



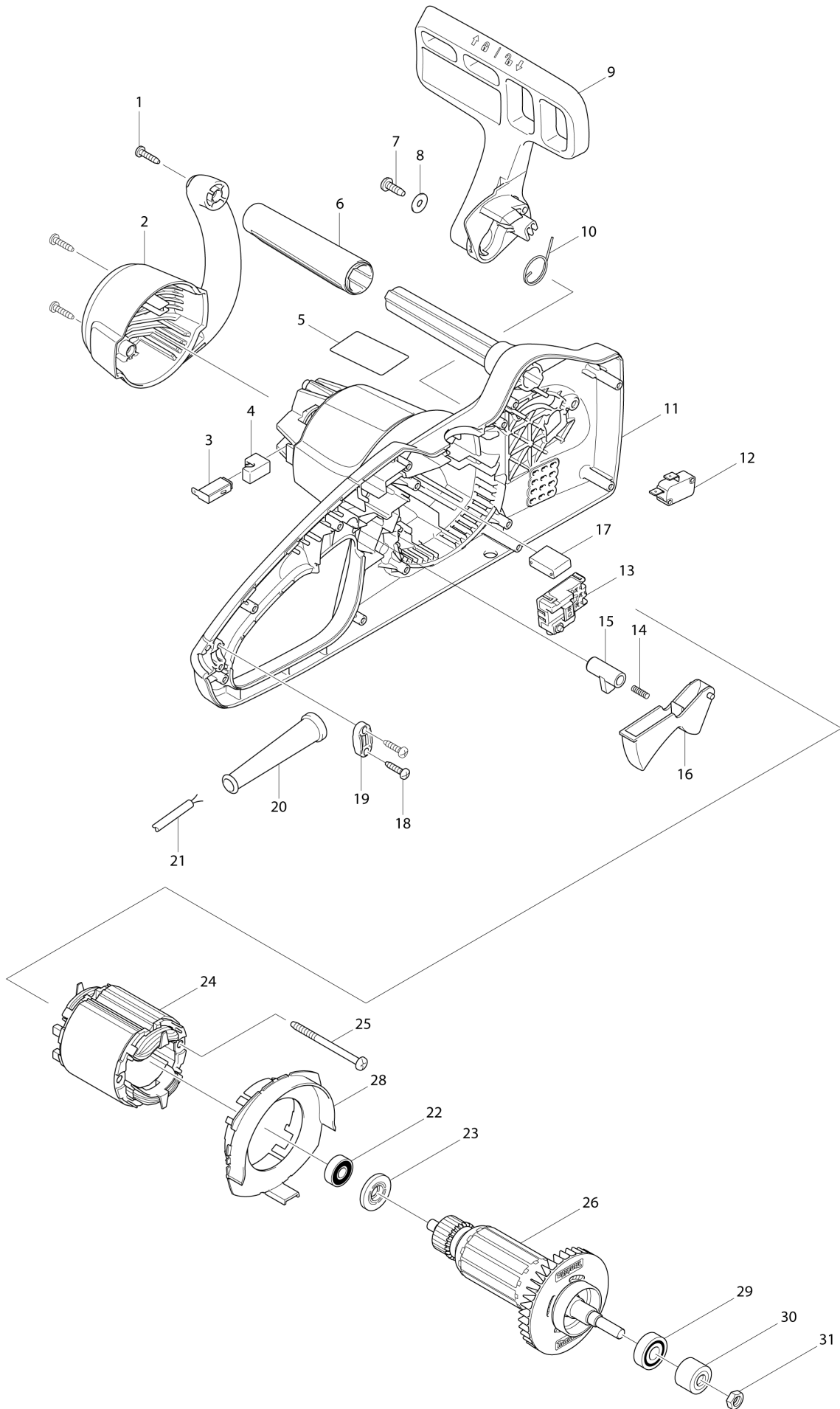
DE	GERMANY
----	---------

Diagram / Parts List

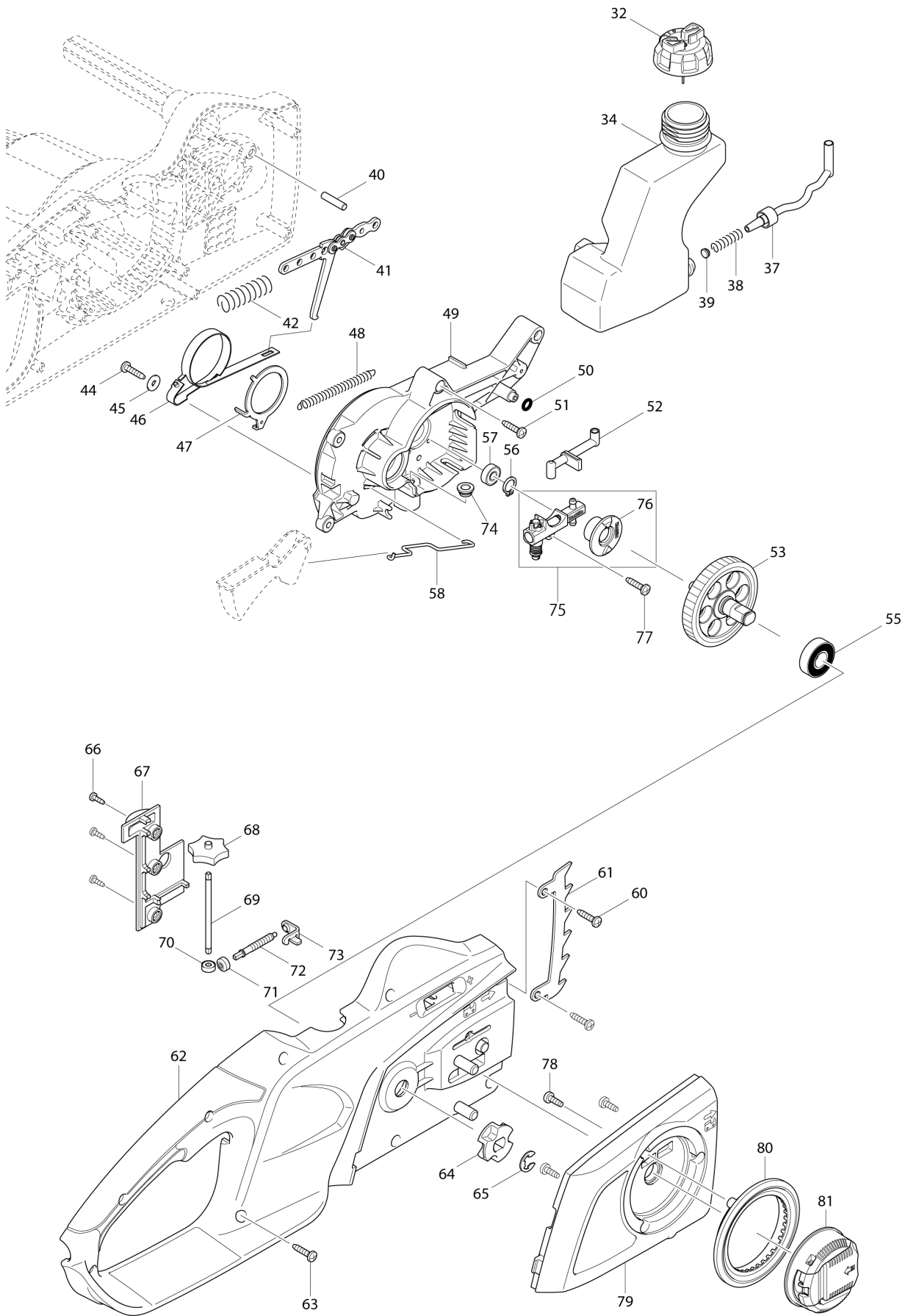
ES39TLC

350MM ELECTRIC CHAIN SAW

(DE) ES39TLC / 350MM ELECTRIC CHAIN SAW



(DE) ES39TLC / 350MM ELECTRIC CHAIN SAW



DE	GERMANY
-----------	----------------

ES39TLC / 350MM ELECTRIC CHAIN SAW

Item	Sub	Parts No.	Parts Description	Qty	I/C	E/C No.	Close No.	Remark
001		266326-2	TAPPING SCREW 4X18	3				
002		454725-2	REAR COVER	1				
003		191972-1	CARBON BRUSH CB-132	1				
004		682211-5	RUBBER SLEEVE	2				
005		815A84-9	ES-39 TLC NAME PLATE	1				
006		424600-6	FRONT GRIP	1				
007		266388-0	TAPPING SCREW 5X16	1				
008		253807-5	FLAT WASHER 5	1				
009		142279-8	FRONT HAND GUARD COMPLETE	1				
	C10	802K54-7	INDICATION LABEL	1				
010		231640-5	TORSION SPRING 20	1				
011		187784-8	HOUSING SET	1				
	C10	802G51-9	CAUTION LABEL	1				
	D10		INC. 62					
012		650577-1	SWITCH SD-006-BB2AA-AA	1				
013		650716-3	SWITCH TGC31B	1				
014		233173-6	COMPRESSION SPRING 4	1			D9875	
014-1		233194-8	COMPRESSION SPRING 4	1	O	D9875		
015		416178-3	LOCK-OFF BUTTON	1			DC429	
015-1		413B17-0	LOCK OFF BUTTON	1	<	DC429		
016		455185-1	SWITCH LEVER	1				
017		645149-5	NOISE SUPPRESSOR	1				
018		266326-2	TAPPING SCREW 4X18	2				
019		687124-5	STRAIN RELIEF	1				
020		682540-6	CORD GUARD 9.3-90	1				
021		665876-8	POWER SUPPLY CORD 1.0-2-0.6	1				
022		210029-0	BALL BEARING 608ZZ	1				
023		681644-1	INSULATION WASHER	1				
024B		594538-0	FIELD ASS'Y 220-240V	1			A8421	
	C10	654069-2	RECEPTACLE	2			A8421	
	C20	654208-4	RECEPTACLE	1			A8421	
024-1B		593869-4	FIELD ASS'Y 220-240V	1	O	A8421	DG723	
	C10	654069-2	RECEPTACLE	2		A8421	DG723	
	C20	654208-4	RECEPTACLE	1		A8421	DG723	
024-1C		593869-4	FIELD ASS'Y 220-240V	1			DG723	
	C10	654069-2	RECEPTACLE	2			DG723	
	C20	654208-4	RECEPTACLE	1			DG723	
024-1D		593869-4	FIELD ASS'Y 220-240V	1			DG723	
	C10	654069-2	RECEPTACLE	2			DG723	
	C20	654208-4	RECEPTACLE	1			DG723	
024-2B		590103-3	FIELD ASS'Y 220-240V	1	O	DG723	Z52117	
	C10	654086-2	RECEPTACLE	2		DG723	Z52117	
	C20	654199-9	RECEPTACLE	1		DG723	Z52117	
024-2C		590103-3	FIELD ASS'Y 220-240V	1	O	DG723		
	C10	654086-2	RECEPTACLE	2		DG723		
	C20	654199-9	RECEPTACLE	1		DG723		
024-2D		590103-3	FIELD ASS'Y 220-240V	1	O	DG723	Z52117	
	C10	654086-2	RECEPTACLE	2		DG723	Z52117	
	C20	654199-9	RECEPTACLE	1		DG723	Z52117	
024-3B		593869-4	FIELD ASS'Y 220-240V	1	O	Z52117		
	C10	654069-2	RECEPTACLE	2		Z52117		
	C20	654208-4	RECEPTACLE	1		Z52117		
024-3D		593869-4	FIELD ASS'Y 220-240V	1	O	Z52117		
	C10	654069-2	RECEPTACLE	2		Z52117		
	C20	654208-4	RECEPTACLE	1		Z52117		
025		266389-8	TAPPING SCREW 5X70	2				
026		513893-1	ARMATURE ASS'Y 220-240V	1			DD955	
	D10		INC. 22,23,29				DD955	
026-1		511A83-6	ARMATURE ASS'Y 220-240V	1	S	DD955		
	D10		INC. 22,23,29			DD955		
028		419238-0	BAFFLE PLATE	1				
029		211061-7	BALL BEARING 6000LLB	1				
030		227153-2	SPUR GEAR 12	1				
031		931403-6	HEX. NUT M8	1				
032		142282-9	TANK CAP COMPLETE	1				

B:ES39TLC(H)
C:ES39TLC2C(H)
D:ES39TLCX1(H)

Interchange
O : Yes
X : No
< : the new part can be substituted for the current.
> : the current part can be substituted for the new.
S : Interchangeable as a set.

DE	GERMANY
-----------	----------------

ES39TLC / 350MM ELECTRIC CHAIN SAW

Item	Sub	Parts No.	Parts Description	Qty	I/C	E/C No.	Close No.	Remark
034		454729-4	OIL TANK	1				
037		424602-2	OIL TUBE	1				
038		231975-4	SPRING	1				
039		416274-7	CAP	1				
040		268238-5	PIN 5	1				
041		158047-9	LINK PLATE COMPLETE	1				
042		233175-2	COMPRESSION SPRING 9	1				
044B		266326-2	TAPPING SCREW 4X18	1			C1478	
044C		266326-2	TAPPING SCREW 4X18	1			C1478	
044-1B		265620-9	TAPPING SCREW FLANGE 4X18	1	S	C1478		
044-1C		265620-9	TAPPING SCREW FLANGE 4X18	1	S	C1478		
044-1D		265620-9	TAPPING SCREW FLANGE 4X18	1				
045B		267195-4	FLAT WASHER 4	1			C1478	
045C		267195-4	FLAT WASHER 4	1			C1478	
046		168321-7	BRAKE BAND	1				
047		346739-4	BRAKE RING	1				
048		231817-2	TENSION SPRING 5	1				
049		454720-2	BEARING HOUSING	1			DD955	
049-1		413J59-2	BEARING HOUSING	1	S	DD955		
050		213017-6	O RING 6	1				
051		266326-2	TAPPING SCREW 4X18	4				
052		424601-4	CONNECTOR	1				
053		135615-5	SPUR GEAR 43 ASS'Y	1				
055		210106-8	BALL BEARING 6001LLB	1				
056		961006-2	RETAINING RING S-10	1				
057		210033-9	BALL BEARING 696ZZ	1				
058		326359-0	ROD	1				
060		266326-2	TAPPING SCREW 4X18	2				
061		345651-5	SPIKE BUMPER	1				
062		187784-8	HOUSING SET	1				
	C10	802G51-9	CAUTION LABEL	1				
	D10		INC. 11					
063		266326-2	TAPPING SCREW 4X18	7				
064		221526-1	SPROCKET	1				
065		259036-8	STOP RING E-8	1				
066		266007-8	TAPPING SCREW BIND PT 3X10	3				
067		454727-8	TENSION COVER	1				
068		454726-0	DIAL 30	1				
069		326360-5	SHAFT	1				
070		227496-2	STRAIGHT BEVEL GEAR 14	1				
071		227496-2	STRAIGHT BEVEL GEAR 14	1				
072		324620-9	ADJUST SCREW	1				
073B		346740-9	TENSION SLIDE	1			A5831	
073-1B		346859-4	TENSION SLIDE	1	<	A5831		
073-1C		346859-4	TENSION SLIDE	1				
073-1D		346859-4	TENSION SLIDE	1				
074		424603-0	GROMMET	1				
075B		196419-0	OIL PUMP SET	1			A5303	
	D10		INC. 76				A5303	
075-1B		142156-4	OIL PUMP COMPLETE	1	<	A5303	D4444	
075-1C		142156-4	OIL PUMP COMPLETE	1			D4444	
075-1D		142156-4	OIL PUMP COMPLETE	1			D4444	
075-2		142156-4	OIL PUMP COMPLETE	1	O	D4444		
076		221427-3	WORM GEAR	1				
077		266326-2	TAPPING SCREW 4X18	1				
078		266427-6	TAPPING SCREW 4X12	3				
079		142281-1	SPROCKET COVER COMPLETE	1				
	C10	802E36-3	INDICATION LABEL	1				
080		454728-6	COVER	1				
081		142235-8	NUT COMPLETE	1				
082		804G74-3	SOUND 104DB LABEL	1				
A01		158024-1	HOOK COMPLETE	1				
A02		165427-2	GUIDE BAR 14	1			D1788	
A02-1		165427-2	GUIDE BAR 14	1	O	D1788		
A03		419289-3	CHAIN COVER	1				

B:ES39TLC(H)
C:ES39TLC2C(H)
D:ES39TLCX1(H)

Interchange
O : Yes
X : No
< : the new part can be substituted for the current.
> : the current part can be substituted for the new.
S : Interchangeable as a set.

