



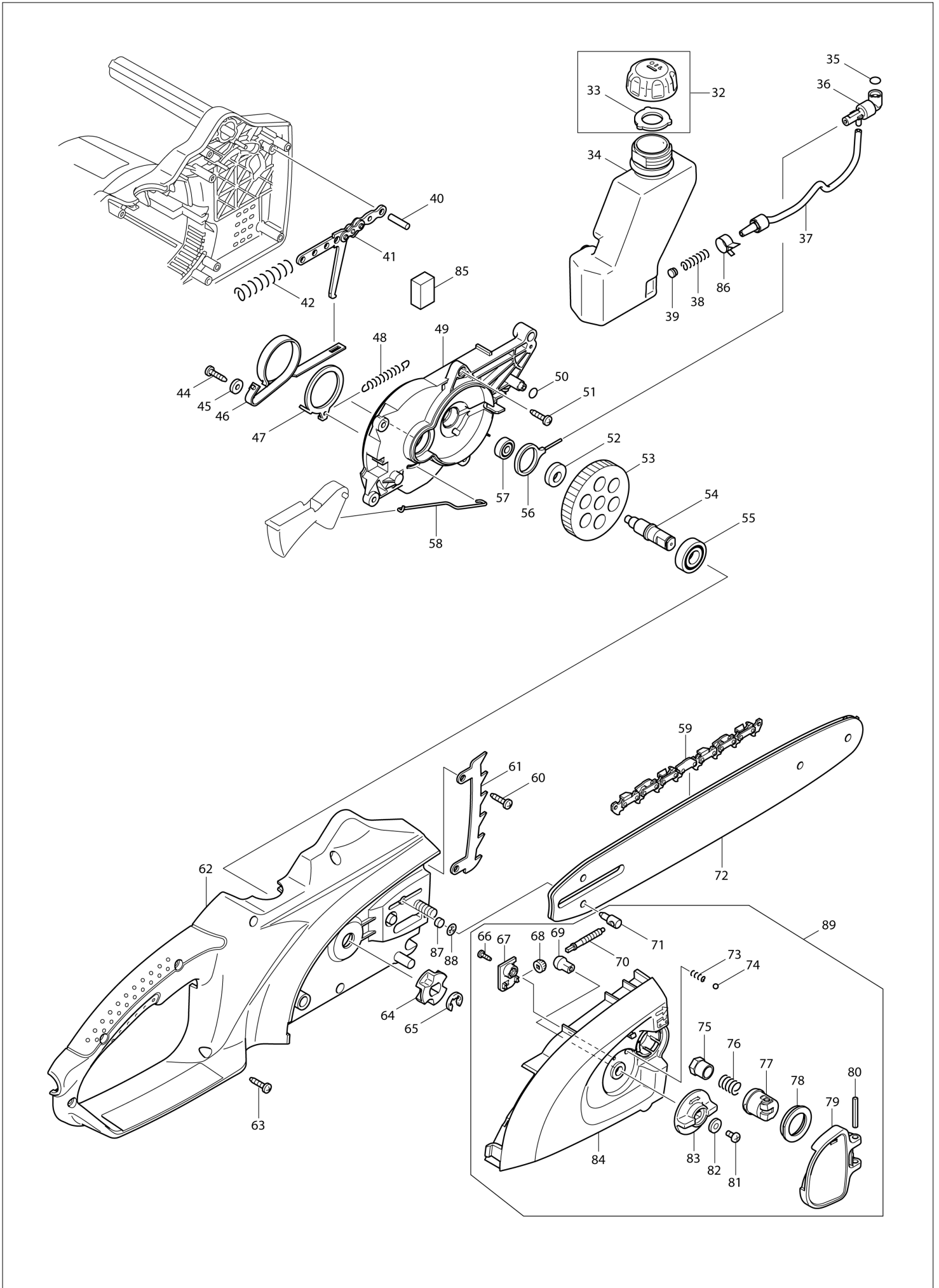
DE	GERMANY
----	---------

# Diagram / Parts List

**ES-42A**

**CHAIN SAW 400MM**





<b>DE</b>	<b>GERMANY</b>
-----------	----------------

**ES-42A / CHAIN SAW 400MM**

Item	Sub	Parts No.	Parts Description	Qty	I/C	E/C No.	Close No.	Remark
001		266326-2	TAPPING SCREW 4X18	3				
002		419234-8	REAR COVER	1			86644	
002-1		419234-8	REAR COVER	1	O	86644		
003		191972-1	CARBON BRUSH CB-132	1				
004		682211-5	RUBBER SLEEVE	2				
005		862621-4	ES-42A NAME PLATE	1				
006		421938-0	FRONT GRIP	1				
007		266388-0	TAPPING SCREW 5X16	1				
008		267189-9	FLAT WASHER 5	1				
009		419235-6	FRONT HAND GUARD	1				
010		231640-5	TORSION SPRING 20	1				
011		188090-4	HOUSING SET	1				
	C10	810866-8	CAUTION LABEL	1				
	D10		INC. 62					
012		650577-1	SWITCH SD-006-BB2AA-AA	1				
013		651922-3	SWITCH TG71B	1				
014		233173-6	COMPRESSION SPRING 4	1				
015		416178-3	LOCK-OFF BUTTON	1				
016		416708-0	SWITCH LEVER	1				
017		645200-1	NOISE SUPPRESSOR	1				
018		266326-2	TAPPING SCREW 4X18	2				
019		687052-4	STRAIN RELIEF	1			A0944	
019-1		687124-5	STRAIN RELIEF	1	O	A0944		
020		682540-6	CORD GUARD 9.3-90	1				
021		665876-8	POWER SUPPLY CORD 1.0-2-0.6	1				
022		210029-0	BALL BEARING 608ZZ	1				
023		681644-1	INSULATION WASHER	1				
024		594538-0	FIELD ASS'Y 220-240V	1			A8421	
	C10	654069-2	RECEPTACLE	2			A8421	
	C20	654208-4	RECEPTACLE	1			A8421	
024-1		593869-4	FIELD ASS'Y 220-240V	1	O	A8421		
	C10	654069-2	RECEPTACLE	2		A8421	DJ070	
	C11	654086-2	RECEPTACLE	2	O	DJ070		
	C20	654208-4	RECEPTACLE	1		A8421		
025		266389-8	TAPPING SCREW 5X70	2				
026		513643-4	ARMATURE ASS'Y 220-240V	1			78462	
	D10		INC. 22,23				78462	
026-1		513713-9	ARMATURE ASS'Y 220-240V	1	O	78462		
	D10		INC. 22,23,29			78462		
028		419238-0	BAFFLE PLATE	1				
029		211061-7	BALL BEARING 6000LLB	1				
030		227153-2	SPUR GEAR 12	1				
031		931403-6	HEX. NUT M8	1				
032		286274-9	CAP	1			Y05589	
032-1		135414-5	CAP ASS'Y	1	<	Y05589		
	D10		INC. 33			Y05589		
033		421934-8	PACKING	1				
034		419240-3	OIL TANK	1				
035		213039-6	O RING 6	1			76107	
035-1		213039-6	O RING 6	1		78611		
036		154762-3	OIL PUMP COMPLETE	1			78269	
036-1		158390-6	OIL PUMP COMPLETE	1	<	78269	78611	
036-2		158435-0	OIL PUMP COMPLETE	1	S	78611	82568	
036-3		158942-3	OIL PUMP COMPLETE	1	S	82568	97386	
036-4		142001-3	OIL PUMP COMPLETE	1	<	97386		
037		421935-6	OIL TUBE	1				
038		231975-4	SPRING	1				
039		416274-7	CAP	1				
040		256021-2	PIN 5	1				
041		158047-9	LINK PLATE COMPLETE	1				
042		233175-2	COMPRESSION SPRING 9	1				
044		266326-2	TAPPING SCREW 4X18	1				
045		267195-4	FLAT WASHER 4	1				
046		168321-7	BRAKE BAND	1				
047		344688-9	BRAKE RING	1				

A:ES-42A(H)

Interchange  
O : Yes  
X : No  
< : the new part can be substituted for the current.  
> : the current part can be substituted for the new.  
S : Interchangeable as a set.

