



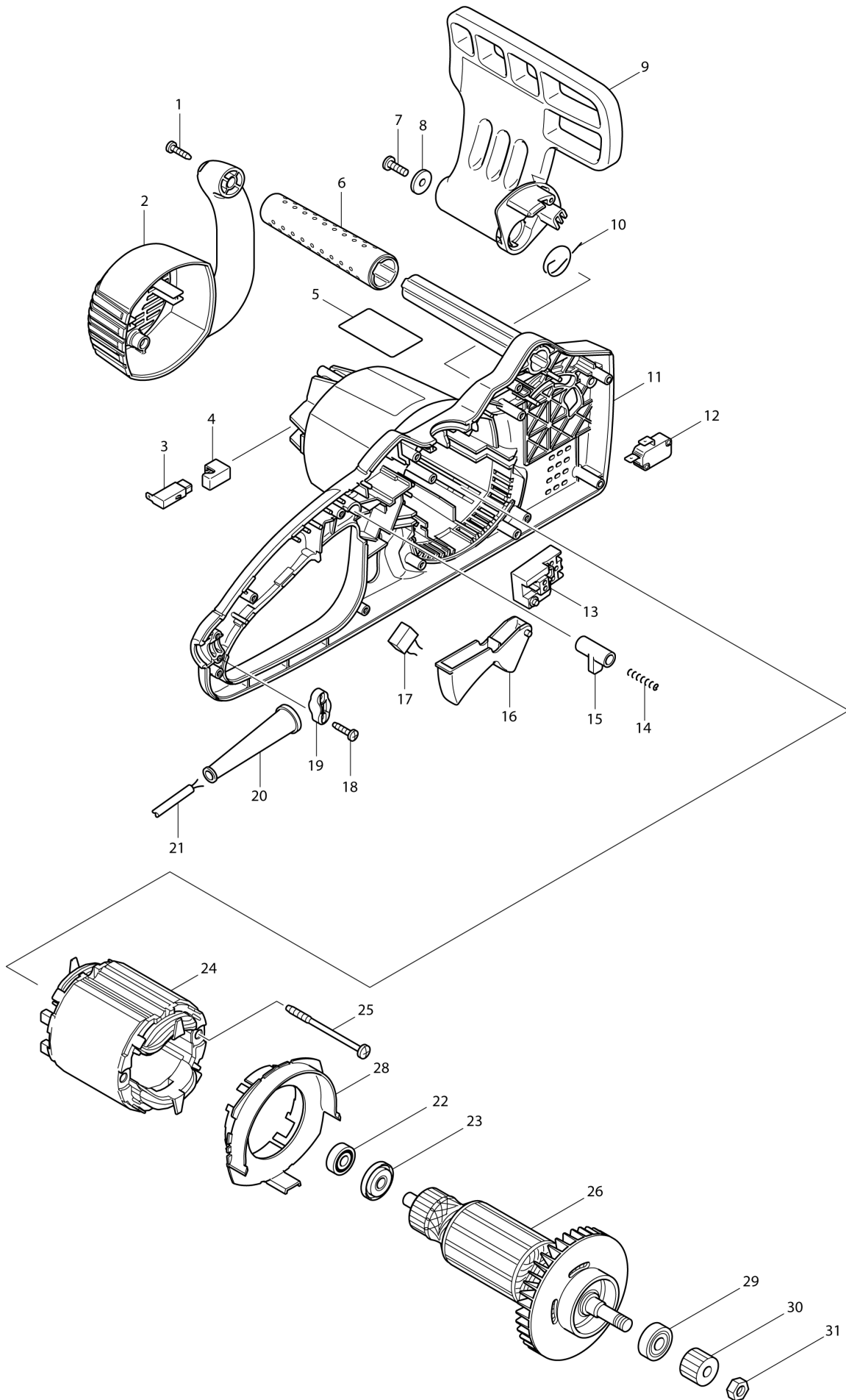
DE

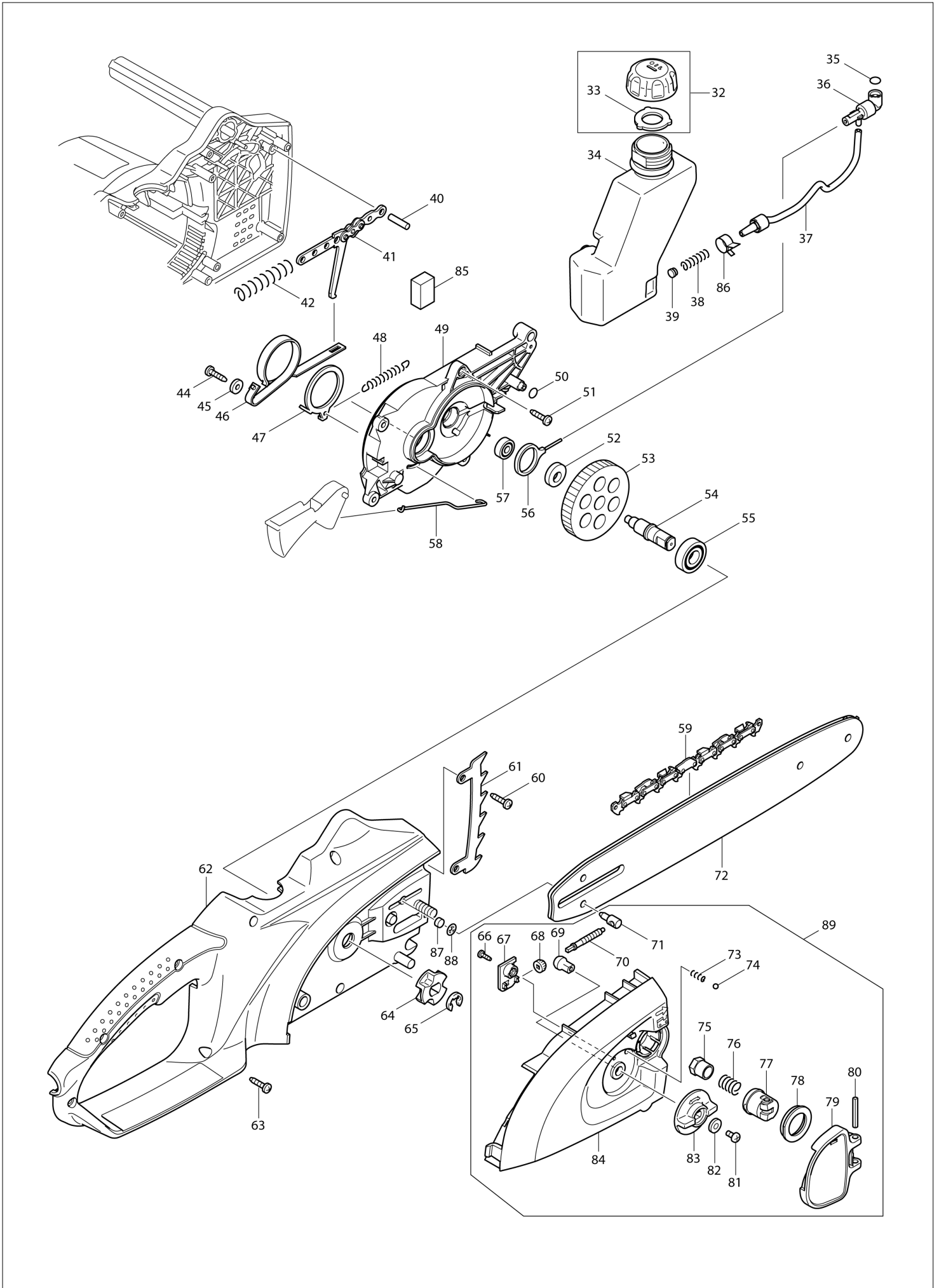
GERMANY

Diagram / Parts List

ES-38A

CHAIN SAW 350MM





DE	GERMANY
-----------	----------------

ES-38A / CHAIN SAW 350MM

Item	Sub	Parts No.	Parts Description	Qty	I/C	E/C No.	Close No.	Remark
001		266326-2	TAPPING SCREW 4X18	3				
002		419234-8	REAR COVER	1			86644	
002-1		419234-8	REAR COVER	1	O	86644		
003		191972-1	CARBON BRUSH CB-132	1				
004		682211-5	RUBBER SLEEVE	2				
005		862620-6	ES-38A NAME PLATE	1				
006		421938-0	FRONT GRIP	1				
007		266388-0	TAPPING SCREW 5X16	1				
008		267189-9	FLAT WASHER 5	1				
009		419235-6	FRONT HAND GUARD	1				
010		231640-5	TORSION SPRING 20	1				
011		188090-4	HOUSING SET	1				
	C10	810866-8	CAUTION LABEL	1				
	D10		INC. 62					
012		650577-1	SWITCH SD-006-BB2AA-AA	1				
013		651922-3	SWITCH TG71B	1				
014		233173-6	COMPRESSION SPRING 4	1				
015		416178-3	LOCK-OFF BUTTON	1				
016		416708-0	SWITCH LEVER	1				
017		645200-1	NOISE SUPPRESSOR	1				
018		266326-2	TAPPING SCREW 4X18	2				
019		687052-4	STRAIN RELIEF	1			A0944	
019-1		687124-5	STRAIN RELIEF	1	O	A0944		
020		682540-6	CORD GUARD 9.3-90	1				
021		665876-8	POWER SUPPLY CORD 1.0-2-0.6	1				
022		210029-0	BALL BEARING 608ZZ	1				
023		681644-1	INSULATION WASHER	1				
024		594538-0	FIELD ASS'Y 220-240V	1			A8421	
	C10	654069-2	RECEPTACLE	2			A8421	
	C20	654208-4	RECEPTACLE	1			A8421	
024-1		593869-4	FIELD ASS'Y 220-240V	1	O	A8421		
	C10	654069-2	RECEPTACLE	2		A8421	DJ070	
	C11	654086-2	RECEPTACLE	2	O	DJ070		
	C20	654208-4	RECEPTACLE	1		A8421		
025		266389-8	TAPPING SCREW 5X70	2				
026		513643-4	ARMATURE ASS'Y 220-240V	1			78462	
	D10		INC. 22,23				78462	
026-1		513713-9	ARMATURE ASS'Y 220-240V	1	O	78462		
	D10		INC. 22,23,29			78462		
028		419238-0	BAFFLE PLATE	1				
029		211061-7	BALL BEARING 6000LLB	1				
030		227153-2	SPUR GEAR 12	1				
031		931403-6	HEX. NUT M8	1				
032		286274-9	CAP	1			Y05589	
032-1		135414-5	CAP ASS'Y	1	<	Y05589		
	D10		INC. 33			Y05589		
033		421934-8	PACKING	1				
034		419240-3	OIL TANK	1				
035		213039-6	O RING 6	1			76107	
035-1		213039-6	O RING 6	1		78611		
036		154762-3	OIL PUMP COMPLETE	1			78269	
036-1		158390-6	OIL PUMP COMPLETE	1	<	78269	78611	
036-2		158435-0	OIL PUMP COMPLETE	1	S	78611	82568	
036-3		158942-3	OIL PUMP COMPLETE	1	S	82568	97386	
036-4		142001-3	OIL PUMP COMPLETE	1	<	97386		
037		421935-6	OIL TUBE	1				
038		231975-4	SPRING	1				
039		416274-7	CAP	1				
040		256021-2	PIN 5	1				
041		158047-9	LINK PLATE COMPLETE	1				
042		233175-2	COMPRESSION SPRING 9	1				
044		266326-2	TAPPING SCREW 4X18	1				
045		267195-4	FLAT WASHER 4	1				
046		168321-7	BRAKE BAND	1				
047		344688-9	BRAKE RING	1				

A:ES-38A(H)

Interchange
O : Yes
X : No
< : the new part can be substituted for the current.
> : the current part can be substituted for the new.
S : Interchangeable as a set.

DE | **GERMANY****ES-38A / CHAIN SAW 350MM**

Item	Sub	Parts No.	Parts Description	Qty	I/C	E/C No.	Close No.	Remark
048		231817-2	TENSION SPRING 5	1				
049		419236-4	BEARING HOLDER	1			88639	
049-1		452456-7	BEARING HOLDER	1	<	88639		
050		213039-6	O RING 6	1				
051		266326-2	TAPPING SCREW 4X18	4				
052		417405-1	CAM	1				
053		227154-0	SPUR GEAR 43	1				
054		324619-4	SPINDLE	1				
055		210106-8	BALL BEARING 6001LLB	1				
056		416513-5	CRANK	1			78611	
056-1		450230-7	CRANK	1	S	78611		
057		210028-2	BALL BEARING 606ZZ	1				
058		324622-5	ROD	1				
059		528092652	SAW CHAIN 14"	1			Y04777	
059-1		531290052	SAW CHAIN 14"	1	X	Y04777	A3856	
059-2		511291752	SAW CHAIN 3/8LP.043" L52 CC D	1	O	A3856	D1928	
059-3		196741-5	SAW CHAIN SET	1	O	D1928		
060		266326-2	TAPPING SCREW 4X18	2				
061		345651-5	SPIKE BUMPER	1				
062		188090-4	HOUSING SET	1				
	C10	810866-8	CAUTION LABEL	1				
	D10		INC. 11					
063		266326-2	TAPPING SCREW 4X18	7				
064		221526-1	SPROCKET	1				
065		259036-8	STOP RING E-8	1				
066		266007-8	TAPPING SCREW BIND PT 3X10	1				
067		419241-1	COVER	1				
068		227496-2	STRAIGHT BEVEL GEAR 14	1				
069		227495-4	STRAIGHT BEVEL GEAR 14	1				
070		324620-9	ADJUST SCREW	1				
071		324621-7	ADJUST PIN	1				
072		165427-2	GUIDE BAR 14	1			D1788	
072-1		165427-2	GUIDE BAR 14	1	O	D1788		
073		233033-2	COMPRESSION SPRING 4	1				
074		216008-6	STEEL BALL 4	1				
075		252168-0	HEX. NUT M8-13	1				
076		231025-5	COMPRESSION SPRING 8	1				
077		317977-5	LEVER HOLDER	1				
078		419271-2	CUP WASHER 20	1				
079		154763-1	LEVER COMPLETE	1				
080		951122-8	SPRING PIN 4-28	1				
081		915106-0	BINDING HEAD SCREW M4X8	1				
082		253874-0	FLAT WASHER 4	1				
083		419233-0	DIAL 40	1				
084		154761-5	SPROCKET COVER COMPLETE	1				
085		421960-7	SPONGE	1				
086		324685-1	HOSE CLAMP	1				
087		443125-1	FILTER	1			82568	
088		259041-5	PUSH NUT 8	1			82568	
089		135249-4	SPROCKET COVER ASS'Y	1		Y05905		
	D10		INC. 66-71,73-84			Y05905		
A01		158024-1	HOOK COMPLETE	1				
A02		419289-3	CHAIN COVER	1				
A03		803914-0	ES-38A CARTON LABEL	1				

A:ES-38A(H)

Interchange
O : Yes
X : No
< : the new part can be substituted for the current.
> : the current part can be substituted for the new.
S : interchangeable as a set.