



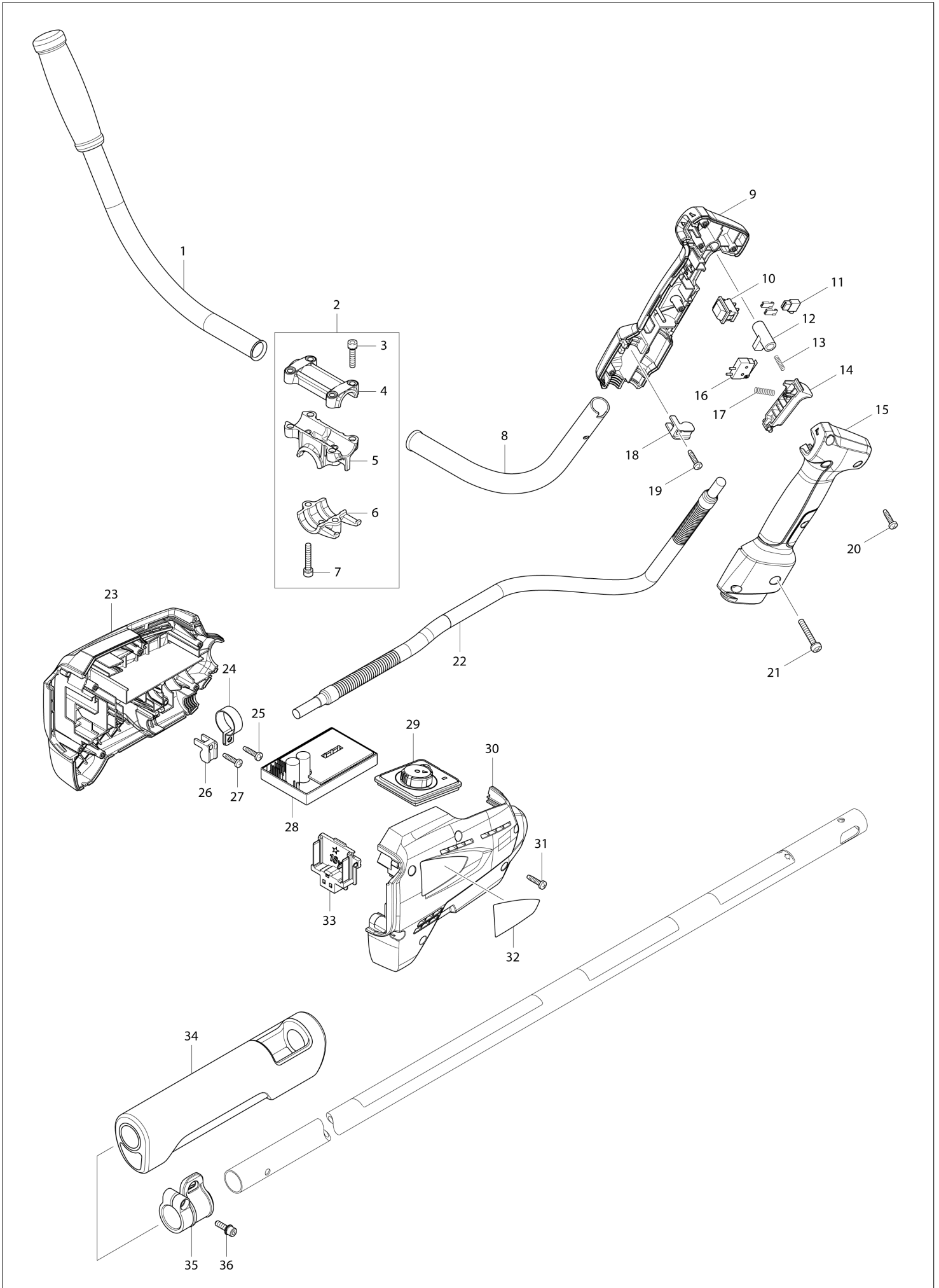
DE	GERMANY
----	---------

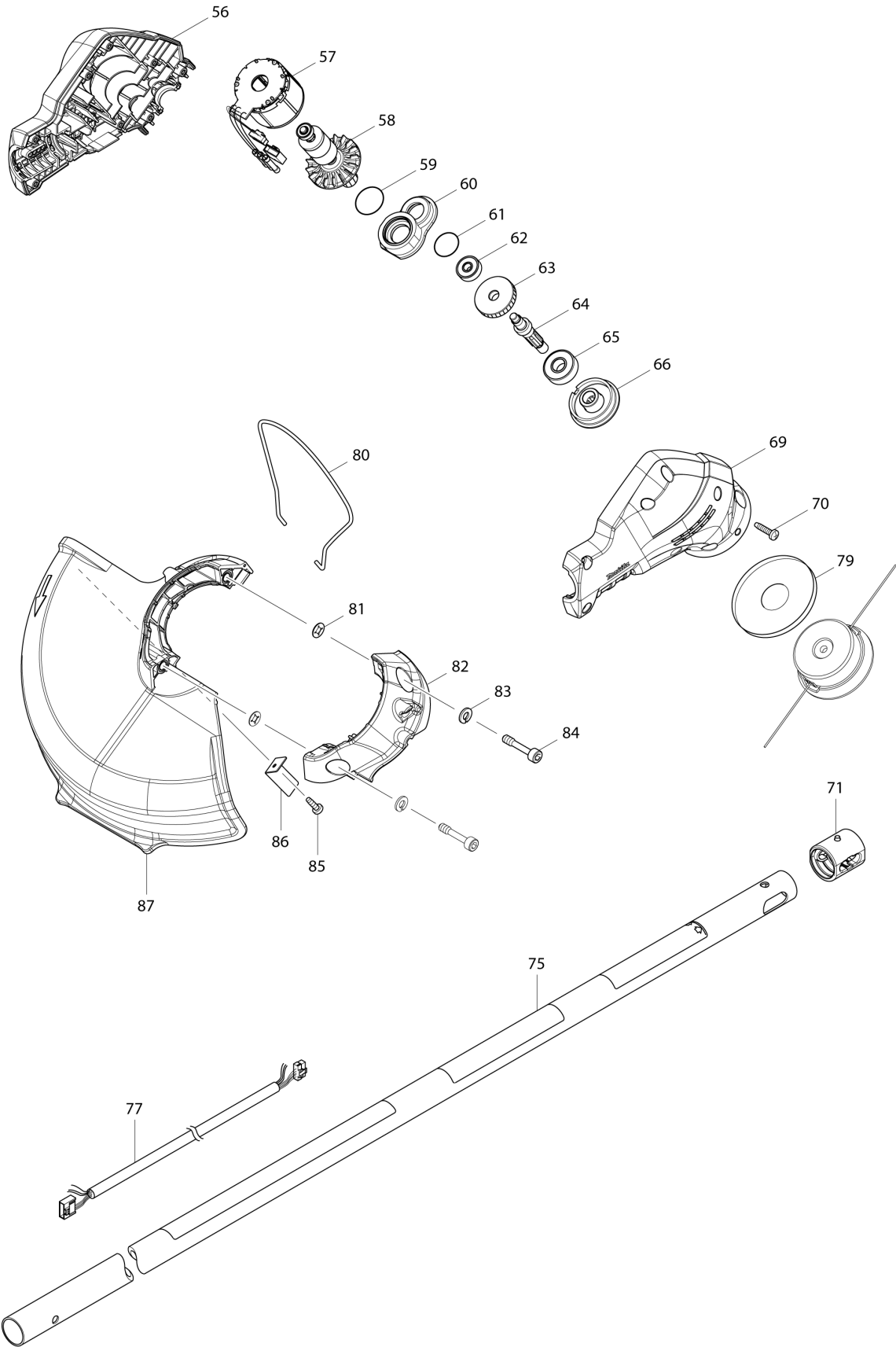
Diagram / Parts List

AT1831U

CORDLESS GRASS TRIMMER

(DE) AT1831U / CORDLESS GRASS TRIMMER





DE	GERMANY
-----------	----------------

AT1831U / CORDLESS GRASS TRIMMER

Item	Sub	Parts No.	Parts Description	Qty	I/C	E/C No.	Close No.	Remark
001		158659-8	HANDLE COMPLETE	1				
	C10	273526-7	GRIP 18	1				
002		135395-3	HANDLE HOLDER ASS'Y	1				
	D10		INC. 3-7					
003		922241-7	HEX. SOCKET HEAD BOLT M5X25	4				
004		318272-6	HANDLE HOLDER 1	1				
005		318273-4	HANDLE HOLDER 2	1				
006		318274-2	HANDLE HOLDER 3	1				
007		922251-4	HEX. SOCKET HEAD BOLT M5X30	2				
008		332068-1	HANDLE 19	1				
009		187587-0	MAIN GRIP SET	1				
	D10		INC. 15					
010		651533-4	SWITCH SLE6A2-33	1				
011		686015-7	RECEPTACLE SLEEVE	1				
012		454298-5	LOCK OFF BUTTON	1				
013		233114-2	COMPRESSION SPRING 4	1				
014		454295-1	SWITCH LEVER	1				
015		187587-0	MAIN GRIP SET	1				
	D10		INC. 9					
016		650704-0	SWITCH D2SW-P01L1-3M	1				
017		234003-4	COMPRESSION SPRING 5	1				
018		687261-5	STRAIN RELIEF	1				
019		265995-6	TAPPING SCREW 4X18	1				
020		265995-6	TAPPING SCREW 4X18	5				
021		911256-9	PAN HEAD SCREW M5X35	1				
022		699060-3	POWER SUPPLY CORD UNIT	1				
023		187666-4	HOUSING SET	1				
	C10	263005-3	RUBBER PIN 6	2				
	D10		INC. 30					
024		346248-3	CLAMP 24	1				
025		265995-6	TAPPING SCREW 4X18	1				
026		687261-5	STRAIN RELIEF	1				
027		265995-6	TAPPING SCREW 4X18	1				
028		620196-7	CONTROLLER A	1				
029		142134-4	SUB CONTROLLER COMPLETE	1				
030		187666-4	HOUSING SET	1				
	C10	263005-3	RUBBER PIN 6	2				
	D10		INC. 23					
031		265995-6	TAPPING SCREW 4X18	6				
032		815M98-0	AT-1831 U NAME PLATE	1				
033		644808-8	TERMINAL	1				
034		424463-0	CUSHION	1				
035		168478-4	HANGER	1				
036		922228-9	H.S.H.BOLT M5X18 WITH WR	1				
056		187641-0	MOTOR HOUSING SET	1				
	D10		INC. 69					
057		629985-7	STATOR	1				
058		619324-9	ROTOR	1				
059		213961-7	O RING 22	1			A4618	
059-1		213373-4	O RING 22	1	O	A4618		
060		318978-6	BEARING BOX	1				
061		213325-5	O RING 19	1				
062		210022-4	BALL BEARING 626DDW	1			B0510	
062-1		210143-2	BALL BEARING 626ZZ	1	O	B0510		
063		227773-2	HELICAL GEAR 31	1				
064		326275-6	CUTTER SHAFT	1				
065		210059-1	BALL BEARING 6000DDW	1				
066		324917-6	RECEIVE WASHER	1			B8271	
066-1		326906-7	RECEIVE WASHER	1	<	B8271		
069		187641-0	MOTOR HOUSING SET	1				
	D10		INC. 56					
070		265995-6	TAPPING SCREW 4X18	8				
071		424567-8	RUBBER SLEEVE 24	1				
075		142250-2	PIPE COMPLETE	1				
	C10	898861-8	CAUTION LABEL	1				

C:AT1831U(N)
D:AT1831UL(H)

Interchange
O : Yes
X : No
< : the new part can be substituted for the current.
> : the current part can be substituted for the new.
S : Interchangeable as a set.

