



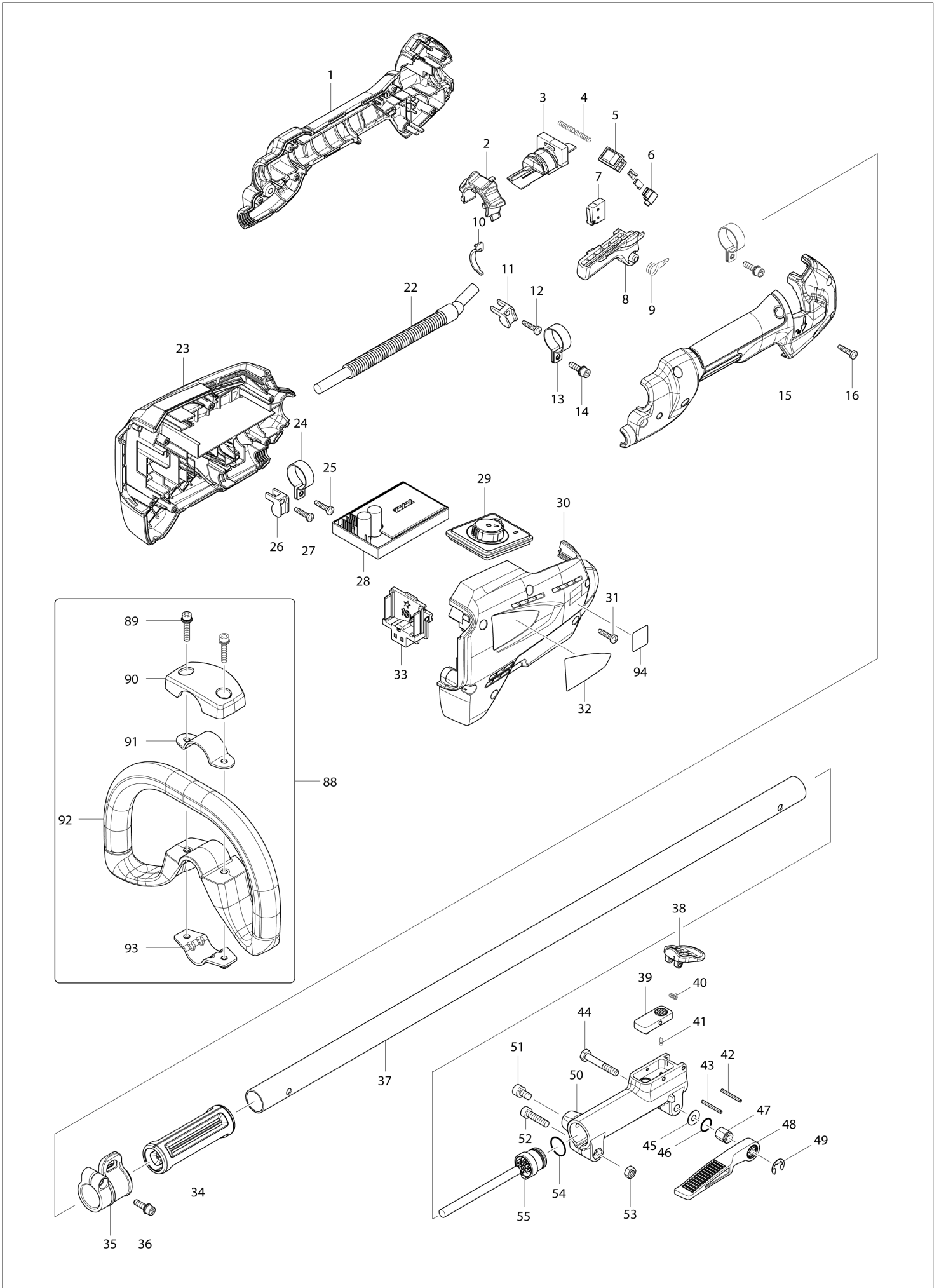
DE	GERMANY
----	---------

Diagram / Parts List

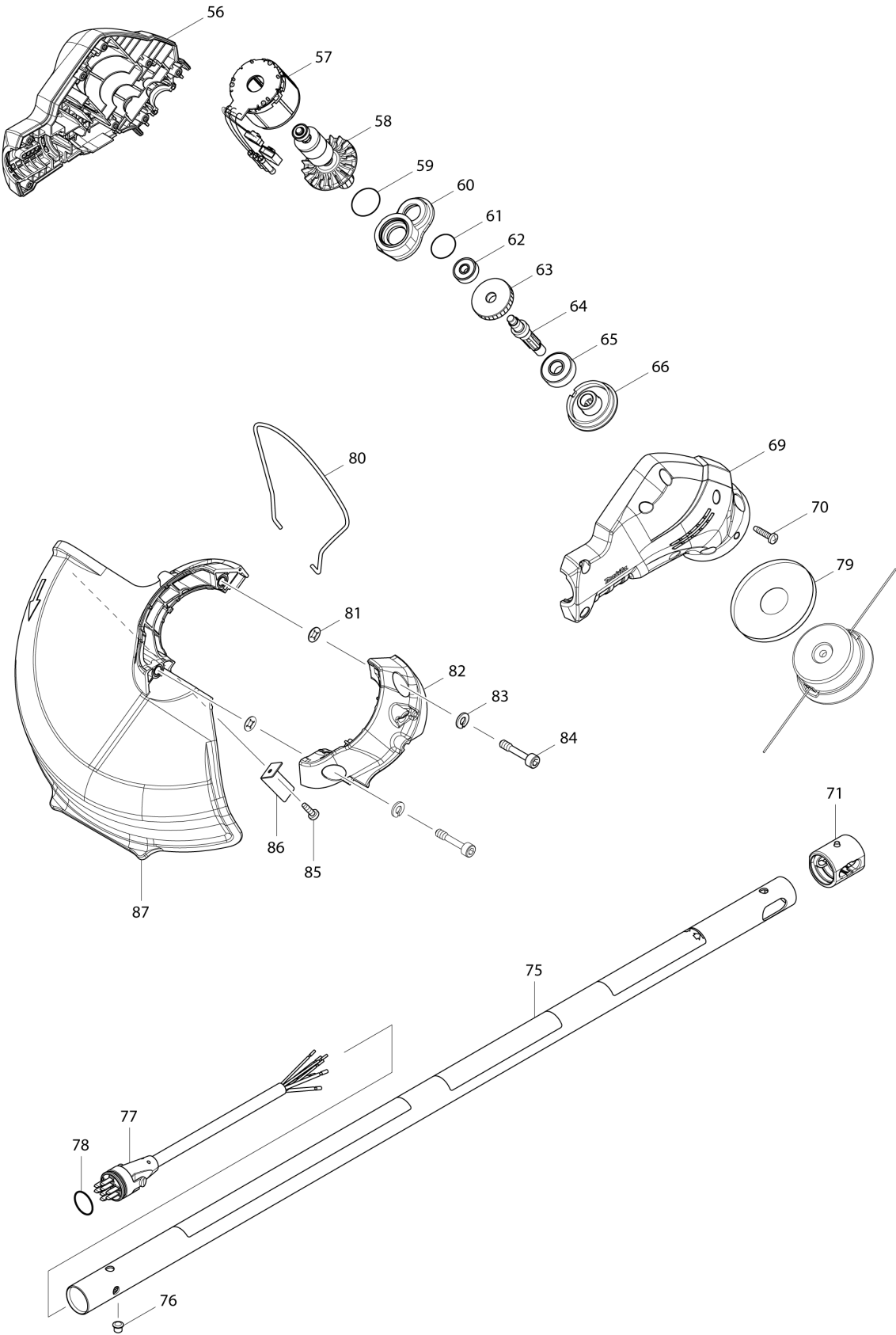
AT1831CD

CORDLESS GRASS TRIMMER

(DE) AT1831CD / CORDLESS GRASS TRIMMER



(DE) AT1831CD / CORDLESS GRASS TRIMMER



DE	GERMANY
-----------	----------------

AT1831CD / CORDLESS GRASS TRIMMER

Item	Sub	Parts No.	Parts Description	Qty	I/C	E/C No.	Close No.	Remark
001		187698-1	GRIP SET	1				
	D10		INC. 15					
002		454737-5	LOCK OFF LEVER	1				
003		454738-3	LEVER BASE	1				
004		234079-1	COMPRESSION SPRING 4	2				
005		651533-4	SWITCH SLE6A2-33	1				
006		686015-7	RECEPTACLE SLEEVE	1				
007		650704-0	SWITCH D2SW-P01L1-3M	1				
008		454736-7	SWITCH LEVER	1				
009		233612-6	TORSION SPRING 10	1				
010		451985-7	LEAD COVER	1				
011		687261-5	STRAIN RELIEF	1				
012		265995-6	TAPPING SCREW 4X18	1				
013		346248-3	CLAMP 24	2				
014		922228-9	H.S.H.BOLT M5X18 WITH WR	2				
015		187698-1	GRIP SET	1				
	D10		INC. 1					
016		265995-6	TAPPING SCREW 4X18	6				
022		699064-5	POWER SUPPLY CORD UNIT	1				
023		187666-4	HOUSING SET	1				
	C10	263005-3	RUBBER PIN 6	2				
	D10		INC. 30					
024		346248-3	CLAMP 24	1				
025		265995-6	TAPPING SCREW 4X18	1				
026		687261-5	STRAIN RELIEF	1				
027		265995-6	TAPPING SCREW 4X18	1				
028		620196-7	CONTROLLER A	1				
029		142134-4	SUB CONTROLLER COMPLETE	1				
030		187666-4	HOUSING SET	1				
	C10	263005-3	RUBBER PIN 6	2				
	D10		INC. 23					
031		265995-6	TAPPING SCREW 4X18	6				
032		814X36-5	AT-1831 CD NAME PLATE	1				
033		644808-8	TERMINAL	1				
034		451601-1	SPACER 24	1				
035		168478-4	HANGER	1				
036		922228-9	H.S.H.BOLT M5X18 WITH WR	1				
037		332069-9	PIPE B	1				
038		454304-6	JOINT COVER	1				
039		454303-8	LOCK LEVER	1				
040		233604-5	TORSION SPRING 3	1				
041		233211-4	COMPRESSION SPRING 2	1				
042		258010-3	SPRING PIN 2.5-25	1				
043		258010-3	SPRING PIN 2.5-25	1				
044		265596-0	HEX.BOLT M6X40	1				
045		253332-6	THIN WASHER 6	1				
046		213105-9	O RING 11	1				
047		252159-1	HEX. NUT M6	1				
048		272268-0	LEVER 94	1				
049		961014-3	STOP RING E-8	1				
050		319089-0	JOINT 24B	1				
051		922311-2	HEX. SOCKET HEAD BOLT M6X12	1				
052		922342-1	HEX. SOCKET HEAD BOLT M6X25	1				
053		931302-2	HEX. NUT M6	1				
054		213275-4	O RING 18	1			B9203	
054-1		213275-4	O RING 18	1	O	B9203		
055		699061-1	POWER SUPPLY CORD UNIT	1				
056		187641-0	MOTOR HOUSING SET	1				
	D10		INC. 69					
057		629985-7	STATOR	1				
058		619324-9	ROTOR	1				
059		213961-7	O RING 22	1			A4618	
059-1		213373-4	O RING 22	1	O	A4618		
060		318978-6	BEARING BOX	1				
061		213325-5	O RING 19	1				

A:
B:

Interchange
O : Yes
X : No
< : the new part can be substituted for the current.
> : the current part can be substituted for the new.
S : Interchangeable as a set.

