



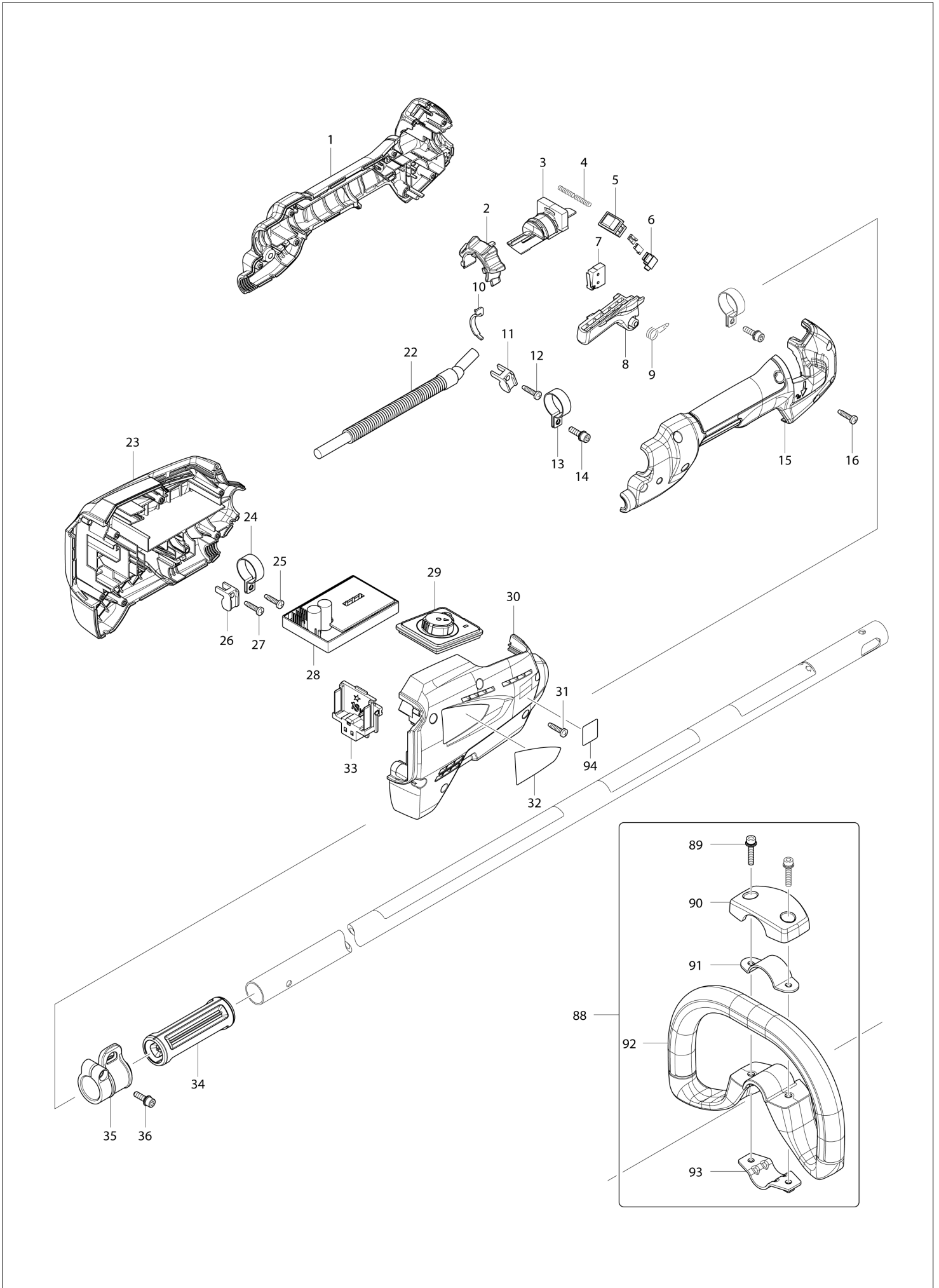
DE	GERMANY
----	---------

# Diagram / Parts List

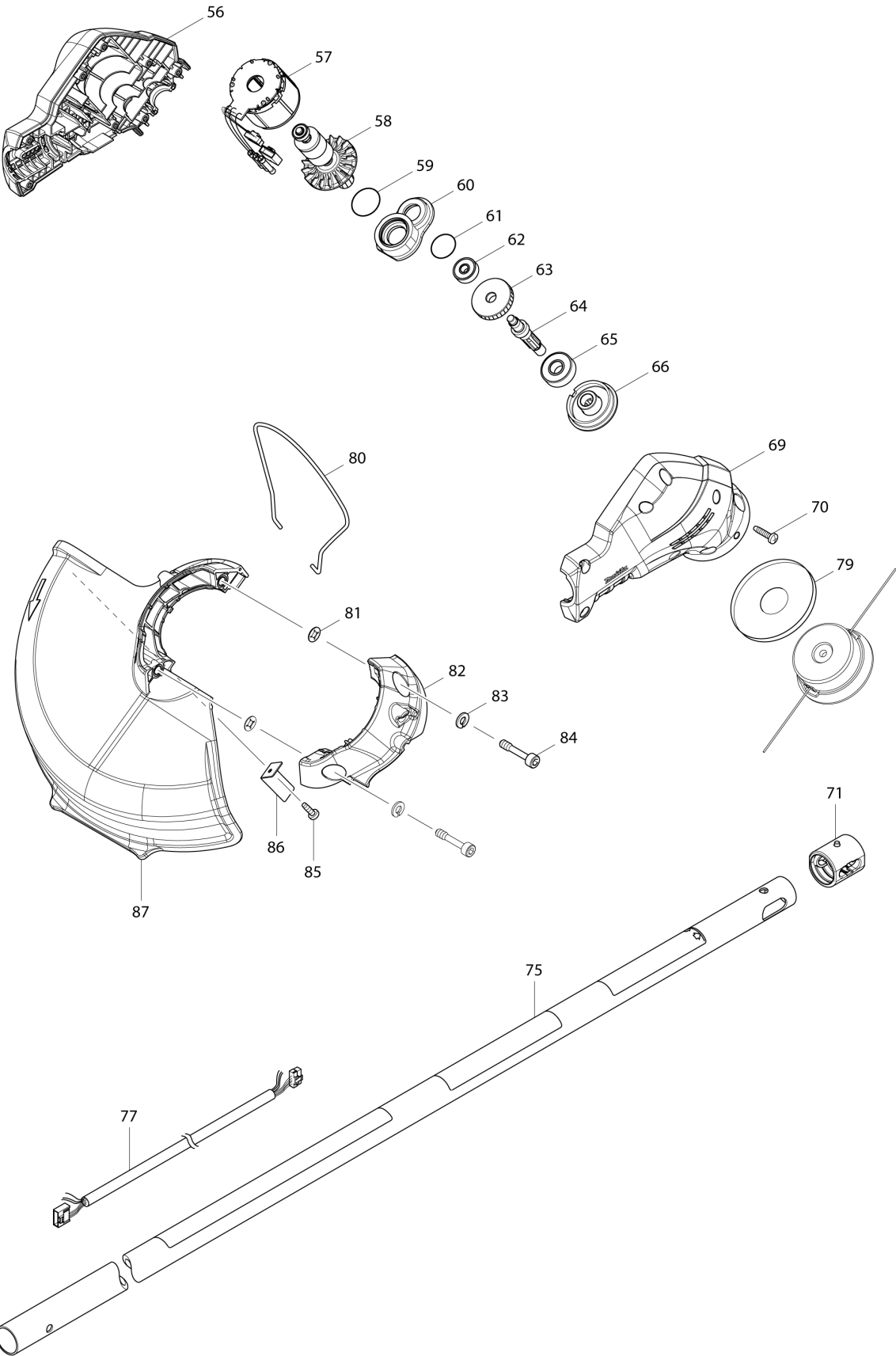
**AT1831C**

**CORDLESS GRASS TRIMMER**

(DE) AT1831C / CORDLESS GRASS TRIMMER



(DE) AT1831C / CORDLESS GRASS TRIMMER



<b>DE</b>	<b>GERMANY</b>
-----------	----------------

### AT1831C / CORDLESS GRASS TRIMMER

Item	Sub	Parts No.	Parts Description	Qty	I/C	E/C No.	Close No.	Remark
001		187698-1	GRIP SET	1				
	D10		INC. 15					
002		454737-5	LOCK OFF LEVER	1				
003		454738-3	LEVER BASE	1				
004		234079-1	COMPRESSION SPRING 4	2				
005		651533-4	SWITCH SLE6A2-33	1				
006		686015-7	RECEPTACLE SLEEVE	1				
007		650704-0	SWITCH D2SW-P01L1-3M	1				
008		454736-7	SWITCH LEVER	1				
009		233612-6	TORSION SPRING 10	1				
010		451985-7	LEAD COVER	1				
011		687261-5	STRAIN RELIEF	1				
012		265995-6	TAPPING SCREW 4X18	1				
013		346248-3	CLAMP 24	2				
014		922228-9	H.S.H.BOLT M5X18 WITH WR	2				
015		187698-1	GRIP SET	1				
	D10		INC. 1					
016		265995-6	TAPPING SCREW 4X18	6				
022		699064-5	POWER SUPPLY CORD UNIT	1				
023		187666-4	HOUSING SET	1				
	C10	263005-3	RUBBER PIN 6	2				
	D10		INC. 30					
024		346248-3	CLAMP 24	1				
025		265995-6	TAPPING SCREW 4X18	1				
026		687261-5	STRAIN RELIEF	1				
027		265995-6	TAPPING SCREW 4X18	1				
028		620196-7	CONTROLLER A	1				
029		142134-4	SUB CONTROLLER COMPLETE	1				
030		187666-4	HOUSING SET	1				
	C10	263005-3	RUBBER PIN 6	2				
	D10		INC. 23					
031		265995-6	TAPPING SCREW 4X18	6				
032		814X30-7	AT-1831 C NAME PLATE	1				
033		644808-8	TERMINAL	1				
034		451601-1	SPACER 24	1				
035		168478-4	HANGER	1				
036		922228-9	H.S.H.BOLT M5X18 WITH WR	1				
056		187641-0	MOTOR HOUSING SET	1				
	D10		INC. 69					
057		629985-7	STATOR	1				
058		619324-9	ROTOR	1				
059		213961-7	O RING 22	1			A4618	
059-1		213373-4	O RING 22	1	O	A4618		
060		318978-6	BEARING BOX	1				
061		213325-5	O RING 19	1				
062		210022-4	BALL BEARING 626DDW	1			B0510	
062-1		210143-2	BALL BEARING 626ZZ	1	O	B0510		
063		227773-2	HELICAL GEAR 31	1				
064		326275-6	CUTTER SHAFT	1				
065		210059-1	BALL BEARING 6000DDW	1				
066		324917-6	RECEIVE WASHER	1			B8271	
066-1		326906-7	RECEIVE WASHER	1	<	B8271		
069		187641-0	MOTOR HOUSING SET	1				
	D10		INC. 56					
070		265995-6	TAPPING SCREW 4X18	8				
071		424567-8	RUBBER SLEEVE 24	1				
075		142250-2	PIPE COMPLETE	1				
	C10	898861-8	CAUTION LABEL	1				
	C20	893388-3	DOLMAR LOGO LABEL	1				
077		699059-8	POWER SUPPLY CORD UNIT	1				
079		346622-5	GUARD	1				
080		326348-5	WIRE GUARD	1				
081		413143-3	WASHER	2				
082		454641-8	PROTECTOR HOLDER	1				
083		942151-2	SPRING WASHER 6	2			C3118	

C:AT1831C(N)  
D:AT1831CL(H)

Interchange  
O : Yes  
X : No  
< : the new part can be substituted for the current.  
> : the current part can be substituted for the new.  
S : Interchangeable as a set.

