



DE	GERMANY
----	---------

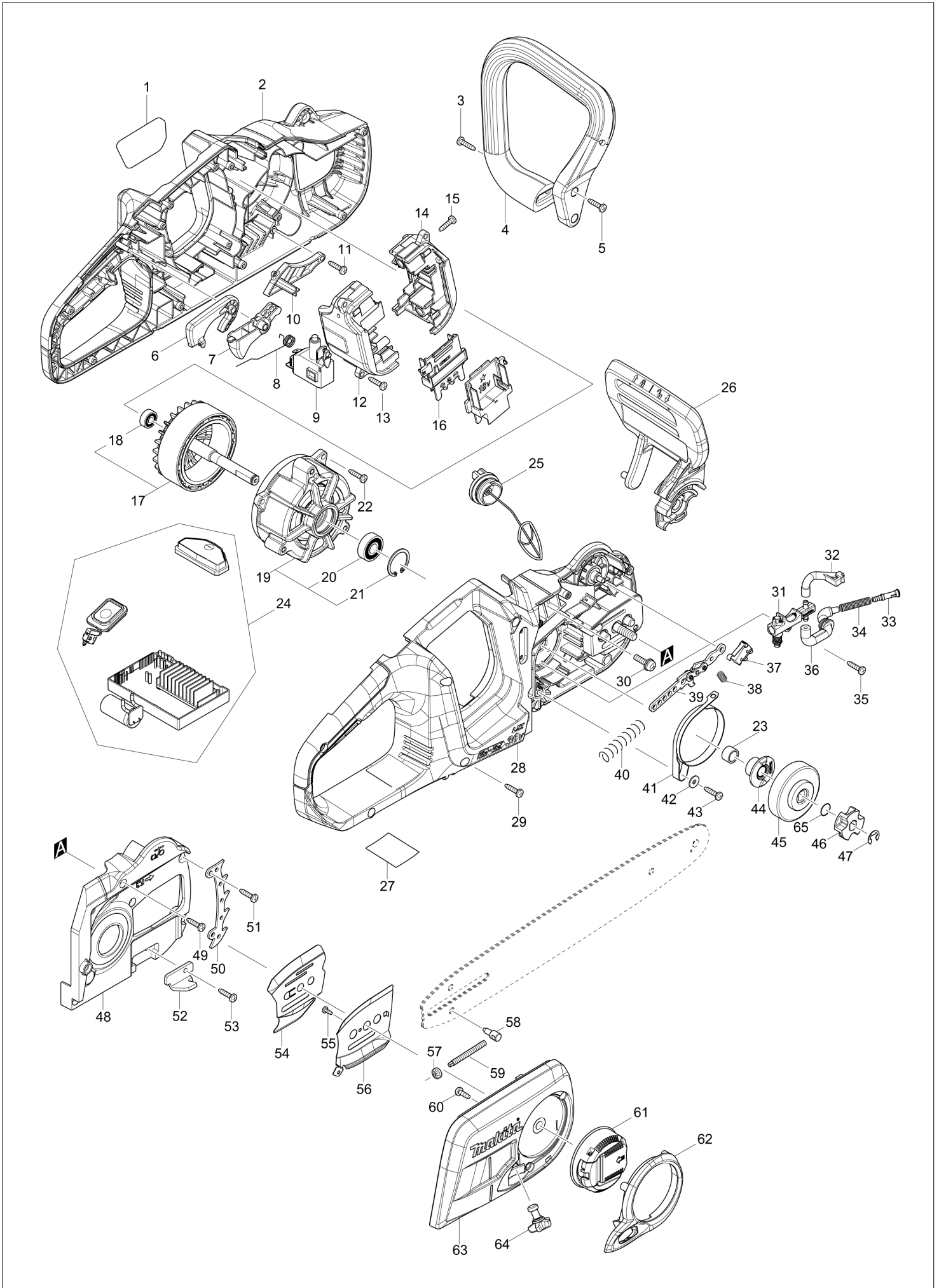
# Diagram / Parts List

**AS3835**

**350MM CORDLESS CHAIN SAW**



(DE) AS3835 / 350MM CORDLESS CHAIN SAW



<b>DE</b>	<b>GERMANY</b>
-----------	----------------

### AS3835 / 350MM CORDLESS CHAIN SAW

Item	Sub	Parts No.	Parts Description	Qty	I/C	E/C No.	Close No.	Remark
001		810R19-7	AS3835 MODEL NO. LABEL	1				
002		183F36-1	HOUSING SET	1			C4667	
	C10	812D15-7	CAUTION LABEL	1			C4667	
	D10		INC. 28				C4667	
002-1		183F36-1	HOUSING SET	1	O	C4667		
	C10	812D15-7	CAUTION LABEL	1		C4667		
	D10		INC. 28			C4667		
003		266326-2	TAPPING SCREW 4X18	2				
004		457007-1	FRONT HANDLE	1				
005		266326-2	TAPPING SCREW 4X18	2				
006		457013-6	CATCH LEVER	1				
007		457006-3	SWITCH LEVER	1				
008		232318-3	TORSION SPRING 10	1				
009		650781-2	SWITCH C3JW-6B-P	1				
010		457010-2	HOUSING L COVER	1				
011		266326-2	TAPPING SCREW 4X18	1				
012		183F15-9	TERMINAL BOX SET	1				
	C10	263005-3	RUBBER PIN 6	4				
	D10		INC. 14					
013		266326-2	TAPPING SCREW 4X18	4				
014		183F15-9	TERMINAL BOX SET	1				
	C10	263005-3	RUBBER PIN 6	4				
	D10		INC. 12					
015		266326-2	TAPPING SCREW 4X18	2				
016		643874-2	TERMINAL	2				
017		519411-3	ROTOR ASS'Y	1				
	D10		INC. 18					
018		210028-2	BALL BEARING 606ZZ	1				
019		592H45-5	STATOR ASS'Y	1			DC599	
	D10		INC. 20,21				DC599	
019-1		590094-8	STATOR ASSY	1	O	DC599		
	D10		INC. 20,21			DC599		
020		210059-1	BALL BEARING 6000DDW	1			DC599	
020-1		210274-7	BALL BEARING 6000DDW	1	O	DC599		
021		962105-3	RETAINING RING R-26	1				
022		266326-2	TAPPING SCREW 4X18	3				
023		257402-3	SLEEVE 10	1				
024		144254-0	CONTROLLER COMPLETE	1			DD978	
024-1		141G22-4	CONTROLLER COMPLETE	1	<	DD978		
025		168399-0	TANKCAP COMPLETE	1			B6909	
025-1		168508-1	TANK CAP COMPLETE	1	O	B6909	DG100	
	C10	213355-6	O-RING 25	1		B6909	DG100	
025-2		162A04-7	TANK CAP COMPLETE	1	O	DG100		
	C11	213A11-4	O-RING 25	1	O	DG100		
026		457022-5	FRONT HAND GUARD	1			B9658	
026-1		458418-3	FRONT HAND GUARD	1	<	B9658		
027		852V66-6	AS3835 NAME PLATE	1				
028		183F36-1	HOUSING SET	1			C4667	
	C10	812D15-7	CAUTION LABEL	1			C4667	
	D10		INC. 2				C4667	
028-1		183F36-1	HOUSING SET	1	O	C4667		
	C10	812D15-7	CAUTION LABEL	1		C4667		
	D10		INC. 2			C4667		
029		266326-2	TAPPING SCREW 4X18	8				
030		911233-1	PAN HEAD SCREW M5X20	3				
031		142156-4	OIL PUMP COMPLETE	1			D4444	
031-1		142156-4	OIL PUMP COMPLETE	1	O	D4444		
032		424904-6	CONNECTOR B	1				
033		452666-6	NIPPLE	1			DA680	
033-1		452666-6	NIPPLE	1	O	DA680		
034		234207-8	COMPRESSION SPRING 6	1			D7808	
034-1		231975-4	SPRING	1	O	D7808		
035		266326-2	TAPPING SCREW 4X18	1				
036		424903-8	CONNECTOR A	1				
037		632H47-0	SWITCH UNIT	1			B9658	

A:AS3835Z(N)

Interchange  
 O : Yes  
 X : No  
 < : the new part can be substituted for the current.  
 > : the current part can be substituted for the new.  
 S : Interchangeable as a set.

