



DE	GERMANY
----	---------

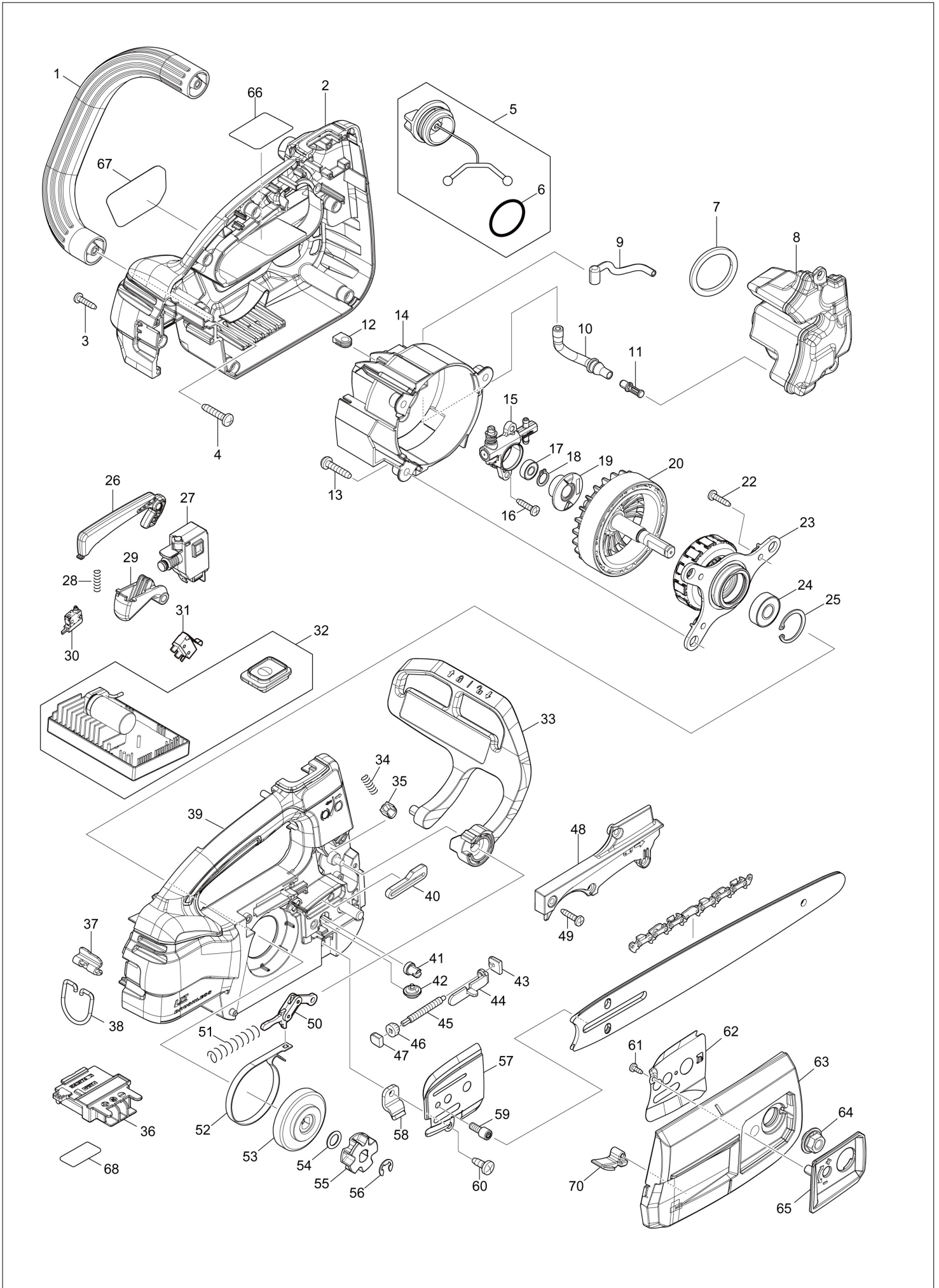
Diagram / Parts List

AS1925C

250MM CORDLESS CHAIN SAW



(DE) AS1925C / 250MM CORDLESS CHAIN SAW



DE	GERMANY
-----------	----------------

AS1925C / 250MM CORDLESS CHAIN SAW

Item	Sub	Parts No.	Parts Description	Qty	I/C	E/C No.	Close No.	Remark
001		458490-5	SIDE HANDLE	1				
002		183J28-4	HOUSING SET	1			DA934	
	C10	263005-3	RUBBER PIN 6	2			DA934	
	D10		INC. 39				DA934	
002-1		183U68-8	HOUSING SET	1	S	DA934		
	C10	263005-3	RUBBER PIN 6	2		DA934		
	D10		INC. 39			DA934		
003		266326-2	TAPPING SCREW 4X18	8			D7780	
003-1		265B67-9	TAPPING SCREW 4X18	8	O	D7780		
004		266041-8	TAPPING SCREW 5X25	2				
005		168508-1	TANK CAP COMPLETE	1				
	D10		INC. 6					
006		213355-6	O-RING 25	1				
007		421959-2	SPONGE SEAL	1				
008		140A75-4	OIL TANK COMPLETE	1				
009		422271-3	CONNECTOR A	1				
010		422272-1	CONNECTOR B	1			DL984	
010-1		122F58-6	CONNECTOR B ASSEMBLY	1	S	DL984		
	C10	413L02-3	NIPPLE	1		DL984		
	C20	232774-7	COMPRESSION SPRING 6	1		DL984		
	C30	422985-4	CONNECTOR B	1		DL984		
011		450437-5	FILTER	1			DL984	
012		424612-9	GROMMET	1				
013		266041-8	TAPPING SCREW 5X25	3				
014		458489-0	MOTOR HOUSING	1				
015		142857-4	OIL PUMP COMPLETE	1				
016		266326-2	TAPPING SCREW 4X18	2			D7780	
016-1		265B67-9	TAPPING SCREW 4X18	2	O	D7780		
017		210026-6	BALL BEARING 696ZZ	1				
018		961006-2	RETAINING RING S-10	1				
019		221428-1	WORM GEAR	1				
020		619518-6	ROTOR	1				
022		266326-2	TAPPING SCREW 4X18	3			D7780	
022-1		265B67-9	TAPPING SCREW 4X18	3	O	D7780		
023		629378-8	STATOR COMPLETE	1				
024		210059-1	BALL BEARING 6000DDW	1				
025		962105-3	RETAINING RING R-26	1				
026		458498-9	CATCH LEVER	1				
027		651365-9	SWITCH C3JW-6BM-P	1				
028		233476-8	COMPRESSION SPRING 4	1				
029		458496-3	SWITCH LEVER	1				
030		632L49-0	SWITCH UNIT	1				
031		632L48-2	SWITCH UNIT	1				
032		140A76-2	CONTROLLER COMPLETE	1			C9328	
	C10	810D46-0	SWITCH LABEL	1			C9328	
032-1		140P58-4	CONTROLLER COMPLETE	1	<	C9328	DB935	
	C10	810D46-0	SWITCH LABEL	1		C9328	DB935	
032-2		141J61-2	CONTROLLER COMPLETE	1	<	DB935		
	C10	810D46-0	SWITCH LABEL	1		DB935		
033		140A72-0	FRONT HAND GUARD COMPLETE	1				
	C10	816U31-3	CAUTION LABEL	1				
034		232453-7	COMPRESSION SPRING 3	1				
035		310879-4	HAND GUARD GUIDE	1			DB007	
035-1		313379-3	HAND GUARD GUIDE	1	O	DB007		
036		643874-2	TERMINAL	1				
037		347377-5	HOOK SUPPORT	1				
038		281222-3	HOOK	1				
039		183J28-4	HOUSING SET	1			DA934	
	C10	263005-3	RUBBER PIN 6	2			DA934	
	D10		INC. 2				DA934	
039-1		183U68-8	HOUSING SET	1	S	DA934		
	C10	263005-3	RUBBER PIN 6	2		DA934		
	D10		INC. 2			DA934		
040		422270-5	GROMMET	1				
041		227620-7	DRIVE GEAR 14	1				

A:

Interchange
O : Yes
X : No
< : the new part can be substituted for the current.
> : the current part can be substituted for the new.
S : Interchangeable as a set.

DE | GERMANY

AS1925C / 250MM CORDLESS CHAIN SAW

Item	Sub	Parts No.	Parts Description	Qty	I/C	E/C No.	Close No.	Remark
042		227634-6	STRAIGHT BEVEL GEAR 14	1				
043		455241-7	CLAMP SCREW	1			DA934	
044		347376-7	TENSION SLIDE	1			C8640	
044-1		347569-6	TENSION SLIDE	1	S	C8640		
045		327120-8	ADJUST SCREW	1			DA934	
045-1		327900-2	ADJUST SCREW	1	S	DA934		
046		227496-2	STRAIGHT BEVEL GEAR 14	1				
047		455242-5	CLAMP SCREW	1			DA934	
048		458492-1	HOUSING R COVER	1				
049		266326-2	TAPPING SCREW 4X18	4			D7780	
049-1		265B67-9	TAPPING SCREW 4X18	4	O	D7780		
050		140A74-6	LINK PLATE COMPLETE	1				
051		232452-9	COMPRESSION SPRING 7	1			D1561	
051-1		232599-9	COMPRESSION SPRING 7	1	X	D1561		
052		347372-5	BRAKE BAND	1				
053		161871-1	BRAKE DRUM COMPLETE	1				
054		213060-5	O RING 10	1			DK600	
054-1		213A41-5	O-RING 10	1	O	DK600		
055		198261-5	SPROCKET 9 SET	1			D5247	
055-1		198259-2	SPROCKET 9 SET	1	O	D5247		
056		961013-5	STOP RING E-7	1				
057		347374-1	GUIDE PLATE L	1			C8640	
057-1		347567-0	GUIDE PLATE L	1	S	C8640		
058		347373-3	CHAIN CATCHER	1				
059		266905-6	H.L. SOCKET HEAD BOLT M5X12	1				
060		266388-0	TAPPING SCREW 5X16	1				
061		266007-8	TAPPING SCREW BIND PT 3X10	1				
062		347375-9	GUIDE PLATE R	1			C8640	
062-1		347568-8	GUIDE PLATE R	1	S	C8640	DF499	
062-2		347568-8	GUIDE PLATE R	1	O	DF499		
063		458494-7	SPROCKET COVER	1			C8640	
063-1		459772-8	SPROCKET COVER	1	S	C8640		
064		161870-3	FRANGE NUT COMPLETE	1			C5386	
064-1		162494-8	FLANGE NUT COMPLETE	1	<	C5386		
065		458499-7	NUT COVER	1				
066		854G58-1	AS1925C NAME PLATE	1				
067		816U25-8	AS1925C MODEL NO. LABEL	1				
068		854G59-9	AS1925C SERIAL NO. LABEL	1				
070		422310-9	CHIP GUIDE	1				
A01		168395-8	GUIDE BAR 10	1			D1788	
A01-1		168395-8	GUIDE BAR 10	1	O	D1788		
A02		458502-4	GUIDE BAR CASE	1				
A03		194098-8	SAW CHAIN SET	1				
A04		782023-7	WRENCH 13-16	1				
A09		831315-2	ACCESSORY BAG	1				
E01		805011-8	SOUND 103DB LABEL	1		C4296		
E02		8039U0-8	CAUTION TAG	1		DA047		
F03		199075-5	SAW CHAIN SET	1				
F06		195923-6	ROUND FILE 4.5 SET	1				

A: Interchange
 O : Yes
 X : No
 < : the new part can be substituted for the current.
 > : the current part can be substituted for the new.
 S : Interchangeable as a set.