



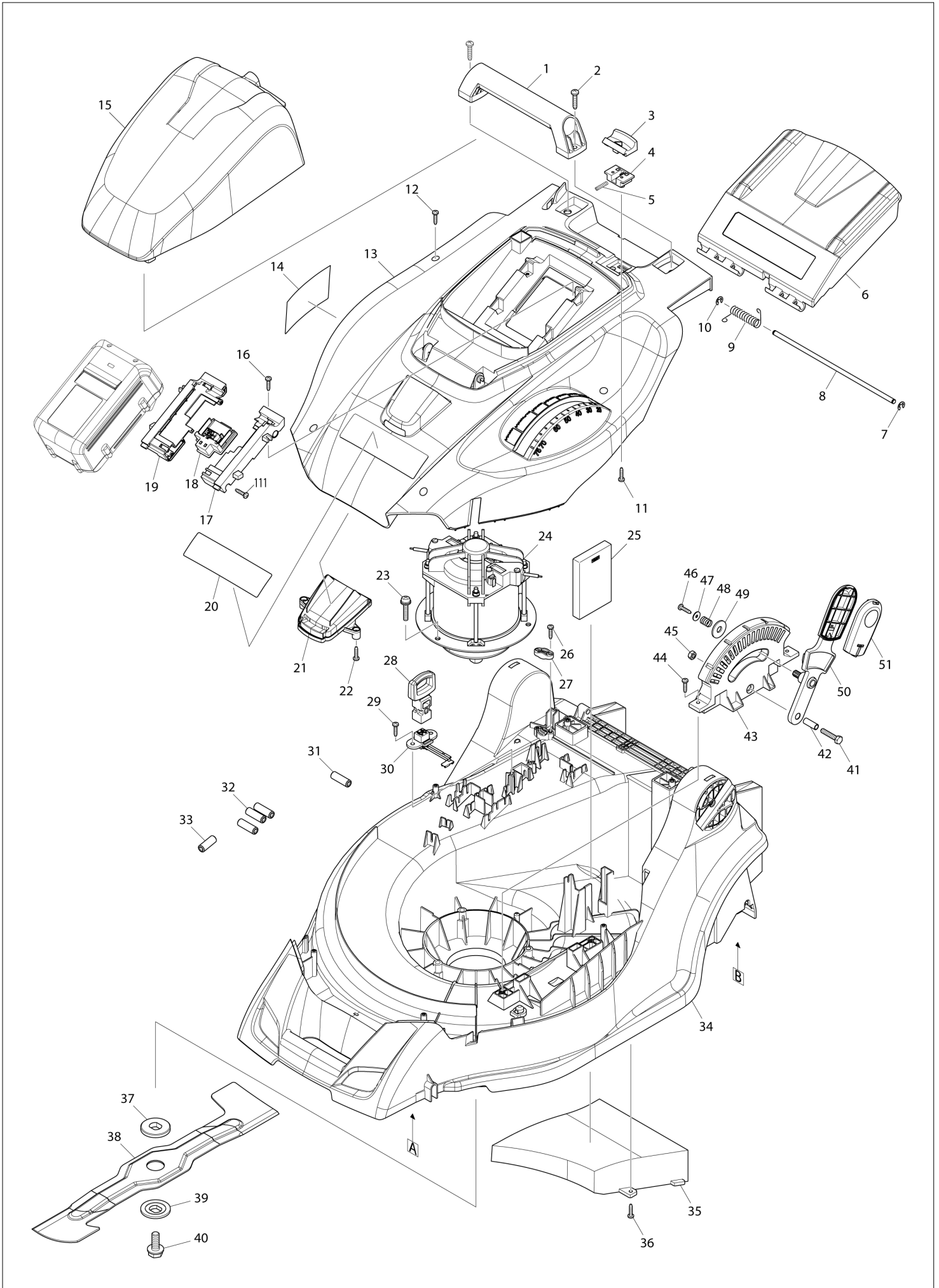
DE	GERMANY
----	---------

Diagram / Parts List

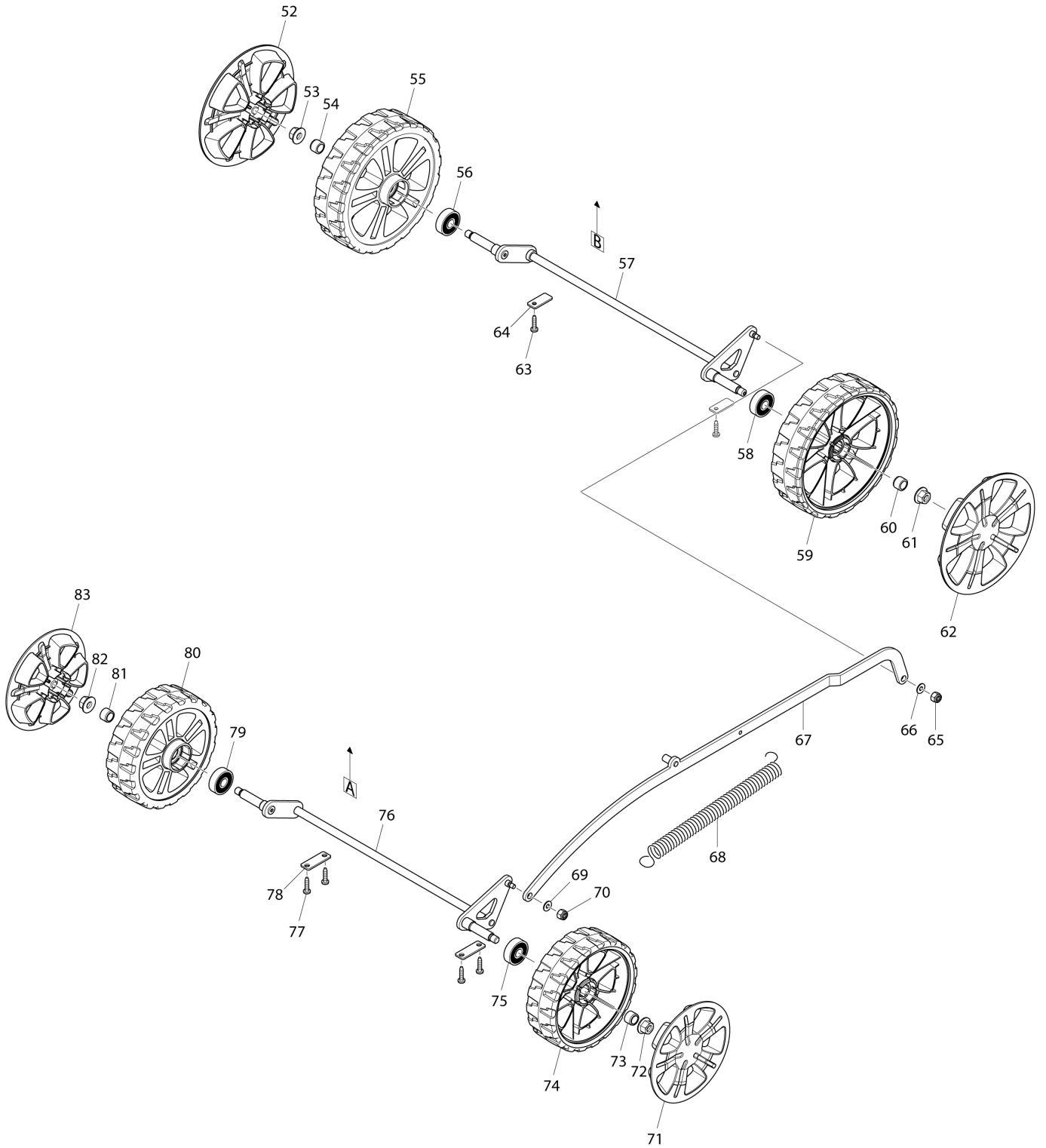
AM3643

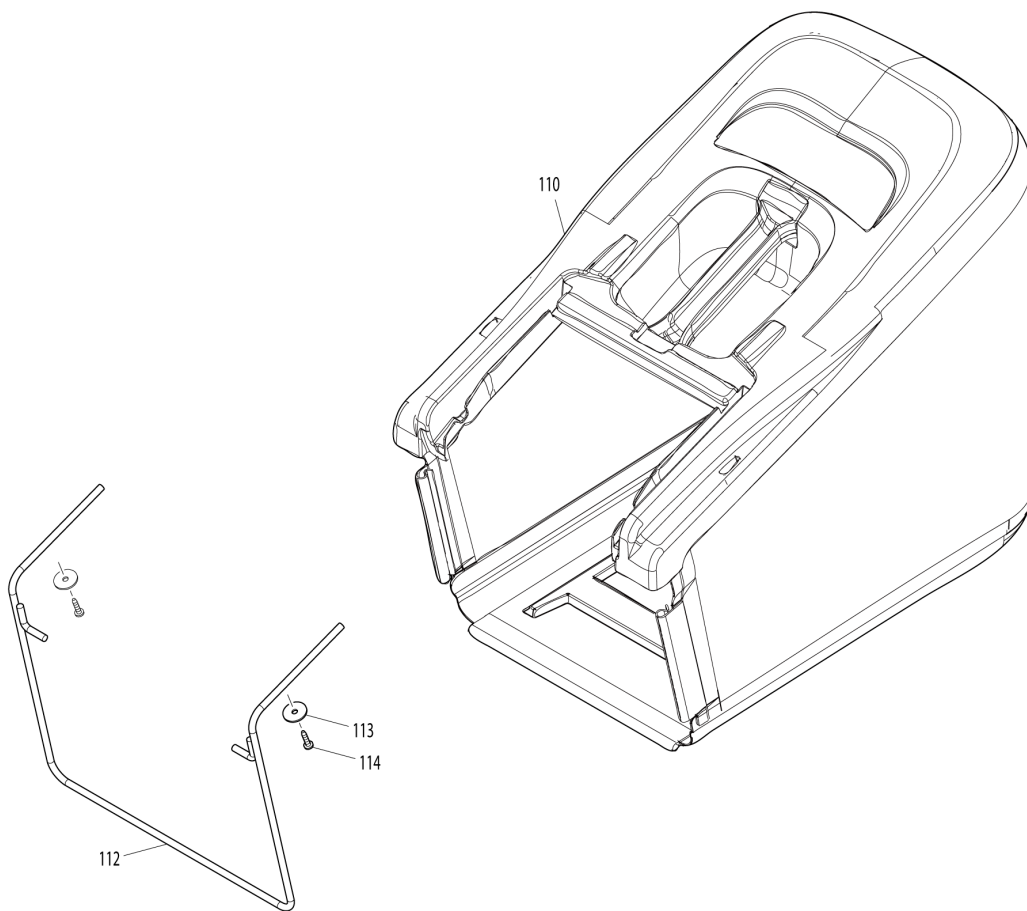
430MM CORDLESS LAWN MOWER

(DE) AM3643 / 430MM CORDLESS LAWN MOWER



(DE) AM3643 / 430MM CORDLESS LAWN MOWER





DE	GERMANY
-----------	----------------

AM3643 / 430MM CORDLESS LAWN MOWER

Item	Sub	Parts No.	Parts Description	Qty	I/C	E/C No.	Close No.	Remark
001		273675-0	GRIP A	1				
002		266459-3	TAPPING SCREW 5X25	2				
003		453250-0	LOCK LEVER	1				
004		453251-8	LOCK LEVER SUPPORT	1				
005		233173-6	COMPRESSION SPRING 4	1				
006		141300-0	REAR FLAP COMPLETE	1			B3271	
	C10	890375-3	CAUTION LABEL	1			B3271	
006-1		144076-8	REAR FLAP COMPLETE	1	<	B3271		
	C10	890375-3	CAUTION LABEL	1		B3271		
007		961018-5	STOP RING E-5	1				
008		256871-5	ROD 6	1				
009		233597-6	TORSION SPRING 8	1				
010		961018-5	STOP RING E-5	1				
011		266326-2	TAPPING SCREW 4X18	2				
012		266326-2	TAPPING SCREW 4X18	4				
013		453256-8	COWLING	1				
014		896612-3	AM-3643 NAME PLATE	1				
015		141305-0	BATTERY COVER COMPLETE	1			B1239	
	C10	890380-0	CAUTION LABEL	1			B1239	
015-1		143852-7	BATTERY COVER COMPLETE E	1	<	B1239		
	C10	890380-0	CAUTION LABEL	1		B1239		
	C20	259015-6	STOP RING CS-3	2		B1239		
	C30	424824-4	RUBBER SHEET	1		B1239		
016		266326-2	TAPPING SCREW 4X18	2				
017		187254-7	TERMINAL HOUSING SET	1				
	D10		INC. 19					
018		643849-1	TERMINAL	1				
019		187254-7	TERMINAL HOUSING SET	1				
	D10		INC. 17					
020		890384-2	DOLMAR LOGO LABEL	1				
021		453293-2	COWLING COVER	1			Y07983	
021-1		LC453293-2	COWLING COVER	1	O	Y07983		
022		266326-2	TAPPING SCREW 4X18	2				
023		266774-5	+ PAN HEAD SCREW M6X30 WITH WR	3				
024		629933-6	DC MOTOR	1				
025		620084-8	CONTROLLER	1				
026		266326-2	TAPPING SCREW 4X18	2				
027		687123-7	STRAIN RELIEF	1				
028		643890-4	KEY	1				
029		266326-2	TAPPING SCREW 4X18	2				
030		638946-6	LEAD UNIT	1				
031		688165-4	LINE FILTER	1				
032		688165-4	LINE FILTER	3				
033		688165-4	LINE FILTER	1				
034		453234-8	DECK	1			99131	
034-1		454662-0	DECK	1	O	99131	B0455	
034-2		456787-6	DECK	1	<	B0455	B0663	
034-3		456787-6	DECK	1	S	B0663		
035		453239-8	UNDER COVER	1				
036		266326-2	TAPPING SCREW 4X18	3				
037		224444-2	INNER FLANGE 40	1				
038		196060-9	BLADE 430 SET	1			B1429	
038-1		197762-0	BLADE 430 SET	1	<	B1429	C9070	
038-2		197761-2	BLADE 430 SET	1	O	C9070		
039		224445-0	OUTER FLANGE 40	1				
040		266731-3	HEX. BOLT M10X25	1				
041		921352-5	HEX. BOLT M6X30	1				
042		257670-8	SLEEVE 6	1				
043		453255-0	ADJUST PLATE	1				
044		266326-2	TAPPING SCREW 4X18	2				
045		931302-2	HEX. NUT M6	1				
046		266326-2	TAPPING SCREW 4X18	1				
047		267102-7	FLAT WASHER 4	1				
048		231297-2	COMPRESSION SPRING 9	1				
049		253808-3	FLAT WASHER 9	1				

A:AM-3643(N)
B:AM-3643LG(H)

Interchange
O : Yes
X : No
< : the new part can be substituted for the current.
> : the current part can be substituted for the new.
S : Interchangeable as a set.

DE	GERMANY
-----------	----------------

AM3643 / 430MM CORDLESS LAWN MOWER

Item	Sub	Parts No.	Parts Description	Qty	I/C	E/C No.	Close No.	Remark
050		453252-6	CHANGE LEVER	1			C8164	
050-1		459099-6	CHANGE LEVER	1	S	C8164		
051		453253-4	CHANGE LEVER COVER	1			C8164	
052		453241-1	REAR WHEEL CAP	1			C8164	
053		252145-2	COLLARED HEX NUT M8	1				
054		214067-4	PLANE BEARING 10	1			C8164	
055		453243-7	REAR WHEEL	1			C8164	
055-1		459101-5	REAR WHEEL	1	S	C8164		
056		210070-3	BALL BEARING 6200ZZ	1				
057		165669-8	REAR SHAFT	1				
058		210070-3	BALL BEARING 6200ZZ	1				
059		453243-7	REAR WHEEL	1			C8164	
059-1		459101-5	REAR WHEEL	1	S	C8164		
060		214067-4	PLANE BEARING 10	1			C8164	
061		252145-2	COLLARED HEX NUT M8	1				
062		453241-1	REAR WHEEL CAP	1			C8164	
063		266326-2	TAPPING SCREW 4X18	2				
064		346545-7	PLATE	2				
065		252103-8	HEX. LOCK NUT M5-8	1				
066		941101-4	FLAT WASHER 5	1				
067		346543-1	CONNECTING ROD	1				
068		231875-8	TENSION SPRING 16	1				
069		941101-4	FLAT WASHER 5	1				
070		252103-8	HEX. LOCK NUT M5-8	1				
071		453240-3	FRONT WHEEL CAP	1			C8164	
072		252145-2	COLLARED HEX NUT M8	1				
073		214067-4	PLANE BEARING 10	1			C8164	
074		453242-9	FRONT WHEEL	1			C8164	
074-1		459100-7	FRONT WHEEL	1	S	C8164		
075		210070-3	BALL BEARING 6200ZZ	1				
076		165668-0	FRONT SHAFT	1				
077		266326-2	TAPPING SCREW 4X18	4				
078		341462-6	PLATE	2			B0663	
078-1		456353-9	FRONT COVER	2	S	B0663		
079		210070-3	BALL BEARING 6200ZZ	1				
080		453242-9	FRONT WHEEL	1			C8164	
080-1		459100-7	FRONT WHEEL	1	S	C8164		
081		214067-4	PLANE BEARING 10	1			C8164	
082		252145-2	COLLARED HEX NUT M8	1				
083		453240-3	FRONT WHEEL CAP	1			C8164	
084		331975-5	SWITCH LEVER	1				
085		453246-1	SWITCH LEVER CASE	1				
086		453247-9	SWITCH LEVER CASE COVER	1				
087		266326-2	TAPPING SCREW 4X18	1				
088		266326-2	TAPPING SCREW 4X18	4				
089		141298-1	SWITCH BOX COVER COMPLETE	1				
	C10	890374-5	INDICATION LABEL	1				
090		911138-5	P.H.SCREW M4X20 WITH WR	1				
091		453248-7	LEVER	1				
092		231876-6	TENSION SPRING 9	1				
093		453249-5	SWITCH BUTTON	1				
094		233068-3	COMPRESSION SPRING 6	1				
095		650681-6	SWITCH D3V-16-3A5	1				
096		453244-5	SWITCH BOX	1				
097		687123-7	STRAIN RELIEF	1				
098		266326-2	TAPPING SCREW 4X18	2				
099		141299-9	UPPER PIPE COMPLETE	1			B0663	
099-1		143510-5	UPPER PIPE COMPLETE	1	S	B0663		
100		664780-8	POWER SUPPLY CORD #18-2-1.2	1				
101		266730-5	CUP H. SQUARE NECK BOLT M6X50	1			B0663	
101-1		265A14-4	CUP H. SQUARE NECK BOLT M6X50	1	<	B0663		
102		264070-5	THUMB NUT M6	1				
103		264070-5	THUMB NUT M6	1				
104		266730-5	CUP H. SQUARE NECK BOLT M6X50	1			B0663	
104-1		265A14-4	CUP H. SQUARE NECK BOLT M6X50	1	<	B0663		

A:AM-3643(N)
B:AM-3643LG(H)

Interchange
O : Yes
X : No
< : the new part can be substituted for the current.
> : the current part can be substituted for the new.
S : Interchangeable as a set.

