



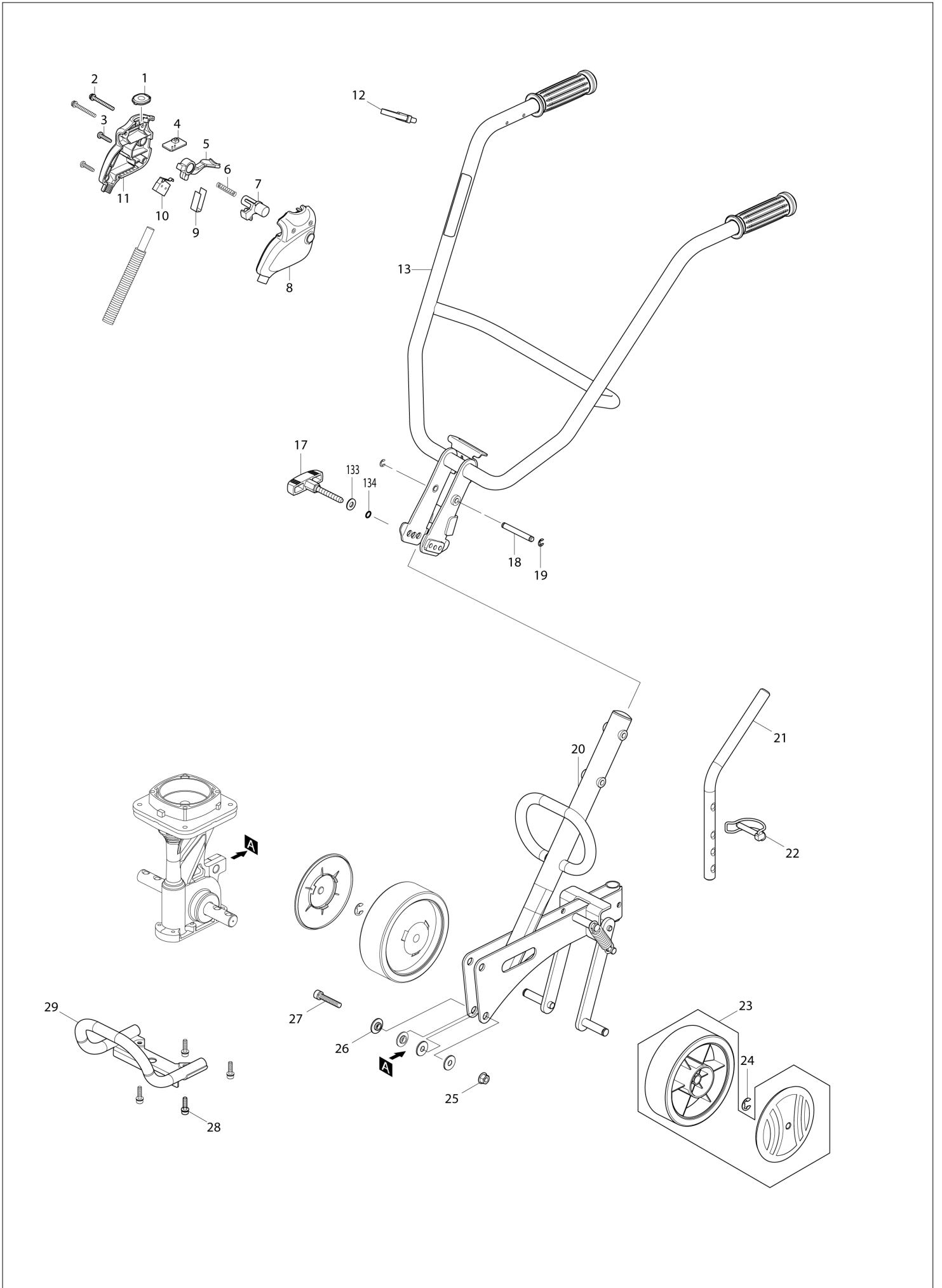
DE	GERMANY
----	---------

Diagram / Parts List

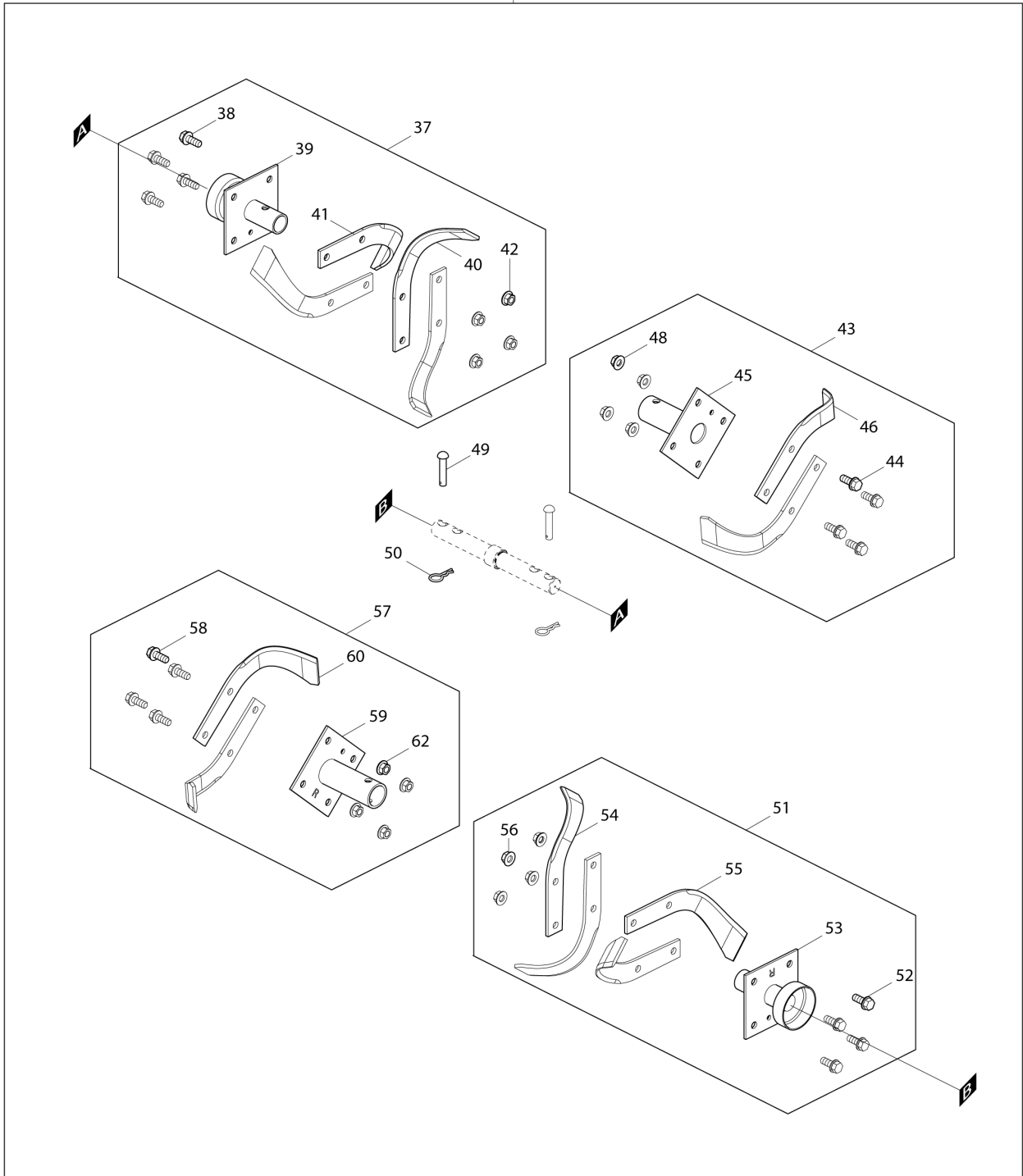
AK3622

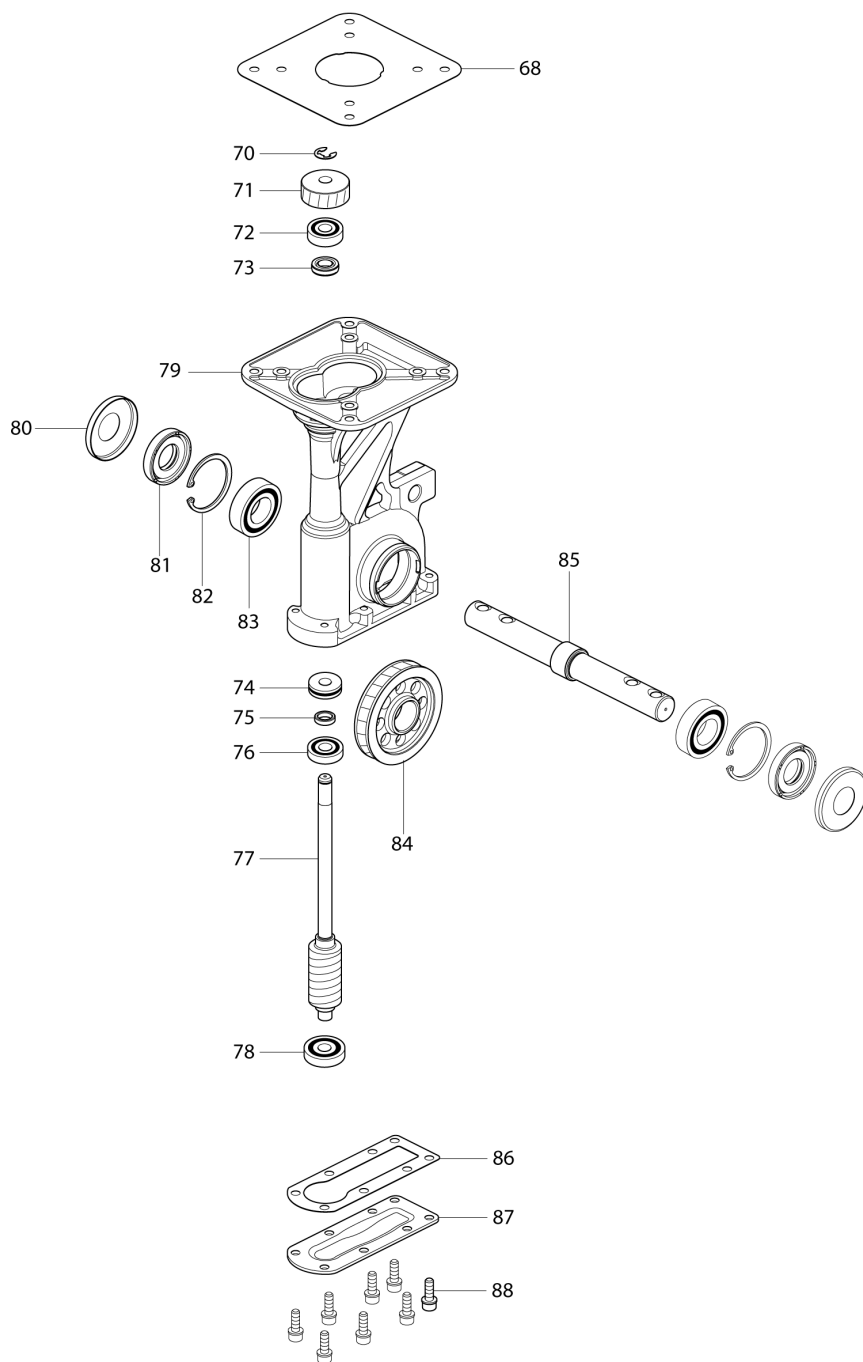
CORDLESS CULTIVATOR

(DE) AK3622 / CORDLESS CULTIVATOR

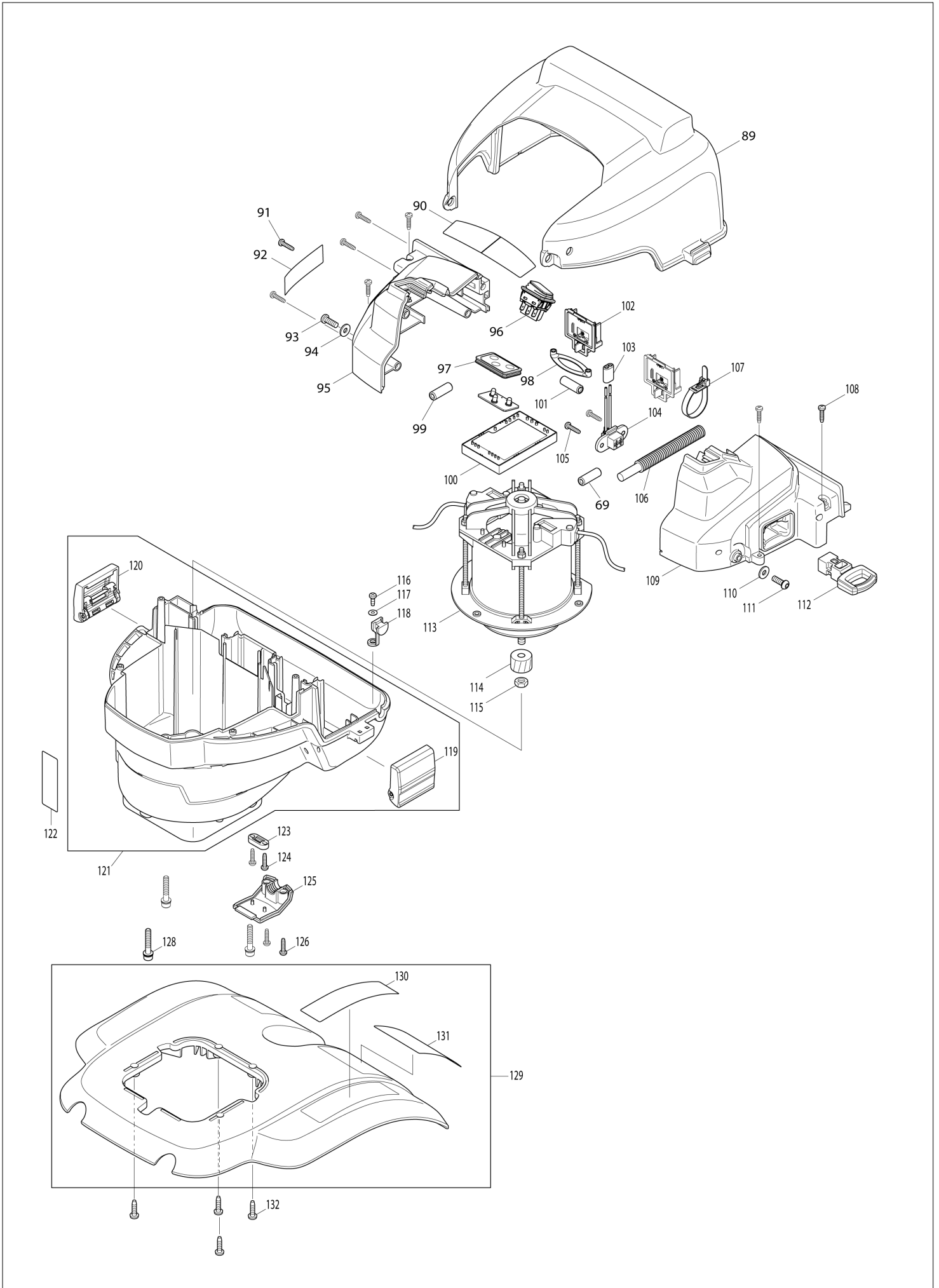


36





(DE) AK3622 / CORDLESS CULTIVATOR



DE	GERMANY
-----------	----------------

AK3622 / CORDLESS CULTIVATOR

Item	Sub	Parts No.	Parts Description	Qty	I/C	E/C No.	Close No.	Remark
001		141627-8	SWITCH PLATE COMPLETE	1				
002		911163-6	PAN HEAD SCREW M4X35	2				
003		265995-6	TAPPING SCREW 4X18	2				
004		620155-1	SWITCH UNIT	1				
005		453745-3	SWITCH LEVER	1				
006		233117-6	COMPRESSION SPRING 6	1				
007		453746-1	LOCK OFF BUTTON	1				
008		187349-6	SWITCH BOX SET	1				
	D10		INC. 11					
009		346607-1	LEAF SPRING	1				
010		650612-5	SWITCH ABS163454	1				
011		187349-6	SWITCH BOX SET	1				
	D10		INC. 8					
012		687410-4	BAND	1				
013		141653-7	HANDLE COMPLETE	1			DH502	
	C10	273533-0	GRIP 34	2			DH502	
	C20	898900-4	INDICATION LABEL	1			DH502	
013-1		141P82-0	HANDLE COMPLETE	1	<	DH502		
	C11	273035-6	GRIP 34	2	<	DH502		
	C20	898900-4	INDICATION LABEL	1		DH502		
017		271615-2	KNOB 64	1				
018		256531-9	PIN 8	1				
019A		961012-7	STOP RING E-6	2			96329	
019B		961012-7	STOP RING E-6	2			96329	
019-1A		259053-8	STOP RING E-6	2	O	96329		
019-1B		259053-8	STOP RING E-6	2	O	96329		
019-1C		259053-8	STOP RING E-6	2				
020A		141854-7	FRAME COMPLETE	1			A0184	
	C10	231879-0	TENSION SPRING 13	1			A0184	
	C20	453039-6	CAP 32	1			A0184	
	C30	800N13-3	CAUTION LABEL	1			A0184	
020B		141854-7	FRAME COMPLETE	1			A0184	
	C10	231879-0	TENSION SPRING 13	1			A0184	
	C20	453039-6	CAP 32	1			A0184	
	C30	800N13-3	CAUTION LABEL	1			A0184	
020-1A		142377-8	FRAME COMPLETE	1	O	A0184		
	C10	231879-0	TENSION SPRING 13	1		A0184		
	C20	453039-6	CAP 32	1		A0184		
	C30	800N13-3	CAUTION LABEL	1		A0184		
020-1B		142377-8	FRAME COMPLETE	1	O	A0184		
	C10	231879-0	TENSION SPRING 13	1		A0184		
	C20	453039-6	CAP 32	1		A0184		
	C30	800N13-3	CAUTION LABEL	1		A0184		
020-1C		142377-8	FRAME COMPLETE	1				
	C10	231879-0	TENSION SPRING 13	1				
	C20	453039-6	CAP 32	1				
	C30	800N13-3	CAUTION LABEL	1				
021		326106-9	BAR	1				
022		126062-1	PIPE PIN ASSEMBLY	1				
023		125372-3	WHEEL ASSEMBLY 1689021	2				
024A		961016-9	STOP RING E-10	2			96329	
024B		961016-9	STOP RING E-10	2			96329	
024-1A		259055-4	STOP RING E-10	2	O	96329		
024-1B		259055-4	STOP RING E-10	2	O	96329		
024-1C		259055-4	STOP RING E-10	2				
025		931402-8	HEX. NUT M8	2				
026		332037-2	RING 8	8				
027		922466-3	HEX.SOCKET HEAD BOLT M8X45	2				
028		922343-9	H.S.H.BOLT M6X25 WITH WR	4				
029		165660-6	FRONT GRIP COMPLETE	1				
036		135516-7	ROTOR ASSEMBLY	1				
	D10		INC. 37,43,49-51,57					
037		126169-3	ROTOR SHAFT ASSEMBLY A LEFT	1			Y06672	
	D10		INC. 38-42				Y06672	
037-1		126228-3	ROTOR ASSEMBLY LEFT	1	S	Y06672		

A:AK-3622(N)
 B:AK-3622 LG(H)
 C:AK3622L218(H)

Interchange
 O : Yes
 X : No
 < : the new part can be substituted for the current.
 > : the current part can be substituted for the new.
 S : Interchangeable as a set.

AK3622 / CORDLESS CULTIVATOR

Item	Sub	Parts No.	Parts Description	Qty	I/C	E/C No.	Close No.	Remark
	D10		INC. 38-42,44-46,48			Y06672		
038		265598-6	HEX. BOLT M8	4				
039		165682-6	ROTOR SHAFT COMPLETE A LEFT	1				
040		346521-1	TINE LEFT	2				
041		346522-9	TINE RIGHT	2				
042		264067-4	HEX. NUT M8	4				
043		126196-0	ROTOR SHAFT ASSEMBLY B LEFT	1			Y06672	
	D10		INC. 44-46,48				Y06672	
044		265598-6	HEX. BOLT M8	4				
045		165683-4	ROTOR SHAFT COMPLETE B LEFT	1				
046		346522-9	TINE RIGHT	2				
048		264067-4	HEX. NUT M8	4				
049		256532-7	PIN 8	2				
050		259052-0	SNAP PIN 7	2				
051		126167-7	ROTOR SHAFT ASSEMBLY A RIGHT	1			Y06672	
	D10		INC. 52-56				Y06672	
051-1		126227-5	ROTOR ASSEMBLY RIGHT	1	S	Y06672		
	D10		INC. 52-56,58-60,62			Y06672		
052		265598-6	HEX. BOLT M8	4				
053		165664-8	ROTOR SHAFT COMPLETE A RIGHT	1				
054		346522-9	TINE RIGHT	2				
055		346521-1	TINE LEFT	2				
056		264067-4	HEX. NUT M8	4				
057		126195-2	ROTOR SHAFT ASSEMBLY B RIGHT	1			Y06672	
	D10		INC. 58-60,62				Y06672	
058		265598-6	HEX. BOLT M8	4				
059		165665-6	ROTOR SHAFT COMPLETE B RIGHT	1				
060		346521-1	TINE LEFT	2				
062		264067-4	HEX. NUT M8	4				
068		442179-5	GASKET	1				
069		688165-4	LINE FILTER	1				
070A		961014-3	STOP RING E-8	1			96329	
070B		961014-3	STOP RING E-8	1			96329	
070-1A		259054-6	STOP RING E-8	1	O	96329		
070-1B		259054-6	STOP RING E-8	1	O	96329		
070-1C		259054-6	STOP RING E-8	1				
071		227759-6	HELICAL GEAR 18	1				
072		210067-2	BALL BEARING 6000ZZ	1				
073A		213148-1	OIL SEAL 10	1			Y06368	
073B		213148-1	OIL SEAL 10	1			Y06368	
073-1A		213769-9	OIL SEAL 10	1	O	Y06368		
073-1B		213769-9	OIL SEAL 10	1	O	Y06368		
073-1C		213769-9	OIL SEAL 10	1				
074		211383-5	THRUST BALL BEARING 1024	1				
075		257322-1	RING 10	1				
076		211472-6	BALL BEARING 6000	1				
077		221426-5	WORM GEAR	1				
078		211473-4	BALL BEARING 6200	1				
079		318896-8	MISSION CASE	1				
080		346519-8	CUP	2				
081		213633-4	OIL SEAL 20	2				
082A		962201-7	RETAINING RING (INT) R-42	2			96329	
082B		962201-7	RETAINING RING (INT) R-42	2			96329	
082-1A		257990-0	RETAINING RING (INT) R-42	2	O	96329		
082-1B		257990-0	RETAINING RING (INT) R-42	2	O	96329		
082-1C		257990-0	RETAINING RING (INT) R-42	2				
083		211474-2	BALL BEARING 6004	2				
084		221425-7	WORM WHEEL 35	1				
085A		326105-1	DRIVE SHAFT	1			Y06331	
085B		326105-1	DRIVE SHAFT	1			Y06331	
085-1A		326330-4	DRIVE SHAFT	1	<	Y06331		
085-1B		326330-4	DRIVE SHAFT	1	<	Y06331		
085-1C		326330-4	DRIVE SHAFT	1				
086		413156-4	GASKET	1				
087		346520-3	COVER MISSION CASE	1				

A:AK-3622(N)
 B:AK-3622 LG(H)
 C:AK3622L218(H)

Interchange
 O : Yes
 X : No
 < : the new part can be substituted for the current.
 > : the current part can be substituted for the new.
 S : Interchangeable as a set.

DE	GERMANY
-----------	----------------

AK3622 / CORDLESS CULTIVATOR

Item	Sub	Parts No.	Parts Description	Qty	I/C	E/C No.	Close No.	Remark
088A		922328-5	H.S.H.BOLT M6X18 WITH WR	8			96329	
088B		922328-5	H.S.H.BOLT M6X18 WITH WR	8			96329	
088-1A		266661-8	HEX.SOCKET HEAD BOLT M6X18	8	O	96329		
088-1B		266661-8	HEX.SOCKET HEAD BOLT M6X18	8	O	96329		
088-1C		266661-8	HEX.SOCKET HEAD BOLT M6X18	8				
089		141620-2	BATTERY HOOD COMPLETE	1				
090		898908-8	INDICATION LABEL	1				
091		265995-6	TAPPING SCREW 4X18	4				
092		897289-7	AK-3622 NAME PLATE	1				
093		265484-1	H.S.BUTTON HEAD SCREW M6X17	1				
094		253111-2	FLAT WASHER 6	1				
095		187350-1	UPPER HOUSING SET	1				
	D10		INC. 109					
096		651534-2	SWITCH 1934.3112B	1				
097		141628-6	LENS PLATE COMPLETE	1				
	C10	213508-7	O RING 38	1				
098		421448-7	RUBBER BAND	1				
099		688165-4	LINE FILTER	1				
100		620154-3	CONTROLLER	1				
101		688165-4	LINE FILTER	1				
102		643849-1	TERMINAL	2				
103		688172-7	LINE FILTER	1				
104		632A04-6	LEAD UNIT	1				
105		265995-6	TAPPING SCREW 4X18	2				
106		699057-2	POWER SUPPLY CORD UNIT	1				
107		687410-4	BAND	1				
108		265995-6	TAPPING SCREW 4X18	4				
109		187350-1	UPPER HOUSING SET	1				
	D10		INC. 95					
110		253111-2	FLAT WASHER 6	1				
111		265484-1	H.S.BUTTON HEAD SCREW M6X17	1				
112		643890-4	KEY	1				
113		629957-2	DC MOTOR	1				
114		227758-8	HELICAL GEAR 13	1				
115		252194-9	HEX. NUT M8	1				
116		266020-6	TAPPING SCREW 4X12	1				
117		267099-0	FLAT WASHER 4	1				
118		424507-6	RUBBER CAP	1				
119		162343-9	LATCH	1				
120		162343-9	LATCH	1				
121		141651-1	LOWER HOUSING COMPLETE	1				
	C10	263005-3	RUBBER PIN 6	4				
	D10		INC. 119,120					
122		897520-1	AK-3622 SERIAL NO. LABEL	1				
123		687053-2	STRAIN RELIEF	1				
124		265995-6	TAPPING SCREW 4X18	2				
125		453747-9	CORD COVER	1				
126		265995-6	TAPPING SCREW 4X18	2				
128		266781-8	SOCKET HEAD BOLT M6X35	3				
129		141625-2	FENDER COMPLETE	1				
	D10		INC. 130,131					
130		898905-4	DOLMAR LOGO LABEL	1				
131		898903-8	CAUTION LABEL	1				
132		266021-4	TAPPING SCREW 5X20	4				
133		232277-1	CONED DISC SPRING 10	1				
134		213026-5	O RING 7	1				
135A		941052-1	FLAT WASHER 4	2		98799	DK452	
135B		941052-1	FLAT WASHER 4	2		98799	DK452	
135C		941052-1	FLAT WASHER 4	2			DK452	
A01B		***LG-3622	LG-3622 BATTERY CHARGER	1				
A01C		***LG184	LG-184 FAST CHARGER SET	1			B2507	
A01-1C		***DC18RC	DC18RC FAST CHARGER	1	O	B2507		
A02B		195412-1	BATTERY AP-3622 SET	1			A6421	
A02C		194490-8	BATTERY AP-183 SET	2			A5588	
A02-1B		195412-1	BATTERY AP-3622 SET	1	O	A6421		

A:AK-3622(N)
 B:AK-3622 LG(H)
 C:AK3622L218(H)

Interchange
 O : Yes
 X : No
 < : the new part can be substituted for the current.
 > : the current part can be substituted for the new.
 S : Interchangeable as a set.

