



DE

GERMANY

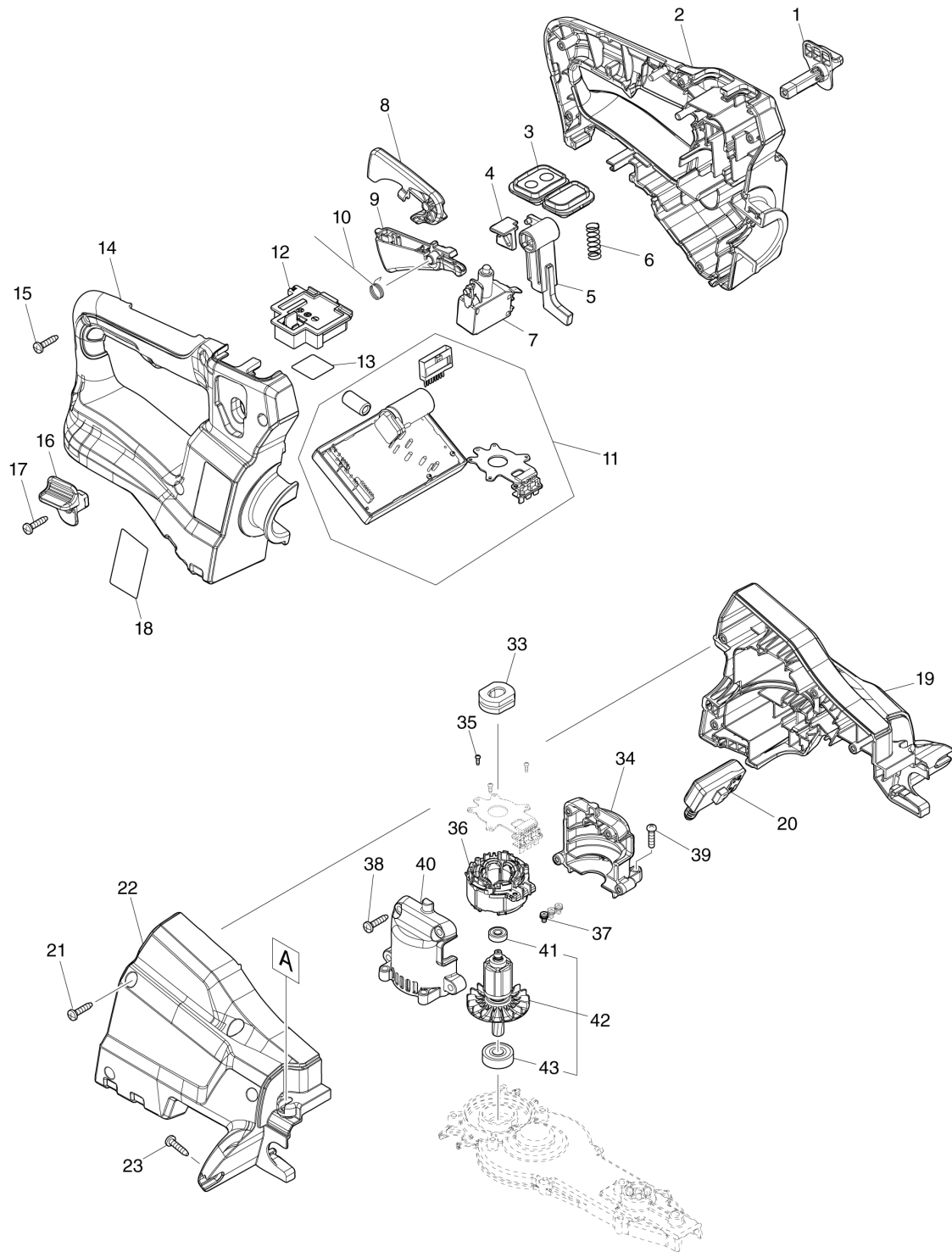
Diagram / Parts List

AH1860

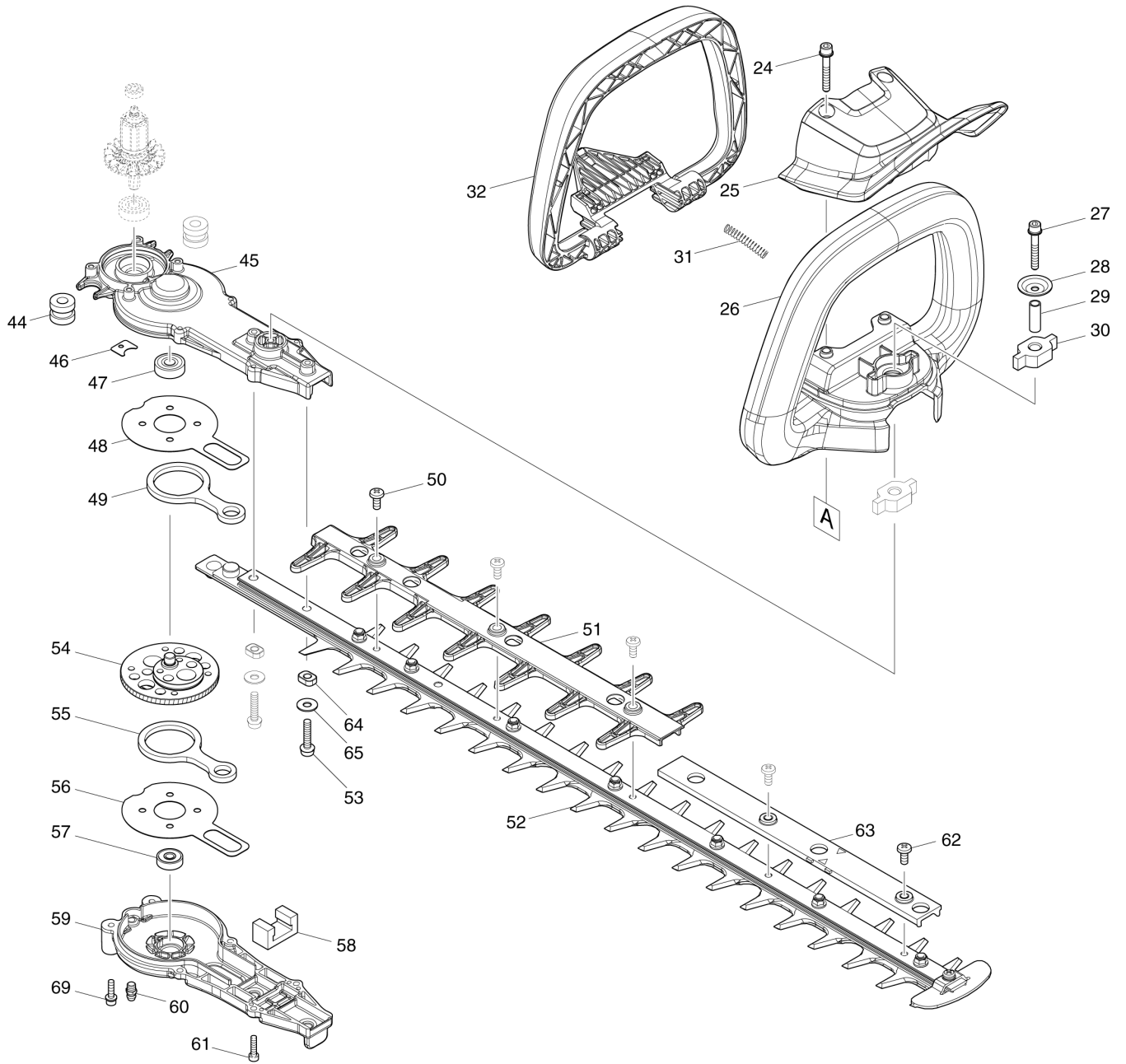
600MM CORDLESS HEDGE TRIMMER



(DE) AH1860 / 600MM CORDLESS HEDGE TRIMMER



(DE) AH1860 / 600MM CORDLESS HEDGE TRIMMER



DE	GERMANY
-----------	----------------

AH1860 / 600MM CORDLESS HEDGE TRIMMER

Item	Sub	Parts No.	Parts Description	Qty	I/C	E/C No.	Close No.	Remark
001		458406-0	LOCK LEVER L	1				
002		183J51-9	HANDLE SET	1				
	C10	263005-3	RUBBER PIN 6	2				
	D10		INC. 14					
003		140A04-7	SUB CONTROLLER COMPLETE	1				
	C10	806G56-1	INDICATION LABEL	1				
	C20	817C42-3	SWITCH LABEL	1				
004		458570-7	SLIDER	1				
005		458405-2	LOCK ARM	1				
006		234204-4	COMPRESSION SPRING 8	1				
007		650781-2	SWITCH C3JW-6B-P	1				
008		458403-6	LOCK OFF LEVER	1				
009		458404-4	SWITCH LEVER R	1				
010		232454-5	TORSION SPRING 10	1				
011		620818-9	CONTROLLER	1			D4249	
011-1		620B18-3	CONTROLLER	1	O	D4249	DA521	
011-2		620E32-7	CONTROLLER	1	<	DA521	DE312	
011-3		620K06-4	CONTROLLER	1	<	DE312		
012		644809-6	TERMINAL	1				
013		856H18-5	AH1860 SERIAL NO. LABEL	1				
014		183J51-9	HANDLE SET	1				
	C10	263005-3	RUBBER PIN 6	2				
	D10		INC. 2					
015		266326-2	TAPPING SCREW 4X18	6				
016		458407-8	LOCK LEVER R	1				
017		266326-2	TAPPING SCREW 4X18	1				
018		856H17-7	AH1860 NAME PLATE	1				
019		183M89-2	HOUSING SET	1				
	C10	252143-6	COLLARED HEX.NUT M5-8	2				
	C20	424344-8	DAMPER	4				
	D10		INC. 22					
020		651083-9	SWITCH C3XA-1PSPM	1				
021		266326-2	TAPPING SCREW 4X18	4				
022		183M89-2	HOUSING SET	1				
	C10	252143-6	COLLARED HEX.NUT M5-8	2				
	C20	424344-8	DAMPER	4				
	D10		INC. 19					
023		266326-2	TAPPING SCREW 4X18	2				
024		265182-7	+ PAN HEAD SCREW M5X25	2				
025		458399-1	PROTECTOR	1				
026		458400-2	FRONT GRIP E	1				
027		251476-6	H.S.H.BOLT M5X35 WITH WR	1			DJ608	
027-1		265D13-4	H.S.H.BOLT M5X35 WITH WRM	1	O	DJ608		
028		253416-0	DISH WASHER 5	1				
029		257678-2	SLEEVE 6	1				
030		422260-8	RUBBER SLEEVE 8	2				
031		233222-9	COMPRESSION SPRING 5	2				
032		459959-2	SWITCH LEVER F	1				
033		422261-6	RUBBER SLEEVE	1				
034		183L66-8	MOTOR HOUSING SET	1			DK013	
	D10		INC. 40				DK013	
034-1		183L66-8	MOTOR HOUSING SET	1	<	DK013		
	D10		INC. 40			DK013		
035		266490-9	TAPPING SCREW PT 2X6	3				
036		629352-6	STATOR	1				
037		652069-6	FLAT HEAD SCREW M3X6	3				
038		266326-2	TAPPING SCREW 4X18	4				
039		265178-8	PAN HEAD SCREW M4X16	4			D4810	
039-1		911128-8	P.H.SCREW M4X16 WITH WR	4	O	D4810		
040		183L66-8	MOTOR HOUSING SET	1			DK013	
	D10		INC. 34				DK013	
040-1		183L66-8	MOTOR HOUSING SET	1	<	DK013		
	D10		INC. 34			DK013		
041		211157-4	BALL BEARING 695ZZ	1				
042		519557-5	ROTOR ASSY	1			D2844	

A:

Interchange
O : Yes
X : No
< : the new part can be substituted for the current.
> : the current part can be substituted for the new.
S : Interchangeable as a set.

