



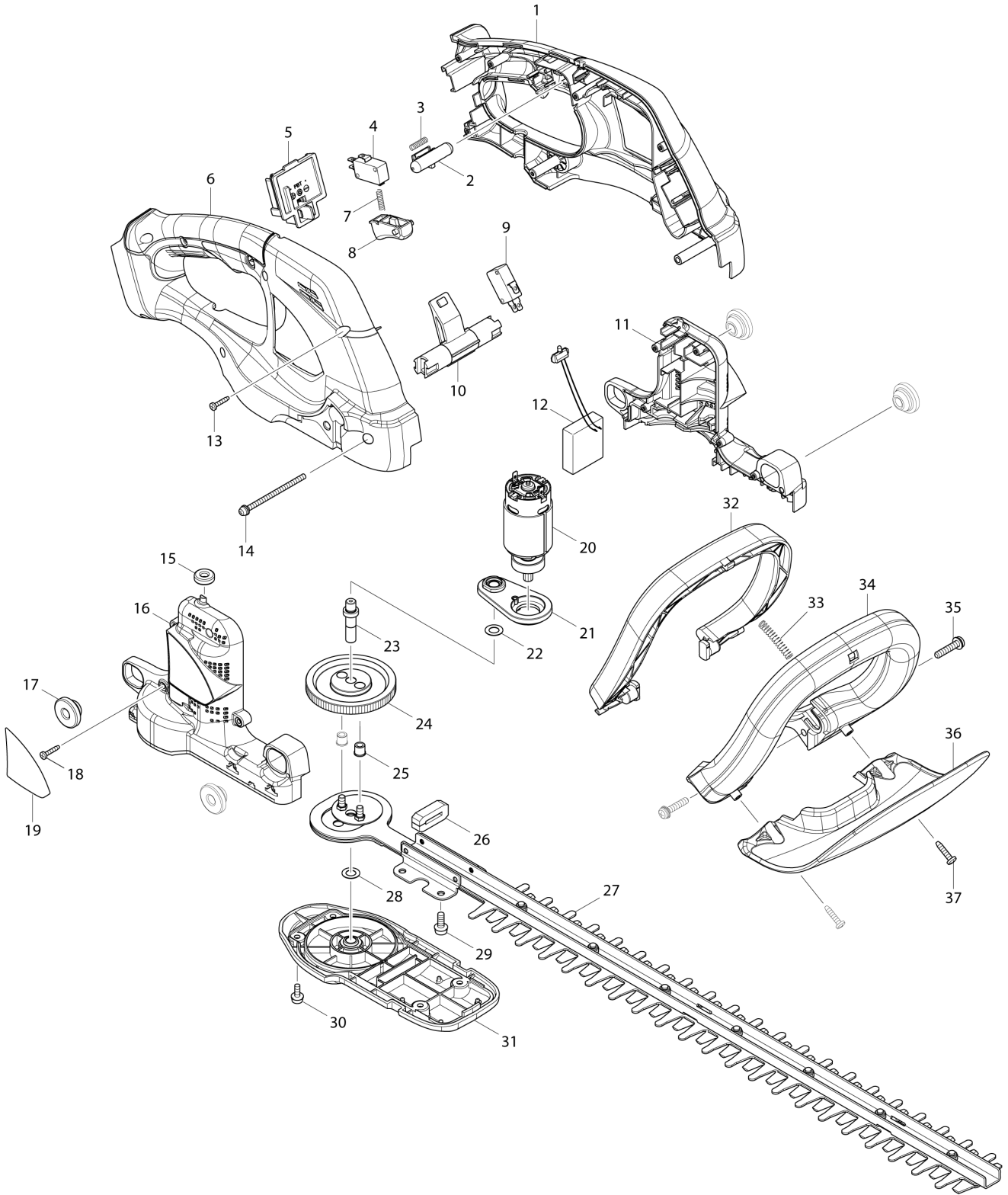
DE	GERMANY
----	---------

Diagram / Parts List

AH1853H

520MM CORDLESS HEDGE TRIMMER

(DE) AH1853H / 520MM CORDLESS HEDGE TRIMMER



DE	GERMANY
-----------	----------------

AH1853H / 520MM CORDLESS HEDGE TRIMMER

Item	Sub	Parts No.	Parts Description	Qty	I/C	E/C No.	Close No.	Remark
001		187289-8	HANDLE SET	1			C3158	
	D10		INC. 6				C3158	
001-1		183K18-3	HANDLE SET	1	<	C3158		
	C10	263005-3	RUBBER PIN 6	2		C3158		
	D10		INC. 6			C3158		
002		452438-9	LOCK OFF BUTTON	1				
003		231473-8	COMPRESSION SPRING 4	1				
004		651852-8	SWITCH V-15-1A5	1				
005		643852-2	TERMINAL	1				
006		187289-8	HANDLE SET	1			C3158	
	D10		INC. 1				C3158	
006-1		183K18-3	HANDLE SET	1	<	C3158		
	C10	263005-3	RUBBER PIN 6	2		C3158		
	D10		INC. 1			C3158		
007		231473-8	COMPRESSION SPRING 4	1				
008		417564-1	SWITCH LEVER	1				
009		651852-8	SWITCH V-15-1A5	1				
010		452681-0	SWITCH ARM	1				
011		187292-9	MOTOR HOUSING SET	1			D1922	
	D10		INC. 16				D1922	
011-1		183P36-1	MOTOR HOUSING SET	1	S	D1922		
	D10		INC. 16			D1922		
012		638966-0	CONTROLLER UNIT	1			C3439	
	C10	688161-2	LINE FILTER	1			C3439	
012-1		632M89-4	CONTROLLER UNIT	1	<	C3439	C4284	
	C10	688161-2	LINE FILTER	1		C3439	C4284	
012-2		632N08-6	CONTROLLER UNIT	1	O	C4284	D9893	
	C10	688161-2	LINE FILTER	1		C4284	D9893	
012-3		632R83-6	CONTROLLER UNIT	1	<	D9893		
	C10	688161-2	LINE FILTER	1		D9893		
	C20	654086-2	RECEPTACLE	2		DE372		
013		266429-2	TAPPING SCREW 3X16	6				
014		911193-7	PAN HEAD SCREW M4X65	1				
015		424195-9	RUBBER RING 6	1				
016		187292-9	MOTOR HOUSING SET	1			D1922	
	D10		INC. 11				D1922	
016-1		183P36-1	MOTOR HOUSING SET	1	S	D1922		
	D10		INC. 11			D1922		
017		424394-3	RUBBER RING 8	4				
018		266429-2	TAPPING SCREW 3X16	5				
019		815U49-1	AH-1853H NAME PLATE	1				
020		629930-2	DC MOTOR	1			D1922	
020-1		629450-6	DC MOTOR	1	S	D1922		
021		141211-9	BEARING BOX COMPLETE	1				
022		253215-0	FLAT WASHER 8	1				
023		326034-8	SPINDLE	1				
024		227281-3	SPUR GEAR 93	1				
025		262570-9	NYLON SLEEVE 5	2				
026		423417-4	DUST GUARD	1				
027		195772-1	SHEAR BLADE COMPLETE SET	1				
	C10	188605-7	OIL VESSEL SET	1				
	C20	262570-9	NYLON SLEEVE 5	2				
028		253215-0	FLAT WASHER 8	1				
029		911218-7	PAN HEAD SCREW M5X14	4				
030		911113-1	PAN HEAD SCREW M4X10 WITH WR	4				
031		453317-4	UNDER COVER	1				
032		452679-7	SWITCH LEVER B	1				
033		234261-2	COMPRESSION SPRING 5	1				
034		452682-8	FRONT GRIP	1				
035		911243-8	PAN HEAD SCREW M5X25	2				
036		453316-6	PROTECTOR	1				
037		265995-6	TAPPING SCREW 4X18	2				
A01		452685-2	BLADE COVER	1				
A02J		***LG184	LG-184 FAST CHARGER SET	1			B2507	
A02-1J		***DC18RC	DC18RC FAST CHARGER	1	O	B2507		

I:AH-1853H(N)
J:AH-1853LGH(H)

Interchange
O : Yes
X : No
< : the new part can be substituted for the current.
> : the current part can be substituted for the new.
S : Interchangeable as a set.

