



DE

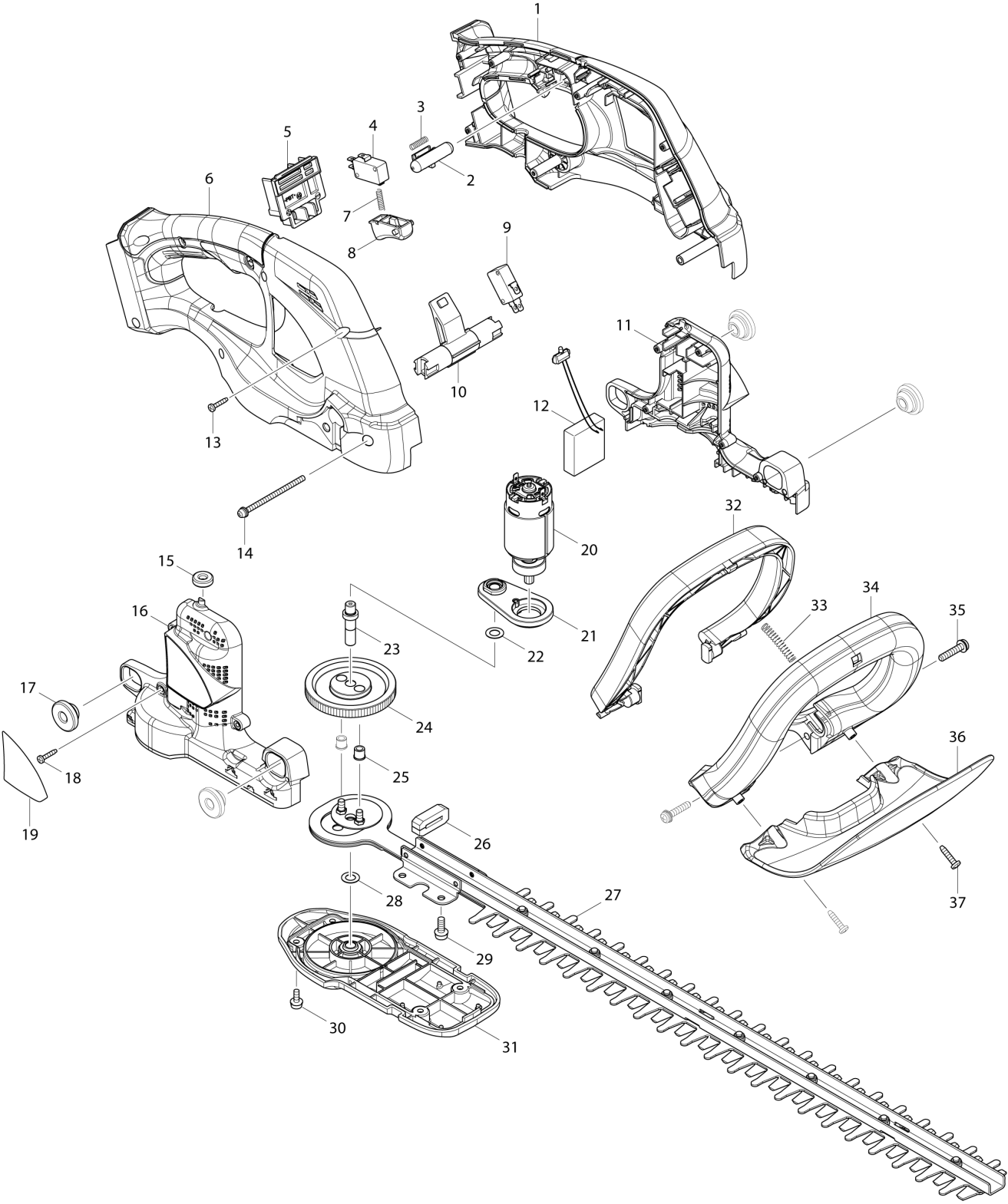
GERMANY

Diagram / Parts List

AH1852

520MM CORDLESS HEDGE TRIMMER

(DE) AH1852 / 520MM CORDLESS HEDGE TRIMMER



DE	GERMANY
-----------	----------------

AH1852 / 520MM CORDLESS HEDGE TRIMMER

Item	Sub	Parts No.	Parts Description	Qty	I/C	E/C No.	Close No.	Remark
001		187288-0	HANDLE SET	1				
	D10		INC. 6					
002		452438-9	LOCK OFF BUTTON	1				
003		231473-8	COMPRESSION SPRING 4	1				
004		651852-8	SWITCH V-15-1A5	1				
005		643862-9	TERMINAL	1				
006		187288-0	HANDLE SET	1				
	D10		INC. 1					
007		231473-8	COMPRESSION SPRING 4	1				
008		417564-1	SWITCH LEVER	1				
009		651852-8	SWITCH V-15-1A5	1				
010		452681-0	SWITCH ARM	1				
011		187291-1	MOTOR HOUSING SET	1				
	D10		INC. 16					
012		638964-4	CONTROLLER UNIT	1			C3652	
	C10	688161-2	LINE FILTER	1			C3652	
012-1		632N01-0	CONTROLLER UNIT	1	<	C3652		
	C10	688161-2	LINE FILTER	1		C3652		
013		266429-2	TAPPING SCREW 3X16	6				
014		911193-7	PAN HEAD SCREW M4X65	1				
015		424195-9	RUBBER RING 6	1				
016		187291-1	MOTOR HOUSING SET	1				
	D10		INC. 11					
017		424394-3	RUBBER RING 8	4				
018		266429-2	TAPPING SCREW 3X16	5				
019		896832-9	AH-1852 NAME PLATE	1				
020		629930-2	DC MOTOR	1				
021		141211-9	BEARING BOX COMPLETE	1				
022		253215-0	FLAT WASHER 8	1				
023		326034-8	SPINDLE	1				
024		227281-3	SPUR GEAR 93	1				
025		262570-9	NYLON SLEEVE 5	2				
026		423417-4	DUST GUARD	1				
027		195772-1	SHEAR BLADE COMPLETE SET	1				
	C10	188605-7	OIL VESSEL SET	1				
	C20	262570-9	NYLON SLEEVE 5	2				
028		253215-0	FLAT WASHER 8	1				
029		911218-7	PAN HEAD SCREW M5X14	4				
030		911113-1	PAN HEAD SCREW M4X10 WITH WR	4				
031		453317-4	UNDER COVER	1				
032		452679-7	SWITCH LEVER B	1				
033		234261-2	COMPRESSION SPRING 5	1				
034		452682-8	FRONT GRIP	1				
035		911243-8	PAN HEAD SCREW M5X25	2				
036		453316-6	PROTECTOR	1				
037		265995-6	TAPPING SCREW 4X18	2				
A01		452685-2	BLADE COVER	1				
A02B		***LG18	LG-18 BATTERY CHARGER	1			B2305	
A02C		***LG18	LG-18 BATTERY CHARGER	1			B2305	
A02-1B		***DC18WA	DC18WA BATTERY CHARGER	1	O	B2305		
A02-1C		***DC18WA	DC18WA BATTERY CHARGER	1	O	B2305		
A03B		195766-6	BATTERY AP-18 SET	1			99806	
A03C		195766-6	BATTERY AP-18 SET	2			99806	
A03-1B		196372-0	BATTERY AP-1813 SET	1	O	99806	A5808	
A03-1C		196372-0	BATTERY AP-1813 SET	2	O	99806	A5808	
A03-2B		196372-0	BATTERY AP-1813 SET	1	O	A5808	B2304	
A03-2C		196372-0	BATTERY AP-1813 SET	2	O	A5808	B2304	
A03-3B		196366-5	BATTERY BL1813G SET	1	<	B2304	B4484	
A03-3C		196366-5	BATTERY BL1813G SET	2	<	B2304	B4484	
A03-4B		198186-3	BATTERY BL1815G SET	1	<	B4484	DH596	
A03-4C		198186-3	BATTERY BL1815G SET	2	<	B4484	DH596	
A03-5B		198186-3	BATTERY BL1815G SET	1	<	DH596		
A03-5C		198186-3	BATTERY BL1815G SET	2	<	DH596		
A04C		452652-7	BATTERY COVER	1				
F01		195051-7	CHIP RECEIVER ASSEMBLY SET	1				

A:AH-1852(N)
 B:AH-1852LG(H)
 C:AH-1852LGE(H)

Interchange
 O : Yes
 X : No
 < : the new part can be substituted for the current.
 > : the current part can be substituted for the new.
 S : Interchangeable as a set.

