



DE

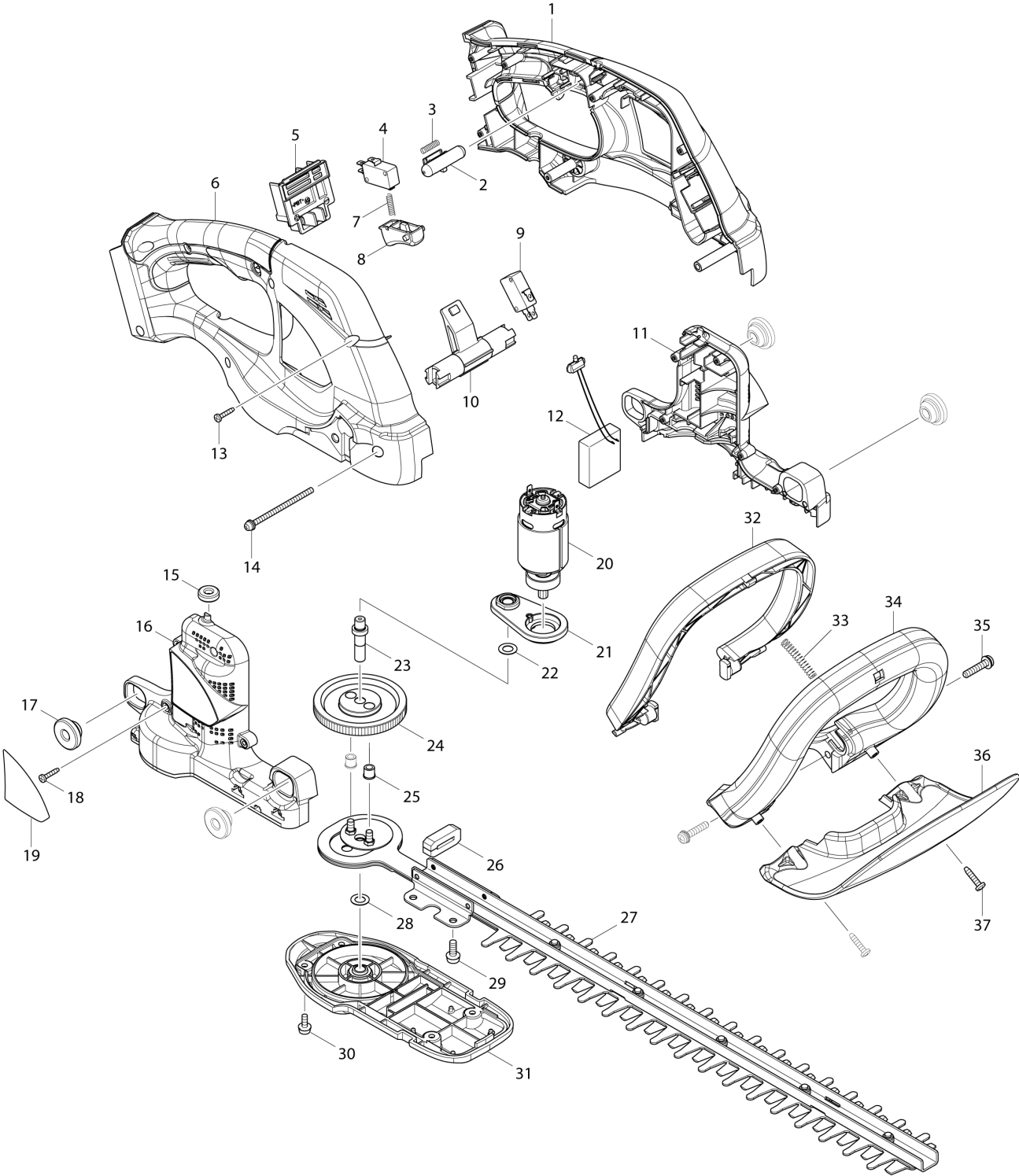
GERMANY

Diagram / Parts List

AH1842

420MM CORDLESS HEDGE TRIMMER

(DE) AH1842 / 420MM CORDLESS HEDGE TRIMMER



DE	GERMANY
-----------	----------------

AH1842 / 420MM CORDLESS HEDGE TRIMMER

Item	Sub	Parts No.	Parts Description	Qty	I/C	E/C No.	Close No.	Remark
001		187288-0	HANDLE SET	1				
	D10		INC. 6					
002		452438-9	LOCK OFF BUTTON	1				
003		231473-8	COMPRESSION SPRING 4	1				
004		651852-8	SWITCH V-15-1A5	1				
005		643862-9	TERMINAL	1				
006		187288-0	HANDLE SET	1				
	D10		INC. 1					
007		231473-8	COMPRESSION SPRING 4	1				
008		417564-1	SWITCH LEVER	1				
009		651852-8	SWITCH V-15-1A5	1				
010		452681-0	SWITCH ARM	1				
011		187291-1	MOTOR HOUSING SET	1			D1922	
	D10		INC. 16				D1922	
011-1		183P37-9	MOTOR HOUSING SET	1	S	D1922		
	D10		INC. 16			D1922		
012		638964-4	CONTROLLER UNIT	1				
013		266429-2	TAPPING SCREW 3X16	6				
014		911193-7	PAN HEAD SCREW M4X65	1				
015		424195-9	RUBBER RING 6	1				
016		187291-1	MOTOR HOUSING SET	1			D1922	
	D10		INC. 11				D1922	
016-1		183P37-9	MOTOR HOUSING SET	1	S	D1922		
	D10		INC. 11			D1922		
017		424394-3	RUBBER RING 8	4				
018		266429-2	TAPPING SCREW 3X16	5				
019		896825-6	AH-1842 NAME PLATE	1				
020		629930-2	DC MOTOR	1			D1922	
020-1		629450-6	DC MOTOR	1	S	D1922		
021		141211-9	BEARING BOX COMPLETE	1				
	C10	263002-9	RUBBER PIN 4	1				
022		253215-0	FLAT WASHER 8	1				
023		326034-8	SPINDLE	1				
024		227281-3	SPUR GEAR 93	1				
025		262570-9	NYLON SLEEVE 5	2				
026		423417-4	DUST GUARD	1				
027		195770-5	SHEAR BLADE COMPLETE SET	1				
	C10	188605-7	OIL VESSEL SET	1				
	C20	262570-9	NYLON SLEEVE 5	2				
028		253215-0	FLAT WASHER 8	1				
029		911218-7	PAN HEAD SCREW M5X14	4				
030		911113-1	PAN HEAD SCREW M4X10 WITH WR	4				
031		453317-4	UNDER COVER	1				
032		452679-7	SWITCH LEVER B	1				
033		234261-2	COMPRESSION SPRING 5	1				
034		452682-8	FRONT GRIP	1				
035		911243-8	PAN HEAD SCREW M5X25	2				
036		453316-6	PROTECTOR	1				
037		265995-6	TAPPING SCREW 4X18	2				
A01		452683-6	BLADE COVER	1				
A02B		195766-6	BATTERY AP-18 SET	1			99806	
A02C		195766-6	BATTERY AP-18 SET	2			99806	
A02-1B		196372-0	BATTERY AP-1813 SET	1	O	99806	A5808	
A02-1C		196372-0	BATTERY AP-1813 SET	2	O	99806	A5808	
A02-2B		196372-0	BATTERY AP-1813 SET	1	O	A5808	B2304	
A02-2C		196372-0	BATTERY AP-1813 SET	2	O	A5808	B2304	
A02-3B		196366-5	BATTERY BL1813G SET	1	<	B2304	B4484	
A02-3C		196366-5	BATTERY BL1813G SET	2	<	B2304	B4484	
A02-4B		198186-3	BATTERY BL1815G SET	1	<	B4484	DH596	
A02-4C		198186-3	BATTERY BL1815G SET	2	<	B4484	DH596	
A02-5B		198186-3	BATTERY BL1815G SET	1	<	DH596		
A02-5C		198186-3	BATTERY BL1815G SET	2	<	DH596		
A03B		***LG18	LG-18 BATTERY CHARGER	1			B2305	
A03C		***LG18	LG-18 BATTERY CHARGER	1			B2305	
A03-1B		***DC18WA	DC18WA BATTERY CHARGER	1	O	B2305		

A:AH-1842(N)
B:AH-1842LG(H)
C:AH-1842LGE(H)

Interchange
O : Yes
X : No
< : the new part can be substituted for the current.
> : the current part can be substituted for the new.
S : Interchangeable as a set.

