



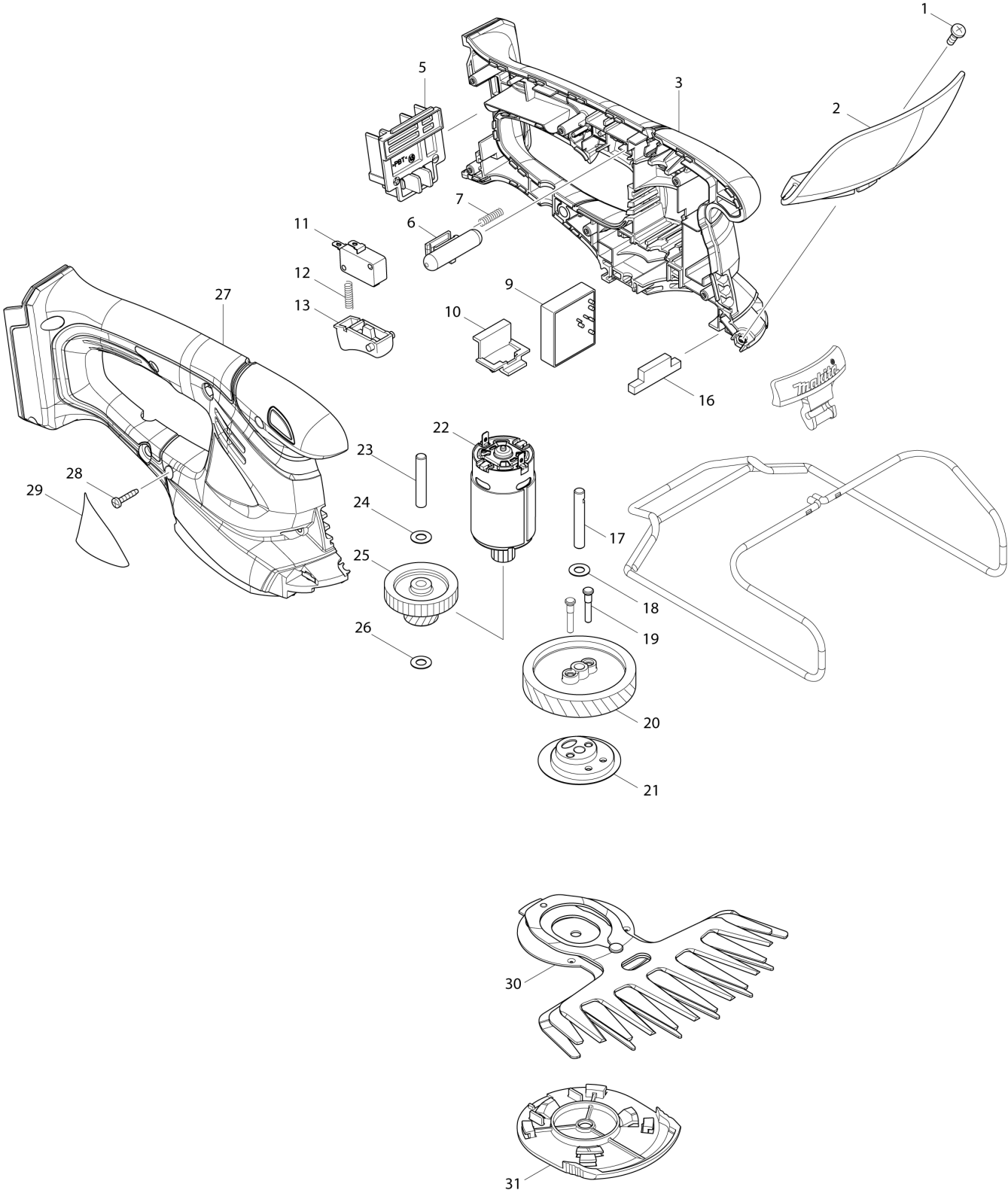
DE	GERMANY
----	---------

Diagram / Parts List

AX1820

160MM CORDLESS GRASS SHEAR

(DE) AX1820 / 160MM CORDLESS GRASS SHEAR



DE	GERMANY
-----------	----------------

AX1820 / 160MM CORDLESS GRASS SHEAR

Item	Sub	Parts No.	Parts Description	Qty	I/C	E/C No.	Close No.	Remark
001		915116-7	BINDING HEAD SCREW M4X12	1				
002		140599-4	PROTECTOR COMPLETE	1				
	C10	819948-3	CAUTION LABEL	1			DK032	
	C11	819948-3	CAUTION LABEL	1	<	DK032		
003		187298-7	HOUSING SET	1				
	C10	931102-0	HEX. NUT M4	1				
	C20	346275-0	PLATE	2				
	D10		INC. 27					
005		643862-9	TERMINAL	1				
006		452438-9	LOCK OFF BUTTON	1				
007		231473-8	COMPRESSION SPRING 4	1				
009		620118-7	CONTROLLER	1				
010		451812-8	LOCK LEVER	1				
011		651891-8	SWITCH V-15-3A6	1				
012		231473-8	COMPRESSION SPRING 4	1				
013		417564-1	SWITCH LEVER	1				
016		451814-4	DUST GUARD	1				
017		268254-7	PIN 6	1				
018		261122-3	WASHER 6	1				
019		268256-3	PIN 4	2				
020		227728-7	HELICAL GEAR 47	1				
021		165609-6	CRANK COMPLETE	1				
022		629945-9	DC MOTOR	1				
023		268076-5	PIN 6	1				
024		261122-3	WASHER 6	1				
025		226831-1	GEAR 12-31	1				
026		261122-3	WASHER 6	1				
027		187298-7	HOUSING SET	1				
	C10	931102-0	HEX. NUT M4	1				
	C20	346275-0	PLATE	2				
	D10		INC. 3					
028		266429-2	TAPPING SCREW 3X16	6				
029		896928-6	AX-1820 NAME PLATE	1				
030		195242-0	SHEAR BLADE ASSEMBLY SET	1			D1118	
	C10	188369-3	OIL VESSEL SET	1			D1118	
030-1		195242-0	SHEAR BLADE ASSEMBLY SET	1	O	D1118		
	C10	188369-3	OIL VESSEL SET	1		D1118		
031		140451-6	UNDER COVER COMPLETE	1				
A01		326146-7	BASE FRAME	1				
A02		452076-7	CHANGE LEVER	1				
A03		452055-5	BLADE COVER	1				
A04B		***LG18	LG-18 BATTERY CHARGER	1			B2305	
A04C		***LG18	LG-18 BATTERY CHARGER	1			B2305	
A04D		***LG18	LG-18 BATTERY CHARGER	1			B2305	
A04-1B		***DC18WA	DC18WA BATTERY CHARGER	1	O	B2305		
A04-1C		***DC18WA	DC18WA BATTERY CHARGER	1	O	B2305		
A04-1D		***DC18WA	DC18WA BATTERY CHARGER	1	O	B2305		
A05B		195766-6	BATTERY AP-18 SET	1			99806	
A05C		195766-6	BATTERY AP-18 SET	2			99806	
A05-1B		196372-0	BATTERY AP-1813 SET	1	O	99806	A5808	
A05-1C		196372-0	BATTERY AP-1813 SET	2	O	99806	A5808	
A05-1D		196372-0	BATTERY AP-1813 SET	1			A5808	
A05-2B		196372-0	BATTERY AP-1813 SET	1	O	A5808	B2304	
A05-2C		196372-0	BATTERY AP-1813 SET	2	O	A5808	B2304	
A05-2D		196372-0	BATTERY AP-1813 SET	1	O	A5808	B2304	
A05-3B		196366-5	BATTERY BL1813G SET	1	<	B2304	B4484	
A05-3C		196366-5	BATTERY BL1813G SET	2	<	B2304	B4484	
A05-3D		196366-5	BATTERY BL1813G SET	1	<	B2304	B4484	
A05-4B		198186-3	BATTERY BL1815G SET	1	<	B4484	DH596	
A05-4C		198186-3	BATTERY BL1815G SET	2	<	B4484	DH596	
A05-4D		198186-3	BATTERY BL1815G SET	1	<	B4484	DH596	
A05-5B		198186-3	BATTERY BL1815G SET	1	<	DH596		
A05-5C		198186-3	BATTERY BL1815G SET	2	<	DH596		
A05-5D		198186-3	BATTERY BL1815G SET	1	<	DH596		
A06C		195243-8	SHEAR BLADE ASSEMBLY SET	1				

A:AX-1820(N)
 B:AX-1820LG(H)
 C:AY-1820LGE(H)
 D:AY-1820LG(H)

Interchange
 O : Yes
 X : No
 < : the new part can be substituted for the current.
 > : the current part can be substituted for the new.
 S : Interchangeable as a set.

