



DE

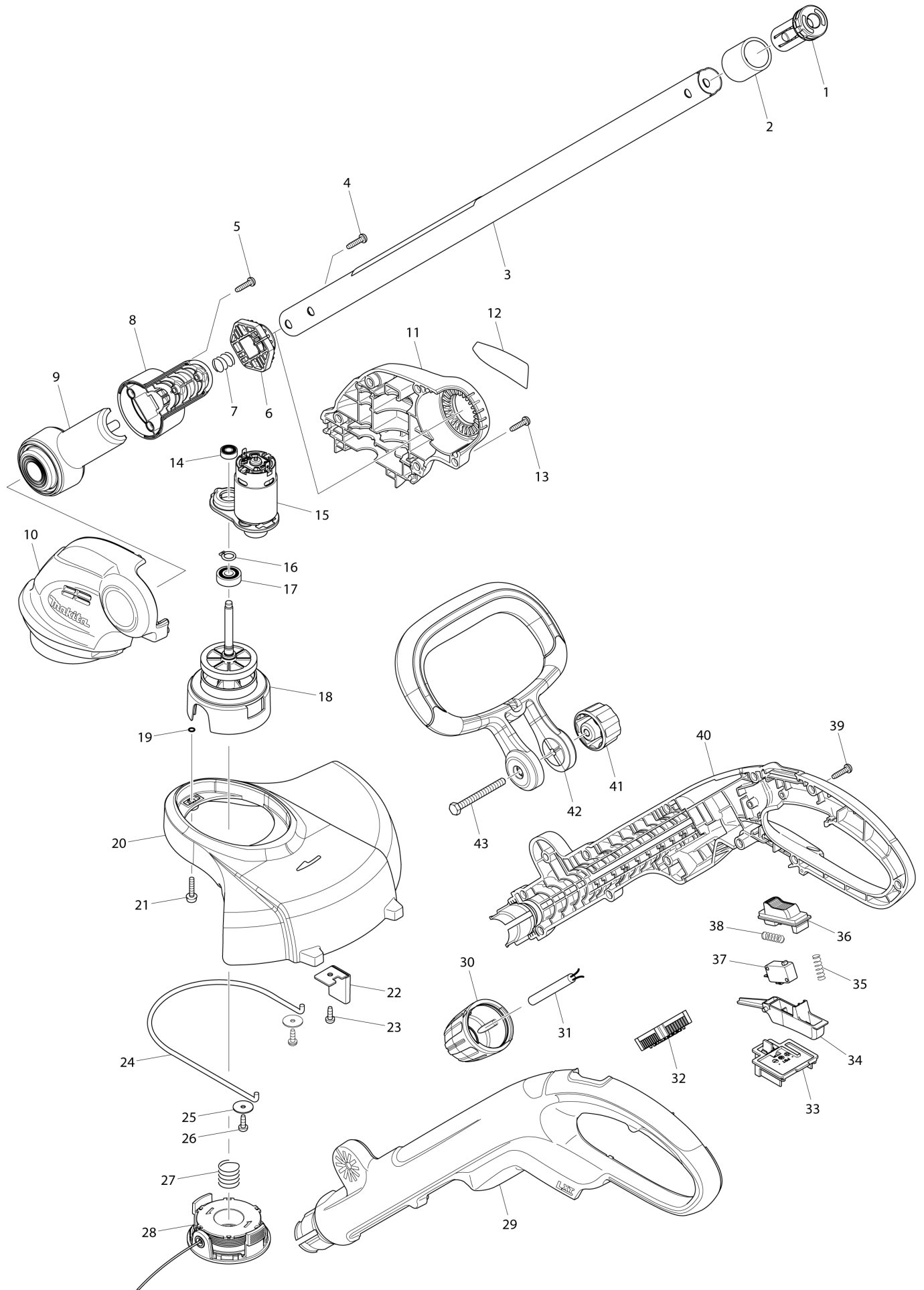
GERMANY

# Diagram / Parts List

**AT1827H**

**260MM CORDLESS STRING TRIMMER**

(DE) AT1827H / 260MM CORDLESS STRING TRIMMER



### AT1827H / 260MM CORDLESS STRING TRIMMER

Item	Sub	Parts No.	Parts Description	Qty	I/C	E/C No.	Close No.	Remark
001		453357-2	PIPE CAP	1				
002		422089-2	RUBBER SLEEVE 25	1				
003		141339-3	PIPE25 COMPLETE	1				
	C10	890862-2	CAUTION LABEL	1				
004		265995-6	TAPPING SCREW 4X18	2				
005		265995-6	TAPPING SCREW 4X18	2				
006		451896-6	LOCK OFF BUTTON B	1				
007		231113-8	COMPRESSION SPRING 12	1				
008		188870-8	PIPE HOLDER SET	1				
	D10		INC. 9					
009		188870-8	PIPE HOLDER SET	1				
	D10		INC. 8					
010		187414-1	MOTOR HOUSING SET	1			DC610	
	C10	263002-9	RUBBER PIN 4	2			DC610	
	C20	263005-3	RUBBER PIN 6	2			DC610	
	C30	931102-0	HEX. NUT M4	2			DC610	
	D10		INC. 11				DC610	
010-1		187414-1	MOTOR HOUSING SET	1	O	DC610		
	C10	263002-9	RUBBER PIN 4	2		DC610		
	C20	263005-3	RUBBER PIN 6	2		DC610		
	C30	931102-0	HEX. NUT M4	2		DC610		
	D10		INC. 11			DC610		
011		187414-1	MOTOR HOUSING SET	1			DC610	
	C10	263002-9	RUBBER PIN 4	2			DC610	
	C20	263005-3	RUBBER PIN 6	2			DC610	
	C30	931102-0	HEX. NUT M4	2			DC610	
	D10		INC. 10				DC610	
011-1		187414-1	MOTOR HOUSING SET	1	O	DC610		
	C10	263002-9	RUBBER PIN 4	2		DC610		
	C20	263005-3	RUBBER PIN 6	2		DC610		
	C30	931102-0	HEX. NUT M4	2		DC610		
	D10		INC. 10			DC610		
012		815V45-5	AT-1827H NAME PLATE	1				
013		265995-6	TAPPING SCREW 4X18	5				
014		210006-2	BALL BEARING 696ZZ	1				
015		629932-8	DC MOTOR	1				
016		961004-6	RETAINING RING (EXT) S-8	1				
017		211032-4	BALL BEARING 608ZZ	1			DF536	
017-1		210191-1	BALL BEARING 608ZZ	1	O	DF536		
018		141338-5	GEAR SHAFT COMPLETE	1				
	C10	227283-9	SPUR GEAR 48	1				
	C20	266744-4	+ PAN HEAD SCREW M4X8	1				
	C30	326159-8	GEAR SHAFT	1				
	C40	453360-3	SPOOL HOLDER	1				
019		213023-1	O RING 4	2				
020		453353-0	SAFETY COVER	1				
021		911139-3	PAN HEAD SCREW M4X20 WG	2				
022		123169-4	CORD CUTTER ASSEMBLY	1				
023		266020-6	TAPPING SCREW 4X12	1				
024		326128-9	WIRE GUARD	1				
025		267071-2	FLAT WASHER 4	2				
026		266020-6	TAPPING SCREW 4X12	2				
027		231352-0	COMPRESSION SPRING 17	1				
028		195859-9	SPOOL SET	1				
029		187418-3	HANDLE SET	1				
	C10	263005-3	RUBBER PIN 6	2				
	D10		INC. 40					
030		453344-1	LOCK SLEEVE	1				
031		699058-0	POWER SUPPLY CORD UNIT	1			D9621	
031-1		660260-2	POWER SUPPLY CORD #16-2-0.2	1	O	D9621		
032		620112-9	CONTROLLER	1			C3346	
032-1		632M91-7	CONTROLLER UNIT	1	S	C3346		
033		643852-2	TERMINAL	1				
034		453338-6	SWITCH LEVER	1				
035		233068-3	COMPRESSION SPRING 6	1				

E:AT-1827H(N)  
F:AT-1827LG(H)

Interchange  
O : Yes  
X : No  
< : the new part can be substituted for the current.  
> : the current part can be substituted for the new.  
S : Interchangeable as a set.

