



DE

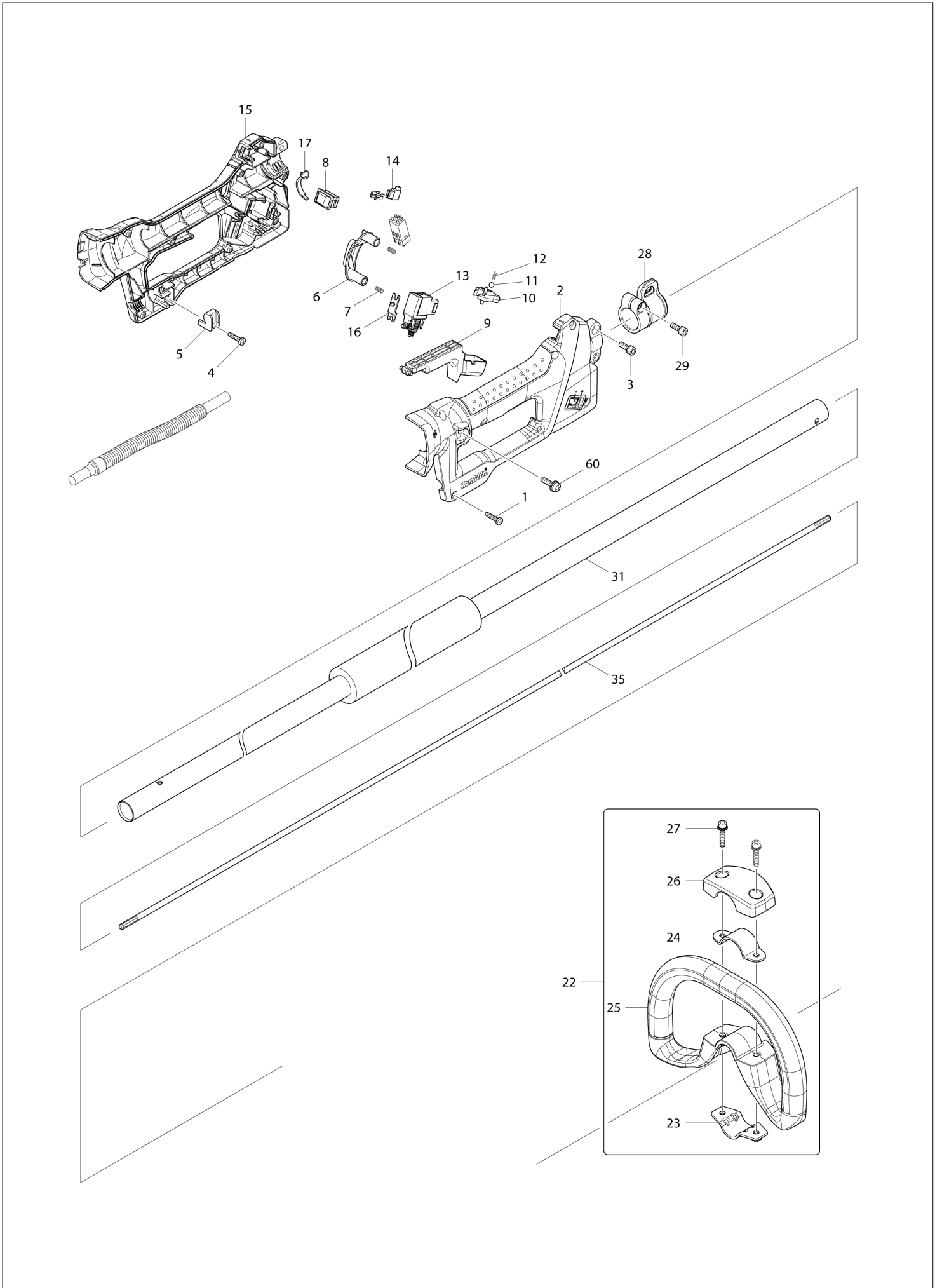
GERMANY

# Diagram / Parts List

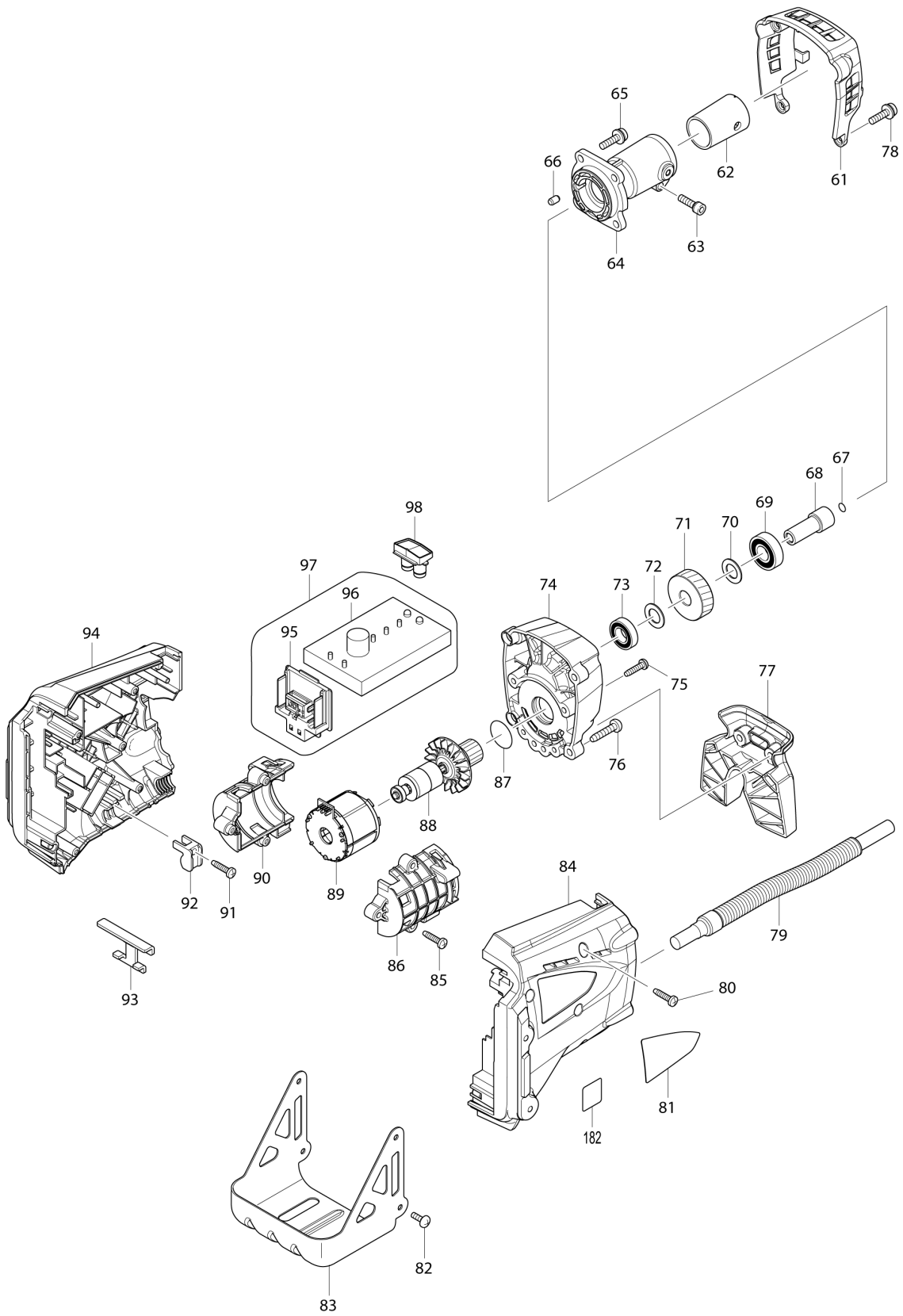
**AE3649**

**490MM CRDLSS POLE HDG TRIMMER**

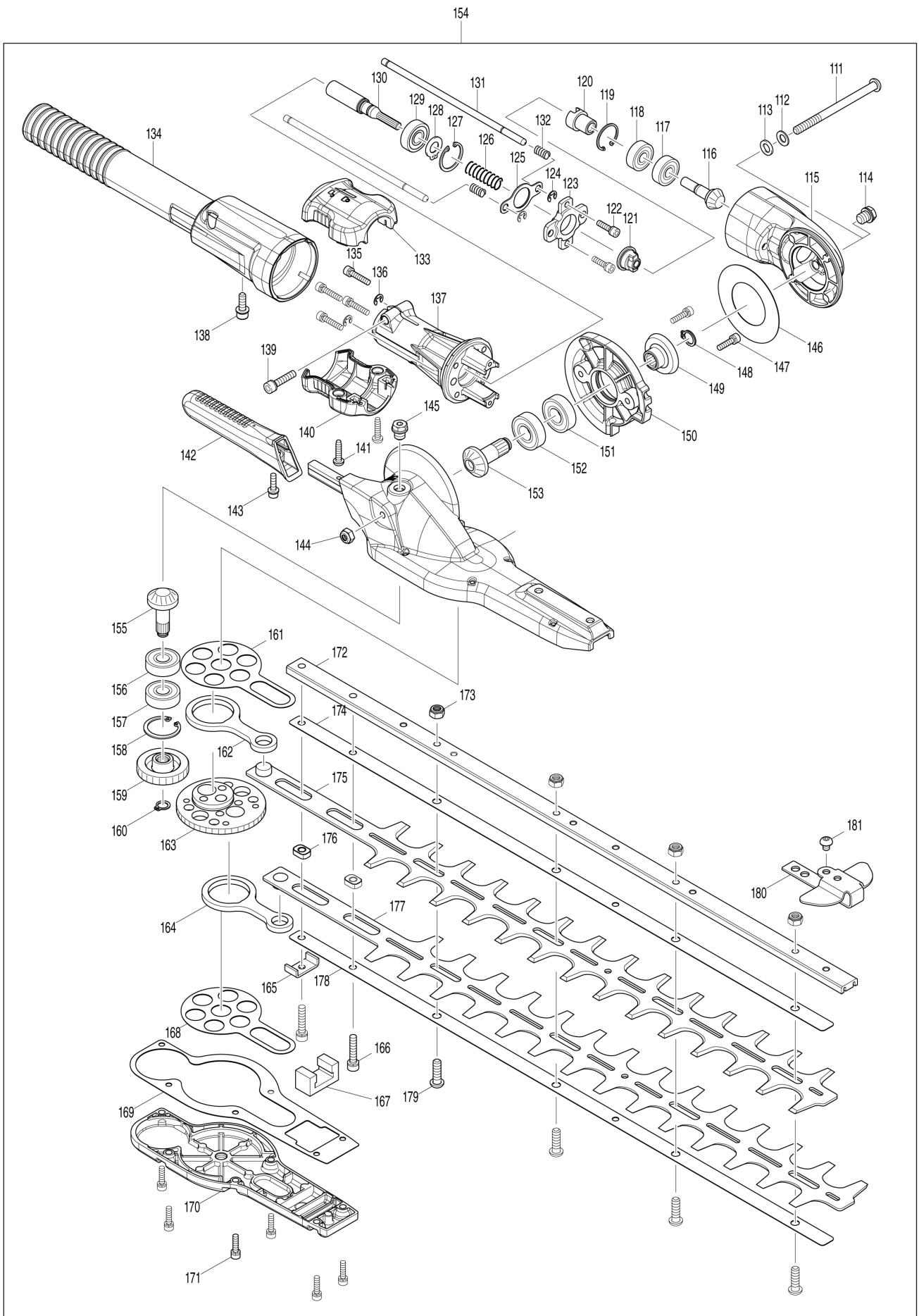
(DE) AE3649 / 490MM CRDLSS POLE HDG TRIMMER



(DE) AE3649 / 490MM CRDLSS POLE HDG TRIMMER



(DE) AE3649 / 490MM CRDLSS POLE HDG TRIMMER



<b>DE</b>	<b>GERMANY</b>
-----------	----------------

### AE3649 / 490MM CRDLSS POLE HDG TRIMMER

Item	Sub	Parts No.	Parts Description	Qty	I/C	E/C No.	Close No.	Remark
001		265995-6	TAPPING SCREW 4X18	8				
002		188840-7	GRIP SET	1				
	D10		INC. 15					
003		922228-9	H.S.H.BOLT M5X18 WITH WR	1				
004		265995-6	TAPPING SCREW 4X18	1				
005		687261-5	STRAIN RELIEF	1				
006		451983-1	LOCK OFF BUTTON	1				
007		233054-4	COMPRESSION SPRING 4	2				
008		651533-4	SWITCH SLE6A2-33	1				
009		451984-9	SWITCH LEVER	1				
010		451986-5	INDICATOR	1				
011		216018-3	STEEL BALL 5.0	1				
012		233211-4	COMPRESSION SPRING 2	1				
013		650630-3	SWITCH TGR3-3	1				
014		686015-7	RECEPTACLE SLEEVE	1				
015		188840-7	GRIP SET	1				
	D10		INC. 2					
016		451982-3	LINK PLATE	1				
017		451985-7	LEAD COVER	1				
022		195626-2	LOOP HANDLE SET	1				
	D10		INC. 23-27					
023		346467-1	CLAMP 24	1			B3698	
023-1		347094-7	CLAMP 24	1	O	B3698		
024		346468-9	CLAMP 33	1				
025		452841-4	LOOP HANDLE	1				
026		452843-0	CLAMP COVER B	1				
027		922243-3	HEX. SOCKET HEAD BOLT M5X25	2				
028		168478-4	HANGER	1				
029		922228-9	H.S.H.BOLT M5X18 WITH WR	1				
031		142317-6	GRIP PIPE COMPLETE	1			B0441	
	C10	802C01-0	CAUTION LABEL	1			B0441	
	C20	808723-2	CAUTION LABEL	1			B0441	
	C30	893671-8	DOLMAR LOGO LABEL	1			B0441	
031-1		143922-2	GRIP PIPE COMPLETE	1	<	B0441		
	C10	802C01-0	CAUTION LABEL	1		B0441		
	C20	808723-2	CAUTION LABEL	1		B0441		
	C30	893671-8	DOLMAR LOGO LABEL	1		B0441		
035		325812-3	SHAFT	1				
060		911233-1	PAN HEAD SCREW M5X20	1				
061		451981-5	GEAR BOX COVER	1				
062		424307-4	PIPE RUBBER	1				
063		922231-0	HEX. SOCKET HEAD BOLT M5X20	1				
064		318560-1	PIPE BRACKET	1				
065		911233-1	PAN HEAD SCREW M5X20	4				
066		263002-9	RUBBER PIN 4	1				
067		213045-1	O-RING 6	1				
068		325811-5	SPINDLE HUB	1				
069		211148-5	BALL BEARING 6001ZZ	1				
070		253744-3	FLAT WASHER 12	1				
071		227720-3	HELICAL GEAR 33	1				
072		253744-3	FLAT WASHER 12	1				
073		211150-8	BALL BEARING 6901ZZ	1				
074		318559-6	GEAR BOX	1				
075		265995-6	TAPPING SCREW 4X18	4				
076		266041-8	TAPPING SCREW 5X25	4				
077		451572-2	STAND	1				
078		911233-1	PAN HEAD SCREW M5X20	2				
079		699047-5	POWER SUPPLY CORD UNIT	1				
080		265995-6	TAPPING SCREW 4X18	5				
081		814U97-7	AE-3649 NAME PLATE	1				
082		251314-2	+ SCREW M4X12	4				
083		346194-0	BATTERY GUARD	1				
084		188837-6	HOUSING SET	1			A7479	
	D10		INC. 94				A7479	
084-1		183B12-1	HOUSING SET	1	<	A7479	B0032	

A:AE3649(N)  
B:AE3649LE22(H)

Interchange  
O : Yes  
X : No  
< : the new part can be substituted for the current.  
> : the current part can be substituted for the new.  
S : Interchangeable as a set.

<b>DE</b>	<b>GERMANY</b>
-----------	----------------

### AE3649 / 490MM CRDLSS POLE HDG TRIMMER

Item	Sub	Parts No.	Parts Description	Qty	I/C	E/C No.	Close No.	Remark
	D10		INC. 94			A7479	B0032	
084-2		183C18-5	HOUSING SET	1	S	B0032		
	D10		INC. 94			B0032		
085		265995-6	TAPPING SCREW 4X18	3				
086		188838-4	MOTOR HOUSING SET	1				
	D10		INC. 90					
087		213961-7	O RING 22	1				
088		619254-4	ROTOR	1				
089		629880-1	STATOR	1				
090		188838-4	MOTOR HOUSING SET	1				
	D10		INC. 86					
091		265995-6	TAPPING SCREW 4X18	1				
092		687261-5	STRAIN RELIEF	1				
093		346039-2	SUPPORT PLATE	1				
094		188837-6	HOUSING SET	1			A7479	
	D10		INC. 84				A7479	
094-1		183B12-1	HOUSING SET	1	<	A7479	B0032	
	D10		INC. 84			A7479	B0032	
094-2		183C18-5	HOUSING SET	1	S	B0032		
	D10		INC. 84			B0032		
095		643849-1	TERMINAL	1				
096		631942-3	CONTROLLER	1			B0032	
096-1		620496-5	CONTROLLER	1	S	B0032		
097		631941-5	CONTROLLER COMPLETE	1			B0032	
	D10		INC. 95,96				B0032	
097-1		620497-3	CONTROLLER COMPLETE	1	S	B0032		
	D10		INC. 95,96			B0032		
098		140285-7	INDICATION PLATE COMPLETE	1				
111		266817-3	H.S. BUTTON HEAD BOLT M6X85	1				
112		232279-7	CONED DISC SPRING 6	1				
113		941151-9	FLAT WASHER 6	1				
114		266818-1	HEX. SOCKET HEX. BOLT M8X8	1				
115		318969-7	JOINT	1				
116		227604-5	SPIRAL BEVEL GEAR 9	1			DJ695	
116-1		227A84-1	SPIRAL BEVEL GEAR 9	1	S	DJ695		
117		211032-4	BALL BEARING 608ZZ	1			D0926	
117-1		210223-4	BALL BEARING 608ZZ	1	O	D0926		
118		211032-4	BALL BEARING 608ZZ	1			D0926	
118-1		210223-4	BALL BEARING 608ZZ	1	O	D0926		
119		962102-9	RETAINING RING R-22	1				
120		310534-8	CAM A	1				
121		310535-6	CAM B	1				
122		922126-7	HEX. SOCKET HEAD BOLT M4X16	2				
123		313254-3	HOLDER PLATE	1				
124		961011-9	STOP RING E-4	2				
125		346657-6	SLIDE PLATE	1				
126		231297-2	COMPRESSION SPRING 9	1				
127		962103-7	RETAINING RING R-24	1				
128		961005-4	RETAINING RING S-9	1				
129		210049-4	BALL BEARING 609ZZ	1				
130		142000-5	SPINDLE COMPLETE	1				
131		326256-0	ROD 5	2			B3385	
131-1		326812-6	ROD 5	2	<	B3385		
132		233117-6	COMPRESSION SPRING 6	2				
133		187575-7	SLIDE LEVER SET	1				
	D10		INC. 140					
134		454249-8	COVER	1				
135		265493-0	HEX. SOCKET HEAD BOLT M4X20	4				
136		961011-9	STOP RING E-4	2				
137		318970-2	PIPE HOLDER	1				
138		922223-9	H.S.H.BOLT M5X16 WITH WR	1				
139		922241-7	HEX. SOCKET HEAD BOLT M5X25	1				
140		187575-7	SLIDE LEVER SET	1				
	D10		INC. 133					
141		265995-6	TAPPING SCREW 4X18	2				

A:AE3649(N)  
B:AE3649LE22(H)

Interchange  
O : Yes  
X : No  
< : the new part can be substituted for the current.  
> : the current part can be substituted for the new.  
S : Interchangeable as a set.

<b>DE</b>	<b>GERMANY</b>
-----------	----------------

### AE3649 / 490MM CRDLSS POLE HDG TRIMMER

Item	Sub	Parts No.	Parts Description	Qty	I/C	E/C No.	Close No.	Remark
142		454248-0	GRIP	1			A9070	
142-1		456369-4	GRIP	1	S	A9070		
143		922128-3	HEX. SOCKET HEAD BOLT M4X16	1			A9070	
143-1		911516-9	PAN HEAD SCREW M4X12	2	S	A9070		
144		252190-7	HEX.LOCK NUT M6-10	1				
145		266818-1	HEX. SOCKET HEX. BOLT M8X8	1				
146		267467-7	FLAT WASHER 36	1				
147		922126-7	HEX. SOCKET HEAD BOLT M4X16	2				
148		961006-2	RETAINING RING S-10	1				
149		227605-3	SPIRAL BEVEL GEAR 22	1			DJ695	
149-1		227A85-9	SPIRAL BEVEL GEAR 22	1	S	DJ695		
150		310533-0	ANGULAR PLATE	1				
151		211148-5	BALL BEARING 6001ZZ	1				
152		211148-5	BALL BEARING 6001ZZ	1				
153		227606-1	SPIRAL BEVEL GEAR 11	1				
154		142018-6	GEAR HOUSING COMPLETE	1			Y07055	
154-1		126293-2	TRIMMER HEAD ASS'Y	1	<	Y07055	A9070	
	C10	142018-6	GEAR HOUSING COMPLETE	1		Y07055	A9070	
	D10		INC. 111-153,155-181			Y07055	A9070	
154-2		123494-3	TRIMMER HEAD ASSEMBLY	1	<	A9070	Y07211	
	C10	143500-8	GEAR HOUSING COMPLETE	1	S	A9070	Y07211	
	D10		INC. 111-153,155-181			A9070	Y07211	
154-3		135684-6	TRIMMER HEAD ASS'Y	1	O	Y07211	B3385	
	C10	143500-8	GEAR HOUSING COMPLETE	1	S	Y07211	B3385	
	D10		INC. 111-153,155-181			Y07211	B3385	
154-4		135774-5	TRIMMER HEAD ASSEMBLY SET	1	<	B3385		
	C10	143500-8	GEAR HOUSING COMPLETE	1	S	B3385		
	D10		INC. 111-153,155-181			B3385		
155		227607-9	SPIRAL BEVEL GEAR 12	1				
156		211062-5	BALL BEARING 6000ZZ	1				
157		211062-5	BALL BEARING 6000ZZ	1				
158		962105-3	RETAINING RING R-26	1				
159		227317-8	SPUR GEAR 24	1				
160		961004-6	RETAINING RING (EXT) S-8	1				
161		346658-4	PLATE	1				
162		346251-4	CONNECTING ROD	1				
163		227248-1	SPUR GEAR 43	1				
164		346251-4	CONNECTING ROD	1				
165		346256-4	HOLDER	1				
166		922241-7	HEX. SOCKET HEAD BOLT M5X25	2				
167		443159-4	SEAL	1				
168		346658-4	PLATE	1				
169		423458-0	GASKET	1				
170		318968-9	UNDER COVER	1				
171		922126-7	HEX. SOCKET HEAD BOLT M4X16	6				
172		332058-4	GUIDE BAR	1				
173		264089-4	HEX. LOCK NUT M6-10	4				
174		346665-7	PLATE	1				
175		725187-4	SHEAR BLADE	1				
176		313211-1	SLEEVE 5	2				
177		725187-4	SHEAR BLADE	1				
178		346665-7	PLATE	1				
179		266824-6	H.S. BUTTON HEAD BOLT M6X20	4				
180		346629-1	END COVER	1				
181		266075-1	HEX. SOCKET HEAD BOLT M5X6	1				
182		807950-8	SOUND 95DB LABEL	1				
A01		125516-5	BAND ASSEMBLY	1				
A02		454283-8	BLADE COVER	1				
A03		782233-6	BOX DRIVER 10-16	1				
A04		783223-2	HEX. WRENCH 4	1				
A05		831315-2	ACCESSORY BAG	1				
A06B		***LG-3622	LG-3622 BATTERY CHARGER	1				
A07B		195412-1	BATTERY AP-3622 SET	2			A6421	
A07-1B		195412-1	BATTERY AP-3622 SET	2	O	A6421		
A08B		451153-2	BATTERY COVER	2				

A:AE3649(N)  
B:AE3649LE22(H)

Interchange  
O : Yes  
X : No  
< : the new part can be substituted for the current.  
> : the current part can be substituted for the new.  
S : Interchangeable as a set.