



DE

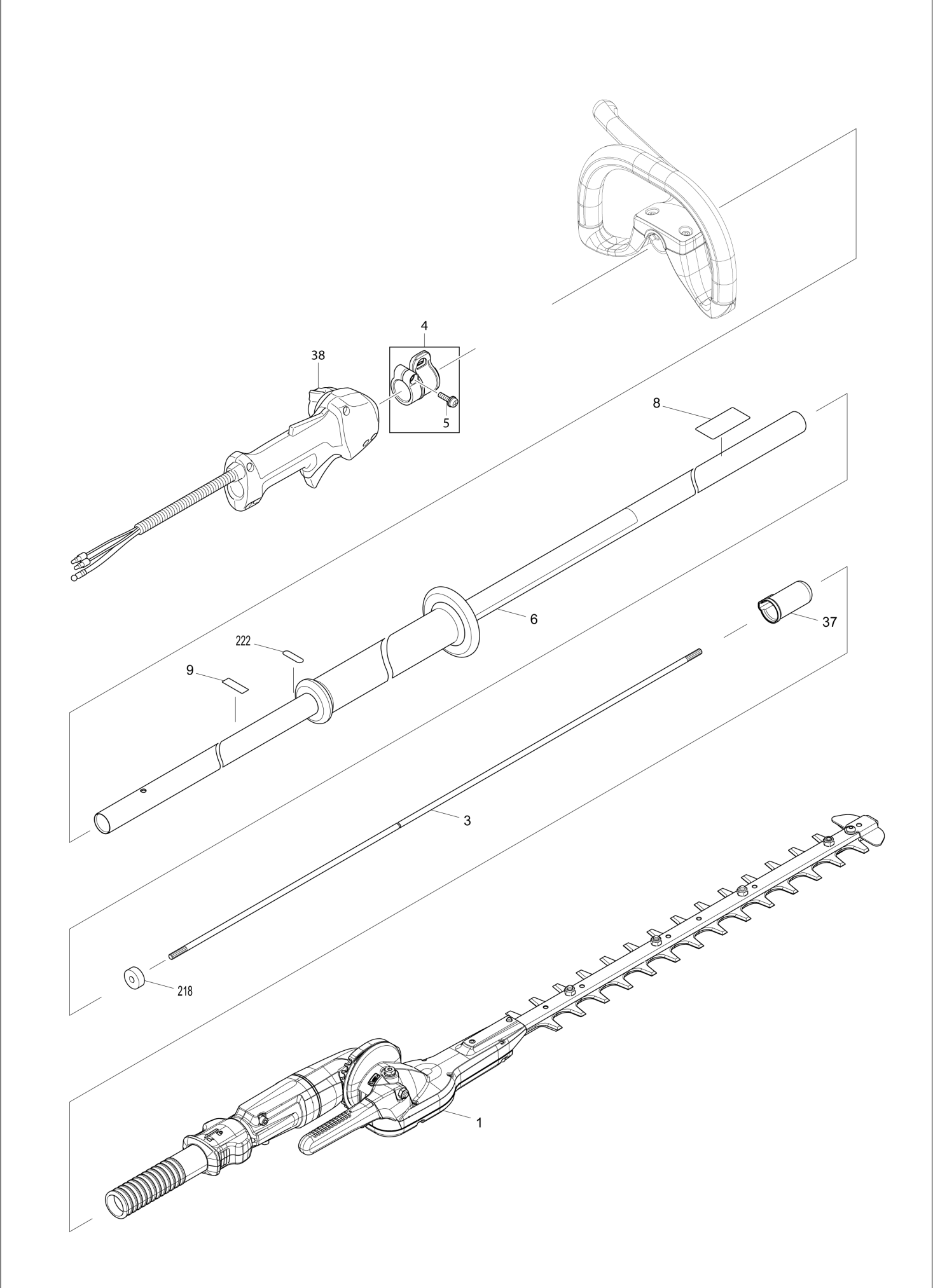
GERMANY

Diagram / Parts List

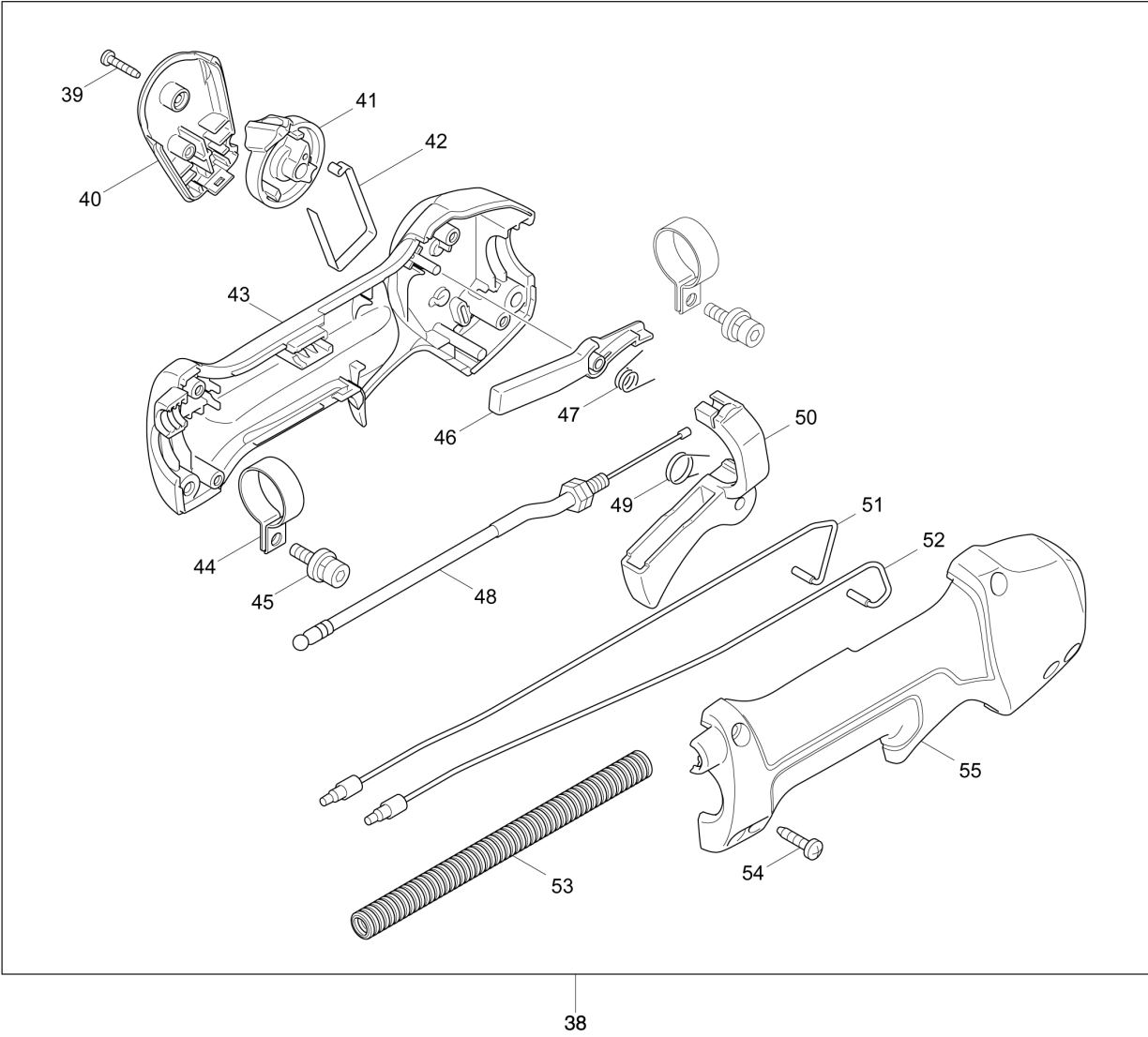
MH246.4D

PETROL POLE HEDGE TRIMMER

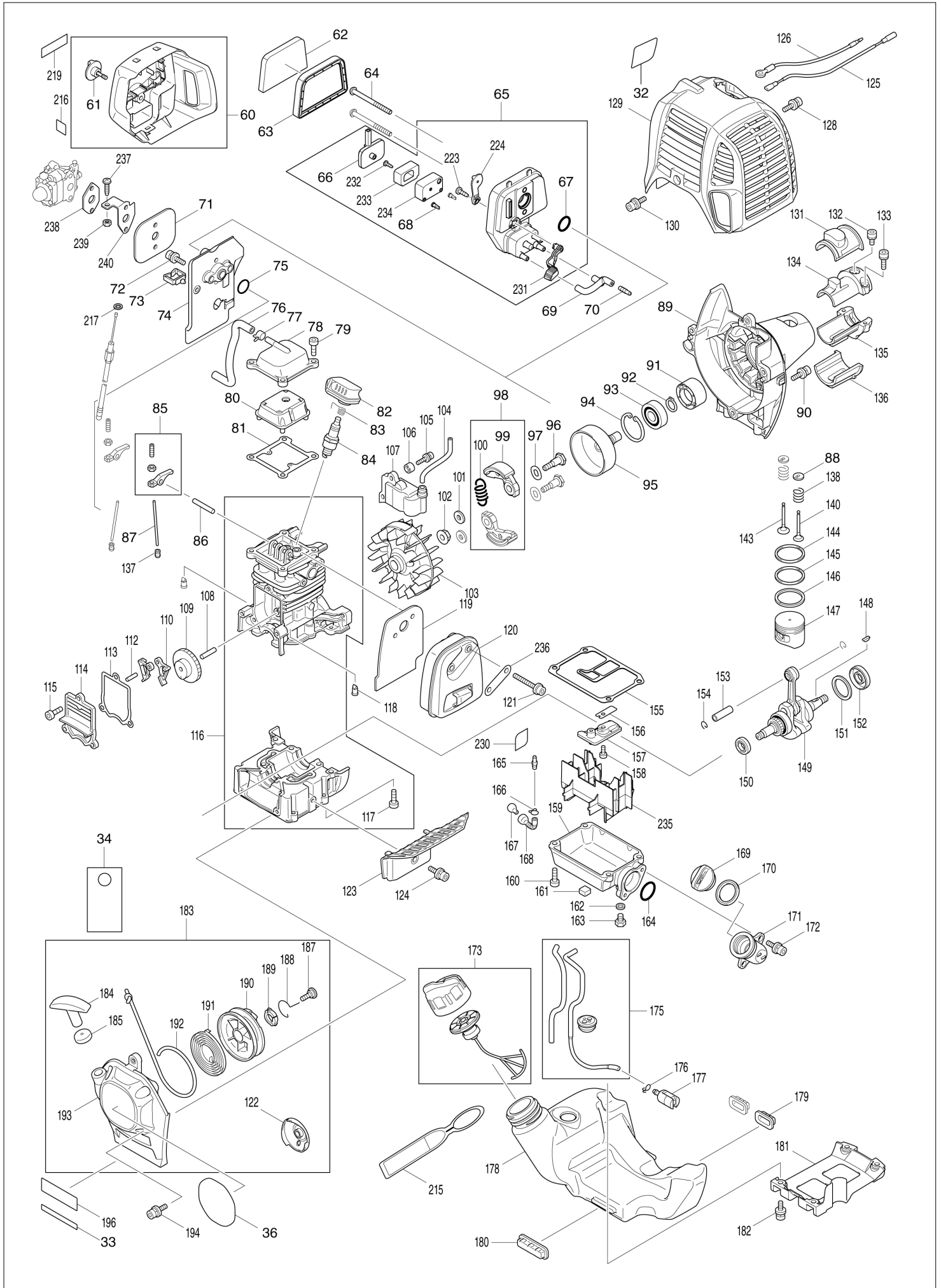
(DE) MH246.4D / PETROL POLE HEDGE TRIMMER



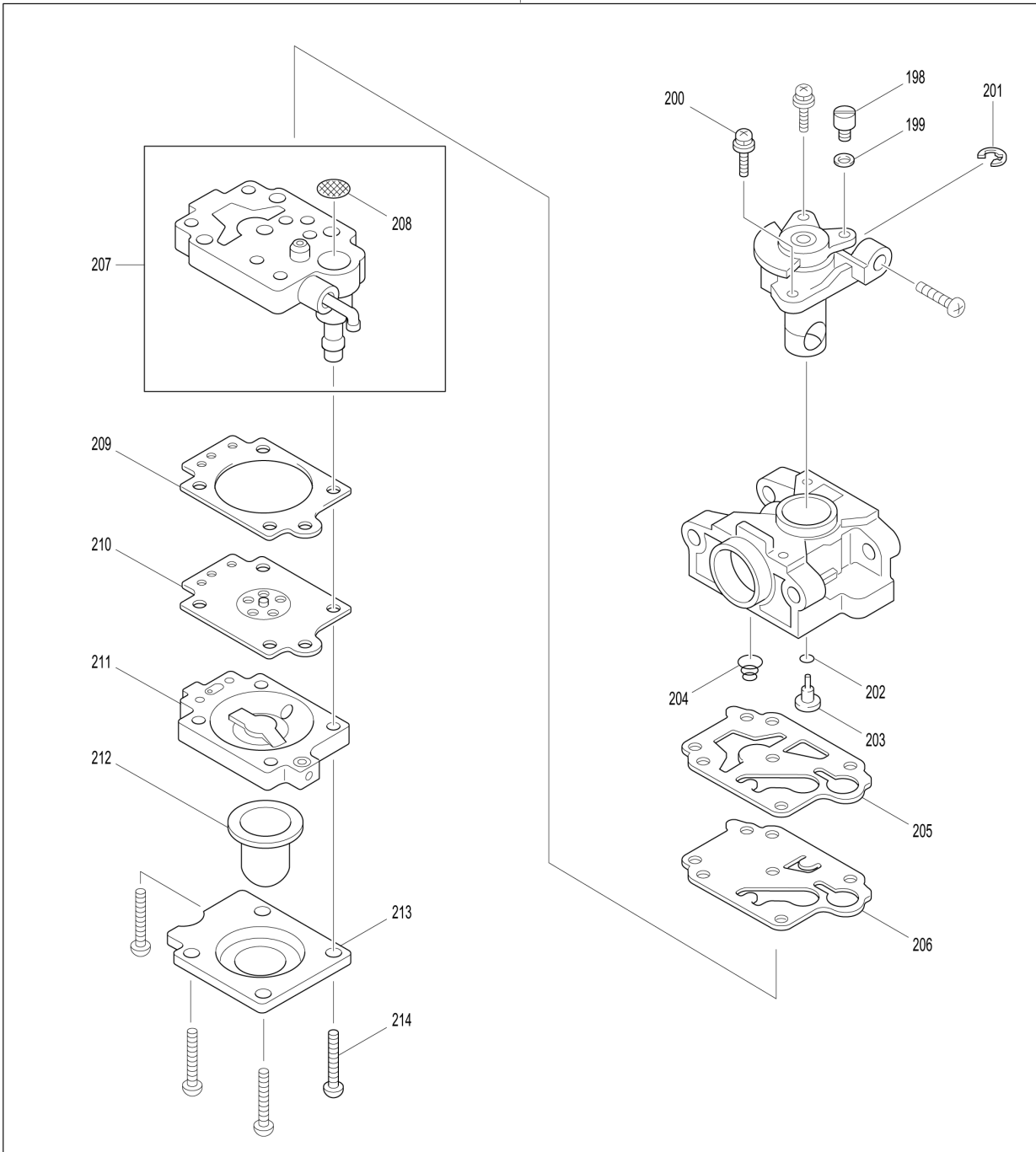
(DE) MH246.4D / PETROL POLE HEDGE TRIMMER



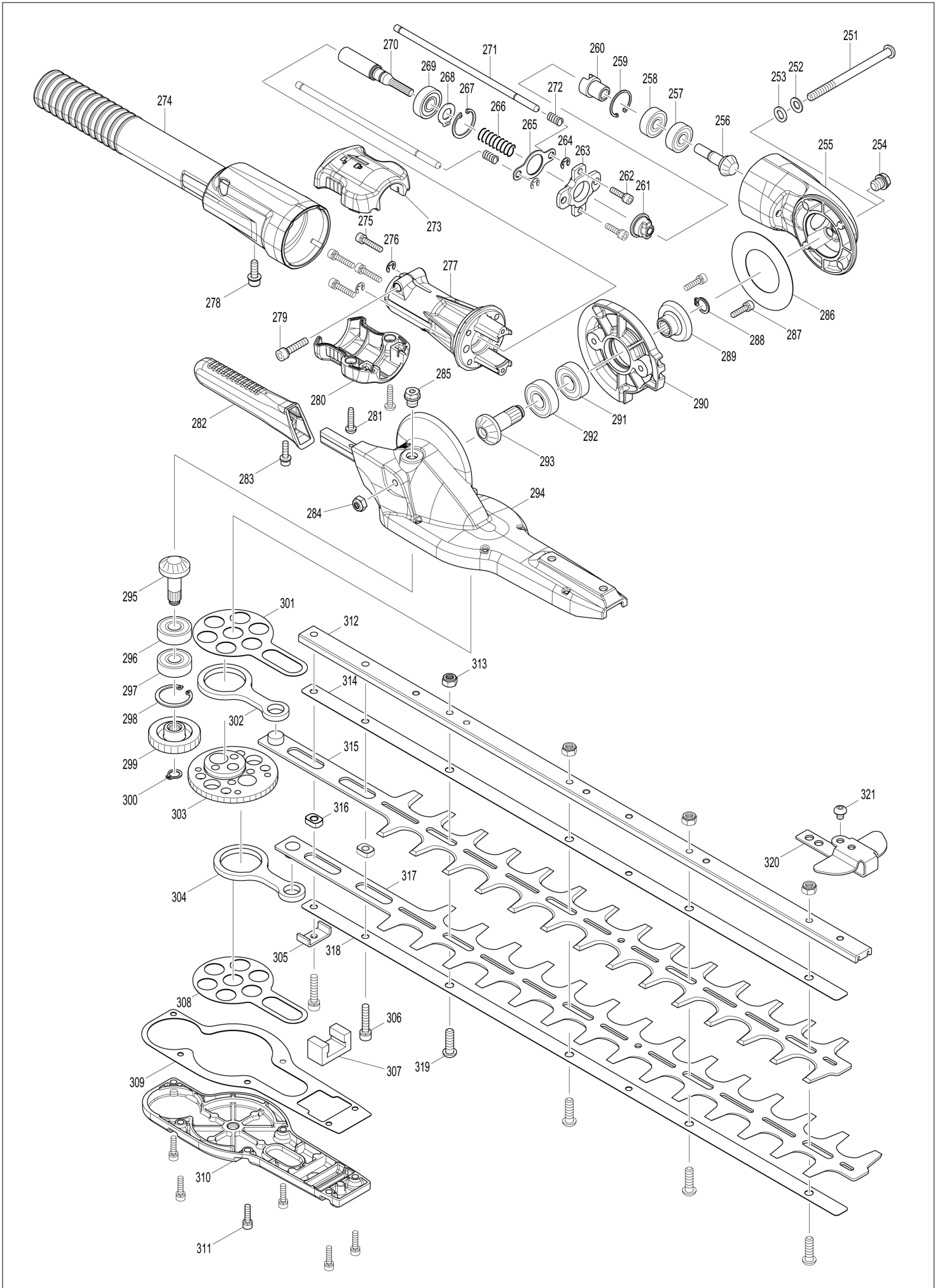
(DE) MH246.4D / PETROL POLE HEDGE TRIMMER



197



(DE) MH246.4D / PETROL POLE HEDGE TRIMMER



DE	GERMANY
-----------	----------------

MH246.4D / PETROL POLE HEDGE TRIMMER

Item	Sub	Parts No.	Parts Description	Qty	I/C	E/C No.	Close No.	Remark
001		126293-2	TRIMMER HEAD ASS'Y	1			Y06747	
001-1		126293-2	TRIMMER HEAD ASS'Y	1	O	Y06747	A9070	
	D10		INC. 251-321			Y06747	A9070	
001-2		123494-3	TRIMMER HEAD ASSEMBLY	1	<	A9070	Y07211	
	D10		INC. 251-321			A9070	Y07211	
001-3		135684-6	TRIMMER HEAD ASS'Y	1	O	Y07211	B3385	
	D10		INC. 251-321			Y07211	B3385	
001-4		135774-5	TRIMMER HEAD ASSEMBLY SET	1	<	B3385		
	D10		INC. 251-321			B3385		
003		324893-4	SHAFT	1			B9070	
003-1		327056-1	SHAFT	1	O	B9070		
004		195143-2	HANGER SET	1				
	D10		INC. 5					
005		911233-1	PAN HEAD SCREW M5X20	1				
006		142026-7	PIPE COMPLETE	1			B0441	
	C10	801C21-1	CAUTION LABEL	1			B0441	
006-1		143932-9	PIPE COMPLETE	1	<	B0441		
	C10	801C21-1	CAUTION LABEL	1		B0441		
008		893671-8	DOLMAR LOGO LABEL	1				
009		801D19-4	SERIAL NO. LABEL	1				
033		816567-6	SERIAL NO. LABEL	1				
034		819430-2	CAUTION TAG	1				
036		801C23-7	MH-246.4D MODEL NO. LABEL	1				
037		424434-7	CAP 24	1				
038		125776-9	CONTROL LEVER ASSEMBLY	1			A2941	
	D10		INC. 39-55				A2941	
038-1		126488-7	CONTROL LEVER ASSEMBLY	1	<	A2941		
	D10		INC. 39-55			A2941		
039		266130-9	TAPPING SCREW BIND PT 3X16	1				
040		451595-0	SWITCH COVER	1				
041		451594-2	SWITCH LEVER	1				
042		232251-9	LEAF SPRING	1				
043		188832-6	LEVER CASE SET	1				
	D10		INC. 55					
044		346248-3	CLAMP 24	2				
045		922218-2	H.S.H.BOLT M5X14 WITH WR	2				
046		451593-4	LOCK LEVER	1				
047		233541-3	TORSION SPRING 7	1				
048		168571-4	CONTROL CABLE	1				
049		233540-5	TORSION SPRING 11	1				
050		451592-6	THROTTLE LEVER	1			A2941	
050-1		455313-8	THROTTLE LEVER	1	<	A2941		
051		638714-7	LEAD UNIT	1				
052		638713-9	LEAD UNIT	1				
053		452071-7	CORRUGATE TUBE	1				
054		266326-2	TAPPING SCREW 4X18	4				
055		188832-6	LEVER CASE SET	1				
	D10		INC. 43					
060		126202-1	CLEANER COVER ASSEMBLY	1			B1277	
	D10		INC. 61				B1277	
060-1		123499-3	CLEANER COVER ASSEMBLY	1	S	B1277		
	D10		INC. 61			B1277		
061		265791-2	THUMB SCREW M4	1				
062		443171-4	AIR CLEANER ELEMENT	1			D4382	
062-1		443171-4	AIR CLEANER ELEMENT	1	O	D4382		
063		443169-1	AIR CLEANER ELEMENT	1				
064		266871-7	H.S.BUTTON HEAD BOLT M5X60	2				
065		126198-6	CLEANER PLATE ASSEMBLY	1			B1277	
	D10		INC. 66-68,223,224,231-234				B1277	
065-1		123501-2	CLEANER PLATE ASSEMBLY	1	S	B1277		
	D10		INC. 66-68,223,224,231-234			B1277		
066		162346-3	SEPARATOR PLATE	1				
067		213540-1	O RING 15	1				
068		424316-3	CHECK VALVE	2				
069		422099-9	PIPE	1				

B:MH246.4D(N)

Interchange
 O : Yes
 X : No
 < : the new part can be substituted for the current.
 > : the current part can be substituted for the new.
 S : Interchangeable as a set.

DE	GERMANY
-----------	----------------

MH246.4D / PETROL POLE HEDGE TRIMMER

Item	Sub	Parts No.	Parts Description	Qty	I/C	E/C No.	Close No.	Remark
070		325665-0	JOINT PIPE	1				
071		442153-3	CARBURETOR GASKET	1				
072		266787-6	H.S.H.BOLT M5X18 WITH WR	2				
073		451825-9	CLAMP	1				
074		451729-5	INSULATOR	1				
075		213547-7	O-RING 12	1				
076		422109-2	BREATHER PIPE	1				
077		345918-1	HOSE CLAMP	1				
078		318745-9	ROCKER COVER OUTER	1				
079		922222-1	HEX. SOCKET HEAD BOLT M5X16	4				
080		453860-3	ROCKER COVER INNER	1				
081		162304-9	ROCKER COVER GASKET	1				
082		424302-4	PLUG CAP	1				
083		324891-8	PLUG CAP SPRING	1				
084		168534-0	SPARK PLUG	1				
085		125554-7	ROCKER ARM ASSEMBLY	2				
086		256200-2	PIN 5	1				
087		256865-0	ROD 2.5	2				
088		325668-4	SPRING RETAINER	2				
089		451735-0	CLUTCH CASE	1				
090		922228-9	H.S.H.BOLT M5X18 WITH WR	3				
091		450569-8	SPACER	1			A1812	
091-1		450569-8	SPACER	1	O	A1812		
092		961052-5	RETAINING RING (EXT) S-12	1				
093		210111-5	BALL BEARING 6201LLU	1				
094		962151-6	RETAINING RING R-32	1				
095		168809-7	CLUTCH DRUM COMPLETE	1			B4725	
095-1		161588-6	CLUTCH DRUM COMPLETE	1	<	B4725		
096		266864-4	SHOULDER HEX. BOLT M6X25	2				
097		267817-6	WASHER 8	2				
098		126135-0	CLUTCH ASSEMBLY	1				
	D10		INC. 99,100					
099		168498-8	CLUTCH SHOE	2			A6620	
099-1		161332-1	CLUTCH SHOE	2	O	A6620		
100		231881-3	TENSION SPRING 7	1				
101		267812-6	WASHER 6	2				
102		264039-9	CONED DISK SPRING HEXNUT M8-13	1			Y06630	
102-1		264039-9	CONED DISK SPRING HEXNUT M8-13	1	<	Y06630		
103		318569-3	FLYWHEEL	1				
104		444021-6	TUBE	1				
105		266602-4	HEX. SOCKET HEAD BOLT M4X20	2				
106		452049-0	SPACER	2				
107		168559-4	IGNITION COIL	1				
108		268238-5	PIN 5	1				
109		125552-1	CAM GEAR ASSEMBLY	1				
110		313169-4	CAM LIFTER	2				
112		268239-3	PIN 4	1				
113		162274-2	CAM GEAR COVER GASKET	1				
114		318443-5	CAM GEAR COVER	1				
115		922222-1	HEX. SOCKET HEAD BOLT M5X16	3				
116		135478-9	CYLINDER BLOCK ASSEMBLY	1			Y06622	
	D10		INC. 117				Y06622	
116-1		135478-9	CYLINDER BLOCK ASSEMBLY	1	<	Y06622		
	D10		INC. 88,117,118			Y06622		
117		922222-1	HEX. SOCKET HEAD BOLT M5X16	6				
118		424201-0	CHECK VALVE	2				
119		346331-6	MUFFLER GASKET	1				
120		168554-4	EXHAUST MUFFLER	1				
121		266440-4	HEX SOCKET HEAD BOLT M5X40	2				
122		168483-1	PULLEY	1				
123		451731-8	MUFFLER PLATE	1				
124		922218-2	H.S.H.BOLT M5X14 WITH WR	1				
125		638707-4	LEAD UNIT	1				
126		638708-2	LEAD UNIT	1				
128		922218-2	H.S.H.BOLT M5X14 WITH WR	1				

B:MH246.4D(N)

Interchange
O : Yes
X : No
< : the new part can be substituted for the current.
> : the current part can be substituted for the new.
S : Interchangeable as a set.

DE	GERMANY
-----------	----------------

MH246.4D / PETROL POLE HEDGE TRIMMER

Item	Sub	Parts No.	Parts Description	Qty	I/C	E/C No.	Close No.	Remark
129		453569-7	CYLINDER COVER	1				
130		922218-2	H.S.H.BOLT M5X14 WITH WR	1				
131		424082-2	BUFFER RUBBER	1				
132		922211-6	H.S.H.BOLT M5X12 WITH W	1				
133		922226-3	HEX. SOCKET HEAD BOLT M5X18	2				
134		318249-1	PIPE HOLDER	1				
135		318250-6	PIPE HOLDER	1				
136		424083-0	BUFFER RUBBER	1				
137		424200-2	SPACER	2				
138		234108-0	COMPRESSION SPRING 9	2				
140		325669-2	EXHAUST VALVE	1			A6512	
140-1		326366-3	EXHAUST VALVE	1	O	A6512		
143		325670-7	INTAKE VALVE	1			A6512	
143-1		326367-1	INTAKE VALVE	1	O	A6512		
144		195145-8	PISTON RING SET	1				
147		318441-9	PISTON	1				
148		254040-2	WOODRUFF KEY 3	1				
149		126359-8	CRANK SHAFT ASSEMBLY	1			B2951	
	D10		INC. 150-152				B2951	
149-1		123774-7	CRANK SHAFT ASSEMBLY	1	<	B2951		
	D10		INC. 150-152			B2951		
150		213148-1	OIL SEAL 10	1			B2951	
150-1		213769-9	OIL SEAL 10	1	<	B2951		
151		267400-9	FLAT WASHER 23	1				
152		213147-3	OIL SEAL 12	1			B2951	
152-1		213089-1	OIL SEAL 12	1	<	B2951		
153		257781-9	PISTON PIN	1				
154		233976-8	CLIP	2				
155		162345-5	OIL CASE GASKET	1				
156		346083-9	LEAD VALVE	1				
157		318910-0	RETAINER PLATE	1				
158		922112-8	HEX. SOCKET HEAD BOLT M4X10	1				
159		318588-9	OIL CASE	1				
160		922222-1	HEX. SOCKET HEAD BOLT M5X16	4				
161		424344-8	DAMPER	1				
162		346305-7	GASKET	1				
163		266611-3	HEX BOLT M6X8	1				
164		213548-5	O-RING 20	1				
165		325665-0	JOINT PIPE	1				
166		282020-8	HOSE CLAMP	1			Y07151	
166-1		282020-8	HOSE CLAMP	1	O	Y07151		
167		325666-8	OIL WEIGHT	1			Y07151	
167-1		325666-8	OIL WEIGHT	1	O	Y07151		
168		424301-6	OIL TUBE	1			Y07151	
168-1		125805-8	OIL TUBE ASSEMBLY	1	S	Y07151		
	C10	424301-6	OIL TUBE	1		Y07151		
	D10		INC. 166,167			Y07151		
169		452047-4	OIL CAP	1				
170		424343-0	GASKET	1				
171		452048-2	OIL PIPE	1				
172		922218-2	H.S.H.BOLT M5X14 WITH WR	2				
173		125728-0	FUEL TANK CAP ASSEMBLY	1			C4429	
173-1		127112-5	FUEL TANK CAP ASSEMBLY	1	O	C4429		
175		168755-4	TUBE COMPLETE	1				
176		282020-8	HOSE CLAMP	1				
177		163518-3	GASOLINE FILTER	1				
178		451736-8	FUEL TANK	1				
179		424080-6	BUFFER RUBBER	2				
180		424081-4	BUFFER RUBBER	1				
181		451737-6	TANK GUARD	1				
182		922218-2	H.S.H.BOLT M5X14 WITH WR	4				
183		195308-6	RECOIL STARTER SET	1				
	D10		INC. 122,184,185,187-193					
184		424319-7	STARTER KNOB	1				
185		424359-5	DAMPER	1				

B:MH246.4D(N)

Interchange
O : Yes
X : No
< : the new part can be substituted for the current.
> : the current part can be substituted for the new.
S : Interchangeable as a set.

DE	GERMANY
-----------	----------------

MH246.4D / PETROL POLE HEDGE TRIMMER

Item	Sub	Parts No.	Parts Description	Qty	I/C	E/C No.	Close No.	Remark
187		266585-8	TAPPING SCREW 5X12	1				
188		325923-4	SWING ARM	1				
189		451938-6	COLLAR	1				
190		451937-8	REEL	1				
191		232258-5	SPIRAL SPRING	1				
192		444023-2	STARTER ROPE	1				
193		451733-4	STARTER CASE	1				
194		922223-9	H.S.H.BOLT M5X16 WITH WR	4				
196		891121-7	DOLMAR LOGO LABEL	1				
197		168762-7	CARBURETOR	1				
	D10		INC. 198-207,209-214					
198		325922-6	SWIVEL	1				
199		413140-9	WASHER	1				
200		266581-6	PAN HEAD SCREW M3X8 WITH W	2			Y06995	
200-1		WJ00096364	SCREW M3X8 WITH WASHER	2	O	Y06995		
201		257964-1	STOP RING E-3	1				
202		213538-8	O RING 2	1				
203		325985-2	JET	1				
204		234183-6	CONICAL COMPRESSION SPRING 5-9	1				
205		442155-9	PUMP GASKET	1				
206		168575-6	PUMP DIAPHRAGM	1			Y07366	
206-1		WJ00009599	PUMP DIAPHRAGM	1	O	Y07366		
207		141737-1	PUMP BODY	1				
	D10		INC. 208					
208		352021-1	INLET SCREEN	1				
209		442154-1	METERING DIAPHRAGM GASKET	1				
210		168620-7	METERING DIAPHRAGM	1				
211		140438-8	AIR PURGE BODY	1				
212		424314-7	PRIMER PUMP	1				
213		346270-0	PRIMER PUMP COVER	1				
214		266582-4	TAPPING SCREW 3X24	4				
215		810455-9	CAUTION PLATE	1				
216		800F73-7	INDICATION LABEL	1				
217		941151-9	FLAT WASHER 6	1				
218		443170-6	FELT	1				
222		808723-2	CAUTION LABEL	1				
223		266427-6	TAPPING SCREW 4X12	1				
224		452219-1	CHOKE PLATE	1				
231		452220-6	CHOKE LEVER	1				
232		266007-8	TAPPING SCREW BIND PT 3X10	1				
233		352020-3	SEPARATOR MESH	1				
234		453865-3	SEPARATOR CASE	1				
235		453862-9	OIL CASE PLATE	1				
236		346732-8	PLATE	1				
237		266887-2	H.L. SOCKET HEAD BOLT M4X17	1			A4604	
237-1		266927-6	H.L. SOCKET HEAD BOLT M4X20	1	S	A4604		
238		442199-9	GASKET	1				
239		931102-0	HEX. NUT M4	1				
240		346730-2	HOLDER	1			A4604	
240-1		346730-2	HOLDER	1	S	A4604		
251		266817-3	H.S. BUTTON HEAD BOLT M6X85	1				
252		232279-7	CONED DISC SPRING 6	1				
253		941151-9	FLAT WASHER 6	1				
254		266818-1	HEX. SOCKET HEX. BOLT M8X8	1				
255		318969-7	JOINT	1				
256		227604-5	SPIRAL BEVEL GEAR 9	1			DJ695	
256-1		227A84-1	SPIRAL BEVEL GEAR 9	1	S	DJ695		
257		211032-4	BALL BEARING 608ZZ	1			DF536	
257-1		210191-1	BALL BEARING 608ZZ	1	O	DF536		
258		211032-4	BALL BEARING 608ZZ	1			DF536	
258-1		210191-1	BALL BEARING 608ZZ	1	O	DF536		
259		962102-9	RETAINING RING R-22	1				
260		310534-8	CAM A	1				
261		310535-6	CAM B	1				
262		922126-7	HEX. SOCKET HEAD BOLT M4X16	2				

B:MH246.4D(N)

Interchange
O : Yes
X : No
< : the new part can be substituted for the current.
> : the current part can be substituted for the new.
S : Interchangeable as a set.

DE	GERMANY
-----------	----------------

MH246.4D / PETROL POLE HEDGE TRIMMER

Item	Sub	Parts No.	Parts Description	Qty	I/C	E/C No.	Close No.	Remark
263		313254-3	HOLDER PLATE	1				
264		961011-9	STOP RING E-4	2				
265		346657-6	SLIDE PLATE	1				
266		231297-2	COMPRESSION SPRING 9	1				
267		962103-7	RETAINING RING R-24	1				
268		961005-4	RETAINING RING S-9	1				
269		210049-4	BALL BEARING 609ZZ	1			DF536	
269-1		210217-9	BALL BEARING 609ZZ	1	O	DF536		
270		142000-5	SPINDLE COMPLETE	1				
271		326256-0	ROD 5	2			B3385	
271-1		326812-6	ROD 5	2	<	B3385		
272		233117-6	COMPRESSION SPRING 6	2				
273		187575-7	SLIDE LEVER SET	1				
	D10		INC. 280					
274		454249-8	COVER	1				
275		265493-0	HEX. SOCKET HEAD BOLT M4X20	4				
276		961011-9	STOP RING E-4	2				
277		318970-2	PIPE HOLDER	1				
278		922223-9	H.S.H.BOLT M5X16 WITH WR	1				
279		922241-7	HEX. SOCKET HEAD BOLT M5X25	1				
280		187575-7	SLIDE LEVER SET	1				
	D10		INC. 273					
281		265995-6	TAPPING SCREW 4X18	2				
282		454248-0	GRIP	1			A9070	
282-1		456369-4	GRIP	1	S	A9070		
283		922128-3	HEX. SOCKET HEAD BOLT M4X16	1			A9070	
283-1		911516-9	PAN HEAD SCREW M4X12	2	S	A9070		
284		252190-7	HEX.LOCK NUT M6-10	1				
285		266818-1	HEX. SOCKET HEX. BOLT M8X8	1				
286		267467-7	FLAT WASHER 36	1				
287		922126-7	HEX. SOCKET HEAD BOLT M4X16	2				
288		961006-2	RETAINING RING S-10	1				
289		227605-3	SPIRAL BEVEL GEAR 22	1			DJ695	
289-1		227A85-9	SPIRAL BEVEL GEAR 22	1	S	DJ695		
290		310533-0	ANGULAR PLATE	1				
291		211148-5	BALL BEARING 6001ZZ	1			DF536	
291-1		210263-2	BALL BEARING 6001ZZ	1	O	DF536		
292		211148-5	BALL BEARING 6001ZZ	1			DF536	
292-1		210263-2	BALL BEARING 6001ZZ	1	O	DF536		
293		227606-1	SPIRAL BEVEL GEAR 11	1				
294		142018-6	GEAR HOUSING COMPLETE	1			A9070	
294-1		143500-8	GEAR HOUSING COMPLETE	1	S	A9070		
295		227607-9	SPIRAL BEVEL GEAR 12	1				
296		211062-5	BALL BEARING 6000ZZ	1				
297		211062-5	BALL BEARING 6000ZZ	1				
298		962105-3	RETAINING RING R-26	1				
299		227317-8	SPUR GEAR 24	1				
300		961004-6	RETAINING RING (EXT) S-8	1				
301		346658-4	PLATE	1				
302		346251-4	CONNECTING ROD	1				
303		227248-1	SPUR GEAR 43	1				
304		346251-4	CONNECTING ROD	1				
305		346256-4	HOLDER	1				
306		922241-7	HEX. SOCKET HEAD BOLT M5X25	2				
307		443159-4	SEAL	1				
308		346658-4	PLATE	1				
309		423458-0	GASKET	1				
310		318968-9	UNDER COVER	1				
311		922126-7	HEX. SOCKET HEAD BOLT M4X16	6				
312		332058-4	GUIDE BAR	1				
313		264089-4	HEX. LOCK NUT M6-10	4				
314		346665-7	PLATE	1				
315		725187-4	SHEAR BLADE	1				
316		313211-1	SLEEVE 5	2				
317		725187-4	SHEAR BLADE	1				

B:MH246.4D(N)

Interchange
O : Yes
X : No
< : the new part can be substituted for the current.
> : the current part can be substituted for the new.
S : Interchangeable as a set.

