



DE	GERMANY
----	---------

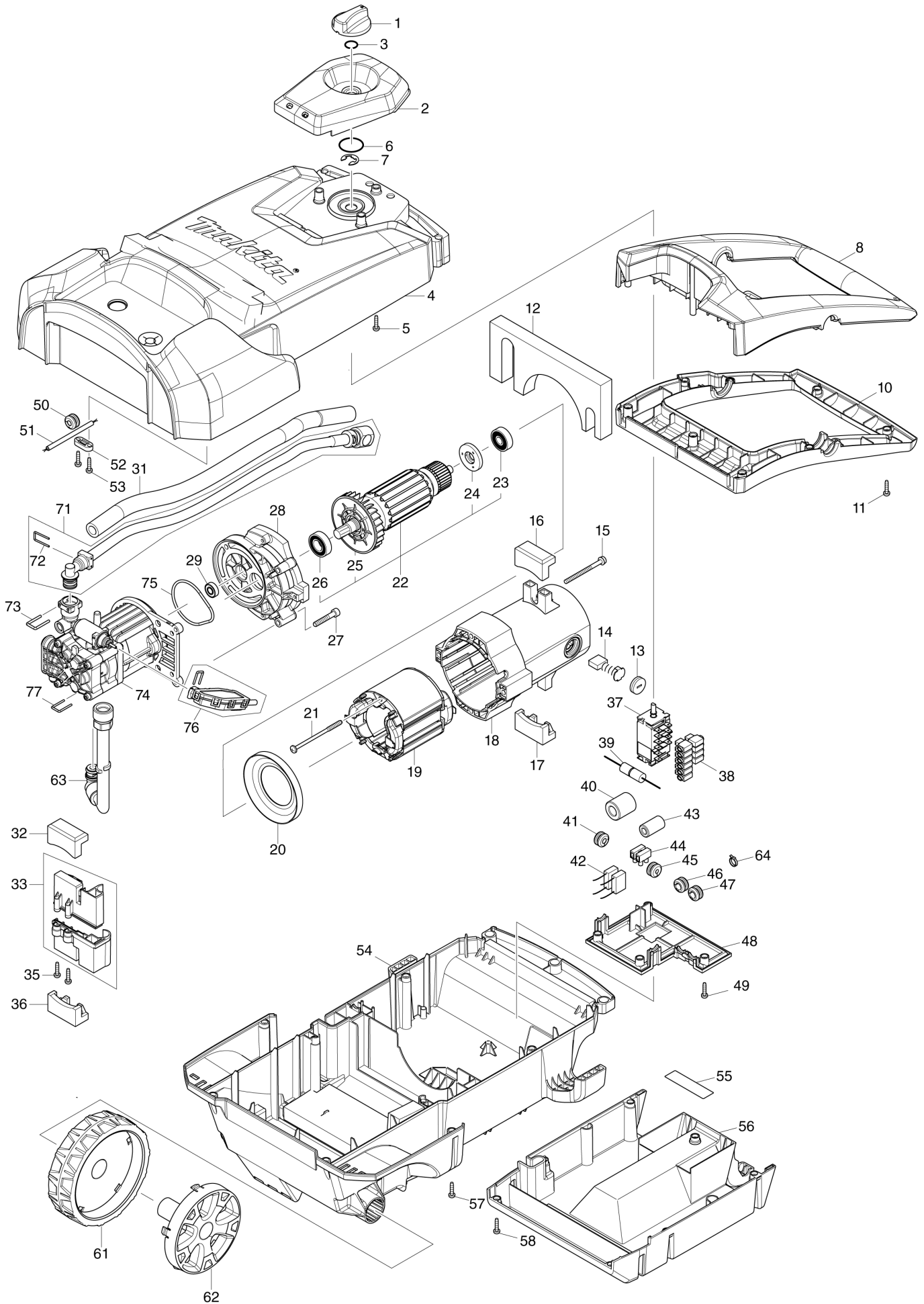
Diagram / Parts List

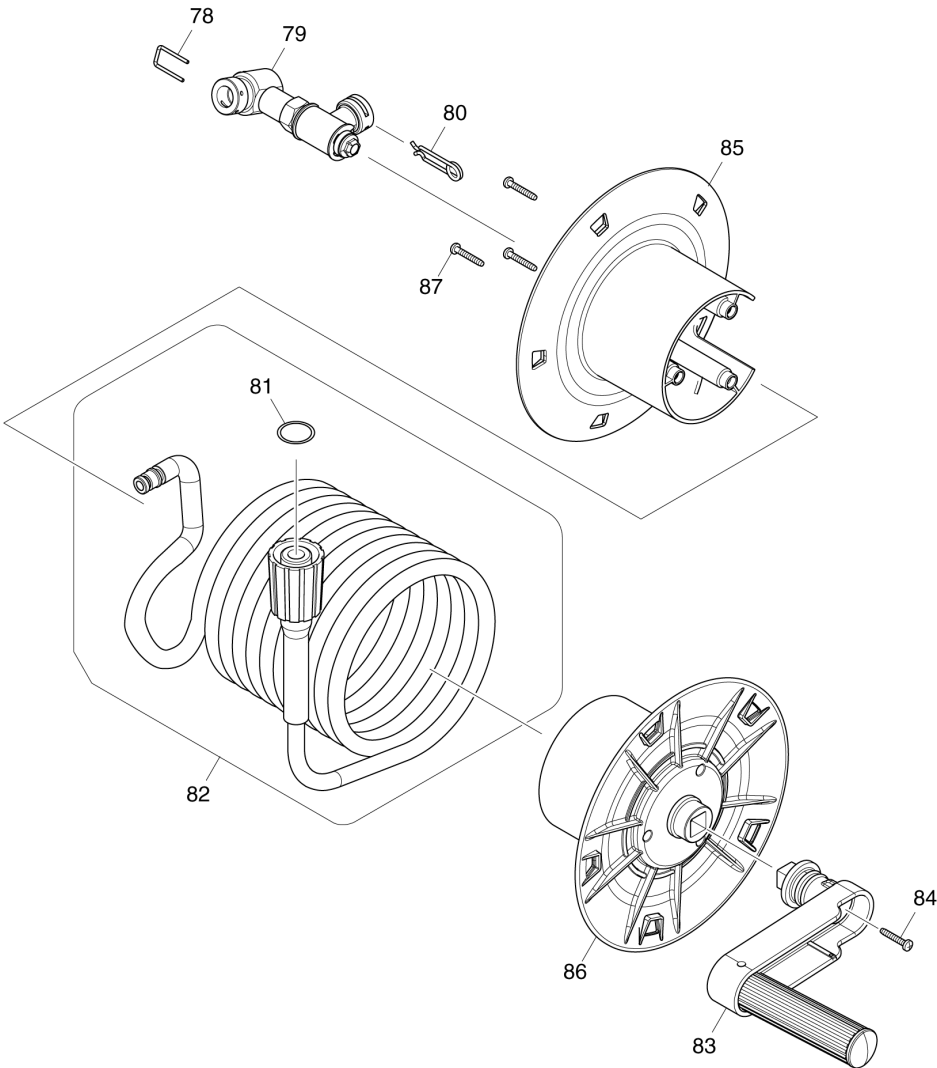
HP401

HIGH PRESSURE WASHER



(DE) HP401 / HIGH PRESSURE WASHER





DE	GERMANY
-----------	----------------

HP401 / HIGH PRESSURE WASHER

Item	Sub	Parts No.	Parts Description	Qty	I/C	E/C No.	Close No.	Remark
001		456837-7	SWITCH DIAL 50	1				
002		456844-0	FRONT COVER	1				
003		213176-6	O RING 14	1				
004		143815-3	FRONT HOUSING COMPLETE	1				
005		266045-0	TAPPING SCREW 4X20	4				
006		213412-0	O RING 29	1				
007		961062-2	STOP RING E-12	1				
008		456840-8	FRONT HANDLE	1				
010		456842-4	REAR HANDLE	1				
011		266045-0	TAPPING SCREW 4X20	9				
012		424856-1	SCREEN SPONGE F	1				
013		643700-5	BRUSH HOLDER CAP 7-18	2				
014		191953-5	CARBON BRUSH CB-203	1				
015		911288-6	PAN HEAD SCREW M5X65	4				
016		424852-9	RUBBER CUSHION	1				
017		424852-9	RUBBER CUSHION	1				
018		143813-7	MOTOR HOUSING COMPLETE	1				
	C10	643712-8	BRUSH HOLDER	2				
019		639100-5	FIELD ASSY 240V	1			Y07583	
	C10	654197-3	RING TERMINAL	2			Y07583	
	C20	654502-4	CONNECTOR P-2	2			Y07583	
019-1		639082-1	FIELD ASSY 240V	1	O	Y07583		
	C10	654197-3	RING TERMINAL	2		Y07583		
	C20	654502-4	CONNECTOR P-2	2		Y07583		
020		416131-9	BAFFLE PLATE	1				
021		265A13-6	TAPPING SCREW 5X85	2				
022		513469-4	ARMATURE ASSEMBLY 240V	1			C8830	
	D10		INC. 23-26				C8830	
022-1		513469-4	ARMATURE ASSEMBLY 240V	1	O	C8830		
	D10		INC. 23-26			C8830		
023		211067-5	BALL BEARING 6200ZZ	1				
024		681630-2	INSULATION WASHER	1				
025		241908-1	FAN 80	1				
026		211236-8	BALL BEARING 6002DDW	1				
027		266586-6	H.S.H.BOLT M6X35	4				
028		143822-6	GEAR HOUSING COMPLETE	1				
	C10	263005-3	RUBBER PIN 6	1				
029		211166-3	BALL BEARING 698DDW	1				
031		424869-2	HOSE COVER	1				
032		424852-9	RUBBER CUSHION	1				
033		183D72-5	PUMP RETAINER SET	1				
035		266045-0	TAPPING SCREW 4X20	2				
036		424852-9	RUBBER CUSHION	1				
037		650775-7	SWITCH	1				
038		686035-1	RECEPTACLE SLEEVE	10				
039		632G73-3	CURRENT FUSE UNIT	1				
040		688140-0	LINE FILTER	1				
041		682100-4	GROMMET	1				
042		645089-7	NOISE SUPPRESSOR	2				
043		688162-0	LINE FILTER	1				
044		654531-7	TERMINAL BLOCK 2P	1			D1558	
044-1		654741-6	TERMINAL BLOCK	1	O	D1558		
045		682098-5	GROMMET	1				
046		682100-4	GROMMET	1				
047		682100-4	GROMMET	1				
048		456833-5	SWITCH BOX COVER	1				
049		266045-0	TAPPING SCREW 4X20	4				
050		682100-4	GROMMET	1				
051		665856-4	POWER SUPPLY CORD 1.0-2-5.7	1				
052		687124-5	STRAIN RELIEF	1				
053		266045-0	TAPPING SCREW 4X20	2				
054		143820-0	REAR HOUSING COMPLETE	1				
	C10	809R02-9	CAUTION LABEL	1				
055		852W28-0	HP401 NAME PLATE	1				
056		456839-3	REAR BOX	1				

A:

Interchange
 O : Yes
 X : No
 < : the new part can be substituted for the current.
 > : the current part can be substituted for the new.
 S : Interchangeable as a set.

HP401 / HIGH PRESSURE WASHER

Item	Sub	Parts No.	Parts Description	Qty	I/C	E/C No.	Close No.	Remark
057		266045-0	TAPPING SCREW 4X20	8				
058		266045-0	TAPPING SCREW 4X20	7				
061		456835-1	WHEEL	2				
062		456836-9	WHEEL CAP	2				
063		123649-0	ABSORPTION JOINT	1				
064		687010-0	BAND	1				
071		TG00000004	HIGH-PRESSURE HOSE JOINT	1				
072		TG00000002	U TYPE PIN 3	1				
073		TG00000002	U TYPE PIN 3	1				
074		TG00000001	PUMP COMPLETE	1			C8830	
	D10		INC. 88-114			Y07971	C8830	
074-1		TG00000001	PUMP COMPLETE	1	O	C8830		
	D10		INC. 88-114			C8830		
075		TG00000006	SEAL RING 62	1				
076		TG00000005	PRESSURE SWITCH COMPLETE	1				
077		TG00000003	U TYPE PIN 2	1			C0397	
077-1		TG00000062	U TYPE PIN 2.2	1	O	C0397		
078		TG00000003	U TYPE PIN 2	1				
079		TG00000010	REEL JOINT COMPLETE	1				
080		TG00000011	TORSION SPRING 8	1				
081		TG00000008	O RING 10	1			DB958	
081-1		TG00000058	O RING 10	1	O	DB958		
082		TG00000009	HIGH-PRESSURE HOSE 10M	1			DB958	
082-1		TG00000059	HIGH-PRESSURE HOSE 10M	1	O	DB958		
	D10		INC. 81,115			DB958		
083		TG00000013	REEL HANDLE COMPLETE	1			C8451	
083-1		TG00000023	REEL HANDLE COMPLETE	1	O	C8451		
084		TG00000012	SCREW 3.5X19	1				
085		456897-9	HOSE REEL L	1				
086		456823-8	HOSE REEL R	1				
087		TG00000012	SCREW 3.5X19	3				
088		TG00000025	HELICAL GEAR	1		Y07971	C8830	
088-1		TG00000025	HELICAL GEAR	1	O	C8830		
089		TG00000026	SPINDLE	1		Y07971		
090		TG00000030	OIL SEAL	1		Y07971		
091		TG00000031	BALL BEARING	1		Y07971		
092		TG00000027	WOBBLE PLATE	1		Y07971		
093		TG00000028	THRUST BALL BEARING	1		Y07971		
094		TG00000029	H.S.H.BOLT	1		Y07971		
095		TG00000032	RETAINING RING	3		Y07971		
096		TG00000033	SPRING RETAINER	3		Y07971		
097		TG00000034	COMPRESSION SPRING	3		Y07971		
098		TG00000035	PISTON PIN	3		Y07971		
099		TG00000036	O-RING	1		Y07971		
100		TG00000037	O-RING	1		Y07971		
101		TG00000038	O-RING	1		Y07971		
102		TG00000048	O-RING	1		Y07971		
103		TG00000039	O-RING	1		Y07971		
104		TG00000040	U TYPE PIN	1		Y07971		
105		TG00000041	OIL SEAL	3		Y07971		
106		TG00000042	PACKING	3		Y07971		
107		TG00000043	H.S.H.BOLT	4		Y07971		
108		TG00000044	O-RING	3		Y07971		
109		TG00000024	O-RING	3		Y07971		
110		TG00000046	O-RING	1		Y07971		
111		TG00000045	HEX BOLT	1		Y07971		
112		TG00000047	O-RING	1		Y07971		
113		TG00000047	O-RING	1		Y07971		
114		TG00000037	O-RING	6		Y07971		
A01		197843-0	TRIGGER GUN SET	1				
A02		197886-2	FOAM NOZZLE SET	1			DC779	
A02-1		197886-2	FOAM NOZZLE SET	1	O	DC779		
A03		197876-5	VARIOSPRAY LANCE SET	1				
A04		197824-4	CYCLONE JET NOZZLE SET	1				
A05		197810-5	CONNECTOR SET	1				

A:

Interchange
 O : Yes
 X : No
 < : the new part can be substituted for the current.
 > : the current part can be substituted for the new.
 S : Interchangeable as a set.

