



| | |
|----|---------|
| DE | GERMANY |
|----|---------|

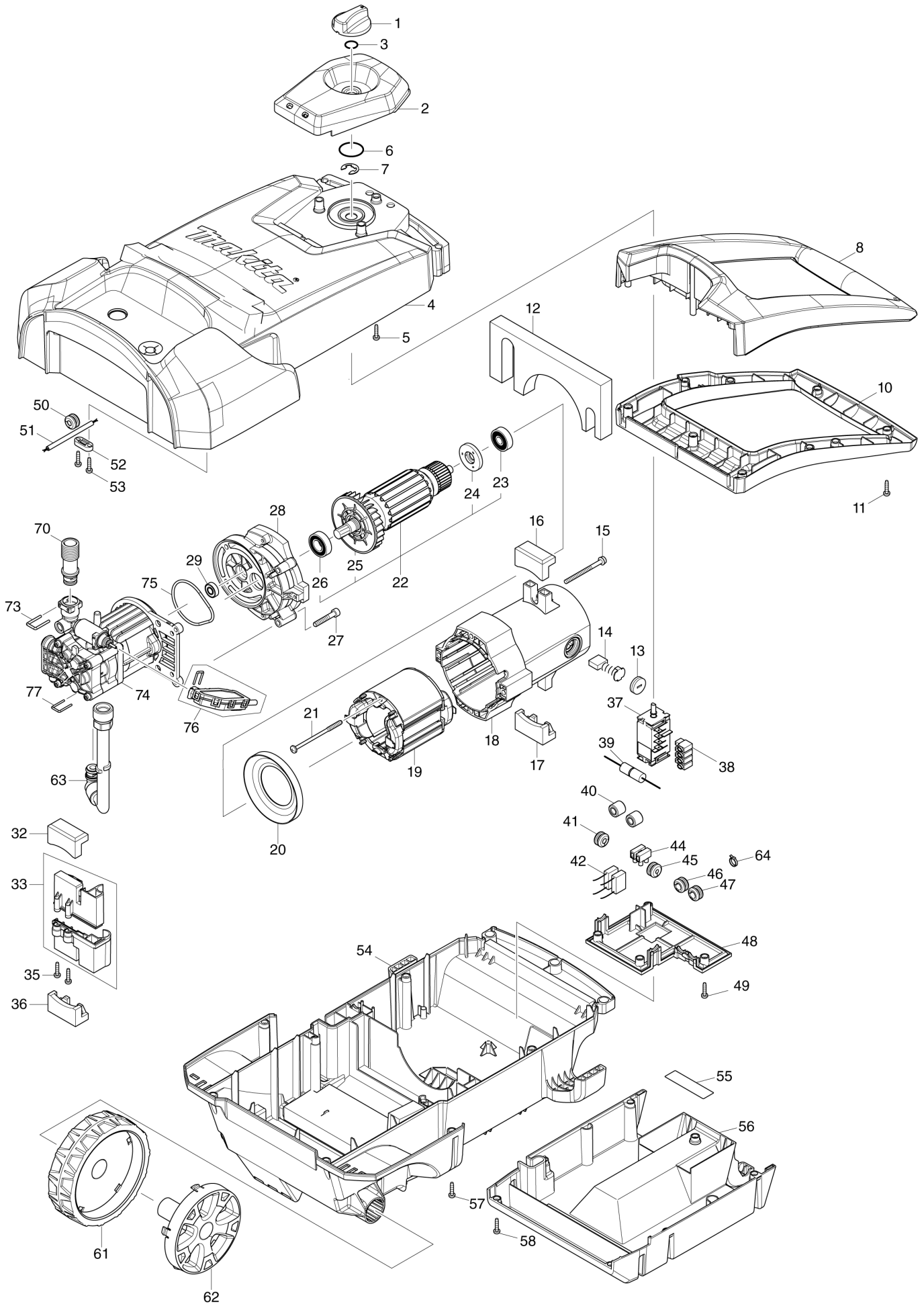
Diagram / Parts List

HP351

HIGH PRESSURE WASHER



(DE) HP351 / HIGH PRESSURE WASHER



| | |
|-----------|----------------|
| DE | GERMANY |
|-----------|----------------|

HP351 / HIGH PRESSURE WASHER

| Item | Sub | Parts No. | Parts Description | Qty | I/C | E/C No. | Close No. | Remark |
|-------|-----|-----------|-----------------------------|-----|-----|---------|-----------|--------|
| 001 | | 456837-7 | SWITCH DIAL 50 | 1 | | | | |
| 002 | | 456846-6 | FRONT COVER | 1 | | | | |
| 003 | | 213176-6 | O RING 14 | 1 | | | | |
| 004 | | 143818-7 | FRONT HOUSING COMPLETE | 1 | | | | |
| 005 | | 266045-0 | TAPPING SCREW 4X20 | 4 | | | | |
| 006 | | 213412-0 | O RING 29 | 1 | | | | |
| 007 | | 961062-2 | STOP RING E-12 | 1 | | | | |
| 008 | | 456841-6 | FRONT HANDLE | 1 | | | | |
| 010 | | 456843-2 | REAR HANDLE | 1 | | | | |
| 011 | | 266045-0 | TAPPING SCREW 4X20 | 7 | | | | |
| 012 | | 424856-1 | SCREEN SPONGE F | 1 | | | | |
| 013 | | 643700-5 | BRUSH HOLDER CAP 7-18 | 2 | | | | |
| 014 | | 191953-5 | CARBON BRUSH CB-203 | 1 | | | | |
| 015 | | 911288-6 | PAN HEAD SCREW M5X65 | 4 | | | | |
| 016 | | 424852-9 | RUBBER CUSHION | 1 | | | | |
| 017 | | 424852-9 | RUBBER CUSHION | 1 | | | | |
| 018 | | 143813-7 | MOTOR HOUSING COMPLETE | 1 | | | | |
| | C10 | 643712-8 | BRUSH HOLDER | 2 | | | | |
| 019 | | 639092-8 | FIELD ASSY 240V | 1 | | | | |
| | C10 | 654197-3 | RING TERMINAL | 2 | | | | |
| | C20 | 654502-4 | CONNECTOR P-2 | 2 | | | | |
| 020 | | 416131-9 | BAFFLE PLATE | 1 | | | | |
| 021 | | 265A13-6 | TAPPING SCREW 5X85 | 2 | | | | |
| 022 | | 513474-1 | ARMATURE ASSEMBLY 240V | 1 | | | C8830 | |
| | D10 | | INC. 23-26 | | | | C8830 | |
| 022-1 | | 513474-1 | ARMATURE ASSEMBLY 240V | 1 | O | C8830 | | |
| | D10 | | INC. 23-26 | | | C8830 | | |
| 023 | | 211067-5 | BALL BEARING 6200ZZ | 1 | | | | |
| 024 | | 681630-2 | INSULATION WASHER | 1 | | | | |
| 025 | | 241908-1 | FAN 80 | 1 | | | | |
| 026 | | 211236-8 | BALL BEARING 6002DDW | 1 | | | | |
| 027 | | 266586-6 | H.S.H.BOLT M6X35 | 4 | | | | |
| 028 | | 143822-6 | GEAR HOUSING COMPLETE | 1 | | | | |
| | C10 | 263005-3 | RUBBER PIN 6 | 1 | | | | |
| 029 | | 211166-3 | BALL BEARING 698DDW | 1 | | | | |
| 032 | | 424852-9 | RUBBER CUSHION | 1 | | | | |
| 033 | | 183D72-5 | PUMP RETAINER SET | 1 | | | | |
| 035 | | 266045-0 | TAPPING SCREW 4X20 | 2 | | | | |
| 036 | | 424852-9 | RUBBER CUSHION | 1 | | | | |
| 037 | | 650780-4 | SWITCH | 1 | | | | |
| 038 | | 686035-1 | RECEPTACLE SLEEVE | 4 | | | | |
| 039 | | 632G71-7 | CURRENT FUSE UNIT | 1 | | | | |
| 040 | | 688163-8 | LINE FILTER | 2 | | | | |
| 041 | | 682100-4 | GROMMET | 1 | | | | |
| 042 | | 645089-7 | NOISE SUPPRESSOR | 1 | | | | |
| 044 | | 654531-7 | TERMINAL BLOCK 2P | 1 | | | D1558 | |
| 044-1 | | 654741-6 | TERMINAL BLOCK | 1 | O | D1558 | | |
| 045 | | 682098-5 | GROMMET | 1 | | | | |
| 046 | | 682100-4 | GROMMET | 1 | | | | |
| 047 | | 682100-4 | GROMMET | 1 | | | | |
| 048 | | 456833-5 | SWITCH BOX COVER | 1 | | | | |
| 049 | | 266045-0 | TAPPING SCREW 4X20 | 4 | | | | |
| 050 | | 682100-4 | GROMMET | 1 | | | | |
| 051 | | 665883-1 | POWER SUPPLY CORD 1.0-2-5.0 | 1 | | | | |
| 052 | | 687124-5 | STRAIN RELIEF | 1 | | | | |
| 053 | | 266045-0 | TAPPING SCREW 4X20 | 2 | | | | |
| 054 | | 143820-0 | REAR HOUSING COMPLETE | 1 | | | | |
| | C10 | 809R02-9 | CAUTION LABEL | 1 | | | | |
| 055 | | 852W49-2 | HP351 NAME PLATE | 1 | | | | |
| 056 | | 456839-3 | REAR BOX | 1 | | | | |
| 057 | | 266045-0 | TAPPING SCREW 4X20 | 8 | | | | |
| 058 | | 266045-0 | TAPPING SCREW 4X20 | 7 | | | | |
| 061 | | 456835-1 | WHEEL | 2 | | | | |
| 062 | | 456836-9 | WHEEL CAP | 2 | | | | |
| 063 | | 123649-0 | ABSORPTION JOINT | 1 | | | | |

A:

Interchange
O : Yes
X : No
< : the new part can be substituted for the current.
> : the current part can be substituted for the new.
S : Interchangeable as a set.

