



DE	GERMANY
----	---------

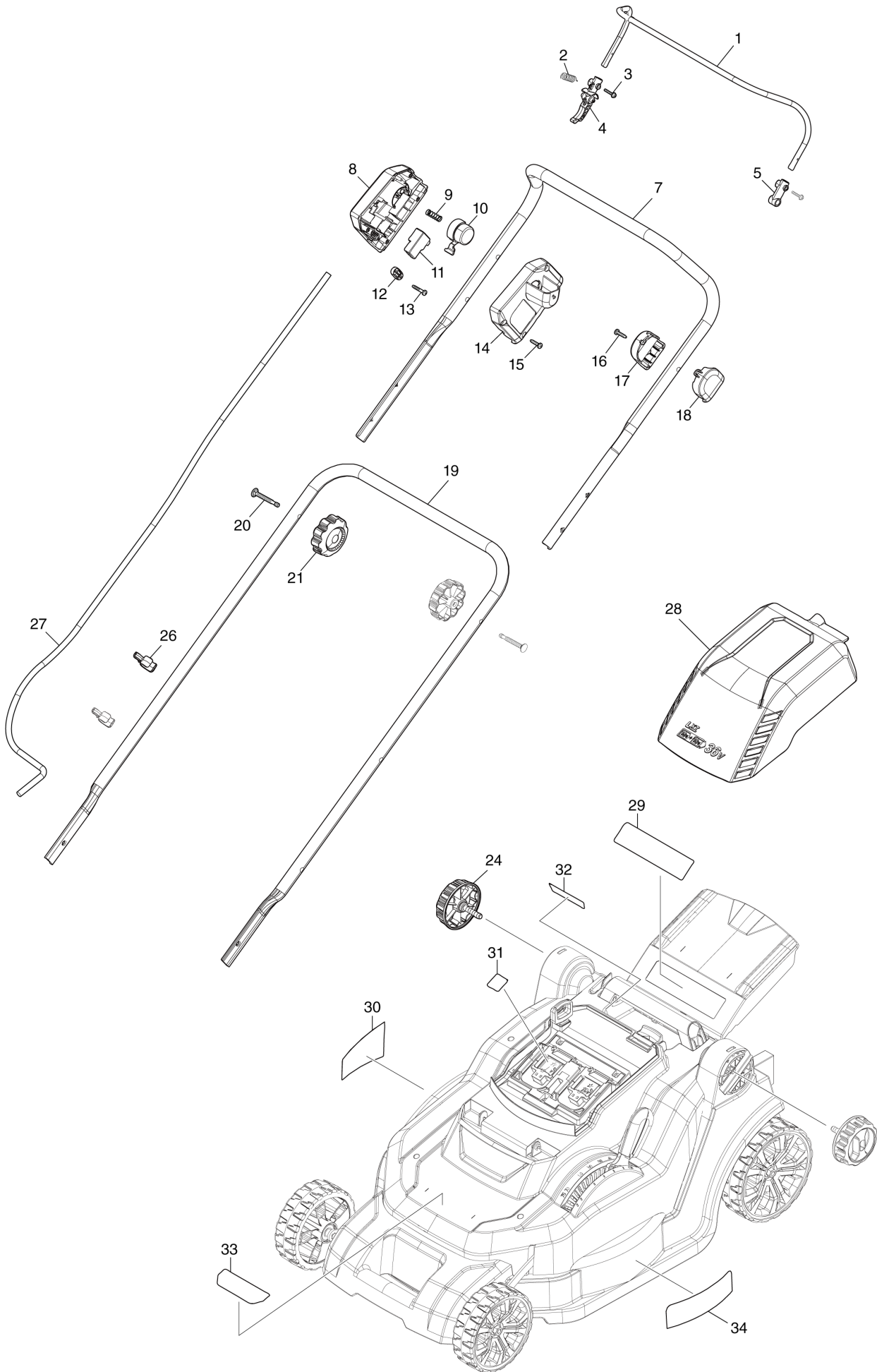
# Diagram / Parts List

**AM3843**

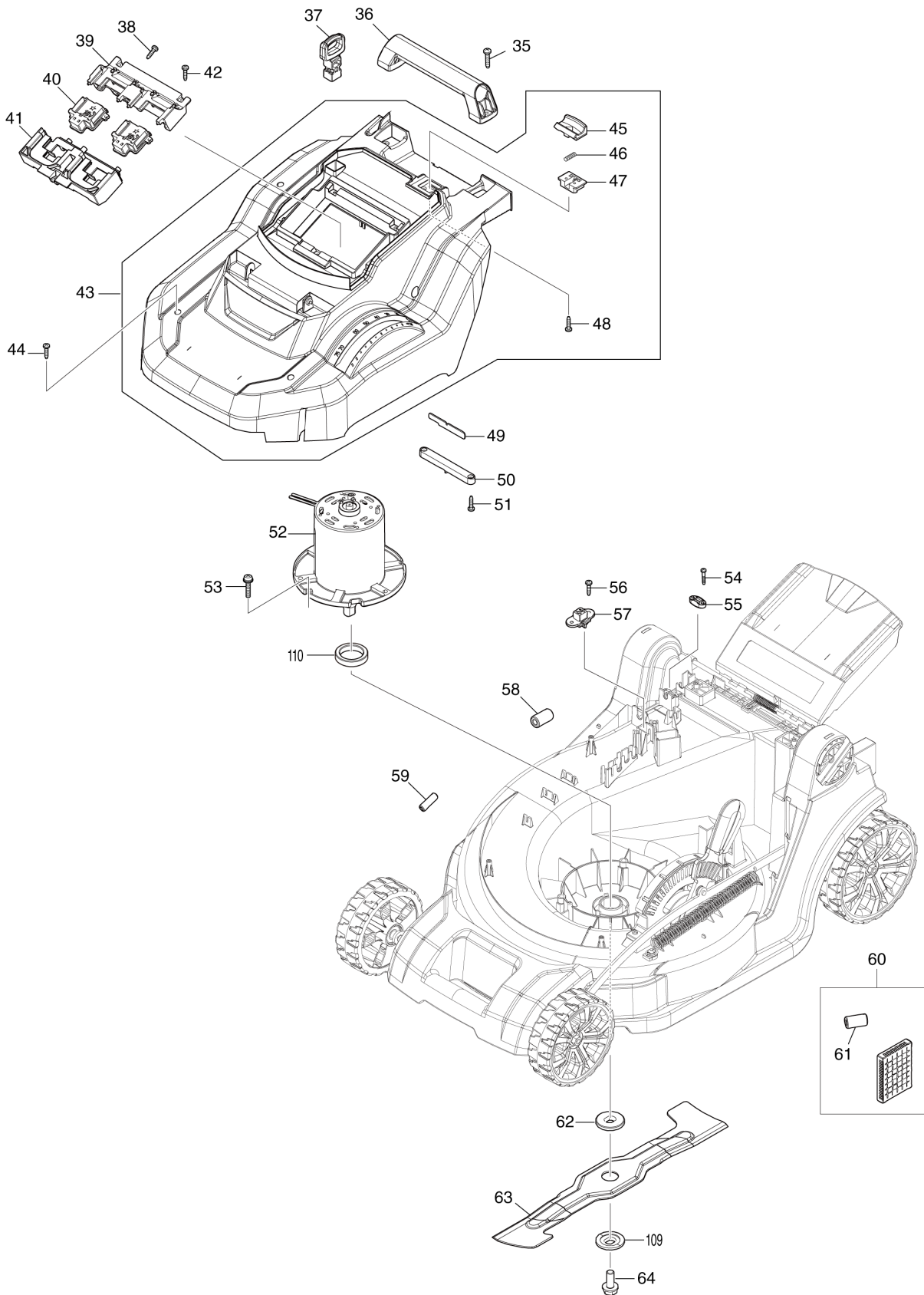
**430MM CORDLESS LAWN MOWER**



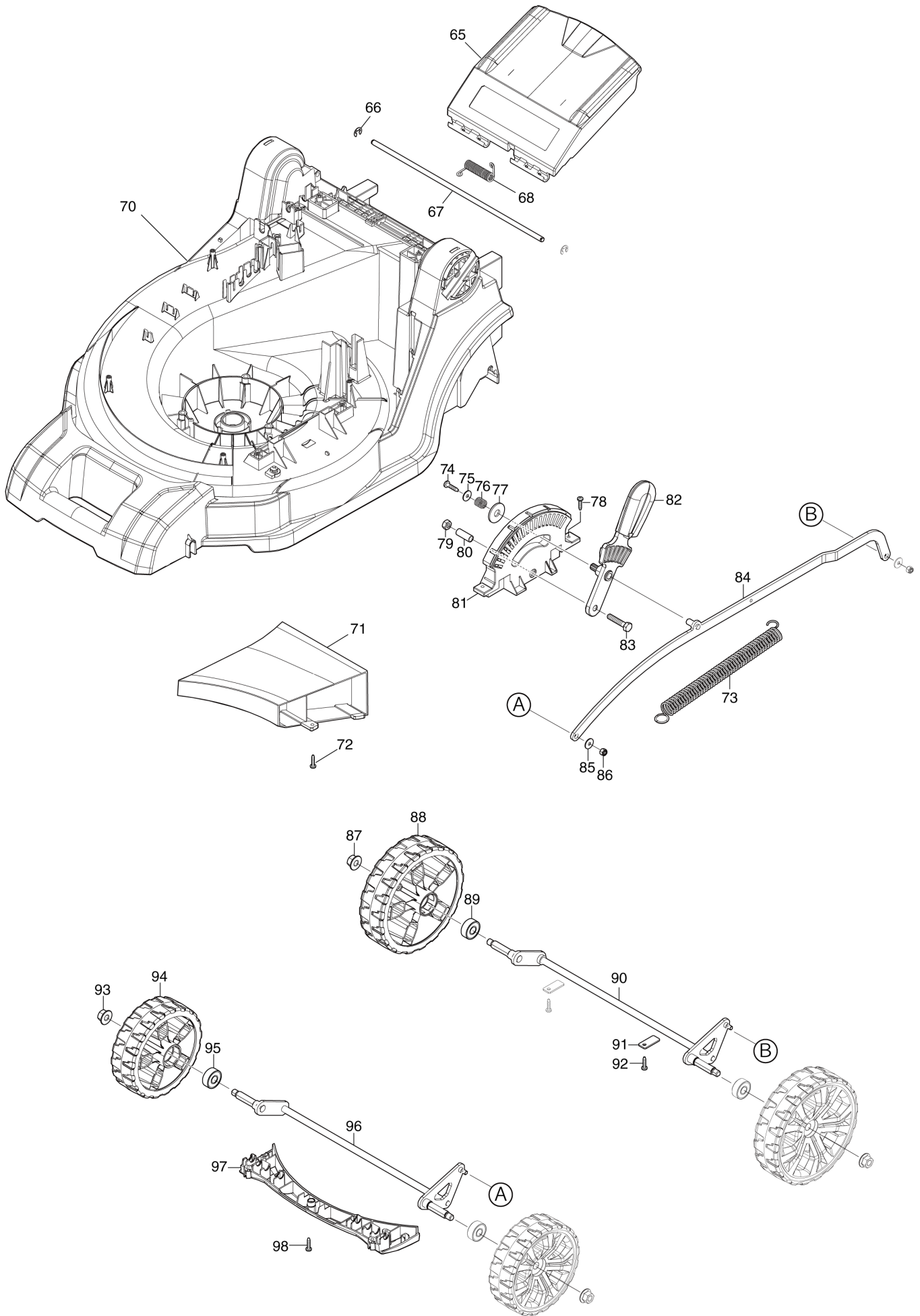
(DE) AM3843 / 430MM CORDLESS LAWN MOWER

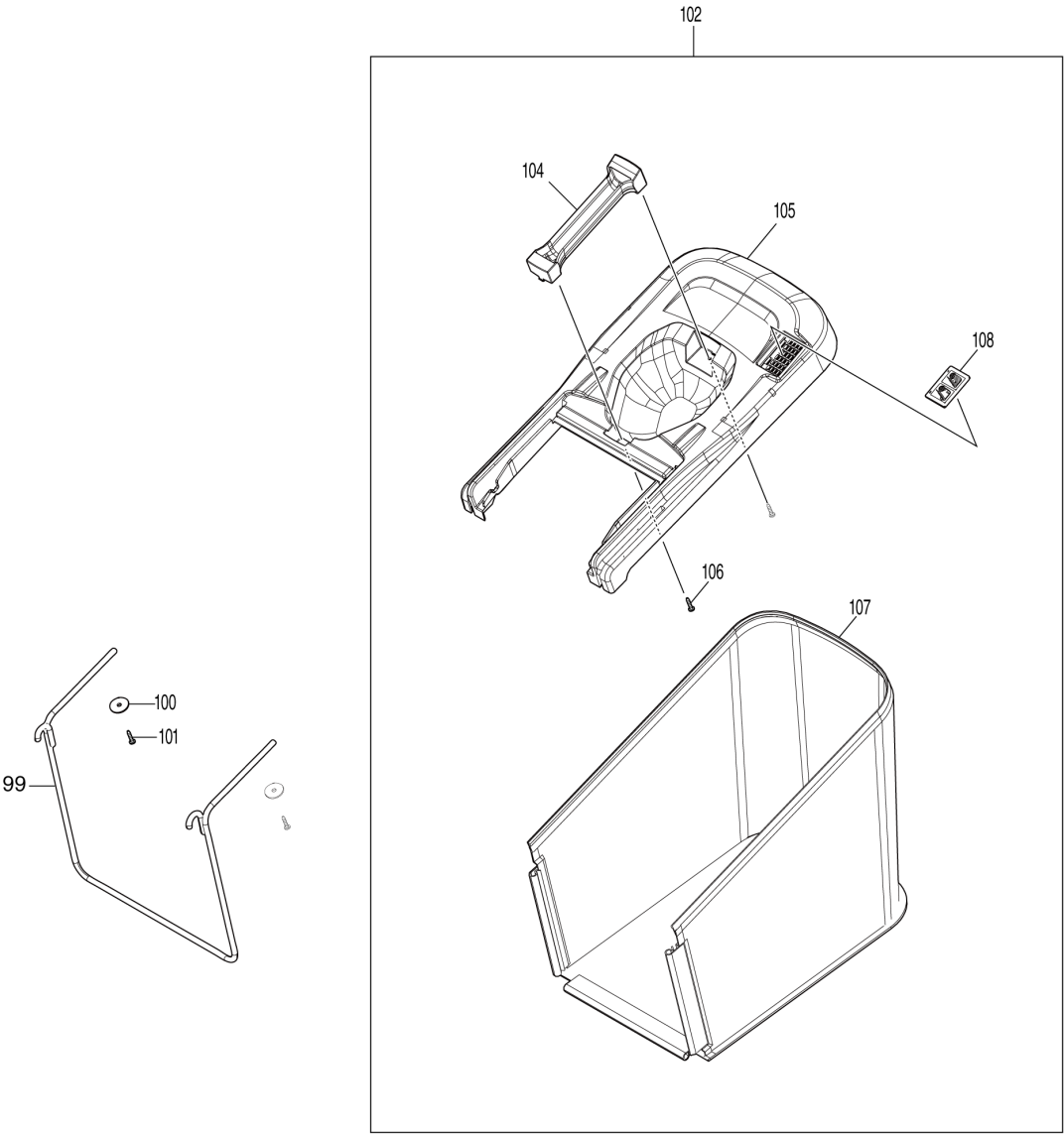


(DE) AM3843 / 430MM CORDLESS LAWN MOWER



(DE) AM3843 / 430MM CORDLESS LAWN MOWER





<b>DE</b>	<b>GERMANY</b>
-----------	----------------

### AM3843 / 430MM CORDLESS LAWN MOWER

Item	Sub	Parts No.	Parts Description	Qty	I/C	E/C No.	Close No.	Remark
001		326636-0	SWITCH LEVER	1				
002		231876-6	TENSION SPRING 9	1				
003		911138-5	P.H.SCREW M4X20 WITH WR	2				
004		455075-8	LEVER	1				
005		455078-2	ARM	1				
007		143510-5	UPPER PIPE COMPLETE	1				
008		459804-1	SWITCH BOX	1				
009		233068-3	COMPRESSION SPRING 6	1				
010		455074-0	SWITCH BUTTON	1				
011		650730-9	SWITCH TG72BD-6	1				
012		687124-5	STRAIN RELIEF	1				
013		265999-8	TAPPING SCREW 4X25	2			D7780	
013-1		265B73-4	TAPPING SCREW 4X25	2	O	D7780		
014		140N15-0	SWITCH BOX COVER COMPLETE K	1				
	C10	890374-5	INDICATION LABEL	1				
015		266326-2	TAPPING SCREW 4X18	4			D7780	
015-1		265B67-9	TAPPING SCREW 4X18	4	O	D7780		
016		266326-2	TAPPING SCREW 4X18	1			D7780	
016-1		265B67-9	TAPPING SCREW 4X18	1	O	D7780		
017		456352-1	SWITCH LEVER CASE COVER	1				
018		456351-3	SWITCH LEVER CASE	1				
019		326635-2	LOWER PIPE	1				
020		265A14-4	CUP H. SQUARE NECK BOLT M6X50	2				
021		264070-5	THUMB NUT M6	2				
024		266729-0	THUMB SCREW M8X35	2				
026		459809-1	HOLDER	2				
027		660393-3	POWER SUPPLY CORD	1				
028		140N21-5	BATTERY COVER COMPLETE E	1				
	C10	8005W1-7	CAUTION LABEL	1				
029		890375-3	CAUTION LABEL	1				
030		856L59-5	AM3843 NAME PLATE	1				
031		856L61-8	AM3843 SERIAL NO. LABEL	1				
032		8005W9-1	INDICATION LABEL	1				
033		8006F9-8	INDICATION LABEL	1				
034		8006G0-3	INDICATION LABEL	1				
035		266459-3	TAPPING SCREW 5X25	2				
036		273675-0	GRIP A	1				
037		643890-4	KEY	1				
038		266326-2	TAPPING SCREW 4X18	3			D7780	
038-1		265B67-9	TAPPING SCREW 4X18	3	O	D7780		
039		183N35-1	TERMINAL HOUSING SET	1				
	C10	263005-3	RUBBER PIN 6	4				
	D10		INC. 41					
040		644809-6	TERMINAL	2				
041		183N35-1	TERMINAL HOUSING SET	1				
	C10	263005-3	RUBBER PIN 6	4				
	D10		INC. 39					
042		266326-2	TAPPING SCREW 4X18	3			D7780	
042-1		265B67-9	TAPPING SCREW 4X18	3	O	D7780		
043		127467-8	COWLING D ASSEMBLY	1				
	D10		INC. 45-48					
044		266326-2	TAPPING SCREW 4X18	4			D7780	
044-1		265B67-9	TAPPING SCREW 4X18	4	O	D7780		
045		453250-0	LOCK LEVER	1				
046		233173-6	COMPRESSION SPRING 4	1			DA533	
046-1		LC233173-6	COMPRESSION SPRING 4	1	O	DA533	DC104	
046-2		233173-6	COMPRESSION SPRING 4	1	O	DC104		
047		453251-8	LOCK LEVER SUPPORT	1				
048		266326-2	TAPPING SCREW 4X18	2			DE279	
048-1		265B67-9	TAPPING SCREW 4X18	2	O	DE279		
049		620B91-3	LED CIRCUIT	1				
050		455070-8	LED COVER	1				
051		266326-2	TAPPING SCREW 4X18	2			D7780	
051-1		265B67-9	TAPPING SCREW 4X18	2	O	D7780		
052		629A18-4	DC MOTOR	1		D3555	DG248	

C:AM3843Z(N)  
D:AM3843PT2(H)

Interchange  
O : Yes  
X : No  
< : the new part can be substituted for the current.  
> : the current part can be substituted for the new.  
S : Interchangeable as a set.

<b>DE</b>	<b>GERMANY</b>
-----------	----------------

### AM3843 / 430MM CORDLESS LAWN MOWER

Item	Sub	Parts No.	Parts Description	Qty	I/C	E/C No.	Close No.	Remark
052-1		629A18-4	DC MOTOR	1	O	DG248		
053		266774-5	+ PAN HEAD SCREW M6X30 WITH WR	3			DJ209	
053-1		266774-5	+ PAN HEAD SCREW M6X30 WITH WR	3	O	DJ209		
054		265999-8	TAPPING SCREW 4X25	2			D7780	
054-1		265B73-4	TAPPING SCREW 4X25	2	O	D7780		
055		687124-5	STRAIN RELIEF	1				
056		266326-2	TAPPING SCREW 4X18	2			D7780	
056-1		265B67-9	TAPPING SCREW 4X18	2	O	D7780		
057		638946-6	LEAD UNIT	1				
058		688162-0	LINE FILTER	1				
059		688165-4	LINE FILTER	2				
060		632P19-3	CONTROLLER UNIT	1			DG342	
	C10	654208-4	RECEPTACLE	1			DG342	
	D10		INC. 61				DG342	
060-1		632U26-6	CONTROLLER UNIT	1	<	DG342		
	C10	654199-9	RECEPTACLE	1		DG342		
	D10		INC. 61			DG342		
061		688162-0	LINE FILTER	1				
062		224444-2	INNER FLANGE 40	1				
063		191D43-8	BLADE 430 SET	1				
064		266731-3	HEX. BOLT M10X25	1				
065		140S15-0	REAR FLAP COMPLETE	1				
	D10		INC. 29					
066		LC961018-5	STOP RING (EXT) E-5	2			DC104	
066-1		961018-5	STOP RING E-5	2	O	DC104		
067		259067-7	ROD 6	1				
068		LC233597-6	TORSION SPRING 8	1			DC104	
068-1		233597-6	TORSION SPRING 8	1	O	DC104		
070		459780-9	DECK	1				
	C10	346544-9	PLATE NUT M8	2				
	C20	931302-2	HEX. NUT M6	3				
071		412272-9	UNDER COVER	1				
072		266326-2	TAPPING SCREW 4X18	3			DE279	
072-1		265B67-9	TAPPING SCREW 4X18	3	O	DE279		
073		LC231875-8	TENSION SPRING 16	1			DC104	
073-1		231875-8	TENSION SPRING 16	1	O	DC104		
074		266326-2	TAPPING SCREW 4X18	1			DE279	
074-1		265B67-9	TAPPING SCREW 4X18	1	O	DE279		
075		LC267102A7	FLAT WASHER 4	1			DC104	
075-1		267102-7	FLAT WASHER 4	1	O	DC104		
076		LC231297-2	COMPRESSION SPRING 9	1			DC104	
076-1		231297-2	COMPRESSION SPRING 9	1	O	DC104		
077		LC253808A3	FLAT WASHER 9	1			DC104	
077-1		253808-3	FLAT WASHER 9	1	O	DC104		
078		266326-2	TAPPING SCREW 4X18	2			DE279	
078-1		265B67-9	TAPPING SCREW 4X18	2	O	DE279		
079		931302-2	HEX. NUT M6	1				
080		LC257670A8	SLEEVE 6	1			DC104	
080-1		257670-8	SLEEVE 6	1	O	DC104		
081		453255-0	ADJUST PLATE	1				
082		459099-6	CHANGE LEVER	1				
083		LC921352-5	HEX.BOLT M6X30	1			DC104	
083-1		921352-5	HEX. BOLT M6X30	1	O	DC104		
084		346543-1	CONNECTING ROD	1				
085		LC941101-4	FLAT WASHER 5	2			DC104	
085-1		941101-4	FLAT WASHER 5	2	O	DC104		
086		252103-8	HEX. LOCK NUT M5-8	2				
087		LC252145-2	COLLARED HEX. NUT M8	2			DC104	
087-1		252145-2	COLLARED HEX NUT M8	2	O	DC104		
088		459101-5	REAR WHEEL	2				
089		LC210070-3	BALL BEARING 6200ZZ	2			DC104	
089-1		210070-3	BALL BEARING 6200ZZ	2	O	DC104		
090		165669-8	REAR SHAFT	1				
091		LC346545-7	PLATE	2			DC104	
091-1		346545-7	PLATE	2	O	DC104		

C:AM3843Z(N)  
D:AM3843PT2(H)

Interchange  
O : Yes  
X : No  
< : the new part can be substituted for the current.  
> : the current part can be substituted for the new.  
S : Interchangeable as a set.

