



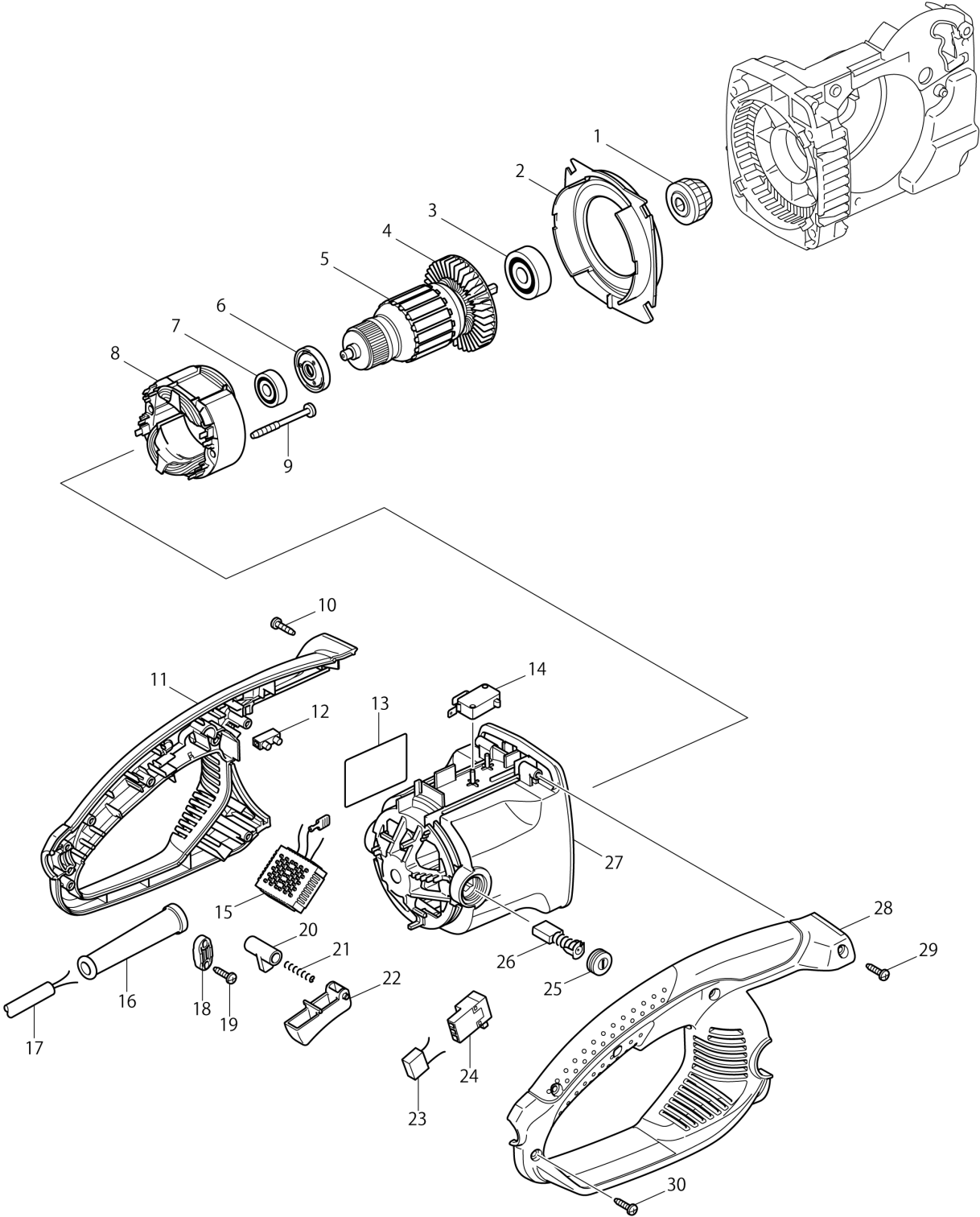
DE

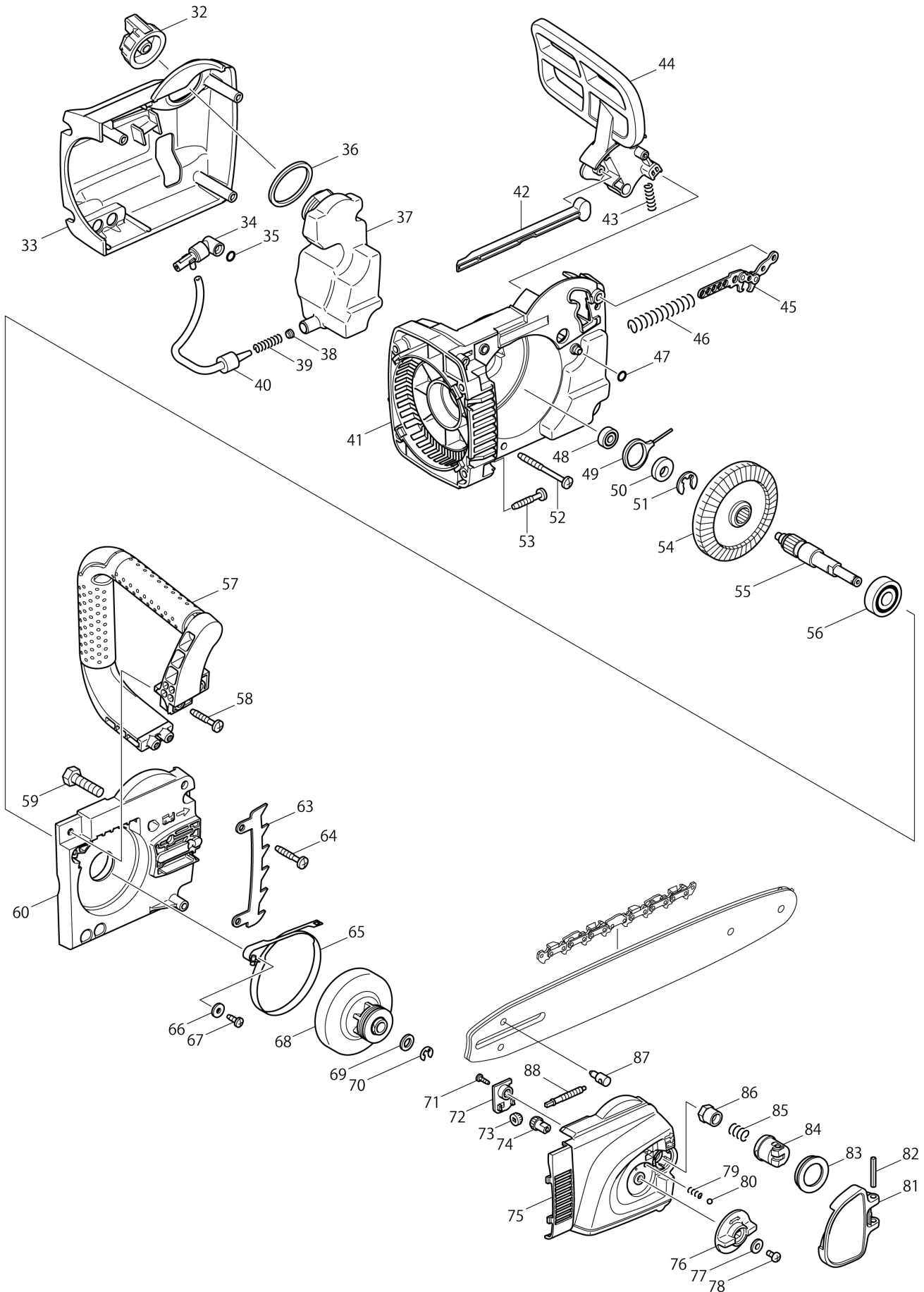
GERMANY

# Diagram / Parts List

**ES-2145A**

**CHAIN SAW 450MM**





<b>DE</b>	<b>GERMANY</b>
-----------	----------------

### ES-2145A / CHAIN SAW 450MM

Item	Sub	Parts No.	Parts Description	Qty	I/C	E/C No.	Close No.	Remark
001		226743-8	STRAIGHT BEVEL GEAR 14	1				
002		419410-4	BAFFLE PLATE	1				
003		211111-8	BALL BEARING 6301LLB	1				
004		240001-8	FAN 80	1				
005		616969-4	ARMATURE 240V	1				
006		681666-1	INSULATION WASHER	1			A1466	
006-1		681666-1	INSULATION WASHER	1	O	A1466		
007		211057-8	BALL BEARING 629ZZ	1				
008		639530-0	FIELD 240V	1				
009		266095-5	TAPPING SCREW 5X55	2				
010		265995-6	TAPPING SCREW 4X18	1				
011		188819-8	HANDLE SET	1				
	C10	810198-3	CAUTION LABEL	1				
	D10		INC. 28					
012		654532-5	TERMINAL BLOCK 1P	1			B4055	
012-1		654475-1	TERMINAL BLOCK	1	<	B4055		
014		650577-1	SWITCH SD-006-BB2AA-AA	1				
015		631719-6	CONTROLLER	1			DL653	
015-1		620M13-9	CONTROLLER	1	<	DL653		
016		682574-9	CORD GUARD 10-90	1				
017		665883-1	POWER SUPPLY CORD 1.0-2-5.0	1				
018		687124-5	STRAIN RELIEF	1				
019		265995-6	TAPPING SCREW 4X18	2				
020		416178-3	LOCK-OFF BUTTON	1				
021		233173-6	COMPRESSION SPRING 4	1				
022		419411-2	SWITCH LEVER	1				
023		645239-4	NOISE SUPPRESSOR	1				
024		651923-1	SWITCH TG70B	1				
025		643650-4	BRUSH HOLDER CAP 6.5-13.5	2			B0305	
025-1		643650-4	BRUSH HOLDER CAP 6.5-13.5	2	O	B0305		
026		181044-0	CARBON BRUSH CB-153	1				
027		154868-7	MOTOR HOUSING COMPLETE	1				
	C10	643653-8	BRUSH HOLDER 6.5-13.5	2			C3359	
	C11	643536-2	BRUSH HOLDER 6.5X13.5	2	<	C3359		
028		188819-8	HANDLE SET	1				
	C10	810198-3	CAUTION LABEL	1				
	D10		INC. 11					
029		265995-6	TAPPING SCREW 4X18	1				
030		265995-6	TAPPING SCREW 4X18	5				
032		154870-0	TANK CAP COMPLETE	1				
033		419412-0	GEAR HOUSING COVER	1				
034		140089-7	OIL PUMP COMPLETE	1			97386	
034-1		142002-1	OIL PUMP COMPLETE	1	<	97386		
035		213039-6	O RING 6	1				
036		421959-2	SPONGE SEAL	1				
037		419407-3	OIL TANK	1				
038		416274-7	CAP	1				
039		231975-4	SPRING	1				
040		421958-4	OIL TUBE	1				
041		419408-1	GEAR HOUSING	1				
042		419413-8	ROD	1				
043		233174-4	COMPRESSION SPRING 6	1				
044		451130-4	FRONT HAND GUARD	1				
045		158044-5	LINK PLATE COMPLETE	1				
046		234005-0	COMPRESSION SPRING 9	1				
047		213039-6	O RING 6	1				
048		211012-0	BALL BEARING 606ZZ	1				
049		450230-7	CRANK	1				
050		417405-1	CAM	1				
051		259034-2	RETAINING RING E TYPE 10	1				
052		266095-5	TAPPING SCREW 5X55	2			A4161	
052-1		266044-2	TAPPING SCREW 5X60	2	S	A4161		
053		266173-1	TAPPING SCREW 5X30	4				
054		226741-2	STRAIGHT BEVEL GEAR 43	1				
055		324662-3	SPINDLE	1				

C:ES-2145A(H)

Interchange  
O : Yes  
X : No  
< : the new part can be substituted for the current.  
> : the current part can be substituted for the new.  
S : Interchangeable as a set.

