



DE

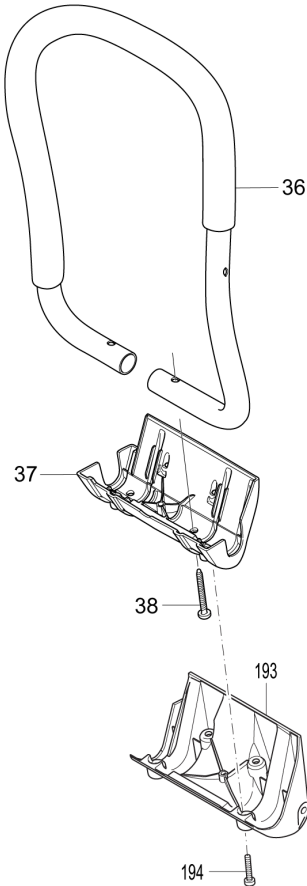
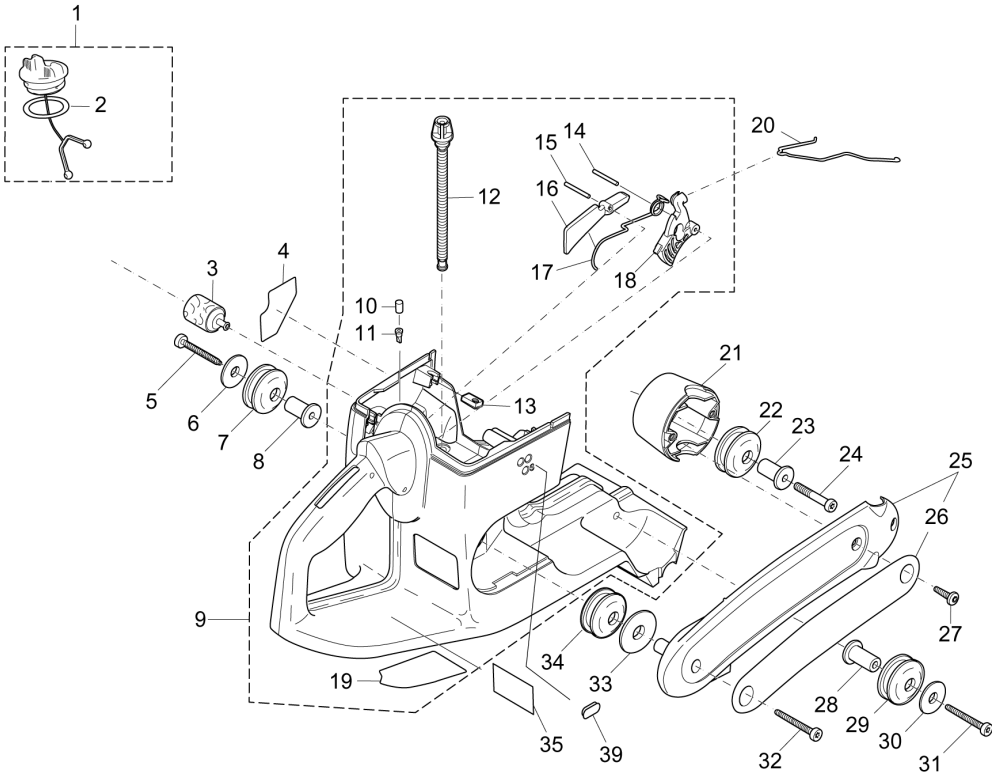
GERMANY

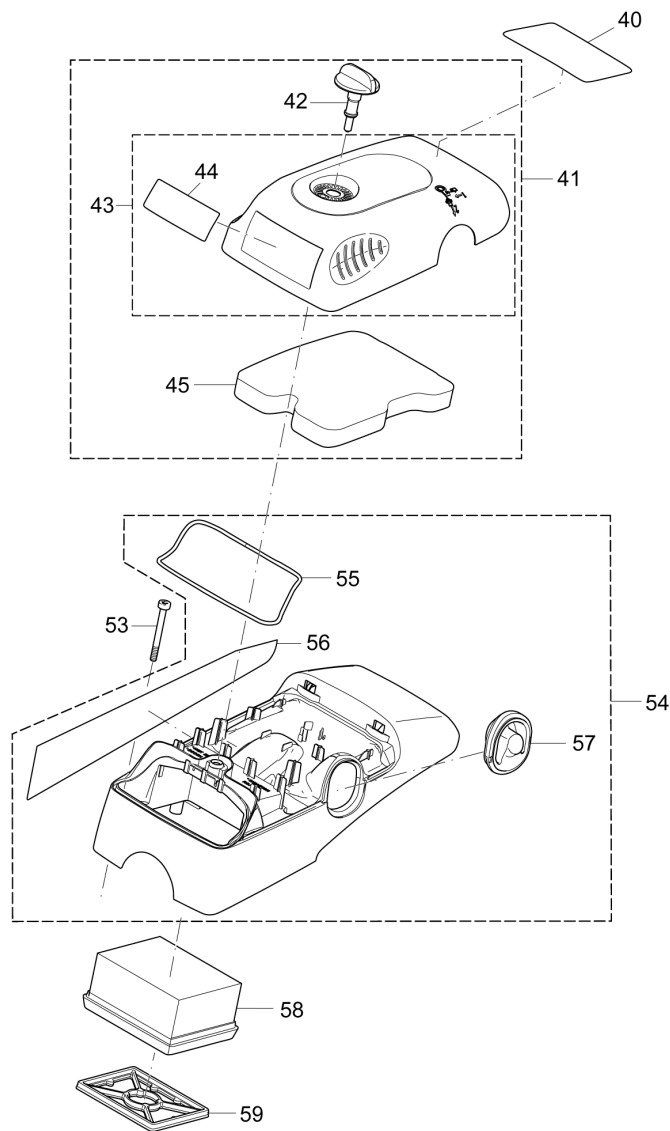
Diagram / Parts List

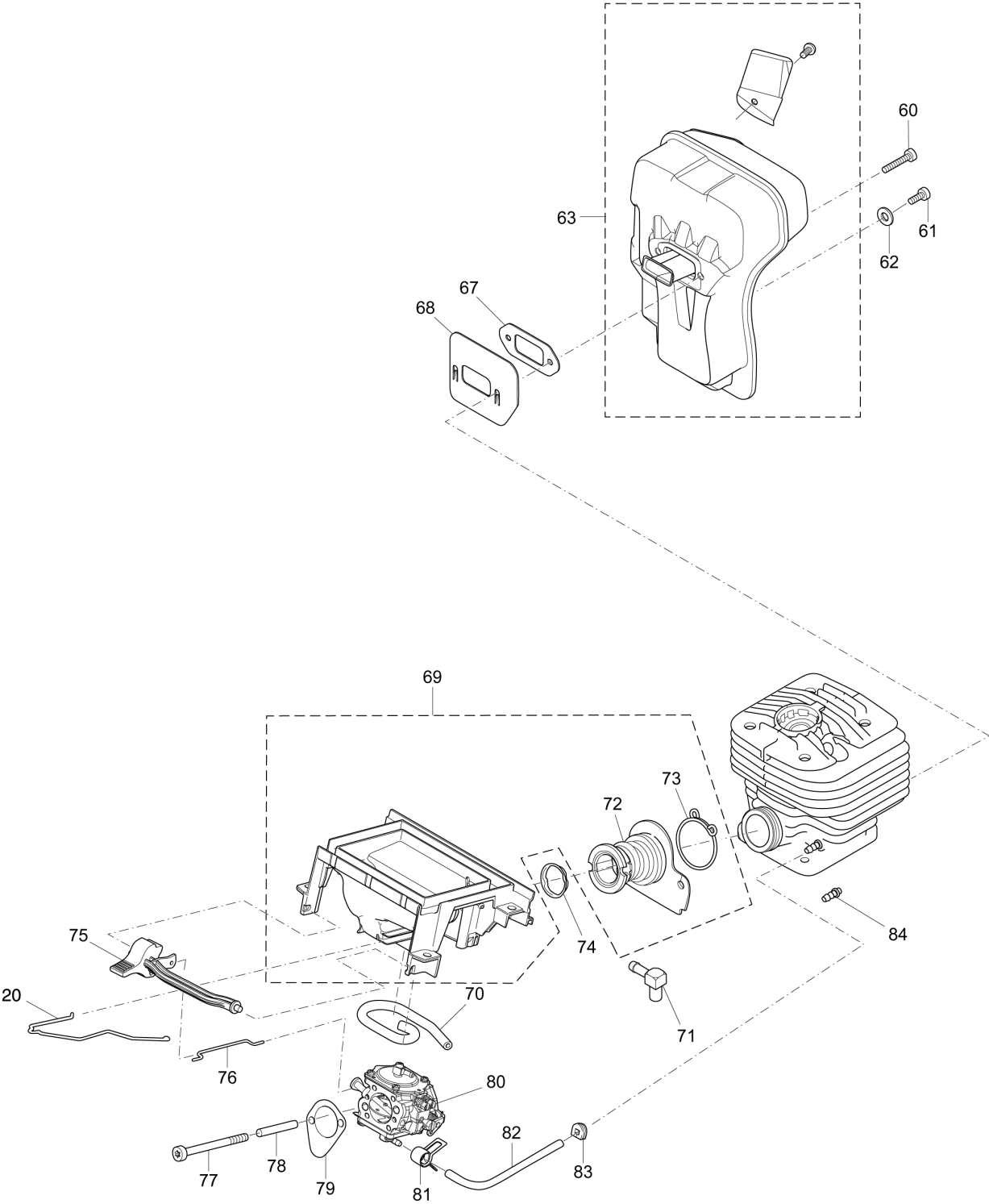
PC8216

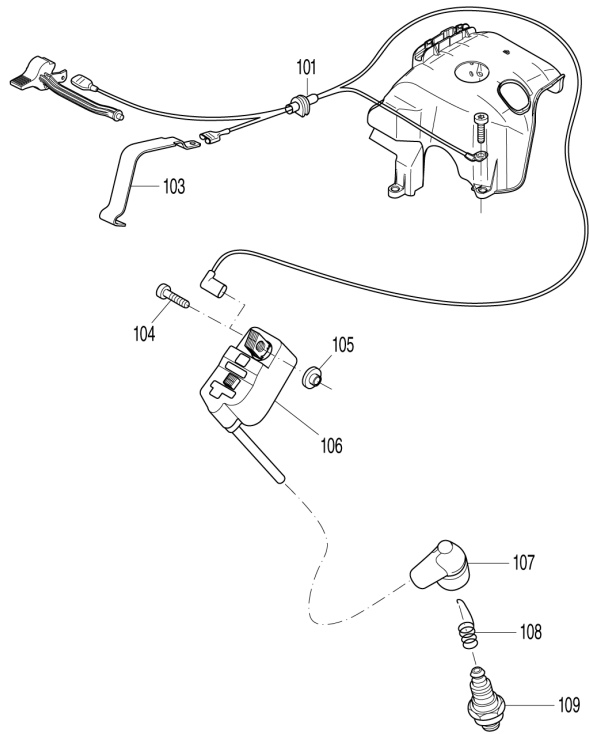
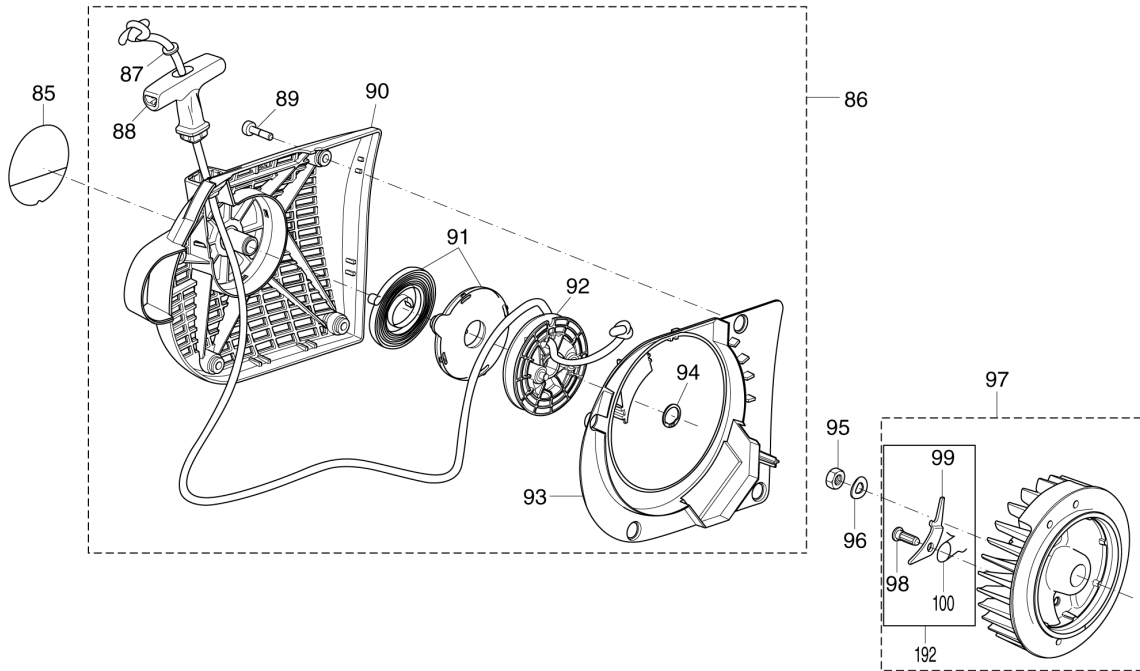
POWER CUTTER

(DE) PC8216 / POWER CUTTER

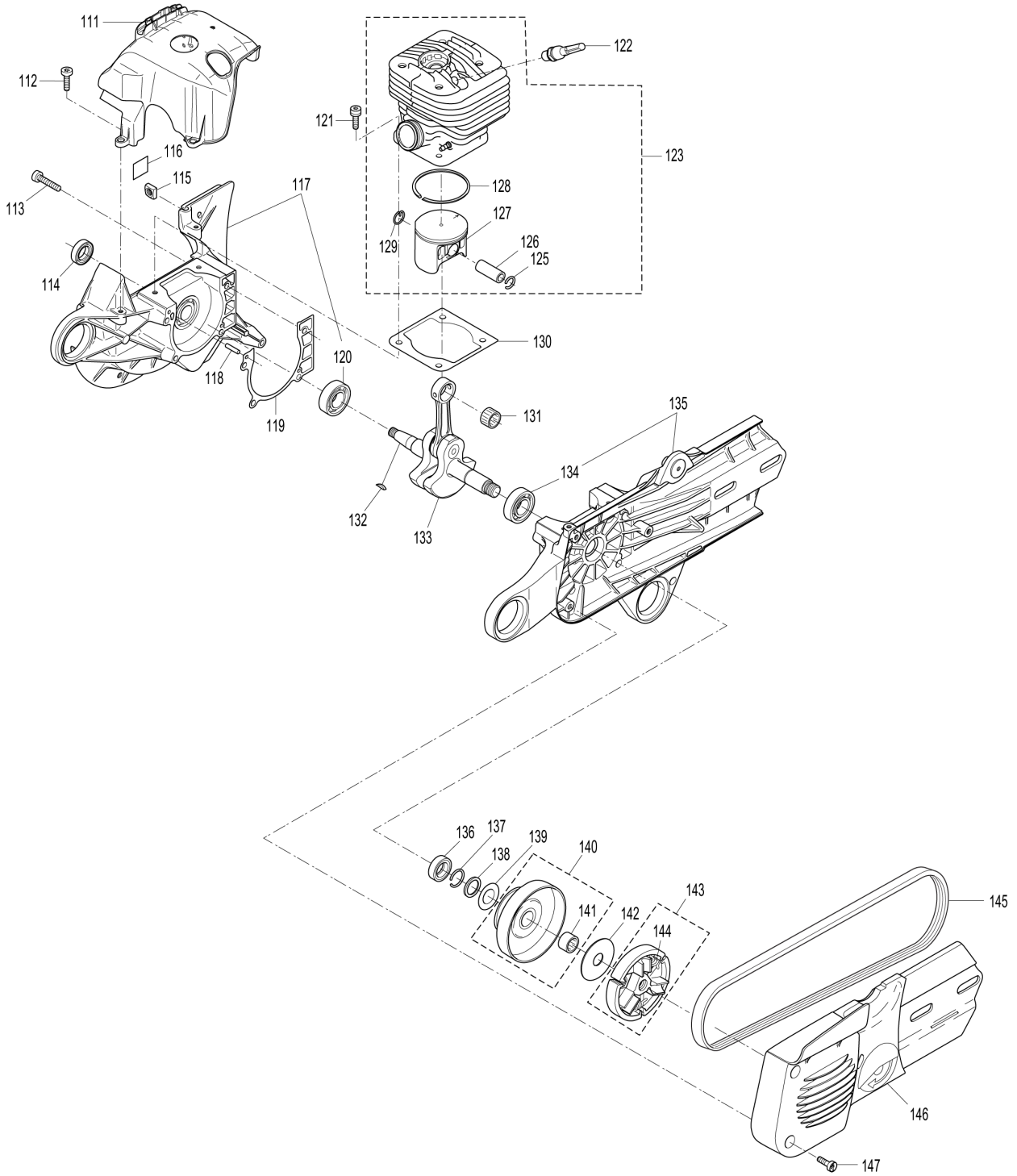




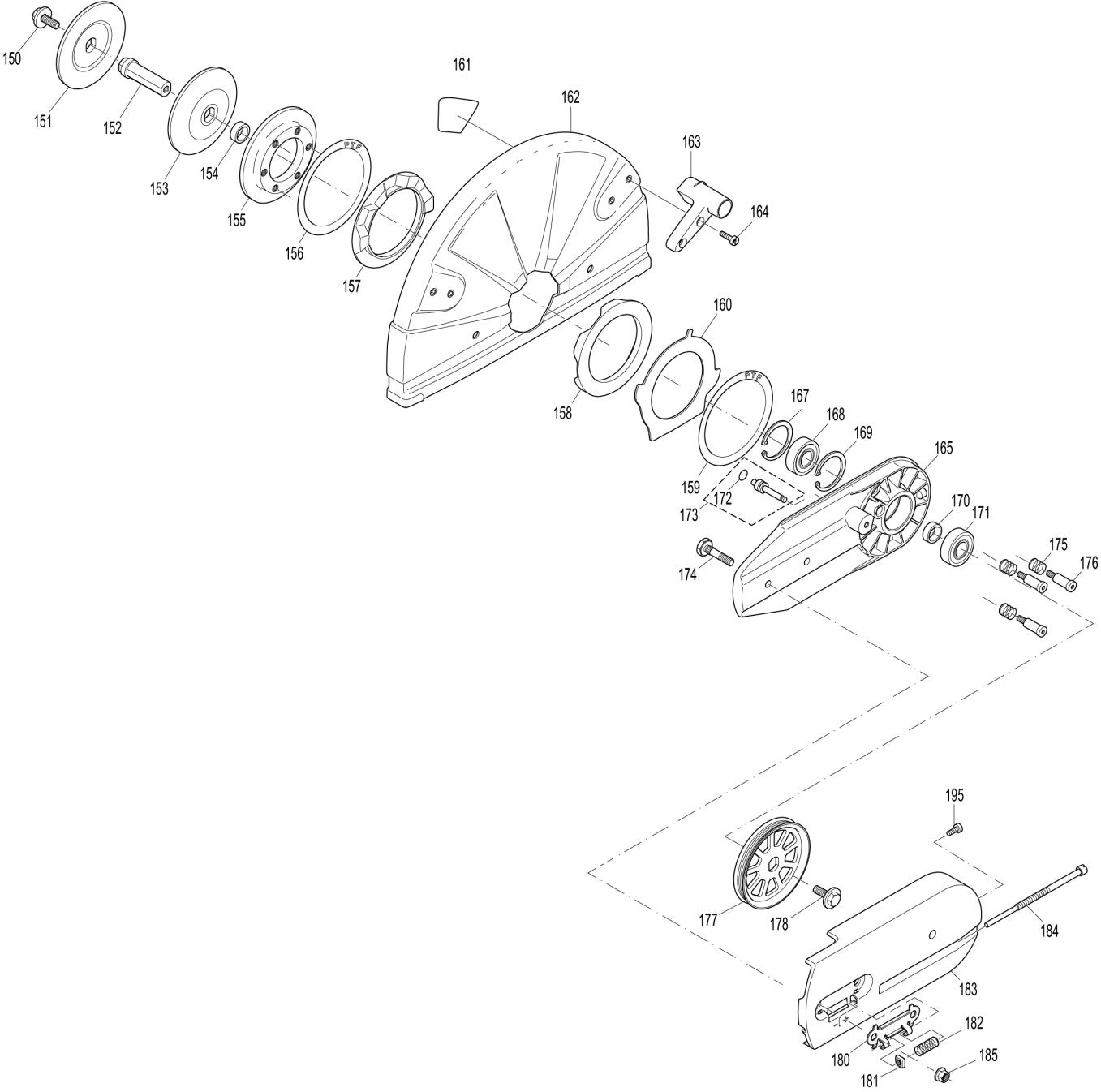


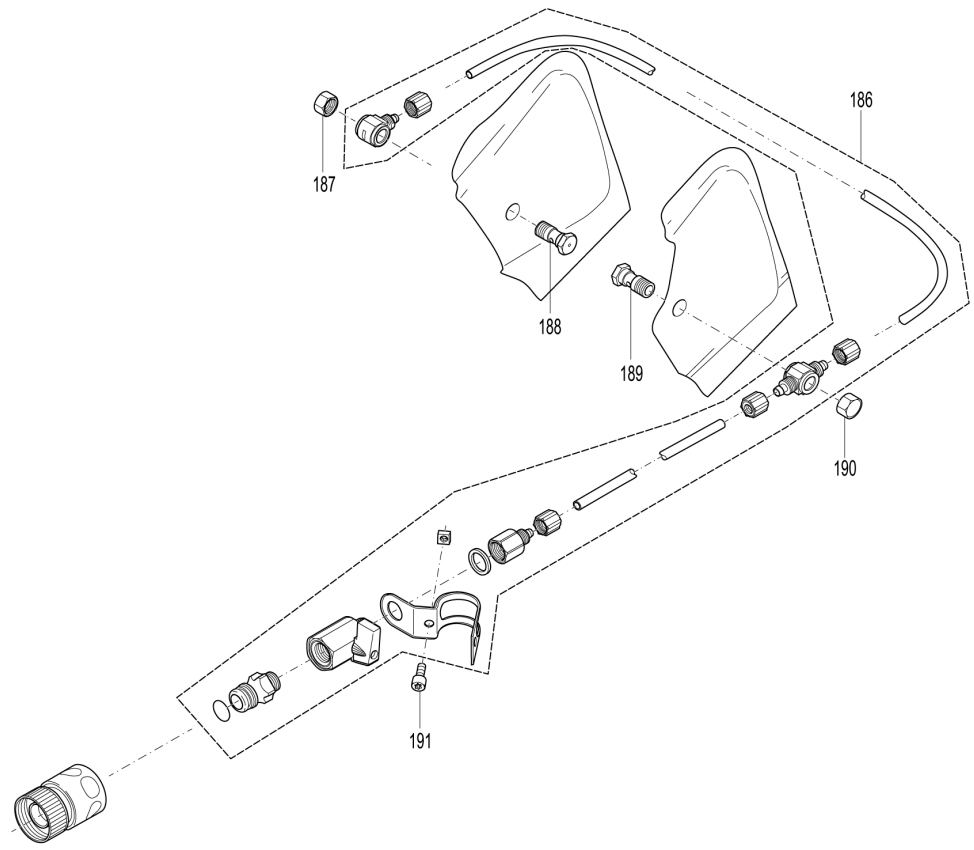


(DE) PC8216 / POWER CUTTER



(DE) PC8216 / POWER CUTTER





DE	GERMANY
-----------	----------------

PC8216 / POWER CUTTER

Item	Sub	Parts No.	Parts Description	Qty	I/C	E/C No.	Close No.	Remark
001		168507-3	TANK CAP COMPLETE	1				
	D10		INC. 2					
002		213080-9	O RING 29.5	1				
003		163499-1	SUCTION HEAD	1				
005		266687-0	TAPPING SCREW 5.5X45	1				
006		346870-6	WASHER 5.8X26X2	1				
007		424695-9	VIBRATION DAMPER	1				
008		319268-0	AXLE FOR VIBRATION DAMPER	1				
009		123319-1	FUEL TANK CPL. RED	1			D4816	
	D10		INC. 10-19				D4816	
009-1		140Y28-7	FUEL TANK CPL. RED	1	O	D4816		
	D10		INC. 10-19			D4816		
010		422063-0	SINTER INSERT	1			D1799	
011		424170-5	VALVE	1			D1799	
011-1		195762-4	AIR VALVE SET	1	S	D1799		
012		424723-0	FUEL LINE	1				
013		252897-5	SCREW PLUG	4				
014		268335-7	PIN 3	1				
015		268233-5	PIN 3	1				
016		455821-9	SAFETY LEVER	1				
017		233626-5	SPRING	1				
018		455820-1	THROTTLE LEVER	1				
019		806J47-0	INDICATION LABEL	1				
020		326497-8	THROTTLE LINKAGE	1				
021		455806-5	RETAINER FOR DAMPER BLACK	1				
022		424695-9	VIBRATION DAMPER	1				
023		319268-0	AXLE FOR VIBRATION DAMPER	1				
024		266943-8	H.L. SOCKET HEAD BOLT M5X40	1				
025		123320-6	SIDE SUPPORT DOLMAR	1				
	D10		INC. 26					
026		806J45-4	DOLMAR LOGO LABEL	1				
027		266475-5	H.L.TAPPING SCREW 5.5X20	2				
028		319268-0	AXLE FOR VIBRATION DAMPER	1				
029		424695-9	VIBRATION DAMPER	1				
030		346870-6	WASHER 5.8X26X2	1				
031		266687-0	TAPPING SCREW 5.5X45	1				
032		266687-0	TAPPING SCREW 5.5X45	1				
033		346871-4	WASHER	1				
034		424695-9	VIBRATION DAMPER	1				
035		852C53-1	PC-8216 NAME PLATE	1				
036		143097-7	WRAP AROUND HANDLE CPL	1				
037		319270-3	FOOT, MACHINED	1				
038		266687-0	TAPPING SCREW 5.5X45	2				
039		424693-3	PLUG	1				
041		123309-4	COVER CPL. BLACK PRE-FILTER	1			C3558	
	D10		INC. 43,45				C3558	
041-1		127087-8	FILTER COVER ASSEMBLY	1	<	C3558		
	D10		INC. 43,45			C3558		
042		266692-7	THUMB SCREW M6X15	1				
043		123312-5	FILTER COVER COMPLETE	1				
	D10		INC. 42,44					
044		806J48-8	CAUTION LABEL	1			B4034	
044-1		807L79-2	CAUTION LABEL	1	O	B4034		
045		424700-2	PRE-FILTER	1				
053		266941-2	H.L. SOCKET HEAD BOLT M5X50	4				
054		123308-6	HOOD CPL. BLACK	1			D4196	
	D10		INC. 55-57				D4196	
054-1		127707-4	HOOD COMPLETE	1	<	D4196		
	D10		INC. 55-57			D4196		
055		424697-5	PACKING RING	1				
056		806J50-1	CAUTION LABEL	1			D4196	
056-1		8022G9-7	CAUTION LABEL	1	<	D4196		
057		424703-6	DEKO COVER	1				
058		424701-0	AIR FILTER	1				
059		424705-2	INNER FILTER	1				

Interchange
O : Yes
X : No
< : the new part can be substituted for the current.
> : the current part can be substituted for the new.
S : Interchangeable as a set.

DE	GERMANY
----	---------

PC8216 / POWER CUTTER

Item	Sub	Parts No.	Parts Description	Qty	I/C	E/C No.	Close No.	Remark
060		266960-8	H.L. SOCKET HEAD BOLT M5X20	2				
061		266946-2	H.L. SOCKET HEAD BOLT M5X12	1				
062		267821-5	SPRING WASHER 5	1				
063		161338-9	MUFFLER CPL.	1				
067		346876-4	MUFFLER GASKET	1				
068		346868-3	COOLING PLATE	1				
069		123310-9	INTAKE MANIFOLD CPL.	1			C6287	
	D10		INC. 70,72,73				Y07677	
	D11		INC. 72,73			Y07677	C6287	
069-1		127098-3	INTAKE MANIFOLD ASSEMBLY	1	S	C6287		
	D11		INC. 72,73			C6287		
070		424699-1	TUBE BLACK RED	1			C6287	
071		161311-9	ANGULAR NIPPLE	1			C6287	
072		424708-6	INTAKE HOSE	1				
073		233625-7	SPRING CLAMP	1				
074		346867-5	GUIDE RING	1				
075		455808-1	CHOKE SHAFT	1			DA622	
075-1		191U97-7	CHOKE SHAFT SET	1	S	DA622		
076		326496-0	CHOKE LINKAGE	1				
077		266944-6	H.L. SOCKET HEAD BOLT M4X55	2				
078		424710-9	INSULATION TUBE	2			D0934	
078-1		412601-6	INSULATION TUBE 4-15	2	O	D0934		
079		346874-8	GASKET	1				
080		161315-1	CARBURETOR	1			C6287	
080-1		162532-6	CARBURETOR	1	S	C6287		
081		324616-0	HOSE CLAMP	1				
082		424698-3	TUBE 3-120	1				
083		424696-7	RUBBER GROMMET	1				
084		326499-4	NIPPLE	1			Y07252	
085		806P13-3	DOLMAR LOGO LABEL	1				
086		123318-3	STARTING DEVICE CPL. RED	1				
	D10		INC. 87-94				D4113	
	D11		INC. 87-94,202			D4113		
087		267862-1	SPRING WASHER 5	1				
088		452458-3	STARTER GRIP	1				
089		266938-1	H.L. SOCKET HEAD BOLT M5X20	4				
090		123317-5	STARTER HOUSING RED	1				
091		140587-1	REWIND SPRING COMPLETE	1				
092		143098-5	CABLE DRUM COMPLETE	1				
093		455805-7	AIR GUIDE PLATE	1				
094		257997-6	RETAINING RING A14X1V	1				
095		264107-8	HEXAGONAL NUT M8	1				
096		267822-3	SPRING WASHER 8	1				
097		123306-0	FLYWHEEL D=120 CPL	1				
	D10		INC. 98-100					
098		326500-5	BEARING BOLT	2			D1799	
098-1		327728-8	BEARING BOLT	2	<	D1799		
099		346865-9	STARTER-RATCHET	2				
100		233535-8	TORSION SPRING 13	2				
101		632E41-4	CABLE WITH PLUG	1				
103		346869-1	CONTACT SPRING	1			DA622	
104		266942-0	H.L. SOCKET HEAD BOLT M5X20	2				
105		451462-9	ISOLATING WASHER	2				
106		161310-1	IGNITION COIL CDIM 120-15	1			DB428	
106-1		161310-1	IGNITION COIL CDIM 120-15	1	O	DB428		
107		424706-0	PLUG CAP	1				
108		234358-7	TERMINAL SPRING	1				
109		168517-0	SPARK PLUG	1				
111		455819-6	HOOD	1				
112		266940-4	H.L. SOCKET HEAD BOLT M5X15	3				
113		266945-4	H.L. SOCKET HEAD BOLT M5X30	5				
114		213814-0	RADIAL RING	1				
115		264108-6	SQUARE NUT M5	1				
116		424707-8	RUBBER SHEET	1				
117		143226-2	CRANKCASE MS CPL.	1				

Interchange
O : Yes
X : No
< : the new part can be substituted for the current.
> : the current part can be substituted for the new.
S : Interchangeable as a set.

DE	GERMANY
-----------	----------------

PC8216 / POWER CUTTER

Item	Sub	Parts No.	Parts Description	Qty	I/C	E/C No.	Close No.	Remark
	D10		INC. 120					
118		258038-1	CLAMPING PIN	2				
119		346877-2	CRANK CASE GASKET	1				
120		211154-0	BALL BEARING 6202	1				
121		266473-9	H.L. SOCKET HEAD BOLT M5X23	4			D1214	
121-1		266473-9	H.L. SOCKET HEAD BOLT M5X23	4	O	D1214		
122		455804-9	DECOMPRESSION VALVE	1				
123		123441-4	CYLINDER PISTON SET	1			Y07252	
	D10		INC. 125-129				Y07252	
123-1		135794-9	CYLINDER ASS'Y	1	S	Y07252		
	D10		INC. 125-129			Y07252		
125		234359-5	CIRCLIP 12	1				
126		257841-7	PISTON PIN	1				
127		319282-6	PISTON 52	1			B7399	
127-1		198667-7	PISTON SET	1	X	B7399		
	D10		INC. 125,126,128,129			B7399		
128		257381-5	PISTON RING 52	1				
129		234359-5	CIRCLIP 12	1				
130		346873-0	GASKET	1				
131		212133-1	PISTON PIN BEARING 12X16X13	1				
132		254042-8	WOODRUFF-KEY 3X3,7	1				
133		143109-6	CRANKSHAFT CPL.	1				
134		211154-0	BALL BEARING 6202	1				
135		143225-4	CRANKCASE CS CPL	1			Y07697	
	D10		INC. 134				Y07697	
135-1		183K29-8	CRANKCASE CS SET	1	O	Y07697		
	D10		INC. 134			Y07697		
136		213814-0	RADIAL RING	1				
137		234366-8	SNAP RING A 16	1				
138		346872-2	STOP RING	1				
139		346866-7	GUIDE DISK	1				
140		161318-5	CLUTCH DRUM CPL.	1				
	D10		INC. 141					
141		212134-9	NEEDLE ROLLER BEARING 15X21X16	1				
142		267389-1	FLAT WASHER 12	1				
143		123305-2	CLUTCH, CPL	1				
	D10		INC. 144					
144		231892-8	TENSION SPRING	3			B3695	
144-1		231896-0	TENSION SPRING	3	O	B3695	B5368	
144-2		232352-3	TENSION SPRING 6	3	O	B5368	D4267	
144-3		232352-3	TENSION SPRING 6	3	O	D4267		
145		424711-7	V-BELT	1				
146		455834-0	COVER RED WITH SLOTS	1				
147		266947-0	H.L. SOCKET HEAD BOLT M5X14	3				
150		266976-3	HEX. BOLT M8X25	1				
151		224443-4	FLANGE 102	1				
152		326502-1	AXLE	1				
153		224443-4	FLANGE 102	1				
154		257375-0	SPACER, 8MM	1				
155		318746-7	PRESSURE RING	1				
156		442169-8	SLIDING DISC	1				
157		424426-6	RUBBER RING(INNER)	1				
158		424427-4	RUBBER RING(OUTER)	1				
159		442169-8	SLIDING DISC	1				
160		346455-8	IMPACT PLATE	1				
161		807B75-0	CAUTION LABEL	1			B0819	
161-1		807B75-0	CAUTION LABEL	1	O	B0819	D4196	
161-2		8022H1-0	CAUTION LABEL	1	<	D4196		
162		347005-2	HOOD	1			B0819	
162-1		143793-7	HOOD COMPLETE	1	<	B0819	D4196	
	D10		INC. 161			B0819	D4196	
162-2		140X27-3	HOOD COMPLETE	1	<	D4196		
	D10		INC. 161			D4196		
163		452938-9	GRIP	1				
164		266725-8	H.L.SOCKET HEAD BOLT M5X16	2			D3156	

Interchange
O : Yes
X : No
< : the new part can be substituted for the current.
> : the current part can be substituted for the new.
S : Interchangeable as a set.

DE | GERMANY**PC8216 / POWER CUTTER**

Item	Sub	Parts No.	Parts Description	Qty	I/C	E/C No.	Close No.	Remark
164-1		265642-9	H.L.SOCKET HEAD BOLT M5X16	2	O	D3156		
165		319289-2	CUTTING DEVICE	1				
167		257998-4	RETAINING RING 40X1,75	1				
168		211281-3	BALL BEARING 6203LLU	1				
169		257998-4	RETAINING RING 40X1,75	1				
170		257375-0	SPACER, 8MM	1				
171		211281-3	BALL BEARING 6203LLU	1				
172		213625-3	O-RING 9	1				
173		123307-8	STOP BOLT CPL.	1				
	D10		INC. 172					
174		266688-8	HEX. BOLT M8	2			B9819	
174-1		266969-0	HEX. BOLT M8	2	O	B9819	D1463	
174-2		266688-8	HEX. BOLT M8	2	O	D1463		
175		234216-7	COMPRESSION SPRING 8	3				
176		266689-6	H.L.COLLAR BOLT M6	3				
177		222185-4	BELT PULLEY	1				
178		266976-3	HEX. BOLT M8X25	1				
180		346457-4	PLATE	1				
181		264112-5	SQUARE NUT M6	1				
182		234215-9	COMPRESSION SPRING 6	1				
183		456066-2	BELT COVER	1				
184		266691-9	TENSIONING SCREW M6	1			D3156	
184-1		265644-5	TENSIONING SCREW M6	1	O	D3156		
185		252145-2	COLLARED HEX NUT M8	2				
186		123369-6	PARTS FOR WATER ATTCHMENT KIT	1				
187		264109-4	CAPPING NUT	1				
188		266949-6	HOLLOW SCREW, BORED	1				
189		266949-6	HOLLOW SCREW, BORED	1				
190		264109-4	CAPPING NUT	1				
191		266950-1	H.L.SOCKET HEAD BOLT M6X14	1				
192		183F34-5	STARTER-RATCHET SET	2		Y08209		
	D10		INC. 98,99,100			Y08209		
193		319294-9	FOOT	1				
194		266605-8	H.L. SOCKET HEAD BOLT M5X16	4				
195		266974-7	H.L. TAPPING SCREW 5 12	1				
201		422383-2	SEALING	1	S	C6287		
202		422655-5	STARTER ROPE	1		D4113		
A01		197200-2	TOOL KIT	1			D1888	
	C10	782025-3	HEXALOBULAR WRENCH 27	1			D1888	
	C20	782028-7	UNIVERSAL WRENCH 13-19	1			D1888	
	C30	783012-5	SCREWDRIVER	1			D1888	
	C40	831340-3	TOOL BAG	1			D1888	
A01-1		197200-2	TOOL KIT	1	O	D1888		
	C10	782025-3	HEXALOBULAR WRENCH 27	1		D1888		
	C20	782028-7	UNIVERSAL WRENCH 13-19	1		D1888		
	C30	783012-5	SCREWDRIVER	1		D1888		
	C40	831340-3	TOOL BAG	1		D1888		
A02		123121-2	COUPLING SLEEVE	1				
A03		197318-9	ADAPTER BUSHING	1				
E01		809P12-4	CLEAR LABEL	1		B2266	C9168	

Interchange
O : Yes
X : No
< : the new part can be substituted for the current.
> : the current part can be substituted for the new.
S : Interchangeable as a set.