

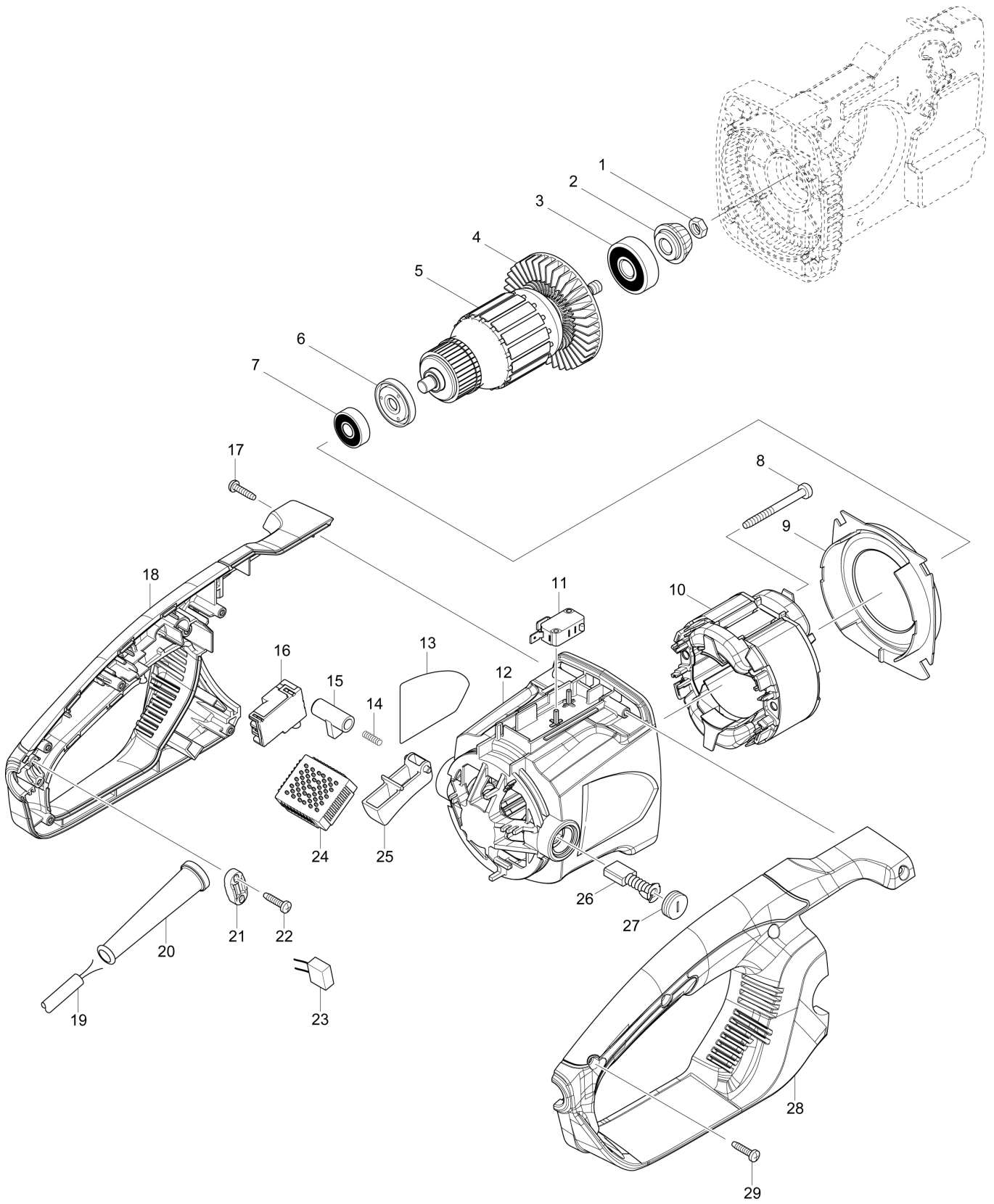


DE	GERMANY
----	---------

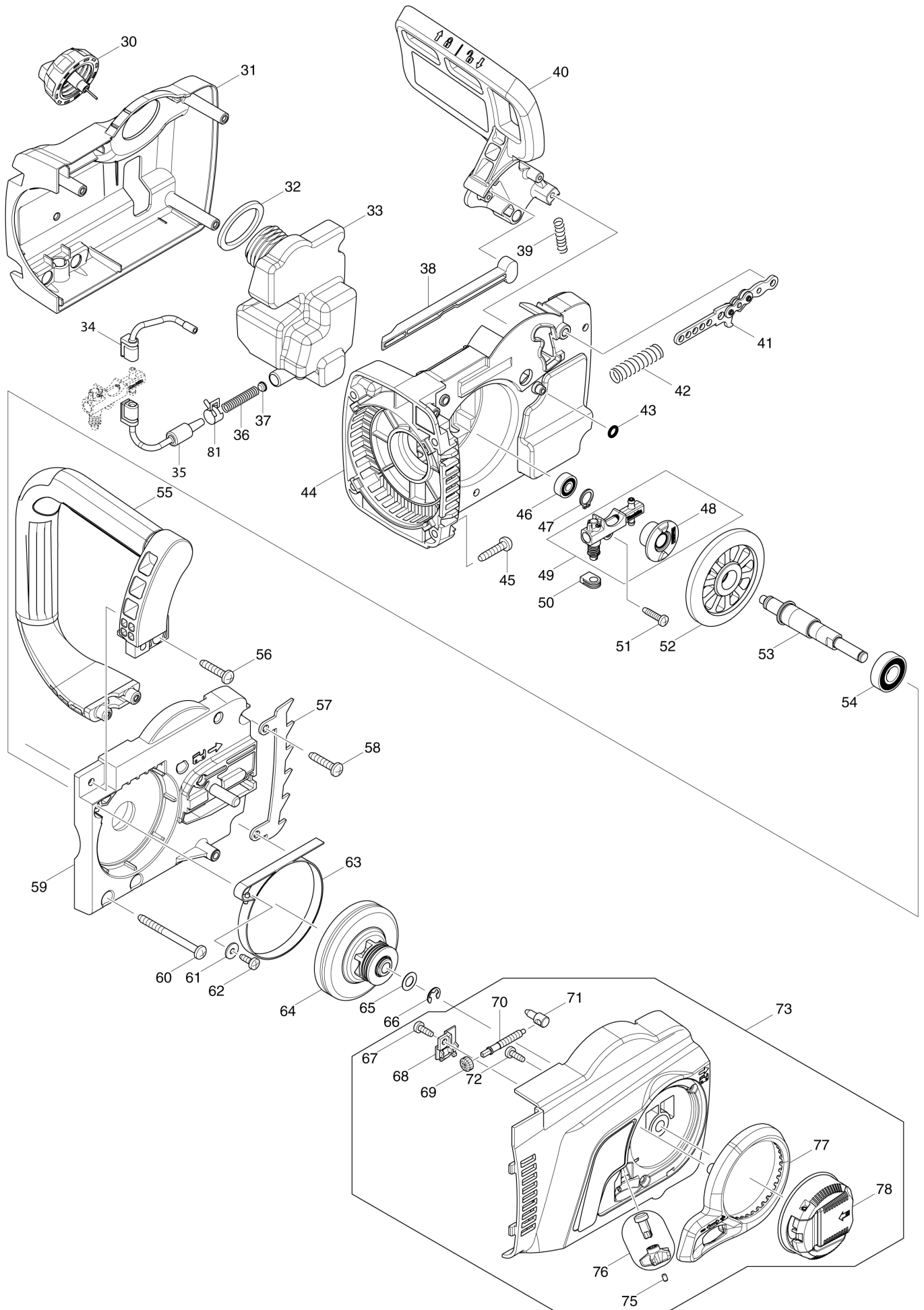
Diagram / Parts List

ES164TLC

ELECTRIC CHAIN SAW 350MM



(DE) ES164TLC / ELECTRIC CHAIN SAW 350MM



DE	GERMANY
-----------	----------------

ES164TLC / ELECTRIC CHAIN SAW 350MM

Item	Sub	Parts No.	Parts Description	Qty	I/C	E/C No.	Close No.	Remark
001		931403-6	HEX. NUT M8	1				
002		227626-5	SPIRAL BEVEL GEAR 12	1				
003		211111-8	BALL BEARING 6301LLB	1				
004		240003-4	FAN 80	1				
005		517904-4	ARMATURE ASS'Y 240V	1				
	D10		INC. 3,4,6,7					
006		681666-1	INSULATION WASHER	1				
007		210084-2	BALL BEARING 629ZZ	1				
008		266095-5	TAPPING SCREW 5X55	2				
009		419410-4	BAFFLE PLATE	1				
010		636394-3	FIELD 240V	1			Y08877	
010-1		520156-8	FIELD ASS'Y 240V	1	<	Y08877		
	C10	654020-2	RING TERMINAL	2		Y08877		
	C20	654501-6	CONNECTOR P-1.25	2		Y08877		
	C30	654207-6	RECEPTACLE	1		Y08877		
011		650577-1	SWITCH SD-006-BB2AA-AA	1				
012		142349-3	MOTOR HOUSING COMPLETE	1				
	C10	643653-8	BRUSH HOLDER 6.5-13.5	2			C3359	
	C11	643536-2	BRUSH HOLDER 6.5X13.5	2	<	C3359		
013		815G28-5	ES-164 TLC NAME PLATE	1				
014		233173-6	COMPRESSION SPRING 4	1				
015		416178-3	LOCK-OFF BUTTON	1			DH744	
015-1		413B17-0	LOCK OFF BUTTON	1	<	DH744		
016		650717-1	SWITCH TGC30B	1				
017		265995-6	TAPPING SCREW 4X18	1				
018		187902-8	HANDLE SET	1				
	C10	802G51-9	CAUTION LABEL	1				
	D10		INC. 28					
019		665894-6	POWER SUPPLY CORD 1.0-2-0.5	1				
020		682540-6	CORD GUARD 9.3-90	1				
021		687124-5	STRAIN RELIEF	1				
022		265995-6	TAPPING SCREW 4X18	2				
023		645105-5	NOISE SUPPRESSOR	1				
024		631719-6	CONTROLLER	1				
025		419411-2	SWITCH LEVER	1				
026		181044-0	CARBON BRUSH CB-153	1				
027		643650-4	BRUSH HOLDER CAP 6.5-13.5	2			B0305	
027-1		643650-4	BRUSH HOLDER CAP 6.5-13.5	2	O	B0305		
028		187902-8	HANDLE SET	1				
	C10	802G51-9	CAUTION LABEL	1				
	D10		INC. 18					
029		265995-6	TAPPING SCREW 4X18	6				
030		142282-9	TANK CAP COMPLETE	1				
031		454822-4	GEAR HOUSING COVER	1				
032		421959-2	SPONGE SEAL	1				
033		454826-6	OIL TANK	1				
034		424611-1	CONNECTOR B	1				
035		424610-3	CONNECTOR A	1				
036		231975-4	SPRING	1				
037		416274-7	CAP	1				
038		454825-8	ROD	1				
039		233174-4	COMPRESSION SPRING 6	1				
040		142341-9	FRONT HAND GUARD COMPLETE	1				
	C10	802K54-7	INDICATION LABEL	1				
041		158044-5	LINK PLATE COMPLETE	1				
042		234005-0	COMPRESSION SPRING 9	1				
043		213017-6	O RING 6	1				
044		454821-6	GEAR HOUSING	1				
045		266041-8	TAPPING SCREW 5X25	4				
046		210028-2	BALL BEARING 606ZZ	1			C8653	
046-1		210206-4	BALL BEARING 606ZZ	1	O	C8653		
047		961006-2	RETAINING RING S-10	1				
048		221427-3	WORM GEAR	1				
049B		196419-0	OIL PUMP SET	1			A5303	
	D10		INC. 48				A5303	

B:ES164 TLC(H)
F:ES164TLCX(H)

Interchange
O : Yes
X : No
< : the new part can be substituted for the current.
> : the current part can be substituted for the new.
S : Interchangeable as a set.

