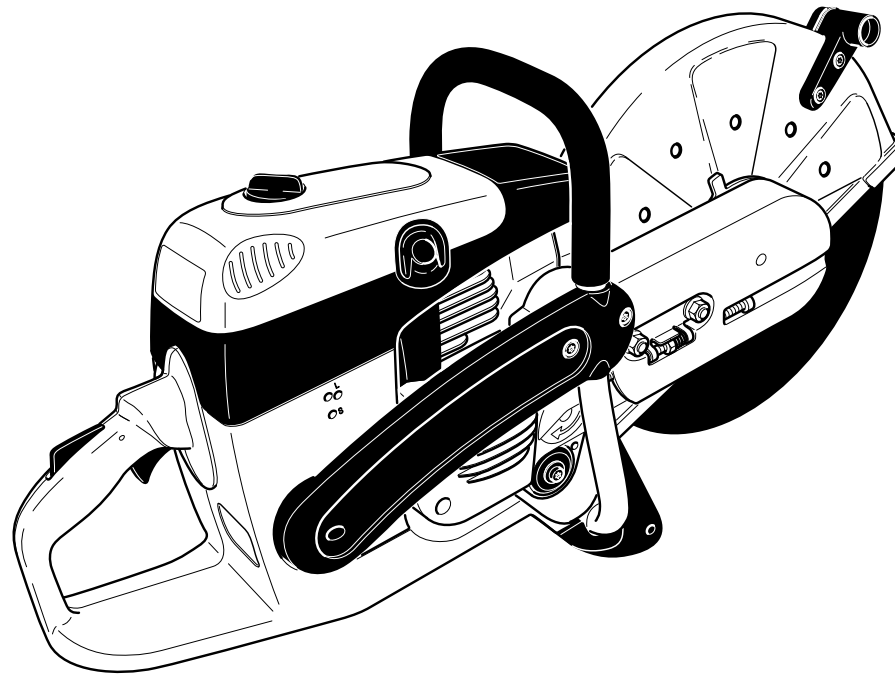




# Ersatzteilliste Spare Parts List

2022-02



- EK7300**
- EK7301**
- EK8100**
- PC-7412**
- PC7414**
- PC8216**

EK7300 (D, GB)

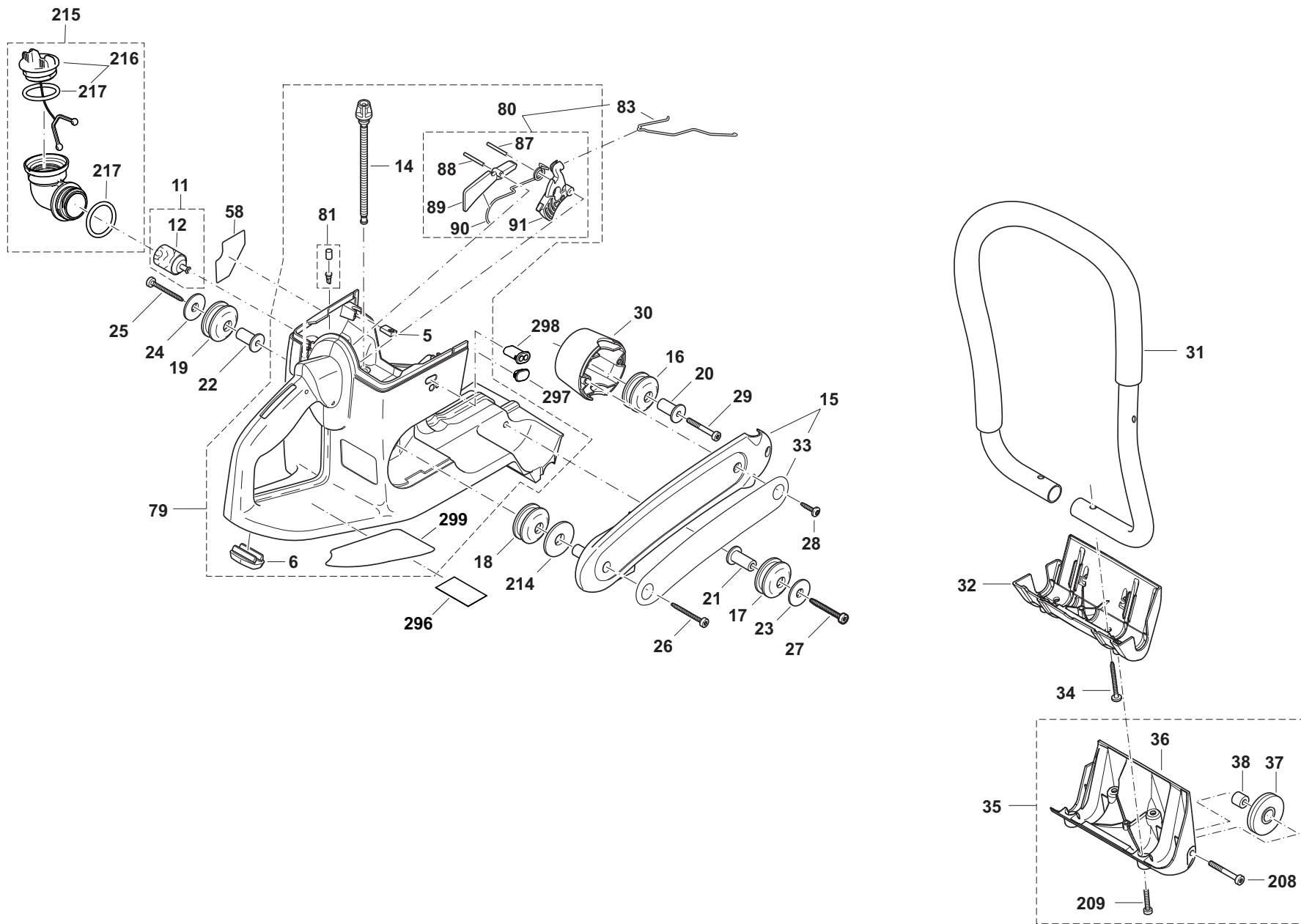
EK7300, EK7301, EK8100,  
PC-7412, PC7414, PC8216

**1**

Tankeinheit und Handgriffe  
Tank and handle grips

**Makita**

**DOLMAR**



EK7300, EK7301, EK8100,  
PC-7412, PC7414, PC8216

1

Tankeinheit und Handgriffe  
Tank and handle grips



| Seite / Page | Pos. | EK7300 | EK7301 | EK8100 | PC-7412 | PC7414 | PC8216 | Teil-Nr.<br>Part No. | Hinweise<br>Notes | Bezeichnung                        | Spezifikation<br>Specification              | Description                  |
|--------------|------|--------|--------|--------|---------|--------|--------|----------------------|-------------------|------------------------------------|---|------------------------------|
| 1            | 5    | 4      | 4      | 4      | 4       | 4      | 4      | 394114101            |                   | SCHRAUBEINSATZ                     |   | SCREW PLUG                   |
| 1            | 6    | 1      | 1      | 1      | 1       | 1      | 1      | 394114070            |                   | GUMMIFUß                           |   | RUBBER FOOT                  |
| 1            | 11   | 1      | 1      | 1      | 1       | 1      | 1      | 163499-1             |                   | SAUGKOPF KPL.                      | INC. 12                                     | SUCTION HEAD                 |
| 1            | 12   | 1      | 1      | 1      | 1       | 1      | 1      | 010114020            |                   | REPARATUR-SATZ, FILTER (JE 5 SATZ) | for 010114010 (163499-1)                    | REP. KIT, FILTER (5 OF EACH) |
| 1            | 14   | 1      | 1      | 1      | 1       | 1      | 1      | 965404913            |                   | SAUGSCHLAUCH KRAFTSTOFF            | EPA code                                    | FUEL LINE                    |
| 1            | 15   |        |        |        | 1       | 1      | 1      | 395310101            | 2010 =>           | SEITENSTREBE, GEÄTZT               | DOLMAR, black, etched                       | BRACKET                      |
| 1            | 15   | 1      | 1      | 1      |         |        |        | 395310600            | 2010 =>           | SEITENSTREBE, GEÄTZT               | MAKITA, black, etched                       | BRACKET                      |
| 1            | 16   | 1      | 1      | 1      | 1       | 1      | 1      | 424695-9             |                   | SCHWINGUNGSDÄMPFER                 |   | RUBBER BUFFER                |
| 1            | 17   | 1      | 1      | 1      | 1       | 1      | 1      | 424695-9             |                   | SCHWINGUNGSDÄMPFER                 |   | RUBBER BUFFER                |
| 1            | 18   | 1      | 1      | 1      | 1       | 1      | 1      | 424695-9             |                   | SCHWINGUNGSDÄMPFER                 |   | RUBBER BUFFER                |
| 1            | 19   | 1      | 1      | 1      | 1       | 1      | 1      | 424695-9             |                   | SCHWINGUNGSDÄMPFER                 |   | RUBBER BUFFER                |
| 1            | 20   | 1      | 1      | 1      | 1       | 1      | 1      | 394114281            |                   | ACHSE FÜR DÄMPFER                  |   | AXLE                         |
| 1            | 21   | 1      | 1      | 1      | 1       | 1      | 1      | 394114281            |                   | ACHSE FÜR DÄMPFER                  |   | AXLE                         |
| 1            | 22   | 1      | 1      | 1      | 1       | 1      | 1      | 394114281            |                   | ACHSE FÜR DÄMPFER                  |   | AXLE                         |
| 1            | 23   | 1      | 1      | 1      | 1       | 1      | 1      | 900005078            |                   | ANLAGESCHEIBE                      |   | WASHER                       |
| 1            | 24   | 1      | 1      | 1      | 1       | 1      | 1      | 900005078            |                   | ANLAGESCHEIBE                      |   | WASHER                       |
| 1            | 25   | 1      | 1      | 1      | 1       | 1      | 1      | 913455454            |                   | SCHRAUBE T                         | 5,5x45                                      | TAPPING SCREW T              |
| 1            | 26   | 1      | 1      | 1      | 1       | 1      | 1      | 913455454            |                   | SCHRAUBE T                         | 5,5x45                                      | TAPPING SCREW T              |
| 1            | 27   | 1      | 1      | 1      | 1       | 1      | 1      | 913455454            |                   | SCHRAUBE T                         | 5,5x45                                      | TAPPING SCREW T              |
| 1            | 28   | 2      | 2      | 2      | 2       | 2      | 2      | 266475-5             |                   | SCHRAUBE T                         | 5,5x20                                      | TAPPING SCREW T              |
| 1            | 29   | 1      | 1      | 1      | 1       | 1      | 1      | 266943-8             |                   | SCHRAUBE T                         | M5x40                                       | H.L. SOCKET HEAD BOLT T      |
| 1            | 30   | 1      | 1      | 1      | 1       | 1      | 1      | 455806-5             | 2010 =>           | AUFNAHMETOPF, SCHWARZ, GEÄTZT      | black, etched                               | POT                          |
| 1            | 31   | 1      | 1      | 1      | 1       | 1      | 1      | 143097-7             |                   | RUNDUMBÜGELGRIFF KPL.              |   | WRAP AROUND HANDLE ASSY.     |
| 1            | 32   | 1      | 1      | 1      | 1       | 1      | 1      | 395250020            |                   | STANDFUSS                          |   | STAND SET                    |
| 1            | 33   |        |        |        | 1       | 1      | 1      | 806J45-4             |                   | SCHILD                             | DOLMAR                                      | LABEL                        |
| 1            | 33   | 1      | 1      | 1      |         |        |        | 980115215            |                   | SCHILD                             | MAKITA                                      | LABEL                        |
| 1            | 34   | 2      | 2      | 2      | 2       | 2      | 2      | 913455454            |                   | SCHRAUBE T                         | 5,5x45                                      | TAPPING SCREW T              |
| 1            | 35   | 1      | 1      | 1      | 1       | 1      | 1      | 394114272            | Acc.              | STANDFUß MIT ROLLEN KPL.           | INC. 36-38,208,209                          | FOOT CPL.                    |
| 1            | 37   | 2      | 2      | 2      | 2       | 2      | 2      | 394114230            | Acc.              | ROLLE                              |   | ROLLER                       |
| 1            | 38   | 2      | 2      | 2      | 2       | 2      | 2      | 395250050            | Acc.              | BUCHSE                             |   | BUSH                         |
| 1            | 58   |        |        |        | 1       | 1      | 1      | 806N90-3             |                   | SCHILD                             | MIX, USA, CDN, AUS                          | LABEL                        |
| 1            | 58   | 1      | 1      | 1      |         |        |        | 806N89-8             |                   | AUFKLEBER                          | MIX, USA, CDN, AUS                          | LABEL                        |
| 1            | 79   |        |        |        | 1       | 1      | 1      | 123319-1             | => 2020-10        | TANK KPL. MIT MECHANIK ROT         | red, highly polished INC. 5,6,14,80,81,299  | FUEL TANK CPL.               |
| 1            | 79   |        |        |        | 1       | 1      | 1      | 395114111            | => 2020-10        | TANK KPL. MIT MECHANIK ROT         | USA (EPA) INC. 5,6,14,80,81,269,299         | TANK CPL., RED               |
| 1            | 79   |        |        |        | 1       | 1      | 1      | 140Y28-7             | 2020-11 =>        | TANK KPL. MIT MECHANIK ROT         | red, highly polished INC. 5,6,14,80,81,299  | TANK CPL.                    |
| 1            | 79   | 1      | 1      | 1      |         |        |        | 395114603            | => 2020-10        | TANK KPL. MIT MECHANIK BLAU        | blue, highly polished INC. 5,6,14,80,81,299 | FUEL TANK CPL.               |
| 1            | 79   | 1      | 1      | 1      |         |        |        | 395114641            | => 2020-10        | TANK KPL. MIT MECHANIK BLAU        | USA (EPA) INC. 5,6,14,80,81,269,299         | TANK CPL., BLUE              |
| 1            | 79   | 1      | 1      | 1      |         |        |        | 140Y29-5             | 2020-11 =>        | TANK KPL. MIT MECHANIK BLAU        | blue, highly polished INC. 5,6,14,80,81,299 | TANK CPL.                    |
| 1            | 80   | 1      | 1      | 1      | 1       | 1      | 1      | 957117040            |                   | GASMECHANIK KPL.                   | INC. 83                                     | THROTTLE MECHANISM, CPL.     |
| 1            | 81   | 1      | 1      | 1      | 1       | 1      | 1      | 195762-4             |                   | SATZ BELÜFTUNGSVENTIL              |   | AIR VALVE CPL.               |
| 1            | 83   | 1      | 1      | 1      | 1       | 1      | 1      | 395117011            |                   | GASGESTÄNGE                        |   | THROTTLE LINKAGE             |
| 1            | 87   | 1      | 1      | 1      | 1       | 1      | 1      | 268335-7             |                   | ZYLINDERSTIFT                      | 3x28  | CYLINDRICAL PIN              |

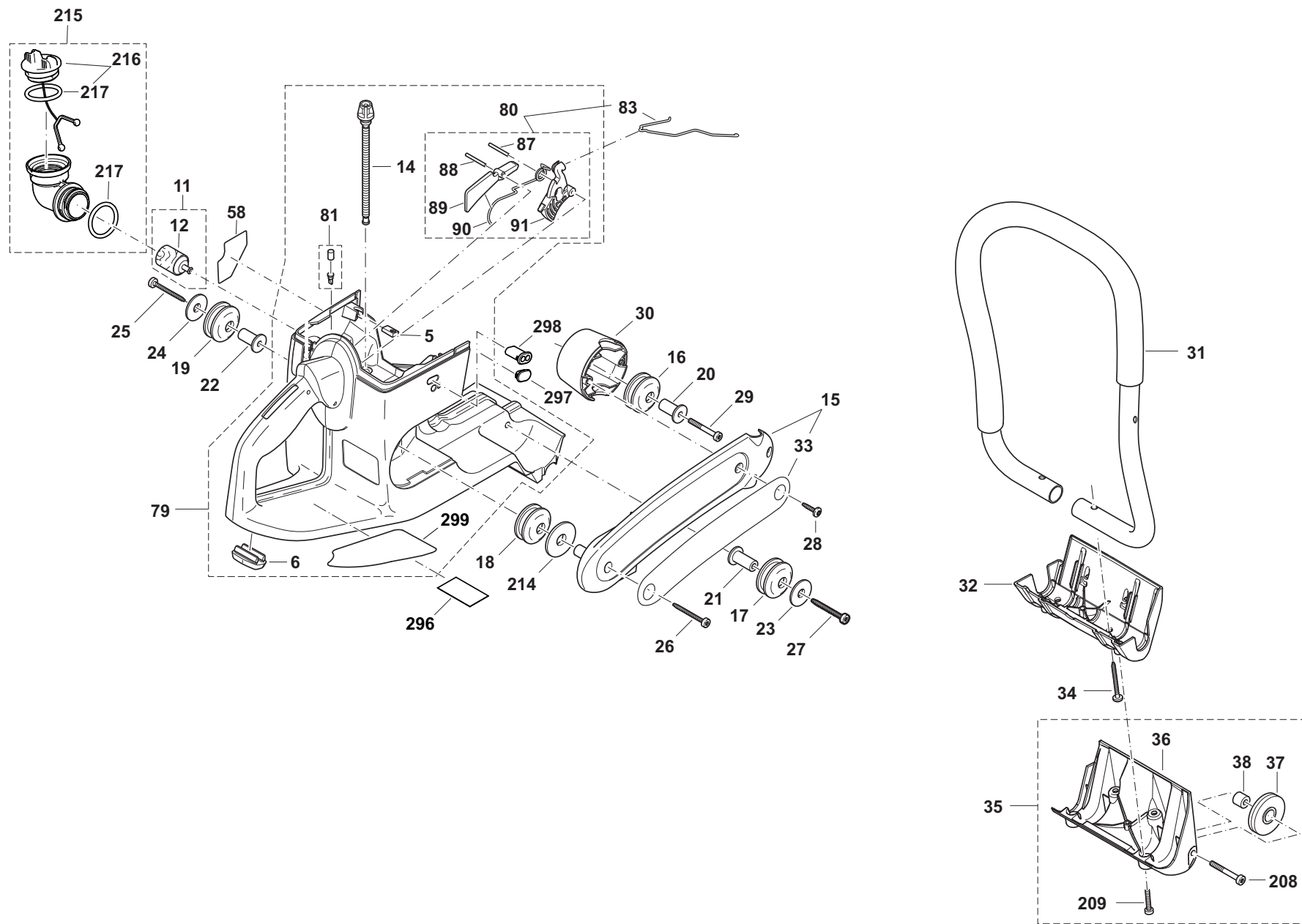
EK7300, EK7301, EK8100,  
PC-7412, PC7414, PC8216

1

Tankeinheit und Handgriffe  
Tank and handle grips

**makita**

**DOLMAR**



EK7300, EK7301, EK8100,  
PC-7412, PC7414, PC8216

1

Tankeinheit und Handgriffe  
Tank and handle grips



| Seite / Page | Pos. | EK7300 | EK7301 | EK8100 | PC-7412 | PC7414 | PC8216 | Teil-Nr.<br>Part No. | Hinweise<br>Notes | Bezeichnung               | Spezifikation<br>Specification     | Description         |
|--------------|------|--------|--------|--------|---------|--------|--------|----------------------|-------------------|---------------------------|------------------------------------|---------------------|
| 1            | 88   | 1      | 1      | 1      | 1       | 1      | 1      | 268233-5             |                   | ZYLINDERSTIFT             | 3x24                               | CYLINDRICAL PIN     |
| 1            | 89   | 1      | 1      | 1      | 1       | 1      | 1      | 455821-9             |                   | SICHERHEITSTASTE          |                                    | CATCH LEVER         |
| 1            | 90   | 1      | 1      | 1      | 1       | 1      | 1      | 233626-5             |                   | SPIRALFEDER               |                                    | TORSION SPRING      |
| 1            | 91   | 1      | 1      | 1      | 1       | 1      | 1      | 455820-1             |                   | GASHEBEL                  |                                    | THROTTLE LEVER      |
| 1            | 208  | 2      | 2      | 2      | 2       | 2      | 2      | 908006356            | Acc.              | SCHRAUBE                  | M6x35                              | SCREW               |
| 1            | 209  | 4      | 4      | 4      | 4       | 4      | 4      | 908905165            |                   | SCHRAUBE T                | 5x16                               | SCREW T             |
| 1            | 214  | 1      | 1      | 1      | 1       | 1      | 1      | 900005076            |                   | ANLAGESCHEIBE             |                                    | WASHER              |
| 1            | 215  | 1      | 1      | 1      | 1       | 1      | 1      | 395114300            | Acc.              | WINKELTANKVERSCHLUSS KPL. | INC. 216,217                       | ANGULAR UNION ASSY. |
| 1            | 216  | 1      | 1      | 1      | 1       | 1      | 1      | 168507-3             |                   | TANKDECKEL KPL.           | INC. 217                           | TANK CAP ASSEMBLY   |
| 1            | 217  | 2      | 2      | 2      | 2       | 2      | 2      | 213080-9             |                   | O-RING                    | 29,5                               | O RING              |
| 1            | 296  |        |        |        | 1       | 1      |        | 808N27-6             |                   | AUFKLEBER                 | USA - Evaporation 2016 DOLMAR      | LABEL               |
| 1            | 296  |        |        |        | 1       | 1      |        | 806N93-7             |                   | AUFKLEBER                 | USA - Evaporation 2015 DOLMAR      | LABEL               |
| 1            | 296  |        |        |        |         |        | 1      | 808N30-7             |                   | AUFKLEBER                 | USA - Evaporation 2016 DOLMAR      | LABEL               |
| 1            | 296  |        |        |        |         |        | 1      | 807B79-2             |                   | AUFKLEBER                 | USA - Evaporation 2015 DOLMAR      | LABEL               |
| 1            | 296  | 1      | 1      |        |         |        |        | 8021S8-7             |                   | AUFKLEBER                 | USA - Evaporation 2020 Makita      | LABEL               |
| 1            | 296  | 1      | 1      |        |         |        |        | 819X27-1             |                   | AUFKLEBER                 | USA - Evaporation 2019 Makita      | LABEL               |
| 1            | 296  | 1      | 1      |        |         |        |        | 817Y57-2             |                   | AUFKLEBER                 | USA - Evaporation 2018 Makita      | LABEL               |
| 1            | 296  | 1      | 1      |        |         |        |        | 813M39-0             |                   | AUFKLEBER                 | USA - Evaporation 2017 Makita      | LABEL               |
| 1            | 296  | 1      | 1      |        |         |        |        | 808N28-4             |                   | AUFKLEBER                 | USA - Evaporation 2016 Makita      | LABEL               |
| 1            | 296  | 1      | 1      |        |         |        |        | 806N94-5             |                   | AUFKLEBER                 | USA - Evaporation 2015 Makita      | LABEL               |
| 1            | 296  |        |        | 1      |         |        |        | 8021T0-0             |                   | AUFKLEBER                 | USA - Evaporation 2020 Makita      | LABEL               |
| 1            | 296  |        |        | 1      |         |        |        | 819X29-7             |                   | AUFKLEBER                 | USA - Evaporation 2019 Makita      | LABEL               |
| 1            | 296  |        |        | 1      |         |        |        | 817Y59-8             |                   | AUFKLEBER                 | USA - Evaporation 2018 Makita      | LABEL               |
| 1            | 296  |        |        | 1      |         |        |        | 813M41-3             |                   | AUFKLEBER                 | USA - Evaporation 2017 Makita      | LABEL               |
| 1            | 296  |        |        | 1      |         |        |        | 808N31-5             |                   | AUFKLEBER                 | USA - Evaporation 2016 Makita      | LABEL               |
| 1            | 296  |        |        | 1      |         |        |        | 807B80-7             |                   | AUFKLEBER                 | USA - Evaporation 2015 Makita      | LABEL               |
| 1            | 297  | 1      | 1      | 1      | 1       | 1      | 1      | 395114040            |                   | STOPFEN                   | EU, USA, AU, NZ (regulated market) | PLUG                |
| 1            | 298  | 1      | 1      | 1      | 1       | 1      | 1      | 424709-4             |                   | FÜHRUNG                   | H / L (non regulated market)       | ADJUSTING GUIDE     |
| 1            | 299  | 1      | 1      | 1      | 1       | 1      | 1      | 806J47-0             |                   | AUFKLEBER                 | START                              | LABEL               |

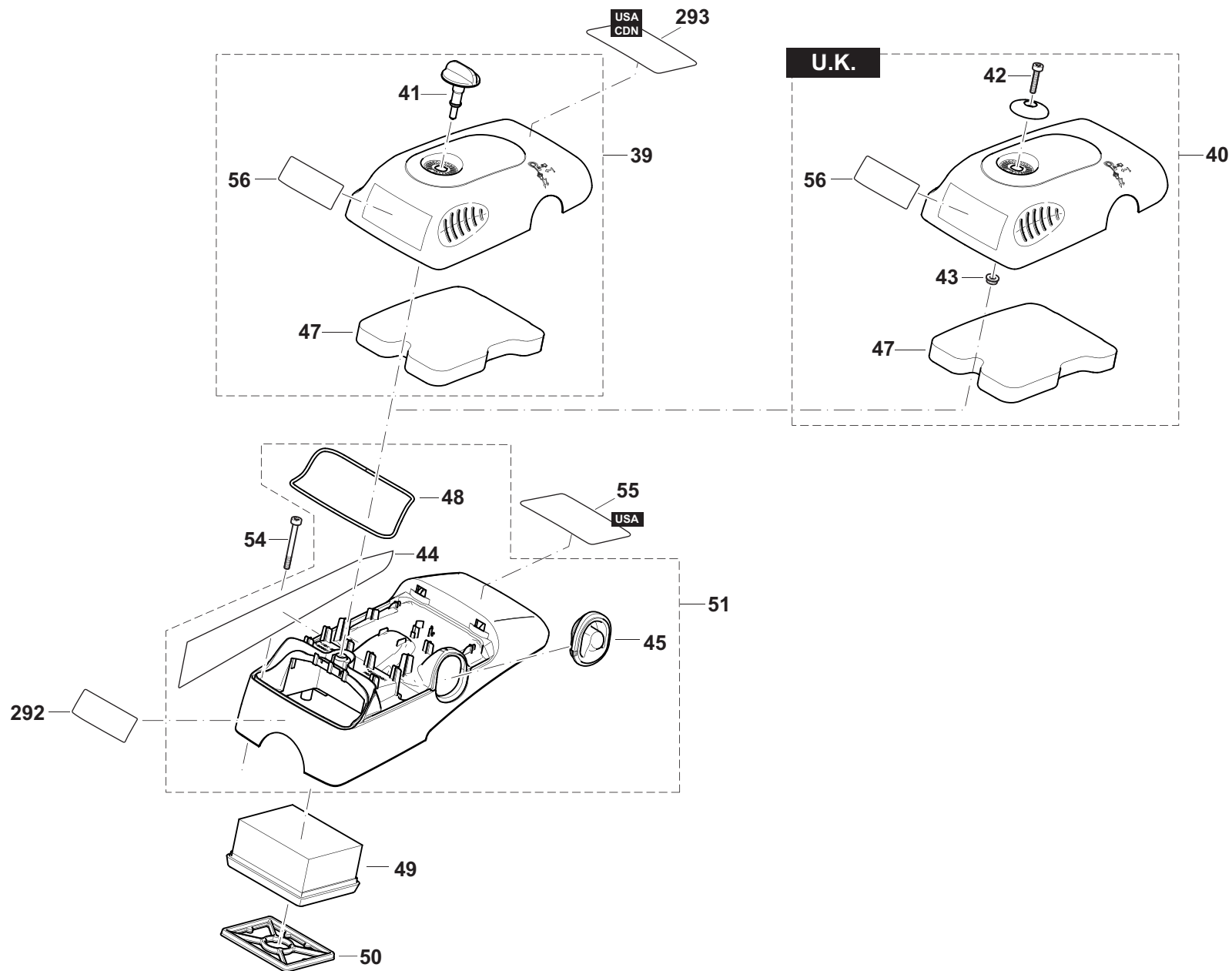
EK7300, EK7301, EK8100,  
PC-7412, PC7414, PC8216

**2**

Abdeckhaube, Luftfilter  
Hood, air filter

**Makita**

**DOLMAR**



EK7300, EK7301, EK8100,  
PC-7412, PC7414, PC8216

**2**

Abdeckhaube, Luftfilter  
Hood, air filter



| Seite / Page | Pos. | EK7300 | EK7301 | EK8100 | PC-7412 | PC7414 | PC8216 | Teil-Nr.<br>Part No. | Hinweise<br>Notes                | Bezeichnung                        | Spezifikation<br>Specification | Description             |
|--------------|------|--------|--------|--------|---------|--------|--------|----------------------|----------------------------------|------------------------------------|--------------------------------|-------------------------|
| 2            | 39   | 1      | 1      | 1      | 1       | 1      | 1      | 127087-8             | 2010 =>                          | LUFTFILTERDECKEL KPL. SCHWARZ      | INC. 41,47,56                  | AIR CLEANER COVER ASSY. |
| 2            | 39   | 1      | 1      | 1      | 1       | 1      | 1      | 127708-2             | RU 2020-09 =>                    | LUFTFILTERDECKEL KPL. SCHWARZ      | RU INC. 41,56                  | AIR CLEANER COVER ASSY. |
| 2            | 39   | 1      | 1      | 1      | 1       | 1      | 1      | 127709-0             | RU 2020-09 =>                    | LUFTFILTERDECKEL KPL. SCHWARZ      | RU INC. 41,47,56               | AIR CLEANER COVER ASSY. |
| 2            | 40   | 1      | 1      |        | 1       | 1      | 1      | 140X25-7             | RU 2020-09 =>                    | LUFTFILTERDECKEL KPL. SCHWARZ      | RU INC. 43,47,56               | FILTER COVER ASSY.      |
| 2            | 40   | 1      | 1      |        | 1       | 1      | 1      | 140X24-9             | RU 2020-09 =>                    | LUFTFILTERDECKEL KPL. SCHWARZ      | RU INC. 42,43,47,56            | FILTER COVER ASSY.      |
| 2            | 40   | 1      | 1      |        | 1       | 1      |        | 140F78-8             | U.K. 2010 =>                     | FILTERDECKEL KPL., SCHWARZ, GEÄTZT | UK INC. 42,43,47,56            | FILTER COVER ASSY.      |
| 2            | 41   | 1      | 1      | 1      | 1       | 1      | 1      | 395118010            |                                  | VERSCHLUßKNOPF                     |                                | FIXING BUTTON           |
| 2            | 42   | 1      | 1      |        | 1       | 1      |        | 395118131            | U.K.                             | SENKKOPFSCHRAUBE                   | M6x50                          | COUNTERSUNK SCREW       |
| 2            | 43   | 1      | 1      |        | 1       | 1      |        | 920406000            | U.K.                             | 6 KANT-MUTTER                      | M6                             | HEXAGONAL NUT           |
| 2            | 44   | 1      | 1      | 1      | 1       | 1      | 1      | 8022G9-7             | EU/RU: 2020-09 =>                | SICHERHEITSAUFKLEBER               |                                | SAFETY LABEL            |
| 2            | 44   | 1      | 1      | 1      | 1       | 1      | 1      | 806J50-1             | USA, CDN, MX (EU:<br>=> 2020-08) | SICHERHEITSAUFKLEBER               |                                | SAFETY LABEL            |
| 2            | 45   | 1      | 1      | 1      | 1       | 1      | 1      | 395118050            |                                  | GUMMITEIL                          | DEKO                           | RUBBER PART             |
| 2            | 47   | 1      | 1      | 1      | 1       | 1      | 1      | 424700-2             |                                  | VORFILTER                          |                                | PREFILTER               |
| 2            | 47   |        |        |        | 1       | 1      | 1      | 957173211            | ACC.                             | FILTERSET                          | 5+1 DOLMAR INC. 47,49          | FILTER-SET              |
| 2            | 47   | 1      | 1      | 1      |         |        |        | 197799-7             | ACC.                             | FILTERSET                          | 5+1 MAKITA INC. 47,49          | FILTER-SET              |
| 2            | 48   | 1      | 1      | 1      | 1       | 1      | 1      | 395118021            |                                  | DICHTSCHNUR                        |                                | PACKING RING            |
| 2            | 49   | 1      | 1      | 1      | 1       | 1      | 1      | 424701-0             |                                  | LUFTFILTEREINSATZ                  |                                | AIR FILTER              |
| 2            | 49   |        |        |        | 1       | 1      | 1      | 957173211            | ACC.                             | FILTERSET                          | 5+1 DOLMAR INC. 47,49          | FILTER-SET              |
| 2            | 49   | 1      | 1      | 1      |         |        |        | 197799-7             | ACC.                             | FILTERSET                          | 5+1 MAKITA INC. 47,49          | FILTER-SET              |
| 2            | 50   | 1      | 1      | 1      | 1       | 1      | 1      | 424705-2             |                                  | INNENFILTER                        |                                | INNER FILTER            |
| 2            | 51   | 1      | 1      | 1      | 1       | 1      | 1      | 395118085            | USA, CDN, MX (EU:<br>=> 2020-08) | ABDECKHAUBE KPL., SCHWARZ, GEÄTZT  | black, etched INC. 44,45,48    | HOOD CPL.               |
| 2            | 51   | 1      | 1      | 1      | 1       | 1      | 1      | 127707-4             | EU/RU: 2020-09 =>                | ABDECKHAUBE KPL., SCHWARZ, GEÄTZT  | black, etched INC. 44,45,48    | HOOD CPL.               |
| 2            | 54   | 4      | 4      | 4      | 4       | 4      | 4      | 908605505            |                                  | SCHRAUBE T                         | M5x50                          | H.L. SOCKET HEAD BOLD T |
| 2            | 55   | 1      |        |        |         |        |        | 980115559            |                                  | AUFKLEBER ABDECKHAUBE              | EK7300                         | LABEL                   |
| 2            | 55   |        | 1      |        |         |        |        | 806P03-6             |                                  | AUFKLEBER ABDECKHAUBE              | EK7301 (USA)                   | LABEL                   |
| 2            | 55   | 1      | 1      | 1      | 1       | 1      | 1      | 806P11-7             |                                  | SICHERHEITSAUFKLEBER               | CA                             | CAUTION LABEL           |
| 2            | 56   | 1      | 1      | 1      | 1       | 1      | 1      | 806J49-6             |                                  | SCHILD                             | 2-TAKT MIX (RUS)               | LABEL                   |
| 2            | 56   | 1      | 1      | 1      | 1       | 1      | 1      | 807L79-2             | 2016-03 =>                       | SCHILD                             | 2-TAKT MIX                     | LABEL                   |
| 2            | 56   | 1      | 1      | 1      | 1       | 1      | 1      | 980114999            | => 2016-02                       | SCHILD                             | 2-TAKT MIX                     | LABEL                   |
| 2            | 292  | 1      | 1      | 1      | 1       | 1      | 1      | 980115809            |                                  | SICHERHEITSAUFKLEBER               | USA WARNING SPARKS             | CAUTION LABEL           |
| 2            | 293  | 1      | 1      | 1      | 1       | 1      | 1      | 806P00-2             |                                  | STARTAUFKLEBER                     | USA                            | LABEL                   |
| 2            | 293  | 1      | 1      | 1      | 1       | 1      | 1      | 806P15-9             |                                  | STARTAUFKLEBER                     | CDN                            | LABEL                   |

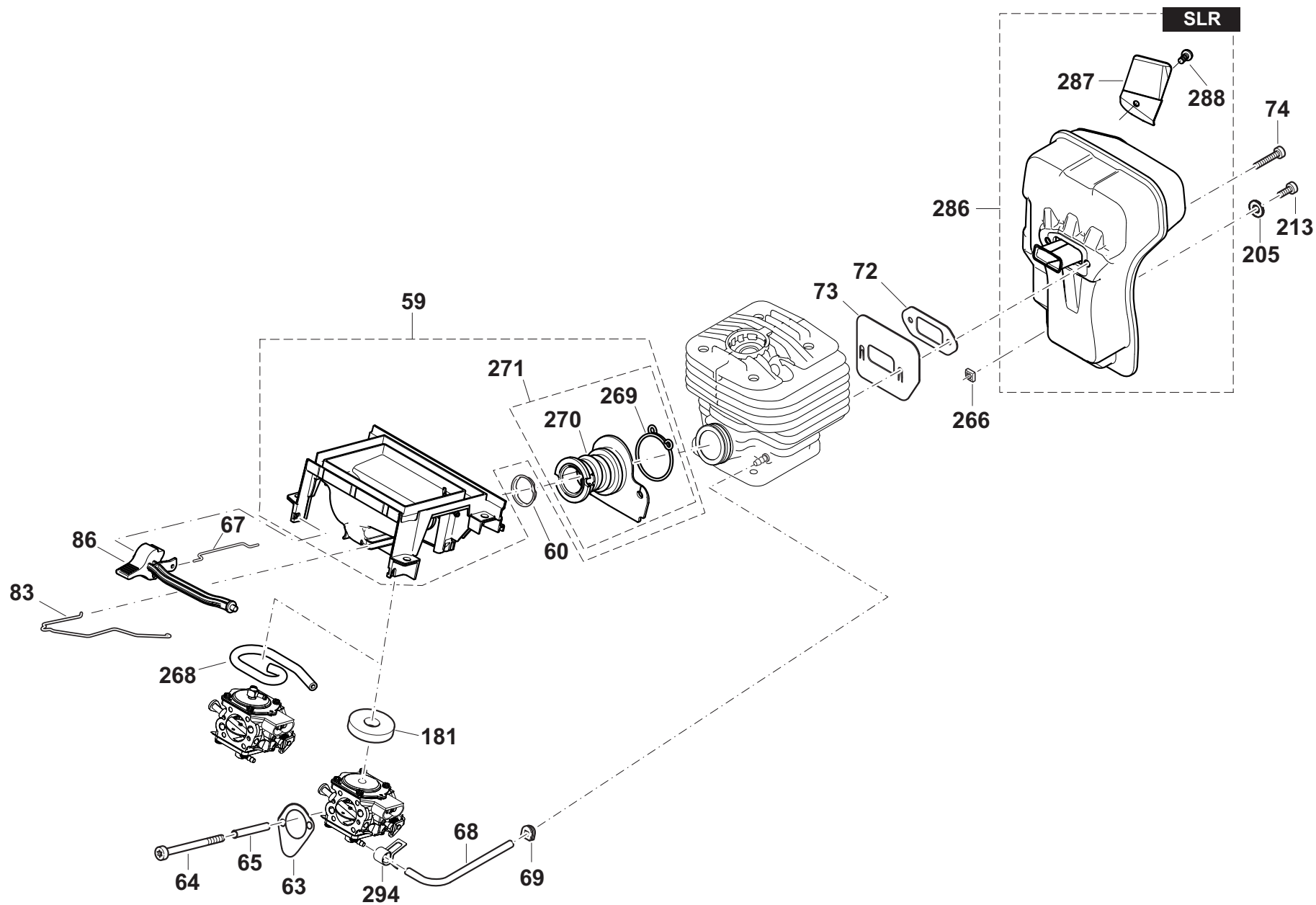
EK7300, EK7301, EK8100,  
PC-7412, PC7414, PC8216

**3**

Schalldämpfer, Ansaugkrümmer  
Muffler, connecting muff

**makita**

**DOLMAR**





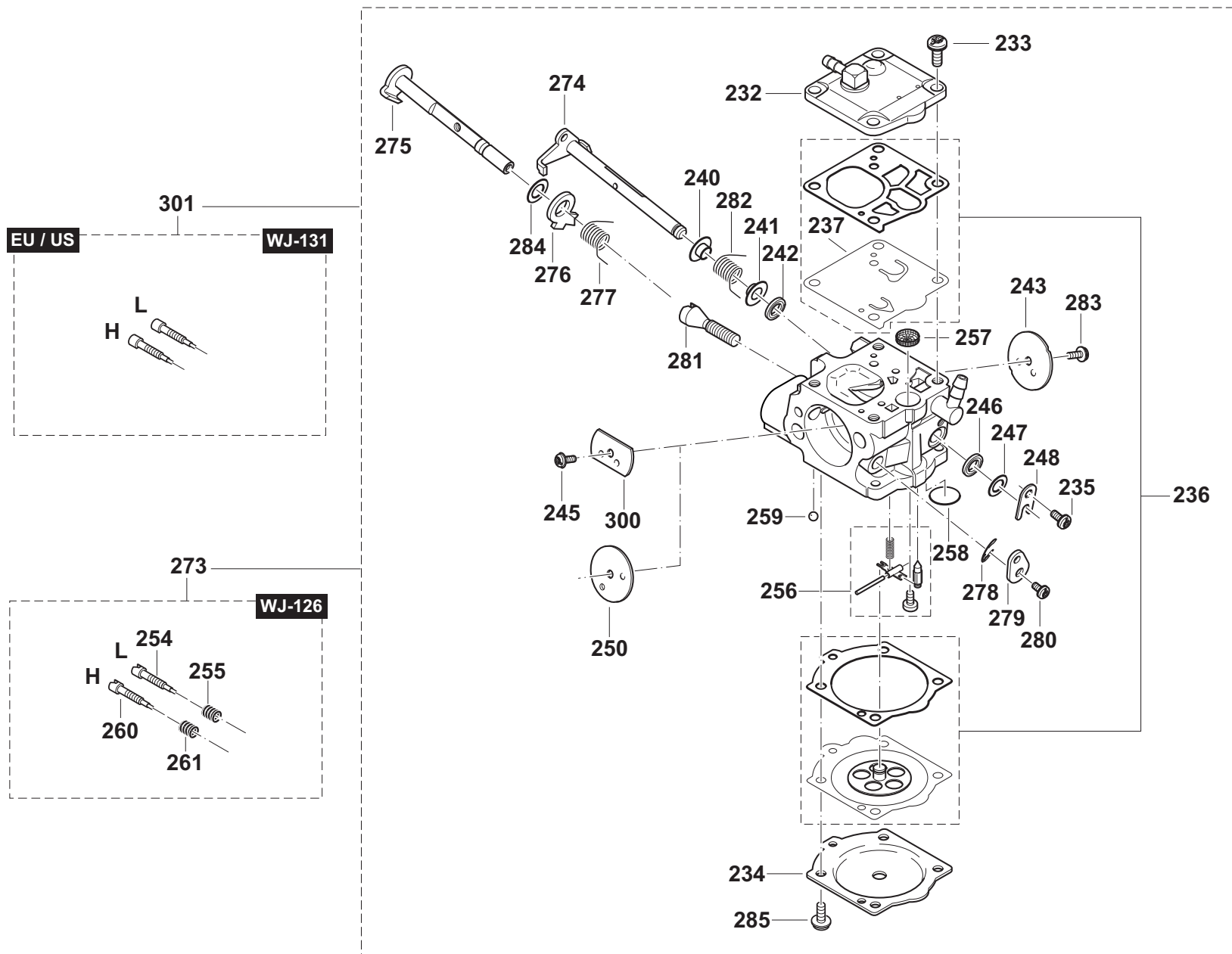
EK7300, EK7301, EK8100,  
PC-7412, PC7414, PC8216

**3**

Schalldämpfer, Ansaugkrümmer  
Muffler, connecting muff



| Seite / Page | Pos. | EK7300 | EK7301 | EK8100 | PC-7412 | PC7414 | PC8216 | Teil-Nr.<br>Part No. | Hinweise<br>Notes | Bezeichnung                         | Spezifikation<br>Specification | Description                      |
|--------------|------|--------|--------|--------|---------|--------|--------|----------------------|-------------------|-------------------------------------|--------------------------------|----------------------------------|
| 3            | 59   | 1      | 1      | 1      | 1       | 1      | 1      | 127098-3             | 2019-10 =>        | ANSAUGKRÜMMER KPL.                  | INC. 271                       | INTAKE MANIFOLD ASSEMBLY         |
| 3            | 59   | 1      | 1      | 1      | 1       | 1      | 1      | 395171072            | => 2019-09        | ANSAUGKRÜMMER KPL.                  | INC. 268,271                   | INTAKE MANIFOLD ASSEMBLY         |
| 3            | 59   | 1      | 1      | 1      | 1       | 1      | 1      | 395171033            | => 2019-09        | ANSAUGKRÜMMER KPL.                  | INC. 271                       | INTAKE MANIFOLD ASSEMBLY         |
| 3            | 60   | 1      | 1      | 1      | 1       | 1      | 1      | 346867-5             |                   | EINSATZ FÜR ANSAUGSCHLAUCH          |                                | GUIDE RING                       |
| 3            | 63   | 1      | 1      | 1      | 1       | 1      | 1      | 965518121            |                   | DICHTUNG                            |                                | GASKET                           |
| 3            | 64   | 2      | 2      | 2      | 2       | 2      | 2      | 266944-6             |                   | SCHRAUBE T                          | M4x55                          | H.L. SOCKET HEAD BOLT T          |
| 3            | 65   | 2      | 2      | 2      | 2       | 2      | 2      | 412601-6             | 2019-07 =>        | ISOLIERSCHLAUCH TRANSPARENT         | 4x15mm RoHs                    | INSULATING HOSE                  |
| 3            | 67   | 1      | 1      | 1      | 1       | 1      | 1      | 326496-0             |                   | CHOKESTANGE                         |                                | CHOKE SHAFT                      |
| 3            | 68   | m      | m      | m      | m       | m      | m      | 965452382            |                   | SCHLAUCH                            | 5,5x3 L=1000mm 120mm; 4 3/4"   | TUBE                             |
| 3            | 69   | 1      | 1      | 1      | 1       | 1      | 1      | 424696-7             |                   | GUMMITÜLLE                          |                                | RUBBER BUSH                      |
| 3            | 72   | 1      | 1      | 1      | 1       | 1      | 1      | 346876-4             |                   | DICHTUNG                            |                                | GASKET                           |
| 3            | 73   | 1      | 1      | 1      | 1       | 1      | 1      | 346868-3             |                   | ABSCHIRMBLECH                       |                                | COOLING PLATE                    |
| 3            | 74   | 2      | 2      | 2      | 2       | 2      | 2      | 266960-8             |                   | SCHRAUBE T                          | M5x20                          | H.L. SOCKET HEAD BOLD T          |
| 3            | 83   | 1      | 1      | 1      | 1       | 1      | 1      | 395117011            |                   | GASGESTÄNGE                         |                                | THROTTLE LINKAGE                 |
| 3            | 86   | 1      | 1      | 1      | 1       | 1      | 1      | 957395001            |                   | REP.-SATZ CHOKEWELLE / KONTAKTFEDER | INC. 84                        | KIT CHOKE SHAFT / CONTACT SPRING |
| 3            | 86   | 1      | 1      | 1      | 1       | 1      | 1      | 455808-1             |                   | CHOKEWELLE                          |                                | CHOKE LEVER                      |
| 3            | 181  | 1      | 1      | 1      | 1       | 1      | 1      | 965402970            | 2019-10 =>        | DICHTUNG                            |                                | GASKET                           |
| 3            | 205  | 1      | 1      | 1      | 1       | 1      | 1      | 267821-5             |                   | SPANNSCHEIBE                        | 5                              | SPRING WASHER                    |
| 3            | 213  | 1      | 1      | 1      | 1       | 1      | 1      | 266946-2             |                   | SCHRAUBE T                          | M5x12                          | H.L. SOCKET HEAD BOLT T          |
| 3            | 266  | 1      | 1      | 1      | 1       | 1      | 1      | 264108-6             |                   | 4 KANT-MUTTER                       | M5, SW10                       | SQUARE NUT                       |
| 3            | 268  | 1      | 1      | 1      | 1       | 1      | 1      | 395171025            | => 2019-09        | KOMPENSATIONSSCHLAUCH               | l=138mm, red/black             | TUBE                             |
| 3            | 269  | 1      | 1      | 1      | 1       | 1      | 1      | 038131070            |                   | FEDERSCHELLE                        |                                | HOSE CLIP                        |
| 3            | 270  | 1      | 1      | 1      | 1       | 1      | 1      | 424708-6             |                   | ANSAUGSCHLAUCH                      |                                | SUCTION HOSE                     |
| 3            | 271  | 1      | 1      | 1      | 1       | 1      | 1      | 394131210            |                   | ANSAUGSCHLAUCH                      | SET INC. 269,270               | SUCTION HOSE                     |
| 3            | 286  | 1      | 1      | 1      | 1       | 1      | 1      | 161338-9             |                   | SCHALLDÄMPFER                       | SLR INC. 287,288               | MUFFLER                          |
| 3            | 287  | 1      | 1      | 1      | 1       | 1      | 1      | 395174140            |                   | FUNKENSCHUTZSIEB                    | SLR                            | SPARK ARRESTER SCREEN            |
| 3            | 288  | 1      | 1      | 1      | 1       | 1      | 1      | 913242100            |                   | INNEN-6 KANT-SCHRAUBE               | 4x9,7                          | HEX. SOCKET HEAD BOLT            |
| 3            | 294  | 1      | 1      | 1      | 1       | 1      | 1      | 320324616            |                   | SCHLAUCHKLEMME                      |                                | HOSE CLAMP                       |



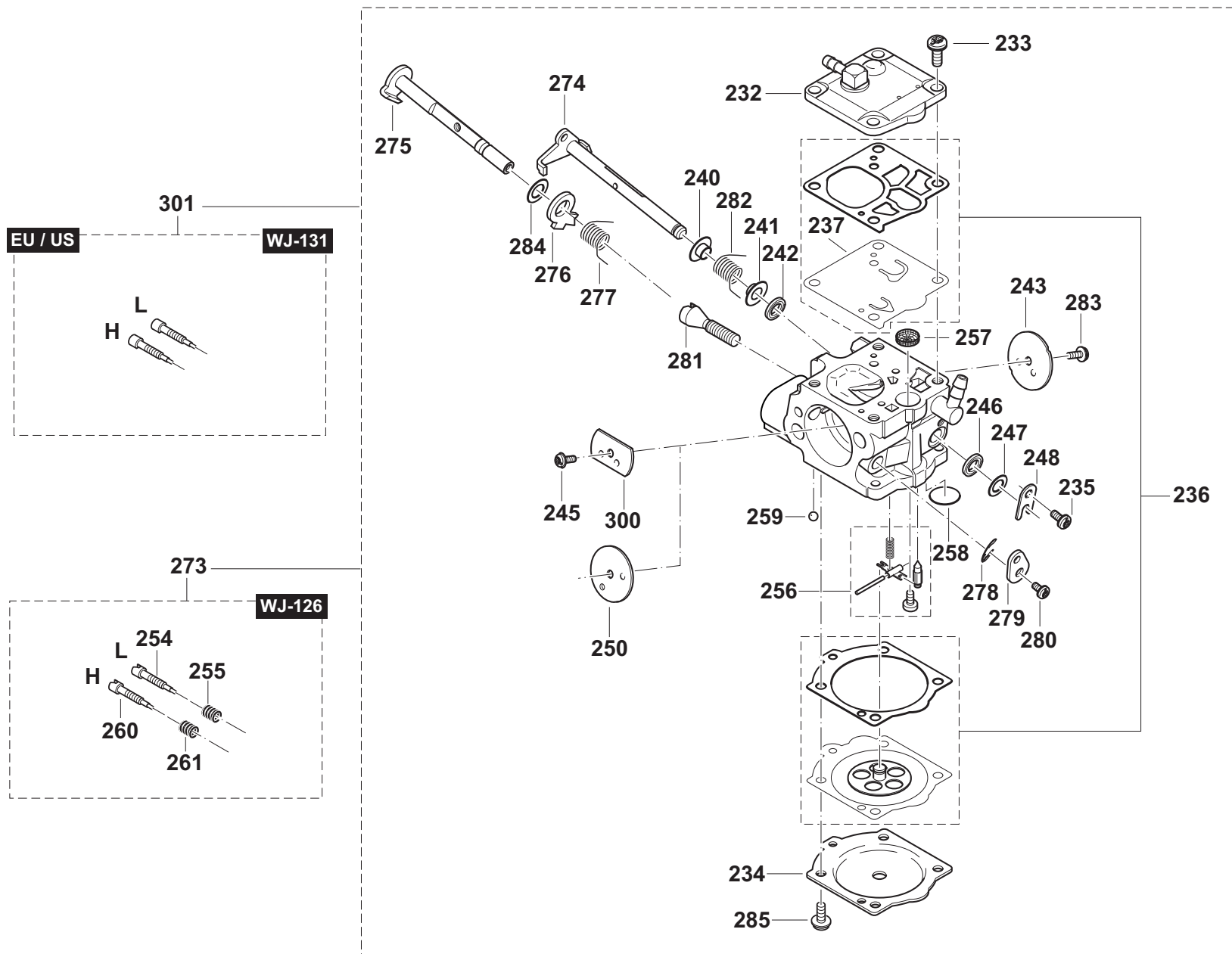
EK7300, EK7301, EK8100,  
PC-7412, PC7414, PC8216

4

Vergaser  
Carburetor



| Seite / Page | Pos. | EK7300 | EK7301 | EK8100 | PC-7412 | PC7414 | PC8216 | Teil-Nr.<br>Part No. | Hinweise<br>Notes | Bezeichnung               | Spezifikation<br>Specification   | Description             |
|--------------|------|--------|--------|--------|---------|--------|--------|----------------------|-------------------|---------------------------|--|-------------------------|
| 4            | 232  | 1      | 1      | 1      | 1       | 1      | 1      | 394151160            |                   | PUMPENDECKEL KPL.         |  | PUMP COVER CPL.         |
| 4            | 233  | 4      | 4      | 4      | 4       | 4      | 4      | 144150170            |                   | SCHRAUBE                  |  | SCREW                   |
| 4            | 234  | 1      | 1      | 1      | 1       | 1      | 1      | 395151120            | => 2019-09        | MEMBRANDECKEL             |  | DIAPHRAGM COVER         |
| 4            | 234  | 1      | 1      | 1      | 1       | 1      | 1      | 394151120            | 2019-10 =>        | MEMBRANDECKEL             |  | DIAPHRAGM COVER         |
| 4            | 235  | 1      | 1      | 1      | 1       | 1      | 1      | 378151220            |                   | SCHRAUBE                  |  | SCREW                   |
| 4            | 236  | 1      | 1      | 1      | 1       | 1      | 1      | 957151180            |                   | MEMBRANSATZ               | INC. 237   | SET DIAPHRAGM / GASKETS |
| 4            | 237  | 1      | 1      | 1      | 1       | 1      | 1      | 394151150            |                   | PUMPENMEMBRAN, GUMMI      |  | PUMP DIAPHRAGM          |
| 4            | 240  | 1      | 1      | 1      | 1       | 1      | 1      | 394151315            |                   | BUCHSE                    |  | BUSHING                 |
| 4            | 241  | 1      | 1      | 1      | 1       | 1      | 1      | 394151315            |                   | BUCHSE                    |  | BUSHING                 |
| 4            | 242  | 1      | 1      | 1      | 1       | 1      | 1      | 394151330            |                   | DICHTRING                 |  | PACKING RING            |
| 4            | 243  | 1      | 1      | 1      | 1       | 1      | 1      | 394151320            |                   | DROSSELKLAPPE             |  | THROTTLE SHUTTER        |
| 4            | 245  | 1      | 1      | 1      | 1       | 1      | 1      | 394151660            |                   | SCHRAUBE                  |  | SCREW                   |
| 4            | 246  | 1      | 1      | 1      | 1       | 1      | 1      | 394151330            |                   | DICHTRING                 |  | PACKING RING            |
| 4            | 247  | 1      | 1      | 1      | 1       | 1      | 1      | 394151400            |                   | SCHEIBE                   |  | DISC                    |
| 4            | 248  | 1      | 1      | 1      | 1       | 1      | 1      | 108151350            |                   | WELLENSICHERUNG           |  | SHAFT CLIP              |
| 4            | 250  | 1      | 1      | 1      | 1       | 1      | 1      | 395151260            | => 2013-12        | CHOKEKLAPPE               |  | CHOKE SHUTTER           |
| 4            | 254  | 1      | 1      | 1      | 1       | 1      | 1      | 394151470            |                   | LEERLAUF-STELLSCHRAUBE    | L  | IDLE ADJUSTMENT SCREW   |
| 4            | 255  | 1      | 1      | 1      | 1       | 1      | 1      | 021151480            |                   | FEDER                     | L  | SPRING                  |
| 4            | 256  | 1      | 1      | 1      | 1       | 1      | 1      | 957151191            |                   | SATZ STEUERTEILE          |  | CONTROL PARTS           |
| 4            | 257  | 1      | 1      | 1      | 1       | 1      | 1      | 021151180            |                   | SIEB                      |  | SCREEN                  |
| 4            | 258  | 1      | 1      | 1      | 1       | 1      | 1      | 394151040            |                   | VERSCHLUßSCHEIBE          |  | COVER DISC              |
| 4            | 259  | 1      | 1      | 1      | 1       | 1      | 1      | 394151510            |                   | SICHERUNGSEINSATZ         |  | LOCKING BALL            |
| 4            | 260  | 1      | 1      | 1      | 1       | 1      | 1      | 001151450            |                   | VOLLGAS-STELLSCHRAUBE     | H  | MAIN ADJUSTM. SCREW     |
| 4            | 261  | 1      | 1      | 1      | 1       | 1      | 1      | 021151480            |                   | FEDER                     | L  | SPRING                  |
| 4            | 273  | 1      | 1      | 1      | 1       | 1      | 1      | 161312-7             | => 2019-09        | VERGASER                  | WJ-126C (non regulated market) INC.<br>232-236,240-243,245-248,254-261,274-285,300 | CARBURETOR              |
| 4            | 273  | 1      | 1      | 1      | 1       | 1      | 1      | 162533-4             | 2019-10 =>        | VERGASER                  | WJ-126D (non regulated market) INC.<br>232-236,240-243,245-248,254-261,274-285,300 | CARBURETOR              |
| 4            | 274  | 1      | 1      | 1      | 1       | 1      | 1      | 395151130            |                   | DROSSELKLAPPENWELLE       |  | THROTTLE SHAFT          |
| 4            | 275  | 1      | 1      | 1      | 1       | 1      | 1      | 395151170            |                   | CHOKEWELLE                |  | CHOKE SHAFT             |
| 4            | 276  | 1      | 1      | 1      | 1       | 1      | 1      | 395151110            |                   | HALBGASHEBEL              |  | FAST IDLE LEVER         |
| 4            | 277  | 1      | 1      | 1      | 1       | 1      | 1      | 395151190            |                   | DREHFEDER                 |  | TORSION SPRING          |
| 4            | 278  | 1      | 1      | 1      | 1       | 1      | 1      | 119151350            |                   | WELLENSICHERUNG           |  | SHAFT CLIP              |
| 4            | 279  | 1      | 1      | 1      | 1       | 1      | 1      | 395151180            |                   | CHOKEHEBEL                |  | CHOKE LEVER             |
| 4            | 280  | 1      | 1      | 1      | 1       | 1      | 1      | 394151660            |                   | SCHRAUBE                  |  | SCREW                   |
| 4            | 281  | 1      | 1      | 1      | 1       | 1      | 1      | 395151140            |                   | LEERLAUF-ANSCHLAGSCHRAUBE | S  | IDLE STOP SCREW         |
| 4            | 282  | 1      | 1      | 1      | 1       | 1      | 1      | 395151150            |                   | DREHFEDER                 |  | TORSION SPRING          |
| 4            | 283  | 1      | 1      | 1      | 1       | 1      | 1      | 394151660            |                   | SCHRAUBE                  |  | SCREW                   |
| 4            | 284  | 1      | 1      | 1      | 1       | 1      | 1      | 170151290            |                   | SCHEIBE                   |  | WASHER                  |
| 4            | 285  | 4      | 4      | 4      | 4       | 4      | 4      | 378151220            |                   | SCHRAUBE                  |  | SCREW                   |
| 4            | 300  | 1      | 1      | 1      | 1       | 1      | 1      | 395151265            | 2014-01 =>        | CHOKEKLAPPE               |  | CHOKE SHUTTER           |



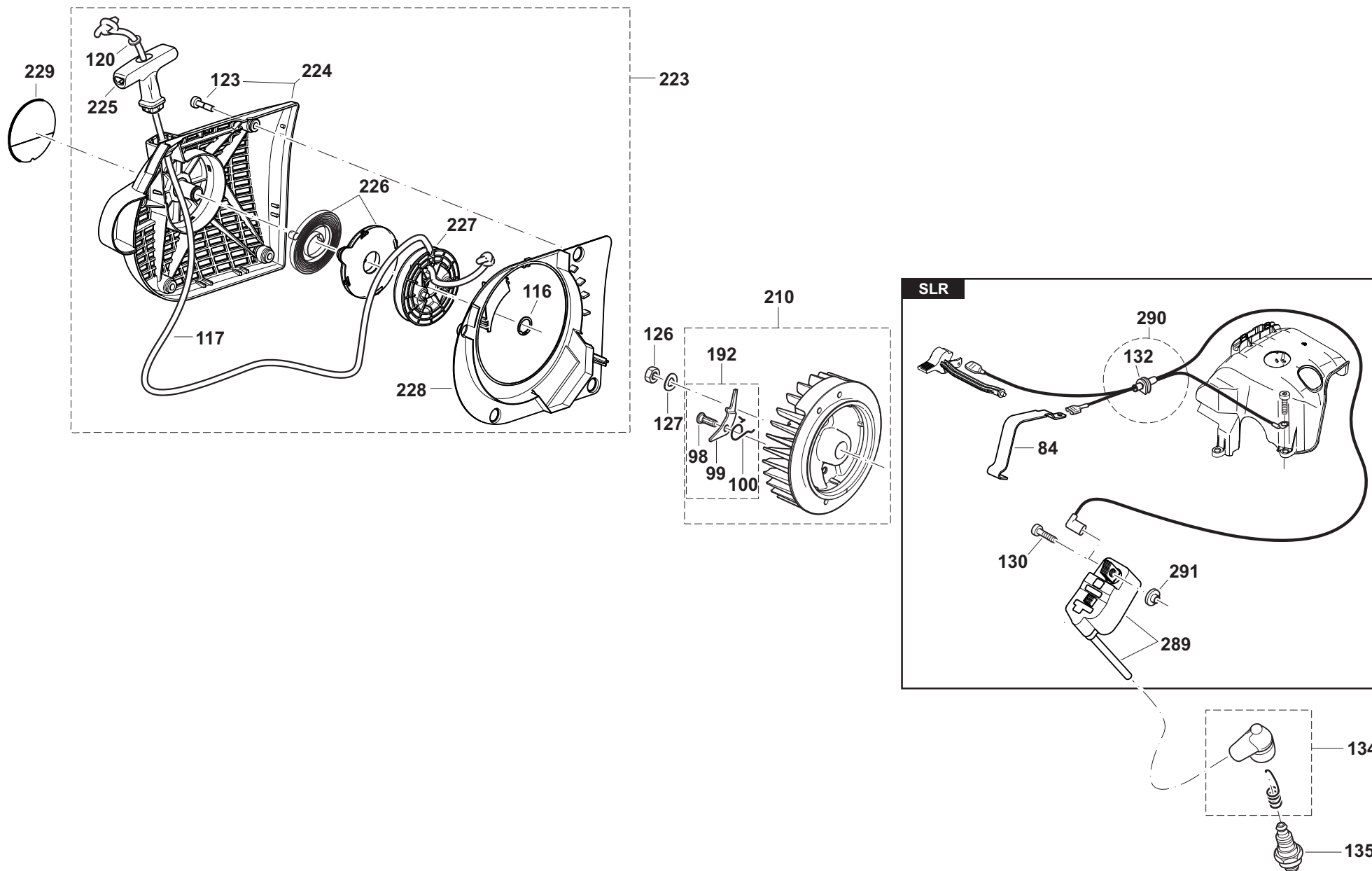
EK7300, EK7301, EK8100,  
PC-7412, PC7414, PC8216

**4**

Vergaser  
Carburetor



| Seite / Page | Pos. | EK7300 | EK7301 | EK8100 | PC-7412 | PC7414 | PC8216 | Teil-Nr.<br>Part No. | Hinweise<br>Notes | Bezeichnung | Spezifikation<br>Specification  | Description |
|--------------|------|--------|--------|--------|---------|--------|--------|----------------------|-------------------|-------------|---|-------------|
| 4            | 301  | 1      | 1      | 1      | 1       | 1      | 1      | 161315-1             | => 2019-09        | VERGASER    | WJ-131A, D (EU, USA - regulated market) INC.<br>232-236,240-243,245-248,256-259,274-285,300 | CARBURETOR  |
| 4            | 301  | 1      | 1      | 1      | 1       | 1      | 1      | 162532-6             | 2019-10 =>        | VERGASER    | WJ-131B (EU, USA - regulated market) INC.<br>232-236,240-243,245-248,256-259,274-285,300    | CARBURETOR  |



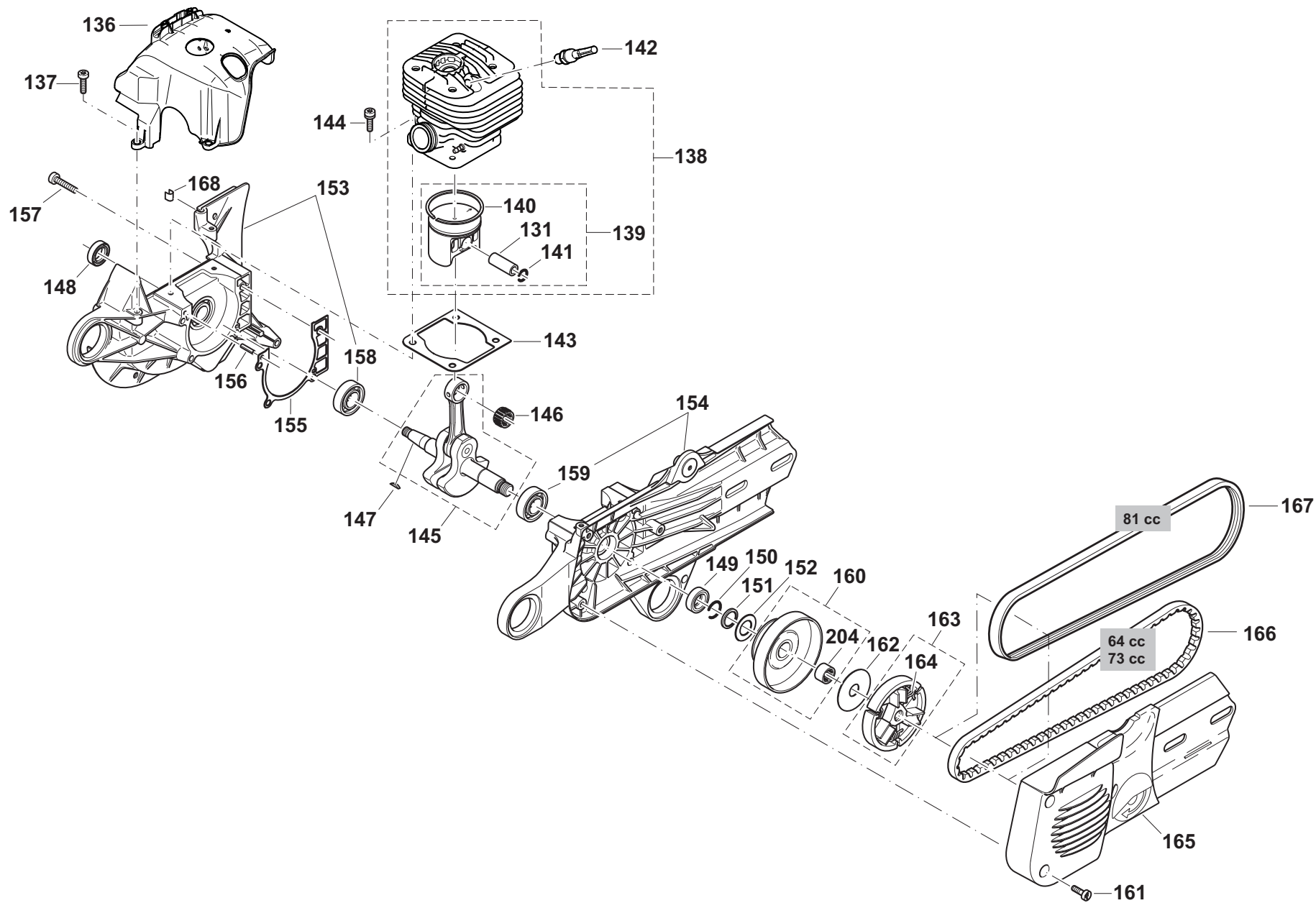
EK7300, EK7301, EK8100,  
PC-7412, PC7414, PC8216

**5**

Anwerfvorrichtung, Magnetzünd-  
Starter assy., ignition assy.



| Seite / Page | Pos. | EK7300 | EK7301 | EK8100 | PC-7412 | PC7414 | PC8216 | Teil-Nr.<br>Part No. | Hinweise<br>Notes | Bezeichnung                         | Spezifikation<br>Specification                 | Description                      |
|--------------|------|--------|--------|--------|---------|--------|--------|----------------------|-------------------|-------------------------------------|--|----------------------------------|
| 5            | 84   | 1      | 1      | 1      | 1       | 1      | 1      | 957395001            |                   | REP.-SATZ CHOKEWELLE / KONTAKTFEDER | INC. 86  | KIT CHOKE SHAFT / CONTACT SPRING |
| 5            | 84   | 1      | 1      | 1      | 1       | 1      | 1      | 346869-1             |                   | KONTAKTFEDER                        |  | CONTACT SPRING                   |
| 5            | 98   | 2      | 2      | 2      | 2       | 2      | 2      | 327728-8             |                   | LAGERBOLZEN MIT ÜBERMAß             |  | BEARING BOLT                     |
| 5            | 99   | 2      | 2      | 2      | 2       | 2      | 2      | 119166023            |                   | ANWERFKLINKE                        |  | STARTER RATCHET                  |
| 5            | 100  | 2      | 2      | 2      | 2       | 2      | 2      | 122166020            |                   | SPIRALFEDER                         | ø 12,8   | TORSION SPRING                   |
| 5            | 116  | 1      | 1      | 1      | 1       | 1      | 1      | 929314100            |                   | SICHERUNGSRING                      |  | SNAP RING                        |
| 5            | 117  | 1      | 1      | 1      | 1       | 1      | 1      | 394164020            |                   | ANWERFSEIL SCHWARZ                  | ø4 x 1000mm                                    | STARTER ROPE BLACK               |
| 5            | 117  | 1      | 1      | 1      | 1       | 1      | 1      | 422655-5             |                   | ANWERFSEIL SCHWARZ                  | ø4 x 1000mm                                    | STARTER ROPE                     |
| 5            | 117  | 1      | 1      | 1      |         |        |        | 122164010            |                   | ANWERFSEIL                          | ø4 x 1000mm                                    | STARTER ROPE                     |
| 5            | 120  | 1      | 1      | 1      | 1       | 1      | 1      | 267821-5             |                   | SPANNSCHEIBE                        | 5  | SPRING WASHER                    |
| 5            | 123  | 4      | 4      | 4      | 4       | 4      | 4      | 266942-0             |                   | SCHRAUBE T                          | M5x20  | H.L. SOCKET HEAD BOLT T          |
| 5            | 126  | 1      | 1      | 1      | 1       | 1      | 1      | 920208024            |                   | 6 KANT-MUTTER                       | M8x1   | HEXAGONAL NUT                    |
| 5            | 127  | 1      | 1      | 1      | 1       | 1      | 1      | 926208001            |                   | FEDERSCHEIBE                        | B8   | SPRING WASHER                    |
| 5            | 130  | 2      | 2      | 2      | 2       | 2      | 2      | 266942-0             |                   | SCHRAUBE T                          | M5x20  | H.L. SOCKET HEAD BOLT T          |
| 5            | 132  | 1      | 1      | 1      | 1       | 1      | 1      | 424696-7             |                   | GUMMITÜLLE                          |  | RUBBER BUSH                      |
| 5            | 134  | 1      | 1      | 1      | 1       | 1      | 1      | 234358-7             |                   | FEDER                               |  | TERMINAL SPRING                  |
| 5            | 134  | 1      | 1      | 1      | 1       | 1      | 1      | 957604260            |                   | ZÜNDKERZENSTECKER KPL.              |  | SPARK PLUG CAP CPL.              |
| 5            | 135  | 1      | 1      | 1      | 1       | 1      | 1      | 168517-0             |                   | ZÜNDKERZE                           | BPMR7A   | SPARK PLUG                       |
| 5            | 192  | 2      | 2      | 2      | 2       | 2      | 2      | 031166010            |                   | ANWERFKLINKEN-SET                   |  | STARTER-RATCHET SET              |
| 5            | 210  | 1      | 1      | 1      | 1       | 1      | 1      | 394141090            |                   | POLRAD KPL.                         | INC. 125                                       | FLYWHEEL ASSY.                   |
| 5            | 223  |        |        |        | 1       | 1      | 1      | 123318-3             | 2010 =>           | ANWERFVORRICHTUNG KPL. ROT          | red, highly polished INC. 116,117,120,224-228  | STARTER ASSY.                    |
| 5            | 223  | 1      | 1      | 1      |         |        |        | 123357-3             | 2010 =>           | ANWERFVORRICHTUNG KPL. BLAU         | blue, highly polished INC. 116,117,120,224-228 | STARTER ASSY. BLUE               |
| 5            | 224  |        |        |        | 1       | 1      | 1      | 395160110            | 2010 =>           | STARTERGEHÄUSE, ROT                 | red, highly polished INC. 123                  | HOUSING                          |
| 5            | 224  | 1      | 1      | 1      |         |        |        | 395160630            | 2010 =>           | STARTERGEHÄUSE, BLAU                | blue, highly polished INC. 123                 | HOUSING                          |
| 5            | 225  | 1      | 1      | 1      | 1       | 1      | 1      | 452458-3             |                   | ANWERFGRIFF                         |  | STARTER KNOB                     |
| 5            | 226  | 1      | 1      | 1      | 1       | 1      | 1      | 140587-1             |                   | RÜCKHOLFEDER IM GEHÄUSE             |  | REWIND SPRING IN HOUSING         |
| 5            | 227  | 1      | 1      | 1      | 1       | 1      | 1      | 395162020            |                   | SEILTROMMEL KPL.                    |  | CABLE DRUM CPL.                  |
| 5            | 228  | 1      | 1      | 1      | 1       | 1      | 1      | 395118170            |                   | LUFTFÜHRUNG                         |  | AIR GUIDE PLATE                  |
| 5            | 229  |        |        |        | 1       | 1      | 1      | 806P13-3             |                   | SCHILD                              | DOLMAR   | LABEL                            |
| 5            | 229  | 1      | 1      | 1      |         |        |        | 806K78-5             |                   | SCHILD                              | MAKITA   | LABEL                            |
| 5            | 289  | 1      | 1      | 1      | 1       | 1      | 1      | 161310-1             |                   | MAGNETZÜNDER                        |  | IGNITION COIL                    |
| 5            | 290  | 1      | 1      | 1      | 1       | 1      | 1      | 965605514            |                   | KABEL MIT STECKER                   | INC. 132                                       | CABLE WITH PLUG                  |
| 5            | 291  | 2      | 2      | 2      | 2       | 2      | 2      | 451462-9             |                   | ISOLIERSCHEIBE                      |  | ISOLATING WASHER                 |





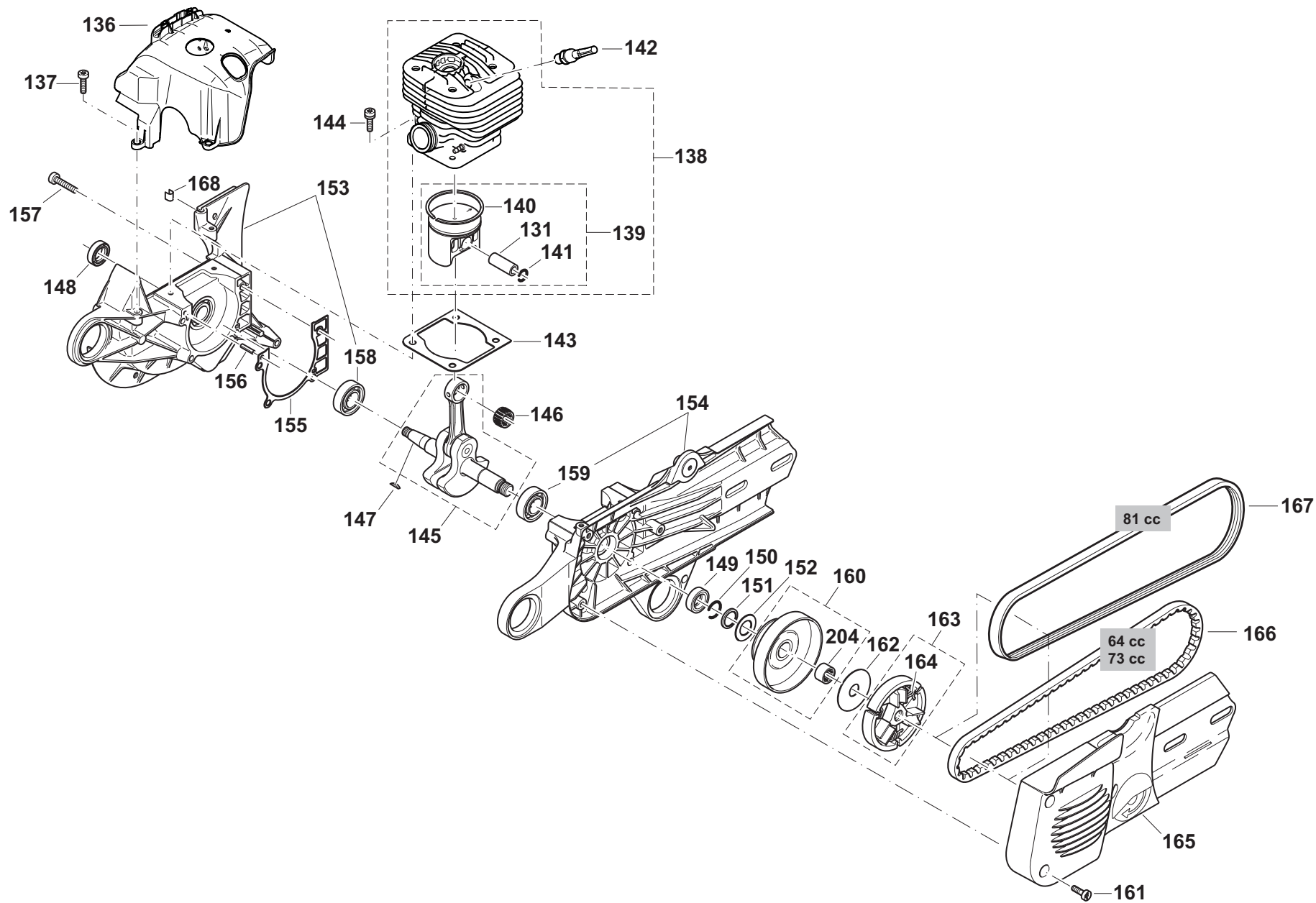
EK7300, EK7301, EK8100,  
PC-7412, PC7414, PC8216

6

Zylinder, Kurbeltrieb, Kupplung  
Cylinder, crankshaft, clutch



| Seite / Page | Pos. | EK7300 | EK7301 | EK8100 | PC-7412 | PC7414 | PC8216 | Teil-Nr.<br>Part No. | Hinweise<br>Notes | Bezeichnung                      | Spezifikation<br>Specification | Description             |
|--------------|------|--------|--------|--------|---------|--------|--------|----------------------|-------------------|----------------------------------|--------------------------------|-------------------------|
| 6            | 131  | 1      | 1      |        | 1       | 1      |        | 119132030            |                   | KOLBENBOLZEN                     | 12x30                          | PISTON PIN              |
| 6            | 131  |        |        | 1      |         |        | 1      | 257841-7             |                   | KOLBENBOLZEN                     | 12x32                          | PISTON PIN              |
| 6            | 136  | 1      | 1      | 1      | 1       | 1      | 1      | 395131041            |                   | KÜHLLUFTHAUBE                    |                                | COOLING HOOD            |
| 6            | 137  | 3      | 3      | 3      | 3       | 3      | 3      | 266940-4             |                   | SCHRAUBE                         | M5x15                          | BOLT                    |
| 6            | 138  | 1      | 1      |        | 1       | 1      |        | 183H02-0             |                   | ZYLINDER & KOLBEN KPL.           | D50 HeadDeco, SLR INC. 139     | CYLINDER / PISTON CPL.  |
| 6            | 138  |        |        | 1      |         |        | 1      | 135794-9             |                   | ZYLINDER / KOLBEN KPL.           | D52 HeadDeco, SLR INC. 139     | CYLINDER / PISTON CPL.  |
| 6            | 139  | 1      | 1      |        | 1       | 1      |        | 395132051            | => 2019-10        | KOLBEN KPL.                      | D50 INC. 131,140,141(1x)       | PISTON SET              |
| 6            | 139  | 1      | 1      |        | 1       | 1      |        | 198663-5             | 2019-11 =>        | KOLBEN KPL.                      | D50 INC. 131,140,141(2x)       | PISTON SET              |
| 6            | 139  |        |        | 1      |         |        | 1      | 328132100            |                   | KOLBEN KPL.                      | D52 INC. 131,140,141           | PISTON SET              |
| 6            | 140  | 1      | 1      |        | 1       | 1      |        | 394132020            |                   | KOLBENRING                       | D50                            | PISTON RING             |
| 6            | 140  |        |        | 1      |         |        | 1      | 257381-5             |                   | KOLBENRING                       | D52                            | PISTON RING             |
| 6            | 141  | 2      | 2      | 2      | 2       | 2      | 2      | 234359-5             | 2017 =>           | SPRENGRING                       | D12                            | CIRCLIP                 |
| 6            | 141  | 2      | 2      |        | 2       | 2      |        | 119132060            | => 2016           | SPRENGRING                       | C12X1                          | SPRING RING             |
| 6            | 142  | 1      | 1      | 1      | 1       | 1      | 1      | 455804-9             |                   | DEKOMPRESSIVVENTIL               | HeadDeco                       | VALVE                   |
| 6            | 143  | 1      | 1      | 1      | 1       | 1      | 1      | 346873-0             |                   | ZYLINDERFUßDICHTUNG, METALL      |                                | GASKET, METAL           |
| 6            | 144  | 4      | 4      | 4      | 4       | 4      | 4      | 266473-9             |                   | KOMBI-SCHRAUBE T                 | M5x23                          | H.L. SOCKET HEAD BOLT T |
| 6            | 145  | 1      | 1      |        | 1       | 1      |        | 143107-0             |                   | KURBELWELLE KPL.                 | SLR                            | CRANKSHAFT ASS'Y        |
| 6            | 145  |        |        | 1      |         |        | 1      | 143109-6             |                   | KURBELWELLE KPL.                 | SLR                            | CRANKSHAFT CPL.         |
| 6            | 146  | 1      | 1      | 1      | 1       | 1      | 1      | 212133-1             |                   | NADELKÄFIG                       | 12x16x13                       | NEEDLE CAGE             |
| 6            | 147  | 1      | 1      | 1      | 1       | 1      | 1      | 939630370            |                   | SCHEIBENFEDER                    |                                | KEY                     |
| 6            | 148  | 1      | 1      | 1      | 1       | 1      | 1      | 213814-0             |                   | RADIALDICHTRING                  | ø15/24x7                       | RADIAL RING             |
| 6            | 149  | 1      | 1      | 1      | 1       | 1      | 1      | 213814-0             |                   | RADIALDICHTRING                  | ø15/24x7                       | RADIAL RING             |
| 6            | 150  | 1      | 1      | 1      | 1       | 1      | 1      | 234366-8             |                   | SPRENGRING                       |                                | SPRING RING             |
| 6            | 151  | 1      | 1      | 1      | 1       | 1      | 1      | 346872-2             |                   | ANSCHLAGRING, GEHÄRTET, VERZINKT |                                | STOP RING               |
| 6            | 152  | 1      | 1      | 1      | 1       | 1      | 1      | 394182020            |                   | FÜHRUNGSSCHEIBE                  |                                | GUIDE DISC              |
| 6            | 153  | 1      | 1      | 1      | 1       | 1      | 1      | 395111110            |                   | KURBELGEHÄUSE KPL. MS, SCHWARZ   | INC. 158,205,213,266           | CRANKC., MAG. SIDE      |
| 6            | 153  | 1      | 1      | 1      | 1       | 1      | 1      | 143226-2             | 2020 =>           | KURBELGEHÄUSE KPL. MS, SCHWARZ   | INC. 158                       | CRANKC., MAG. SIDE      |
| 6            | 154  | 1      | 1      | 1      | 1       | 1      | 1      | 183K29-8             |                   | KURBELGEHÄUSE KPL. KS, SCHWARZ   | INC. 159                       | CRANKC., CLUTCH SIDE    |
| 6            | 155  | 1      | 1      | 1      | 1       | 1      | 1      | 965531111            |                   | KURBELGEHÄUSEDICHTUNG            |                                | GASKET                  |
| 6            | 156  | 2      | 2      | 2      | 2       | 2      | 2      | 258038-1             |                   | SPIRALSPANNSTIFT                 | 3x16                           | CLAMPING PIN            |
| 6            | 157  | 5      | 5      | 5      | 5       | 5      | 5      | 266945-4             |                   | SCHRAUBE T                       | M5x30                          | H.L. SOCKET HEAD BOLD T |
| 6            | 158  | 1      | 1      | 1      | 1       | 1      | 1      | 211154-0             |                   | KUGELLAGER (EINKLEBEN)           | 6202                           | BALL BEARING (USE GLUE) |
| 6            | 159  | 1      | 1      | 1      | 1       | 1      | 1      | 211154-0             |                   | KUGELLAGER (EINKLEBEN)           | 6202                           | BALL BEARING (USE GLUE) |
| 6            | 160  | 1      | 1      |        | 1       | 1      |        | 161317-7             |                   | KUPPLUNGSTROMMEL KPL.            | INC. 204                       | CLUTCH DRUM CPL.        |
| 6            | 160  |        |        | 1      |         |        | 1      | 161318-5             |                   | KUPPLUNGSTROMMEL KPL.            | ø400mm-80m INC. 204            | CLUTCH DRUM CPL.        |
| 6            | 161  | 3      | 3      | 3      | 3       | 3      | 3      | 266947-0             |                   | SCHRAUBE T                       | M5x14                          | H.L. SOCKET HEAD BOLT T |
| 6            | 162  | 1      | 1      | 1      | 1       | 1      | 1      | 267389-1             |                   | FÜHRUNGSSCHEIBE                  | 44,5x12x1                      | FLAT WASHER             |
| 6            | 163  | 1      | 1      | 1      | 1       | 1      | 1      | 123305-2             |                   | KUPPLUNG KPL.                    | INC. 164                       | CLUTCH ASSY.            |
| 6            | 164  | 3      | 3      | 3      | 3       | 3      | 3      | 232352-3             |                   | ZUGFEDER                         | 6                              | TENSION SPRING          |
| 6            | 165  |        |        |        | 1       | 1      | 1      | 455834-0             |                   | ABDECKUNG MIT SCHLITZEN, ROT     | red, highly polished           | COVER                   |
| 6            | 165  | 1      | 1      | 1      |         |        |        | 395213670            | 2010 =>           | ABDECKUNG MIT SCHLITZEN, BLAU    | blue, highly polished          | COVER                   |
| 6            | 166  | 1      | 1      |        | 1       | 1      |        | 424712-5             |                   | KEILRIEMEN                       |                                | V-BELT                  |



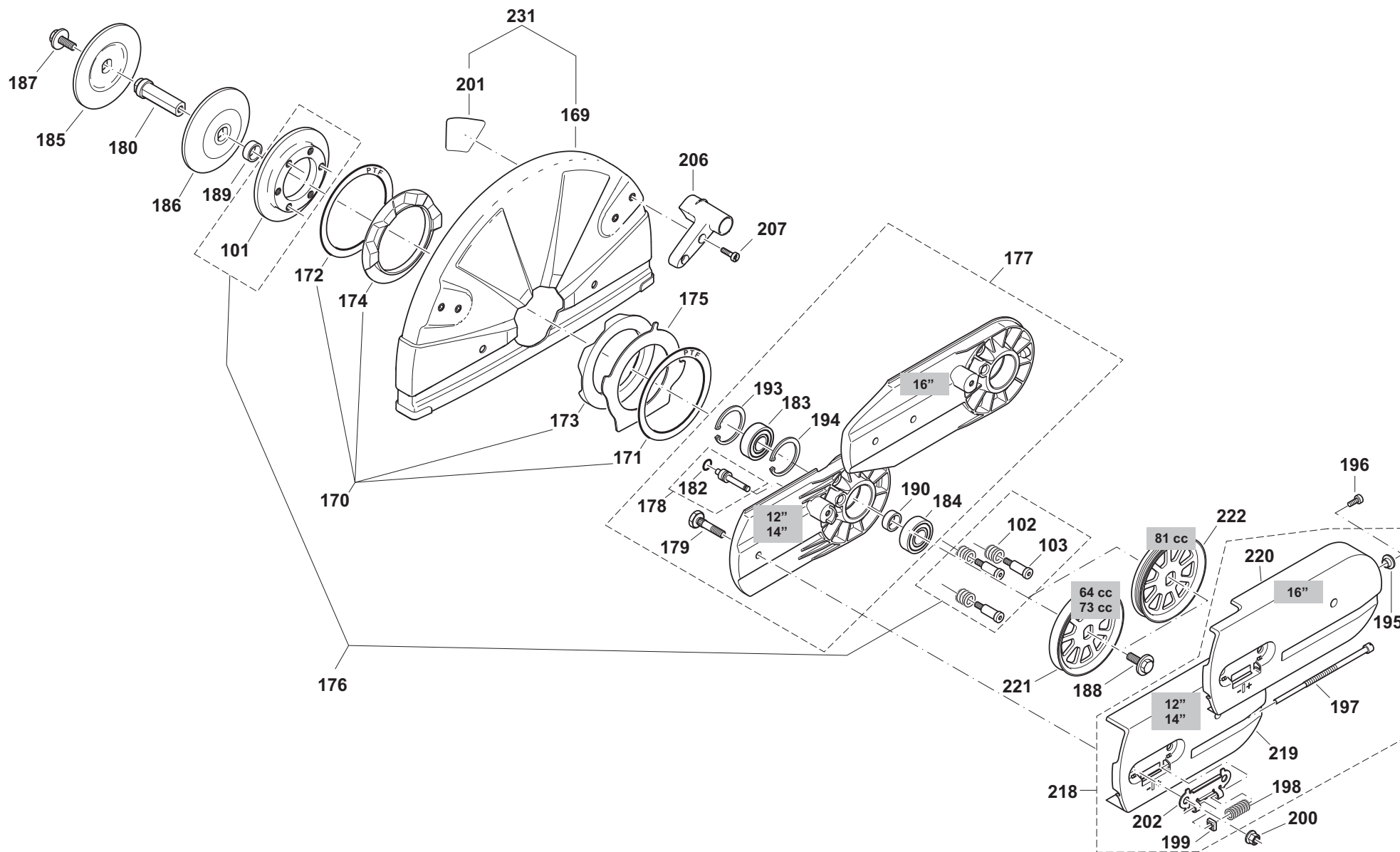
EK7300, EK7301, EK8100,  
PC-7412, PC7414, PC8216

**6**

Zylinder, Kurbeltrieb, Kupplung  
Cylinder, crankshaft, clutch



| Seite / Page | Pos. | EK7300 | EK7301 | EK8100 | PC-7412 | PC7414 | PC8216 | Teil-Nr.<br>Part No. | Hinweise<br>Notes | Bezeichnung      | Spezifikation<br>Specification | Description  |
|--------------|------|--------|--------|--------|---------|--------|--------|----------------------|-------------------|------------------|--------------------------------|--------------|
| 6            | 167  |        |        | 1      |         |        | 1      | 424711-7             |                   | KEILRIPPENRIEMEN | ø400mm-80m                     | V-BELT       |
| 6            | 168  | 1      | 1      | 1      | 1       | 1      | 1      | 965402870            |                   | FIXIERGUMMI      | set=35 pcs.                    | RUBBER PLATE |
| 6            | 204  | 1      | 1      | 1      | 1       | 1      | 1      | 212134-9             |                   | NADELHÜLSE       |                                | NEEDLE BUSH  |



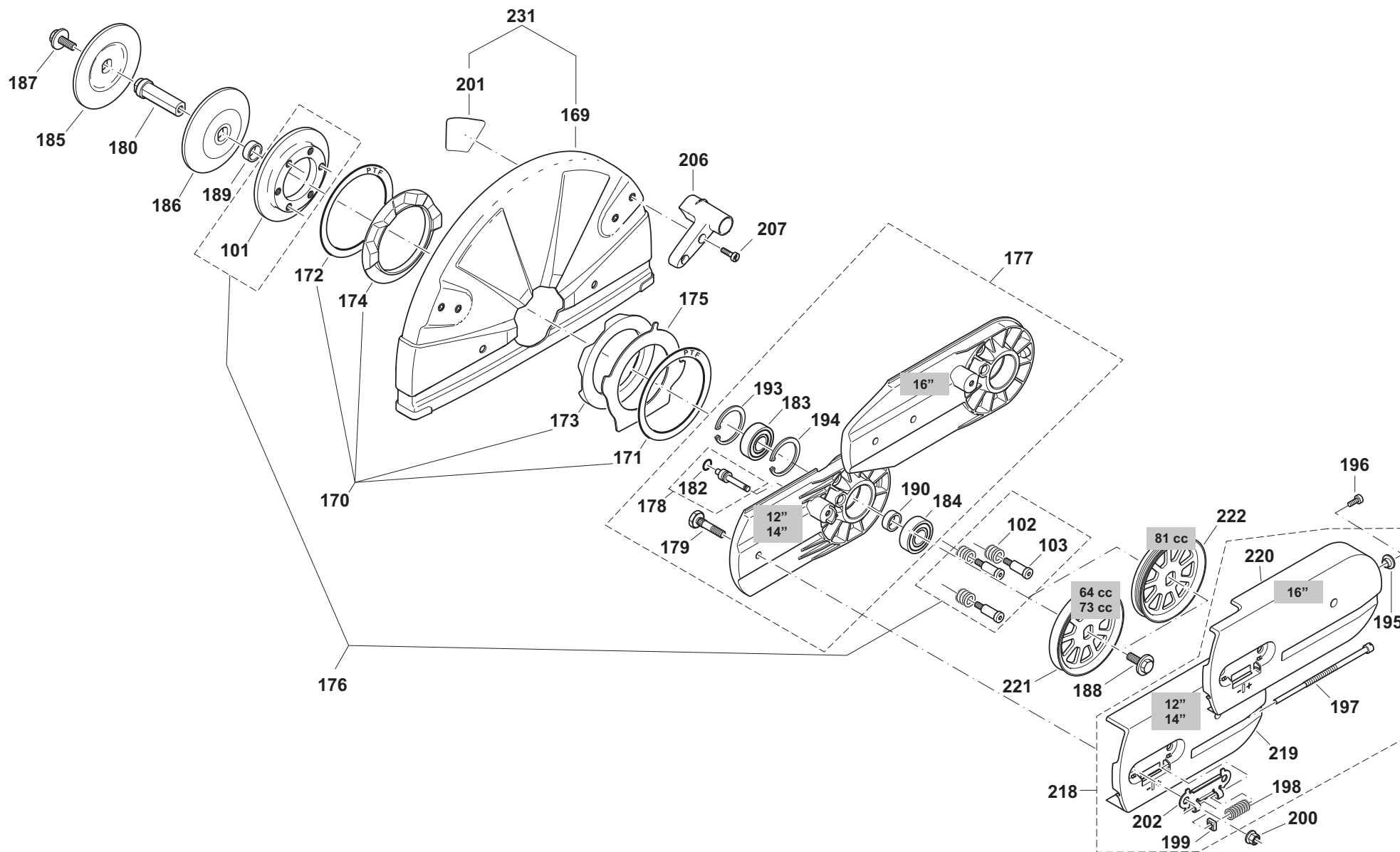
EK7300, EK7301, EK8100,  
PC-7412, PC7414, PC8216

**7**

Schneidvorsatz, Schutzhaube  
Cutting device, protection hood



| Seite / Page | Pos. | EK7300 | EK7301 | EK8100 | PC-7412 | PC7414 | PC8216 | Teil-Nr.<br>Part No. | Hinweise<br>Notes | Bezeichnung                  | Spezifikation<br>Specification            | Description                   |
|--------------|------|--------|--------|--------|---------|--------|--------|----------------------|-------------------|------------------------------|---|-------------------------------|
| 7            | 101  | 1      | 1      | 1      | 1       | 1      | 1      | 318746-7             |                   | DRUCKRING                    | FT  | PRESSURE RING                 |
| 7            | 102  | 3      | 3      | 3      | 3       | 3      | 3      | 234216-7             |                   | DRUCKFEDER                   | 8   | PRESSURE SPRING               |
| 7            | 103  | 3      | 3      | 3      | 3       | 3      | 3      | 394228051            |                   | ANSATZSCHRAUBE               | M6  | H.L. SOCKET HEAD COLLAR BOLT  |
| 7            | 169  | 1      |        |        | 1       |        |        | 325341611            |                   | SCHUTZHAUBE SILBER           | ø 300mm; 12"                              | PROTECTION HOOD               |
| 7            | 169  |        | 1      |        |         | 1      |        | 346910-0             |                   | SCHUTZHAUBE SILBER           | ø 350mm; 14"                              | HOOD                          |
| 7            | 169  |        |        | 1      |         |        | 1      | 347005-2             |                   | SCHUTZHAUBE SILBER           | ø 400mm; 16"                              | HOOD                          |
| 7            | 170  | 1      | 1      | 1      | 1       | 1      | 1      | 957342011            |                   | AUFNAHME SCHUTZHAUBE KPL.    | INC. 171-174                              | PROT. HOOD MOUNTING, CPL.     |
| 7            | 171  | 1      | 1      | 1      | 1       | 1      | 1      | 394342180            |                   | GLEITSCHLEIBE TEFLON         |   | SLIDING DISC                  |
| 7            | 172  | 1      | 1      | 1      | 1       | 1      | 1      | 394342180            |                   | GLEITSCHLEIBE TEFLON         |   | SLIDING DISC                  |
| 7            | 173  | 1      | 1      | 1      | 1       | 1      | 1      | 424427-4             |                   | GUMMIRING AUßEN              |   | RUBBER RING EXT.              |
| 7            | 174  | 1      | 1      | 1      | 1       | 1      | 1      | 424426-6             |                   | GUMMIRING INNEN              |   | RUBBER RING INT.              |
| 7            | 175  | 1      | 1      | 1      | 1       | 1      | 1      | 394342160            |                   | ANSCHLAGBLECH                |   | IMPACT PLATE                  |
| 7            | 176  | 1      | 1      | 1      | 1       | 1      | 1      | 394342211            |                   | DRUCKRING KPL., SCHWARZ      |   | PRESSURE RING CPL.            |
| 7            | 177  | 1      | 1      |        | 1       | 1      |        | 394211740            |                   | SCHNEIDVORSATZ KPL., SCHWARZ | 12", 14" INC. 178,179,182-184,190,193,194 | CUTTING DEVICE ASSY.          |
| 7            | 177  |        |        | 1      |         |        | 1      | 326211740            |                   | SCHNEIDVORSATZ KPL., SCHWARZ | 16" INC. 178,179,182-184,190,193,194      | CUTTING DEVICE ASSY.          |
| 7            | 178  | 1      | 1      | 1      | 1       | 1      | 1      | 394342190            |                   | ANSCHLAGBOLZEN KPL.          |   | BOLT CPL.                     |
| 7            | 179  | 2      | 2      | 2      | 2       | 2      | 2      | 394211091            |                   | 6 KANT-SCHRAUBE              |   | TIGHTEN LOCKING BOLT          |
| 7            | 180  | 1      | 1      | 1      | 1       | 1      | 1      | 326502-1             |                   | ACHSE                        | ø 20 mm (350mm)                           | AXLE                          |
| 7            | 180  | 1      | 1      |        | 1       | 1      |        | 394228131            | ACC.              | ACHSE F. SCHNEIDVORSATZ      | ø 22,2mm                                  | AXLE                          |
| 7            | 180  | 1      | 1      |        | 1       | 1      |        | 326503-9             |                   | ACHSE                        | ø 25,4mm; 1"                              | AXLE                          |
| 7            | 182  | 1      | 1      | 1      | 1       | 1      | 1      | 213625-3             |                   | O-RING                       | 9x2                                       | PACKING RING                  |
| 7            | 183  | 1      | 1      | 1      | 1       | 1      | 1      | 211281-3             |                   | RILLENKUGELLAGER             | 6203LLU                                   | BALL BEARING                  |
| 7            | 184  | 1      | 1      | 1      | 1       | 1      | 1      | 211281-3             |                   | RILLENKUGELLAGER             | 6203LLU                                   | BALL BEARING                  |
| 7            | 185  | 1      | 1      | 1      | 1       | 1      | 1      | 224478-5             | 2021-01 =>        | SPANNFLANSCH                 | 12"-16"                                   | PRESSURE DISC                 |
| 7            | 185  | 1      | 1      | 1      | 1       | 1      | 1      | 224443-4             | => 2020-12        | SPANNFLANSCH                 | 12"-16"                                   | PRESSURE DISC                 |
| 7            | 186  | 1      | 1      | 1      | 1       | 1      | 1      | 224478-5             | 2021-01 =>        | SPANNFLANSCH                 | 12"-16"                                   | PRESSURE DISC                 |
| 7            | 186  | 1      | 1      | 1      | 1       | 1      | 1      | 224443-4             | => 2020-12        | SPANNFLANSCH                 | 12"-16"                                   | PRESSURE DISC                 |
| 7            | 187  | 1      | 1      | 1      | 1       | 1      | 1      | 266976-3             |                   | 6 KANT-SCHRAUBE MIT SCHEIBE  | M8x25                                     | HEXAGON HEAD BOLT WITH WASHER |
| 7            | 188  | 1      | 1      | 1      | 1       | 1      | 1      | 266976-3             |                   | 6 KANT-SCHRAUBE MIT SCHEIBE  | M8x25                                     | HEXAGON HEAD BOLT WITH WASHER |
| 7            | 189  | 1      | 1      | 1      | 1       | 1      | 1      | 257375-0             |                   | DISTANZHÜLSE                 |   | SPACER                        |
| 7            | 190  | 1      | 1      | 1      | 1       | 1      | 1      | 257375-0             |                   | DISTANZHÜLSE                 |   | SPACER                        |
| 7            | 193  | 1      | 1      | 1      | 1       | 1      | 1      | 257998-4             |                   | SICHERUNGSRING               |   | SNAP RING                     |
| 7            | 194  | 1      | 1      | 1      | 1       | 1      | 1      | 257998-4             |                   | SICHERUNGSRING               |   | SNAP RING                     |
| 7            | 195  |        |        | 1      |         |        | 1      | 326211020            |                   | BUCHSE                       |   | BUSHING                       |
| 7            | 196  |        |        | 1      |         |        | 1      | 908905125            |                   | INNEN-6 KANT-SCHRAUBE        | 5x12                                      | HEX. SOCKET HEAD BOLT         |
| 7            | 197  | 1      | 1      | 1      | 1       | 1      | 1      | 266691-9             |                   | SPANNSCHRAUBE                | M6  | TENSIONING SCREW              |
| 7            | 198  | 1      | 1      | 1      | 1       | 1      | 1      | 234215-9             |                   | DRUCKFEDER                   | 6   | COMPRESSION SPRING            |
| 7            | 199  | 1      | 1      | 1      | 1       | 1      | 1      | 264112-5             |                   | 4 KANT-MUTTER                | M6  | SQUARE NUT                    |
| 7            | 200  | 2      | 2      | 2      | 2       | 2      | 2      | 252145-2             |                   | 6 KANT-MUTTER MIT BUND       | M8  | COLLARED HEXAGONAL NUT        |
| 7            | 201  | 1      |        |        | 1       |        |        | 980114972            |                   | SICHERHEITSAUFKLEBER         | 300/20,0mm; ø12"/.787"                    | SAFETY LABEL                  |
| 7            | 201  |        | 1      |        |         | 1      |        | 893218-8             | EU/RU: 2020-09 => | SICHERHEITSAUFKLEBER         | 350/25,4/80 (14"/1")                      | CAUTION LABEL                 |



EK7300, EK7301, EK8100,  
PC-7412, PC7414, PC8216

**7**

Schneidvorsatz, Schutzhaube  
Cutting device, protection hood

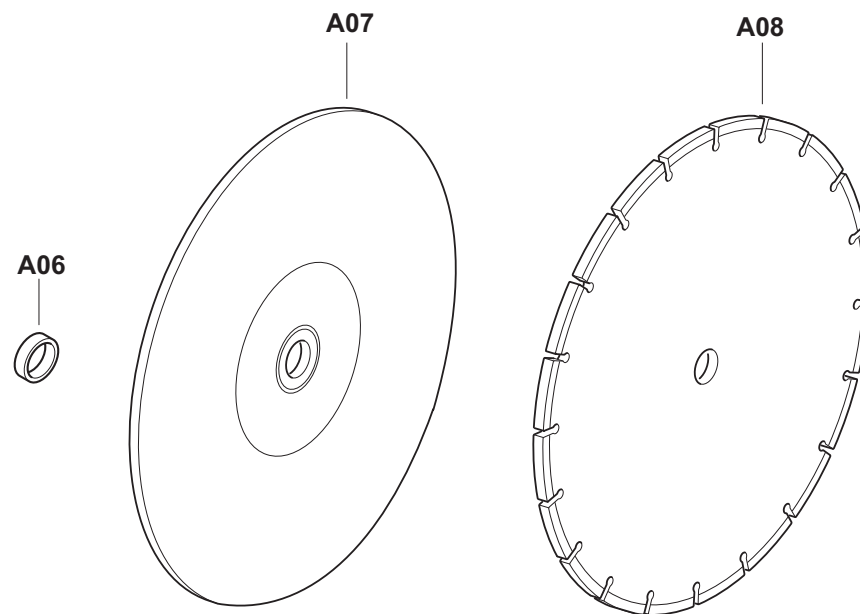
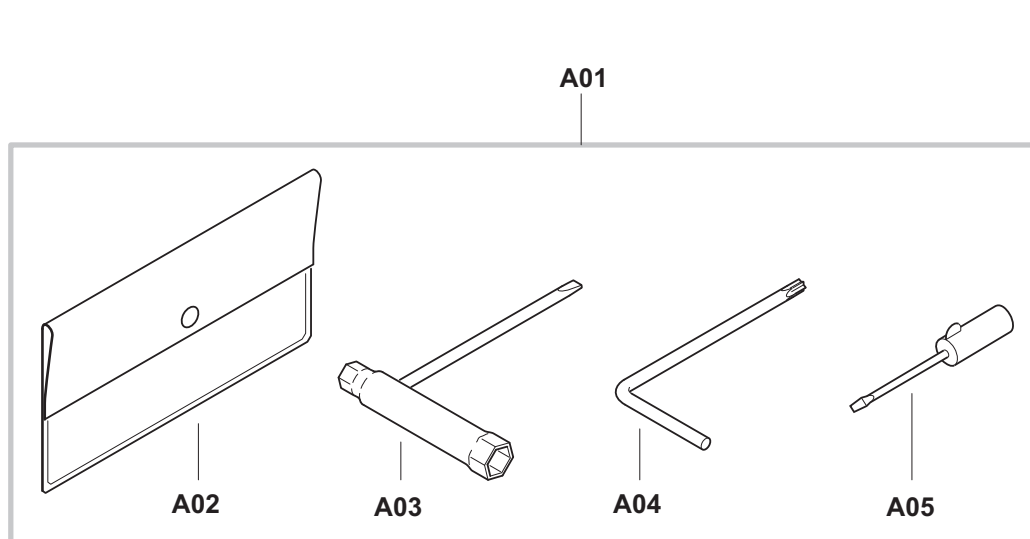


| Seite / Page | Pos. | EK7300 | EK7301 | EK8100 | PC-7412 | PC7414 | PC8216 | Teil-Nr.<br>Part No. | Hinweise<br>Notes                | Bezeichnung                       | Spezifikation<br>Specification                              | Description              |
|--------------|------|--------|--------|--------|---------|--------|--------|----------------------|----------------------------------|-----------------------------------|---|--------------------------|
| 7            | 201  |        | 1      |        |         | 1      |        | 806J84-4             | USA, CDN, MX (EU:<br>=> 2020-08) | SICHERHEITSAUFKLEBER              | 350/25,4/80 (14"/1")  | SAFETY LABEL             |
| 7            | 201  |        | 1      |        |         | 1      |        | 980114974            | USA, CDN, MX (EU:<br>=> 2020-08) | SICHERHEITSAUFKLEBER              | 350/20,0/80 (14"/.787")                                     | SAFETY LABEL             |
| 7            | 201  |        | 1      |        |         | 1      |        | 8022H0-2             | EU/RU: 2020-09 =>                | SICHERHEITSAUFKLEBER              | 350/20,0/80 (14"/.787")                                     | SAFETY LABEL             |
| 7            | 201  |        |        | 1      |         |        | 1      | 807B75-0             | USA, CDN, MX (EU:<br>=> 2020-08) | SICHERHEITSAUFKLEBER              | 400/20,0/80 (16"/.787")                                     | SAFETY LABEL             |
| 7            | 201  |        |        | 1      |         |        | 1      | 8022H1-0             | EU/RU: 2020-09 =>                | SICHERHEITSAUFKLEBER              | 400/20,0/80 (16"/.787")                                     | SAFETY LABEL             |
| 7            | 201  |        | 1      |        |         |        |        | 980115615            | RU                               | SICHERHEITSAUFKLEBER              | 350/20,0mm; ø14"/.787"                                      | SAFETY LABEL             |
| 7            | 201  |        |        | 1      |         |        | 1      | 980115227            |                                  | SICHERHEITSAUFKLEBER              | 400/25,4/80 (16"/1")  | SAFETY LABEL             |
| 7            | 202  | 1      | 1      | 1      | 1       | 1      | 1      | 346457-4             |                                  | AUFNAHMEBLECH                     |   | METAL SHEET              |
| 7            | 206  | 1      | 1      | 1      | 1       | 1      | 1      | 326341301            |                                  | GRIF SCHUTZHAUBE                  |   | GRIP FOR PROTECTIVE HOOD |
| 7            | 207  | 2      | 2      | 2      | 2       | 2      | 2      | 908605165            |                                  | SCHRAUBE T                        | M5x16   | H.L. SOCKET HEAD BOLT    |
| 7            | 218  |        |        |        | 1       | 1      |        | 135953-5             |                                  | ABDECKUNG SCHNEIDVORS. KPL., ROT  | 12", 14", red, highly polished INC.<br>195,197-199,202,219  | BELT COVER ASSEMBLY      |
| 7            | 218  |        |        |        |         |        | 1      | 395211060            | 2010 =>                          | ABDECKUNG SCHNEIDVORS. KPL., ROT  | 16", red, highly polished INC. 195,197-199,202,220          | COVER CPL.               |
| 7            | 218  | 1      | 1      |        |         |        |        | 135924-2             | 2010 =>                          | ABDECKUNG SCHNEIDVORS. KPL., BLAU | 12", 14", blue, highly polished INC.<br>195,197-199,202,219 | COVER CPL.               |
| 7            | 218  |        |        | 1      |         |        |        | 135923-4             | 2010 =>                          | ABDECKUNG SCHNEIDVORS. KPL., BLAU | 16", blue, highly polished INC. 195,197-199,202,220         | COVER CPL.               |
| 7            | 219  |        |        |        | 1       | 1      |        | 455823-5             | 2010 =>                          | ABDECKUNG SCHNEIDVORSATZ, ROT     | 12", 14", red, highly polished                              | BELT COVER               |
| 7            | 219  | 1      | 1      |        |         |        |        | 455956-6             | 2010 =>                          | ABDECKUNG SCHNEIDVORS., BLAU      | 12", 14", blue, highly polished                             | BELT COVER               |
| 7            | 220  |        |        |        |         |        | 1      | 456066-2             | 2010 =>                          | ABDECKUNG SCHNEIDVORSATZ, ROT     | 16", red, highly polished INC. 195                          | BELT COVER               |
| 7            | 220  |        |        | 1      |         |        |        | 395211630            | 2010 =>                          | ABDECKUNG SCHNEIDVORS., BLAU      | 16", blue, highly polished INC. 195                         | COVER                    |
| 7            | 221  | 1      | 1      |        | 1       | 1      |        | 222180-4             |                                  | KEILRIEMENSCHLEIBE                |   | BELT PULLEY              |
| 7            | 222  |        |        | 1      |         |        | 1      | 326221020            |                                  | KEILRIPPENSCHLEIBE                |   | BELT PULLEY              |
| 7            | 231  | 1      |        |        | 1       |        |        | 143791-1             |                                  | SCHUTZHAUBE KPL.                  | ø 300/20,0mm; ø12"/.787" INC. 201                           | PROTECTION HOOD CPL.     |
| 7            | 231  |        | 1      |        |         |        | 1      | 143796-1             | USA, CDN, MX (EU:<br>=> 2020-08) | SCHUTZHAUBE KPL.                  | ø 350/25,4mm; ø14"/1" INC. 201                              | PROTECTION HOOD CPL.     |
| 7            | 231  |        | 1      |        |         |        | 1      | 140X38-8             | EU/RU: 2020-09 =>                | SCHUTZHAUBE KPL.                  | ø 350/25,4mm; ø14"/1" INC. 201                              | PROTECTION HOOD CPL.     |
| 7            | 231  |        | 1      |        |         |        | 1      | 143792-9             | USA, CDN, MX (EU:<br>=> 2020-08) | SCHUTZHAUBE KPL.                  | ø 350/20,0mm; ø14"/.787" INC. 201                           | PROTECTION HOOD CPL.     |
| 7            | 231  |        | 1      |        |         |        | 1      | 140X26-5             | EU/RU: 2020-09 =>                | SCHUTZHAUBE KPL.                  | ø 350/20,0mm; ø14"/.787" INC. 201                           | PROTECTION HOOD CPL.     |
| 7            | 231  |        |        | 1      |         |        | 1      | 143793-7             | USA, CDN, MX (EU:<br>=> 2020-08) | SCHUTZHAUBE KPL.                  | ø 400/20,0mm; ø16"/.787" INC. 201                           | PROTECTION HOOD CPL.     |
| 7            | 231  |        |        | 1      |         |        | 1      | 140X27-3             | EU/RU: 2020-09 =>                | SCHUTZHAUBE KPL.                  | ø 400/20,0mm; ø16"/.787" INC. 201                           | PROTECTION HOOD CPL.     |
| 7            | 231  |        |        | 1      |         |        | 1      | 143794-5             |                                  | SCHUTZHAUBE KPL.                  | ø 400/25,4mm; ø16"/1" INC. 201                              | PROTECTION HOOD CPL.     |

EK7300, EK7301, EK8100,  
PC-7412, PC7414, PC8216

**8**

Trennscheiben, Werkzeug  
Blades, tools





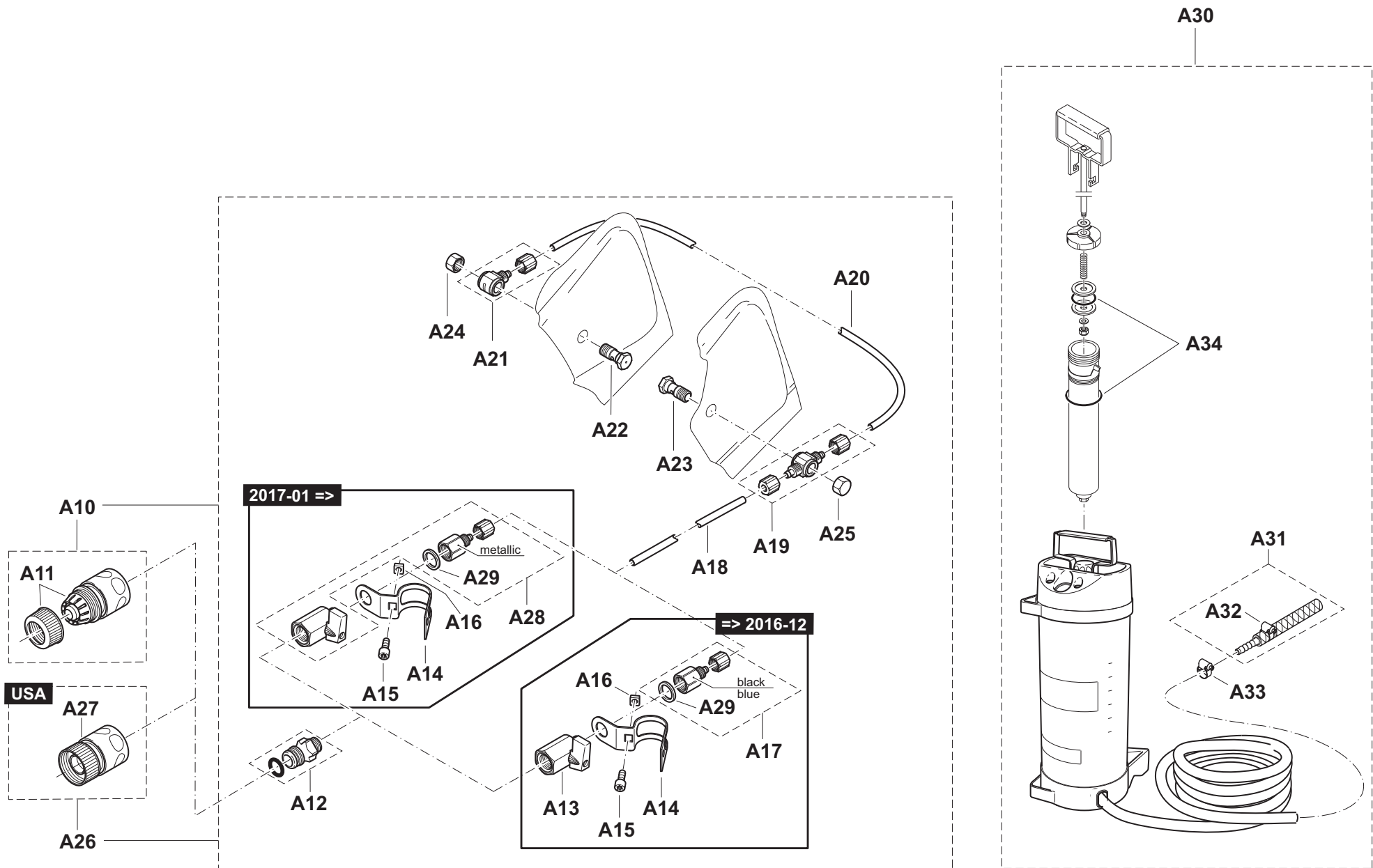
EK7300, EK7301, EK8100,  
PC-7412, PC7414, PC8216

8

Trennscheiben, Werkzeug  
Blades, tools



| Seite / Page | Pos. | EK7300 | EK7301 | EK8100 | PC-7412 | PC7414 | PC8216 | Teil-Nr.<br>Part No. | Hinweise<br>Notes | Bezeichnung              | Spezifikation<br>Specification | Description         |
|--------------|------|--------|--------|--------|---------|--------|--------|----------------------|-------------------|--------------------------|--------------------------------|---------------------|
| 8            | A01  | 1      | 1      | 1      | 1       | 1      | 1      | 957004006            |                   | WERKZEUG-SET             | INC. A02-A05                   | TOOL KIT            |
| 8            | A01  |        |        |        |         |        | 1      | 957004009            | CH                | WERKZEUG-SET             | INC. A02-A06                   | TOOL KIT            |
| 8            | A02  | 1      | 1      | 1      | 1       | 1      | 1      | 950004002            |                   | WERKZEUGTASCHE           |                                | TOOL BAG            |
| 8            | A03  | 1      | 1      | 1      | 1       | 1      | 1      | 941719141            |                   | KOMBISCHLÜSSEL           | SW13/19                        | UNIVERSAL WRENCH    |
| 8            | A04  | 1      | 1      | 1      | 1       | 1      | 1      | 940827000            |                   | WINKELSCHRAUBENDREHER    | T27                            | ANGLE SCREW DRIVER  |
| 8            | A05  | 1      | 1      | 1      | 1       | 1      | 1      | 783012-5             |                   | SCHRAUBENDREHER          |                                | SCREWDRIVER         |
| 8            | A06  | 1      | 1      | 1      | 1       | 1      | 1      | 197318-9             | Acc.              | ADAPTERRING              | ø 20/25,4 mm                   | ADAPTER             |
| 8            | A07  |        |        |        | 1       |        |        |                      |                   | TRENNSCHEIBE KUNSTHARZ   | ø 300mm/12"                    | BLADE SYNTHETIC     |
| 8            | A07  |        |        |        |         | 1      |        |                      |                   | TRENNSCHEIBE KUNSTHARZ   | ø 350mm/14"                    | BLADE SYNTHETIC     |
| 8            | A07  |        |        |        |         |        | 1      |                      |                   | TRENNSCHEIBE KUNSTHARZ   | ø 400mm/16"                    | BLADE SYNTHETIC     |
| 8            | A07  | 1      |        |        |         |        |        | 966121120            |                   | TRENNSCHEIBE HARZ, STEIN | 300/20mm; 12"                  | ABRAS. BLADE, STONE |
| 8            | A07  | 1      |        |        |         |        |        | 966121152            |                   | TRENNSCHEIBE HARZ, STAHL | 300/20mm; 12"                  | ABRAS. BLADE, STEEL |
| 8            | A07  |        | 1      |        |         |        |        | 966141152            |                   | TRENNSCHEIBE HARZ, STAHL | 350/20mm; 14"                  | ABRAS. BLADE, STEEL |
| 8            | A07  |        | 1      |        |         |        |        | 966141120            |                   | TRENNSCHEIBE HARZ, STEIN | 350/20mm; 14"                  | ABRAS. BLADE, STONE |
| 8            | A07  |        | 1      |        |         |        |        | 966144120            |                   | TRENNSCHEIBE HARZ, STEIN | 350/25,4mm; 14"                | ABRAS. BLADE, STONE |
| 8            | A07  |        | 1      |        |         |        |        | B-70839              |                   | TRENNSCHEIBE HARZ, STAHL | 350/25,4mm; 14"                | ABRAS. BLADE, STEEL |
| 8            | A07  |        |        | 1      |         |        |        | B-70851              |                   | TRENNSCHEIBE HARZ, STAHL | 400/20mm; 16"                  | ABRAS. BLADE, STEEL |
| 8            | A07  |        |        | 1      |         |        |        | 966161020            |                   | TRENNSCHEIBE HARZ, STEIN | 400/20mm; 16"                  | ABRAS. BLADE, STONE |
| 8            | A07  |        |        | 1      |         |        |        | 966164050            |                   | TRENNSCHEIBE HARZ, STAHL | 400/1"; 16"                    | ABRAS. BLADE, STEEL |
| 8            | A08  | 1      |        |        | 1       |        |        |                      | Acc.              | TRENNSCHEIBE DIAMANT     | ø 300mm/12"                    | DIAMOND BLADE       |
| 8            | A08  |        | 1      |        |         | 1      |        |                      | Acc.              | TRENNSCHEIBE DIAMANT     | ø 350mm/14"                    | DIAMOND BLADE       |
| 8            | A08  |        |        | 1      |         |        | 1      |                      | Acc.              | TRENNSCHEIBE DIAMANT     | ø 400mm/16"                    | DIAMOND BLADE       |



EK7300, EK7301, EK8100,  
PC-7412, PC7414, PC8216

9

Wasseranschluß, Druckwassertank • Nicht im Lieferumfang  
Water attachment, pressurised water tank • Not included in delivery



| Seite / Page | Pos. | EK7300 | EK7301 | EK8100 | PC-7412 | PC7414 | PC8216 | Teil-Nr.<br>Part No. | Hinweise<br>Notes | Bezeichnung                  | Spezifikation<br>Specification | Description               |
|--------------|------|--------|--------|--------|---------|--------|--------|----------------------|-------------------|------------------------------|--------------------------------|---------------------------|
| 9            | A10  | 1      | 1      | 1      | 1       | 1      | 1      | 394365102            |                   | DRUCK FALL-WASSERSET         | INC. A11-A25                   | WATER ATTACHMENT KIT      |
| 9            | A11  | 1      | 1      | 1      | 1       | 1      | 1      | 964802273            |                   | SCHLAUCHKUPPLUNG             | STOP 1/2"                      | COUPLING SLEEVE           |
| 9            | A12  | 1      | 1      | 1      | 1       | 1      | 1      | 964802282            |                   | EINSCHRAUBNIPPEL             |                                | HOSE CONNECTOR            |
| 9            | A13  | 1      | 1      | 1      | 1       | 1      | 1      | 964802291            | => 2016-12        | KUGELVENTIL                  |                                | SHUT OFF COCK             |
| 9            | A14  | 1      | 1      | 1      | 1       | 1      | 1      | 394365163            |                   | SCHELLE                      |                                | CLAMP                     |
| 9            | A15  | 1      | 1      | 1      | 1       | 1      | 1      | 266950-1             |                   | SCHRAUBE                     | M6x14                          | H.L. SOCKET HEAD BOLT     |
| 9            | A16  | 1      | 1      | 1      | 1       | 1      | 1      | 264112-5             |                   | 4 KANT-MUTTER                | M6                             | SQUARE NUT                |
| 9            | A17  | 1      | 1      | 1      | 1       | 1      | 1      | 964802410            | => 2016-12        | SCHNELLVERSCHRAUBUNG         |                                | CONNECTING PIECE          |
| 9            | A18  | m      | m      | m      | m       | m      | m      | 964802322            |                   | PU-SCHLAUCH                  | 4x6x1000mm 405mm; 16"          | HOSE                      |
| 9            | A19  | 1      | 1      | 1      | 1       | 1      | 1      | 964802332            |                   | SCHNELLVERSCHRAUBUNG         | T                              | CONNECTING PIECE          |
| 9            | A20  | m      |        |        | m       |        |        | 964802322            |                   | PU-SCHLAUCH                  | 4x6x1000mm 180mm; 7"           | HOSE                      |
| 9            | A20  |        | m      | m      |         | m      | m      | 964802322            |                   | PU-SCHLAUCH                  | 4x6x1000mm 210mm; 8 1/4"       | HOSE                      |
| 9            | A21  | 1      | 1      | 1      | 1       | 1      | 1      | 964802342            |                   | SCHNELLVERSCHRAUBUNG         | L                              | CONNECTING PIECE          |
| 9            | A22  | 1      | 1      | 1      | 1       | 1      | 1      | 266949-6             |                   | HOHLSCHRAUBE GEBOHRT         |                                | HOLLOW SCREW, BORED       |
| 9            | A23  | 1      | 1      | 1      | 1       | 1      | 1      | 266949-6             |                   | HOHLSCHRAUBE GEBOHRT         |                                | HOLLOW SCREW, BORED       |
| 9            | A24  | 1      | 1      | 1      | 1       | 1      | 1      | 264109-4             |                   | HUTMUTTER                    |                                | CAP NUT                   |
| 9            | A25  | 1      | 1      | 1      | 1       | 1      | 1      | 264109-4             |                   | HUTMUTTER                    |                                | CAP NUT                   |
| 9            | A26  | 1      | 1      | 1      | 1       | 1      | 1      | 394365631            | U.S.A.            | DRUCK FALL-WASSERSET         | USA INC. A12-A25,A27           | WATER ATTACHMENT KIT      |
| 9            | A27  | 1      | 1      | 1      | 1       | 1      | 1      | 123120-4             | U.S.A.            | SCHLAUCHKUPPLUNG             | STOP 3/4" (USA)                | COUPLING SLEEVE           |
| 9            | A28  | 1      | 1      | 1      | 1       | 1      | 1      | 964802420            | 2017-01 =>        | KUGELHAHN MIT ANSCHLUSSSTÜCK |                                | BALLVALVE WITH CONNECTION |
| 9            | A29  | 1      | 1      | 1      | 1       | 1      | 1      | 964802380            |                   | DICHTRING                    |                                | SEALING RING              |
| 9            | A30  |        |        |        | 1       | 1      | 1      | 957802200            |                   | DRUCKWASSERTANK              | Dolmar INC. A31-A34            | PRESSURISED WATER TANK    |
| 9            | A30  | 1      | 1      | 1      |         |        |        | 957802600            |                   | DRUCKWASSERTANK              | Makita INC. A31-A34            | PRESSURISED WATER TANK    |
| 9            | A31  | 1      | 1      | 1      | 1       | 1      | 1      | 394365180            |                   | SCHLAUCHADAPTER              |                                | CONNECTING REDUCER        |
| 9            | A32  | 1      | 1      | 1      | 1       | 1      | 1      | 964802250            |                   | SCHLAUCHSCHELLE              |                                | HOSE CLIP                 |
| 9            | A33  | 1      | 1      | 1      | 1       | 1      | 1      | 964802250            |                   | SCHLAUCHSCHELLE              |                                | HOSE CLIP                 |
| 9            | A34  | 1      | 1      | 1      | 1       | 1      | 1      | 957963200            |                   | DICHTUNGSSATZ                |                                | GASKET SET                |

EK7300, EK7301, EK8100,  
PC-7412, PC7414, PC8216



|  | <b>Zeichenerklärung</b>  | <b>Key to symbols</b>   |
|--|--|---|
| <b>=&gt; 1999999</b><br><b>2000000 =&gt;</b><br><b>2003.04 =&gt;</b><br><b>TI 2003/07</b><br><b>Acc.</b><br><b>=</b><br><b>{</b><br><b>m</b><br><b>Corr.</b> | Produktion bis Serien-Nr.<br>Neues Teil ab Serien-Nr.<br>Neues Teil ab Jahr / Monat<br>Siehe Technische Information Jahr / Nr.<br>Zubehör (nicht im Lieferumfang)<br>Keine Serienausführung, jedoch verwendbar<br>Beinhaltet Positions-Nr.<br>Meterware<br>Druckfehlerberichtigung | Production to serial number<br>New part from serial number<br>New part from Year / Month<br>See Technical Information Year / No.<br>Accessories (not included in the delivery inventory)<br>No standard execution, may be used<br>Contains item number<br>Sold by the meter<br>Error correction |
|  | Änderungen vorbehalten   | Specifications subject to change without notice   |