

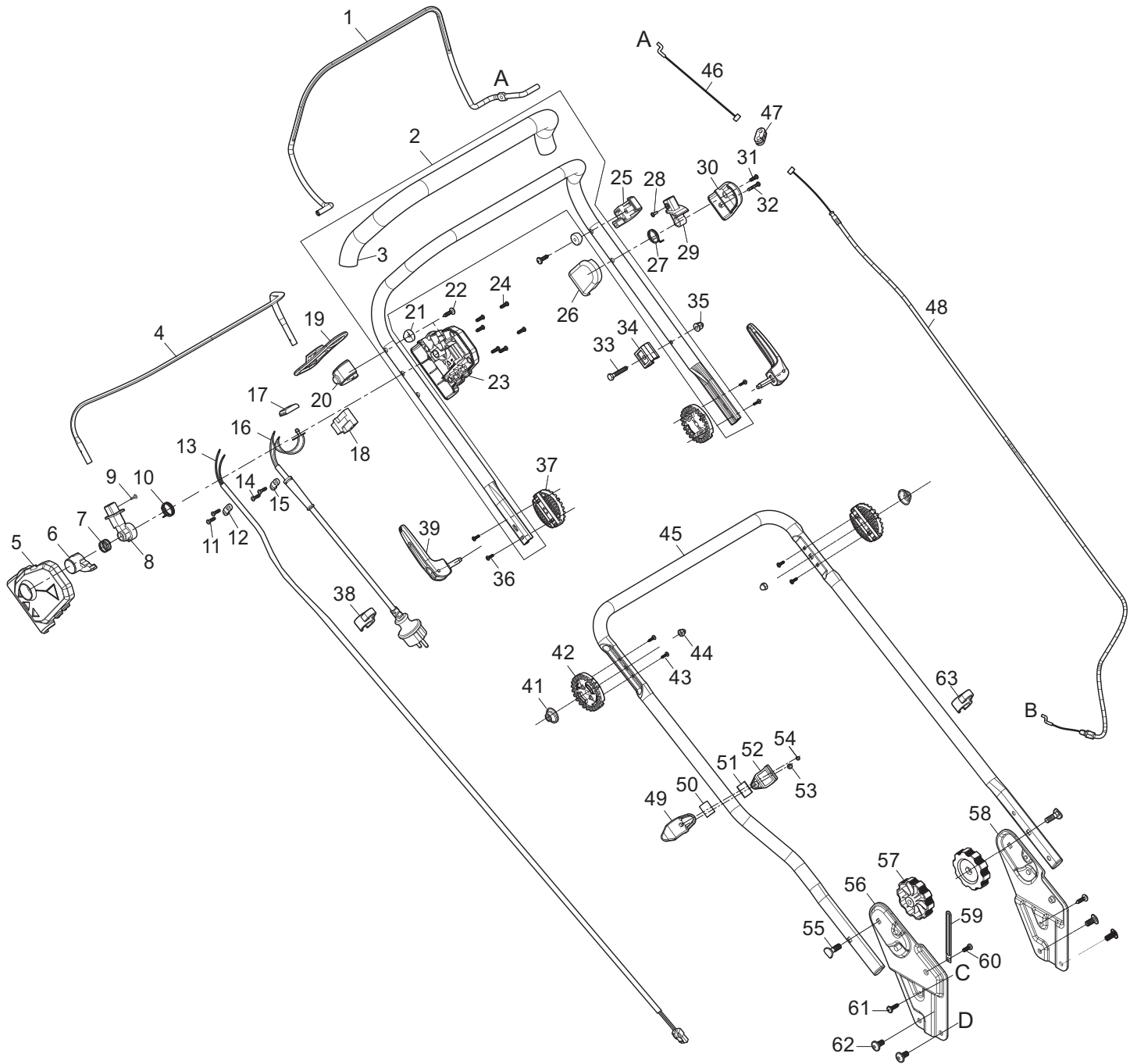


Ersatzteilliste Spare Parts List

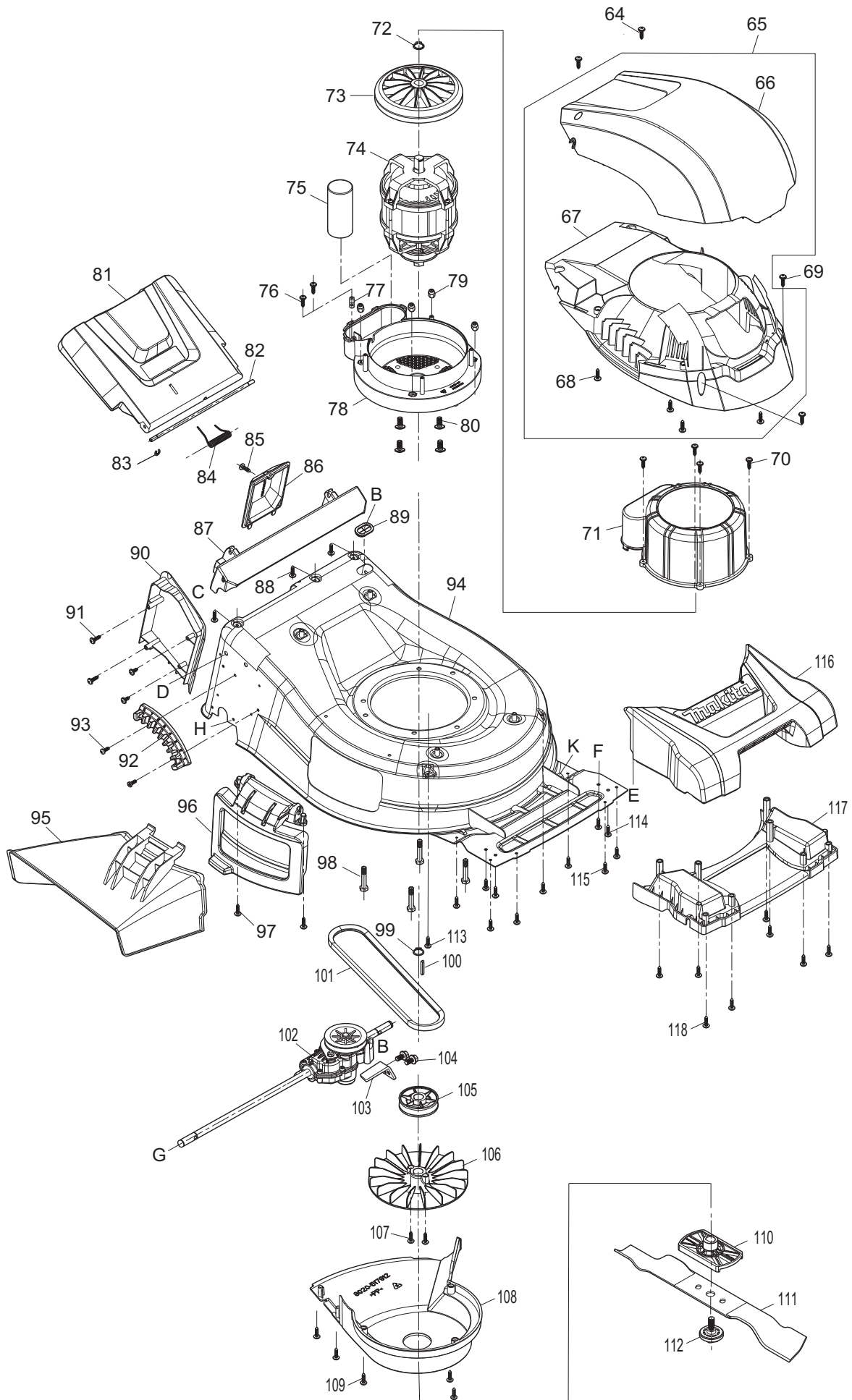
2020-10

EM463S
ELM4621

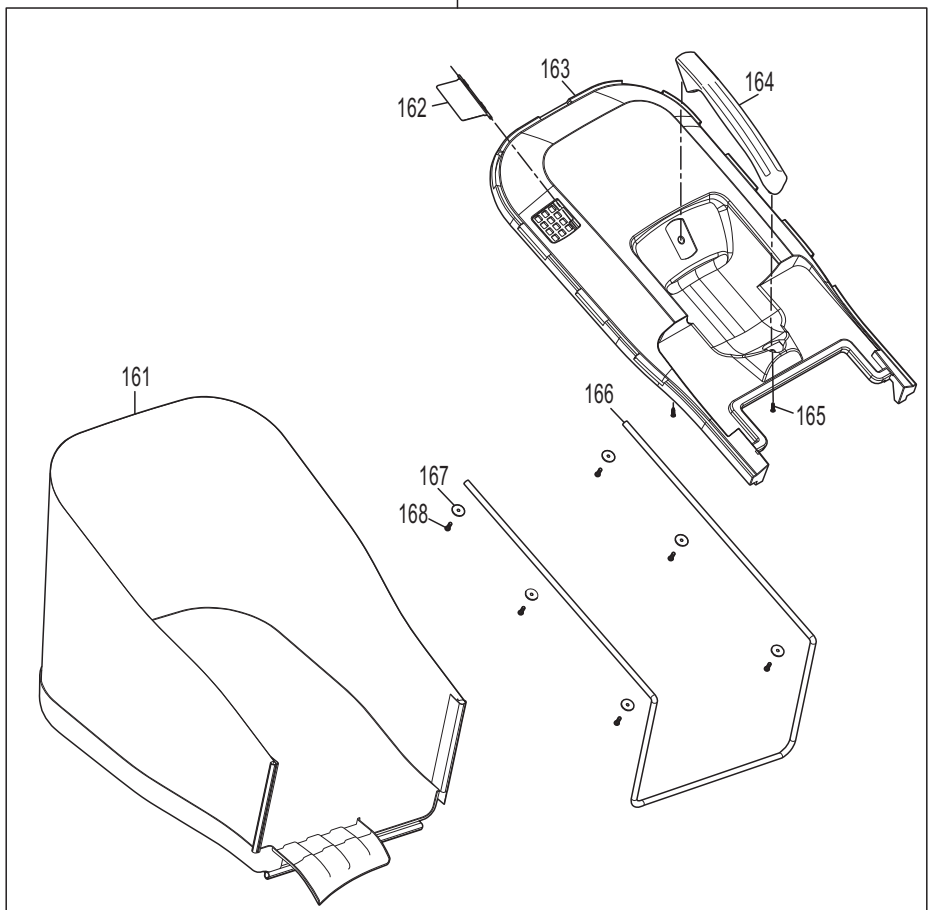
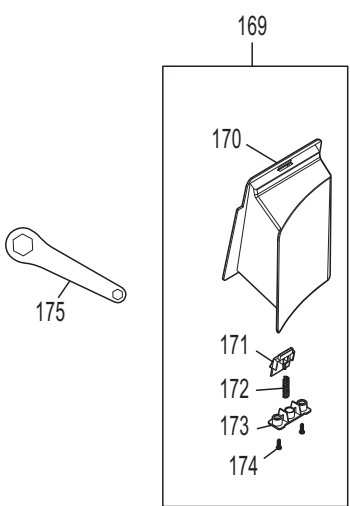
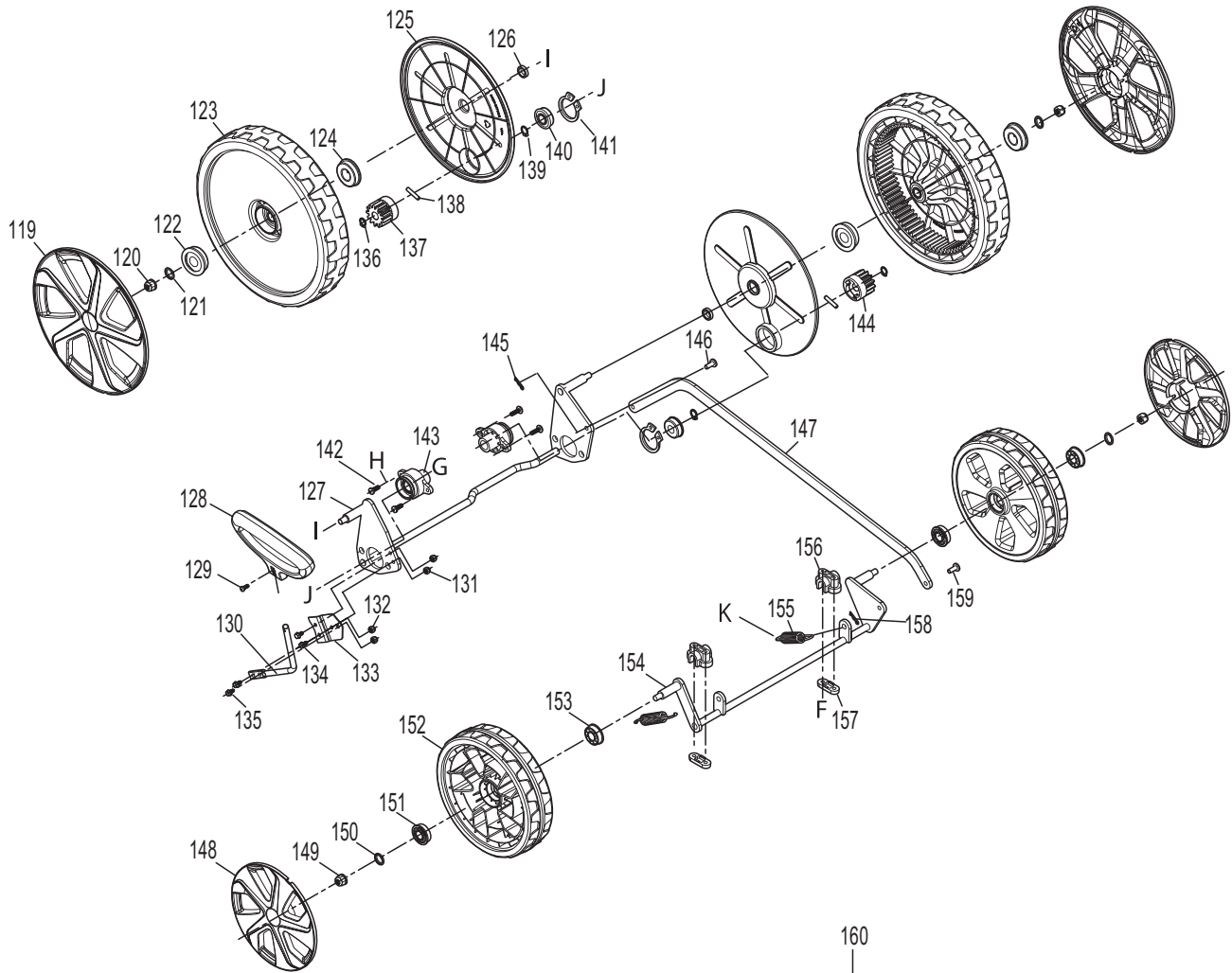
ELM4621, EM463S (D, GB)



Seite / Page	Pos.	EM463S	ELM4621	Teil-Nr. Part No.	Hinweise Notes	Bezeichnung	Spezifikation Specification	Description
1	1	1	1	YA00001108		ANTRIEBSHEBEL	INC. 3	DRIVE CONTROL LEVER
1	2	1	1	YA00001159		OBERHOLM		UPPER HANDLE BAR ASSY
1	3	1	1	YA00001185		SCHAUMSTOFFGRIFF		SPONGE GRIP
1	4	1	1	YA00001160		SCHALTBÜGEL		SWITCH LEVER
1	5	1	1	YA00000765		SCHALTERGEHÄUSE RECHTS		SWITCH BOX, RIGHT
1	6	1	1	YA00000766		SCHALTKNOPF		SWITCH LINK BUTTON
1	7	1	1	YA00000767		DRUCKFEDER	16.8	COMPRESSION SPRING
1	8	1	1	YA00000768		STECKVERBINDUNG RECHTS		SWITCH LEVER END CAP RIGHT
1	9	1	1	652024721		SCHRAUBE	3,5x10	SCREW
1	10	1	1	YA00000769		SPIRALFEDER	21	SWITCH TORSION SPRING
1	11	2	2	YA00000778		BLECHSCHRAUBE	ST4x16	SELF-TAPPING SCREW
1	12	1	1	YA00000780		KABELKLEMME		CORD CLAMP
1	13	1	1	YA00001038		VERBINDUNGSKABEL		POWER SUPPLY CORD ASSY
1	14	2	2	YA00000778		BLECHSCHRAUBE	ST4x16	SELF-TAPPING SCREW
1	15	1	1	YA00000780		KABELKLEMME		CORD CLAMP
1	16	1	1	YA00000773		ANSCHLUSSLEITUNG	Europa	POWER SUPPLY CORD UNIT
1	17	1	1	YA00000781		ANZEIGE		INDICATOR LENS
1	18	1	1	YA00000772		SCHALTER		SWITCH
1	19	1	1	652023811		KABELHALTERUNG		CABLE HANGER
1	20	1	1	YA00001105		HALTER RECHTS		DRIVE CONTROL LEVER BRACKET R
1	21	2	2	YA00001106		KUNSTSTOFFSCHEIBE	5	PLASTIC SADDLE WASHER
1	22	2	2	YA00000820		BLECHSCHRAUBE	ST5x16	SELF-TAPPING SCREW
1	23	1	1	YA00000782		SCHALTERGEHÄUSE LINKS		SWITCH BOX, LEFT
1	24	6	6	YA00000778		BLECHSCHRAUBE	ST4x16	SELF-TAPPING SCREW
1	25	1	1	YA00001107		HALTER LINKS		DRIVE CONTROL LEVER BRACKET L
1	26	1	1	652023795		GRIFFTRÄGER RECHTS		RIGHT HANDLE SUPPORT
1	27	1	1	YA00000737		SPIRALFEDER		TORSION SPRING
1	28	1	1	652024721		SCHRAUBE	3,5x10	SCREW
1	29	1	1	652023794		STECKVERBINDUNG LINKS		SWITCH LEVER END LEFT
1	30	1	1	652023793		GRIFFTRÄGER LINKS		LEFT HANDLE SUPPORT
1	31	1	1	YA00000778		BLECHSCHRAUBE	ST4x16	SELF-TAPPING SCREW
1	32	1	1	YA00000785		BLECHSCHRAUBE	ST4x25	SELF-TAPPING SCREW
1	33	1	1	YA00001109		6 KANT-SCHRAUBE	M6x35	HEX. BOLT
1	34	1	1	YA00001110		KABELHALTER		OUTER WIRE STOPPER
1	35	1	1	YA00000802		6 KANT-HUTMUTTER	M6	HEX. FLANGE CAP NUT
1	36	4	4	YA00000960		BLECHSCHRAUBE	ST3x12	SELF-TAPPING SCREW
1	37	2	2	YA00000961		WINKELGELENK OBEN		ANGLE ADJUSTMENT JOINT UPPER
1	38	1	1	YA00000921		KABELSCHELLE		CABLE CLIP
1	39	2	2	YA00000975		VERSTELLGRIFF		TENSION LEVER ASSY
1	41	2	2	YA00000976		DRUCKFEDER KONISCH		CONICAL SPRING
1	42	2	2	YA00000977		WINKELGELENK UNTEN		ANGLE ADJUSTMENT JOINT LOWER
1	43	4	4	YA00000960		BLECHSCHRAUBE	ST3x12	SELF-TAPPING SCREW
1	44	2	2	YA00000802		6 KANT-HUTMUTTER	M6	HEX. FLANGE CAP NUT
1	45	1	1	YA00001046		UNTERHOLM		LOWER HANDLE BAR
1	46	1	1	YA00001143		BOWDENZUG		DRIVE CONTROL WIRE SHORT
1	47	1	1	YA00001142		BOWDENZUGHALTER		WIRE JOINT
1	48	1	1	YA00001161		BOWDENZUG		DRIVE CONTROL WIRE LONG
1	49	1	1	YA00000970		KABELFÜHRUNG		CABLE GUIDE RING
1	50	1	1	YA00000971		GUMMIPLATTE		RUBBER SHEET
1	51	1	1	YA00000971		GUMMIPLATTE		RUBBER SHEET
1	52	1	1	YA00000972		KABELKLEMME		CABLE GUIDE CLAMP
1	53	1	1	YA00000873		BLECHSCHRAUBE	ST4x12	SELF-TAPPING SCREW
1	54	1	1	YA00000973		BLECHSCHRAUBE	ST3x16	SELF-TAPPING SCREW
1	55	2	2	YA00000983		VIERKANTSCHRAUBE	M8x40	SQUARE NECK BOLT
1	56	1	1	YA00001060		GRIFFANBINDUNG RECHTS		HANDLE BRACKET RIGHT
1	57	2	2	YA00000803		STERNGRIFF	M8	KNOB
1	58	1	1	YA00001063		GRIFFANBINDUNG LINKS		HANDLE BRACKET LEFT
1	59	1	1	YA00000997		KABELKLIPP		CABLE CLAMP
1	60	1	1	YA00000998		FLACHKOPFSCHRAUBE	M6x8	PAN HEAD SCREW
1	61	2	2	YA00000778		BLECHSCHRAUBE	ST4x16	SELF-TAPPING SCREW
1	62	4	4	YA00000995		FLACHRUNDKOPFSCHRAUBE	M8x16	H.S.TRUSS HEAD SCREW
1	63	1	1	YA00000921		KABELSCHELLE		CABLE CLIP



Seite / Page	Pos.	EM463S	ELM4621	Teil-Nr. Part No.	Hinweise Notes	Bezeichnung	Spezifikation Specification	Description
2	64	2	2	D652023758		BLECHSCHRAUBE	5x16	SELF-TAPPING SCREW
2	65	1		YA00001124		MOTORGEHÄUSE-SET ROT	Red INC. 66-68	MOTOR HOOD ASSY RED
2	65		1	YA00001125		MOTORGEHÄUSE-SET BLAU	Blue INC. 66-68	MOTOR HOOD ASSY BLUE
2	66	1		YA00001071		MOTORHAUBE ROT	Red	MOTOR HOOD UPPER RED
2	66		1	YA00001070		MOTORHAUBE BLAU	Blue	MOTOR HOOD UPPER BLUE
2	67	1	1	YA00001126		MOTORGEHÄUSE		MOTOR HOOD LOWER
2	68	4	4	YA00000820		BLECHSCHRAUBE	ST5x16	SELF-TAPPING SCREW
2	69	2	2	D652023758		BLECHSCHRAUBE	5x16	SELF-TAPPING SCREW
2	70	4	4	YA00000778		BLECHSCHRAUBE	ST4x16	SELF-TAPPING SCREW
2	71	1	1	YA00001140		MOTORABDECKUNG		MOTOR HOUSING UPPER
2	72	1	1	YA00001096		SICHERUNGSRING	S-17	RETAINING RING
2	73	1	1	YA00001097		LÜFTERRAD		FAN
2	74	1	1	YA00001074		MOTOR KPL.	230V 1800W	MOTOR ASSY
2	75	1	1	YA00001099		KONDENSATOR	25µF 500V	CAPACITOR
2	76	2	2	YA00000778		BLECHSCHRAUBE	ST4x16	SELF-TAPPING SCREW
2	77	1	1	652023752		KABELKLEMME		CABLE PRESSBOARD
2	78	1	1	YA00001075		MOTORTRÄGER		MOTOR HOUSING LOWER
2	79	4	4	652023843		6 KANT-SICHERUNGSMUTTER	M8	HEXAGONAL LOCKING NUT
2	80	4	4	YA00000995		FLACHRUNDKOPFSCHRAUBE	M8x16	H.S.TRUSS HEAD SCREW
2	81	1		YA00001059		HECKKLAPPE ROT	Red	REAR FLAP
2	81		1	YA00001058		HECKKLAPPE BLAU	Blue	REAR FLAP
2	82	1	1	YA00001122		SCHARNIERSTIFT		REAR FLAP HINGE ROD
2	83	1	1	YA00000990		SICHERUNGSRING	E-5	STOP RING
2	84	1	1	YA00000994		SPIRALFEDER	7.7	REAR FLAP TORSION SPRING
2	85	1	1	D652023758		BLECHSCHRAUBE	5x16	SELF-TAPPING SCREW
2	86	1	1	YA00001134		GETRIEBEABDECKUNG		GEAR BOX HOOD
2	87	1		YA00001062		TRÄGER F. SCHARNIERSTIFT ROT	Red	REAR FLAP HINGE BASE RED
2	87		1	YA00001061		TRÄGER F. SCHARNIERSTIFT BLAU	Blue	REAR FLAP HINGE BASE BLUE
2	88	3	3	YA00000778		BLECHSCHRAUBE	ST4x16	SELF-TAPPING SCREW
2	89	1	1	YA00001135		GUMMITÜLLE		GROMMET
2	90	1	1	YA00001089		GRASFÜHRUNGSPLATTE		GRASS OUTLET SLOPE BOARD
2	91	4	4	YA00000778		BLECHSCHRAUBE	ST4x16	SELF-TAPPING SCREW
2	92	1	1	YA00001064		RASTPLATTE F. HÖHENVERSTELLUNG		HEIGHT ADJUSTER STOP PLATE
2	93	2	2	D652023758		BLECHSCHRAUBE	5x16	SELF-TAPPING SCREW
2	94	1	1	YA00001123		DECK		DECK
2	95	1	1	YA00001090		SCHUTZHAUBE SEITENAUSWURF		SIDE DISCHARGE OUTLET
2	96	1	1	YA00001092		MULCHABDECKUNG		SIDE DISCHARGE FLAP ASSY
2	97	2	2	YA00001091		BLECHSCHRAUBE	ST5x12	SELF-TAPPING SCREW
2	98	4	4	YA00001076		6 KANT-SCHRAUBE	M8x35	HEX. BOLT
2	99	1	1	YA00001096		SICHERUNGSRING	S-17	RETAINING RING
2	100	1	1	YA00001141		PASSFEDER		FLAT KEY
2	101	1	1	YA00001138		KEILRIEMEN	XPZ 772	V-BELT
2	102	1	1	YA00001121		GETRIEBE KPL.		SELF DRIVING GEAR BOX ASSY
2	103	1	1	YA00001137		STABILISATOR		GEAR BOX STABILIZER
2	104	2	2	YA00001136		6 KANT-SCHRAUBE M. BUND	M6x16	HEX. FLANGE BOLT
2	105	1	1	YA00001139		KEILRIEMENSCHLEIBE		V-BELT PULLEY
2	106	1	1	YA00001094		LÜFTERRAD		FAN LOWER SIDE
2	107	2	2	YA00001024		BLECHSCHRAUBE	ST5x20	SELF-TAPPING SCREW
2	108	1	1	YA00001095		ABDECKUNG UNTEN		UNDER COVER
2	109	5	5	YA00000778		BLECHSCHRAUBE	ST4x16	SELF-TAPPING SCREW
2	110	1	1	YA00001066		MESSERHALTER		BLADE SUPPORT
2	111	1	1	YA00000741		SICHELMESSER	46cm	BLADE
2	112	1	1	YA00001067		MESSERSCHRAUBE	M10x30	BLADE BOLT
2	113	2	2	YA00001031		BLECHSCHRAUBE	ST4x10	SELF-TAPPING SCREW
2	114	4	4	YA00001024		BLECHSCHRAUBE	ST5x20	SELF-TAPPING SCREW
2	115	6	6	YA00000820		BLECHSCHRAUBE	ST5x16	SELF-TAPPING SCREW
2	116	1		YA00001128		FRONTTEIL ROT	Red	FRONT HOOD RED
2	116		1	YA00001079		FRONTTEIL BLAU	Blue	FRONT HOOD BLUE
2	117	1	1	YA00001080		ABDECKUNG		FRONT AXLE COVER
2	118	8	8	YA00000778		BLECHSCHRAUBE	ST4x16	SELF-TAPPING SCREW



Seite / Page	Pos.	EM463S	ELM4621	Teil-Nr. Part No.	Hinweise Notes	Bezeichnung	Spezifikation Specification	Description
3	119	2	2	YA00001049		RADKAPPE	9,5"	WHEEL CAP
3	120	2	2	652023843		6 KANT-SICHERUNGSMUTTER	M8	HEXAGONAL LOCKING NUT
3	121	2	2	YA00000420		SCHEIBE		WASHER
3	122	2	2	YA00001186		KUGELLAGER	1/2"	FLANGED WHEEL BEARING
3	123	2	2	YA00001050		RAD	11"	WHEEL ASSY
3	124	2	2	YA00001186		KUGELLAGER	1/2"	FLANGED WHEEL BEARING
3	125	2	2	YA00001132		RAD-INNENABDECKUNG		WHEEL COVER INSIDE
3	126	2	2	YA00001088		DISTANZRING	1/2"x5mm	SPACER RING
3	127	1	1	YA00001115	CORR.	HINTERACHSE		REAR AXLE
3	128	1	1	YA00000989		GRIFF F. HÖHENVERSTELLUNG		HIGHT ADJUST GRIP
3	129	1	1	YA00000988		FLACHKOPFSCHRAUBE	M4x12	PAN HEAD SCREW
3	130	1	1	YA00001053		HEBEL F. HÖHENVERSTELLUNG		HIGHT ADJUST LEVER
3	131	2	2	YA00000393		6 KANT-SICHERUNGSMUTTER	M5	NYLON INSERT HEX. LOCK NUT
3	132	2	2	YA00000393		6 KANT-SICHERUNGSMUTTER	M5	NYLON INSERT HEX. LOCK NUT
3	133	1	1	YA00000986		PLATTE		HEIGHT ADJUST PLATE
3	134	2	2	YA00000407		6 KANT-SCHRAUBE M. BUND	M5x16	HEX. FLANGE BOLT
3	135	2	2	YA00000407		6 KANT-SCHRAUBE M. BUND	M5x16	HEX. FLANGE BOLT
3	136	2	2	YA00001117		SICHERUNGSRING	S-12	RETAINING RING
3	137	1	1	YA00001130		ZAHNRAD	13	SPUR GEAR
3	138	2	2	YA00001131		SPANNSTIFT	5-25	COLUMN PIN
3	139	2	2	YA00001117		SICHERUNGSRING	S-12	RETAINING RING
3	140	2	2	YA00001118		KUGELLAGER	ID=12	FLANGED WHEEL BEARING
3	141	2	2	YA00001119		SICHERUNGSRING	S-34	RETAINING RING
3	142	4	4	D652023758		BLECHSCHRAUBE	5x16	SELF-TAPPING SCREW
3	143	2	2	YA00001120		LAGERGEHÄUSE		REAR AXLE MOUNT
3	144	1	1	YA00001133		ZAHNRAD	13	SPUR GEAR 13 LEFT
3	145	1	1	YA00000851		FEDERSTECKER	7	R-PIN
3	146	1	1	YA00001018		STIFT	7	PIN
3	147	1	1	YA00001127		VERBINDUNGSSTANGE		CONNECTING ROD
3	148	2	2	YA00001081		RADKAPPE	7"	WHEEL CAP
3	149	2	2	652023843		6 KANT-SICHERUNGSMUTTER	M8	HEXAGONAL LOCKING NUT
3	150	2	2	YA00000420		SCHEIBE		WASHER
3	151	2	2	YA00001100		NYLONHÜLSE		NYLON SLEEVE
3	152	2	2	YA00001082		RAD	8"	WHEEL
3	153	2	2	YA00001100		NYLONHÜLSE		NYLON SLEEVE
3	154	1	1	YA00001085		VORDERACHSE		FRONT AXLE
3	155	2	2	YA00001084		SPIRALFEDER		HEIGHT ADJUST ASSIST SPRING
3	156	2	2	YA00001083		LAGERSCHALE		FRONT AXLE MOUNT UPPER
3	157	2	2	YA00001025		FIXIERUNG		FRONT AXLE MOUNT LOWER
3	158	1	1	YA00000851		FEDERSTECKER	7	R-PIN
3	159	1	1	YA00001018		STIFT	7	PIN
3	160	1		YA00001040		GRASFANGKORB KPL.	60L DOLMAR INC. 161-168	GRASS CATCHER ASSEMBLY
3	160		1	YA00001039		GRASFANGKORB KPL.	60L Makita INC. 161-168	GRASS CATCHER ASSEMBLY
3	161	1		YA00001042		GRASFANGKORB	DOLMAR	GRASS CATCH SIDE CLOSS SET DOL
3	161		1	YA00001041		GRASFANGKORB	Makita	GRASS CATCH SIDE CLOSS SET MAK
3	162	1		YA00000792		FÜLLSTANDSANZEIGER ROT	Red	GRASS CATCHER INDICATOR RED
3	162		1	YA00000791		FÜLLSTANDSANZEIGER BLAU	Blue	GRASS CATCHER INDICATOR BLUE
3	163	1	1	YA00001043		HECKKLAPPE		GRASS CATCHER UPPER BOARD
3	164	1	1	YA00000795		GRIFF		GRIP
3	165	2	2	YA00000778		BLECHSCHRAUBE	ST4x16	SELF-TAPPING SCREW
3	166	1	1	YA00001111		RAHMEN		GRASS CATCHER FRAME
3	167	6	6	YA00000796		SCHEIBE	4	WASHER
3	168	6	6	YA00000778		BLECHSCHRAUBE	ST4x16	SELF-TAPPING SCREW
3	169	1	1	YA00001047		MULCHKEIL KPL.	INC. 170-174	MULCH PLUG ASSY
3	170	1	1	YA00001048		MULCHKEIL		MULCH PLUG
3	171	1	1	YA00000980		VERSCHLUSS		LATCH HANDLE
3	172	1	1	YA00001112		DRUCKFEDER		COMPRESSION SPRING
3	173	1	1	YA00000982		FEDERAUFNAHME		SPRING RETAINER
3	174	2	2	YA00000778		BLECHSCHRAUBE	ST4x16	SELF-TAPPING SCREW
3	175	1	1	YA00001045		RINGSCHLÜSSEL	SW10-27	SPANNER

EM463S, ELM4621



- 1** Führungsholm
Handle
- 2** Deck, Motor
Deck, motor
- 3** Grasfangkorb, Räder
Grass catcher, wheels

	Zeichenerklärung	Key to symbols
=> 1999999 2000000 => 2003.04 => TI 2003/07 Acc. = { m Corr.	Produktion bis Serien-Nr. Neues Teil ab Serien-Nr. Neues Teil ab Jahr / Monat Siehe Technische Information Jahr / Nr. Zubehör (nicht im Lieferumfang) Keine Serienausführung, jedoch verwendbar Beinhaltet Positions-Nr. Meterware Druckfehlerberichtigung	Production to serial number New part from serial number New part from Year / Month See Technical Information Year / No. Accessories (not included in the delivery inventory) No standard execution, may be used Contains item number Sold by the meter Error correction
	Änderungen vorbehalten	Specifications subject to change without notice