

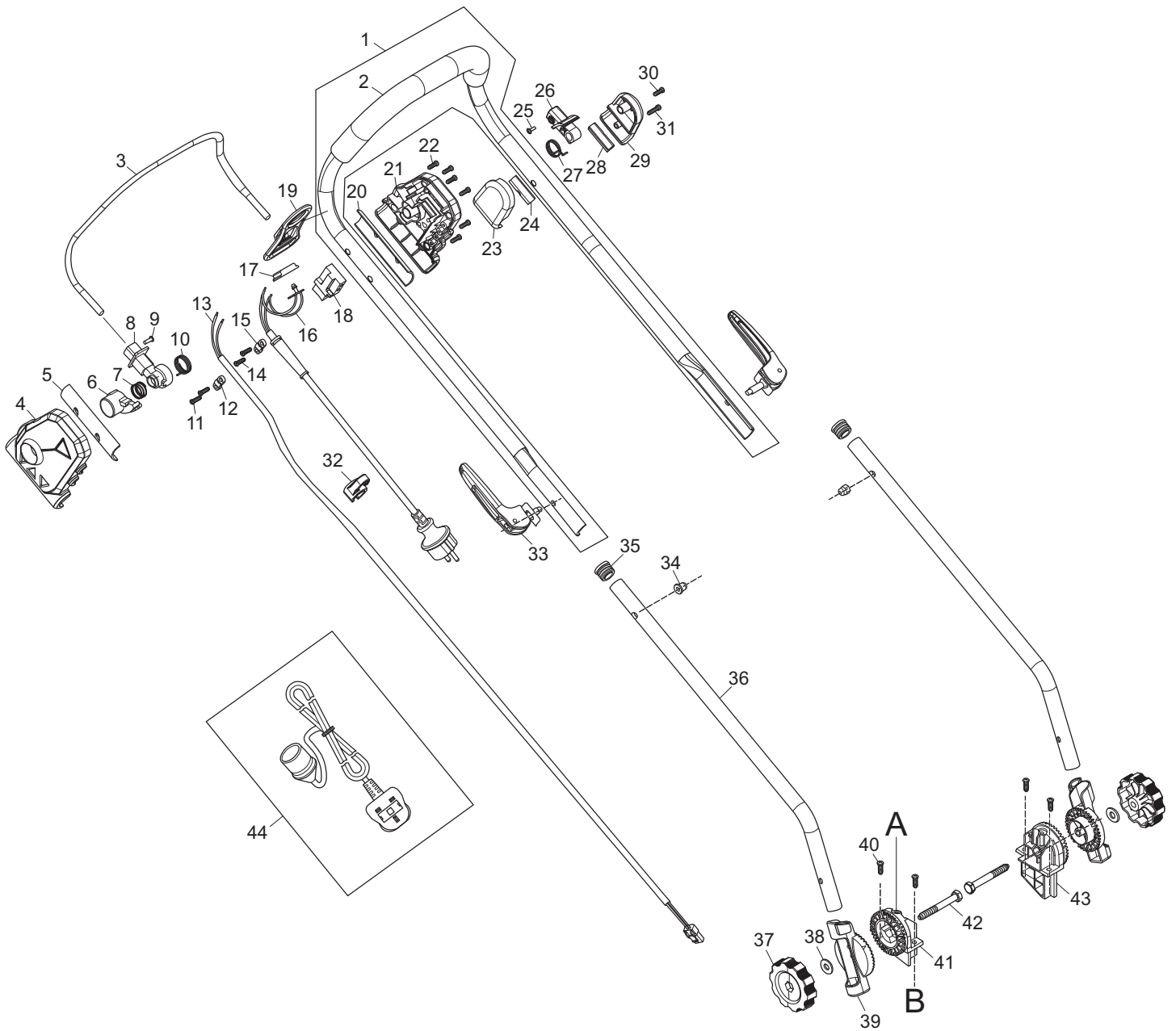


# Ersatzteilliste Spare Parts List

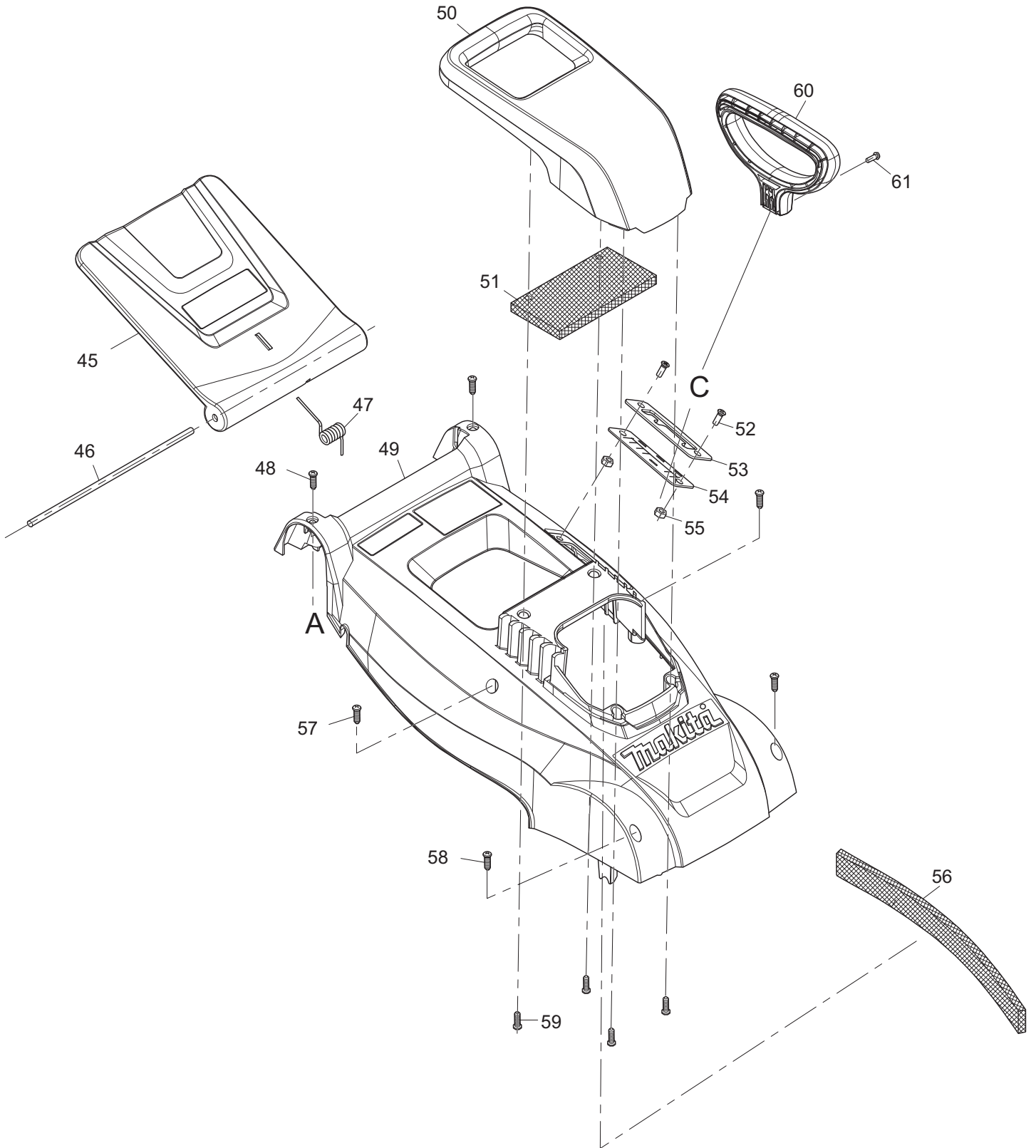
2019-06

**EM331**  
**ELM3320**

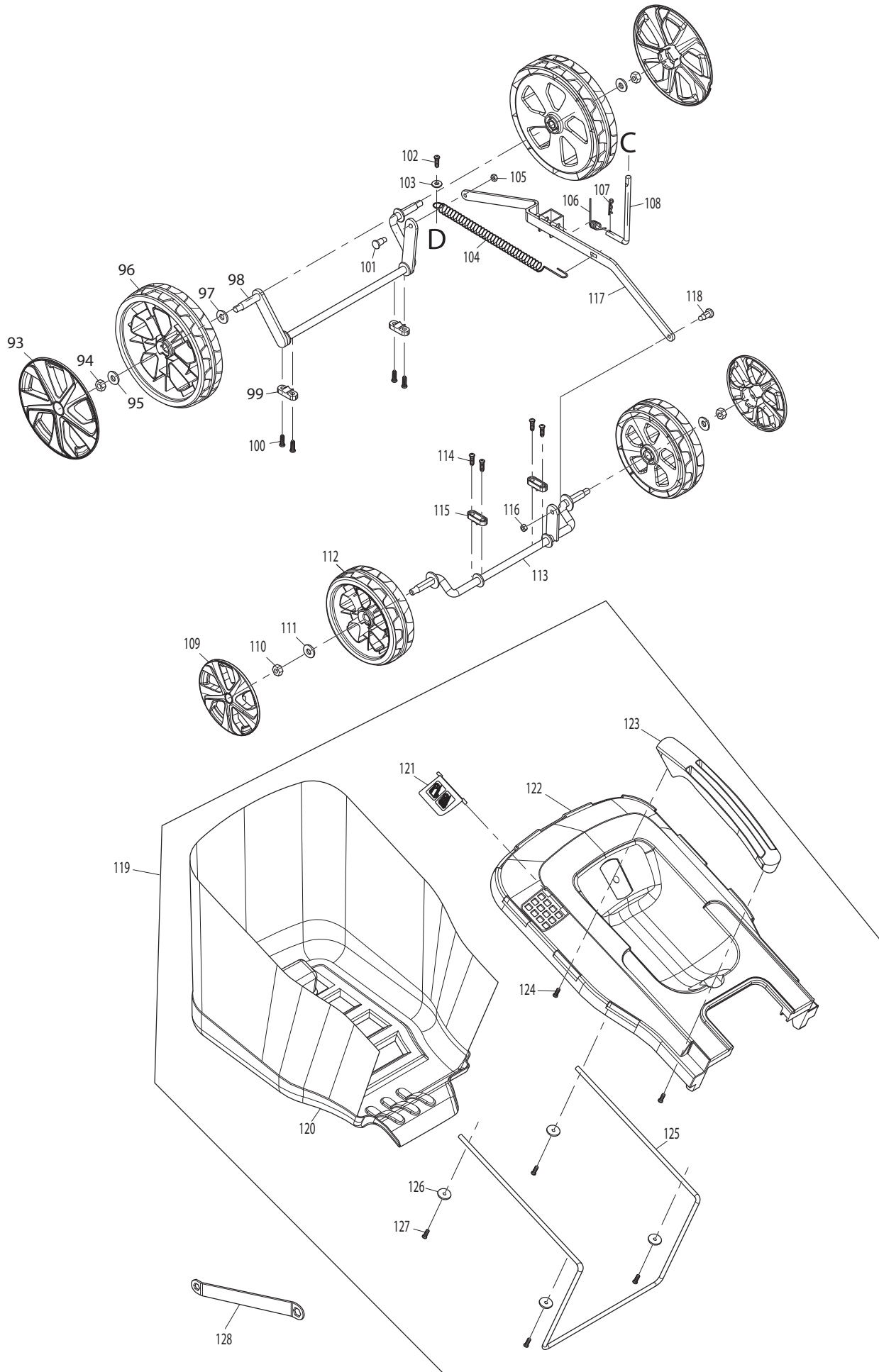
ELM3320, EM331 (D, GB)



Seite / Page	Pos.	EM331	ELM3320	Teil-Nr. Part No.	Hinweise Notes	Bezeichnung	Spezifikation Specification	Description
1	1	1	1	YA00000783		OBERHOLM	INC. 2	UPPER HANDLE BAR ASSY
1	2	1	1	YA00001163		SCHAUMSTOFFGRIFF		SPONGE GRIP
1	3	1	1	YA00000784		SCHALTBÜGEL		SWITCH LEVER
1	4	1	1	YA00000765		SCHALTERGEHÄUSE RECHTS		SWITCH BOX, RIGHT
1	5	1	1	YA00000786		DRUCKPLATTE		SWITCH BOX CLAMP SPACER
1	6	1	1	YA00000766		SCHALTKNOPF		SWITCH LINK BUTTON
1	7	1	1	YA00000767		DRUCKFEDER	16.8	COMPRESSION SPRING
1	8	1	1	YA00000768		STECKVERBINDUNG RECHTS		SWITCH LEVER END CAP RIGHT
1	9	1	1	652024721		SCHRAUBE	3,5x10	SCREW
1	10	1	1	YA00000769		SPIRALFEDER	21	SWITCH TORSION SPRING
1	11	2	2	YA00000778		BLECHSCHRAUBE	ST4x16	SELF-TAPPING SCREW
1	12	1	1	YA00000780		KABELKLEMME		CORD CLAMP
1	13	1	1	YA00000771		VERBINDUNGSKABEL		POWER SUPPLY CORD ASSY
1	14	2	2	YA00000778		BLECHSCHRAUBE	ST4x16	SELF-TAPPING SCREW
1	15	1	1	YA00000780		KABELKLEMME		CORD CLAMP
1	16	1	1	YA00000773		ANSCHLUSSLEITUNG	Europa	POWER SUPPLY CORD UNIT
1	17	1	1	YA00000781		ANZEIGE		INDICATOR LENS
1	18	1	1	YA00000772		SCHALTER		SWITCH
1	19	1	1	652023811		KABELHALTERUNG		CABLE HANGER
1	20	1	1	YA00000786		DRUCKPLATTE		SWITCH BOX CLAMP SPACER
1	21	1	1	YA00000782		SCHALTERGEHÄUSE LINKS		SWITCH BOX, LEFT
1	22	6	6	YA00000778		BLECHSCHRAUBE	ST4x16	SELF-TAPPING SCREW
1	23	1	1	652023795		GRIFFTRÄGER RECHTS		RIGHT HANDLE SUPPORT
1	24	1	1	YA00000787		DRUCKPLATTE		LEVER BOX CLAMP SPACER
1	25	1	1	652024721		SCHRAUBE	3,5x10	SCREW
1	26	1	1	652023794		STECKVERBINDUNG LINKS		SWITCH LEVER END LEFT
1	27	1	1	YA00000737		SPIRALFEDER		TORSION SPRING
1	28	1	1	YA00000787		DRUCKPLATTE		LEVER BOX CLAMP SPACER
1	29	1	1	652023793		GRIFFTRÄGER LINKS		LEFT HANDLE SUPPORT
1	30	1	1	YA00000778		BLECHSCHRAUBE	ST4x16	SELF-TAPPING SCREW
1	31	1	1	YA00000785		BLECHSCHRAUBE	ST4x25	SELF-TAPPING SCREW
1	32	1	1	YA00000799		KABELSCHELLE		CABLE CLIP
1	33	2	2	YA00000801		VERSTELLGRIFF		TENSION LEVER ASSY
1	34	2	2	YA00000802		6 KANT-HUTMUTTER	M6	HEX. FLANGE CAP NUT
1	35	2	2	YA00001166		ROHRSTOPFEN		PIPE END CAP
1	36	2	2	YA00001167		UNTERHOLM		LOWER HANDLE
1	37	2	2	YA00000803		STERNGRIFF	M8	KNOB
1	38	2	2	YA00000420		SCHEIBE		WASHER
1	39	2	2	YA00000804		WINKELGELENK OBEN		ANGLE ADJUSTMENT JOINT UPPER
1	40	4	4	YA00000806		BLECHSCHRAUBE	ST5x20	SELF-TAPPING SCREW
1	41	1	1	YA00000805		WINKELGELENK RECHTS	R	ANGLE ADJUSTMENT JOINT LOWER R
1	42	2	2	YA00000807		6 KANT-SCHRAUBE	M8x65	HEX. BOLT
1	43	1	1	YA00000808		WINKELGELENK LINKS	L	ANGLE ADJUSTMENT JOINT LOWER L



Seite / Page	Pos.	EM331	ELM3320	Teil-Nr. Part No.	Hinweise Notes	Bezeichnung	Spezifikation Specification	Description
2	45	1		YA00000833		HECKKLAPPE ROT	Red	REAR FLAP
2	45		1	YA00000832		HECKKLAPPE BLAU	Blue	REAR FLAP
2	46	1	1	YA00000830		SCHARNIERSTIFT		REAR GUARD SHAFT
2	47	1	1	YA00000831		SPIRALFEDER	7.7	REAR FLAP TORSION SPRING
2	48	2	2	YA00000821		BLECHSCHRAUBE	ST4x16	SELF-TAPPING SCREW
2	49	1		YA00000839		GEHÄUSE ROT	Red	HOUSING ASSY
2	49		1	YA00000838		GEHÄUSE BLAU	Blue	HOUSING ASSY
2	50	1	1	YA00000834		MOTORABDECKUNG		TOP COVER
2	51	1	1	YA00000841		SCHAUMSTOFF		SPONGE CUSHION
2	52	2	2	YA00000398		SENKSCHEIBE	5x14	COUNTERSUNK SCREW
2	53	1	1	YA00000835		SEKTOR F. HÖHENVERSTELLUNG		HEIGHT ADJUSTER STOP PLATE
2	54	1	1	YA00000836		GUMMIPLATTE		STOP PLATE RUBBER SHEET
2	55	2	2	YA00000837		6 KANT-SICHERUNGSMUTTER	M5	NYLON INSERT HEX. LOCK NUT
2	56	1	1	YA00000840		SCHAUMSTOFF		SPONGE CUSHION
2	57	2	2	YA00000821		BLECHSCHRAUBE	ST4x16	SELF-TAPPING SCREW
2	58	2	2	YA00000821		BLECHSCHRAUBE	ST4x16	SELF-TAPPING SCREW
2	59	4	4	YA00000820		BLECHSCHRAUBE	ST5x16	SELF-TAPPING SCREW
2	60	1	1	YA00000848		GRIFF F. HÖHENVERSTELLUNG		HIGHT ADJUST GRIP
2	61	1	1	YA00000849		FLACHKOPFSCHRAUBE	M4x10	PAN HEAD SCREW

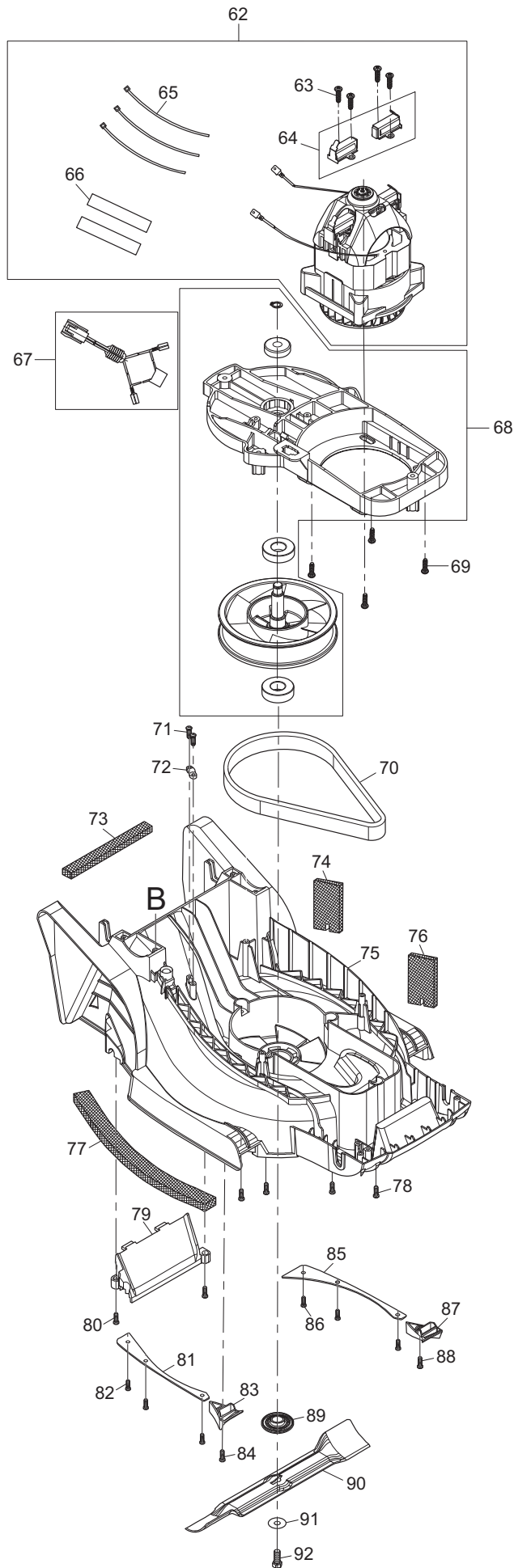


EM331, ELM3320

3

Grasfangkorb, Räder  
Grass catcher, wheels

Seite / Page	Pos.	EM331	ELM3320	Teil-Nr. Part No.	Hinweise Notes	Bezeichnung	Spezifikation Specification	Description
3	93	2	2	YA00000809		RADKAPPE	6"	WHEEL CAP
3	94	2	2	652023843		SICHERUNGSMUTTER	M8	SELF-LOCKING NUT
3	95	2	2	YA00000420		SCHEIBE		WASHER
3	96	2	2	YA00000810		RAD	7"	WHEEL
3	97	1	1	YA00000856		SCHEIBE	10	SPACER WASHER
3	98	1	1	YA00000812		HINTERACHSE		REAR AXLE
3	99	2	2	YA00000811		FIXIERUNG		AXLE RETAINER
3	100	4	4	YA00000820		BLECHSCHRAUBE	ST5x16	SELF-TAPPING SCREW
3	101	1	1	YA00000843		STUFENBOLZEN	M6x16	STEPPED HEX. BOLT
3	102	1	1	YA00000820		BLECHSCHRAUBE	ST5x16	SELF-TAPPING SCREW
3	103	1	1	YA00000845		SCHEIBE	5	WASHER
3	104	1	1	YA00000844		ZUGFEDER	11	TENSION SPRING
3	105	1	1	YA00000627		SICHERUNGSMUTTER	M6	SELF-LOCKING NUT
3	106	1	1	YA00000852		SPIRALFEDER	8	TORSION SPRING
3	107	1	1	YA00000851		FEDERSTECKER	7	R-PIN
3	108	1	1	YA00000850		HEBEL F. HÖHENVERSTELLUNG		HIGHT ADJUST LEVER
3	109	2	2	YA00000853		RADKAPPE	4,5"	WHEEL CAP
3	110	2	2	652023843		SICHERUNGSMUTTER	M8	SELF-LOCKING NUT
3	111	2	2	YA00000420		SCHEIBE		WASHER
3	112	2	2	YA00000854		RAD	5,5"	WHEEL
3	113	1	1	YA00000855		VORDERACHSE		FRONT AXLE
3	114	4	4	YA00000820		BLECHSCHRAUBE	ST5x16	SELF-TAPPING SCREW
3	115	2	2	YA00000811		FIXIERUNG		AXLE RETAINER
3	116	1	1	YA00000627		SICHERUNGSMUTTER	M6	SELF-LOCKING NUT
3	117	1	1	YA00000842		VERBINDUNGSSTANGE		CONNECTING ROD
3	118	1	1	YA00000843		STUFENBOLZEN	M6x16	STEPPED HEX. BOLT
3	119	1		YA00000788		GRASFANGKORB KPL.	30L DOLMAR INC. 120-127	GRASS BOX ASSY
3	119		1	YA00001156		GRASFANGKORB KPL.	30L Makita INC. 120-127	GRASS BOX ASSY
3	120	1		YA00000790		GRASFANGKORB	DOLMAR	GRASS CATCH SIDE CLOSS SET DOL
3	120		1	YA00000789		GRASFANGKORB	Makita	GRASS CATCH SIDE CLOSS SET MAK
3	121	1		YA00000792		FÜLLSTANDSANZEIGER	Red	GRASS CATCHER INDICATOR RED
3	121	1	1	YA00000791		FÜLLSTANDSANZEIGER	Blue	GRASS CATCHER INDICATOR BLUE
3	122	1	1	YA00000793		HECKKLAPPE		GRASS CATCHER UPPER BOARD
3	123	1	1	YA00000795		GRIFF		GRIP
3	124	2	2	YA00000794		BLECHSCHRAUBE	ST4x14	SELF-TAPPING SCREW
3	125	1	1	YA00000797		RAHMEN		GRASS CATCHER FRAME
3	126	4	4	YA00000796		SCHEIBE	4	WASHER
3	127	4	4	YA00000794		BLECHSCHRAUBE	ST4x14	SELF-TAPPING SCREW
3	128	1	1	YA00000798		RINGSCHLÜSSEL	SW10-13	SPANNER





EM331, ELM3320

4

Motor  
Motor

Seite / Page	Pos.	EM331	ELM3320	Teil-Nr. Part No.	Hinweise Notes	Bezeichnung	Spezifikation Specification	Description
4	62	1	1	YA00001164		MOTOR KPL.	230V 1200W INC. 63-66	MOTOR ASSY
4	63	4	4	YA00000813		BLECHSCHRAUBE	ST4x10	SELF-TAPPING SCREW
4	64	1	1	YA00000814		KOHLEBÜRSTEN-SET	2 PCS/SET	CARBON BRUSH
4	65	3	3	YA00001174		KABELBINDER		CABLE TIE
4	66	2	2	YA00001173		SCHRUMPFSCHLAUCH		HEAT SHRINKABLE TUBE
4	67	1	1	YA00001172		KABELSATZ		LEAD WIRE SET
4	68	1	1	YA00001169		MOTORTRÄGER KPL.		MOTOR FRAME & PULLEY ASSY
4	69	4	4	YA00000806		BLECHSCHRAUBE	ST5x20	SELF-TAPPING SCREW
4	70	1	1	YA00001168		RIEMEN		BELT
4	71	2	2	YA00000821		BLECHSCHRAUBE	ST4x16	SELF-TAPPING SCREW
4	72	1	1	YA00000780		KABELKLEMME		CORD CLAMP
4	73	1	1	YA00000857		SCHAUMSTOFF		SPONGE CUSHION
4	74	1	1	YA00000819		SCHAUMSTOFF		SPONGE CUSHION
4	75	1	1	YA00000818		DECK		DECK
4	76	1	1	YA00000819		SCHAUMSTOFF		SPONGE CUSHION
4	77	1	1	YA00000841		SCHAUMSTOFF		SPONGE CUSHION
4	78	4	4	YA00000806		BLECHSCHRAUBE	ST5x20	SELF-TAPPING SCREW
4	79	1	1	YA00000822		GRASFÜHRUNGSPLATTE		GRASS INTAKE UNDER PLATE
4	80	2	2	YA00000820		BLECHSCHRAUBE	ST5x16	SELF-TAPPING SCREW
4	81	1	1	YA00000823		STREBE RECHTS		UNDER BRACE RIGHT
4	82	3	3	YA00000820		BLECHSCHRAUBE	ST5x16	SELF-TAPPING SCREW
4	83	1	1	YA00000824		LUFTFÜHRUNG RECHTS		AIR INTAKE BOARD RIGHT
4	84	1	1	YA00000820		BLECHSCHRAUBE	ST5x16	SELF-TAPPING SCREW
4	85	1	1	YA00000846		STREBE LINKS		UNDER BRACE LEFT
4	86	3	3	YA00000820		BLECHSCHRAUBE	ST5x16	SELF-TAPPING SCREW
4	87	1	1	YA00000847		LUFTFÜHRUNG LINKS		AIR INTAKE BOARD LEFT
4	88	1	1	YA00000820		BLECHSCHRAUBE	ST5x16	SELF-TAPPING SCREW
4	89	1	1	YA00000825		MESSERHALTER	45	INNER FLANGE
4	90	1	1	YA00000745		SICHELMESSER	33cm	BLADE
4	91	1	1	YA00000826		DRUCKSCHEIBE	8	CLAMP WASHER
4	92	1	1	YA00000827		MESSERSCHRAUBE	M8x25	HEX. BOLT

EM331, ELM3320



- 1** Führungsholm  
Handle
- 2** Gehäuse  
Housing
- 3** Grasfangkorb, Räder  
Grass catcher, wheels
- 4** Motor  
Motor

	<b>Zeichenerklärung</b>	<b>Key to symbols</b>
<b>=&gt; 1999999</b> <b>2000000 =&gt;</b> <b>2003.04 =&gt;</b> <b>TI 2003/07</b> <b>Acc.</b> <b>=</b> <b>{</b> <b>m</b> <b>Corr.</b>	Produktion bis Serien-Nr. Neues Teil ab Serien-Nr. Neues Teil ab Jahr / Monat Siehe Technische Information Jahr / Nr. Zubehör (nicht im Lieferumfang) Keine Serienausführung, jedoch verwendbar Beinhaltet Positions-Nr. Meterware Druckfehlerberichtigung	Production to serial number New part from serial number New part from Year / Month See Technical Information Year / No. Accessories (not included in the delivery inventory) No standard execution, may be used Contains item number Sold by the meter Error correction
	Änderungen vorbehalten	Specifications subject to change without notice