

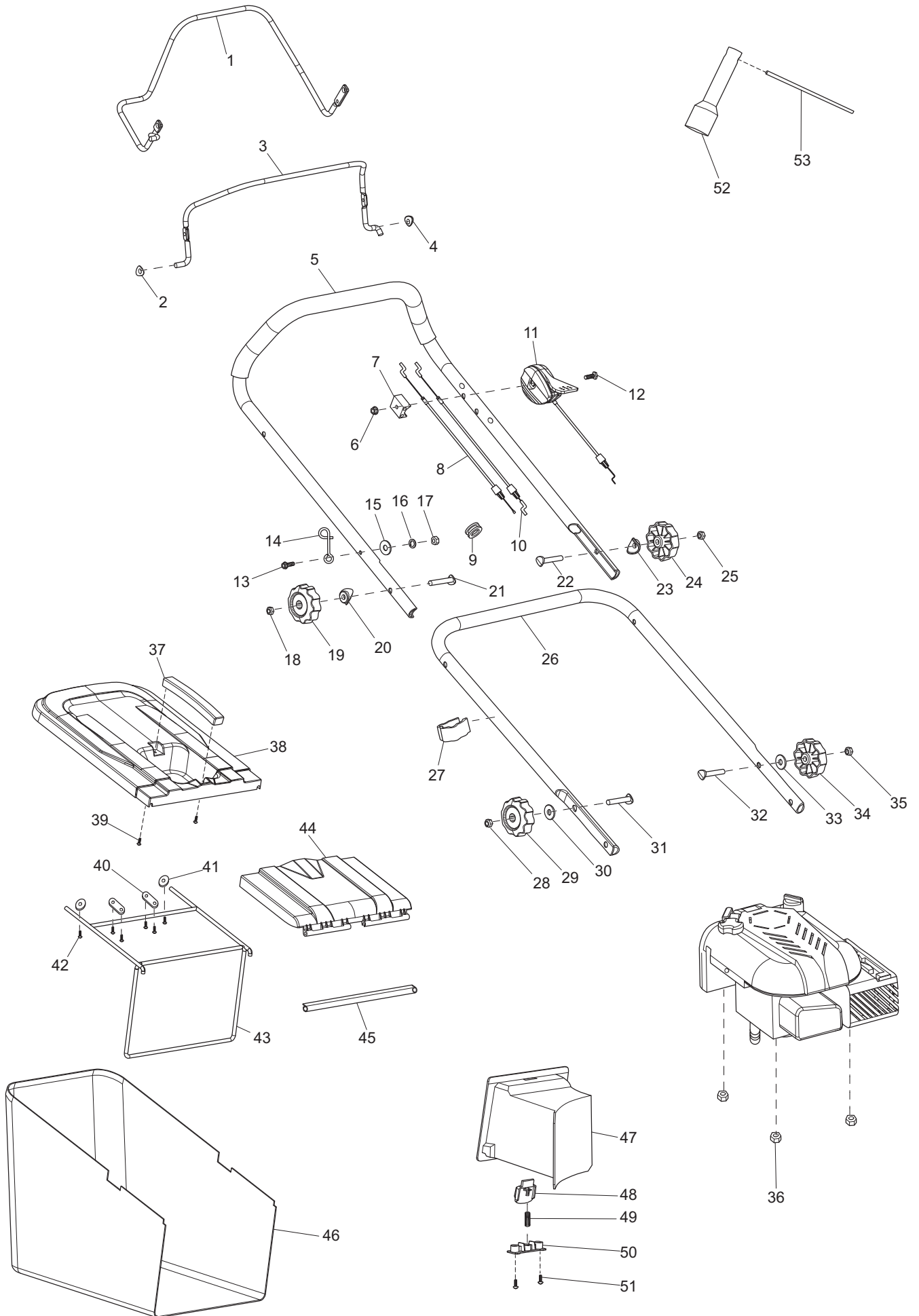


Ersatzteilliste  
Spare Parts List

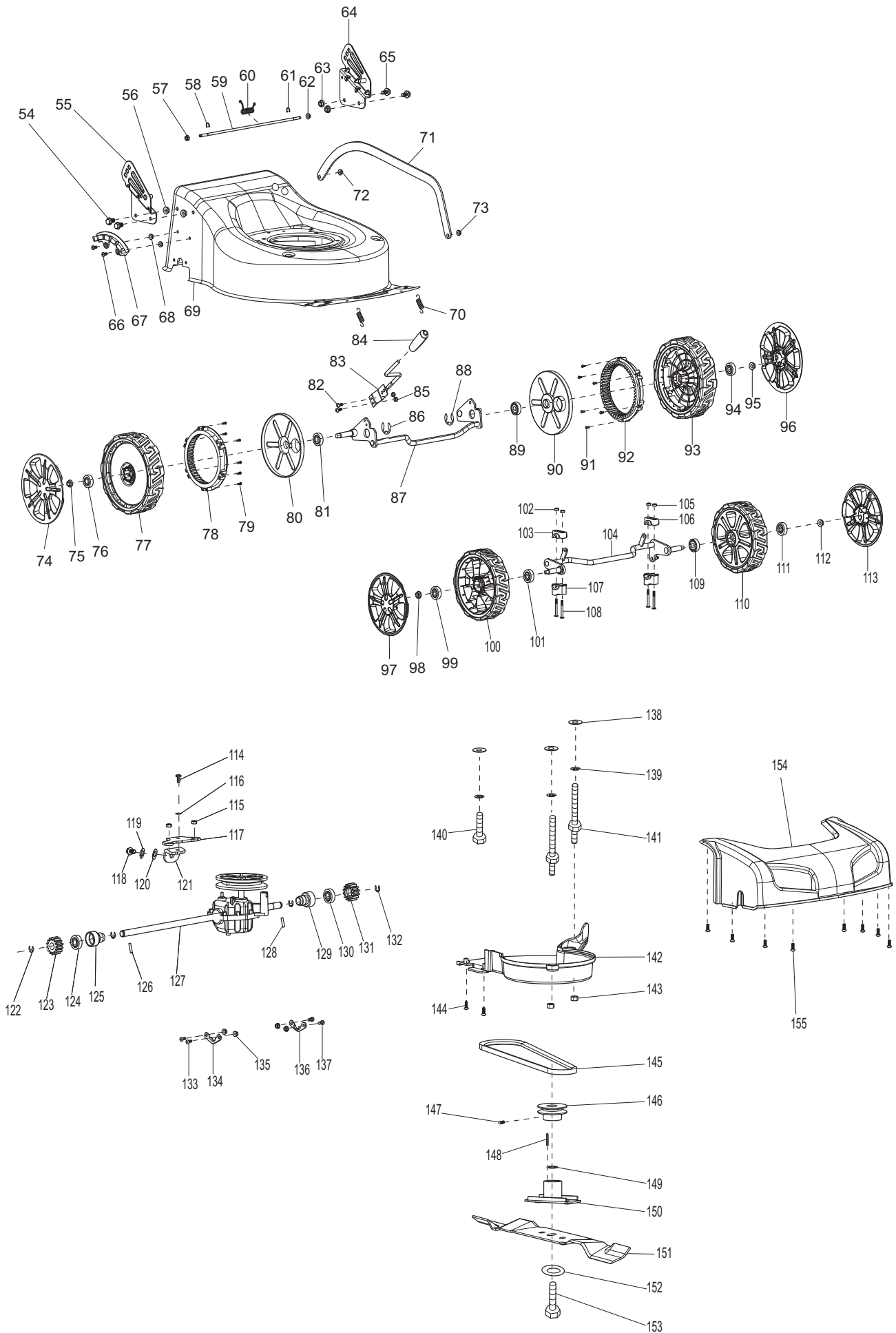
2018-05

PM4601SR

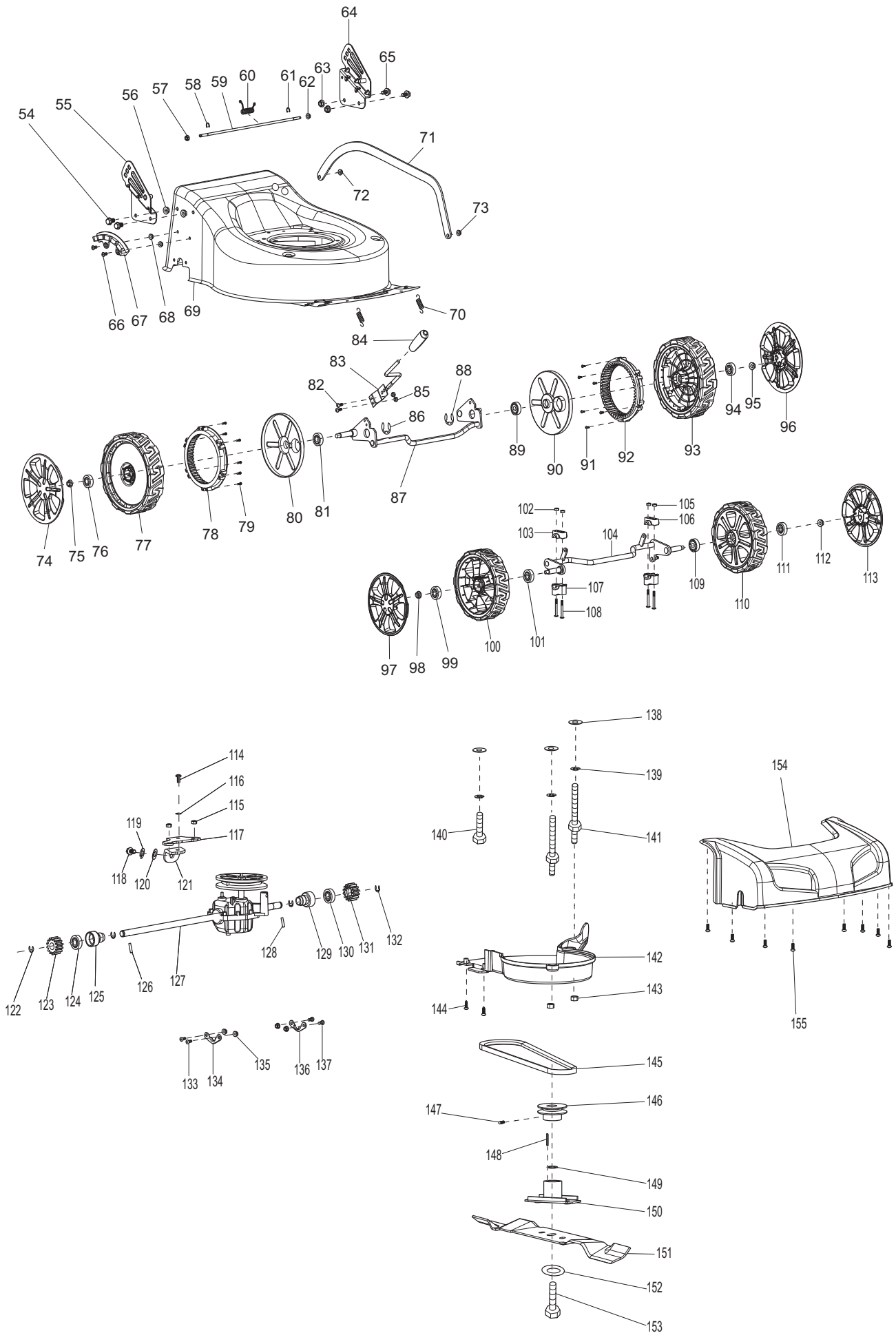
PM4601SR (D, GB)



| Seite / Page | Pos. | PM4601SR | Teil-Nr.<br>Part No. | Hinweise<br>Notes | Bezeichnung                         | Spezifikation<br>Specification | Description                 |
|--------------|------|----------|----------------------|-------------------|-------------------------------------|--------------------------------|-----------------------------|
| 1            | 1    | 1        | DA00000964           |                   | HEBEL F. ANTRIEB                    |                                | DRIVING POLE                |
| 1            | 2    | 1        | 671001524            |                   | DRUCKPLATTE                         |                                | PRESSURE PLATE              |
| 1            | 3    | 1        | DA00000961           |                   | HEBEL F. MOTORBREMSE                |                                | FRAMEOUT POLE               |
| 1            | 4    | 1        | 671001524            |                   | DRUCKPLATTE                         |                                | PRESSURE PLATE              |
| 1            | 5    | 1        | 671002001            |                   | HOLM OBERTEIL                       | BLACK                          | HANDLE, UPPER PART          |
| 1            | 6    | 1        | 671050160            |                   | SECHSKANTMUTTER                     | M6                             | HEXAGONAL LOCKING NUT       |
| 1            | 7    | 1        | DA00000573           |                   | KABELHALTER                         |                                | CABLE HOLDER                |
| 1            | 8    | 1        | DA00000977           |                   | BOWDENZUG RADANTRIEB                | 18"                            | CONTROL CABLE (WHEEL DRIVE) |
| 1            | 9    | 1        | 671800104            |                   | GUMMITULLE                          |                                | CORD PROTECTING SHEATH      |
| 1            | 10   | 1        | DA00001155           |                   | BOWDENZUG MOTORBREMSE               |                                | FRAMEOUT CORD ASSY          |
| 1            | 11   | 1        | DA00001156           |                   | MOTORFERNBEDIENUNG MIT<br>BOWDENZUG |                                | THROTTLE HANDLE ASS'Y       |
| 1            | 12   | 1        | DA00000572           |                   | SCHRAUBE                            | M6x50                          | BOLT                        |
| 1            | 13   | 1        | DA00000577           |                   | SCHRAUBE                            | M6x35                          | BOLT                        |
| 1            | 14   | 1        | 671001647            |                   | HAKEN                               |                                | CABLE HOOK                  |
| 1            | 15   | 1        | 671007008            |                   | SCHEIBE                             | Ø16xØ8x0,8                     | WASHER                      |
| 1            | 16   | 1        | 671008003            |                   | FEDERSCHEIBE                        | Ø6,65                          | SPRING WASHER               |
| 1            | 17   | 1        | 671050160            |                   | SECHSKANTMUTTER                     | M6                             | HEXAGONAL LOCKING NUT       |
| 1            | 18   | 1        | 671005023            |                   | SECHSKANTMUTTER                     | M8                             | HEXAGONAL NUT               |
| 1            | 19   | 1        | DA00000564           |                   | STERNGRIFF                          |                                | STAR KNOB                   |
| 1            | 20   | 1        | DA00000924           |                   | SCHEIBE                             |                                | WASHER                      |
| 1            | 21   | 1        | DA00000569           |                   | FLACHKOPFSCHRAUBE                   | M8x58                          | FLAT HEAD BOLT              |
| 1            | 22   | 1        | DA00000569           |                   | FLACHKOPFSCHRAUBE                   | M8x58                          | FLAT HEAD BOLT              |
| 1            | 23   | 1        | DA00000924           |                   | SCHEIBE                             |                                | WASHER                      |
| 1            | 24   | 1        | DA00000564           |                   | STERNGRIFF                          |                                | STAR KNOB                   |
| 1            | 25   | 1        | 671005023            |                   | SECHSKANTMUTTER                     | M8                             | HEXAGONAL NUT               |
| 1            | 26   | 1        | 671001606            |                   | HOLM UNTERTEIL                      |                                | HANDLE, LOWER PART          |
| 1            | 27   | 1        | 671611001            |                   | BOWDENZUGHALTER                     |                                | BOWDEN CABLE CLAMP          |
| 1            | 28   | 1        | 671005023            |                   | SECHSKANTMUTTER                     | M8                             | HEXAGONAL NUT               |
| 1            | 29   | 1        | DA00000564           |                   | STERNGRIFF                          |                                | STAR KNOB                   |
| 1            | 30   | 1        | 671007007            |                   | SCHEIBE                             | Ø8                             | WASHER                      |
| 1            | 31   | 1        | DA00000880           |                   | FLACHKOPFSCHRAUBE                   | M8x35                          | FLAT HEAD BOLT              |
| 1            | 32   | 1        | DA00000880           |                   | FLACHKOPFSCHRAUBE                   | M8x35                          | FLAT HEAD BOLT              |
| 1            | 33   | 1        | 671007007            |                   | SCHEIBE                             | Ø8                             | WASHER                      |
| 1            | 34   | 1        | DA00000564           |                   | STERNGRIFF                          |                                | STAR KNOB                   |
| 1            | 35   | 1        | 671005023            |                   | SECHSKANTMUTTER                     | M8                             | HEXAGONAL NUT               |
| 1            | 36   | 3        | DA00000537           |                   | SECHSKANTMUTTER                     | M8                             | HEXAGONAL LOCKING NUT       |
| 1            | 37   | 1        | 671454001            |                   | HANDGRIFF                           |                                | HANDLE OF GRASS CATCHER     |
| 1            | 38   | 1        | 671467001            |                   | KORB OBERTEIL                       |                                | GRASS-BOX, UPPER            |
| 1            | 39   | 2        | DA00000326           |                   | SCHRAUBE SELBSTSCHNEIDEND           | 5X16                           | SELF-TAPPING SCREW          |
| 1            | 40   | 2        | DA00000335           |                   | DRUCKPLATTE                         |                                | AXLE PLATE                  |
| 1            | 41   | 2        | DA00000025           |                   | SCHEIBE                             |                                | TIGHTEN PRESSING PLATE      |
| 1            | 42   | 6        | DA00000888           |                   | SCHRAUBE SELBSTSCHNEIDEND           | 5x12                           | SELF-TAPPING SCREW          |
| 1            | 43   | 1        | 671001443            |                   | RAHMEN                              |                                | GRASS CATCHER BRACKET       |
| 1            | 44   | 1        | 671468001            |                   | HECKKLAPPE                          |                                | REAR COVER BOARD            |
| 1            | 45   | 1        | 671001353            |                   | DRUCKLEISTE                         |                                | PRESSING BAR                |
| 1            | 46   | 1        | DA00000966           |                   | NYLONEINSATZ FÜR FANGKORB           | 60L Nylon, Dolmar<br>Logo      | GRASS CATCHER               |
| 1            | 47   | 1        | 671660001            |                   | MULCHEINSATZ                        | with edge cutting              | MULCHING BLOCK              |
| 1            | 48   | 1        | 671316004            |                   | VERRIEGELUNGSKNOPF                  | 20"                            | LOCKING BUTTON              |
| 1            | 49   | 1        | 671011005            |                   | FEDER                               | Ø8,0xØ0,9x31mm                 | SPRING                      |
| 1            | 50   | 1        | 671317001            |                   | DRUCKPLATTE                         |                                | PRESSURE PLATE              |
| 1            | 51   | 2        | DA00000603           |                   | BLECHSCHRAUBE                       | 4x16                           | SELF-TAPPING SCREW          |
| 1            | 52   | 1        | 671001612            |                   | STECKSCHLÜSSEL                      | 16mm                           | BOX SPANNER                 |
| 1            | 53   | 1        | 671001079            |                   | KNEBEL                              | Ø8x110mm                       | SPANNER POLE                |



| Seite / Page | Pos. | PM4601SR | Teil-Nr.<br>Part No. | Hinweise<br>Notes | Bezeichnung                   | Spezifikation<br>Specification       | Description                             |
|--------------|------|----------|----------------------|-------------------|-------------------------------|--------------------------------------|---|
| 2            | 54   | 2        | 671006064            |                   | SECHSKANTSCHRAUBE             | M8x6                                 | HEXAGON HEAD BOLT                       |
| 2            | 55   | 1        | 671001213            |                   | GRIFFANBINDUNG, RECHTS        | DOLMAR ROT                           | BRACKET HANDLE, RIGHT                   |
| 2            | 56   | 2        | DA00000537           |                   | SECHSKANTMUTTER               | M8                                   | HEXAGONAL LOCKING NUT                   |
| 2            | 57   | 1        | DA00000543           |                   | SECHSKANTMUTTER               | M6                                   | HEXAGONAL LOCKING NUT                   |
| 2            | 58   | 1        | 671009017            |                   | KLEMMRING                     |                                      | OPEN BLOCK RING                         |
| 2            | 59   | 1        | 671001518            |                   | STANGE F. GRASKLAPPE          |                                      | LONG POLE                               |
| 2            | 60   | 1        | 671011101            |                   | FEDER                         |                                      | SPRING OF REAR COVER BOARD              |
| 2            | 61   | 1        | 671009017            |                   | KLEMMRING                     |                                      | OPEN BLOCK RING                         |
| 2            | 62   | 1        | DA00000543           |                   | SECHSKANTMUTTER               | M6                                   | HEXAGONAL LOCKING NUT                   |
| 2            | 63   | 2        | DA00000537           |                   | SECHSKANTMUTTER               | M8                                   | HEXAGONAL LOCKING NUT                   |
| 2            | 64   | 1        | 671001212            |                   | GRIFFANBINDUNG, LINKS         | DOLMAR ROT                           | BRACKET HANDLE, LEFT                    |
| 2            | 65   | 2        | 671006064            |                   | SECHSKANTSCHRAUBE             | M8x6                                 | HEXAGON HEAD BOLT                       |
| 2            | 66   | 2        | 671002019            |                   | SCHRAUBE                      | M6x12                                | TRIGGER BOLT                            |
| 2            | 67   | 1        | DA00000787           |                   | DREHPUNKT F. HÖHENVERSTELLUNG |                                      | HEIGHT ADJUSTMENT PLATE                 |
| 2            | 68   | 2        | DA00000543           |                   | SECHSKANTMUTTER               | M6                                   | HEXAGONAL LOCKING NUT                   |
| 2            | 69   | 1        | 671001526            |                   | DECK ROT                      | DOLMAR with<br>edge cutting          | DECK RED                                |
| 2            | 70   | 2        | 671011125            |                   | ZUGFEDER                      |                                      | EXTENSION SPRING OF FRONT WHEEL<br>AXLE |
| 2            | 71   | 1        | DA00001154           |                   | VERBINDUNGSSTANGE             |                                      | LINK ROD                                |
| 2            | 72   | 1        | DA00000549           |                   | SECHSKANTMUTTER               | M6                                   | LOCKING NUT                             |
| 2            | 73   | 1        | DA00000549           |                   | SECHSKANTMUTTER               | M6                                   | LOCKING NUT                             |
| 2            | 74   | 1        | DA00000536           |                   | RADKAPPE                      | 8"                                   | WHEEL COVER                             |
| 2            | 75   | 1        | DA00000537           |                   | SECHSKANTMUTTER               | M8                                   | HEXAGONAL LOCKING NUT                   |
| 2            | 76   | 1        | DA00000538           |                   | KUGELLAGER                    | 6201Z                                | BALL BEARING                            |
| 2            | 77   | 1        | 671020300            |                   | RAD                           | 8"                                   | WHEEL ASS'Y                             |
| 2            | 78   | 1        | 671464001            |                   | ZAHNRAD                       |                                      | TEETH RING                              |
| 2            | 79   | 6        | DA00000603           |                   | BLECHSCHRAUBE                 | 4x16                                 | SELF-TAPPING SCREW                      |
| 2            | 80   | 1        | 671650010            |                   | RADINNENABDECKUNG             |                                      | INNER WHEEL COVER                       |
| 2            | 81   | 1        | DA00000538           |                   | KUGELLAGER                    | 6201Z                                | BALL BEARING                            |
| 2            | 82   | 2        | 671002030            |                   | SCHRAUBE                      | M6x14                                | TRIGGER BOLT                            |
| 2            | 83   | 1        | DA00001174           |                   | HEBEL F. HÖHENVERSTELLUNG     |                                      | LEVER, HEIGHT ADJUSTMENT                |
| 2            | 84   | 1        | DA00001058           |                   | GRIFFUMHÜLLUNG                |                                      | HANDLE SHEATH                           |
| 2            | 85   | 2        | DA00000549           |                   | SECHSKANTMUTTER               | M6                                   | LOCKING NUT                             |
| 2            | 86   | 1        | 671009003            |                   | SICHERUNGSSSCHEIBE            | Ø19x1,5                              | SAFETY WASHER                           |
| 2            | 87   | 1        | DA00001176           |                   | HINTERRADACHSE                |                                      | REAR WHEEL AXIS ASS'Y                   |
| 2            | 88   | 1        | 671009003            |                   | SICHERUNGSSSCHEIBE            | Ø19x1,5                              | SAFETY WASHER                           |
| 2            | 89   | 1        | DA00000538           |                   | KUGELLAGER                    | 6201Z                                | BALL BEARING                            |
| 2            | 90   | 1        | 671650010            |                   | RADINNENABDECKUNG             |                                      | INNER WHEEL COVER                       |
| 2            | 91   | 6        | DA00000603           |                   | BLECHSCHRAUBE                 | 4x16                                 | SELF-TAPPING SCREW                      |
| 2            | 92   | 1        | 671464001            |                   | ZAHNRAD                       |                                      | TEETH RING                              |
| 2            | 93   | 1        | 671020300            |                   | RAD                           | 8"                                   | WHEEL ASS'Y                             |
| 2            | 94   | 1        | DA00000538           |                   | KUGELLAGER                    | 6201Z                                | BALL BEARING                            |
| 2            | 95   | 1        | DA00000537           |                   | SECHSKANTMUTTER               | M8                                   | HEXAGONAL LOCKING NUT                   |
| 2            | 96   | 1        | DA00000536           |                   | RADKAPPE                      | 8"                                   | WHEEL COVER                             |
| 2            | 97   | 1        | 671001176            |                   | RADKAPPE                      | 7"                                   | WHEEL COVER                             |
| 2            | 98   | 1        | DA00000537           |                   | SECHSKANTMUTTER               | M8                                   | HEXAGONAL LOCKING NUT                   |
| 2            | 99   | 1        | DA00000538           |                   | KUGELLAGER                    | 6201Z                                | BALL BEARING                            |
| 2            | 100  | 1        | 671020150            |                   | RAD                           | 7"                                   | WHEEL ASS'Y.                            |
| 2            | 101  | 1        | DA00000538           |                   | KUGELLAGER                    | 6201Z                                | BALL BEARING                            |
| 2            | 102  | 2        | DA00000549           |                   | SECHSKANTMUTTER               | M6                                   | LOCKING NUT                             |
| 2            | 103  | 1        | 671445001            |                   | LAGERSCHALE                   |                                      | BEARING SHELL                           |
| 2            | 104  | 1        | 671001786            |                   | VORDERACHSE                   | with edge cutting                    | FRONT WHEEL AXLE                        |
| 2            | 105  | 2        | DA00000549           |                   | SECHSKANTMUTTER               | M6                                   | LOCKING NUT                             |
| 2            | 106  | 1        | 671445001            |                   | LAGERSCHALE                   |                                      | BEARING SHELL                           |
| 2            | 107  | 2        | 671418001            |                   | LAGERSCHALE                   |                                      | BEARING SHELL                           |
| 2            | 108  | 4        | 671002028            |                   | SCHRAUBE                      | M6x45                                | TRIGGER BOLT                            |
| 2            | 109  | 1        | DA00000538           |                   | KUGELLAGER                    | 6201Z                                | BALL BEARING                            |
| 2            | 110  | 1        | 671020150            |                   | RAD                           | 7"                                   | WHEEL ASS'Y.                            |
| 2            | 111  | 1        | DA00000549           |                   | SECHSKANTMUTTER               | M6                                   | LOCKING NUT                             |
| 2            | 112  | 1        | DA00000537           |                   | SECHSKANTMUTTER               | M8                                   | HEXAGONAL LOCKING NUT                   |
| 2            | 113  | 1        | 671001176            |                   | RADKAPPE                      | 7"                                   | WHEEL COVER                             |
| 2            | 114  | 1        | 671002019            |                   | SCHRAUBE                      | M6x12                                | TRIGGER BOLT                            |
| 2            | 115  | 2        | 671005011            |                   | SECHSKANTMUTTER               | M5                                   | HEXAGONAL LOCKING NUT                   |
| 2            | 116  | 1        | 671008003            |                   | FEDERSCHEIBE                  | Ø6,65                                | SPRING WASHER                           |
| 2            | 117  | 1        | 671001460            |                   | BEFESTIGUNGSBLECH             |                                      | FIXING PLATE                            |
| 2            | 118  | 1        | 671006064            |                   | SECHSKANTSCHRAUBE             | M8x6                                 | HEXAGON HEAD BOLT                       |
| 2            | 119  | 1        | DA00000832           |                   | FEDERRING                     | Ø8                                   | SPRING RING                             |
| 2            | 120  | 1        | 671007007            |                   | SCHEIBE                       | Ø8                                   | WASHER                                  |
| 2            | 121  | 1        | DA00000915           |                   | BEFESTIGUNGSBLECH             | 2                                    | FIXING PLATE                            |
| 2            | 122  | 2        | DA00000604           |                   | SICHERUNGSSSCHEIBE            |                                      | SAFETY WASHER                           |
| 2            | 123  | 1        | DA00001091           |                   | ZAHNRAD                       |                                      | RIGHT GEAR                              |
| 2            | 124  | 1        | DA00001029           |                   | LAGER                         |                                      | BEARING                                 |
| 2            | 125  | 1        | DA00000610           |                   | LAGERGEHÄUSE                  |                                      | BEARING HOUSING                         |
| 2            | 126  | 1        | DA00000597           |                   | ZYLINDERSTIFT                 | Ø5x21,5                              | CYLINDRICAL PIN                         |
| 2            | 127  | 1        | 671502016            |                   | ANTRIEB                       | self-propelled, with<br>edge cutting | GEAR BOX                                |



| Seite / Page | Pos. | PM4601SR | Teil-Nr.<br>Part No. | Hinweise<br>Notes | Bezeichnung               | Spezifikation<br>Specification | Description           |
|--------------|------|----------|----------------------|-------------------|---------------------------|--------------------------------|-----------------------|
| 2            | 128  | 1        | DA00000597           |                   | ZYLINDERSTIFT             | Ø5x21,5                        | CYLINDRICAL PIN       |
| 2            | 129  | 1        | DA00000610           |                   | LAGERGEHÄUSE              |                                | BEARING HOUSING       |
| 2            | 130  | 1        | DA00001029           |                   | LAGER                     |                                | BEARING               |
| 2            | 131  | 1        | DA00001090           |                   | ZAHNRAD LINKS             |                                | GEAR WHEEL, LEFT      |
| 2            | 132  | 2        | DA00000604           |                   | SICHERUNGSSCHEIBE         |                                | SAFETY WASHER         |
| 2            | 133  | 2        | 671002019            |                   | SCHRAUBE                  | M6x12                          | TRIGGER BOLT          |
| 2            | 134  | 1        | 671001244            |                   | FIXIERUNG                 |                                | RING OF AXLE FIXING   |
| 2            | 135  | 4        | DA00000543           |                   | SECHSKANTMUTTER           | M6                             | HEXAGONAL LOCKING NUT |
| 2            | 136  | 1        | 671001244            |                   | FIXIERUNG                 |                                | RING OF AXLE FIXING   |
| 2            | 137  | 2        | 671002019            |                   | SCHRAUBE                  | M6x12                          | TRIGGER BOLT          |
| 2            | 138  | 3        | 671007007            |                   | SCHEIBE                   | Ø8                             | WASHER                |
| 2            | 139  | 3        | DA00000832           |                   | FEDERRING                 | Ø8                             | SPRING RING           |
| 2            | 140  | 1        | 671006025            |                   | SECHSKANTSCHRAUBE         | M8x35                          | HEXAGON BOLT          |
| 2            | 141  | 2        | DA00000617           |                   | SPEZIALSCHRAUBE           | M8x17x35                       | SPECIAL SCREW         |
| 2            | 142  | 1        | 671658001            |                   | RIEMENABDECKUNG           | with edge cutting              | BELT COVER            |
| 2            | 143  | 2        | 671005008            |                   | SECHSKANTMUTTER           | M8                             | HEXAGONAL LOCKING NUT |
| 2            | 144  | 2        | 671001037            |                   | SCHRAUBE SELBSTSCHNEIDEND | 5x16                           | SELF-TAPPING SCREW    |
| 2            | 145  | 1        | 671002043            |                   | KEILRIEMEN                | Li=752mm,<br>La=790mm          | V-BELT                |
| 2            | 146  | 1        | 671004002            |                   | RIEMENSCHLEIFE            | 45                             | PULLEY                |
| 2            | 147  | 1        | DA00000598           |                   | SECHSKANTSCHRAUBE         | M6x8                           | HEXAGON HEAD BOLT     |
| 2            | 148  | 1        | DA00000535           |                   | PASSFEDER                 | 4,8x4,7x46,5                   | FLAT KEY              |
| 2            | 149  | 1        | 671002092            |                   | BUCHSE                    |                                | BUSH                  |
| 2            | 150  | 1        | 671015252            |                   | MESSERHALTER              |                                | BLADE SUPPORT         |
| 2            | 151  | 1        | 671014610            |                   | SICHELMESSER              | 46cm                           | BLADE                 |
| 2            | 152  | 1        | DA00000529           |                   | SCHEIBE                   |                                | LID SHAPE WASHER      |
| 2            | 153  | 1        | 671006065            |                   | MESSERSCHRAUBE            | 3/8 USN 24<br>L=30mm           | BLADE TIGHTEN SCREW   |
| 2            | 154  | 1        | 671659001            |                   | FRONTTEIL                 | BLACK with edge<br>cutting     | FRONT COVER           |
| 2            | 155  | 8        | DA00000911           |                   | BLECHSCHRAUBE             | 4,2x10                         | SELF-TAPPING SCREW    |

PM4601SR



- 1** Führungsholm  
Guide tube
  
- 2** Deck, Räder, Messer  
Deck, wheels, blade

|  | <b>Zeichenerklärung</b>  | <b>Key to symbols</b>   |
|--|--|---|
| <b>=&gt; 1999999</b><br><b>2000000 =&gt;</b><br><b>2003.04 =&gt;</b><br><b>TI 2003/07</b><br><b>Acc.</b><br><b>=</b><br><b>{</b><br><b>m</b><br><b>Corr.</b> | Produktion bis Serien-Nr.<br>Neues Teil ab Serien-Nr.<br>Neues Teil ab Jahr / Monat<br>Siehe Technische Information Jahr / Nr.<br>Zubehör (nicht im Lieferumfang)<br>Keine Serienausführung, jedoch verwendbar<br>Beinhaltet Positions-Nr.<br>Meterware<br>Druckfehlerberichtigung | Production to serial number<br>New part from serial number<br>New part from Year / Month<br>See Technical Information Year / No.<br>Accessories (not included in the delivery inventory)<br>No standard execution, may be used<br>Contains item number<br>Sold by the meter<br>Error correction |
|  | Änderungen vorbehalten   | Specifications subject to change without notice   |