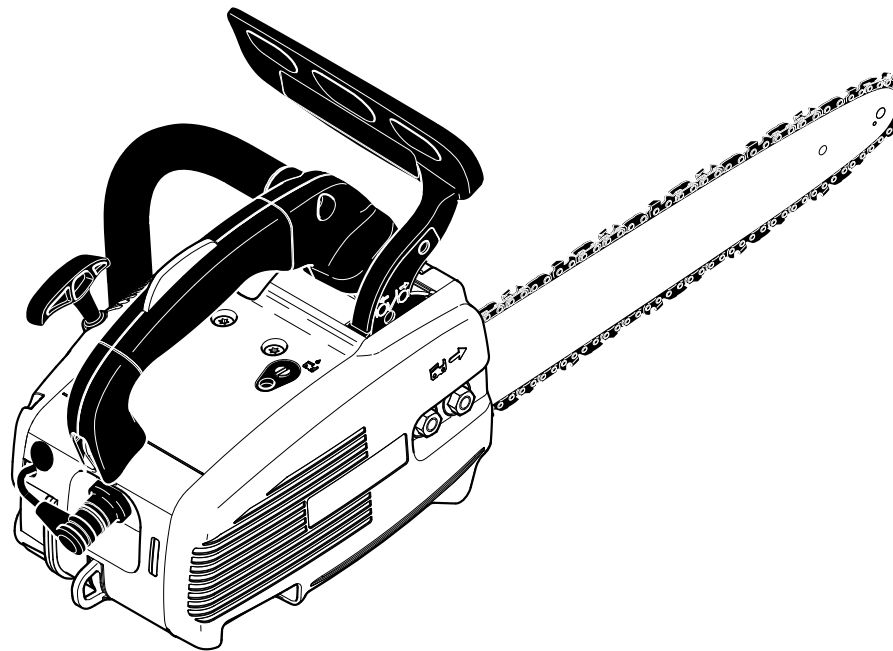




Ersatzteilliste
Spare Parts List

2018-03



- PS3410
- PS-3410 TLC
- PS3410TH
- PS-3410 TH TLC

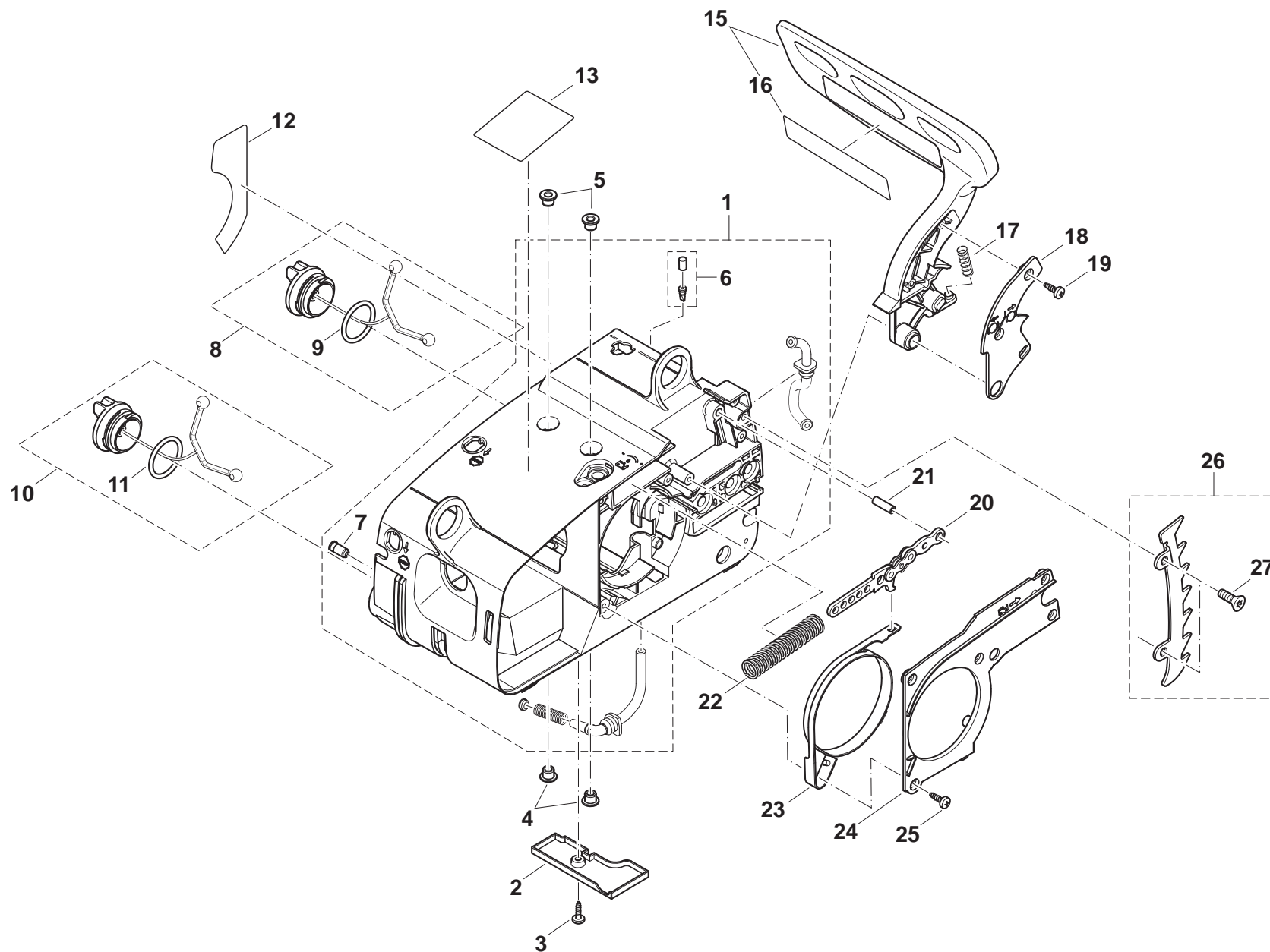
PS3410, PS-3410 TLC,
PS3410TH, PS-3410 TH TLC

1

Tank, Kettenbremse
Tank, chain brake

Makita

DOLMAR



PS3410, PS-3410 TLC,
PS3410TH, PS-3410 TH TLC

1

Tank, Kettenbremse
Tank, chain brake



| Seite / Page | Pos. | PS3410 | PS-3410 TLC | PS3410TH | PS-3410 TH TLC | Teil-Nr. Part No. | Hinweise Notes | Bezeichnung | Spezifikation Specification | Description |
|--------------|------|--------|-------------|----------|----------------|----------------------|-------------------|------------------------------|--------------------------------|--------------------------|
| 1 | 1 | 1 | 1 | 1 | 1 | 170111304 | | MOTORTRÄGER KPL. ROT | INC. 6,7 | MOTOR HOUSING, CPL., RED |
| 1 | 2 | 1 | 1 | 1 | 1 | 170111180 | | ABDECKUNG ÖLSAUGLEITUNG ROT | | COVER, RED |
| 1 | 3 | 1 | 1 | 1 | 1 | 915735100 | | SCHRAUBE | 3,5x10 | SCREW |
| 1 | 4 | 2 | 2 | 2 | 2 | 170111050 | | BUCHSE | | BUSHING |
| 1 | 5 | 2 | 2 | 2 | 2 | 170111050 | | BUCHSE | | BUSHING |
| 1 | 6 | 1 | 1 | 1 | 1 | 170175010 | | SATZ BELÜFTUNGSVENTIL | | AIR VALVE CPL. |
| 1 | 7 | 1 | 1 | 1 | 1 | 010245030 | | BELÜFTUNGSVENTIL | | VENT VALVE |
| 1 | 8 | 1 | 1 | 1 | 1 | 170114100 | | TANKDECKEL KPL. | INC. 9 | TANK CAP COMPLETE |
| 1 | 9 | 1 | 1 | 1 | 1 | 963225030 | | O-RING | | PACKING RING |
| 1 | 10 | 1 | 1 | 1 | 1 | 170114100 | | TANKDECKEL KPL. | INC. 11 | TANK CAP COMPLETE |
| 1 | 11 | 1 | 1 | 1 | 1 | 963225030 | | O-RING | | PACKING RING |
| 1 | 12 | 1 | 1 | 1 | 1 | 980114904 | | AUFKLEBER | CHOKE | LABEL |
| 1 | 13 | 1 | 1 | 1 | 1 | 980115369 | | AUFKLEBER | Kickback | LABEL |
| 1 | 13 | | | 1 | 1 | 980114919 | | AUFKLEBER | TopHandle | LABEL |
| 1 | 15 | 1 | 1 | 1 | 1 | 170213020 | | HANDSCHUTZ KPL. | INC. 16 | HAND GUARD CPL. |
| 1 | 16 | 1 | 1 | 1 | 1 | 810449-4 | | SCHILD HANDSCHUTZ | | CAUTION LABEL |
| 1 | 17 | 1 | 1 | 1 | 1 | 225213060 | | FEDER FÜR HANDSCHUTZ | | SPRING |
| 1 | 18 | 1 | 1 | 1 | 1 | 170213040 | | ABDECKUNG HANDSCHUTZ | | COVER |
| 1 | 19 | 2 | 2 | 2 | 2 | 915735100 | | SCHRAUBE | 3,5x10 | SCREW |
| 1 | 20 | 1 | 1 | 1 | 1 | 028213532 | | BREMSBANDHALTER KPL. | | BRAKE SPRING HOLDER CPL. |
| 1 | 21 | 1 | 1 | 1 | 1 | 962650200 | | NADELROLLE | ø5x20 | CYLINDRICAL PIN |
| 1 | 22 | 1 | 1 | 1 | 1 | 028213521 | | SPEICHERFEDER | | SPRING |
| 1 | 23 | 1 | 1 | 1 | 1 | 170213080 | | BREMSBAND | | BRAKE SPRING |
| 1 | 24 | 1 | 1 | 1 | 1 | 170213050 | | ABDECKPLATTE KETTENBREMSE | | COVER |
| 1 | 25 | 5 | 5 | 5 | 5 | 915735100 | | SCHRAUBE | 3,5x10 | SCREW |
| 1 | 26 | 1 | 1 | 1 | 1 | 170250200 | | ZACKENLEISTE KPL. | INC. 27 | SPIKE BAR CPL. |
| 1 | 27 | 2 | 2 | 2 | 2 | 913850155 | | INNENSTERN-SENKKOPF SCHRAUBE | 5x15 | SCREW |

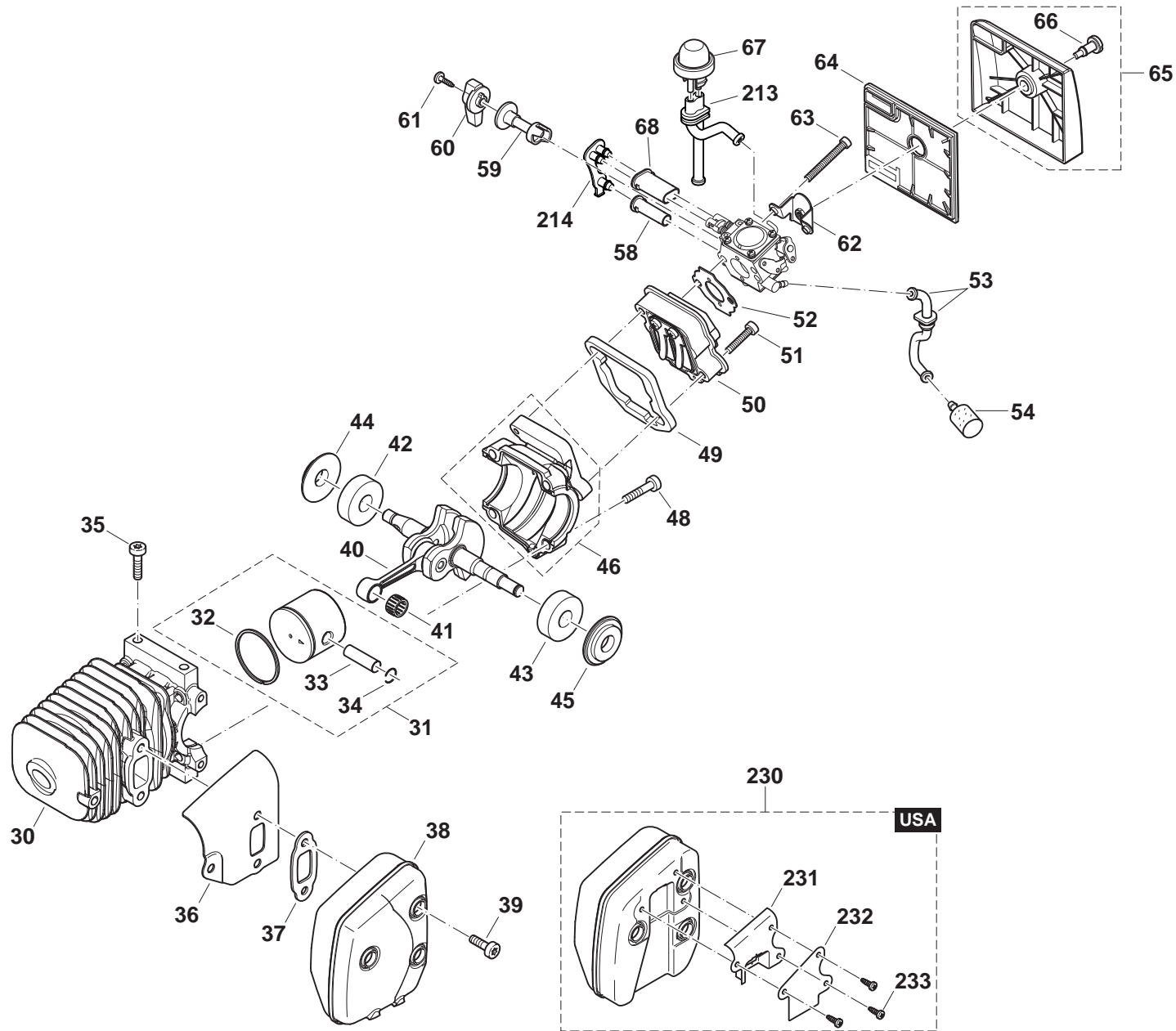
PS3410, PS-3410 TLC,
PS3410TH, PS-3410 TH TLC

2

Zylinder, Luftfilter, Schalldämpfer
Cylinder, air filter, muffler

makita

DOLMAR



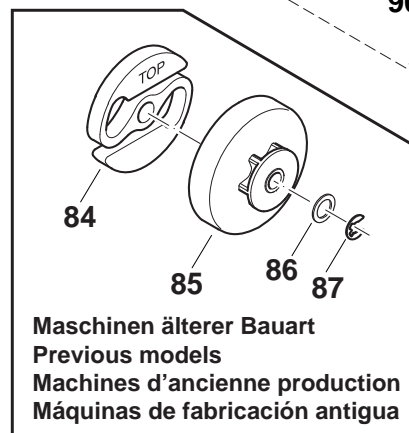
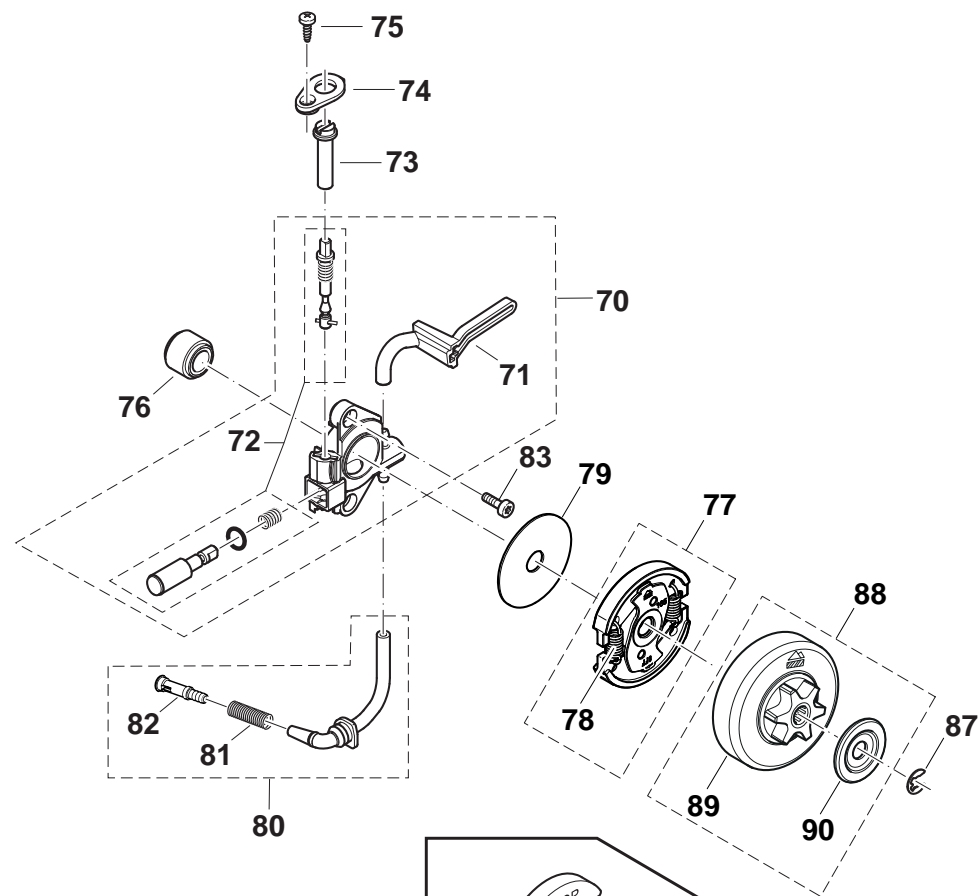
PS3410, PS-3410 TLC,
PS3410TH, PS-3410 TH TLC

2

Zylinder, Luftfilter, Schalldämpfer
Cylinder, air filter, muffler



| Seite / Page | Pos. | PS3410 | PS-3410 TLC | PS3410TH | PS-3410 TH TLC | Teil-Nr. Part No. | Hinweise Notes | Bezeichnung | Spezifikation Specification | Description |
|--------------|------|--------|-------------|----------|----------------|----------------------|-------------------|----------------------------------|--------------------------------|---------------------------|
| 2 | 30 | 1 | 1 | 1 | 1 | 170131010 | | ZYLINDER | | CYLINDER |
| 2 | 31 | 1 | 1 | 1 | 1 | 170132100 | | KOLBEN KPL. | INC. 32-34 | PISTON CPL. |
| 2 | 32 | 1 | 1 | 1 | 1 | 170132030 | | KOLBENRING | | PISTON RING |
| 2 | 33 | 1 | 1 | 1 | 1 | 170132020 | | KOLBENBOLZEN | | PISTON PIN |
| 2 | 34 | 2 | 2 | 2 | 2 | 170132040 | | C-RING | | SPRING RING |
| 2 | 35 | 4 | 4 | 4 | 4 | 266605-8 | | SCHRAUBE INNEN6RD ZK | M5x16 | H.L. SOCKET HEAD BOLT |
| 2 | 36 | 1 | 1 | 1 | 1 | 170174081 | | LEITBLECH | | HEAT SHIELD |
| 2 | 37 | 1 | 1 | 1 | 1 | 170174050 | | DICHTUNG SCHALLDÄMPFER | | GASKET |
| 2 | 38 | 1 | 1 | 1 | 1 | 170174100 | | SCHALLDÄMPFER KPL. | EU/J | MUFFLER |
| 2 | 39 | 3 | 3 | 3 | 3 | 908405145 | | SCHRAUBE | M5x14 | SCREW |
| 2 | 40 | 1 | 1 | 1 | 1 | 170120101 | | KURBELWELLE KPL. | | CRANKSHAFT ASS'Y |
| 2 | 41 | 1 | 1 | 1 | 1 | 962211006 | | KOLBENBOLZENLAGER | 8x11x10 | NEEDLE CAGE |
| 2 | 42 | 1 | 1 | 1 | 1 | 960102131 | | KUGELLAGER | 6201 | BALL BEARING |
| 2 | 43 | 1 | 1 | 1 | 1 | 960102131 | | KUGELLAGER | 6201 | BALL BEARING |
| 2 | 44 | 1 | 1 | 1 | 1 | 962900060 | | RADIALDICHTRING | | RADIAL RING |
| 2 | 45 | 1 | 1 | 1 | 1 | 962900060 | | RADIALDICHTRING | | RADIAL RING |
| 2 | 46 | 1 | 1 | 1 | 1 | 170111201 | | KURBELGEHÄUSE KPL. | | CRANKCASE CPL. |
| 2 | 48 | 4 | 4 | 4 | 4 | 908005205 | | INNENSTERN SCHRAUBE | M5x20 | SCREW |
| 2 | 49 | 1 | 1 | 1 | 1 | 170131040 | | SCHAUMSTOFFDICHTUNG | | GASKET |
| 2 | 50 | 1 | 1 | 1 | 1 | 170131100 | | ZWISCHENFLANSCH KPL. | | INTERMEDIATE FLANGE CPL. |
| 2 | 51 | 2 | 2 | 2 | 2 | 913340204 | | INNENSTERN-SCHLITZ SCHRAUBE | | SCREW |
| 2 | 52 | 1 | 1 | 1 | 1 | 965524023 | | DICHTUNG FÜR VERGASERFLANSCH | | GASKET |
| 2 | 53 | 1 | 1 | 1 | 1 | 170114070 | | KRAFTSTOFFLEITUNG | | FUEL LINE |
| 2 | 54 | 1 | 1 | 1 | 1 | 163447-0 | | BENZINFILTER | | FUEL FILTER |
| 2 | 58 | 1 | 1 | 1 | 1 | 170118041 | | FÜHRUNG | S | ADJUSTING GUIDE |
| 2 | 59 | 1 | 1 | 1 | 1 | 170155050 | | CHOKEHEBELSTANGE | | CHOKE LINKAGE |
| 2 | 60 | 1 | 1 | 1 | 1 | 170155040 | | CHOKEHEBEL | | CHOKE LEVER |
| 2 | 61 | 1 | 1 | 1 | 1 | 915735100 | | SCHRAUBE | 3,5x10 | SCREW |
| 2 | 62 | 1 | 1 | 1 | 1 | 170151051 | | BEFESTIGUNG FÜR LUFTFILTERDECKEL | | AIR FILTER COVER MOUNTING |
| 2 | 63 | 2 | 2 | 2 | 2 | 908004406 | | SCHRAUBE INNEN6RD ZK | M4X40, 10.9 | H.L. SOCKET HEAD BOLT |
| 2 | 64 | 1 | 1 | 1 | 1 | 170173021 | | LUFTFILTER | VLIES | AIR FILTER |
| 2 | 65 | 1 | 1 | 1 | 1 | 170118100 | | LUFTFILTERDECKEL KPL. | INC. 66 | COVER |
| 2 | 66 | 1 | 1 | 1 | 1 | 170118020 | | SCHRAUBE FÜR DECKEL | | SCREW |
| 2 | 67 | 1 | 1 | 1 | 1 | 168398-2 | | KRAFTSTOFFPUMPE | PRIMER | PRIMER PUMP |
| 2 | 68 | 1 | 1 | 1 | 1 | 170118031 | | FÜHRUNG | H / L | ADJUSTING GUIDE |
| 2 | 213 | 1 | 1 | 1 | 1 | 170118070 | | PRIMERLEITUNG | | PRIMER PIPE |
| 2 | 214 | 1 | 1 | 1 | 1 | 170118050 | | VERSCHLUßSTOPFEN | | PLUG |
| 2 | 230 | 1 | 1 | 1 | 1 | 170174200 | | SCHALLDÄMPFER KPL. | USA, CDN,AUS,NZ INC. 231-233 | MUFFLER |
| 2 | 231 | 1 | 1 | 1 | 1 | 170174120 | | FUNKENSCHUTZSIEB KPL. | USA, CDN,AUS,NZ | SPARK ARRESTER SCREEN |
| 2 | 232 | 1 | 1 | 1 | 1 | 170174110 | | ABDECKUNG | USA, CDN,AUS,NZ | COVER |
| 2 | 233 | 3 | 3 | 3 | 3 | 914535105 | | BLECHSCHRAUBE | 3,5X9,5 | SCREW |



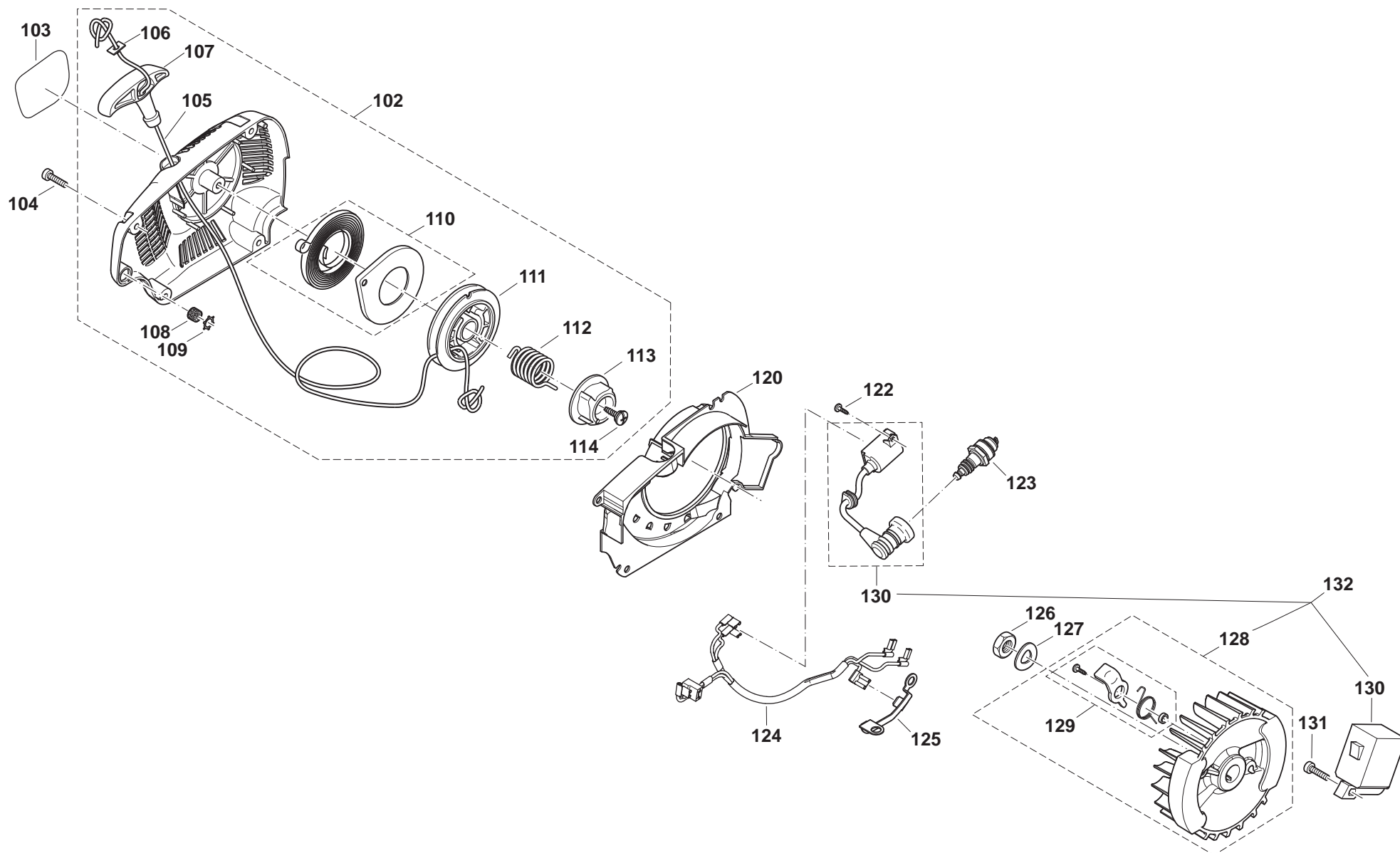
PS3410, PS-3410 TLC,
PS3410TH, PS-3410 TH TLC

3

Ölpumpe, Kupplung
Oil pump, clutch



| Seite / Page | Pos. | PS3410 | PS-3410 TLC | PS3410TH | PS-3410 TH TLC | Teil-Nr. Part No. | Hinweise Notes | Bezeichnung | Spezifikation Specification | Description |
|--------------|------|--------|-------------|----------|----------------|----------------------|-------------------|--------------------------------|--------------------------------|-----------------------|
| 3 | 70 | 1 | 1 | 1 | 1 | 170245101 | | ÖLPUMPE KPL. | INC. 71,72 | OIL PUMP CPL. |
| 3 | 71 | 1 | 1 | 1 | 1 | 170245110 | | ÖLDRUCKLEITUNG | | OIL LINE |
| 3 | 72 | 1 | 1 | 1 | 1 | 170245300 | | REPARATURSATZ ÖLPUMPE | | REPAIR KIT |
| 3 | 73 | 1 | 1 | 1 | 1 | 170245030 | | EINSTELLHEBEL | | ADJUSTING LEVER |
| 3 | 74 | 1 | 1 | 1 | 1 | 170245090 | | ABDECKUNG FÜR EINSTELLSCHRAUBE | | COVER |
| 3 | 75 | 1 | 1 | 1 | 1 | 915735100 | | SCHRAUBE | 3,5x10 | SCREW |
| 3 | 76 | 1 | 1 | 1 | 1 | 170245130 | | SCHNECKE | | PUMP DRIVE |
| 3 | 77 | 1 | 1 | 1 | 1 | 165180200 | | KUPPLUNG KPL. | INC. 78 | CLUTCH ASSY. |
| 3 | 78 | 2 | 2 | 2 | 2 | 165184020 | | ZUGFEDER | 5 | TENSION SPRING |
| 3 | 79 | 1 | 1 | 1 | 1 | 165182060 | | FÜHRUNGSSCHEIBE | 10 | FLAT WASHER |
| 3 | 80 | 1 | 1 | 1 | 1 | 170245200 | | ÖLSAUGLEITUNG KPL. | INC. 81,82 | SUCTION LINE OIL CPL. |
| 3 | 81 | 1 | 1 | 1 | 1 | 231975-4 | | DRUCKFEDER | | SPRING |
| 3 | 82 | 1 | 1 | 1 | 1 | 452666-6 | 2015-01 => | NIPPEL | | NIPPLE |
| 3 | 82 | 1 | 1 | 1 | 1 | 416274-7 | => 2014-12 | STOPFEN | | CAP |
| 3 | 83 | 2 | 2 | 2 | 2 | 908004125 | | INNENSTERN-SCHRAUBE | 4x12 | SCREW |
| 3 | 84 | 1 | 1 | 1 | 1 | 170181010 | | KUPPLUNGSLAMELLE | | CLUTCH |
| 3 | 85 | 1 | 1 | 1 | 1 | 170223111 | | KUPPLUNGSTROMMEL KPL. | 3/8" | CLUTCH DRUM CPL. |
| 3 | 85 | 1 | 1 | 1 | 1 | 170223202 | | KUPPLUNGSTROMMEL KPL. | 1/4" | CLUTCH DRUM CPL. |
| 3 | 86 | 1 | 1 | 1 | 1 | 900006064 | | PASSSCHEIBE | 8X14X0,5 | SHIM RING |
| 3 | 88 | 1 | 1 | 1 | 1 | 199033-1 | | KUPPLUNGSTROMMEL-SET | 3/8" | CLUTCH DRUM SET |
| 3 | 89 | 1 | 1 | 1 | 1 | 140484-1 | | KUPPLUNGSTROMMEL KPL. | 3/8" | CLUTCH DRUM CPL. |
| 3 | 90 | 1 | 1 | 1 | 1 | 267833-8 | | TOPFSCHLEIBE | 8 | CUP WASHER |
| 3 | 87 | 1 | 1 | 1 | 1 | 927306000 | | SICHERUNGSSCHLEIBE | | SAFETY WASHER |



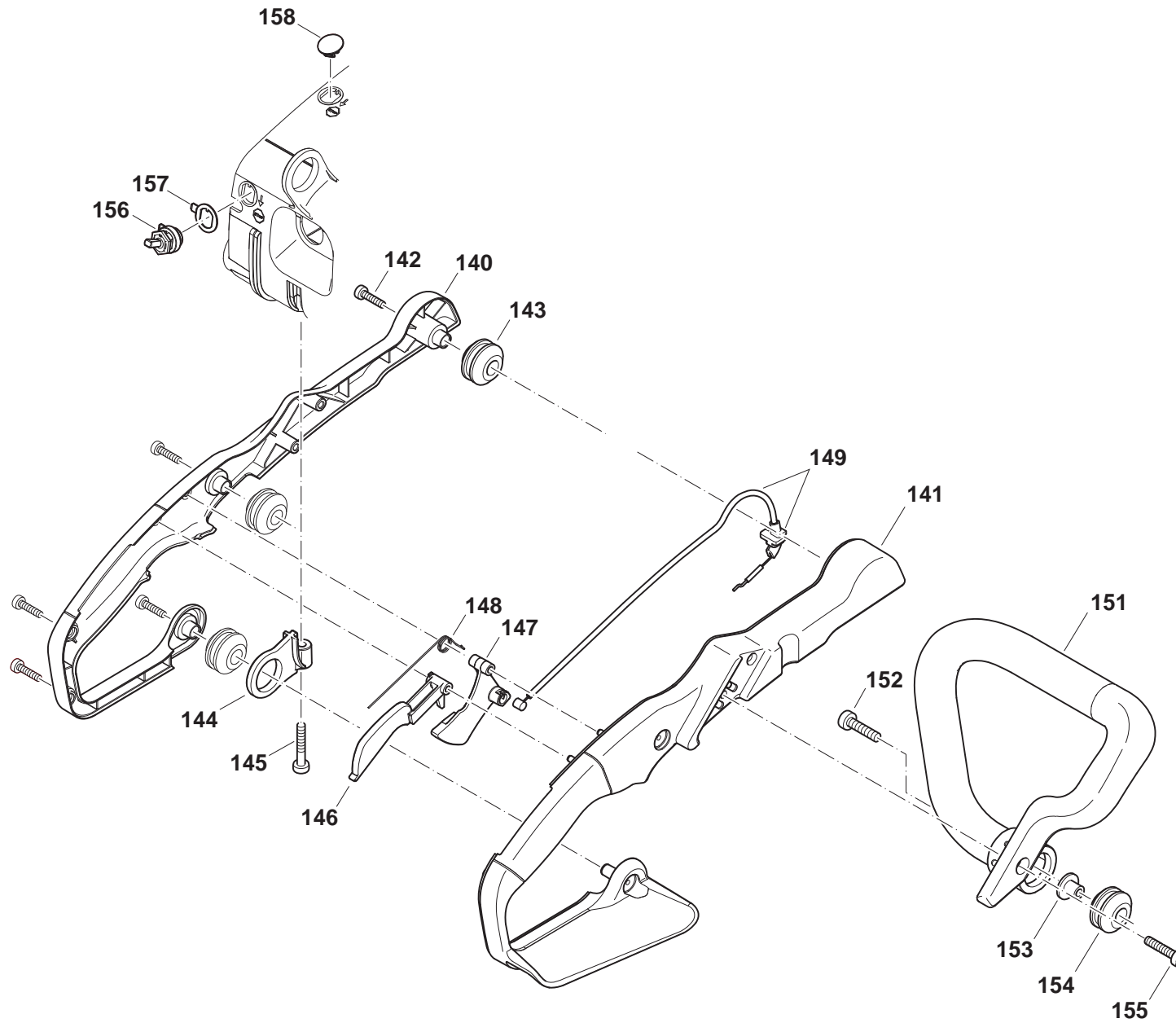
PS3410, PS-3410 TLC,
PS3410TH, PS-3410 TH TLC

4

Zündelektronik, Anwerfvorrichtung
Ignition electronics, starter



| Seite / Page | Pos. | PS3410 | PS-3410 TLC | PS3410TH | PS-3410 TH TLC | Teil-Nr. Part No. | Hinweise Notes | Bezeichnung | Spezifikation Specification | Description |
|--------------|------|--------|-------------|----------|----------------|----------------------|-------------------|-----------------------------|--------------------------------|------------------------------|
| 4 | 102 | 1 | 1 | 1 | 1 | 170160250 | | STARTER KPL. ROT | INC. 105-114 | STARTER ASSY., RED |
| 4 | 103 | 1 | 1 | | | 980115686 | | AUFKLEBER VENTILATORGEHÄUSE | PS-3410 | LABEL |
| 4 | 103 | | | 1 | 1 | 980115687 | | AUFKLEBER VENTILATORGEHÄUSE | PS-3410 TH | LABEL |
| 4 | 104 | 4 | 4 | 4 | 4 | 913340204 | | INNENSTERN-SCHLITZ SCHRAUBE | | SCREW |
| 4 | 105 | 1 | 1 | 1 | 1 | 021164010 | | ANWERFSEIL | ø 3 x 900 mm | STARTER ROPE |
| 4 | 105 | 1 | 1 | 1 | 1 | 985000150 | ACC. | ANWERFSEIL | ø 3 x 100 m | STARTER ROPE |
| 4 | 106 | 1 | 1 | 1 | 1 | 195160080 | | SCHEIBE | | WASHER |
| 4 | 107 | 1 | 1 | 1 | 1 | 170160760 | | ANWERFGRIFF | | STARTER GRIP |
| 4 | 108 | 1 | 1 | 1 | 1 | 965404840 | | DICHTUNG | ø16 | GASKET |
| 4 | 109 | 1 | 1 | 1 | 1 | 930216030 | | ZACKENRING | ZJ16 | TOOTHED WASHER |
| 4 | 110 | 1 | 1 | 1 | 1 | 170160730 | | STARTERFEDER KPL. | | REWIND SPRING |
| 4 | 111 | 1 | 1 | 1 | 1 | 170160740 | | SEILTROMMEL | | CABLE DRUM |
| 4 | 112 | 1 | 1 | 1 | 1 | 170160770 | | FEDER | | SPRING |
| 4 | 113 | 1 | 1 | 1 | 1 | 170160780 | | MITNEHMER | EASY START | STARTER WHEEL |
| 4 | 114 | 1 | 1 | 1 | 1 | 170160790 | | SCHRAUBE | | SCREW |
| 4 | 120 | 1 | 1 | 1 | 1 | 170160021 | | LUFTFÜHRUNG ROT | | AIR DUCT, RED |
| 4 | 122 | 2 | 2 | 2 | 2 | 915735100 | | SCHRAUBE | 3,5x10 | SCREW |
| 4 | 123 | 1 | 1 | 1 | 1 | 965603021 | | ZÜNDKERZE | | SPARK PLUG |
| 4 | 124 | 1 | 1 | 1 | 1 | 170147010 | | KABELBAUM | | CABLE HARNESS |
| 4 | 125 | 1 | 1 | 1 | 1 | 170143031 | | MASSEBRÜCKE | | GROUND CONNECTOR |
| 4 | 126 | 1 | 1 | 1 | 1 | 264022-6 | | 6KT-MUTTER | M8x1 | HEXAGONAL NUT |
| 4 | 127 | 1 | 1 | 1 | 1 | 926208001 | | FEDERSCHEIBE | B8 | SPRING WASHER |
| 4 | 128 | 1 | 1 | 1 | 1 | 170141101 | | POLRAD KPL. | INC. 129 | FLYWHEEL ASSY. |
| 4 | 129 | 1 | 1 | 1 | 1 | 957166100 | | ANWERFKLINKEN-SET | | STARTER RATCHET CPL. |
| 4 | 130 | 1 | 1 | 1 | 1 | 170143110 | | ZÜNDER KPL. | | IGNITION COIL CPL. |
| 4 | 131 | 2 | 2 | 2 | 2 | 908004165 | | INNENSTERN-SCHRAUBE | 4x16 | SCREW |
| 4 | 132 | 1 | 1 | 1 | 1 | 170140100 | | SATZ POLRAD / ZÜNDANKER | INC. 128,130 | SET FLYWHEEL / IGNITION COIL |



PS3410, PS-3410 TLC,
PS3410TH, PS-3410 TH TLC

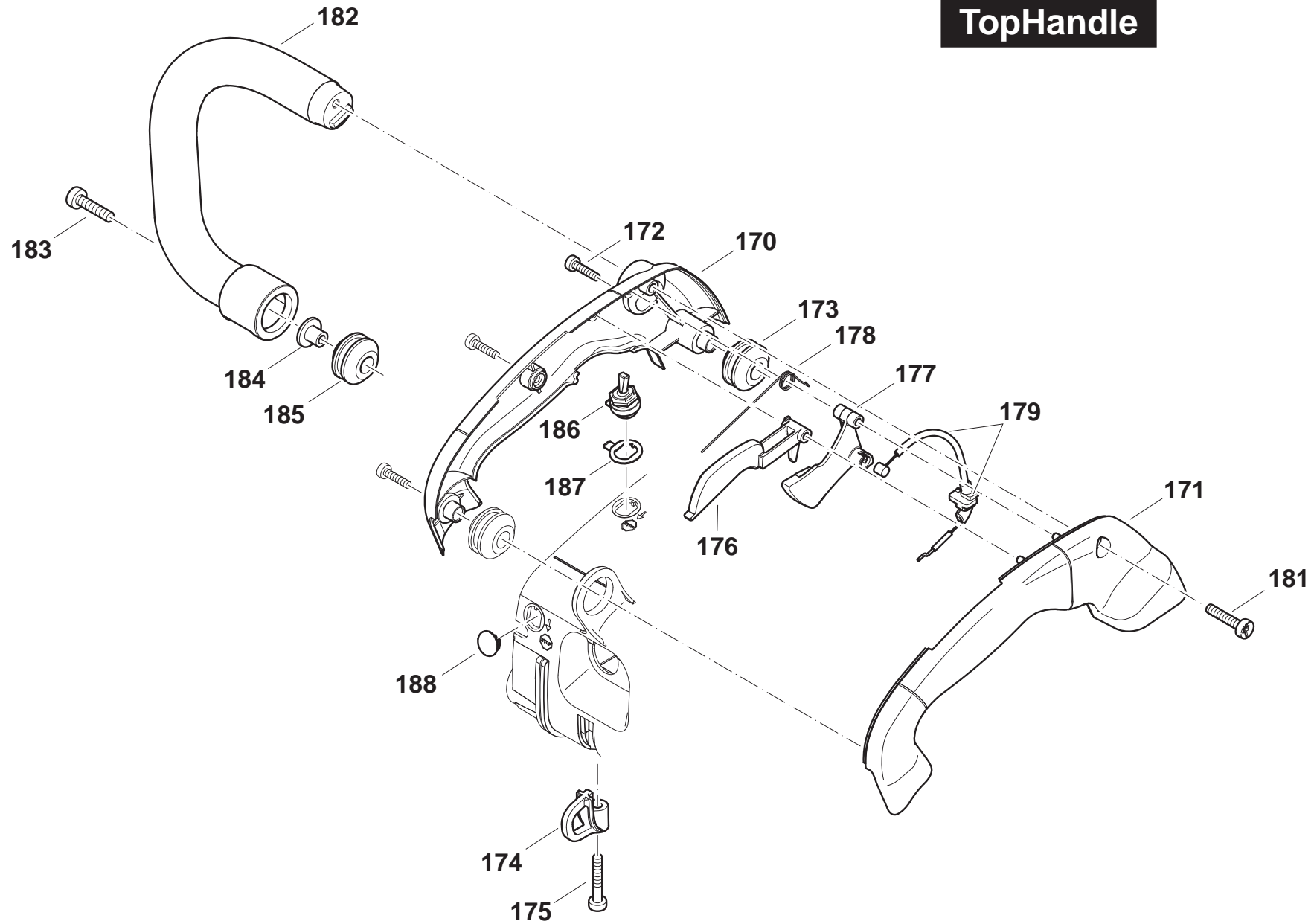
5

Handgriffe
Handles



| Seite / Page | Pos. | PS3410 | PS-3410 TLC | Teil-Nr. Part No. | Hinweise Notes | Bezeichnung | Spezifikation Specification | Description |
|--------------|------|--------|-------------|----------------------|-------------------|-----------------------------|--------------------------------|-----------------------------|
| 5 | 140 | 1 | 1 | 172311010 | | GRIFFHÄLFTE LINKS | | HANDLE HALF LEFT |
| 5 | 141 | 1 | 1 | 172313010 | | GRIFFHÄLFTE RECHTS | | HANDLE HALF RIGHT |
| 5 | 142 | 5 | 5 | 913340204 | | INNENSTERN-SCHLITZ SCHRAUBE | | SCREW |
| 5 | 143 | 3 | 3 | 965403491 | | SCHWINGUNGSDÄMPFER | | RUBBER BUFFER |
| 5 | 144 | 1 | 1 | 172313061 | | DÄMPFERHALTER ROT | | RUBBER BUFFER MOUNTING, RED |
| 5 | 145 | 1 | 1 | 913650304 | | INNENSTERN-SCHLITZ SCHRAUBE | 5x30 | SCREW |
| 5 | 146 | 1 | 1 | 170117040 | | GASHEBELSPERRE | | CATCH LEVER |
| 5 | 147 | 1 | 1 | 170117030 | | GASHEBEL | | THROTTLE LEVER |
| 5 | 148 | 1 | 1 | 170117050 | | FEDER FÜR GASHEBEL | | SPRING |
| 5 | 149 | 1 | 1 | 172312011 | | GASBOWDENZUG KPL. | RH | BOWDEN CABLE CPL. |
| 5 | 151 | 1 | 1 | 172310010 | | BÜGELGRIFF | | TUBULAR HANDLE |
| 5 | 152 | 1 | 1 | 913650304 | | INNENSTERN-SCHLITZ SCHRAUBE | 5x30 | SCREW |
| 5 | 153 | 1 | 1 | 036114020 | | BEFESTIGUNGSBUCHSE | | FIXING BUSH |
| 5 | 154 | 1 | 1 | 965403491 | | SCHWINGUNGSDÄMPFER | | RUBBER BUFFER |
| 5 | 155 | 1 | 1 | 913650304 | | INNENSTERN-SCHLITZ SCHRAUBE | 5x30 | SCREW |
| 5 | 156 | 1 | 1 | 170146050 | | KURZSCHLUßSCHALTER | | SHORT-CIRCUIT SWITCH |
| 5 | 157 | 1 | 1 | 170146010 | | RINGFLACHSTECKER | | FLAT RING CONNECTOR |
| 5 | 158 | 1 | 1 | 170111060 | | STOPFEN KURZSCHLUßSCHALTER | | PLUG |

TopHandle



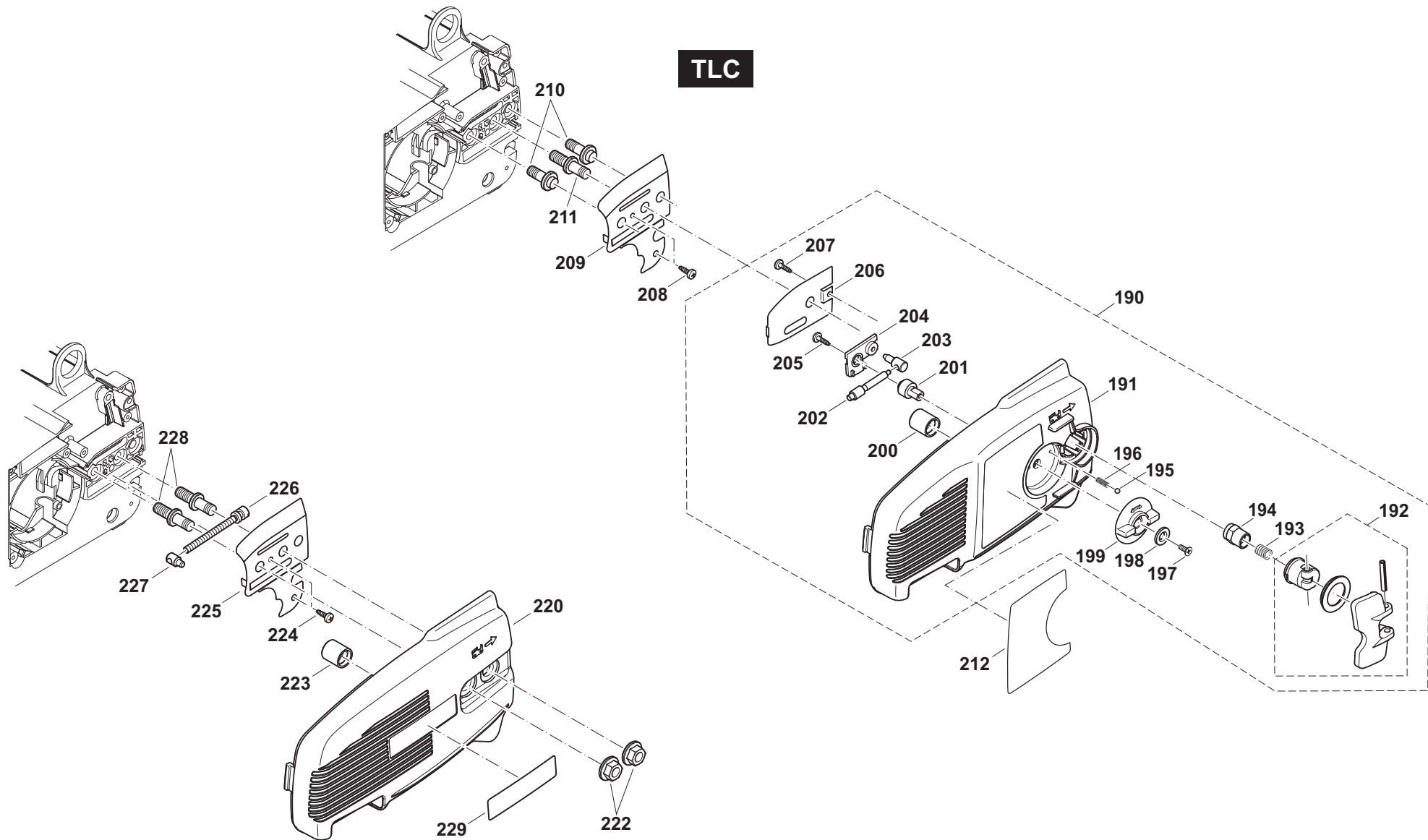
PS3410, PS-3410 TLC,
PS3410TH, PS-3410 TH TLC

6

Handgriffe - TopHandle
Handles - TopHandle



| Seite / Page | Pos. | PS3410TH | PS-3410 TH TLC | Teil-Nr. Part No. | Hinweise Notes | Bezeichnung | Spezifikation Specification | Description |
|--------------|------|----------|----------------|----------------------|-------------------|-----------------------------|--------------------------------|----------------------|
| 6 | 170 | 1 | 1 | 170311010 | | GRIFFHÄLFTE LINKS | TH | HANDLE HALF LEFT |
| 6 | 171 | 1 | 1 | 170313010 | | GRIFFHÄLFTE RECHTS | TH | HANDLE HALF RIGHT |
| 6 | 172 | 3 | 3 | 913340204 | | INNENSTERN-SCHLITZ SCHRAUBE | | SCREW |
| 6 | 173 | 2 | 2 | 965403491 | | SCHWINGUNGSDÄMPFER | | RUBBER BUFFER |
| 6 | 174 | 1 | 1 | 170313080 | | HALTERING | AI | EYE |
| 6 | 175 | 1 | 1 | 913650304 | | INNENSTERN-SCHLITZ SCHRAUBE | 5x30 | SCREW |
| 6 | 176 | 1 | 1 | 170117040 | | GASHEBELSPERRE | | CATCH LEVER |
| 6 | 177 | 1 | 1 | 170117030 | | GASHEBEL | | THROTTLE LEVER |
| 6 | 178 | 1 | 1 | 170117050 | | FEDER FÜR GASHEBEL | | SPRING |
| 6 | 179 | 1 | 1 | 170312011 | | GASBOWDENZUG KPL. | TH | BOWDEN CABLE ASS'Y |
| 6 | 181 | 1 | 1 | 913650304 | | INNENSTERN-SCHLITZ SCHRAUBE | 5x30 | SCREW |
| 6 | 182 | 1 | 1 | 170310010 | | BÜGELGRIFF | TH | TUBULAR HANDLE |
| 6 | 183 | 1 | 1 | 913650304 | | INNENSTERN-SCHLITZ SCHRAUBE | 5x30 | SCREW |
| 6 | 184 | 1 | 1 | 036114020 | | BEFESTIGUNGSBUCHSE | | FIXING BUSH |
| 6 | 185 | 1 | 1 | 965403491 | | SCHWINGUNGSDÄMPFER | | RUBBER BUFFER |
| 6 | 186 | 1 | 1 | 170146050 | | KURZSCHLUßSCHALTER | | SHORT-CIRCUIT SWITCH |
| 6 | 187 | 1 | 1 | 170146010 | | RINGFLACHSTECKER | | FLAT RING CONNECTOR |
| 6 | 188 | 1 | 1 | 170111060 | | STOPFEN KURZSCHLUßSCHALTER | | PLUG |



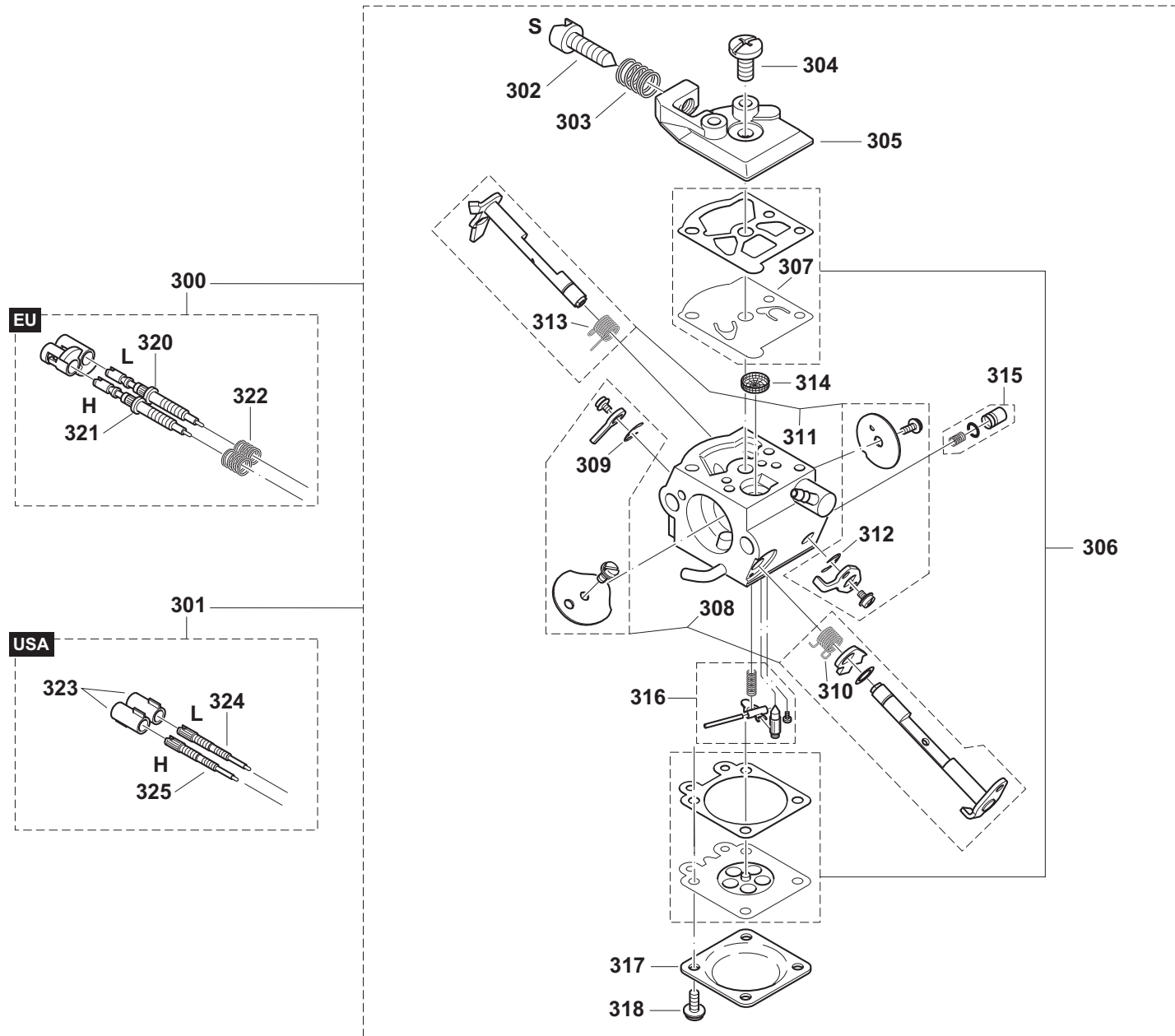
PS3410, PS-3410 TLC,
PS3410TH, PS-3410 TH TLC

7

Kettenradschutz, Kettenspanner
Sprocket guard, chain tensioner



| Seite / Page | Pos. | PS3410 | PS-3410 TLC | PS3410TH | PS-3410 TH TLC | Teil-Nr. Part No. | Hinweise Notes | Bezeichnung | Spezifikation Specification | Description |
|--------------|------|--------|-------------|----------|----------------|----------------------|-------------------|---------------------------------|--------------------------------|--------------------------|
| 7 | 190 | | 1 | | 1 | 170213220 | | KETTENRADSCHUTZ KPL. ROT | TLC INC. 191-207 | SPROCKET GUARD CPL., RED |
| 7 | 191 | | 1 | | 1 | 170213800 | | KETTENRADSCHUTZ ROT | TLC | SPROCKET GUARD, RED |
| 7 | 192 | | 1 | | 1 | 170213150 | | FLUGELGRIFF KPL. | | WING GRIP CPL. |
| 7 | 193 | | 1 | | 1 | 170213730 | | FEDER FÜR KLEMMUTTER | 8 | SPRING |
| 7 | 194 | | 1 | | 1 | 170213720 | | KLEMM-MUTTER | M8 | CLAMP NUT |
| 7 | 195 | | 1 | | 1 | 170213770 | | STAHLKUGEL | 4 | LOCKING BALL |
| 7 | 196 | | 1 | | 1 | 233033-2 | | DRUCKFEDER | 4 | COMPRESSION SPRING |
| 7 | 197 | | 1 | | 1 | 904704084 | | SENKSCHRAUBE M4X8 | 4x8 | SCREW |
| 7 | 198 | | 1 | | 1 | 170213700 | | SCHEIBE FÜR SPANNRAD | | WASHER |
| 7 | 199 | | 1 | | 1 | 170213680 | | SPANNRAD | | TENSIONING WHEEL |
| 7 | 200 | | 1 | | 1 | 170213100 | | KETTENFANGROLLE | | CHAIN CATCH |
| 7 | 201 | | 1 | | 1 | 170213640 | | ANTRIEBSRAD | | DRIVE WHEEL |
| 7 | 202 | | 1 | | 1 | 170213650 | | SPANNSCHRAUBE | TLC | TENSIONING SCREW |
| 7 | 203 | | 1 | | 1 | 170213660 | | SPANNMUTTER | | TENSIONING NUT |
| 7 | 204 | | 1 | | 1 | 170213670 | | KETTENSPANNABDECKUNG | | COVER |
| 7 | 205 | | 1 | | 1 | 915730100 | | KREUZSCHLITZ KUNSTSTOFFSCHRAUBE | 3x10 | SCREW |
| 7 | 206 | | 1 | | 1 | 170111790 | | KETTENFÜHRUNGSBLECH | TLC | GUIDE PLATE |
| 7 | 207 | | 1 | | 1 | 915730100 | | KREUZSCHLITZ KUNSTSTOFFSCHRAUBE | 3x10 | SCREW |
| 7 | 208 | | 2 | | 2 | 915735100 | | SCHRAUBE | 3,5x10 | SCREW |
| 7 | 209 | | 1 | | 1 | 170111070 | | KETTENFÜHRUNGSBLECH | | GUIDE PLATE |
| 7 | 210 | | 2 | | 2 | 170111040 | | SCHIENENSTIFT, SILBER | | BOLT, SILVER |
| 7 | 211 | | 1 | | 1 | 170110010 | | SCHIENENBOLZEN, SCHWARZ | M8x1 | BOLT, BLACK |
| 7 | 212 | | 1 | | 1 | 980114924 | | AUFKLEBER KETTENRADSCHUTZ | DOLMAR TLC | LABEL |
| 7 | 220 | 1 | 1 | | 1 | 170213302 | | KETTENRADSCHUTZ ROT | | SPROCKET GUARD RED |
| 7 | 222 | 2 | 2 | | 2 | 923208004 | | 6 KANT-MUTTER | M8 | HEXAGONAL NUT |
| 7 | 223 | 1 | 1 | | 1 | 170213100 | | KETTENFANGROLLE | | CHAIN CATCH |
| 7 | 224 | 2 | 2 | | 2 | 915735100 | | SCHRAUBE | 3,5x10 | SCREW |
| 7 | 225 | 1 | 1 | | 1 | 170111070 | | KETTENFÜHRUNGSBLECH | | GUIDE PLATE |
| 7 | 226 | 1 | 1 | | 1 | 036213090 | | SPANNSCHRAUBE | | TENSIONING SCREW |
| 7 | 227 | 1 | 1 | | 1 | 001213042 | | MUTTER MIT ZAPFEN | | NUT WITH PIVOT |
| 7 | 228 | 2 | 2 | | 2 | 036110021 | | SCHIENENBOLZEN | | BOLT |
| 7 | 229 | 1 | 1 | | 1 | 980115962 | | AUFKLEBER KETTENRADSCHUTZ | DOLMAR | LABEL |



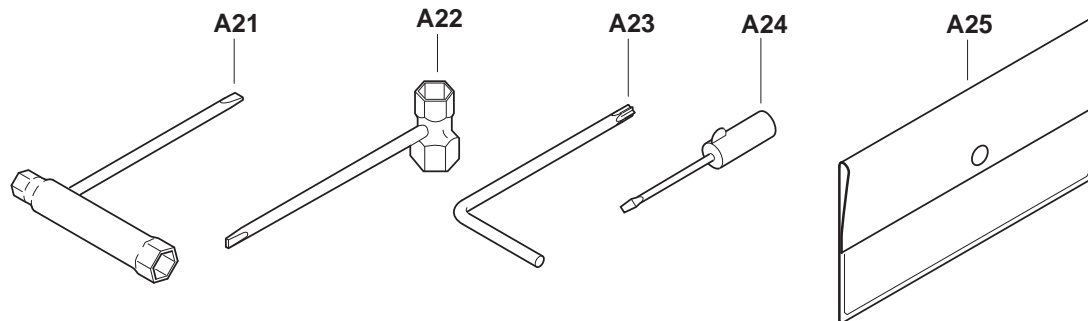
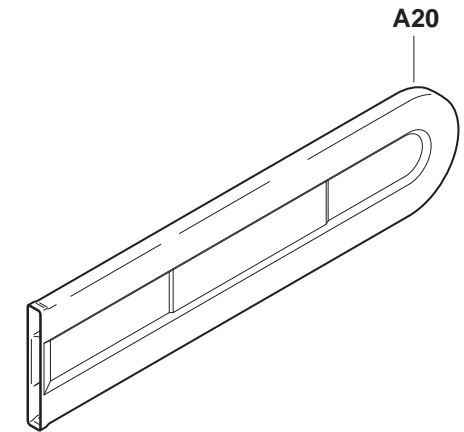
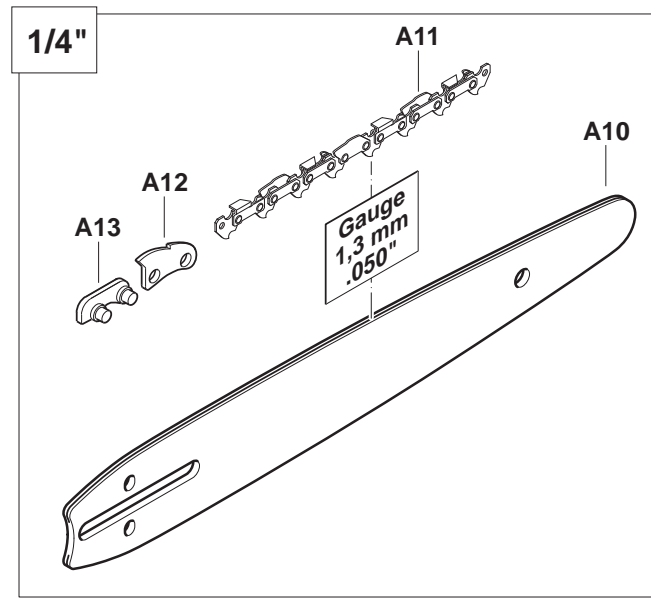
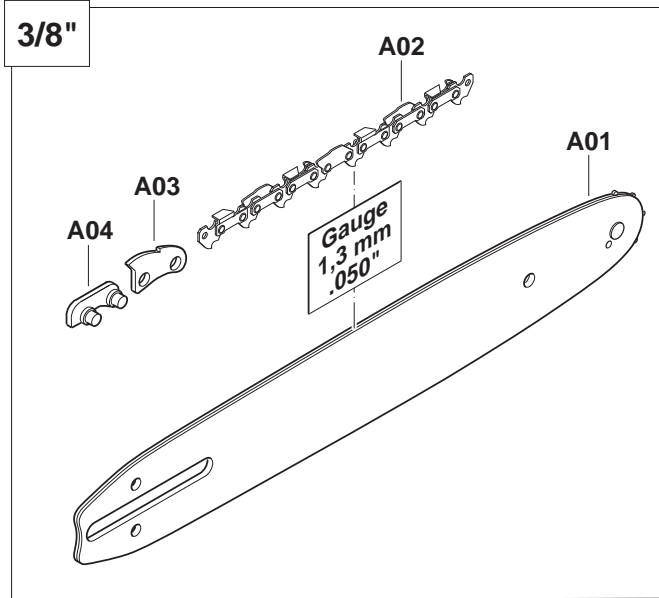
PS3410, PS-3410 TLC,
PS3410TH, PS-3410 TH TLC

8

Vergaser
Carburetor



| Seite / Page | Pos. | PS3410 | PS-3410 TLC | PS3410TH | PS-3410 TH TLC | Teil-Nr. Part No. | Hinweise Notes | Bezeichnung | Spezifikation Specification | Description |
|--------------|------|--------|-------------|----------|----------------|----------------------|-------------------|---------------------------|--------------------------------|-------------------------|
| 8 | 300 | 1 | 1 | 1 | 1 | 170151100 | | VERGASER KPL. | LC-EU INC. 302-318, 320-321 | CARBURETOR CPL. |
| 8 | 301 | 1 | 1 | 1 | 1 | 170151200 | | VERGASER KPL. | USA INC. 302-318, 323-325 | CARBURETOR CPL. |
| 8 | 302 | 1 | 1 | 1 | 1 | 378151210 | | LEERLAUFANSCHLAGSCHRAUBE | S | IDLE SPEED SCREW |
| 8 | 303 | 1 | 1 | 1 | 1 | 170151260 | | FEDER | | SPRING |
| 8 | 304 | 1 | 1 | 1 | 1 | 118151190 | | SCHRAUBE | | SCREW |
| 8 | 305 | 1 | 1 | 1 | 1 | 021151160 | | PUMPENDECKEL KPL. | | PUMP COVER |
| 8 | 306 | 1 | 1 | 1 | 1 | 021151540 | | DICHTUNG U. MEMBRAN-SET | INC. 307 | SET GASKETS / DIAPHRAGM |
| 8 | 307 | 1 | 1 | 1 | 1 | 021151150 | | PUMPENMEMBRAN GUMMI | | PUMP DIAPHRAGM, RUBBER |
| 8 | 308 | 1 | 1 | 1 | 1 | 957151040 | | REP.-SATZ CHOKEWELLE | INC. 309,310 | KIT CHOKE SHAFT |
| 8 | 309 | 1 | 1 | 1 | 1 | 119151350 | | WELLENSICHERUNG | | SHAFT CLIP |
| 8 | 310 | 1 | 1 | 1 | 1 | 170151280 | | DREHFEDER | | SPRING |
| 8 | 311 | 1 | 1 | 1 | 1 | 957151060 | | REP.-SATZ DROSSELWELLE | INC. 312,313 | KIT THROTTLE SHAFT |
| 8 | 312 | 2 | 2 | 2 | 2 | 119151350 | | WELLENSICHERUNG | | SHAFT CLIP |
| 8 | 313 | 1 | 1 | 1 | 1 | 001151310 | | DREHFEDER | | SPRING |
| 8 | 314 | 1 | 1 | 1 | 1 | 021151180 | | SIEB | | SCREEN |
| 8 | 315 | 1 | 1 | 1 | 1 | 957151070 | | BESCHLEUNIGUNGSPUMPE KPL. | | ACCELERATOR |
| 8 | 316 | 1 | 1 | 1 | 1 | 957150040 | | SATZ STEUERTEILE | | SET OF CONTROL PARTS |
| 8 | 317 | 1 | 1 | 1 | 1 | 021151120 | | MEMBRANDECKEL | | DIAPHRAGM COVER |
| 8 | 318 | 4 | 4 | 4 | 4 | 378151220 | | SCHRAUBE | | SCREW |
| 8 | 320 | 1 | 1 | 1 | 1 | 001151810 | | LEERLAUF-STELLSCHRAUBE | L - EU | IDLE ADJUSTMENT SCREW |
| 8 | 321 | 1 | 1 | 1 | 1 | 001151820 | | VOLLGAS-STELLSCHRAUBE | H - EU | MAIN ADJUSTMENT SCREW |
| 8 | 322 | 2 | 2 | 2 | 2 | 021151530 | | FEDER | H | SPRING |
| 8 | 323 | 1 | 1 | 1 | 1 | 170151330 | | LIMITER CAP | USA | LIMITER CAP |
| 8 | 324 | 1 | 1 | 1 | 1 | 170151350 | | LEERLAUF-STELLSCHRAUBE | L - USA | IDLE ADJUSTMENT SCREW |
| 8 | 325 | 1 | 1 | 1 | 1 | 170151360 | | VOLLGAS-STELLSCHRAUBE | H -USA | MAIN ADJUSTMENT SCREW |



PS3410, PS-3410 TLC,
PS3410TH, PS-3410 TH TLC

9

Sägeschienen, Sägeketten, Werkzeug
Guide bars, saw chains, tools



| Seite / Page | Pos. | PS3410 | PS-3410 TLC | PS3410TH | PS-3410 TH TLC | Teil-Nr. Part No. | Hinweise Notes | Bezeichnung | Spezifikation Specification | Description |
|--------------|------|--------|-------------|----------|----------------|----------------------|-------------------|-----------------------|--------------------------------|-----------------------|
| 9 | A01 | 1 | 1 | 1 | 1 | 412035661 | | STERNSCHIENE | 3/8" .050" 35cm-14" | GUIDE BAR |
| 9 | A01 | 1 | 1 | 1 | 1 | 412030661 | | STERNSCHIENE | 3/8" .050" 30cm-12" | SPROCKET NOSE BAR |
| 9 | A01 | | | 1 | 1 | 412025661 | | STERNSCHIENE | 3/8" .050" 25cm-10" | SPROCKET NOSE BAR |
| 9 | A02 | 1 | 1 | 1 | 1 | 511492746 | | SÄGEKETTE | 3/8" .050" 30cm-12" | SAW CHAIN |
| 9 | A02 | 1 | 1 | 1 | 1 | 511492752 | | SÄGEKETTE | 3/8" .050" 35cm-14" | SAW CHAIN |
| 9 | A02 | | | 1 | 1 | 511492740 | | SÄGEKETTE | 3/8" .050" 25cm-10" | SAW CHAIN |
| 9 | A03 | 1 | 1 | 1 | 1 | 558092000 | | SICHERHEITSLASCHE | 3/8" .050" | SAFETY TIE STRAP |
| 9 | A04 | 1 | 1 | 1 | 1 | 558092010 | | AUSSENLASCHE MIT NIET | 3/8" .050" | TIE STRAP WITH RIVETS |
| 9 | A10 | 1 | 1 | 1 | 1 | 412030471 | | PANZERSCHIENE | 1/4" .050" 30cm-12" | SOLID NOSE BAR |
| 9 | A10 | 1 | 1 | 1 | 1 | 412035471 | | PANZERSCHIENE | 1/4" .050" 35cm-14" | SOLID NOSE BAR |
| 9 | A11 | 1 | 1 | 1 | 1 | 512466776 | | SÄGEKETTE | 1/4" .050" 35cm-14" | SAW CHAIN |
| 9 | A11 | 1 | 1 | 1 | 1 | 512466768 | | SÄGEKETTE | 1/4" .050" 30cm-12" | SAW CHAIN |
| 9 | A12 | 1 | 1 | 1 | 1 | 558466000 | | SICHERHEITSLASCHE | 1/4" .050" | SAFETY TIE STRAP |
| 9 | A13 | 1 | 1 | 1 | 1 | 558466010 | | AUSSENLASCHE MIT NIET | 1/4" .050" | TIE STRAP WITH RIVETS |
| 9 | A20 | 1 | 1 | 1 | 1 | 952010140 | | KETTENSCHUTZ | 43cm DOLMAR | CHAIN PROTECTION |
| 9 | A21 | 1 | 1 | | | 941719140 | | KOMBISCHLÜSSEL | SW 13/19 | UNIVERSAL WRENCH |
| 9 | A22 | | | 1 | 1 | 941719133 | | KOMBISCHLÜSSEL | SW 13/19 | UNIVERSAL WRENCH |
| 9 | A23 | 1 | 1 | 1 | 1 | 940827000 | | WINKELSCHLÜSSEL | T27 | ANGLED SCREW DRIVER |
| 9 | A24 | 1 | 1 | 1 | 1 | 783012-5 | | SCHRAUBENDREHER | | SCREWDRIVER |
| 9 | A25 | 1 | 1 | 1 | 1 | 950004002 | | WERKZEUGTASCHE | | PLASTIK BAG |

PS3410, PS-3410 TLC,
PS3410TH, PS-3410 TH TLC



| | Zeichenerklärung | Key to symbols |
|--|--|---|
| => 1999999 2000000 => 2003.04 => TI 2003/07 Acc. = { m Corr. | Produktion bis Serien-Nr. Neues Teil ab Serien-Nr. Neues Teil ab Jahr / Monat Siehe Technische Information Jahr / Nr. Zubehör (nicht im Lieferumfang) Keine Serienausführung, jedoch verwendbar Beinhaltet Positions-Nr. Meterware Druckfehlerberichtigung | Production to serial number New part from serial number New part from Year / Month See Technical Infromation Year / No. Accessories (not included in the delivery inventory) No standard execution, may be used Contains item number Sold by the meter Error correction |
| | Änderungen vorbehalten | Specifications subject to change without notice |