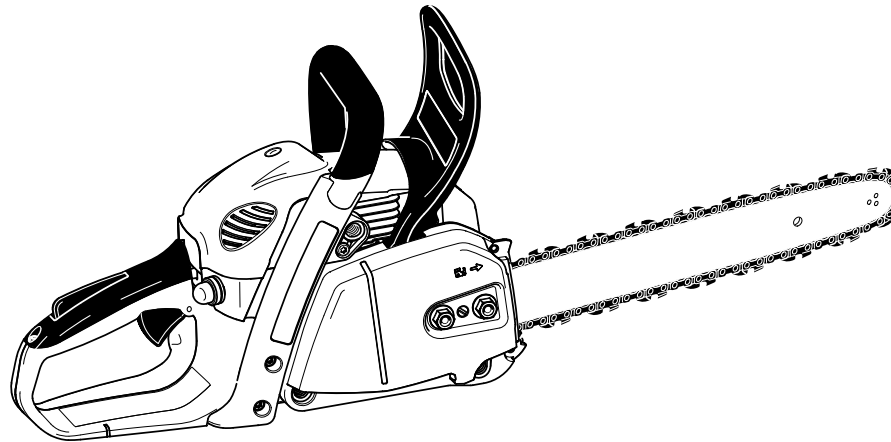




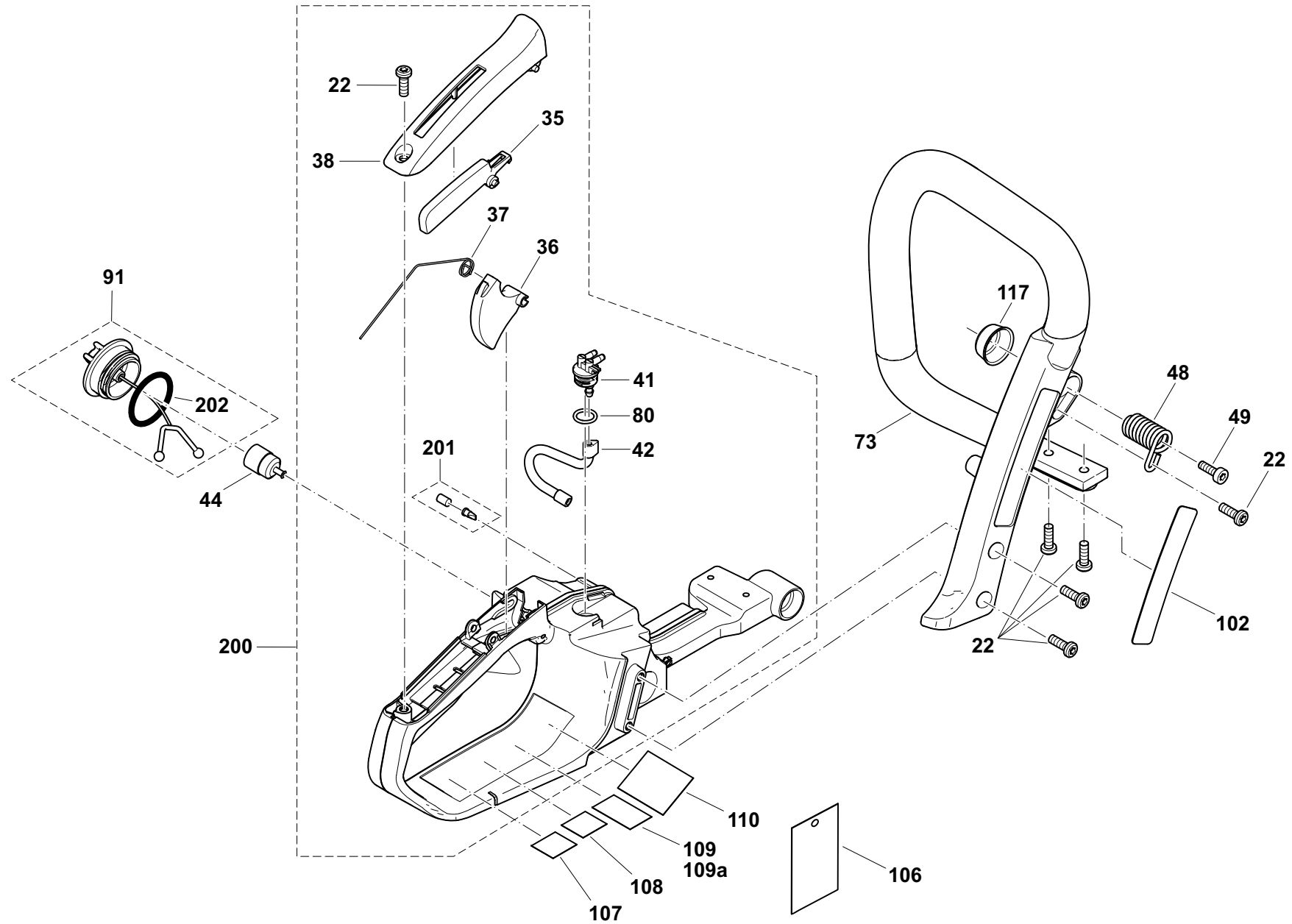
Ersatzteilliste
Spare Parts List

2017-01



PS-32 C
PS-32 C TLC
EA3200S
EA3201S

995700004 (D, GB)



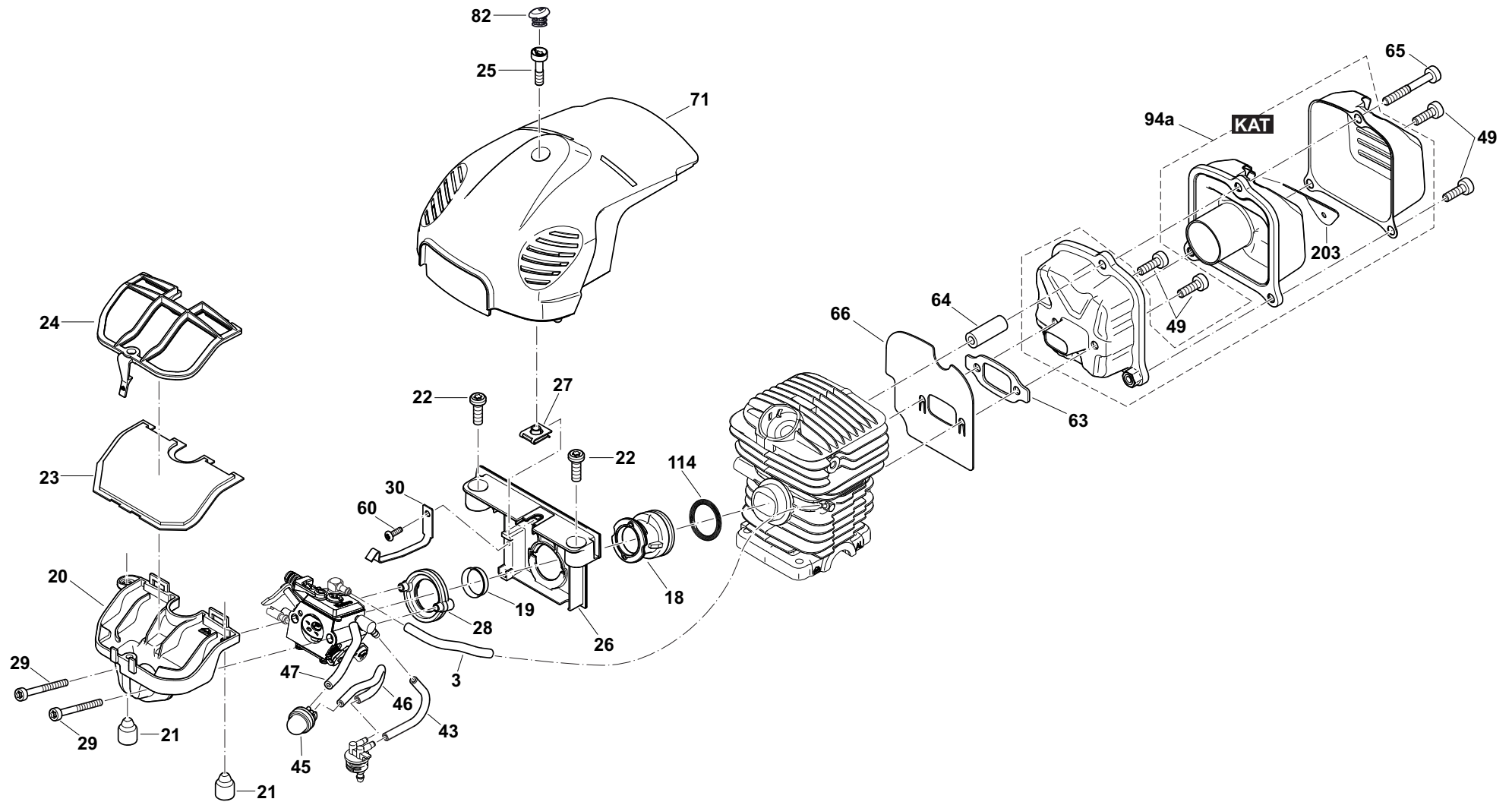
PS-32 C, PS-32 C TLC,
EA3200S, EA3201S

1

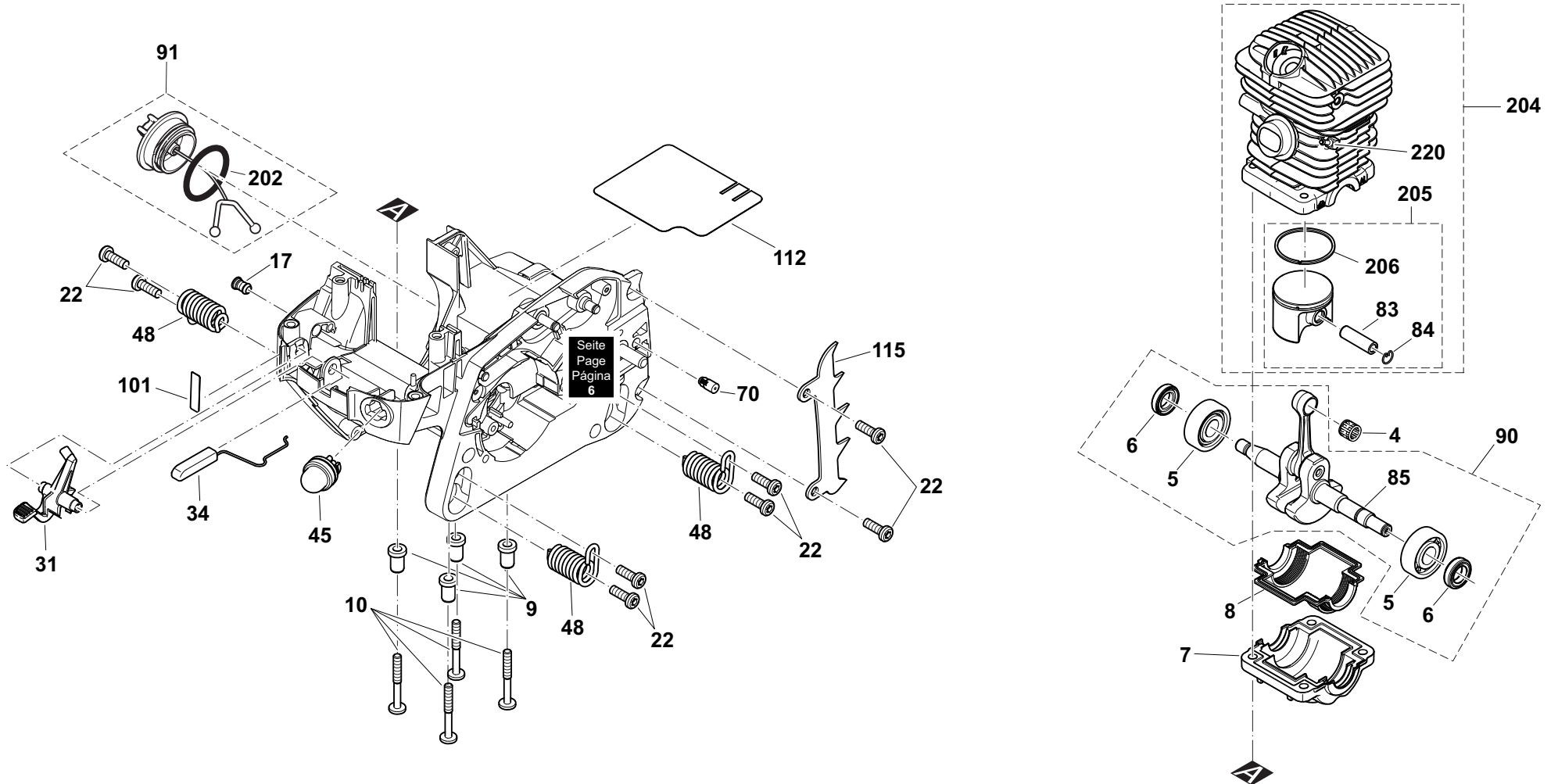
Kraftstofftank, Bügelgriff
Fuel tank, tubular grip



| Seite / Page | Pos. | PS-32 C | PS-32 C TLC | EA3200S | EA3201S | Teil-Nr. Part No. | Hinweise Notes | Bezeichnung | Spezifikation Specification | Description |
|--------------|------|---------|-------------|---------|---------|----------------------|-------------------|--------------------------|--------------------------------|-------------------------|
| 1 | 22 | 19 | 19 | 19 | 19 | 913455164 | | INNENSTERN SCHRAUBE | 5,5X16 | SCREW |
| 1 | 35 | 1 | 1 | 1 | 1 | 165117030 | | GASHEBELSPERRE | | CATCH LEVER |
| 1 | 36 | 1 | 1 | 1 | 1 | 165117020 | | GASHEBEL | | THROTTLE LEVER |
| 1 | 37 | 1 | 1 | 1 | 1 | 195117010 | | GASHEBELFEDER | | SPRING |
| 1 | 38 | 1 | 1 | 1 | 1 | 165117050 | | GRIFFOBERSCHALE | | GRIP SHELL |
| 1 | 41 | 1 | 1 | 1 | 1 | 165114060 | | KRAFTSTOFFNIPPEL | | FUEL NIPPLE |
| 1 | 42 | 1 | 1 | 1 | 1 | 195114070 | | KRAFTSTOFFLEITUNG | | FUEL PIPE |
| 1 | 44 | 1 | 1 | 1 | 1 | 163447-0 | | BENZINFILTER | | FUEL FILTER |
| 1 | 48 | 4 | 4 | 4 | 4 | 165114150 | | DÄMPFUNGSFEDER | 12 | COMPRESSION SPRING |
| 1 | 49 | 5 | 5 | 5 | 5 | 908005165 | | SCHRAUBE INNEN6RD ZK | M5x16 | H.L. SOCKET HEAD BOLT |
| 1 | 73 | 1 | 1 | 1 | 1 | 165310010 | | BÜGELGRIFF | | TUBULAR HANDLE |
| 1 | 80 | 1 | 1 | 1 | 1 | 963211020 | | O-RING | 11,5x2 | O RING |
| 1 | 91 | 2 | 2 | 2 | 2 | 168823-3 | 2015 => | TANKDECKEL KPL. | | TANK CAP ASSEMBLY |
| 1 | 91 | 2 | 2 | 2 | 2 | 181114202 | => 2014 | TANKDECKEL KPL. | | TANK CAP ASSEMBLY |
| 1 | 102 | 1 | 1 | | | 165115130 | | SCHILD BÜGELGRIFF | DOLMAR LOGO | LABEL |
| 1 | 102 | | | 1 | 1 | 891898-4 | | SCHILD BÜGELGRIFF | MAKITA LOGO | LABEL |
| 1 | 106 | 1 | 1 | 1 | 1 | 893389-1 | | ANHÄNGESCHILD | AIR INDEX, USA | TAG |
| 1 | 107 | 1 | 1 | 1 | 1 | 980115277 | | AUFKLEBER | BR | LABEL |
| 1 | 107 | 1 | 1 | 1 | 1 | | | SICHERHEITSAUFKLEBER | USA | CAUTION LABEL |
| 1 | 107 | | | 1 | 1 | 980115253 | | SICHERHEITSAUFKLEBER | J | CAUTION LABEL |
| 1 | 108 | 1 | 1 | 1 | 1 | 980115113 | | SCHALLPEGELAUFKLEBER | EU, USA | LABEL, SOUND LEVEL |
| 1 | 109 | 1 | 1 | 1 | 1 | | | ABGASAUFKLEBER | USA | LABEL, EXHAUST EMISSION |
| 1 | 109 | 1 | 1 | 1 | 1 | 891905-3 | | ABGASAUFKLEBER | EU | LABEL, EXHAUST EMISSION |
| 1 | 109a | 1 | 1 | | | 165115300 | | AUFKLEBER TANK | USA - EVAPORATION DOLMAR | LABEL, TANK |
| 1 | 109a | | | 1 | 1 | 165115620 | | AUFKLEBER TANK | USA - EVAPORATION MAKITA | LABEL, TANK |
| 1 | 110 | 1 | 1 | 1 | 1 | 868744-6 | | TYPENSCHILD | | NAME PLATE |
| 1 | 117 | 1 | 1 | 1 | 1 | 195114160 | | FEDERTOPF | 6 | CUP WASHER |
| 1 | 200 | 1 | 1 | | | 165114140 | | KRAFTSTOFFTANK KPL. ROT | RED | TANK COMPLETE |
| 1 | 200 | 1 | 1 | | | 165114160 | | KRAFTSTOFFTANK KPL. ROT | RED, USA (EPA), INCL.109a | TANK COMPLETE |
| 1 | 200 | | | 1 | 1 | 195758-5 | | KRAFTSTOFFTANK KPL. BLAU | BLUE | TANK COMPLETE |
| 1 | 200 | | | 1 | 1 | 165114650 | | KRAFTSTOFFTANK KPL. BLAU | BLUE, USA (EPA), INCL.109a | TANK COMPLETE |
| 1 | 201 | 1 | 1 | 1 | 1 | 170175010 | | SATZ BELÜFTUNGSVENTIL | | AIR VALVE CPL. |
| 1 | 202 | 2 | 2 | 2 | 2 | 963229036 | | O-RING | 29,3X3,6 | O RING |



| Seite / Page | Pos. | PS-32 C | PS-32 C TLC | EA3200S | EA3201S | Teil-Nr. Part No. | Hinweise Notes | Bezeichnung | Spezifikation Specification | Description |
|--------------|------|---------|-------------|---------|---------|----------------------|-------------------|----------------------------|----------------------------------|-----------------------|
| 2 | 3 | m | m | m | m | 965452090 | | VITONSCHLAUCH | 2,5/5,5mm x1m 72 mm | TUBE |
| 2 | 18 | 1 | 1 | 1 | 1 | 165131040 | | ANSAUGSCHLAUCH | | INTAKE HOSE |
| 2 | 19 | 1 | 1 | 1 | 1 | 181131021 | | EINSATZ FÜR ANSAUGSCHLAUCH | | INSERT |
| 2 | 20 | 1 | 1 | 1 | 1 | 165171010 | | ANSAUGKRÜMMER | | INTAKE MANIFOLD |
| 2 | 21 | 2 | 2 | 2 | 2 | 181118070 | | DÄMPFUNGSSTOPFEN | | DAMPING PLUG |
| 2 | 22 | 17 | 17 | 17 | 17 | 913455164 | | INNENSTERN SCHRAUBE | 5,5X16 | SCREW |
| 2 | 23 | 1 | 1 | 1 | 1 | 165173010 | | LUFTFILTER | | AIR FILTER |
| 2 | 24 | 1 | 1 | 1 | 1 | 165173020 | | LUFTFILTERDECKEL | | AIR FILTER COVER |
| 2 | 25 | 1 | 1 | 1 | 1 | 165888050 | | SCHRAUBE INNEN6RD | M5X20 | H.L. SOCKET HEAD BOLT |
| 2 | 26 | 1 | 1 | 1 | 1 | 165131050 | | ZWISCHENFLANSCH | | INTERMEDIATE FLANGE |
| 2 | 27 | 1 | 1 | 1 | 1 | 165171020 | | SCHNAPPMUTTER | M5 | SNAP NUT |
| 2 | 28 | 1 | 1 | 1 | 1 | 165131060 | | FLANSCHRING | | FLANGE RING |
| 2 | 29 | 2 | 2 | 2 | 2 | 165888020 | | SCHRAUBE | M4x40 | H.L. SOCKET HEAD BOLT |
| 2 | 30 | 1 | 1 | 1 | 1 | 165155010 | | KONTAKTFEDER | | CONTACT SPRING |
| 2 | 43 | 1 | 1 | 1 | 1 | 965452660 | | VITONSCHLAUCH | 5,6x3mmx1m EPA code, red L=70 mm | TUBE |
| 2 | 45 | 1 | 1 | 1 | 1 | 010155011 | | KRAFTSTOFFPUMPE | PRIMER | PRIMER |
| 2 | 46 | 1 | 1 | 1 | 1 | 965452090 | | VITONSCHLAUCH | 2,5/5,5mm x1m L=112 mm | TUBE |
| 2 | 47 | 1 | 1 | 1 | 1 | 965452090 | | VITONSCHLAUCH | 2,5/5,5mm x1m L=55 mm | TUBE |
| 2 | 49 | 5 | 5 | 5 | 5 | 908005165 | | SCHRAUBE INNEN6RD ZK | M5x16 | H.L. SOCKET HEAD BOLT |
| 2 | 60 | 4 | 4 | 4 | 4 | 165888120 | | SCHRAUBE | 3X10 KS K | TAPPING SCREW |
| 2 | 63 | 1 | 1 | 1 | 1 | 165174060 | | DICHTUNG | | GASKET |
| 2 | 64 | 1 | 1 | 1 | 1 | 038174030 | | ZWISCHENSTÜCK | L=26,8mm | CONNECTING LINK |
| 2 | 65 | 1 | 1 | 1 | 1 | 908305405 | | SCHRAUBE INNEN6RD ZK | M5x40 | H.L. SOCKET HEAD BOLT |
| 2 | 66 | 1 | 1 | 1 | 1 | 165174180 | | KÜHLBLECH | | COOLING PLATE |
| 2 | 71 | 1 | 1 | 1 | 1 | 165118010 | | ABDECKHAUBE | | HOOD |
| 2 | 82 | 1 | 1 | 1 | 1 | 165118030 | | KAPPE | | HOOD CAP |
| 2 | 94a | 1 | 1 | 1 | 1 | 165174100 | | SCHALLDÄMPFER KPL. | KAT | MUFFLER CPL. |
| 2 | 114 | 1 | 1 | 1 | 1 | 181131070 | | RINGFEDER | | ANNULAR SPRING |



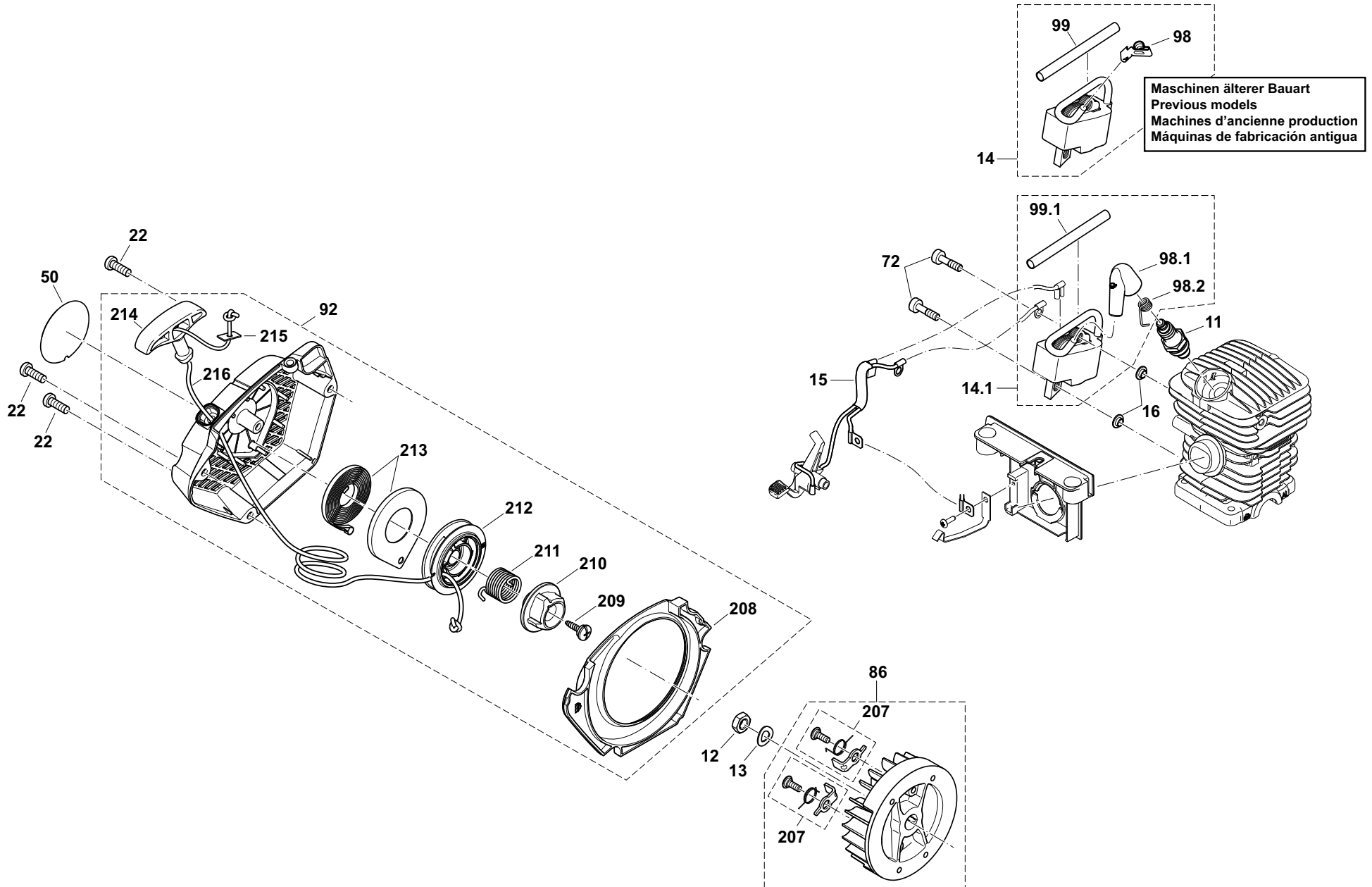
PS-32 C, PS-32 C TLC,
EA3200S, EA3201S

3

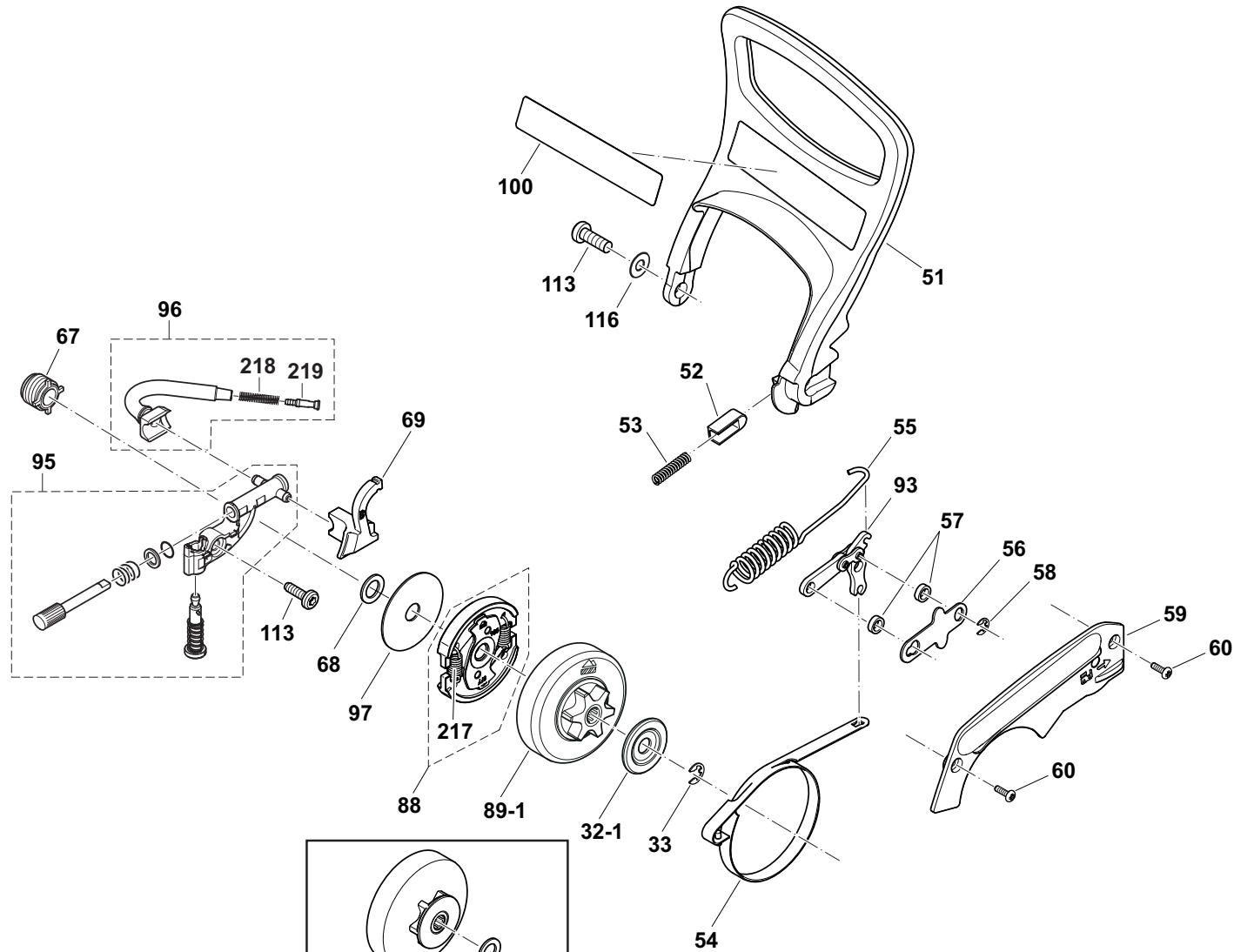
Zylinder, Kurbelwelle
Cylinder, crankshaft



| Seite / Page | Pos. | PS-32 C | PS-32 C TLC | EA3200S | EA3201S | Teil-Nr. Part No. | Hinweise Notes | Bezeichnung | Spezifikation Specification | Description |
|--------------|------|---------|-------------|---------|---------|----------------------|-------------------|---|--------------------------------|--|
| 3 | 4 | 1 | 1 | 1 | 1 | 962210082 | | NADELKÄFIG | K8X11X10 FKV11 | NEEDLE CAGE |
| 3 | 5 | 2 | 2 | 2 | 2 | 165111010 | | KUGELLAGER | 6201 | BALL BEARING |
| 3 | 6 | 2 | 2 | 2 | 2 | 962900057 | | RADIALDICHTRING | | RADIAL RING |
| 3 | 7 | 1 | 1 | 1 | 1 | 165111040 | | UNTERSCHALE | | CRANKCASE UNDERSIDE |
| 3 | 8 | 1 | 1 | 1 | 1 | 165111051 | | KURBELGEHÄUSEDICHTUNG | | CRANK CASE SEALING |
| 3 | 9 | 4 | 4 | 4 | 4 | 165110030 | | BUCHSE | 6 | BUSH |
| 3 | 10 | 4 | 4 | 4 | 4 | 913350404 | | SCHRAUBE | 5x40 E-JOT | SCREW |
| 3 | 17 | 1 | 1 | 1 | 1 | 165151300 | | STOPFEN | | PLUG |
| 3 | 22 | 17 | 17 | 17 | 17 | 913455164 | | INNENSTERN SCHRAUBE | 5,5X16 | SCREW |
| 3 | 31 | 1 | 1 | 1 | 1 | 165155020 | | CHOKEHEBEL | | CHOKE LEVER |
| 3 | 34 | 1 | 1 | 1 | 1 | 125117120 | | GASGESTÄNGE KPL. | | THROTTLE LINKAGE CPL. |
| 3 | 45 | 1 | 1 | 1 | 1 | 010155011 | | KRAFTSTOFFPUMPE | PRIMER | PRIMER |
| 3 | 48 | 4 | 4 | 4 | 4 | 165114150 | | DÄMPFUNGSFEDER | 12 | COMPRESSION SPRING |
| 3 | 70 | 1 | 1 | 1 | 1 | 010245030 | | BELÜFTUNGSVENTIL | | VENT VALVE |
| 3 | 83 | 1 | 1 | 1 | 1 | 165132130 | | KOLBENBOLZEN | 8 | PISTON PIN |
| 3 | 84 | 1 | 1 | 1 | 1 | 165132140 | | SPRENGRING | 8 | PRING RING |
| 3 | 85 | 1 | 1 | 1 | 1 | 165120100 | | KURBELWELLE KPL. | | CRANKSHAFT CPL. |
| 3 | 90 | 1 | 1 | 1 | 1 | 165120110 | | KURBELWELLE SET | INC. 5,6,85 | CRANKSHAFT SET |
| 3 | 91 | 2 | 2 | 2 | 2 | 181114202 | | TANKDECKEL KPL. | INC. 202 | TANK CAP ASSEMBLY |
| 3 | 101 | 1 | 1 | 1 | 1 | 980115961 | | AUFKLEBER | CHOKE I-0 | LABEL |
| 3 | 112 | 1 | 1 | 1 | 1 | 165111080 | | HITZESCHUTZFOLIE | | HEAT PROTECTION FOIL |
| 3 | 115 | 1 | 1 | 1 | 1 | 165250010 | | ZACKENLEISTE | | SPIKE BAR |
| 3 | 202 | 2 | 2 | 2 | 2 | 963229036 | | O-RING | 29,3X3,6 | O RING |
| 3 | 204 | 1 | 1 | 1 | 1 | 957131140 | | ZYLINDER / KOLBEN KPL. (MIT WINKELNIPPEL) | D38MM (INC. 220) INC. 205,220 | CYLINDER / PISTON CPL. (WITH ANGULAR NIPPLE) |
| 3 | 205 | 1 | 1 | 1 | 1 | 195760-8 | | KOLBEN KPL. | D38MM INC. 83,84,206 | PISTON CPL. |
| 3 | 206 | 1 | 1 | 1 | 1 | 194132020 | | KOLBENRING | Ø 38 | PISTON RING |
| 3 | 220 | 1 | 1 | 1 | 1 | 001151770 | | WINKELNIPPEL | | ANGULAR NIPPLE |



| Seite / Page | Pos. | PS-32 C | PS-32 C TLC | EA3200S | EA3201S | Teil-Nr. Part No. | Hinweise Notes | Bezeichnung | Spezifikation Specification | Description |
|--------------|------|---------|-------------|---------|---------|----------------------|-------------------|---------------------|--------------------------------|-----------------------|
| 4 | 11 | 1 | 1 | 1 | 1 | 965603030 | | ZÜNDKERZE | NGK CMR6A | SPARK PLUG |
| 4 | 12 | 1 | 1 | 1 | 1 | 920308024 | | 6KT-MUTTER | M8x1 | HEXAGONAL NUT |
| 4 | 13 | 1 | 1 | 1 | 1 | 926208001 | | FEDERSCHEIBE | B8 | SPRING WASHER |
| 4 | 14 | 1 | 1 | 1 | 1 | 165143101 | | ZÜNDSPULE KPL. | | IGNITION COIL, CPL. |
| 4 | 14.1 | 1 | 1 | 1 | 1 | 125143101 | | ZÜNDSPULE | | IGNITION COIL |
| 4 | 15 | 1 | 1 | 1 | 1 | 165147020 | | KABELBAUM | | CABLE HARNESS |
| 4 | 16 | 2 | 2 | 2 | 2 | 195143030 | | ISOLIERSCHEIBE | black | ISOLATING WASHER |
| 4 | 22 | 17 | 17 | 17 | 17 | 913455164 | | INNENSTERN SCHRAUBE | 5,5X16 | SCREW |
| 4 | 50 | 1 | 1 | | | 165115010 | | SCHILD | PS-32 | MODEL LABEL |
| 4 | 50 | | | 1 | | 891900-3 | | SCHILD | EA3200S | MODEL LABEL |
| 4 | 50 | | | | 1 | 891901-1 | | SCHILD | EA3201S | MODEL LABEL |
| 4 | 72 | 2 | 2 | 2 | 2 | 165888130 | | SCHRAUBE INNEN6RD | M5X20 PRECOTE | H.L. SOCKET HEAD BOLT |
| 4 | 86 | 1 | 1 | 1 | 1 | 165141101 | | POLRAD KPL. | | FLYWHEEL CPL. |
| 4 | 92 | 1 | 1 | | | 168603-7 | | STARTER KPL. ROT | | STARTER ASSY., RED |
| 4 | 92 | | | 1 | 1 | 165160601 | | STARTER KPL. BLAU | | STARTER ASSY., BLUE |
| 4 | 98 | 1 | 1 | 1 | 1 | 965604190 | | ZÜNDKERZENSTECKER | | SPARK PLUG CAP |
| 4 | 98.1 | 1 | 1 | 1 | 1 | 125143010 | | ZÜNDKERZENSTECKER | | SPARK PLUG CAP |
| 4 | 98.2 | 1 | 1 | 1 | 1 | 125143020 | | FEDER | | SPRING |
| 4 | 99 | m | m | m | m | 970502110 | | ISOLIERSCHLAUCH | A6X0,5 95 mm | INSULATING HOSE |
| 4 | 99.1 | m | m | m | m | 970502110 | | ISOLIERSCHLAUCH | A6X0,5 80 mm | INSULATING HOSE |
| 4 | 207 | 2 | 2 | 2 | 2 | 165166100 | | ANWERFKLINKE KPL. | | STARTER RATCHET CPL. |
| 4 | 208 | 1 | 1 | 1 | 1 | 165160021 | | LUFTFUHRUNG | | AIR GUIDE PLATE |
| 4 | 209 | 1 | 1 | 1 | 1 | 195160010 | | SCHRAUBE | 5X12 | TAPPING SCREW |
| 4 | 210 | 1 | 1 | 1 | 1 | 170160780 | | MITNEHMER | EASY START | STARTER WHEEL |
| 4 | 211 | 1 | 1 | 1 | 1 | 195160030 | | FEDER | | SPRING |
| 4 | 212 | 1 | 1 | 1 | 1 | 195160040 | | SEILTROMMEL | | CABLE DRUM CPL. |
| 4 | 213 | 1 | 1 | 1 | 1 | 195160110 | | RÜCKHOLFEDER | SET | REWIND SPRING |
| 4 | 214 | 1 | 1 | 1 | 1 | 195160070 | | ANWERFGRIF | | STARTER GRIP |
| 4 | 215 | 1 | 1 | 1 | 1 | 195160080 | | SCHEIBE | | WASHER |
| 4 | 216 | m | m | m | m | 985000150 | | ANWERFSEIL | ø 3 x 100 m | STARTER ROPE |
| 4 | 216 | 1 | 1 | 1 | 1 | 021164010 | | ANWERFSEIL | ø 3 x 900 mm | STARTER ROPE |



89 32

Maschinen älterer Bauart
Previous models
Machines d'ancienne production
Máquinas de fabricación antigua

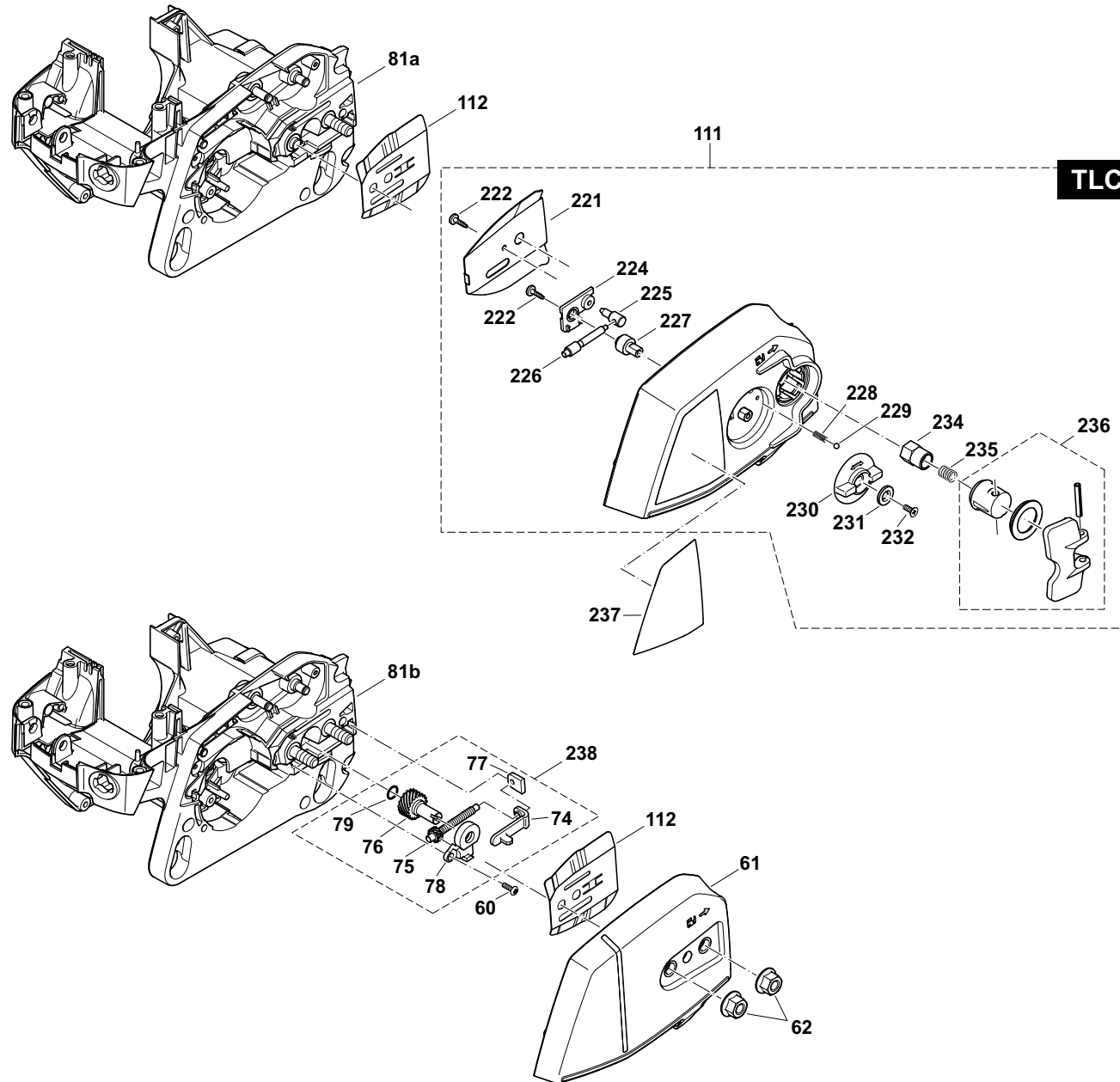
PS-32 C, PS-32 C TLC,
EA3200S, EA3201S

5

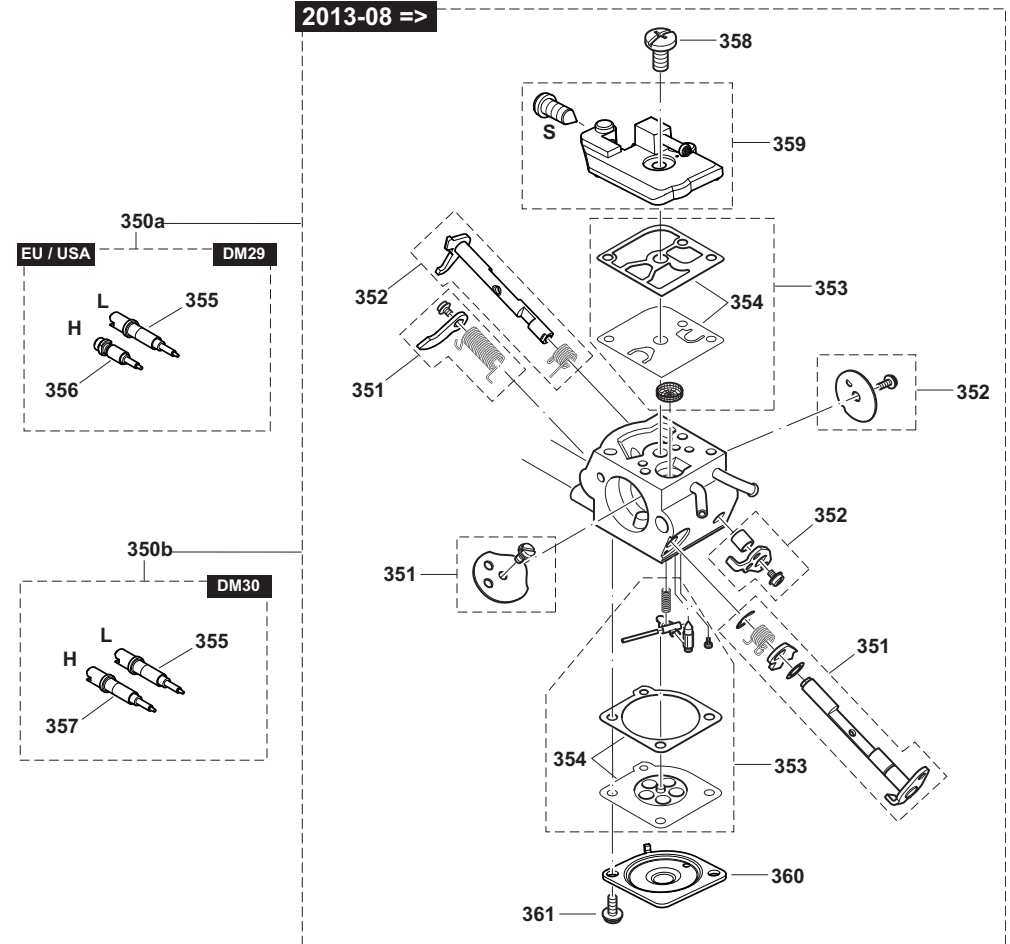
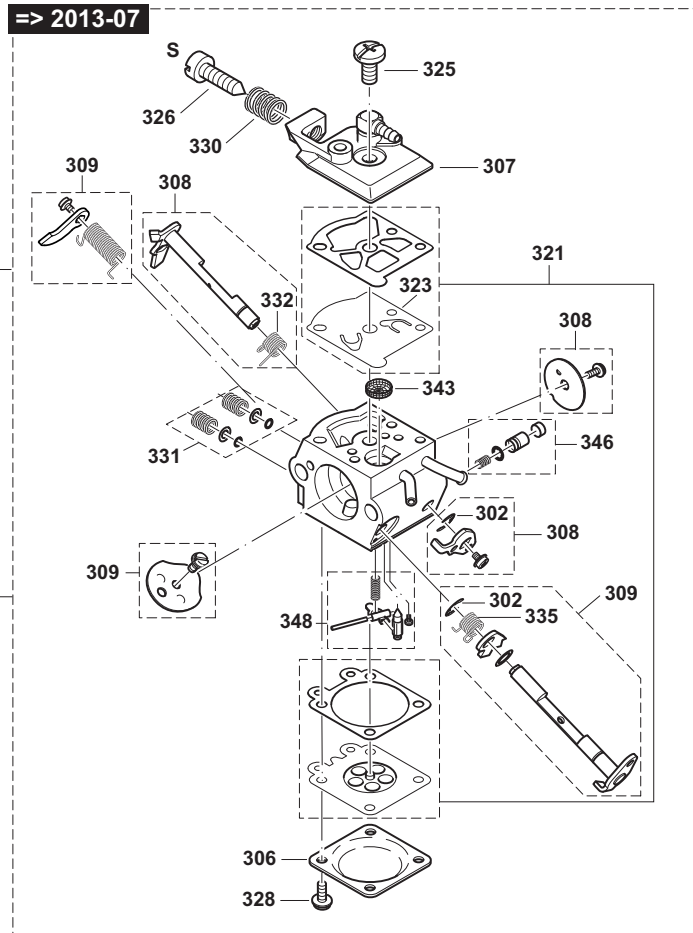
Ölpumpe, Kupplung, Kettenbremse
Oil pump, clutch, chain brake



| Seite / Page | Pos. | PS-32 C | PS-32 C TLC | EA3200S | EA3201S | Teil-Nr. Part No. | Hinweise Notes | Bezeichnung | Spezifikation Specification | Description |
|--------------|------|---------|-------------|---------|---------|----------------------|-------------------|------------------------|--------------------------------|--------------------|
| 5 | 32 | 1 | 1 | 1 | 1 | 900006065 | | PASSSCHEIBE | ø8/14x1 | WASHER |
| 5 | 32-1 | 1 | 1 | 1 | 1 | 267833-8 | | TOPFSCHLEIBE | 8 | CUP WASHER |
| 5 | 33 | 1 | 1 | 1 | 1 | 927306000 | | SICHERUNGSSCHLEIBE | | SAFETY WASHER |
| 5 | 51 | 1 | 1 | 1 | 1 | 165213051 | | HANDSCHUTZ | | HAND GUARD |
| 5 | 52 | 1 | 1 | 1 | 1 | 185213070 | | KULISSE FÜR HANDSCHUTZ | | HAND GUARD GUIDE |
| 5 | 53 | 1 | 1 | 1 | 1 | 181213060 | | DRUCKFEDER FÜR KULISSE | | COMPRESSION SPRING |
| 5 | 54 | 1 | 1 | 1 | 1 | 165213010 | | BREMSBAND | | BRAKE BAND |
| 5 | 55 | 1 | 1 | 1 | 1 | 165213120 | | ZUGFEDER | | TENSION SPRING |
| 5 | 56 | 1 | 1 | 1 | 1 | 165213130 | | ABSTANDSBLECH | | SPACER SHEET METAL |
| 5 | 57 | 2 | 2 | 2 | 2 | 165213140 | | BUCHSE | | BUSH |
| 5 | 58 | 1 | 1 | 1 | 1 | 927304000 | | SICHERUNGSSCHLEIBE | | SAFETY WASHER |
| 5 | 59 | 1 | 1 | 1 | 1 | 165213190 | | ABDECKUNG KETTENBREMSE | | CHAIN BRAKE COVER |
| 5 | 60 | 4 | 4 | 4 | 4 | 165888120 | | SCHRAUBE | 3X10 KS K | TAPPING SCREW |
| 5 | 67 | 1 | 1 | 1 | 1 | 165245130 | | SCHNECKE | | PUMP DRIVE |
| 5 | 68 | 1 | 1 | 1 | 1 | 036224041 | | DISTANZSCHLEIBE | ø10/16x2,2 | WASHER |
| 5 | 69 | 1 | 1 | 1 | 1 | 165245120 | | ÖLDRUCKLEITUNG | | OIL PRESSURE LINE |
| 5 | 88 | 1 | 1 | 1 | 1 | 165180200 | | KUPPLUNG KPL. | | CLUTCH ASSY. |
| 5 | 89 | 1 | 1 | 1 | 1 | 170223111 | | KUPPLUNGSTROMMEL KPL. | 3/8" | CLUTCH DRUM CPL. |
| 5 | 89-1 | 1 | 1 | 1 | 1 | 140484-1 | | KUPPLUNGSTROMMEL KPL. | 3/8" | CLUTCH DRUM CPL. |
| 5 | 93 | 1 | 1 | 1 | 1 | 181213100 | | BREMSMECHANIK KPL. | | BRAKING MECHANISM |
| 5 | 95 | 1 | 1 | 1 | 1 | 161346-0 | | ÖLPUMPE KPL. | | OIL PUMP CPL. |
| 5 | 96 | 1 | 1 | 1 | 1 | 181245100 | | ÖLSAUGLEITUNG KPL. | | SUCTION LINE CPL. |
| 5 | 97 | 1 | 1 | 1 | 1 | 165182060 | | FÜHRUNGSSCHLEIBE | 10 | FLAT WASHER |
| 5 | 100 | 1 | 1 | 1 | 1 | 185114237 | | SCHILD HANDSCHUTZ | | LABEL |
| 5 | 100 | 1 | 1 | 1 | 1 | 980115897 | | SICHERHEITSAUFKLEBER | US WARNING SPARKS | CAUTION LABEL |
| 5 | 113 | 2 | 2 | 2 | 2 | 165888110 | | SCHRAUBE INNEN6RD ZK K | 4,7X16 | H.L.TAPPING SCREW |
| 5 | 116 | 1 | 1 | 1 | 1 | 925305000 | | SCHLEIBE | ø5/12x0,5 | WASHER |
| 5 | 217 | 2 | 2 | 2 | 2 | 165184020 | | ZUGFEDER | 5 | TENSION SPRING |
| 5 | 218 | 1 | 1 | 1 | 1 | 021245060 | | DRUCKFEDER | | SPRING |
| 5 | 219 | 1 | 1 | 1 | 1 | 001245020 | | NIPPEL | | HOSE STEM |



| Seite / Page | Pos. | PS-32 C | PS-32 C TLC | EA3200S | EA3201S | Teil-Nr. Part No. | Hinweise Notes | Bezeichnung | Spezifikation Specification | Description |
|--------------|------|---------|-------------|---------|---------|----------------------|-------------------|---------------------------|--------------------------------|---------------------------|
| 6 | 60 | 4 | | | | 165888120 | | SCHRAUBE | 3X10 KS K | TAPPING SCREW |
| 6 | 61 | 1 | | | | 165213200 | | KETTENRADSCHUTZ KPL. ROT | RED | SPROCKET GUARD CPL. |
| 6 | 61 | | | 1 | | 452044-0 | | KETTENRADSCHUTZ BLAU KPL. | BLUE | SPROCKET GUARD CPL. |
| 6 | 62 | 2 | | 2 | | 923208004 | | 6KT-MUTTER | M8 | HEXAGONAL NUT |
| 6 | 74 | 1 | | 1 | | 165213240 | | SPANNSCHLITTEN | | TENSION SLIDE |
| 6 | 75 | 1 | | 1 | | 181213230 | | KETTENSPANNSCHRAUBE | PROFI | TENSIONING SCREW |
| 6 | 76 | 1 | | 1 | | 181213250 | | EINSTELLSCHRAUBE | PROFI | ADJUSTING SCREW |
| 6 | 77 | 1 | | 1 | | 181213260 | | SPANNSCHRAUBENLAGER | | TENSIONING SCREW BEARING |
| 6 | 78 | 1 | | 1 | | 181213270 | | GETRIEBEABDECKUNG | PROFI | TRANSMISSION COVER |
| 6 | 79 | 1 | | 1 | | 963207020 | | O-RING | 7X2 | PACKING RING |
| 6 | 81a | | 1 | | | 165110200 | | MOTORTRÄGER KPL. ROT | RED, TLC | ENGINE HOUSING COMPLETE |
| 6 | 81a | | | | 1 | 140482-5 | | MOTORTRÄGER KPL. BLAU | TLC | MOTOR HOUSING, CPL., BLUE |
| 6 | 81b | 1 | | | | 140476-0 | | MOTORTRÄGER KPL. ROT | | MOTOR HOUSING, CPL., RED |
| 6 | 81b | | | 1 | | 140477-8 | | MOTORTRÄGER KPL. BLAU | | MOTOR HOUSING, CPL., BLUE |
| 6 | 111 | | 1 | | | 142782-9 | | KETTENRADSCHUTZ KPL. | RED, TLC | SPROCKET GUARD COMPLETE |
| 6 | 111 | | | | 1 | 142783-7 | | KETTENRADSCHUTZ KPL. | BLUE, TLC | SPROCKET GUARD COMPLETE |
| 6 | 112 | 1 | 1 | 1 | 1 | 195213120 | | KETTENFÜHRUNGSBLECH | | GUIDE PLATE |
| 6 | 221 | | 1 | | 1 | 165213310 | | KETTENFÜHRUNGSBLECH | | GUIDE PLATE |
| 6 | 222 | | 2 | | 2 | 320266007 | | GEWINDESCHNEIDSCHRAUBE | 3X10 | TAPPING SCREW BIND |
| 6 | 224 | | 1 | | 1 | 170213670 | | KETTENSPANNABDECKUNG | | COVER |
| 6 | 225 | | 1 | | 1 | 170213660 | | SPANNMUTTER | | TENSIONING NUT |
| 6 | 226 | | 1 | | 1 | 170213650 | | SPANNSCHRAUBE | TLC | TENSIONING SCREW |
| 6 | 227 | | 1 | | 1 | 170213710 | | ANTRIEBSRAD | TLC | HELICAL GEAR |
| 6 | 228 | | 1 | | 1 | 170213690 | | FEDER FÜR STAHLKUGEL | 4 | SPRING |
| 6 | 229 | | 1 | | 1 | 170213770 | | STAHLKUGEL | 4 | LOCKING BALL |
| 6 | 230 | | 1 | | 1 | 226213340 | | SPANNRAD | 40 | TENSIONING WHEEL |
| 6 | 231 | | 1 | | 1 | 924204020 | | SCHEIBE FÜR SPANNRAD | 4X12X0,5 | WASHER |
| 6 | 232 | | 1 | | 1 | 226213380 | | SCHRAUBE | M4X8 (P+) | SCREW |
| 6 | 234 | | 1 | | 1 | 165213720 | | KLEMM-MUTTER | M8x1 | HEX. NUT |
| 6 | 235 | | 1 | | 1 | 170213730 | | FEDER FÜR KLEMMUTTER | 8 | SPRING |
| 6 | 236 | | 1 | | 1 | 170213150 | | FLÜGELGRIFF KPL. | | WING GRIP CPL. |
| 6 | 237 | | 1 | | 1 | 165115150 | | AUFKLEBER KETTENRADSCHUTZ | TLC | LABEL |
| 6 | 238 | 1 | | | 1 | 195213300 | | KETTENSPANNER KPL. | | CHAIN TENSIONER CPL. |



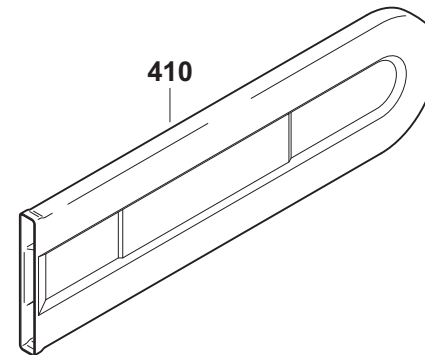
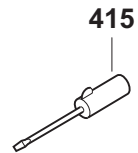
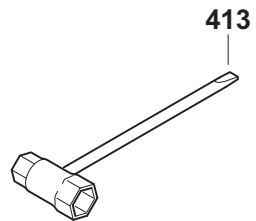
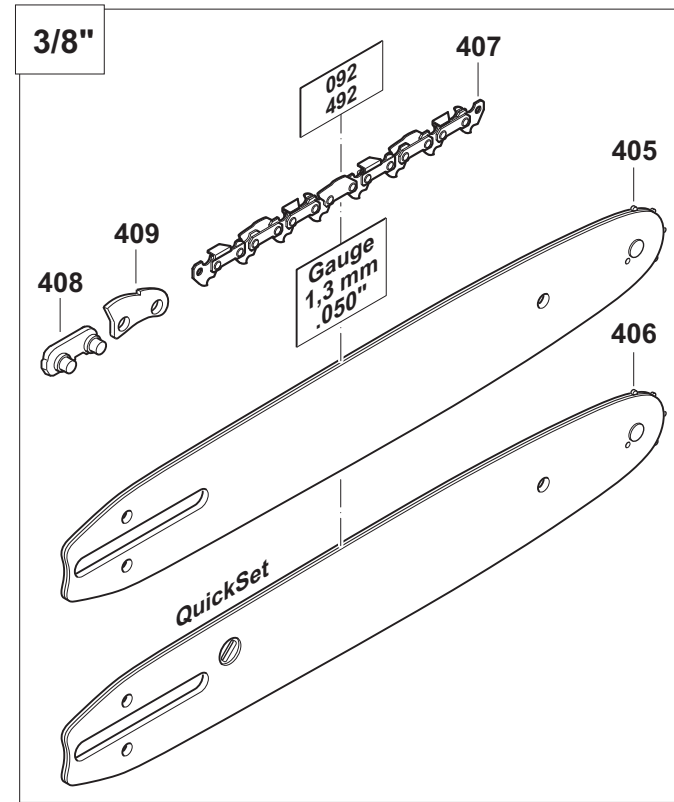
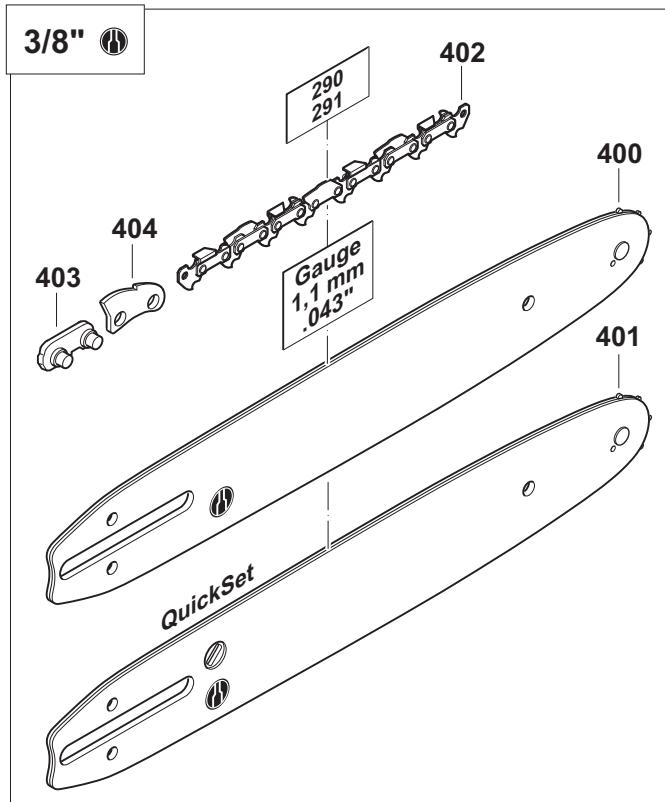
PS-32 C, PS-32 C TLC,
EA3200S, EA3201S

7

Vergaser
Carburetor



| Seite / Page | Pos. | PS-32 C | PS-32 C TLC | EA3200S | EA3201S | Teil-Nr. Part No. | Hinweise Notes | Bezeichnung | Spezifikation Specification | Description |
|--------------|------|---------|-------------|---------|---------|----------------------|-------------------|-------------------------------|---------------------------------------|-------------------------|
| 7 | 87a | 1 | 1 | 1 | 1 | 165151110 | => 2013-07 | VERGASER | WTE13Z - EU, USA | CARBURETOR |
| 7 | 87b | 1 | 1 | 1 | 1 | 165151100 | => 2013-07 | VERGASER | WTE13 | CARBURETOR |
| 7 | 302 | 1 | 1 | 1 | 1 | 119151350 | | WELLENSICHERUNG | | SHAFT CLIP |
| 7 | 306 | 1 | 1 | 1 | 1 | 021151120 | | MEMBRANDECKEL | | DIAPHRAGM COVER |
| 7 | 307 | 1 | 1 | 1 | 1 | 165151350 | | PUMPENDECKEL KPL. | | PUMP COVER CPL. |
| 7 | 308 | 1 | 1 | 1 | 1 | 165151200 | | REP.-SATZ DROSSELWELLE | | KIT THROTTLE SHAFT |
| 7 | 309 | 1 | 1 | 1 | 1 | 165151210 | | REP.-SATZ CHOKEWELLE | | KIT CHOKE SHAFT |
| 7 | 321 | 1 | 1 | 1 | 1 | 957151220 | | SATZ MEMBRANEN UND DICHTUNGEN | | SET DIAPHRAGM / GASKETS |
| 7 | 323 | 1 | 1 | 1 | 1 | 021151150 | | PUMPENMEMBRAN GUMMI | | PUMP DIAPHRAGM, RUBBER |
| 7 | 325 | 1 | 1 | 1 | 1 | 118151190 | | SCHRAUBE | | SCREW |
| 7 | 326 | 1 | 1 | 1 | 1 | 378151210 | | LEERLAUFANSCHLAGSCHRAUBE | S | IDLE SPEED SCREW |
| 7 | 328 | 4 | 4 | 4 | 4 | 378151220 | | SCHRAUBE | | SCREW |
| 7 | 330 | 1 | 1 | 1 | 1 | 021151230 | | DRUCKFEDER | S | COMPRESSION SPRING |
| 7 | 331 | 1 | 1 | 1 | 1 | 957151240 | | SATZ FEDERN UND SCHEIBEN | | SET SPRINGS / WASHERS |
| 7 | 332 | 1 | 1 | 1 | 1 | 001151310 | | DREHFEDER | | SPRING |
| 7 | 335 | 1 | 1 | 1 | 1 | 195151490 | | DREHFEDER | | SPRING |
| 7 | 337 | 1 | 1 | 1 | 1 | 195151520 | | LEERLAUF-STELLSCHRAUBE | L | IDLE ADJUSTMENT SCREW |
| 7 | 338 | 1 | 1 | 1 | 1 | 195151530 | | VOLLGAS-STELLSCHRAUBE | H | MAIN ADJUSTMENT SCREW |
| 7 | 343 | 1 | 1 | 1 | 1 | 021151180 | | SIEB | | SCREEN |
| 7 | 346 | 1 | 1 | 1 | 1 | 165151070 | | BESCHLEUNIGUNGSPUMPE KPL. | | ACCELERATOR |
| 7 | 348 | 1 | 1 | 1 | 1 | 165151230 | | SATZ STEUERTEILE | | SET OF CONTROL PARTS |
| 7 | 350a | 1 | 1 | 1 | 1 | 165153100 | 2013-08 => | VERGASER | DM29, DD - EU, USA (regulated market) | CARBURETOR |
| 7 | 350b | 1 | 1 | 1 | 1 | 165153200 | 2013-08 => | VERGASER | DM30 (non regulated market) | CARBURETOR |
| 7 | 351 | 1 | 1 | 1 | 1 | 125153580 | | REP.-SATZ CHOKEWELLE | | KIT CHOKE SHAFT |
| 7 | 352 | 1 | 1 | 1 | 1 | 125153570 | | REP.-SATZ DROSSELWELLE | | KIT THROTTLE SHAFT |
| 7 | 353 | 1 | 1 | 1 | 1 | 195153510 | | REPARATURSATZ VERGASER | | REPAIR KIT |
| 7 | 354 | 1 | 1 | 1 | 1 | 195153500 | | SATZ DICHTUNGEN / MEMBRANEN | | SET GASKETS / DIAPHRAGM |
| 7 | 355 | 1 | 1 | 1 | 1 | 195153340 | | STELLSCHRAUBE | L | ADJUST SCREW |
| 7 | 356 | 1 | 1 | 1 | 1 | 195153350 | | STELLSCHRAUBE | H, DD - EU, USA (regulated market) | ADJUST SCREW |
| 7 | 357 | 1 | 1 | 1 | 1 | 195153470 | | STELLSCHRAUBE | H (non regulated market) | ADJUST SCREW |
| 7 | 358 | 1 | 1 | 1 | 1 | 038153360 | | SCHRAUBE FÜR PUMPENDECKEL | | SCREW |
| 7 | 359 | 1 | 1 | 1 | 1 | 125153220 | | PUMPENDECKEL KPL. | | PUMP COVER CPL. |
| 7 | 360 | 1 | 1 | 1 | 1 | ZJ00000028 | | MEMBRANDECKEL | | DIAPHRAGM COVER |
| 7 | 361 | 2 | 2 | 2 | 2 | 001153020 | | SCHRAUBE FÜR REGELDECKEL | | SCREW |



PS-32 C, PS-32 C TLC,
EA3200S, EA3201S

8

Werkzeuge, Zubehör
Tools, accessories



| Seite / Page | Pos. | PS-32 C | PS-32 C TLC | EA3200S | EA3201S | Teil-Nr. Part No. | Hinweise Notes | Bezeichnung | Spezifikation Specification | Description |
|--------------|------|---------|-------------|---------|---------|----------------------|-------------------|-----------------------|--------------------------------|-----------------------|
| 8 | 400 | 1 | 1 | | | 412030611 | | STERNSCHIENE | 3/8" .043" 30cm-12" | SPROCKET NOSE BAR |
| 8 | 400 | 1 | 1 | | | 412035611 | | STERNSCHIENE | 3/8" .043" 35cm-14" | SPROCKET NOSE BAR |
| 8 | 400 | | | 1 | 1 | 442030611 | | STERNSCHIENE | 3/8" .043" 30cm-12" | SPROCKET NOSE BAR |
| 8 | 400 | | | 1 | 1 | 165246-6 | | STERNSCHIENE | 3/8" .043" 35cm-14" | SPROCKET NOSE BAR |
| 8 | 401 | 1 | | | | 412030211 | | STERNSCHIENE QUICKSET | 3/8" .043" 30cm-12" | SPROCKET NOSE BAR |
| 8 | 401 | 1 | | | | 412035211 | | STERNSCHIENE QUICKSET | 3/8" .043" 35cm-14" | SPROCKET NOSE BAR |
| 8 | 402 | 1 | 1 | | | 511291746 | | SÄGEKETTE | 3/8" .043" 30cm-12" | SAW CHAIN |
| 8 | 402 | 1 | 1 | | | 511291752 | | SÄGEKETTE | 3/8" .043" 35cm-14" | SAW CHAIN |
| 8 | 402 | | | 1 | 1 | 531291046 | | SÄGEKETTE | 3/8" .043" 30cm-12" | SAW CHAIN |
| 8 | 402 | | | 1 | 1 | 196741-5 | | SÄGEKETTE | 3/8" .043" 35cm-14" | SAW CHAIN |
| 8 | 403 | 1 | 1 | 1 | 1 | 510090010 | | AUSSENLASCHE MIT NIET | 3/8" .043" | TIE STRAP WITH RIVETS |
| 8 | 404 | 1 | 1 | 1 | 1 | 510090030 | | SICHERHEITSLASCHE | 3/8" .043" | SAFETY TIE STRAP |
| 8 | 405 | 1 | 1 | | | 412030661 | | STERNSCHIENE | 3/8" .050" 30cm-12" | SPROCKET NOSE BAR |
| 8 | 405 | 1 | 1 | | | 412035661 | | STERNSCHIENE | 3/8" .050" 35cm-14" | GUIDE BAR |
| 8 | 405 | 1 | 1 | | | 412040661 | | STERNSCHIENE | 3/8" .050" 40cm-16" | SPROCKET NOSE BAR |
| 8 | 405 | | | 1 | 1 | 442030661 | | STERNSCHIENE | 3/8" .050" 30cm-12" | SPROCKET NOSE BAR |
| 8 | 405 | | | 1 | 1 | 442035661 | | STERNSCHIENE | 3/8" .050" 35cm-14" | SPROCKET NOSE BAR |
| 8 | 405 | | | 1 | 1 | 442040661 | | STERNSCHIENE | 3/8" .050" 40cm-16" | SPROCKET NOSE BAR |
| 8 | 406 | 1 | | | | 412030061 | | STERNSCHIENE QUICKSET | 3/8" .050" 30cm-12" | SPROCKET NOSE BAR |
| 8 | 406 | 1 | | | | 412035061 | | STERNSCHIENE QUICKSET | 3/8" .050" 35cm-14" | SPROCKET NOSE BAR |
| 8 | 406 | 1 | | | | 412040061 | | STERNSCHIENE QUICKSET | 3/8" .050" 40cm-16" | SPROCKET NOSE BAR |
| 8 | 406 | | | 1 | | 442030061 | | STERNSCHIENE QUICKSET | 3/8" .050" 30cm-12" | SPROCKET NOSE BAR |
| 8 | 407 | 1 | 1 | | | 511492756 | | SÄGEKETTE | 3/8" .050" 40cm-16" | SAW CHAIN |
| 8 | 407 | 1 | 1 | | | 511492752 | | SÄGEKETTE | 3/8" .050" 35cm-14" | SAW CHAIN |
| 8 | 407 | 1 | 1 | | | 511492746 | | SÄGEKETTE | 3/8" .050" 30cm-12" | SAW CHAIN |
| 8 | 407 | | | 1 | 1 | 531492656 | | SÄGEKETTE | 3/8" .050" 40cm-16" | SAW CHAIN |
| 8 | 407 | | | 1 | 1 | 531492652 | | SÄGEKETTE | 3/8" .050" 35cm-14" | SAW CHAIN |
| 8 | 407 | | | 1 | 1 | 531492646 | | SÄGEKETTE | 3/8" .050" 30cm-12" | SAW CHAIN |
| 8 | 408 | 1 | 1 | 1 | 1 | 558092010 | | AUSSENLASCHE MIT NIET | 3/8" .050" | TIE STRAP WITH RIVETS |
| 8 | 409 | 1 | 1 | 1 | 1 | 558092000 | | SICHERHEITSLASCHE | 3/8" .050" | SAFETY TIE STRAP |
| 8 | 410 | 1 | 1 | | | 952010130 | | KETTENSCHUTZ | 30 cm | CHAIN PROTECTION |
| 8 | 410 | 1 | 1 | | | 952010140 | | KETTENSCHUTZ | 43 cm | CHAIN PROTECTION |
| 8 | 410 | | | 1 | 1 | 419559-0 | | KETTENSCHUTZ | 30 cm | CHAIN PROTECTION |
| 8 | 410 | | | 1 | 1 | 952010640 | | KETTENSCHUTZ | 43 cm | CHAIN PROTECTION |
| 8 | 413 | 1 | 1 | 1 | 1 | 941713161 | | KOMBISCHLÜSSEL | SW 13/16 | UNIVERSAL WRENCH |
| 8 | 415 | 1 | 1 | 1 | 1 | 783012-5 | | SCHRAUBENDREHER | | SCREWDRIVER |

PS-32 C, PS-32 C TLC,
EA3200S, EA3201S



| | Zeichenerklärung | Key to symbols |
|--|--|---|
| => 1999999 2000000 => 2003.04 => TI 2003/07 Acc. = { m Corr. | Produktion bis Serien-Nr. Neues Teil ab Serien-Nr. Neues Teil ab Jahr / Monat Siehe Technische Information Jahr / Nr. Zubehör (nicht im Lieferumfang) Keine Serienausführung, jedoch verwendbar Beinhaltet Positions-Nr. Meterware Druckfehlerberichtigung | Production to serial number New part from serial number New part from Year / Month See Technical Infromation Year / No. Accessories (not included in the delivery inventory) No standard execution, may be used Contains item number Sold by the meter Error correction |
| | Änderungen vorbehalten | Specifications subject to change without notice |