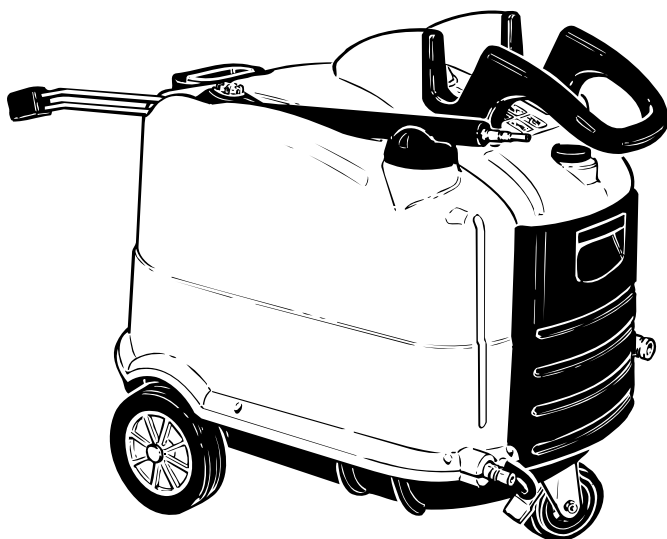


Ersatzteilliste

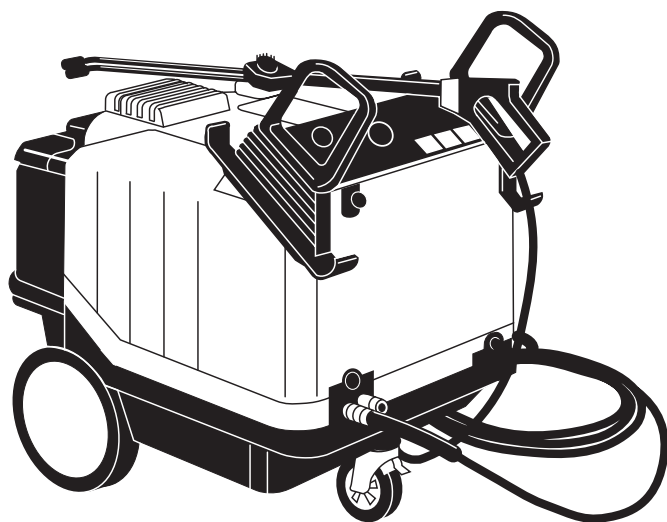
Spare Parts List

8/99



HP-145 H (30 HA I)

HP-155 H (30 HA)



HP-160 H (Valiant)

HP-1600 H (3040 HA)

DOLMAR

995 700 184 (D, GB)



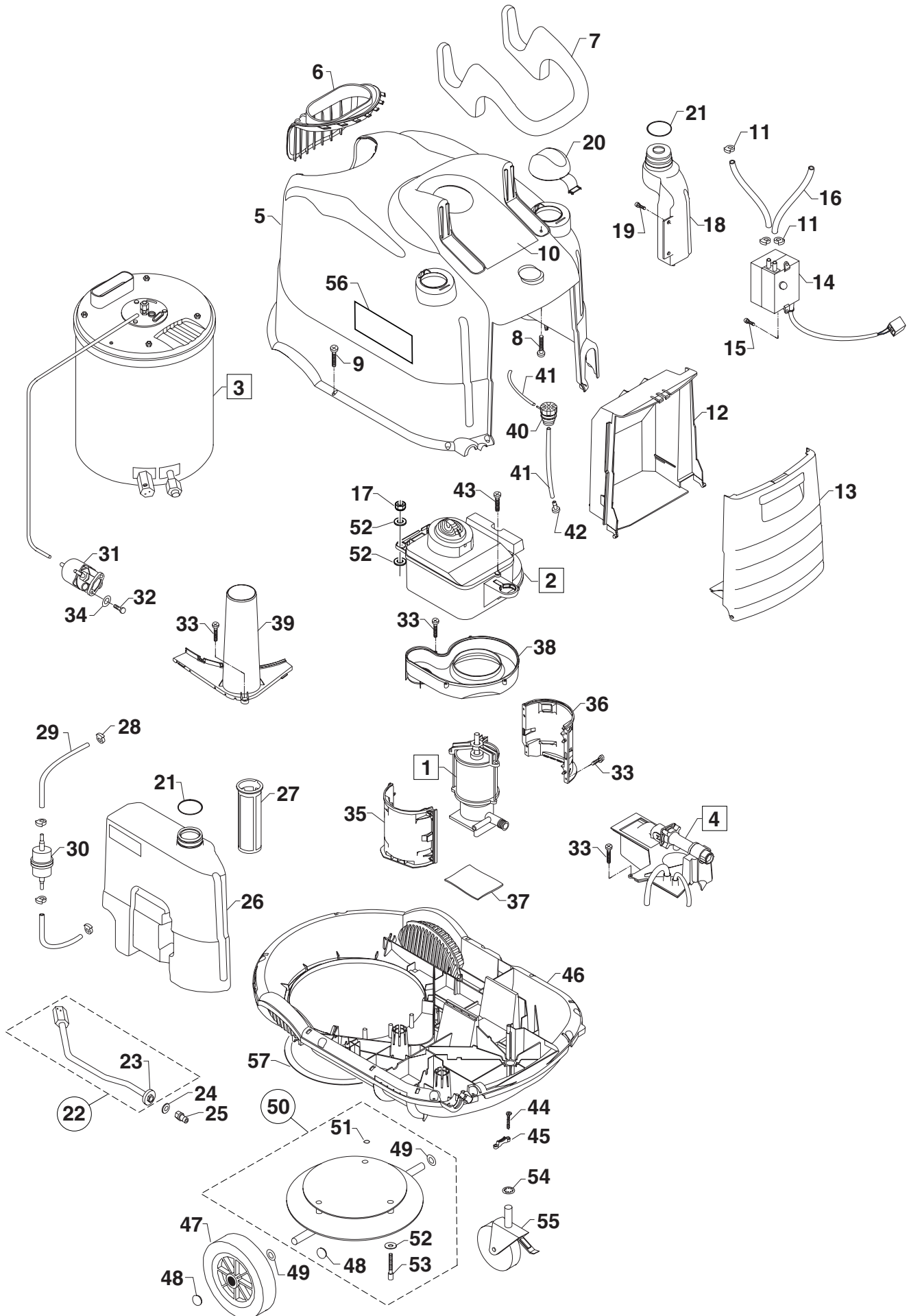
HP-145 H
HP-155 H
HP-160 H
HP-1600 H

2

Gehäuse
Cabinet

HP-145 H, HP-155 H

DOLMAR



| | | | | 2 | Gehäuse Cabinet | HP-145 H, HP-155 H | DOLMAR  | |
|------|--------------------|---|--|----------|----------------------|---------------------------|--|---------------------------------|
| Pos. | Anzahl Quantity | | | | Teil-Nr. Part No. | Hinweise Notes | Benennung | Description |
| 1 | 1 | 1 | | | - | Seite/Page 3/4 | Motorpumpeneinheit kpl. | Motor pump unit cpl. |
| 2 | 1 | 1 | | | - | Seite/Page 5 | Elektrogehäuse kpl. | Connection box cpl. |
| 3 | 1 | 1 | | | - | Seite/Page 6 | Kessel | Boiler |
| 4 | 1 | 1 | | | - | Seite/Page 7 | Deckel f. Schwimmergehäuse kpl. | Cover for float chamber cpl. |
| 5 | 1 | 1 | | | 607 181 636 | | Gehäuse, ROT | Cabinet, RED |
| 6 | 1 | 1 | | | 607 181 631 | | Kesselschutzschirm | Boiler shield |
| 7 | 1 | 1 | | | 607 181 610 | | Handbügel | Driving handle |
| 8 | 4 | 4 | | | 601 814 616 | | Schraube | Screw |
| 9 | 8 | 8 | | | 601 814 614 | | Schraube | Screw |
| 10 | 1 | | | | 607 181 891 | | Aufkleber | Label |
| 10 | 1 | | | | 607 181 892 | | Aufkleber | Label |
| 11 | 3 | 3 | | | 601 814 151 | | Schlauchschelle | Hose clip |
| 12 | 1 | 1 | | | 607 181 618 | | Fach für Reinigungsmittelbehälter | Shelf for detergent container |
| 13 | 1 | 1 | | | 607 181 619 | | Vorderteil für Behälter | Front for shelf |
| 14 | 1 | 1 | | | 603 821 624 | | "No scale" Pumpe 230-440V | "No scale" Pump |
| 15 | 2 | 2 | | | 601 814 590 | | Schraube | Screw |
| 16 | 2 | 2 | | | 602 450 003 | | Schlauch 400 mm | Hose |
| 17 | 2 | 2 | | | 601 800 515 | | Sicherungsmutter | Lock nut |
| 18 | 1 | 1 | | | 607 181 623 | | "No scale" Behälter | "No scale" Container |
| 19 | 2 | 2 | | | 601 814 601 | | Schraube | Screw |
| 20 | 2 | 2 | | | 607 181 620 | | Deckel | Cover |
| 21 | 4 | 4 | | | 603 004 284 | | O-Ring | O-ring |
| 22 | 1 | 1 | | | 607 181 905 | | Rep.-Satz, Auslaßrohr | Repair kit, outlet pipe |
| 23 | 1 | 1 | | | 606 184 282 | | Gummidichtung | Rubber gasket |
| 24 | 1 | 1 | | | 601 801 075 | | Dichtungsscheibe | Sealing washer |
| 25 | 1 | 1 | | | 601 600 493 | | Schnellkupplungsniessel (H.d.) | Nipple f. quick coup. (H.p.) |
| 25 | 1 | 1 | | | 601 603 101 | | Schnellkupplungsniessel (H.d.) RF | Nipple f. quick coup. (H.p.) SS |
| 26 | 1 | 1 | | | 607 181 624 | | Brennstoffbehälter | Fuel tank |
| 27 | 1 | 1 | | | 601 604 222 | | Filter | Strainer |
| 28 | 4 | 4 | | | 601 810 084 | | Schlauchschelle | Hose clip |
| 29 | 2 | 2 | | | 602 402 790 | | Brennstoffschlauch | Fuel hose |
| 30 | 1 | 1 | | | 606 184 100 | | Brennstofffilter | Fuel filter |
| 31 | 1 | 1 | | | 603 821 583 | | Brennstoffpumpe 220-440V | Fuel pump |
| 32 | 2 | 2 | | | 601 800 721 | | Schraube | Screw |
| 33 | 10 | | | | 601 814 601 | | Schraube | Screw |
| 34 | 2 | 2 | | | 601 800 440 | | Scheibe | Washer |
| 35 | 1 | 1 | | | 607 181 627 | | Motorverkleidung, links | Motor shell, left |
| 36 | 1 | 1 | | | 607 181 628 | | Motorverkleidung, rechts | Motor shell, right |
| 37 | 1 | 1 | | | 607 181 018 | | Gummiplatte | Rubber plate |
| 38 | 1 | 1 | | | 607 181 625 | | Gebälsegehäuse | Fan housing |
| 39 | 1 | 1 | | | 607 181 630 | | Luftführung | Air funnel |
| 40 | 1 | 1 | | | 607 180 907 | | Dosierungseinheit | Dosing unit |
| 41 | 2 | 2 | | | 602 450 004 | | Schlauch ø1/4" x 1200 mm | Hose |
| 42 | 1 | 1 | | | 606 400 240 | | Filter | Filter |
| 43 | 3 | 3 | | | 601 814 508 | | Schraube | Screw |
| 44 | 2 | 2 | | | 606 122 531 | | Schraube | Screw |
| 45 | 1 | 1 | | | 603 806 262 | | Zugentlastung | Cable lead-in |
| 46 | 1 | 1 | | | 607 181 600 | | Chassis | Chassis |
| 47 | 2 | 2 | | | 602 013 514 | | Rad | Wheel |
| 48 | 2 | 2 | | | 607 180 737 | | Radkappe, SCHWARZ | Hup cap, BLACK |
| 49 | 2 | 2 | | | 601 814 618 | | Scheibe | Washer |
| 50 | 1 | 1 | | | 607 181 902 | | Radachse / Kesselunterteil | Wheel axle / boiler bottom |
| 51 | 3 | 3 | | | 603 002 193 | | O-Ring | O-ring |
| 52 | 7 | 7 | | | 601 800 796 | | Scheibe | Washer |
| 53 | 3 | 3 | | | 601 813 385 | | Schraube M8x60 | Screw |
| 54 | 1 | 1 | | | 601 814 626 | | Sicherungsring | Circlip |
| 55 | 1 | 1 | | | 602 013 496 | | Lenkrad | Steerable wheel |
| 56 | 2 | 2 | | | 604 209 521 | | Schild | Label |
| 57 | 1 | 1 | | | 605 218 652 | | Schaumgummileiste | Foam |

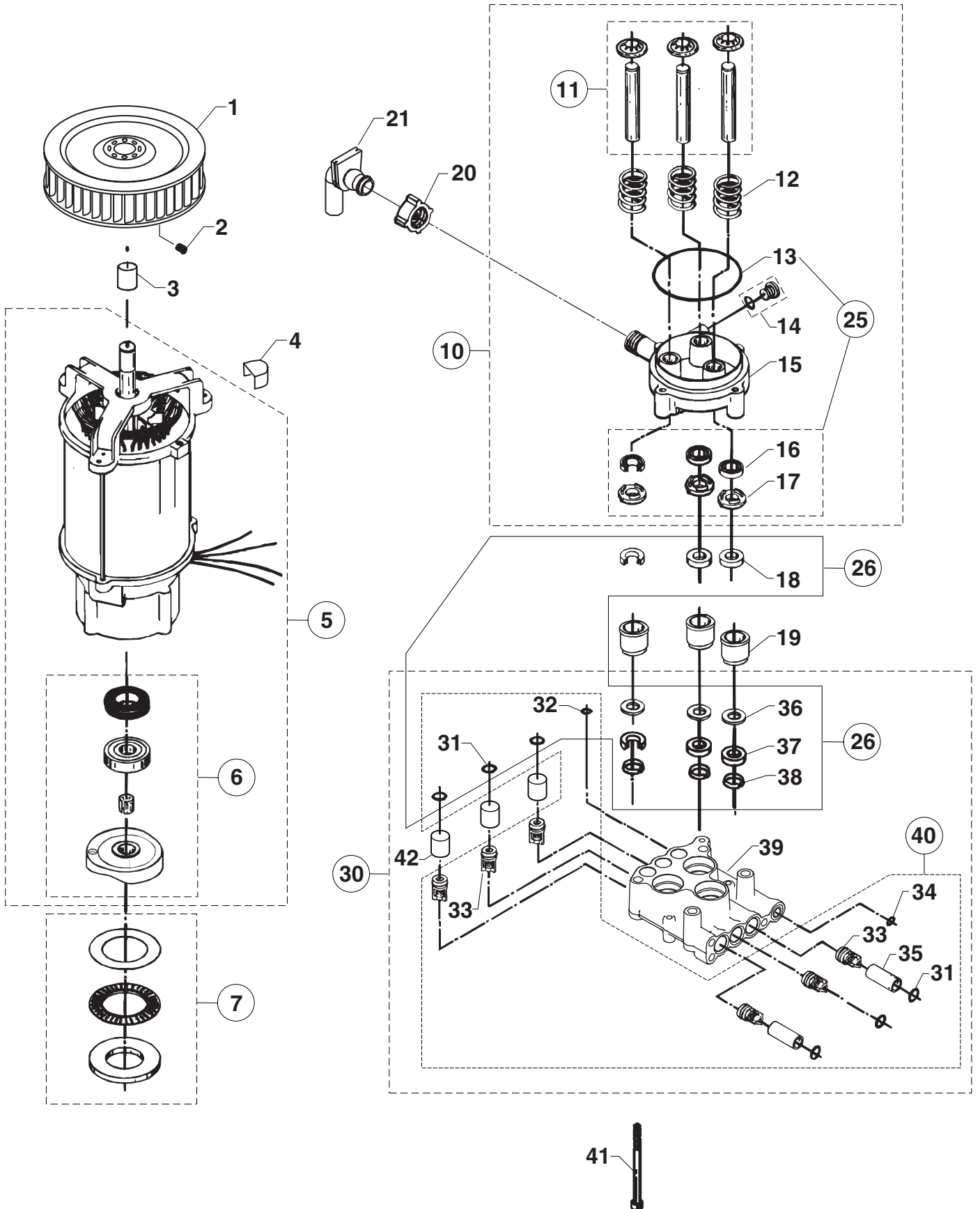
HP-145 H
HP-155 H
HP-160 H
HP-1600 H


3

Motor, Pumpe
Motor, pump

HP-145 H, HP-155 H

DOLMAR



| HP-145 H HP-155 H HP-160 H HP-1600 H | | | | | | | | | | 3 | | Motor, Pumpe Motor, pump | | HP-145 H, HP-155 H | |  | |
|---|--------------------|---|--|--|--|--|--|--|--|---|----------------------|-----------------------------|--|--------------------------------|--|---|--|
| Pos. | Anzahl Quantity | | | | | | | | | | Teil-Nr. Part No. | Hinweise Notes | Benennung | Description | | | |
| 1 | 1 | 1 | | | | | | | | | 607 181 225 | | Gebläserad | Impeller | | | |
| 2 | 1 | 1 | | | | | | | | | 601 800 358 | | Schraube M6x8 | Screw | | | |
| 3 | 1 | 1 | | | | | | | | | 607 181 226 | | Buchse | Bush | | | |
| 4 | 3 | 3 | | | | | | | | | 607 181 629 | | Schwingungsdämpfer | Damper | | | |
| 5 | 1 | | | | | | | | | | 607 181 921 | | Motor m. Taumelsch. 230/240V | Motor with wobble disc | | | |
| 5 | 1 | | | | | | | | | | 607 181 926 | | Motor m. Taumelsch. 400V | Motor with wobble disc | | | |
| 6 | 1 | | | | | | | | | | 601 119 704 | | Rep.-Satz, Taumelscheibe 50Hz | Repair kit, wobble disc | | | |
| 6 | 1 | | | | | | | | | | 601 119 703 | | Rep.-Satz, Taumelscheibe 50Hz | Repair kit, wobble disc | | | |
| 7 | 1 | 1 | | | | | | | | | 601 119 705 | | Rep.-Satz, Lager | Repair kit, bearing | | | |
| 10 | 1 | 1 | | | | | | | | | 607 181 908 | | Zylinderblock kpl. | Cylinder block cpl. | | | |
| 11 | 1 | 1 | | | | | | | | | 601 119 791 | | Rep.-Satz, Kolben | Repair kit, piston | | | |
| 12 | 3 | 3 | | | | | | | | | 602 602 490 | | Feder | Spring | | | |
| 13 | 1 | 1 | | | | | | | | | 603 003 654 | | O-Ring | O-ring | | | |
| 14 | 2 | 2 | | | | | | | | | 606 122 313 | | Pfropfen mit O-Ring | Plug with O-ring | | | |
| 15 | 1 | 1 | | | | | | | | | 607 181 005 | | Zylinderblock | Cylinder block | | | |
| 16 | 3 | 3 | | | | | | | | | 603 003 696 | | Ölmanschette | Oil sleeve | | | |
| 17 | 3 | 3 | | | | | | | | | 607 181 006 | | Druckring | Thrust collar | | | |
| 18 | 3 | 3 | | | | | | | | | 603 004 259 | | Dichtung | Gasket | | | |
| 19 | 3 | 3 | | | | | | | | | 607 181 020 | | Druckring | Thrust collar | | | |
| 20 | 1 | 1 | | | | | | | | | 601 604 958 | | Überwurfmutter | Union nut | | | |
| 21 | 1 | 1 | | | | | | | | | 607 181 704 | | Saugrohr, Einlaß | Suction tube, inlet | | | |
| 25 | 1 | 1 | | | | | | | | | 601 119 800 | | Rep.-Satz, Öldichtung | Repair kit, oil seal | | | |
| 26 | 1 | 1 | | | | | | | | | 601 119 801 | | Rep.-Satz, Dichtungssystem | Repair kit, sealing system | | | |
| 30 | 1 | 1 | | | | | | | | | 607 181 910 | | Zylinderkopf kpl. | Cylinder head cpl. | | | |
| 31 | 6 | 6 | | | | | | | | | 603 004 222 | | O-Ring | O-ring | | | |
| 32 | 1 | 1 | | | | | | | | | 603 001 823 | | O-Ring | O-ring | | | |
| 33 | 6 | 6 | | | | | | | | | 607 180 906 | | Ventil kpl. | Valve cpl. | | | |
| 34 | 1 | 1 | | | | | | | | | 603 003 688 | | O-Ring | O-ring | | | |
| 35 | 2 | 2 | | | | | | | | | 606 122 475 | | Zwischenstück | Spacer | | | |
| 36 | 3 | 3 | | | | | | | | | 603 004 277 | | Stützring | Back-up ring | | | |
| 37 | 3 | 3 | | | | | | | | | 603 004 227 | | U-Manschette | U-sleeve | | | |
| 38 | 3 | 3 | | | | | | | | | 603 004 228 | | WS-Ring | WS-ring | | | |
| 39 | 1 | 1 | | | | | | | | | 601 119 797 | ⇒ 9/98 | Zylinderkopf (inkl. Pos. 42) | Cylinder head | | | |
| 39 | 1 | 1 | | | | | | | | | 607 181 028 | 10/98 ⇒ | Zylinderkopf (exkl. Pos. 42) | Cylinder head | | | |
| 40 | 1 | 1 | | | | | | | | | 601 119 707 | | Rep.-Satz, Ventilsystem | Repair kit, valve system | | | |
| 41 | 4 | 4 | | | | | | | | | 601 814 589 | | Schraube M8x90 | Screw | | | |
| 42 | 3 | 3 | | | | | | | | | 607 181 029 | 10/98 ⇒ | Buchse | Bush | | | |
| • | 1 | 1 | | | | | | | | | 605 218 433 | | "Castrol, Alphasyn-T" ISO 150 1 L (Füllmenge 100 ml) | Pump oil (Filling vol. 100 ml) | | | |

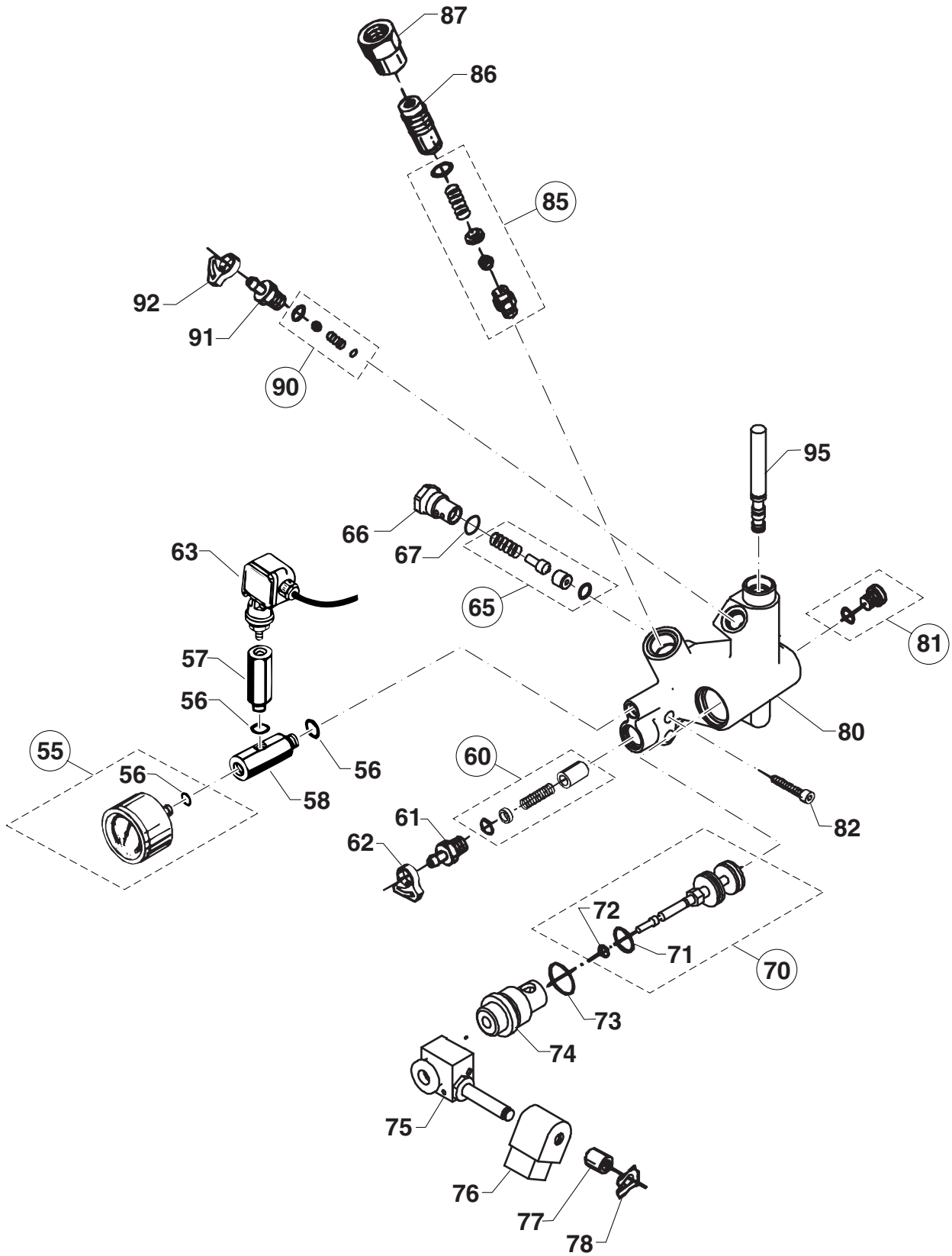
HP-145 H
HP-155 H
HP-160 H
HP-1600 H

4

Umlaufventil
By-pass valve

HP-145 H, HP-155 H

DOLMAR



HP-145 H
HP-155 H
HP-160 H
HP-1600 H

4

Umlaufventil
By-pass valve

HP-145 H, HP-155 H



| Pos. | Anzahl Quantity | | | | | | | | | | Teil-Nr. Part No. | Hinweise Notes | Benennung | Description | |
|------|--------------------|---|--|--|--|--|--|--|--|--|----------------------|-------------------|--------------------------------|----------------------------------|--|
| 55 | 1 | 1 | | | | | | | | | 607 180 931 | | Manometer mit O-Ring | Pressure gauge with O-ring | |
| 56 | 2 | 2 | | | | | | | | | 603 003 662 | | O-Ring | O-ring | |
| 57 | 1 | 1 | | | | | | | | | 607 181 017 | | Verlängerungsstück | Extension piece | |
| 58 | 1 | 1 | | | | | | | | | 607 181 031 | | Verlängerungsstück mit Bohrung | Extension piece | |
| 60 | 1 | 1 | | | | | | | | | 601 119 789 | | Rep.-Satz, Entlüftungsventil | Repair kit, venting valve | |
| 61 | 1 | 1 | | | | | | | | | 607 181 014 | | Schlauchstutzen | Hose tail | |
| 62 | 1 | 1 | | | | | | | | | 601 814 029 | | Schlauchschele | Hose clip | |
| 63 | 1 | 1 | | | | | | | | | 607 181 913 | | Druckschalter kpl. 11 bar | Pressure switch cpl. | |
| 65 | 1 | 1 | | | | | | | | | 601 119 790 | | Rep.-Satz, Haltedruckventil | Rep. kit, retaining press. valve | |
| 66 | 1 | 1 | | | | | | | | | 607 181 002 | | Pfropfen | Plug | |
| 67 | 1 | 1 | | | | | | | | | 603 000 064 | | O-Ring | O-ring | |
| 70 | 1 | 1 | | | | | | | | | 601 119 795 | | Ventilkegel kpl. | Valve cone cpl. | |
| 71 | 1 | 1 | | | | | | | | | 603 003 860 | | O-Ring | O-ring | |
| 72 | 1 | 1 | | | | | | | | | 603 000 387 | | O-Ring | O-ring | |
| 73 | 1 | 1 | | | | | | | | | 603 001 963 | | O-Ring | O-ring | |
| 74 | 1 | 1 | | | | | | | | | 606 184 525 | | Pfropfen | Plug | |
| 75 | 1 | 1 | | | | | | | | | 607 181 935 | | Dampfstufe | Steam stage | |
| 76 | 1 | 1 | | | | | | | | | 603 821 579 | | Spule 220-440V | Coil | |
| 77 | 1 | 1 | | | | | | | | | 606 184 533 | | Buchse | Bush | |
| 78 | 1 | 1 | | | | | | | | | 601 813 591 | | Sicherungsklemme | Locking clip | |
| 80 | 1 | 1 | | | | | | | | | 607 181 010 | | Ventilgehäuse | Valve housing | |
| 81 | 1 | 1 | | | | | | | | | 606 180 913 | | Verschlußpfropfen mit O-Ring | Hole plug with O-ring | |
| 82 | 3 | 3 | | | | | | | | | 601 813 864 | | Schraube | Screw | |
| 85 | 1 | 1 | | | | | | | | | 601 118 512 | | Rep.-Satz, Sicherheitsventil | Repair kit, safety valve | |
| 86 | 1 | 1 | | | | | | | | | 606 100 940 | | Justierschraube | Adjustment screw | |
| 87 | 1 | 1 | | | | | | | | | 606 100 928 | | Gegenmutter | Lock nut | |
| 90 | 1 | 1 | | | | | | | | | 601 119 200 | | Rep.-Satz, Rückschlagventil | Repair kit, non return valve | |
| 91 | 1 | 1 | | | | | | | | | 606 180 659 | | Schlauchstutzen | Hose tail | |
| 92 | 1 | 1 | | | | | | | | | 601 814 029 | | Schlauchschele | Hose clip | |
| 95 | 1 | | | | | | | | | | 607 181 907 | | Injektordüse mit O-Ring | Injector nozzle with O-ring | |
| 95 | | 1 | | | | | | | | | 607 181 906 | | Injektordüse mit O-Ring | Injector nozzle with O-ring | |

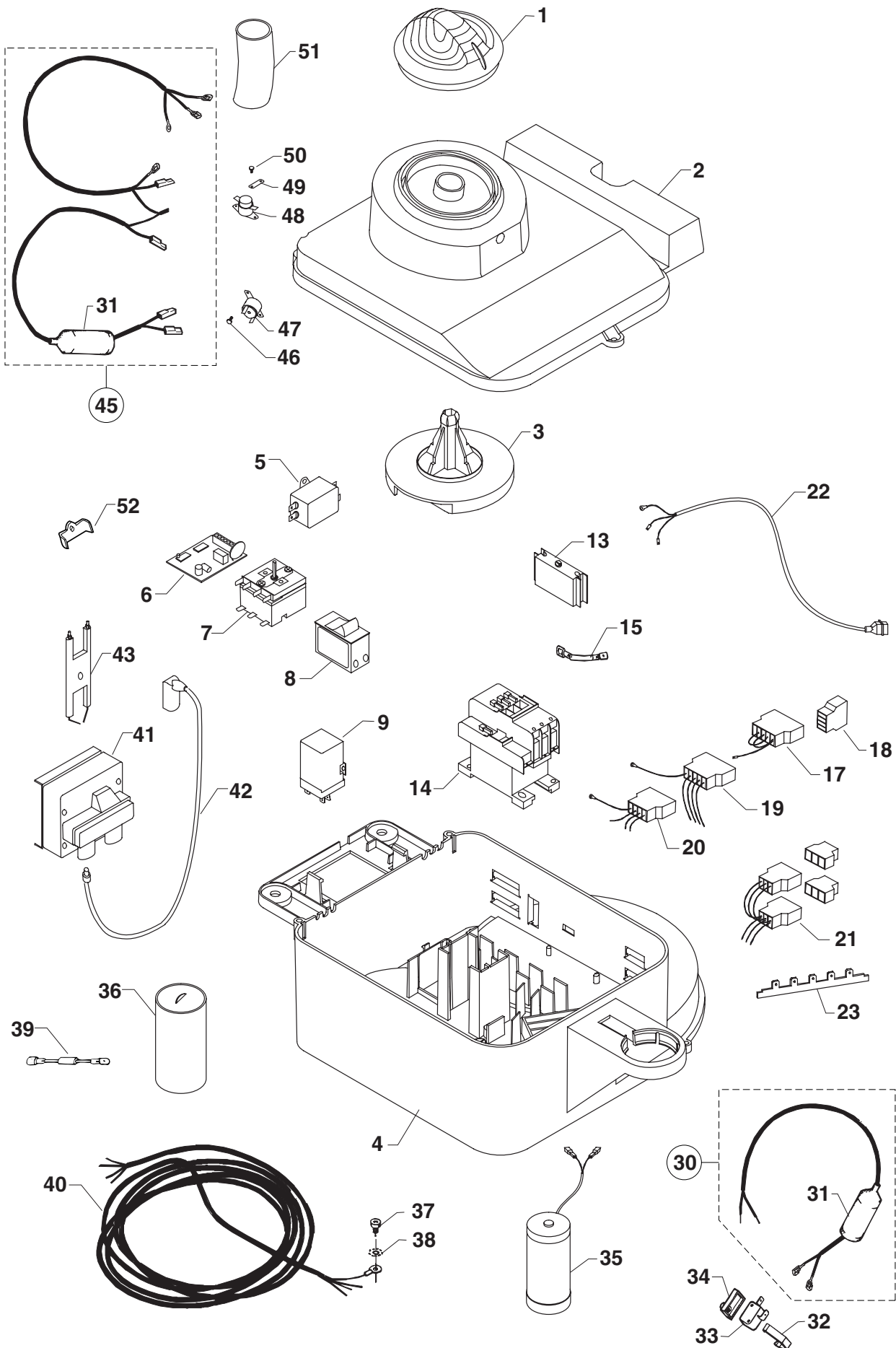
HP-145 H
HP-155 H
HP-160 H
HP-1600 H

5

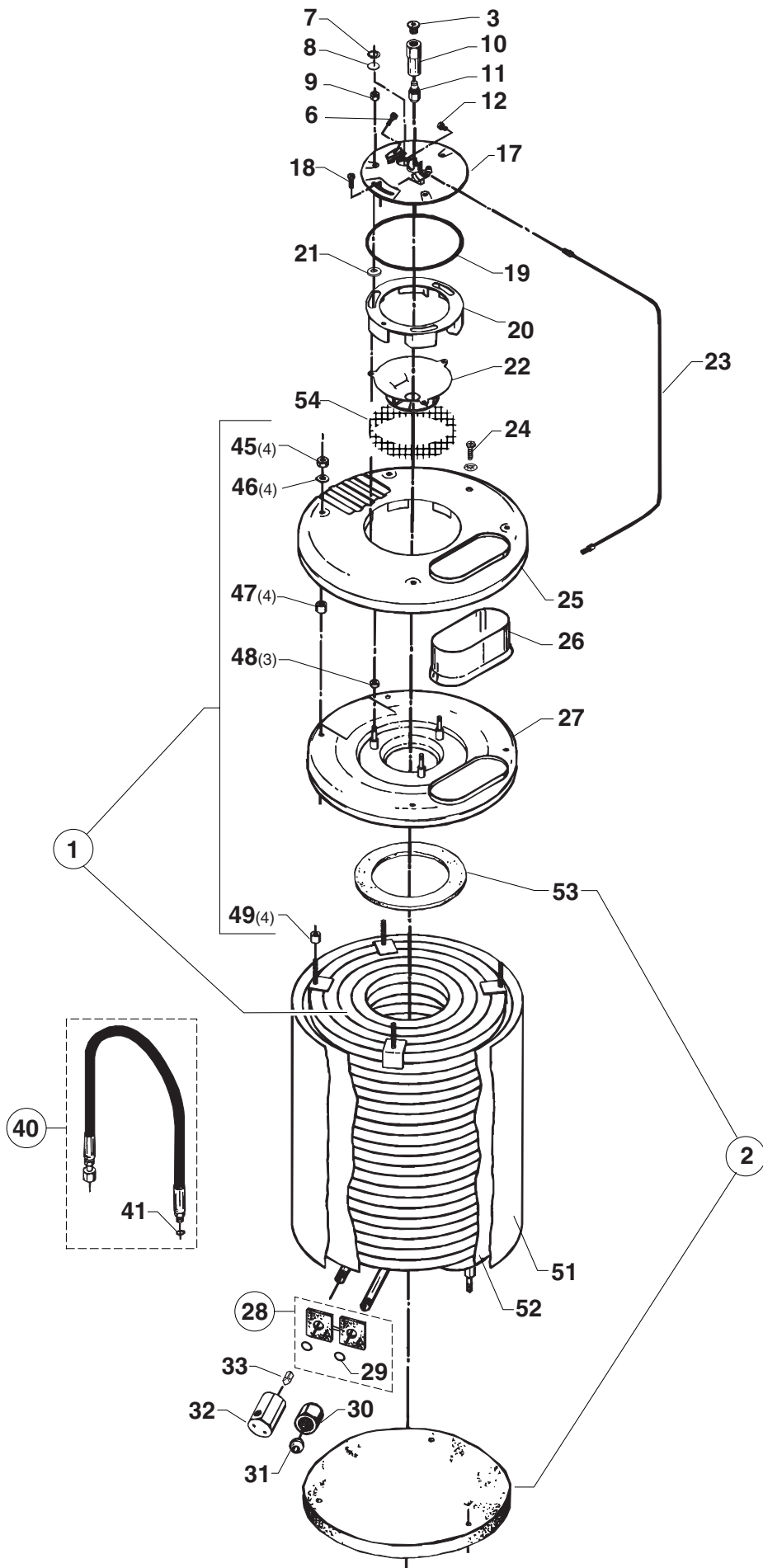
Elektrogehäuse
Connection box

HP-145 H, HP-155 H

DOLMAR



| <div style="display: flex; justify-content: space-between; align-items: center;"> <div style="display: flex; flex-direction: column; gap: 2px;"> <div style="border: 1px solid black; padding: 2px;">HP-145 H</div> <div style="border: 1px solid black; padding: 2px;">HP-155 H</div> <div style="border: 1px solid black; padding: 2px;">HP-160 H</div> <div style="border: 1px solid black; padding: 2px;">HP-1600 H</div> </div> <div style="text-align: center; font-size: 2em; font-weight: bold;">5</div> <div style="text-align: center;"> Elektrogehäuse Connection box </div> <div style="text-align: center; font-size: 1.2em; font-weight: bold;">HP-145 H, HP-155 H</div> <div style="text-align: right;">  </div> </div> | | | | | | | | | | | | | |
|--|--------------------|---|--|--|--|--|--|--|--|----------------------|-------------------|--|--|
| Pos. | Anzahl Quantity | | | | | | | | | Teil-Nr. Part No. | Hinweise Notes | Benennung | Description |
| 1 | 1 | 1 | | | | | | | | 607 181 617 | | Drehschalter | Adjusting knob |
| 2 | 1 | 1 | | | | | | | | 607 181 614 | | Deckel für Elektrogehäuse | Cover for connection box |
| 3 | 1 | 1 | | | | | | | | 607 181 641 | | Kurvenscheibe | Curve washer |
| 4 | 1 | 1 | | | | | | | | 607 181 611 | | Elektrogehäuse | Connection box |
| 5 | 1 | 1 | | | | | | | | 603 821 686 | | Störschutzfilter | Interference filter |
| 6 | 1 | 1 | | | | | | | | 606 420 050 | | El. Steuerungseinheit | El. control circuit board |
| 7 | 1 | 1 | | | | | | | | 603 821 588 | | Hauptregelthermostat | Master thermostat |
| 8 | 1 | | | | | | | | | 603 821 613 | | Schalter 220-240V, 13A | Switch |
| 8 | 1 | | | | | | | | | 603 821 501 | | Schalter 400V, 6A | Switch |
| 9 | 1 | | | | | | | | | 603 821 582 | | Anlaufrelais, BLAU | Starter relay, BLUE |
| 13 | 1 | 1 | | | | | | | | 603 821 683 | | Zeitschalter | Timer |
| 14 | 1 | | | | | | | | | 603 821 438 | | Schütz CI15 16A 230V, 50Hz | Contactator |
| 14 | 1 | | | | | | | | | 603 821 439 | | Schütz CI15 16A 400V, 50Hz | Contactator |
| 15 | 1 | | | | | | | | | 607 180 245 | | Widerstand | Resistance |
| 17 | 1 | | | | | | | | | 607 181 421 | | Stecker 5-polig kpl. Y | Plug 5-polar cpl. |
| 18 | 1 | | | | | | | | | 607 181 419 | | Stecker 4-polig kpl. Y | Plug 4-polar cpl. |
| 19 | 1 | | | | | | | | | 607 181 420 | | Stecker 5-polig kpl. 3 ph. | Plug 5-polar cpl. |
| 20 | 1 | | | | | | | | | 607 181 418 | | Stecker 5-polig kpl. 1 ph. | Plug 5-polar cpl. |
| 21 | 1 | | | | | | | | | 607 181 423 | | Stecker 3-polig kpl. (Brennstoff- / "No Scale" Pumpe) | Plug 3-polar cpl. (Fuel pump / "No Scale" pump) |
| 22 | 1 | 1 | | | | | | | | 607 181 426 | | Kabel für Dampfstufe | Cable for steam stage |
| 23 | 3 | 3 | | | | | | | | 607 181 416 | | Spatenreihenklemme | Spade terminal block |
| 30 | 1 | 1 | | | | | | | | 603 830 062 | | Zwischenkabel kpl. S/S | Interconnecting cable cpl. |
| 31 | 2 | 2 | | | | | | | | 606 523 047 | | Gummitülle | Rubber bush |
| 32 | 1 | 1 | | | | | | | | 606 522 759 | | Bügel für Schalter S/S | Bracket for switch |
| 33 | 1 | 1 | | | | | | | | 603 821 437 | | Mikroschalter S/S | Micro switch |
| 34 | 1 | 1 | | | | | | | | 606 522 765 | | Schalteraufnahme S/S | Fixture for switch |
| 35 | 1 | | | | | | | | | 603 821 343 | | Kondensator (Betrieb) 50 µF | Capacitor (operation) |
| 36 | 1 | | | | | | | | | 603 821 342 | | Kondensator (Start) 50 µF | Capacitor (start-up) |
| 37 | 1 | 1 | | | | | | | | 601 800 606 | | Erdschraube M4x10 | Earth screw |
| 38 | 2 | 2 | | | | | | | | 601 800 655 | | Scheibe | Washer |
| 39 | 1 | | | | | | | | | 607 180 290 | | Kondensator 0,68 µF | Capacitor |
| 40 | 1 | | | | | | | | | 607 180 226 | | Anschlußkabel 1 ph. | El. cable |
| 40 | 1 | | | | | | | | | 607 180 201 | | Anschlußkabel 3 ph. | El. cable |
| 41 | 1 | 1 | | | | | | | | 607 181 440 | | Zündtransformator / Kühlplatte | Ignition transf. / cooling plate |
| 42 | 2 | 2 | | | | | | | | 607 181 443 | | Zündkabel | Ignition cable |
| 43 | 1 | 1 | | | | | | | | 607 181 221 | | Halter für Elektrode | Holder for electrode |
| 45 | 1 | 1 | | | | | | | | 607 181 439 | | Kabel kpl. | Cable cpl. |
| 46 | 2 | 2 | | | | | | | | 601 803 139 | | Schraube M3x6 | Screw |
| 47 | 1 | 1 | | | | | | | | 603 821 684 | => | Thermostat 70° | Thermostat |
| 47 | 1 | 1 | | | | | | | | 603 819 859 | <= | Automatischer Thermostat 60° | Thermostat |
| 48 | 1 | 1 | | | | | | | | 603 821 685 | | Thermostat 150° | Thermostat |
| 49 | 1 | 1 | | | | | | | | 607 181 437 | | Lasche für Erdverbindung | Tab for earth connection |
| 50 | 2 | 2 | | | | | | | | 601 803 139 | | Schraube M3x6 | Screw |
| 51 | 1 | 1 | | | | | | | | 607 181 716 | | Schlauch 2" | Hose |
| 52 | 1 | 1 | | | | | | | | 606 184 328 | | Bügel für Elektrodenhalter | Clamp for elektrode holder |



HP-145 H
HP-155 H
HP-160 H
HP-1600 H

6

Kessel
Boiler

HP-145 H, HP-155 H

DOLMAR



| Pos. | Anzahl Quantity | Teil-Nr. Part No. | Hinweise Notes | Benennung | Description |
|------|--------------------|----------------------|-------------------|-------------------------------------|------------------------------------|
| 1 | 1 1 | 607 181 904 | | Heizschlange mit Muttern | Coil with nuts |
| 2 | 1 1 | 601 119 794 | | Isoliersatz | Insulation kit |
| 3 | 3 3 | 606 180 913 | | Verschlusspfropfen mit O-Ring | Hole plug with O-ring |
| 6 | 1 1 | 601 805 464 | | Schraube für Elektroden M4x16 | Screw for electrodes |
| 7 | 1 1 | 601 814 611 | | Sicherungsring | Circlip |
| 8 | 1 1 | 606 184 295 | | Schauglas | Inspection glass |
| 9 | 3 3 | 601 802 743 | | Mutter M5 | Nut |
| 10 | 1 1 | 607 181 216 | | Düsensitz | Holder for nozzle |
| 11 | 1 | 602 802 647 | | Brennstoffdüse 4,24 kg/h | Fuel nozzle |
| 11 | 1 | 602 802 445 | | Brennstoffdüse 4,71 kg/h | Fuel nozzle |
| 12 | 1 1 | 601 803 717 | | Schraube für Düse 4x6 | Screw for nozzle |
| 17 | 1 1 | 606 240 262 | | Deckel für Kessel | Cover for boiler |
| 18 | 1 1 | 601 813 575 | => | Schraube M5x12 | Screw |
| 18 | 1 1 | 601 814 516 | =< | Schraube M5x16 | Screw |
| 19 | 1 1 | 606 184 296 | | Dichtung | Gasket |
| 20 | 1 1 | 606 184 255 | | Luftschieber | Air throttle |
| 21 | 3 3 | 601 807 999 | | Scheibe | Washer |
| 22 | 1 1 | 606 184 350 | | Luftverteiler | Air distributor |
| 23 | 1 1 | 607 181 325 | | Brennstoffleitung kpl. | Fuel pipe cpl. |
| 24 | 1 1 | 601 813 781 | | Schraube M5x8 | Screw |
| 25 | 1 1 | 606 184 281 | | Kesseloberteil, außen | Boiler top, outer section |
| 26 | 1 1 | 606 184 259 | | Schornstein | Chimney |
| 27 | 1 1 | 606 184 360 | | Kesseloberteil, innen | Boiler top, inner section |
| 28 | 2 2 | 607 181 326 | | Einlaß für Kesselrohr | Lead-in for boiler pipe |
| 29 | 4 4 | 603 004 278 | | O-Ring | O-ring |
| 30 | 1 1 | 606 184 288 | | Überwurfmutter | Union nut |
| 31 | 1 1 | 606 184 287 | | Nippel | Nipple |
| 32 | 1 1 | 607 181 220 | | Einlaßstutzen | Socket for inlet |
| 33 | 1 1 | 607 181 026 | | Kolben | Piston |
| 40 | 1 1 | 601 450 005 | | Interner H.d. Schlauch mit O-Ring | Internal h.p. hose with O-ring |
| 41 | 1 1 | 603 000 072 | | O-Ring | O-ring |
| 45 | 4 4 | 601 803 725 | | Mutter M8 | Nut |
| 46 | 4 4 | 601 800 796 | | Scheibe | Washer |
| 47 | 4 4 | 606 184 275 | | Buchse | Bush |
| 48 | 3 3 | 606 184 294 | | Buchse | Bush |
| 49 | 4 4 | 606 184 293 | | Buchse | Bush |
| 51 | 1 1 | 607 181 202 | | Außenmantel für Kessel | Boiler jacket, outer |
| 52 | 1 1 | 607 181 909 | | Innenmantel mit Isolation f. Kessel | Boiler jacket w. insulation, inner |
| 53 | 1 1 | 601 119 700 | | Heizschlangendichtung | Coil gasket |
| 54 | 1 1 | 606 184 322 | | Luftfilter | Air filter |

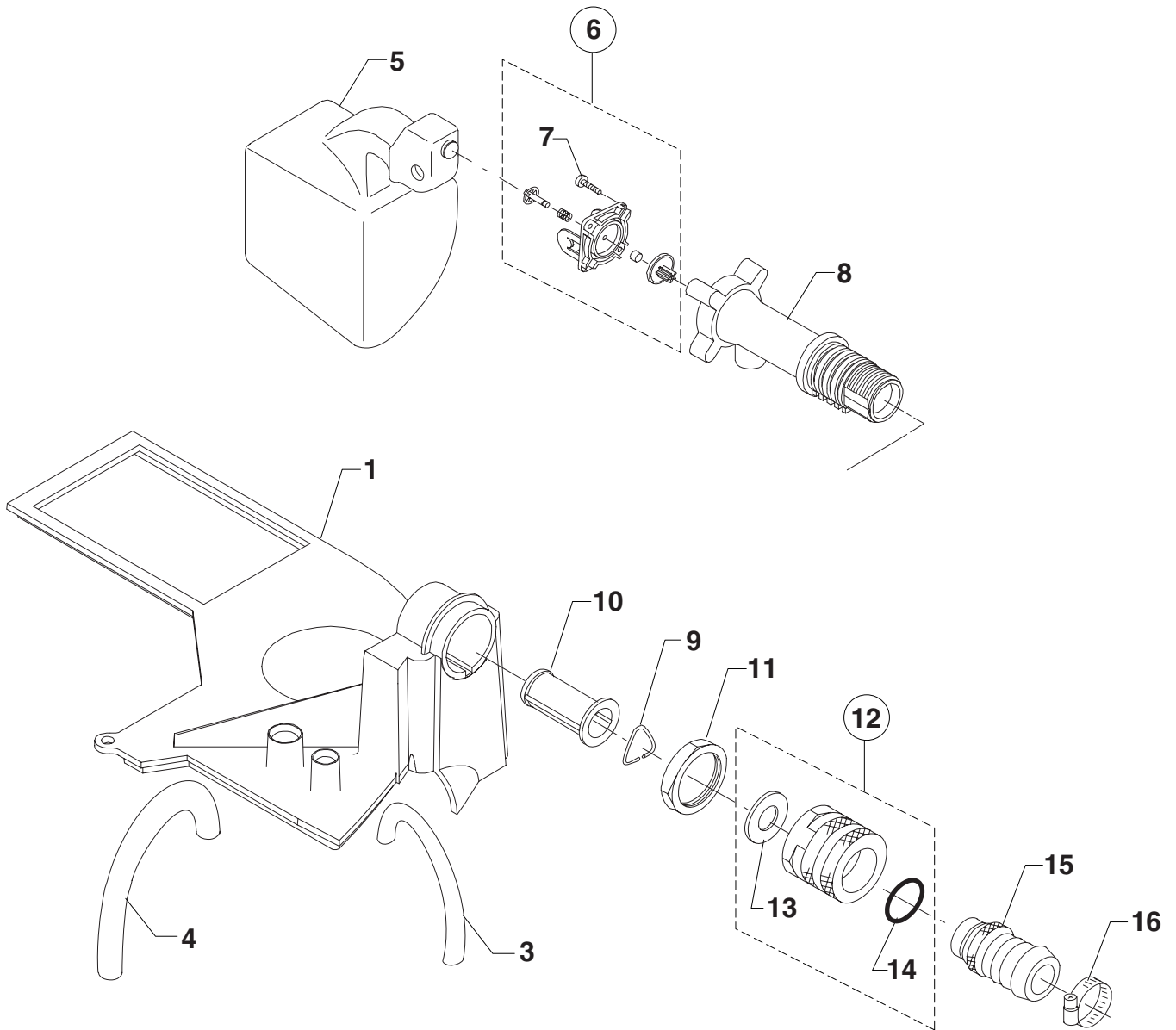
HP-145 H
HP-155 H
HP-160 H
HP-1600 H

7

Deckel für Schwimmergehäuse
Cover for float chamber

HP-145H, HP-155H

DOLMAR



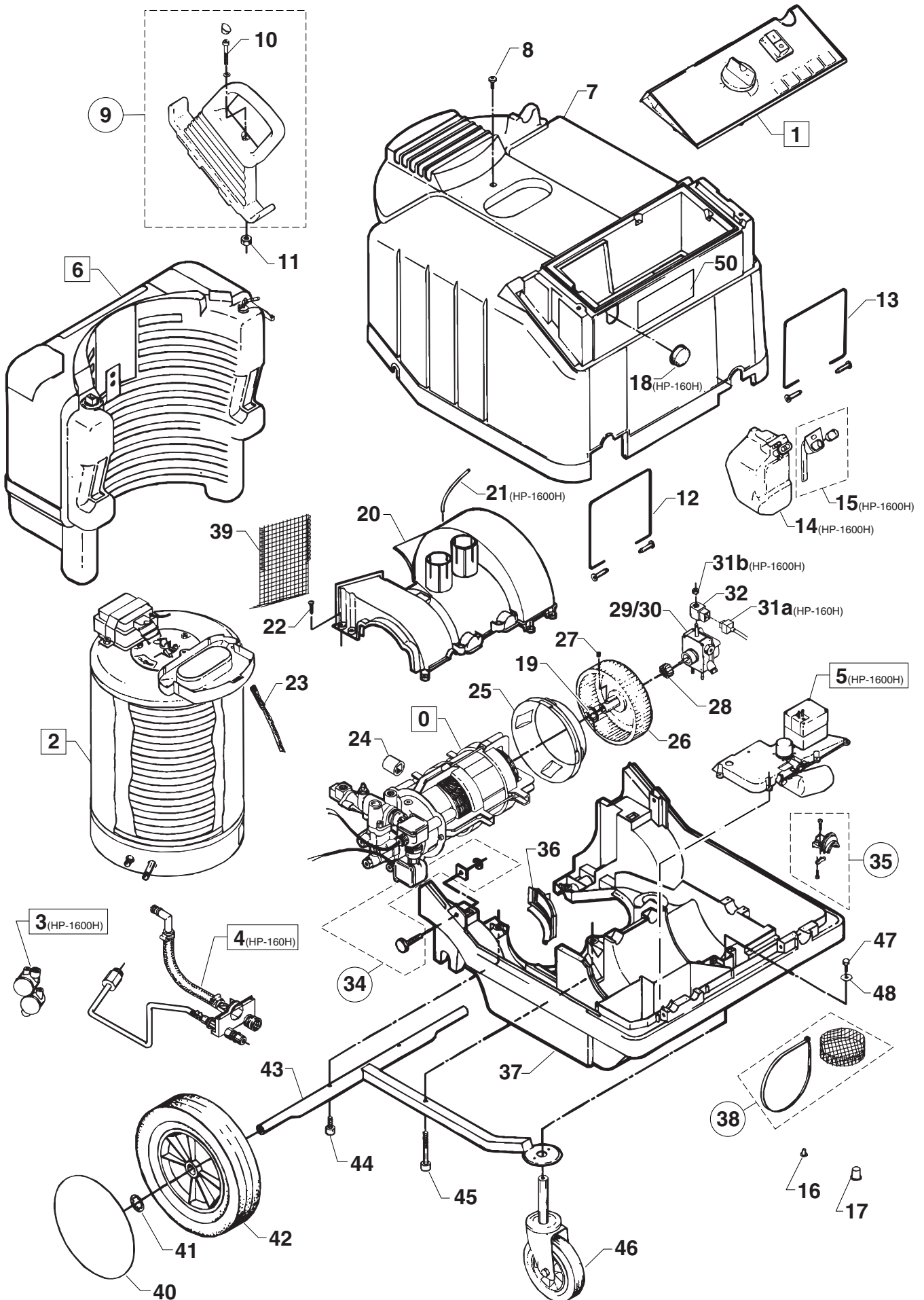
HP-145 H
HP-155 H
HP-160 H
HP-1600 H

8

Gehäuse
Cabinet

HP-160 H, HP-1600 H

DOLMAR



HP-145 H
HP-155 H
HP-160 H
HP-1600 H

8

Gehäuse
Cabinet

HP-160 H, HP-1600 H



| Pos. | Anzahl Quantity | Teil-Nr. Part No. | Hinweise Notes | Benennung | Description |
|------|--------------------|----------------------|-------------------|--------------------------------------|---------------------------------|
| 0 | 1 1 | - | Seite/Page 9/10 | Motorpumpeneinheit | Motor pump unit |
| 1 | 1 | - | Seite/Page 12 | Elektrische Komponenten | Electrical components |
| 1 | 1 | - | Seite/Page 13 | Elektrische Komponenten | Electrical components |
| 2 | 1 1 | - | Seite/Page 14 | Kessel | Boiler |
| 3 | 1 | - | Seite/Page 15 | Strömungsschalter | Flow switch |
| 4 | 1 | - | Seite/Page 16 | Wassereinlaß / Auslaß | Water inlet / outlet |
| 5 | 1 | - | Seite/Page 16 | Deckel für Schwimmergehäuse | Cover for float chamber |
| 6 | 1 1 | - | Seite/Page 17 | Brennstofftank | Fuel tank |
| 7 | 1 1 | 606 184 158 | | Gehäuse, ROT | Cabinet, RED |
| 7 | 1 | ? | | Gehäuse m. Kesselschutzsch. ROT | Cabinet with boiler shield, RED |
| 8 | 1 1 | 606 184 116 | | Schraube M6x14 | Screw |
| 9 | 1 1 | 601 119 211 | | Rep.-Satz, Handbügel R+L | Rep. kit, steering handle R+L |
| 10 | 2 2 | 601 813 385 | | Schraube M8x60 | Screw |
| 11 | 2 2 | 606 184 920 | | Mutter | Nut |
| 12 | 1 1 | 606 184 938 | | Gehäusescharnier links, kpl. | Cabinet hinge left, cpl. |
| 13 | 1 1 | 606 184 937 | | Gehäusescharnier rechts, kpl. | Cabinet hinge right, cpl. |
| 14 | 1 | 606 184 106 | | "No scale" Behälter | "No scale" Container |
| 15 | 1 | 601 119 216 | | Rep.-Satz, Indikator | Repair kit, indicator |
| 16 | 3 3 | 604 601 027 | ⇒12/98 | Pfropfen 20 | Plug |
| 17 | 2 2 | 604 601 035 | ⇒12/98 | Pfropfen 27 | Plug |
| 16 | 1 | 601 119 388 | 1/99 ⇒ | Pfropfsatz | Plug kit |
| 18 | 1 | 606 184 094 | | Pfropfen | Plug |
| 19 | 1 1 | 606 184 408 | | Distanzstück | Spacer |
| 20 | 1 1 | 606 184 056 | | Gebälsegehäuse | Fan housing |
| 21 | 1 | 602 450 008 | | Indikatorschlauch 800 mm | Indicator hose |
| 22 | 1 1 | 601 813 989 | ⇒7/97= 20 St. | Schraube 35x16 RF | Screw |
| 23 | 1 1 | 606 184 736 | | Riemen | Belt |
| 24 | 4 4 | 606 184 676 | | Schwingungsdämpfer | Vibration damper |
| 25 | 1 1 | 606 184 404 | | Luftführung | Air funnel |
| 26 | 1 1 | 606 184 405 | | Gebälserad | Impeller |
| 27 | 1 1 | 601 800 325 | | Schraube | Screw |
| 28 | 1 1 | 606 184 279 | | Kupplung für Brennstoffpumpe | Coupling for fuel pump |
| 29 | 1 | 603 821 321 | | Brennstoffpumpe m. Spule 220 V | Fuel pump, with coil |
| 29 | 1 | 603 821 320 | | Brennstoffpumpe m. Spule 24 V | Fuel pump, with coil |
| 30 | 1 1 | 601 119 217 | | Rep.-Satz, Filter/Dichtung (Danfoss) | Repair kit, screen/gasket |
| 30 | 1 | 601 119 214 | | Rep.-Satz, Filter/Dichtung (Suntec) | Repair kit, screen/gasket |
| 31a | 1 | 606 241 838 | | Kabel für Brennstoffpumpe | Cable for fuel pump |
| 31b | 1 | 601 814 045 | | Mutter (Suntec) | Nut |
| 32 | 1 | 603 819 919 | | Spule, 220 V (Danfoss) | Coil |
| 32 | 1 | 603 820 305 | | Spule, 24 V (Suntec) | Coil |
| 32 | 1 | 603 821 089 | | Spule kpl., 24 V (Danfoss) | Coil with nut/washer |
| 33 | 1 | 606 184 329 | 1/99 ⇒ | Kesselschutzschirm | Boiler shield |
| 34 | 1 1 | 601 119 218 | | Rep.-Satz, Gehäuseschraube | Repair kit, cabinet screw |
| 35 | 1 1 | 601 119 219 | | Rep.-Satz, Zugentlastung | Repair kit, cable lead-in |
| 36 | 1 1 | 606 184 403 | | Gebälседichtung | Fan tightening |
| 37 | 1 1 | 606 184 058 | | Chassis | Chassis |
| 38 | 1 1 | 606 184 805 | | Gitter für Luftregulierklappe | Grating for air adjust. damper |
| 39 | 1 1 | 606 184 806 | | Gitter für Lufteinlaß | Grating for admission of air |
| 40 | 2 2 | 606 241 053 | | Radkappe, SCHWARZ | Hup cap, BLACK |
| 41 | 2 2 | 601 813 799 | | Federtellerscheibe | Lock washer |
| 42 | 2 2 | 606 184 074 | | Rad | Wheel |
| 43 | 1 1 | 606 184 200 | | Radbeschlag | Wheel bracket |
| 44 | 2 2 | 601 802 636 | | Schraube M6x12 | Screw |
| 45 | 1 1 | 601 803 295 | | Schraube M6x35 | Screw |
| 46 | 1 1 | 606 241 052 | | Lenkrolle | Steerable wheel |
| 47 | 1 1 | 601 801 174 | | Schraube M8x20 | Screw |
| 48 | 1 1 | 601 813 377 | | Scheibe | Washer |
| 50 | 1 1 | 604 209 521 | | Schild | Label |

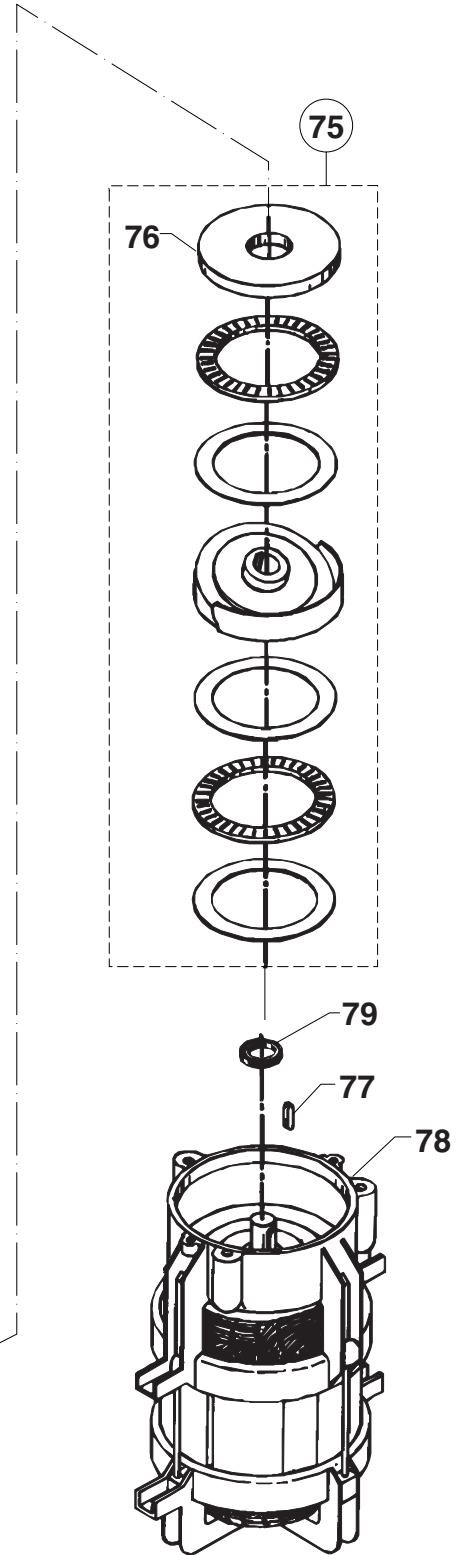
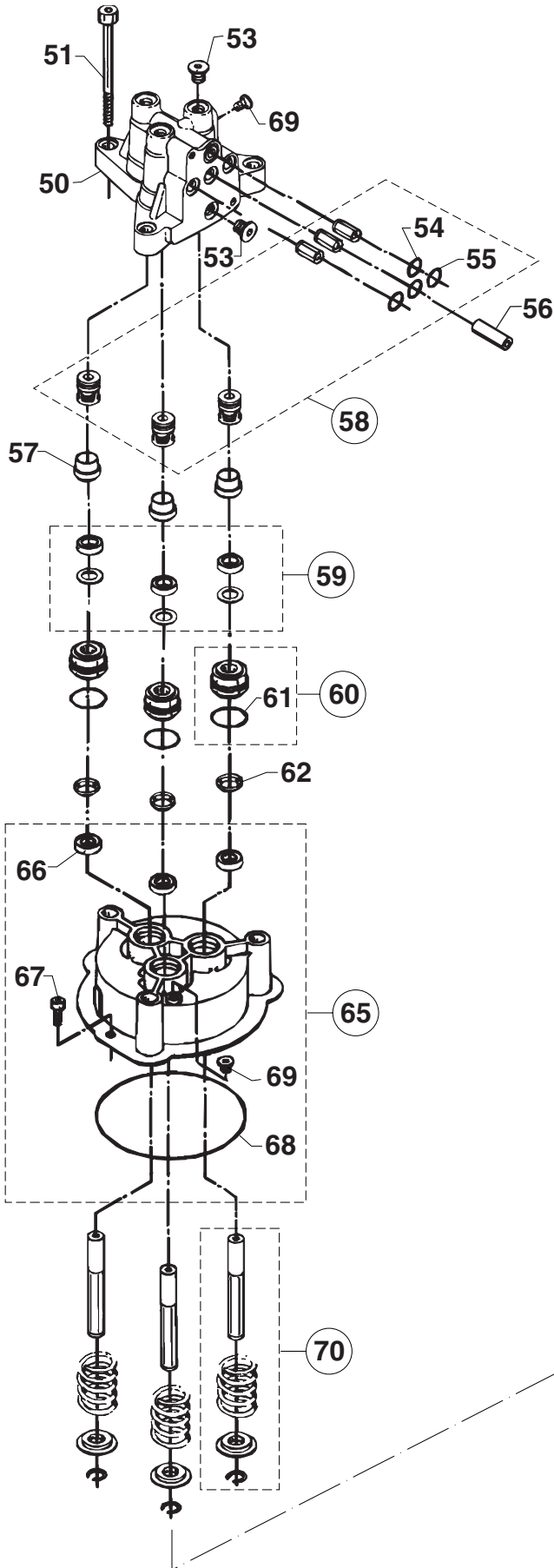
HP-145 H
HP-155 H
HP-160 H
HP-1600 H

9

Motor, Pumpe
Motor, pump

HP-160 H, HP-1600 H

DOLMAR



HP-145 H
HP-155 H
HP-160 H
HP-1600 H

9

Motor, Pumpe
Motor, pump

HP-160 H, HP-1600 H

DOLMAR



| Pos. | Anzahl Quantity | Teil-Nr. Part No. | Hinweise Notes | Benennung | Description |
|------|--------------------|----------------------|-------------------|---|--|
| 50 | 1 1 | 606 181 539 | => | Zylinderkopf | Cylinder head |
| 50 | 1 1 | 606 181 478 | <= | Zylinderkopf | Cylinder head |
| 51 | 3 3 | 601 813 393 | | Schraube M10x100 | Screw |
| 53 | 3 3 | 606 180 906 | | Pfropfen mit O-Ring | Plug with O-ring |
| 54 | 1 1 | 603 001 807 | | O-Ring | O-ring |
| 55 | 3 3 | 603 001 070 | | O-Ring | O-ring |
| 56 | 1 1 | 606 120 624 | | Distanzhülse | Spacer |
| 57 | 3 3 | 606 181 522 | | Distanzstück | Spacer |
| 58 | 1 1 | 601 119 209 | | Rep.-Satz, Ventilsystem | Repair kit, valve system |
| 59 | 1 1 | 601 119 212 | | Rep.-Satz, Stützring/U-Mansch. | Repair kit, back-up ring/U-seal |
| 60 | 3 3 | 606 180 910 | | Druckring kpl. | Thrust collar cpl. |
| 61 | 3 3 | 603 004 009 | | O-Ring | O-ring |
| 62 | 3 3 | 606 181 541 | | Distanzstück | Spacer |
| 65 | 1 1 | 606 180 911 | | Zylinderblock kpl. | Cylinder block cpl. |
| 66 | 3 3 | 603 003 902 | | U-Manschette | U-seal |
| 67 | 2 2 | 601 803 295 | | Schraube M6x35 | Screw |
| 68 | 1 1 | 603 003 886 | | O-Ring | O-ring |
| 69 | 2 | 606 122 313 | | Pfropfen mit O-Ring | Plug with O-ring |
| 69 | 2 | 606 180 912 | | Pfropfen mit O-Ring | Plug with O-ring |
| 70 | 3 3 | 601 119 202 | | Rep.-Satz, keram. Druckkolben | Repair kit, ceramic piston |
| 75 | 1 1 | 601 119 688 | 10/95 => | Rep.-Satz, Taumelsch./Lager | Repair kit, wobble disc/bearings |
| 75 | 1 1 | 601 119 222 | => 10/95 | Rep.-Satz, Taumelsch./Lager | Repair kit, wobble disc/bearings |
| 76 | 1 1 | 606 182 479 | 10/95 => | Lagerscheibe | Bearing track |
| 76 | 1 1 | 606 181 518 | =>10/95 | Lagerscheibe | Bearing track |
| 77 | 1 1 | 603 202 421 | | Federkeil | Key |
| 78 | 1 | 606 183 375 | | Motor 3x380/220 V - 4,2 KW | Motor |
| 78 | 1 | 606 183 390 | | Motor 3x380/220 V - 4,2 KW | Motor |
| 79 | 1 1 | 601 119 671 | | Rep.-Satz, Wellendichtungsring | Repair kit, sealing ring f. shaft |
| • | 1 1 | 605 218 433 | | "Castrol, Alphasyn-T" ISO 150 1 L (Füllmenge 300ml - kl. Taumelsch.) (Füllmenge 250ml - gr. Taumelsch.) | Pump oil (Filling vol. 300ml - s. wobble d.) (Filling vol. 250ml - b. wobble d.) |

HP-145 H
HP-155 H
HP-160 H
HP-1600 H

10

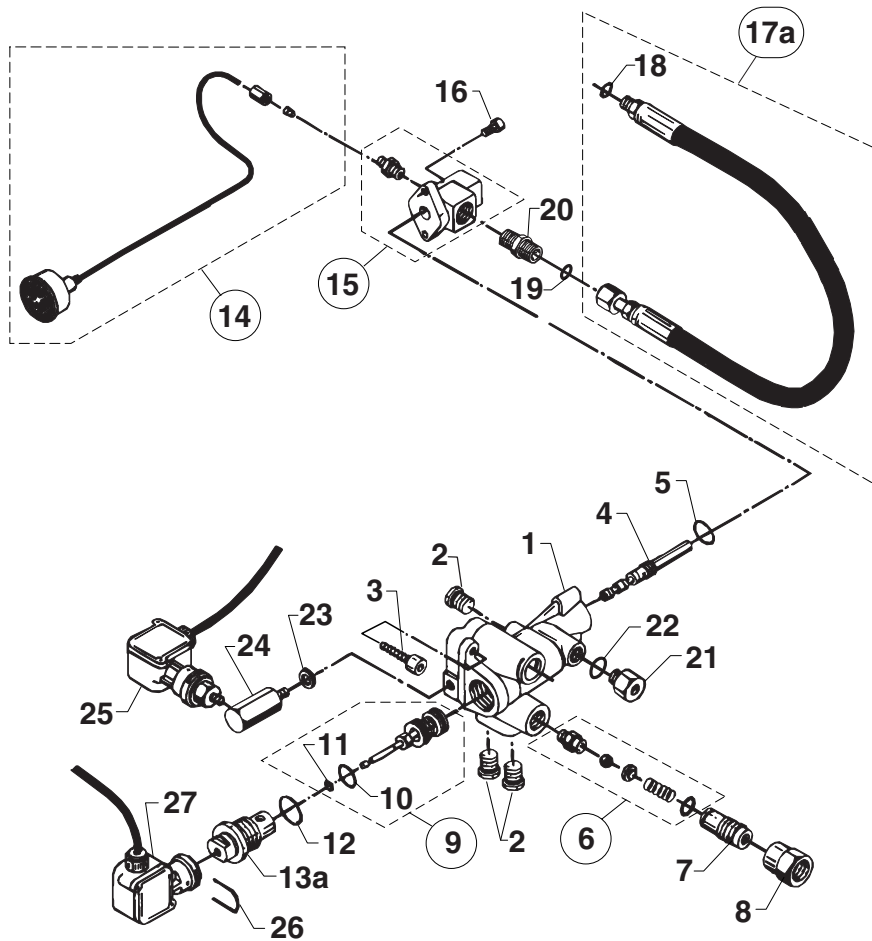
Umlaufventil
By-pass valve

HP-160 H, HP-1600 H

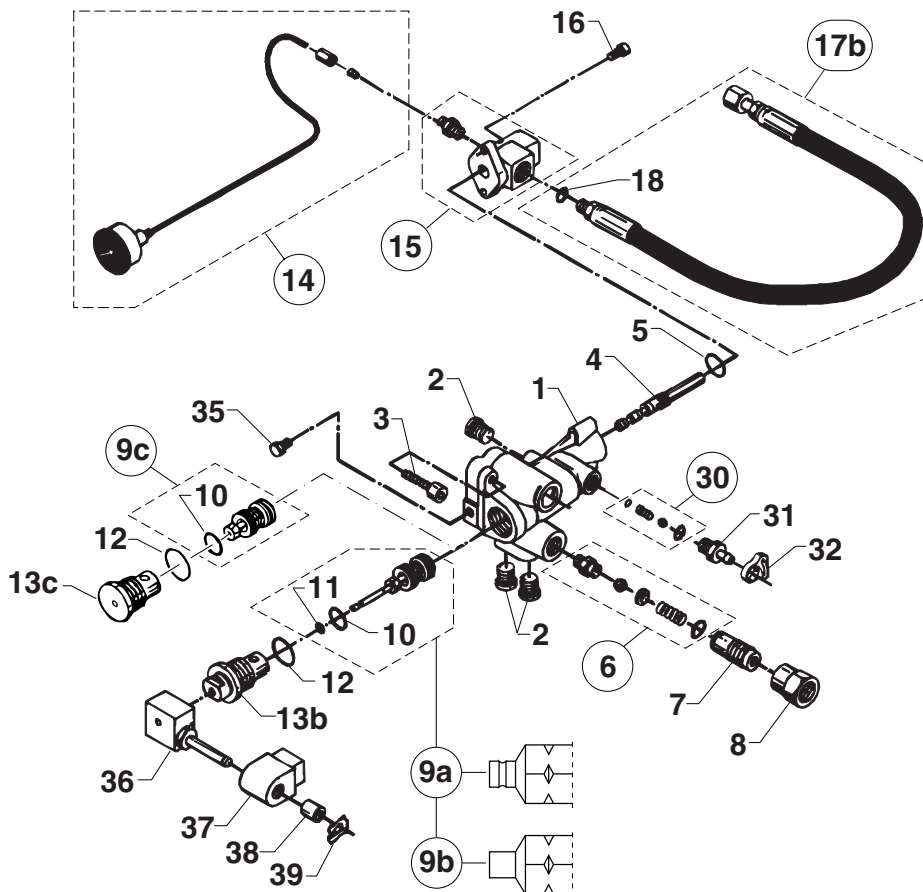
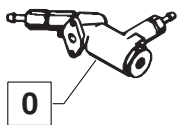
DOLMAR



HP-160 H



HP-1600 H



HP-145 H
HP-155 H
HP-160 H
HP-1600 H

10

Umlaufventil
By-pass valve

HP-160 H, HP-1600 H

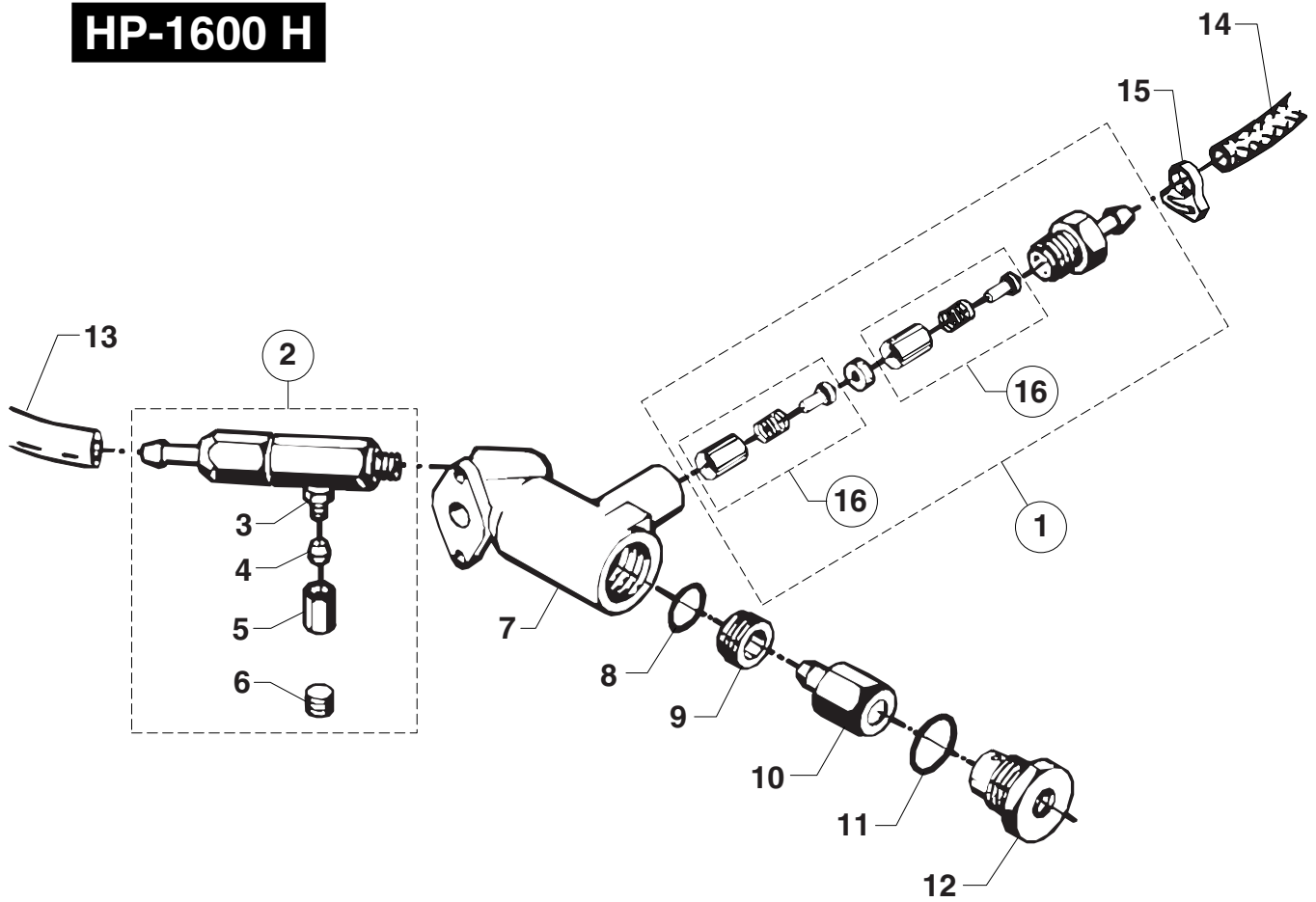
DOLMAR



| Pos. | Anzahl Quantity | Teil-Nr. Part No. | Hinweise Notes | Benennung | Description |
|------|--------------------|----------------------|-------------------|---------------------------------|--------------------------------------|
| 0 | 1 | | Seite/Page 11 | Gehäuse Auto Start/Stop | Housing |
| 1 | 1 | 606 181 468 | => | Ventilgehäuse | Valve housing |
| 1 | 1 | 606 181 477 | =< | Ventilgehäuse | Valve housing |
| 2 | 3 | 606 180 913 | | Pfropfen mit O-Ring | Plug with O-ring |
| 3 | 2 | 601 803 345 | | Schraube M8x30 | Screw |
| 4 | 1 | 606 180 916 | | Injektordüse mit O-Ring | Injector nozzle with O-ring |
| 5 | 1 | 603 001 674 | | O-Ring | O-ring |
| 6 | 1 | 601 118 512 | | Rep.-Satz, Sicherheitsventil | Repair kit, safety valve |
| 7 | 1 | 606 100 940 | | Justierschraube | Adjustment screw |
| 8 | 1 | 606 100 928 | | Gegenmutter | Lock nut |
| 9 | 1 | 601 119 659 | | Rep.-Satz, Kolben | Repair kit, piston |
| 9a | 1 | 601 119 248 | 3040 HA | Rep.-Satz, Kolben | Repair kit, piston |
| 9b | | 601 119 228 | 3040 H | Rep.-Satz, Kolben | Repair kit, piston |
| 9c | | 606 184 941 | 3040 H/HA | Rep.-Satz, Kolben o. Dampfstufe | Repair kit, piston w/u heating stage |
| 10 | 1 | 603 003 860 | | O-Ring | O-ring |
| 11 | 1 | 603 000 387 | | O-Ring | O-ring |
| 12 | 1 | 603 001 963 | | O-Ring | O-ring |
| 13a | 1 | 606 241 526 | | Pfropfen | Plug |
| 13b | 1 | 606 184 525 | | Pfropfen | Plug |
| 13c | | 606 180 650 | 3040 H/HA | Pfropfen ohne Dampfstufe | Plug without heating stage |
| 14 | 1 | 606 184 949 | | Manometer kpl. | Pressure gauge cpl. |
| 15 | 1 | 606 184 934 | | Auslaßwinkel kpl. | Outlet elbow cpl. |
| 16 | 2 | 601 813 484 | | Schraube M6x16 | Screw |
| 17a | 1 | 601 450 001 | | Interner Hochdruckschlauch kpl. | Internal h.p. hose cpl. |
| 17b | 1 | 601 450 000 | | Interner Hochdruckschlauch kpl. | Internal h.p. hose cpl. |
| 18 | 1 | 603 000 072 | | O-Ring | O-ring |
| 19 | 1 | 603 000 072 | | O-Ring | O-ring |
| 20 | 1 | 601 602 770 | | Verschraubung | Screwed connection |
| 21 | 1 | 606 105 533 | | Pfropfen | Plug |
| 22 | 1 | 603 000 072 | | O-Ring | O-ring |
| 23 | 1 | 606 241 528 | | Scheibe | Washer |
| 24 | 1 | 606 241 527 | | Zwischenstück | Intermediate piece |
| 25 | 1 | 606 241 857 | | Druckschalter kpl. | Switch cpl. |
| 26 | 1 | 603 601 260 | | Bügel | Strap |
| 27 | 1 | 606 241 858 | | Strömungsschalter kpl. | Flow switch cpl. |
| 30 | 1 | 601 119 200 | | Rep.-Satz, Rückschlagventil | Repair kit, non return valve |
| 31 | 1 | 606 180 659 | | Schlauchstutzen | Hose tail |
| 32 | 1 | 601 814 029 | | Schlauchschele | Hose clip |
| 35 | 1 | 606 181 542 | | Verschußschraube | Plug |
| 36 | 1 | 606 184 930 | | Dampfstufe | Steamstage |
| 37 | 1 | 603 820 305 | | Spule | Coil |
| 38 | 1 | 606 184 533 | | Buchse | Bush |
| 39 | 1 | 601 813 591 | | Schließring | Lock clip |



HP-1600 H



HP-145 H
HP-155 H
HP-160 H
HP-1600 H

11

Gehäuse Auto Start/Stopp
Auto start/stop housing

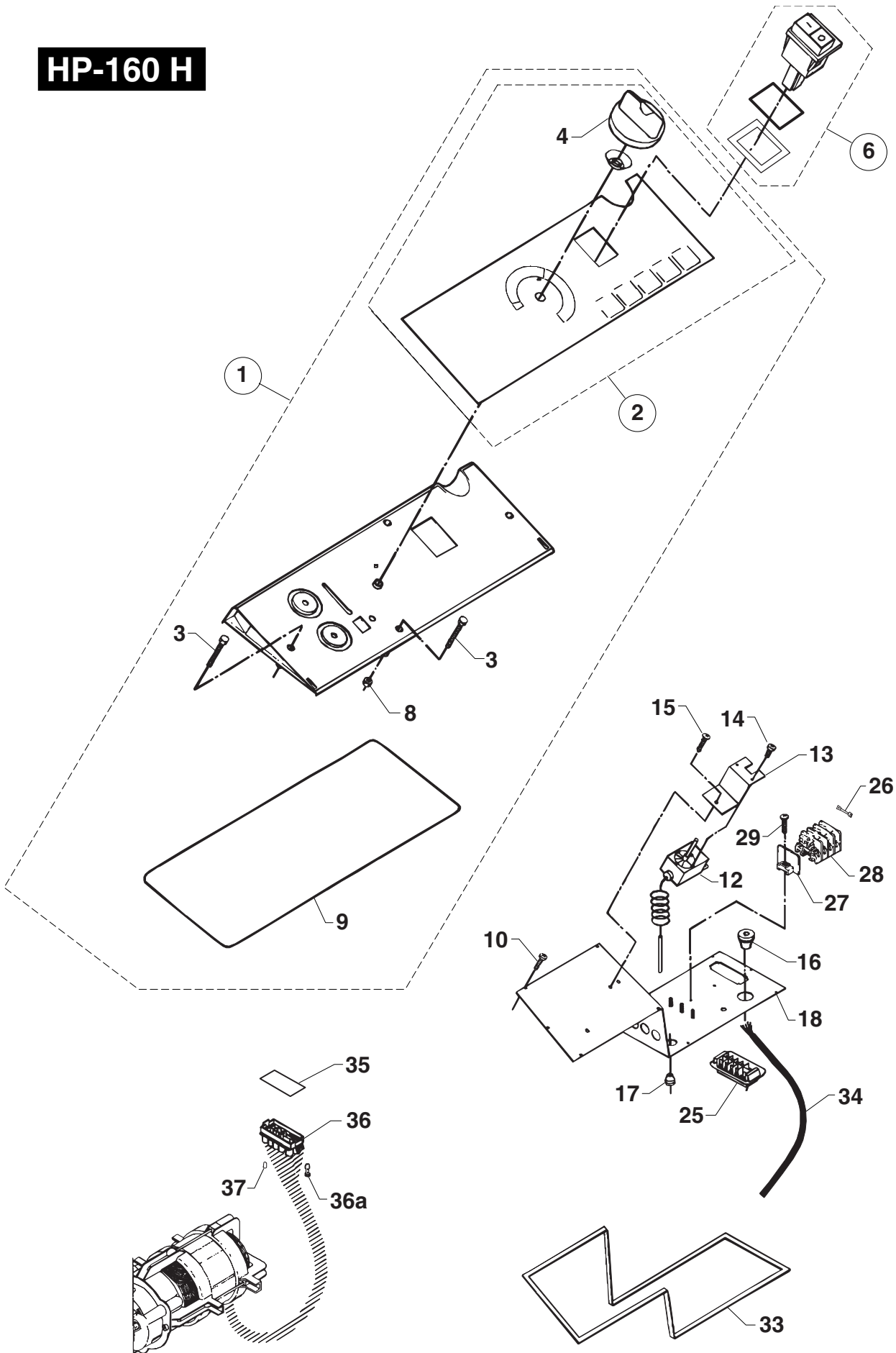
HP-1600 H



| Pos. | Anzahl Quantity | Teil-Nr. Part No. | Hinweise Notes | Benennung | Description | |
|------|--------------------|----------------------|-------------------|-----------------------------------|------------------------------|--|
| 1 | 1 | 601 119 318 | | Rep.-Satz, Rückschlagventil S/S | Repair kit, non return valve | |
| 2 | 1 | 601 119 288 | | Rep.-Satz, Entlüftungsventil | Repair kit, venting valve | |
| 3 | 1 | 601 603 422 | | Verschraubung 1/8" - ø4 | Screwed connection | |
| 4 | 1 | 601 603 448 | | Schneidring | Cutting ring | |
| 5 | 1 | 601 603 430 | | Überwurfmutter | Union nut | |
| 6 | 1 | 601 602 333 | | Verschlusspfropfen 1/8" | Hole plug | |
| 7 | 1 | 606 401 819 | | Gehäuse Auto Start/Stopp | Auto start/stop housing | |
| 8 | 1 | 603 001 112 | | O-Ring | O-ring | |
| 9 | 1 | 606 201 534 | | Sitz für Entlastungsventil | Seat for relief valve | |
| 10 | 1 | 606 350 463 | | Kolben für Entlastungsventil kpl. | Piston for relief valve cpl. | |
| 11 | 1 | 603 000 825 | | O-Ring | O-ring | |
| 12 | 1 | 606 401 817 | | Anschlußpfropfen | Connecting union | |
| 13 | 1 | 602 450 010 | | Schlauch 1/4" | Hose | |
| 14 | 1 | 602 406 357 | | Schlauch, blau 1/4" | Hose, blue | |
| 15 | 2 | 601 801 034 | | Schlauchschelle 13mm | Hose clip | |
| 16 | 2 | 601 119 566 | | Rep.-Satz, Rückschlagventil | Repair kit, non return valve | |



HP-160 H



HP-145 H
HP-155 H
HP-160 H
HP-1600 H

12

Elektrische Komponenten
Electrical components

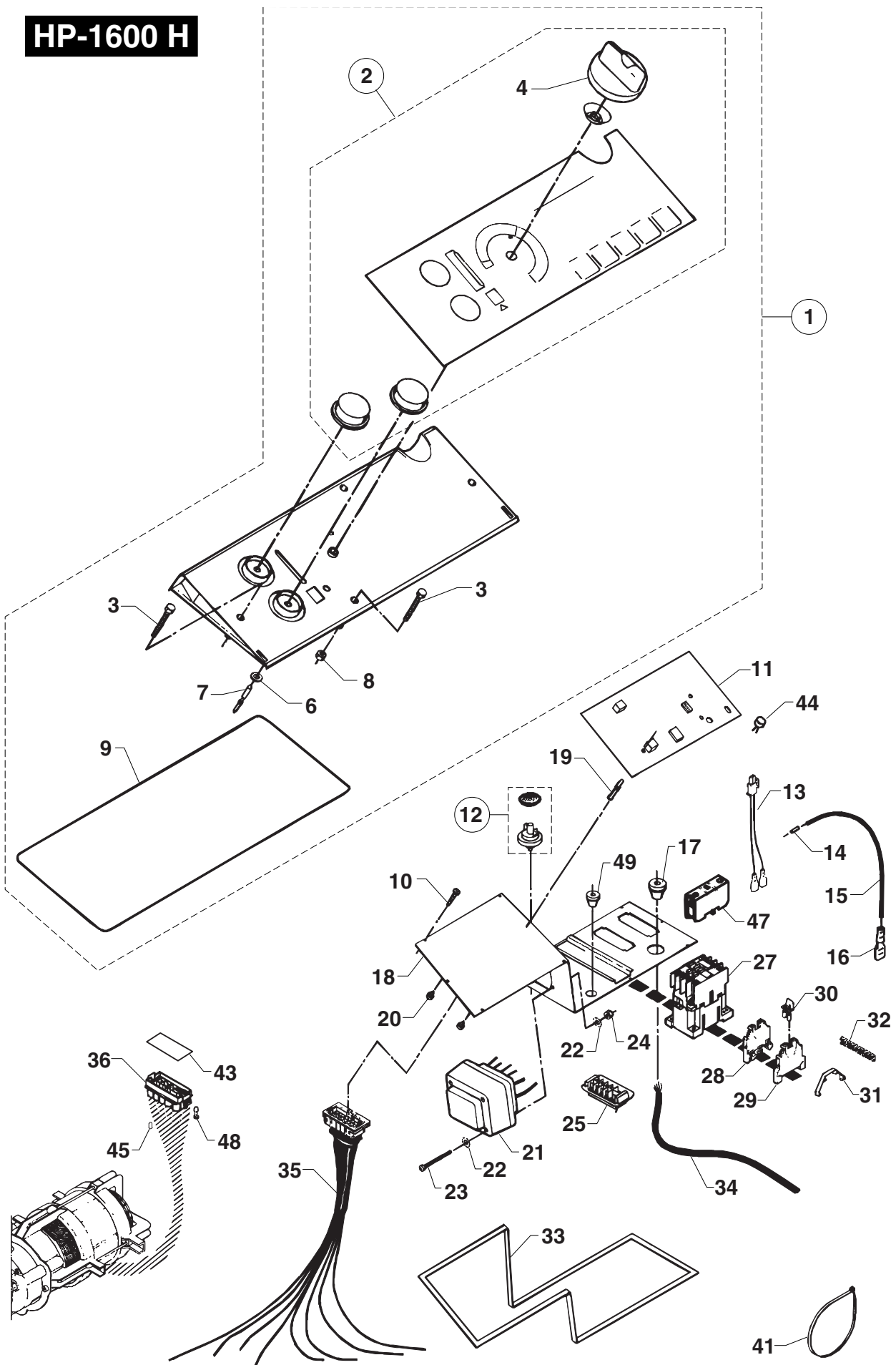
HP-160 H



| Pos. | Anzahl Quantity | Teil-Nr. Part No. | Hinweise Notes | Benennung | Description | |
|------|--------------------|----------------------|-------------------|---------------------------------|-------------------------------|--|
| 1 | | 601 119 448 | Valiant | Rep.-Satz, Armaturenbrett | Repair kit, control panel | |
| 2 | | 601 119 449 | Valiant | Rep.-Satz, Schalter / Aufkleber | Repair kit, switches / label | |
| 3 | 4 | 601 813 666 | | Schraube M5x45 | Screw | |
| 4 | 1 | 606 184 131 | | Temperaturgriff, GRAU | Temperature button, GREY | |
| 6 | 1 | 601 119 667 | | Rep.-Satz, Start/Stoppschalter | Repair kit, start/stop switch | |
| 8 | 4 | 601 813 195 | | Mutter | Nut | |
| 9 | 1 | 606 184 110 | | Dichtung | Gasket | |
| 10 | 8 | 601 813 617 | | Schraube 35x14 | Screw | |
| 12 | 1 | 603 821 226 | | Thermostat mit Ausschalter | Thermostat with switch | |
| 13 | 1 | 606 241 733 | | Beschlag | Fitting | |
| 14 | 2 | 601 800 391 | | Schraube M4x6 | Screw | |
| 15 | 2 | 601 800 945 | | Schraube | Screw | |
| 16 | 1 | 603 803 780 | | Stopfbuchse TET 10-14 | Cable grommet | |
| 17 | 1 | 603 803 764 | | Stopfbuchse TET 5-7C | Cable grommet | |
| 18 | 1 | 606 241 827 | | Verbindungsplatte | Mounting plate | |
| 25 | 1 | 603 820 214 | | Motorstecker (außen), schwarz | Motor plug (male), black | |
| 26 | 1 | 603 821 354 | | Widerstand | Resistance | |
| 27 | 4 | 603 821 355 | | Klemme | Terminal clip | |
| 28 | 1 | 603 821 356 | | Endverschluß | End stop | |
| 29 | 2 | 601 805 852 | | Schraube | Screw | |
| 33 | 1 | 606 184 733 | | Dichtung | Gasket | |
| 34 | 1 | 606 180 260 | | Anschlußkabel | El. cable | |
| 35 | 1 | 603 821 456 | | Dichtung für Motorstecker | Gasket for motor plug | |
| 36 | 1 | 603 820 230 | | Motorstecker (innen) | Motor plug (female) | |
| 36a | 1 | 601 119 375 | | Rep.-Satz, Powertimerstecker | Repair kit, powertimer plug | |
| 37 | 3 | 603 820 909 | | Pfropfen | Plug | |
| • | 1 | 603 802 493 | | Stecker CEE 5 pol. 380V/16A | Plug | |



HP-1600 H



HP-145 H
HP-155 H
HP-160 H
HP-1600 H

13

Elektrische Komponenten
Electrical components

HP-1600 H



| Pos. | Anzahl Quantity | Teil-Nr. Part No. | Hinweise Notes | Benennung | Description |
|------|--------------------|----------------------|-------------------|---------------------------------|----------------------------------|
| 1 | | 601 119 254 | 3040 HA | Rep.-Satz, Armaturenbrett | Repair kit, control panel |
| 2 | 1 | 601 119 257 | 3040 HA | Rep.-Satz, Schalter / Aufkleber | Repair kit, switches / label |
| 3 | 4 | 601 813 666 | | Schraube M5x45 | Screw |
| 4 | 1 | 606 184 131 | | Temperaturgriff, GRAU | Temperature button, GREY |
| 6 | 1 | 601 813 682 | | Scheibe Aluminium | Washer |
| 7 | 1 | 606 184 104 | | Welle | Shaft |
| 8 | 4 | 601 813 195 | | Mutter | Nut |
| 9 | 1 | 606 184 110 | | Dichtung | Gasket |
| 10 | 12 | 601 813 989 | | Schraube 35x16 RF | Screw |
| 11 | 1 | 606 420 033 | HA 8/97 → | El. Steuerungseinheit | El. control circuit board |
| 11 | 1 | 606 420 031 | HA → 8/97 | El. Steuerungseinheit | El. control circuit board |
| 12 | 1 | 603 820 354 | | Phasenfolge Druckschalter | Phase seq. pressure switch |
| 13 | 1 | 606 184 876 | | Leitung für Druckschalter | Cable for pressure switch |
| 14 | 1 | 603 806 155 | | Aderendhülse (3 Stück) | Terminal tube (3 pieces) |
| 15 | | xxx | | Kabel, schwarz 1x2,5 / H07V-K | Cable, black |
| 16 | 1 | 603 820 941 | | Kabelschuh | Thimble of cable |
| 17 | 1 | 603 803 780 | | Stopfbuchse TET 10-14 | Cable grommet |
| 18 | 1 | 606 184 875 | | Verbindungsplatte | Mounting plate |
| 19 | 1 | 603 820 347 | | Abstandsstange | Tie rod |
| 20 | 3 | 601 813 740 | | Schraube 35x10 | Screw |
| 21 | 1 | 606 184 828 | | Steuerungstrafo 380V | Control transformer |
| 22 | 8 | 601 801 281 | | Scheibe M3 | Washer |
| 23 | 4 | 601 813 856 | | Schraube 3x45 | Screw |
| 24 | 4 | 601 800 168 | | Mutter M3 | Nut |
| 25 | 1 | 603 820 214 | | Motorstecker (außen), schwarz | Motor plug (male), black |
| 27 | 1 | 603 821 404 | | Schütz CA3-16-10 | Contacto |
| 28 | 6 | 603 807 518 | | Klemme | Terminal clip |
| 29 | 1 | 603 817 483 | | Klemme, Erde | Terminal clip, earth |
| 30 | 1 | 603 807 534 | | Lasche, zweipolig | Bipolar short circuit bridge |
| 30 | 1 | 603 800 331 | | Lasche, dreipolig | Three-poled short circuit bridge |
| 31 | 4 | 603 807 542 | | Abdeckung | Cover |
| 32 | 1 | 603 820 362 | | Komponentenmarkierung 3P | Component marking |
| 33 | 1 | 606 184 733 | | Dichtung | Gasket |
| 34 | 1 | 606 180 260 | | Anschlußkabel | El. cable |
| 35 | 1 | 606 185 845 | 10/95 → | Kabelbaum mit Steckern | Control wires w. connectors |
| 35 | 1 | 606 184 825 | → 10/95 | Kabelbaum mit Steckern | Control wires w. connectors |
| 36 | 1 | 603 820 230 | | Motorstecker (innen) | Motor plug (female) |
| 41 | 2 | 606 814 052 | | Kabelhalter L=150mm | Cable clip |
| 43 | 1 | 603 821 456 | | Dichtung für Motorstecker | Gasket for motor plug |
| 44 | 1 | 603 821 255 | | Sicherung 2AT | Fuse |
| 45 | | 603 820 909 | 1640 HA | Pfropfen | Plug |
| 47 | | 603 821 509 | 1640 HA | Zusatzschalter 1~ | Auxiliary switch |
| 48 | 1 | 601 119 375 | | Rep.-Satz, Powertimerstecker | Repair kit, powertimer plug |
| 49 | 1 | 603 803 764 | | Stopfbuchse | Cable grommet |

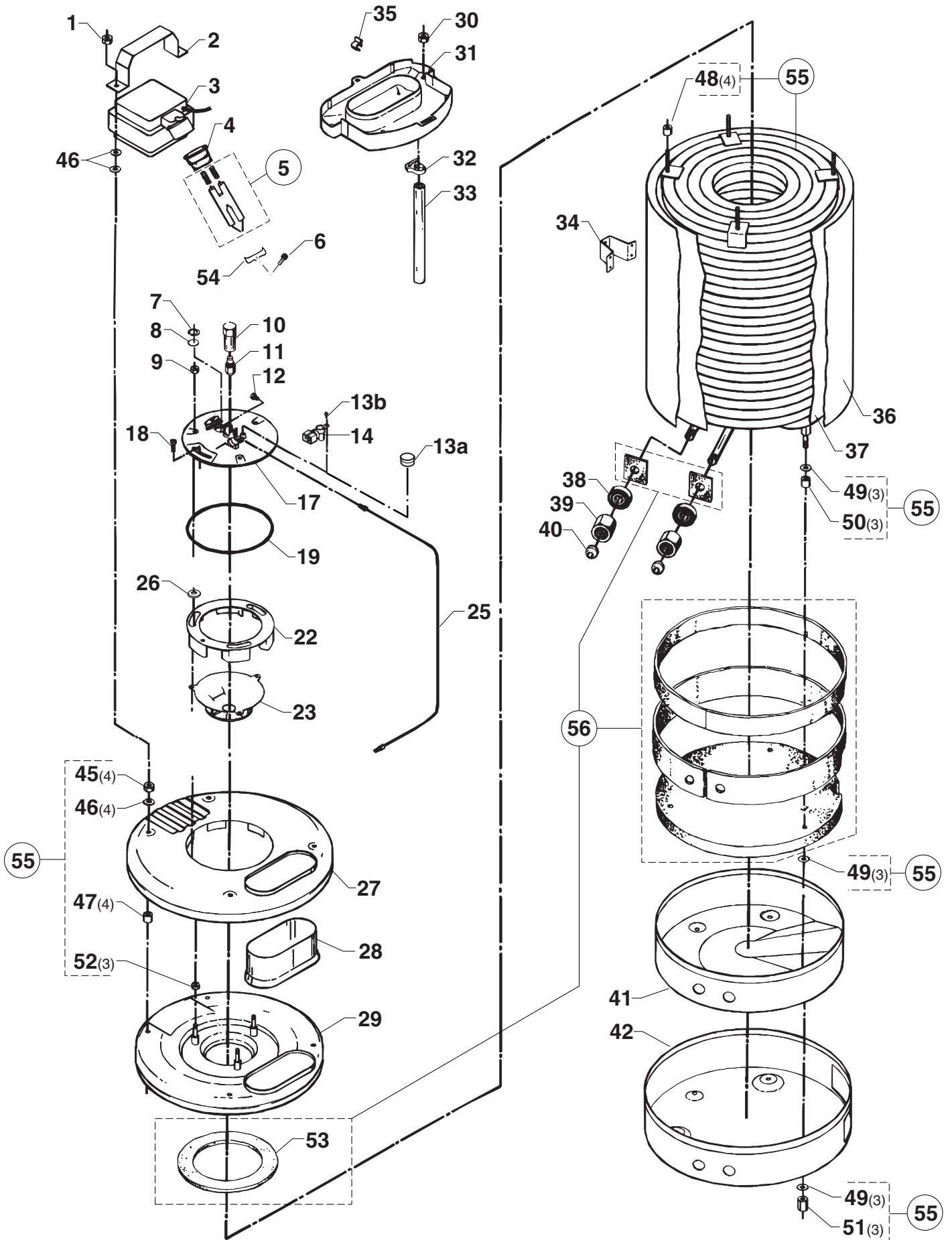
HP-145 H
HP-155 H
HP-160 H
HP-1600 H

14

Kessel
Boiler

HP-160 H, HP-1600 H

DOLMAR



HP-145 H
HP-155 H
HP-160 H
HP-1600 H

14

Kessel
Boiler

HP-160 H, HP-1600 H

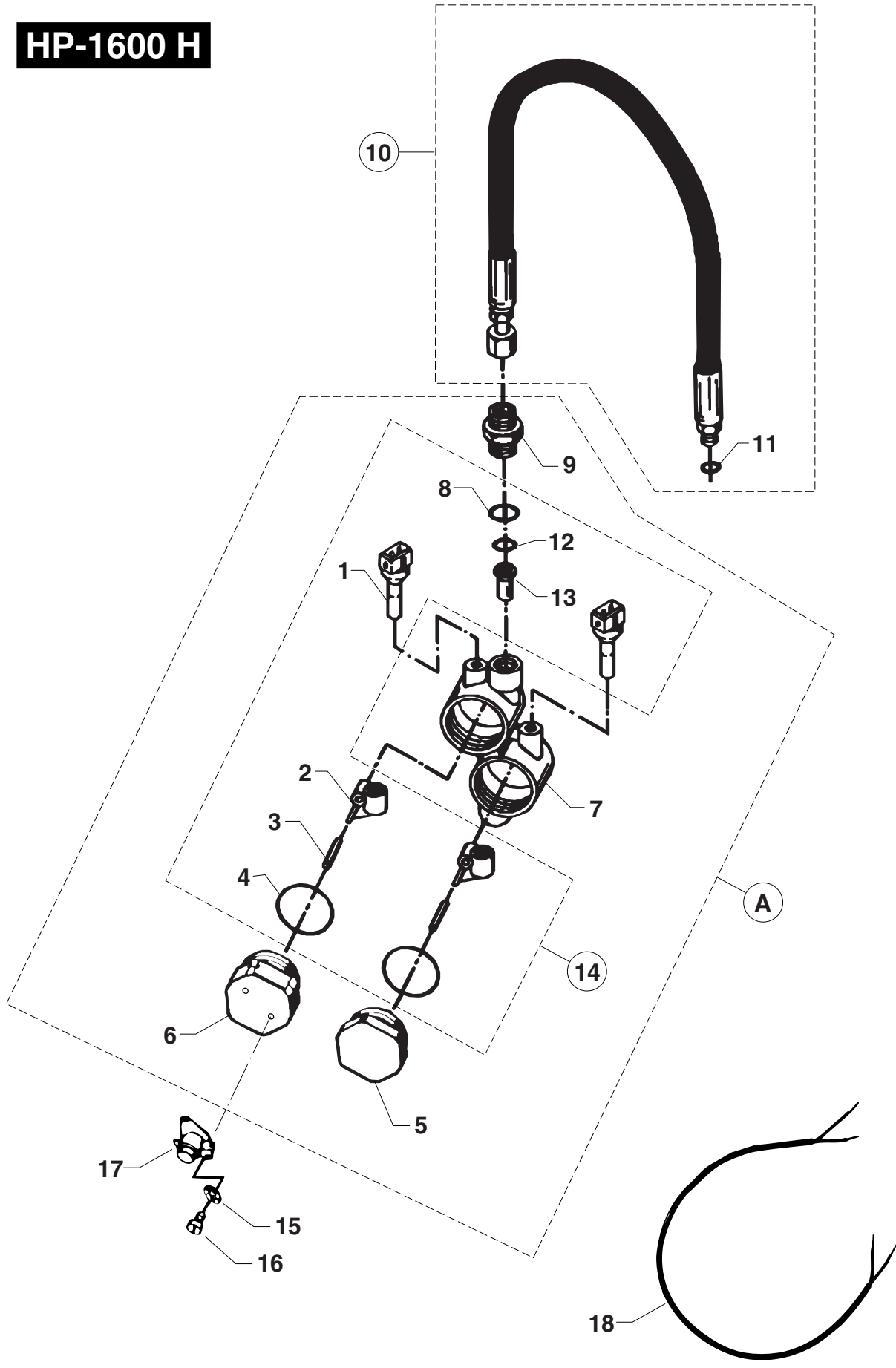
DOLMAR



| Pos. | Anzahl Quantity | Teil-Nr. Part No. | Hinweise Notes | Benennung | Description |
|------|--------------------|----------------------|-------------------|-------------------------------|------------------------------|
| 1 | 2 2 | 601 803 725 | | Mutter M8 | Nut |
| 2 | 1 1 | 606 184 290 | | Beschlag | Fitting |
| 3 | 1 | 606 184 842 | Valiant | Zündtransformator 220V | Ignition transformer |
| 3 | 1 | 606 184 840 | | Zündtransformator 380V | Ignition transformer |
| 4 | 1 1 | 606 184 729 | | Kappe | Cap |
| 5 | 1 1 | 606 184 359 | | Zünder Elektroden kpl. | Ignition electrodes cpl. |
| 6 | 1 1 | 601 805 464 | | Schraube für Elektroden M4x16 | Screw for electrodes |
| 7 | 1 1 | 601 814 610 | | Sicherungsring | Circlip |
| 8 | 1 1 | 606 184 295 | | Schauglas | Inspection glass |
| 9 | 3 3 | 601 802 743 | | Mutter M5 | Nut |
| 10 | 1 1 | 606 184 400 | | Düsensitz | Holder for nozzle |
| 11 | 1 1 | 602 802 445 | | Brennstoffdüse 4,71 kg/h | Fuel nozzle |
| 12 | 1 1 | 601 803 717 | | Schraube für Düse 4x6 | Screw for nozzle |
| 13a | 1 | 606 241 900 | | Pfropfen | Plug |
| 13b | 1 | 601 800 606 | | Schraube M4x10 | Screw |
| 14 | 1 | 606 420 300 | | Fühler f. Flammenüberwachung | Flame sensor cpl. |
| 17 | 1 1 | 606 184 272 | | Deckel für Kessel | Cover for boiler |
| 18 | 1 1 | 601 814 516 | | Schraube M5x16 | Screw |
| 19 | 1 1 | 606 184 296 | | Dichtung | Gasket |
| 22 | 1 1 | 606 184 255 | | Luftschieber | Air throttle |
| 23 | 1 1 | 606 184 350 | | Luftverteiler | Air distributor |
| 25 | 1 1 | 606 184 450 | | Brennstoffleitung kpl. | Fuel pipe cpl. |
| 26 | | 601 807 999 | 1640/1840HA | Scheibe | Washer |
| 27 | 1 1 | 606 184 281 | | Kesseloberteil, außen | Boiler top, outer section |
| 28 | 1 1 | 606 184 259 | | Schornstein | Chimney |
| 29 | 1 1 | 606 184 360 | | Kesseloberteil, innen | Boiler top, inner section |
| 30 | 2 2 | 601 803 725 | | Mutter M8 | Nut |
| 31 | 1 1 | 606 184 303 | | Wasserschutzschirm | Water shield |
| 32 | 1 1 | 601 813 658 | | Schlauchschnalle ø17-20 | Hose clip |
| 33 | 1 1 | 602 450 009 | | Schlauch 1/2" | Hose |
| 34 | 1 1 | 606 184 286 | | Beschlag | Fitting |
| 35 | 1 1 | 603 821 105 | | Kabelhalter | Cable clip |
| 36 | 1 1 | 606 184 262 | | Außenmantel für Kessel | Boiler jacket, outer |
| 37 | 1 1 | 606 184 252 | | Innenmantel für Kessel | Boiler jacket, inner |
| 38 | 2 2 | 606 184 282 | | Gummidichtung | Rubber lead-in |
| 39 | 2 2 | 606 184 288 | | Überwurfmutter | Union nut |
| 40 | 2 2 | 606 184 287 | | Nippel | Nipple |
| 41 | 1 1 | 606 184 250 | | Kesselunterteil, innen | Boiler bottom, inner section |
| 42 | 1 1 | 606 184 254 | | Kesselunterteil, außen | Boiler bottom, outer section |
| 45 | 4 4 | 601 803 725 | | Mutter M8 | Nut |
| 46 | 8 8 | 601 800 796 | | Scheibe | Washer |
| 47 | 4 4 | 606 184 275 | | Buchse | Bush |
| 48 | 4 4 | 606 184 293 | | Buchse | Bush |
| 49 | 9 9 | 601 813 567 | | Scheibe | Washer |
| 50 | 3 3 | 606 184 275 | | Buchse | Bush |
| 51 | 3 3 | 606 184 276 | | Mutter | Nut |
| 52 | 3 3 | 606 184 294 | | Buchse | Bush |
| 53 | 1 1 | 601 119 700 | | Heizschlangendichtung | Coil gasket |
| 54 | 1 | 606 184 328 | | Bügel für Elektrodenhalter | Clamp for elektrode holder |
| 55 | 1 1 | 606 184 931 | | Heizschlange mit Muttern | Coil with nuts |
| 56 | 1 1 | 601 119 236 | | Isoliersatz | Insulation kit |



HP-1600 H



HP-145 H
HP-155 H
HP-160 H
HP-1600 H

16

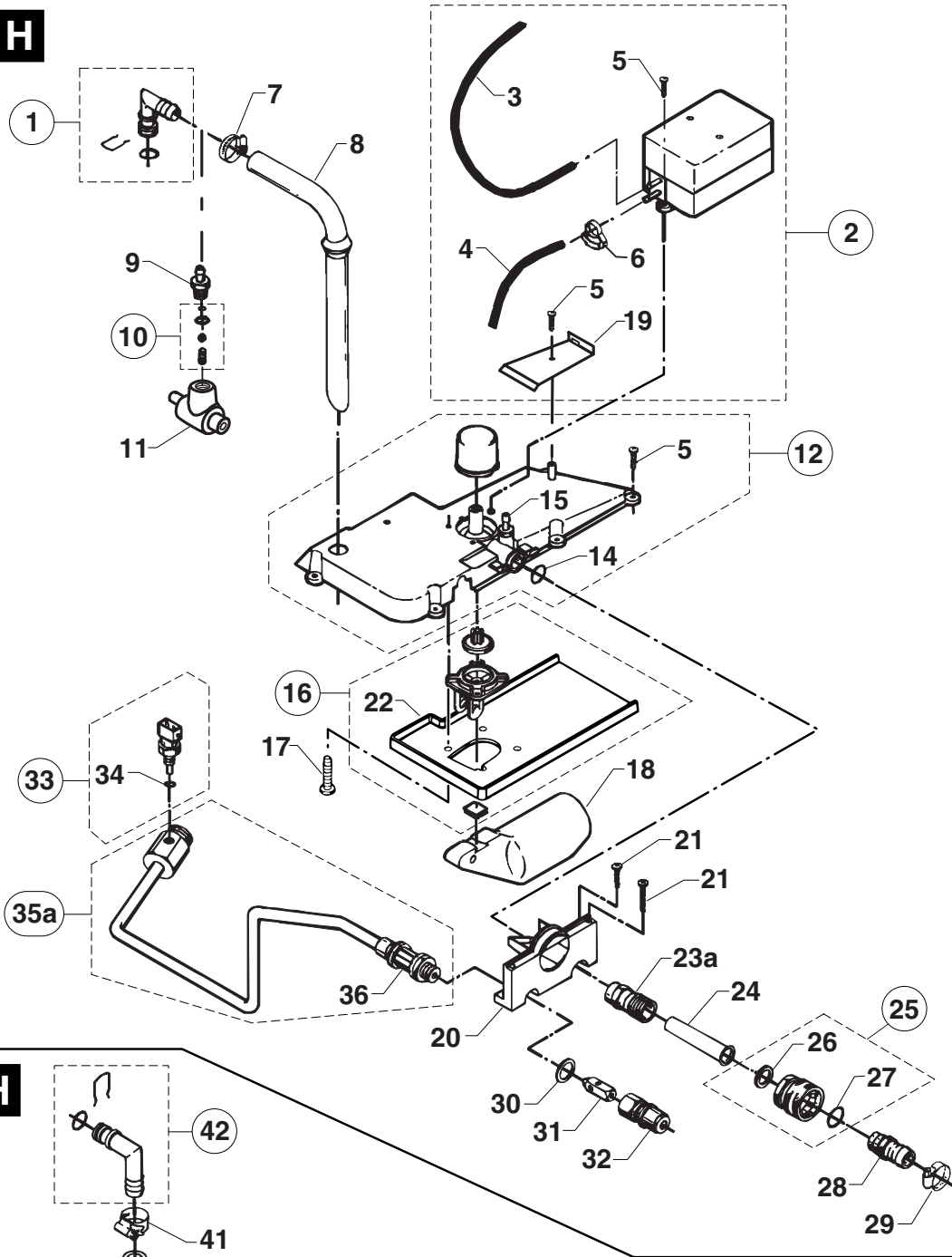
Wassereinlaß / Auslaß,
Schwimmergehäusedeckel
Water inlet / outlet,
Cover for float chamber

HP-160 H, HP-1600 H

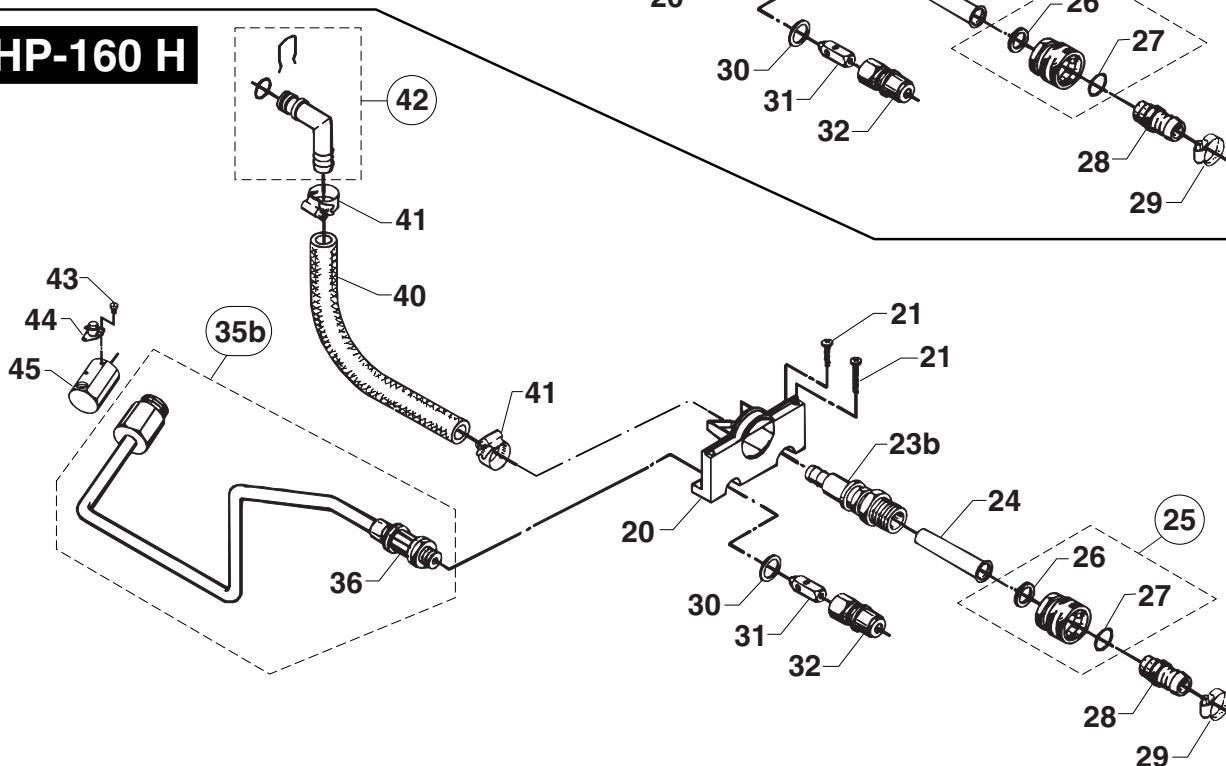
DOLMAR



HP-1600 H



HP-160 H



HP-145 H
HP-155 H
HP-160 H
HP-1600 H

16

Wassereinlaß / Auslaß,
Schwimmergehäusedeckel
Water inlet / outlet,
Cover for float chamber

HP-160 H, HP-1600 H

DOLMAR



| Pos. | Anzahl Quantity | Teil-Nr. Part No. | Hinweise Notes | Benennung | Description |
|------|--------------------|----------------------|-------------------|------------------------------------|-----------------------------------|
| 1 | 1 | 601 119 210 | | Rep.-Satz, Einlaßwinkel | Repair kit, inlet elbow |
| 2 | 1 | 601 119 695 | | Rep.-Satz, "No Scale" Pumpe | Repair kit, "No Scale" pump |
| 3 | 1 | 602 450 003 | | Schlauch 400mm | Hose |
| 4 | 1 | 602 406 423 | 10/95 → | Schlauch 180mm | Hose |
| 5 | 7 | 601 813 989 | | Schraube 35x16 RF | Screw |
| 6 | 2 | 601 814 151 | | Schlauchschelle ø 7,8/8,7 | Hose clip |
| 7 | 1 | 601 805 100 | | Schlauchschelle ø 8-22 GLV | Hose clip |
| 8 | 1 | 606 184 588 | | Saugrohr, Einlaß | Suction tube, inlet |
| 8 | 1 | 606 184 590 | | Saugrohr, Einlaß (H.d. Injektor) | Suction tube, inlet (H.p. injek.) |
| 9 | 1 | 603 400 512 | | Schlauchstutzen (H.d. Injektor) | Hose tail (H.p. injektor) |
| 10 | 1 | 601 119 694 | | Rep.-Satz f. Chemiekalieninjektor | Rep. kit for chemical injector |
| 11 | 1 | 606 184 677 | | Gehäuse (H.d. Injektor) | Housing (H.p. injektor) |
| 12 | 1 | 601 119 249 | | Rep.-Satz, Deckel f. Schwimmergeh. | Rep. kit, cover f. float chamber |
| 14 | 1 | 603 004 221 | | O-Ring | O-ring |
| 15 | 1 | 606 401 820 | | Schlauchstutzen | Hose tail |
| 16 | 1 | 601 119 243 | | Rep.-Satz, Schwimmerventil | Repair kit, float valve |
| 17 | 4 | 601 813 641 | | Schraube 40x16 RF | Screw |
| 18 | 1 | 606 184 084 | | Schwimmer | Float |
| 19 | 1 | 606 184 679 | | Halterung für "No Scale" Pumpe | Fitting for "No Scale" pump |
| 20 | 1 | 606 184 086 | | Manometerdeckel | Pressure gauge bracket |
| 21 | 6 | 601 813 633 | | Schraube 35x25 RF | Screw |
| 22 | 1 | 606 184 591 | | Wasserführungsplatte | Water guide plate |
| 23a | 1 | 606 184 583 | | Filtergehäuse | Housing for filter |
| 23b | 1 | 606 100 937 | | Filtergehäuse | Housing for filter |
| 24 | 1 | 606 100 941 | | Filter | Strainer |
| 25 | 1 | 601 602 945 | | Schnellkupplung kpl. | Quick coupling cpl. |
| 26 | 1 | 603 001 237 | | Dichtung | Gasket |
| 27 | 1 | 603 000 320 | | O-Ring | O-ring |
| 28 | 1 | 601 600 659 | | Nippel f. Schnellkupplung N.d. | Nipple f. quick coupling L.p. |
| 29 | 1 | 601 802 107 | | Schlauchschelle | Hose clip |
| 30 | 1 | 601 801 075 | | Dichtungsscheibe | Tightening gasket |
| 31 | 1 | 606 101 038 | | Kolben | Piston |
| 32 | 1 | 601 600 493 | | Nippel f. Schnellkupplung H.d. | Nipple f. quick coupling H.p. |
| 32 | 1 | 601 603 101 | | Nippel f. Schnellkupplung H.d. RF | Nipple f. quick coupling H.p. SS |
| 33 | 1 | 601 119 244 | | Thermofühler mit O-Ring | Thermal sensor with O-ring |
| 34 | 1 | 603 004 217 | | O-Ring | O-ring |
| 35a | 1 | 601 119 245 | | Rep.-Satz, Auslaßrohr | Repair kit, outlet pipe |
| 35b | 1 | 601 119 272 | | Rep.-Satz, Auslaßrohr | Repair kit, outlet pipe |
| 36 | 1 | 606 184 477 | | Gummibuchse | Rubber bush |
| 40 | 1 | 602 406 447 | | Schlauch | Hose |
| 41 | 2 | 601 802 107 | | Schlauchschelle | Hose clip |
| 42 | 1 | 601 119 210 | | Rep.-Satz, Einlaßwinkel | Repair kit, inlet elbow |
| 43 | 2 | 601 803 139 | | Schraube M3x6 | Screw |
| 44 | 1 | 603 821 228 | | Thermoschalter | Thermal switch |
| 45 | 1 | 606 241 250 | | Stutzen für Kesseleinlaß | Socket for boiler inlet |

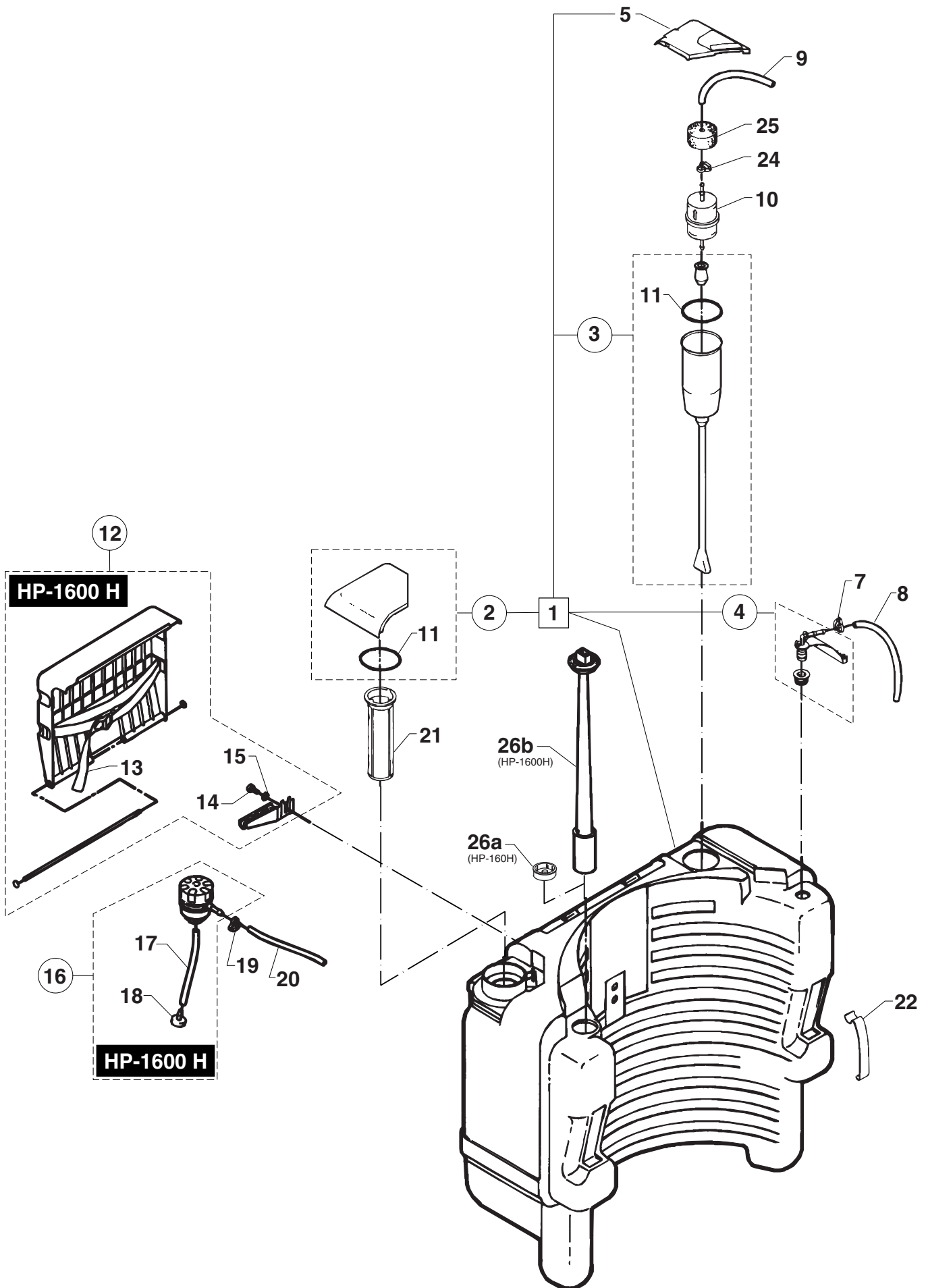
HP-145 H
HP-155 H
HP-160 H
HP-1600 H

17

Brennstofftank
Fuel tank

HP-160 H, HP-1600 H

DOLMAR



HP-145 H
 HP-155 H
 HP-160 H
 HP-1600 H

17

Brennstofftank
 Fuel tank

HP-160 H, HP-1600 H



| Pos. | Anzahl Quantity | Teil-Nr. Part No. | Hinweise Notes | Benennung | Description |
|------|--------------------|----------------------|-------------------|-------------------------------------|---------------------------------|
| 1 | 1 1 | 606 184 932 | | Brennstofftank, Satz | Fuel tank, kit |
| 2 | 1 1 | 601 119 237 | | Rep.-Satz, Deckel f. Brennstofftank | Repair kit, cover for fuel tank |
| 3 | 1 1 | 601 119 238 | | Rep.-Satz, Filterhalterung | Repair kit, filter holder |
| 4 | 1 1 | 601 119 239 | | Rep.-Satz, Rückführungsdeckel | Repair kit, return lid |
| 5 | 1 1 | 606 184 097 | | Deckel für Filter | Cover for filter |
| 7 | 1 1 | 606 184 101 | | Schlauchschelle | Hose clip |
| 8 | 1 1 | 602 450 007 | | Brennstoffschlauch 950mm | Fuel hose |
| 9 | 1 1 | 602 450 006 | | Brennstoffschlauch 1200mm | Fuel hose |
| 10 | 1 1 | 606 184 100 | | Brennstofffilter | Fuel filter |
| 11 | 2 2 | 603 003 944 | | O-Ring | O-ring |
| 12 | 1 | 601 119 240 | | Rep.-Satz, Behältergestell | Repair kit, container rack |
| 13 | 1 | 606 184 902 | | Riemen für Behälter | Strap for container |
| 14 | 1 | 601 802 933 | | Schraube M6x22 RF | Screw |
| 15 | 1 | 601 813 807 | | Scheibe | Washer |
| 16 | 1 | 606 180 410 | | Dosierungseinheit kpl. | Dosing unit cpl. |
| 17 | 1 | 602 450 002 | | Schlauch | Hose |
| 18 | 1 | 606 400 240 | | Filter | Filter |
| 19 | 1 | 601 810 084 | | Schlauchschelle | Hose clip |
| 20 | 1 | 602 450 011 | | Schlauch | Hose |
| 21 | 1 1 | 601 604 222 | | Filter | Filter |
| 22 | 2 2 | 602 601 565 | | Federschloß | Hook |
| 24 | 1 1 | 601 810 084 | | Schlauchschelle | Hose clip |
| 25 | 1 1 | 606 184 117 | | Schaumstoffkorken | Foam rubber stopper |
| 26a | 1 | 606 184 094 | | Pfropfen | Plug |
| 26b | 1 | 606 420 303 | | Niveaunkontakt kpl. | Level switch cpl. |



| | | |
|--------|-----------------------------------|----------------------------------|
| 2 - 7 | HP-145H, 155H | |
| 2 | Gehäuse (Übersicht) | Cabinet (summary) |
| 3 | Motor, Pumpe | Motor, pump |
| 4 | Umlaufventil | By-pass valve |
| 5 | Elektrogehäuse | Connection box |
| 6 | Kessel | Boiler |
| 7 | Deckel für Schwimmergehäuse | Cover for float chamber |
| 8 - 17 | HP-160H, 1600H | |
| 8 | Gehäuse (Übersicht) | Cabinet (summary) |
| 9 | Motor, Pumpe | Motor, pump |
| 10 | Umlaufventil | By-pass valve |
| 11 | Gehäuse Auto Start/Stopp HP-1600H | Auto start/stop housing HP-1600H |
| 12 | Elektrische Komponenten HP-160H | Electrical components HP-160H |
| 13 | Elektrische Komponenten HP-1600H | Electrical components HP-1600H |
| 14 | Kessel | Boiler |
| 15 | Strömungsschalter HP-1600H | Flow switch HP-1600H |
| 16 | Schwimmergehäusedeckel HP-1600H | Cover for float chamber HP-1600H |
| 16 | Wassereinlaß / Auslaß | Water inlet / outlet |
| 17 | Brennstofftank | Fuel tank |

| | Zeichenerklärung | Key to symbols | Légende |
|-----------|---|--------------------------------------|---|
| ⇒ 1999999 | Produktion bis Serien-Nr. | Production to serial number | Production jusqu'à n° de série |
| 2000000 ⇒ | Neues Teil ab Serien-Nr. | New part from serial number | Nouvelle pièce à partir du n° de série |
| 4/95 ⇒ | Neues Teil ab Woche / Jahr | New part from Week / Year | Nouvelle pièce à partir de Semaine / Année |
| SI 5/95 | Siehe Service-Information Monat / Jahr | See Service-Information Month / Year | Voir Service-Information Mois / Année |
| => | Teil gleichwertig ersetzt | Modified part | Pièce modifiée |
| xxx | Nicht mehr lieferbar | No more available | Plus livrable |
| = | Keine Serienausführung, jedoch verwendbar | No standard execution, may be used | Aucune exécut. en série, cependant utilisable |
| { | Beinhaltet Positions-Nr. | Contains item no. | contient n° de numéro |
| m* | Meterware | Sold by the meter | Au mètre |
| ⊛ | Innensternschraube | Star socket screw | Vis à étoile intérieure |
| Corr. | Druckfehlerberichtigung | Error correction | Rectification d'erreurs |