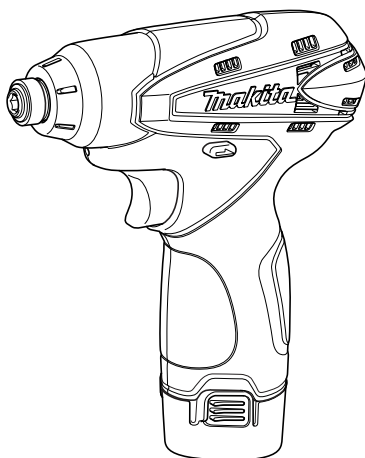
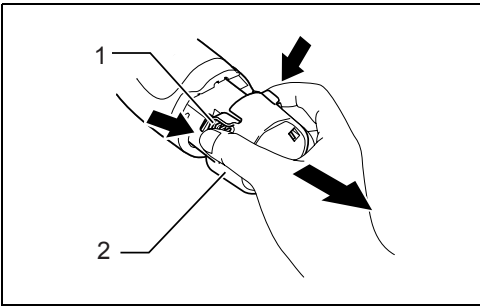




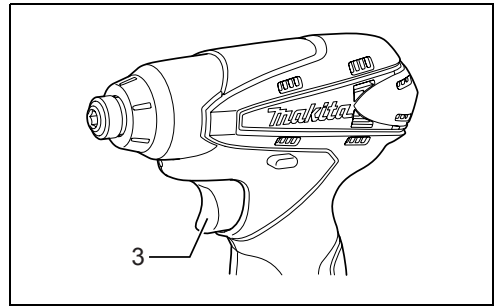
<b>GB</b> Cordless Impact Driver	<b>Instruction manual</b>
<b>F</b> Visseuse à chocs sans fil	<b>Manuel d'instructions</b>
<b>D</b> Akku-Schlagschrauber	<b>Betriebsanleitung</b>
<b>I</b> Avvitatore a massa battente a batteria	<b>Istruzioni per l'uso</b>
<b>NL</b> Accuslagschroevendraaier	<b>Gebruiksaanwijzing</b>
<b>E</b> Atornillador de impacto a batería	<b>Manual de instrucciones</b>
<b>P</b> Berbequim de impacto sem fios	<b>Manual de instruções</b>
<b>DK</b> Akku slagskruetrækker	<b>Brugsanvisning</b>
<b>GR</b> Κρουστικό κατσαβίδι μπαταρίας	<b>Οδηγίες χρήσης</b>

**TD090D**

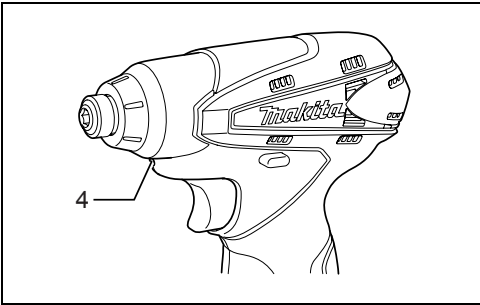




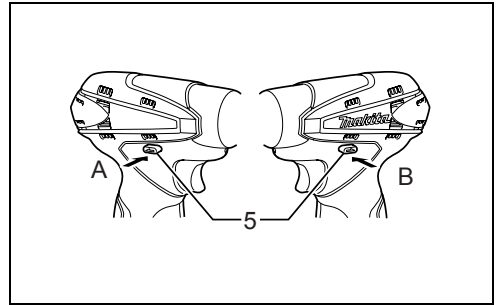
1



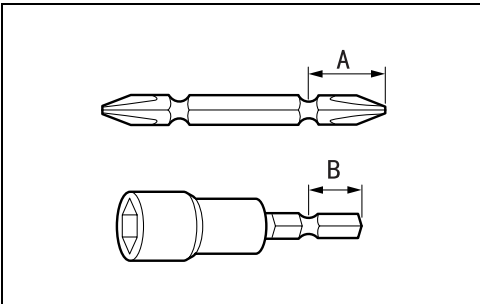
2



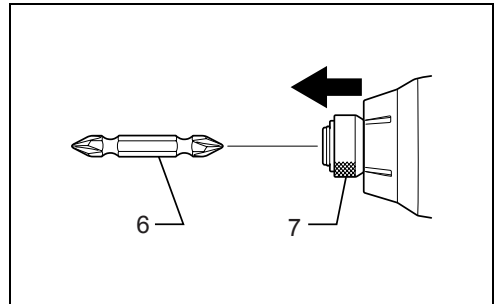
3



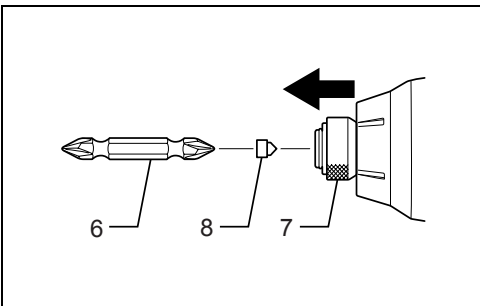
4



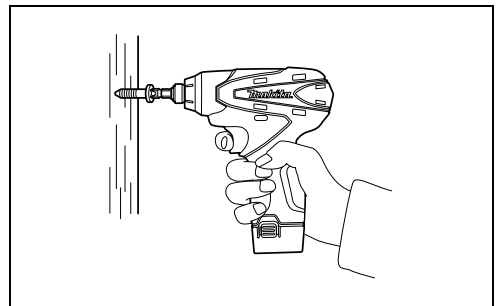
5



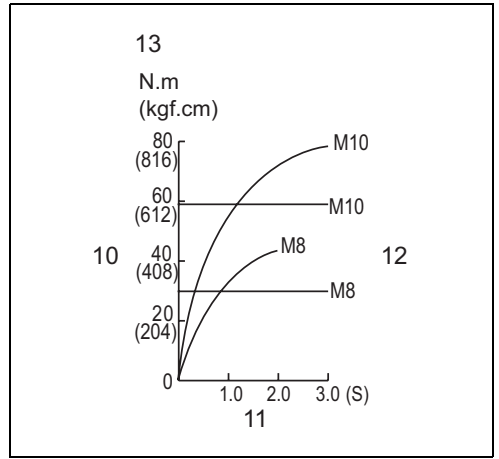
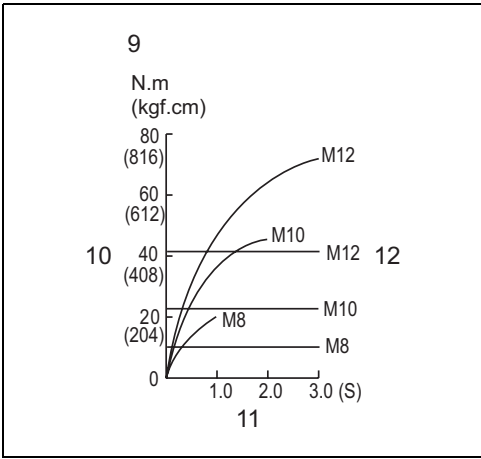
6



7

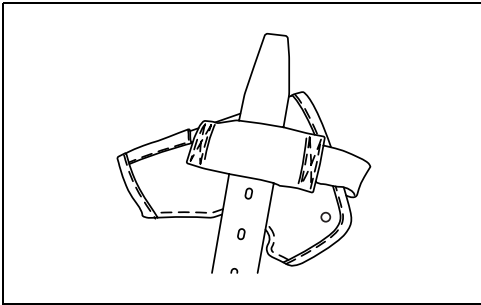


8

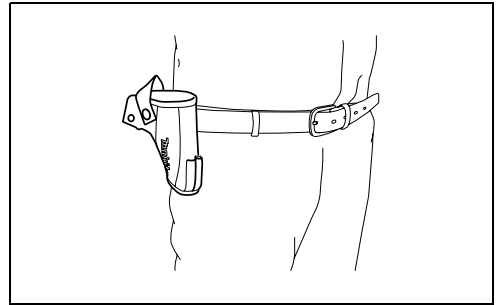


9

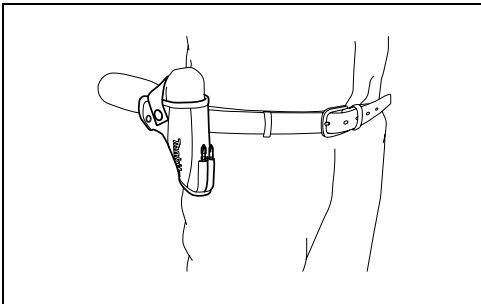
10



11



12



13

## ENGLISH (Original instructions)

### Explanation of general view

- |                           |                      |                             |
|---------------------------|----------------------|-----------------------------|
| 1. Button                 | 6. Bit               | 11. Fastening time          |
| 2. Battery cartridge      | 7. Sleeve            | 12. Proper fastening torque |
| 3. Switch trigger         | 8. Bit-piece         | 13. High tensile bolt       |
| 4. Lamp                   | 9. Standard bolt     |                             |
| 5. Reversing switch lever | 10. Fastening torque |                             |

## SPECIFICATIONS

Model		TD090D
Capacities	Machine screw	4 mm - 8 mm
	Standard bolt	5 mm - 14 mm
	High tensile bolt	5 mm - 10 mm
No load speed (min <sup>-1</sup> )		0 - 2,400
Impacts per minute		0 - 3,000
Overall length		155 mm
Net weight		0.92 kg
Rated voltage		D.C. 10.8 V

- Due to our continuing programme of research and development, the specifications herein are subject to change without notice.
- Specifications may differ from country to country.
- Weight, with battery cartridge, according to EPTA-Procedure 01/2003

### Intended use

ENE033-1

The tool is intended for screw driving in wood, metal and plastic.

## General Power Tool Safety Warnings

GEA010-1

**⚠ WARNING** Read all safety warnings and all instructions. Failure to follow the warnings and instructions may result in electric shock, fire and/or serious injury.

## Save all warnings and instructions for future reference.

## SPECIFIC SAFETY RULES

GEB012-3

**DO NOT** let comfort or familiarity with product (gained from repeated use) replace strict adherence to impact driver safety rules. If you use this tool unsafely or incorrectly, you can suffer serious personal injury.

1. **Hold power tool by insulated gripping surfaces, when performing an operation where the fastener may contact hidden wiring or its own cord.**  
Fasteners contacting a "live" wire may make exposed metal parts of the power tool "live" and could give the operator an electric shock.
2. **Always be sure you have a firm footing. Be sure no one is below when using the tool in high locations.**
3. **Hold the tool firmly.**
4. **Wear ear protectors.**

## SAVE THESE INSTRUCTIONS.

### WARNING:

**MISUSE** or failure to follow the safety rules stated in this instruction manual may cause serious personal injury.

## IMPORTANT SAFETY INSTRUCTIONS

ENC007-4

## FOR BATTERY CARTRIDGE

1. **Before using battery cartridge, read all instructions and cautionary markings on (1) battery charger, (2) battery, and (3) product using battery.**
2. **Do not disassemble battery cartridge.**
3. **If operating time has become excessively shorter, stop operating immediately. It may result in a risk of overheating, possible burns and even an explosion.**
4. **If electrolyte gets into your eyes, rinse them out with clear water and seek medical attention right away. It may result in loss of your eyesight.**
5. **Do not short the battery cartridge:**
  - (1) **Do not touch the terminals with any conductive material.**
  - (2) **Avoid storing battery cartridge in a container with other metal objects such as nails, coins, etc.**
  - (3) **Do not expose battery cartridge to water or rain.**  
A battery short can cause a large current flow, overheating, possible burns and even a breakdown.

6. Do not store the tool and battery cartridge in locations where the temperature may reach or exceed 50 °C (122 °F).
7. Do not incinerate the battery cartridge even if it is severely damaged or is completely worn out. The battery cartridge can explode in a fire.
8. Be careful not to drop or strike battery.
9. Do not use dropped or struck battery.

## SAVE THESE INSTRUCTIONS.

### Tips for maintaining maximum battery life

1. Charge the battery cartridge before completely discharged.  
Always stop tool operation and charge the battery cartridge when you notice less tool power.
2. Never recharge a fully charged battery cartridge.  
Overcharging shortens the battery service life.
3. Charge the battery cartridge with room temperature at 10 °C - 40 °C (50 °F - 104 °F). Let a hot battery cartridge cool down before charging it.

## FUNCTIONAL DESCRIPTION

### CAUTION:

- Always be sure that the tool is switched off and the battery cartridge is removed before adjusting or checking function on the tool.

### Installing or removing battery cartridge (Fig. 1)

- Always switch off the tool before insertion or removal of the battery cartridge.
- To remove the battery cartridge, withdraw it from the tool while pressing the buttons on both sides of the cartridge.
- To insert the battery cartridge, hold it so that the battery cartridge front shape fits to that of the battery installation opening and slip it into place.  
Always insert it all the way until it locks in place with a little click. If not, it may accidentally fall out of the tool, causing injury to you or someone around you.
- Do not use force when inserting the battery cartridge. If the cartridge does not slide in easily, it is not being inserted correctly.

### Switch action (Fig. 2)

#### CAUTION:

- Before inserting the battery cartridge into the tool, always check to see that the switch trigger actuates properly and returns to the "OFF" position when released.

To start the tool, simply pull the switch trigger. Tool speed is increased by increasing pressure on the switch trigger. Release the switch trigger to stop.

### Turning on the front lamp (Fig. 3)

#### CAUTION:

- Do not look in the light or see the source of the light directly.

Pull the switch trigger to turn on the light. The lamp keeps on lighting while the switch trigger is being pulled. The lamp turns off 10 -15 seconds after releasing the trigger.

#### NOTE:

- Use a dry cloth to wipe the dirt off the lens of lamp.  
Be careful not to scratch the lens of lamp, or it may lower the illumination.

### Reversing switch action (Fig. 4)

This tool has a reversing switch to change the direction of rotation. Depress the reversing switch lever from the A side for clockwise rotation or from the B side for counterclockwise rotation.

When the reversing switch lever is in the neutral position, the switch trigger cannot be pulled.

#### CAUTION:

- Always check the direction of rotation before operation.
- Use the reversing switch only after the tool comes to a complete stop. Changing the direction of rotation before the tool stops may damage the tool.
- When not operating the tool, always set the reversing switch lever to the neutral position.

## ASSEMBLY

### CAUTION:

- Always be sure that the tool is switched off and the battery cartridge is removed before carrying out any work on the tool.

### Installing or removing driver bit or socket bit (Fig. 5)

Use only bits that has inserting portion shown in the figure.

#### For European and North & South American countries, Australia and New Zealand

A=12 mm B=9 mm	Use only these type of bit. Follow the procedure (1). (Note) Bit-piece is not necessary.
-------------------	---

#### For other countries

A=17 mm B=14 mm	To install these types of bits, follow the procedure (1). (Note) Makita bits are these types.
A=12 mm B=9 mm	To install these types of bits, follow the procedure (2). (Note) Bit-piece is necessary for installing the bit.

1. To install the bit, pull the sleeve in the direction of the arrow and insert the bit into the sleeve as far as it will go. Then release the sleeve to secure the bit. (Fig. 6)
2. To install the bit, pull the sleeve in the direction of the arrow and insert the bit-piece and bit into the sleeve as far as it will go. The bit-piece should be inserted into the sleeve with its pointed end facing in. Then release the sleeve to secure the bit. (Fig. 7)

To remove the bit, pull the sleeve in the direction of the arrow and pull the bit out firmly.

#### NOTE:

- If the bit is not inserted deep enough into the sleeve, the sleeve will not return to its original position and the

bit will not be secured. In this case, try re-inserting the bit according to the instructions above.

## OPERATION (Fig. 8)

The proper fastening torque may differ depending upon the kind or size of the screw/bolt, the material of the workpiece to be fastened, etc. The relation between fastening torque and fastening time is shown in the figures. (Fig. 9 & 10)

Hold the tool firmly and place the point of the driver bit in the screw head. Apply forward pressure to the tool to the extent that the bit will not slip off the screw and turn the tool on to start operation.

### NOTE:

- Use the proper bit for the head of the screw/bolt that you wish to use.
- When fastening screw M8 or smaller, carefully adjust pressure on the switch trigger so that the screw is not damaged.
- Hold the tool pointed straight at the screw.
- If you tighten the screw for a time longer than shown in the figures, the screw or the point of the driver bit may be overstressed, stripped, damaged, etc. Before starting your job, always perform a test operation to determine the proper fastening time for your screw.

The fastening torque is affected by a wide variety of factors including the following. After fastening, always check the torque with a torque wrench.

1. When the battery cartridge is discharged almost completely, voltage will drop and the fastening torque will be reduced.
2. Driver bit or socket bit  
Failure to use the correct size driver bit or socket bit will cause a reduction in the fastening torque.
3. Bolt
  - Even though the torque coefficient and the class of bolt are the same, the proper fastening torque will differ according to the diameter of bolt.
  - Even though the diameters of bolts are the same, the proper fastening torque will differ according to the torque coefficient, the class of bolt and the bolt length.
4. The manner of holding the tool or the material of driving position to be fastened will affect the torque.
5. Operating the tool at low speed will cause a reduction in the fastening torque.

## Using holster

### CAUTION:

- Do not use for tools such as a drill with a bit installed on them.
- Turn off a tool and wait until it comes to a complete stop before placing in the holster.  
Be sure to close the holster securely so that it holds the tool firmly.

Thread a waist belt or similar through holster holder. Put the tool in the holster and lock it with the holster button. (Fig. 11 & 12)

Two bits can be retained at the front of holster. (Fig. 13)

## MAINTENANCE

### CAUTION:

- Always be sure that the tool is switched off and the battery cartridge is removed before attempting to perform inspection or maintenance.

To maintain product SAFETY and RELIABILITY, repairs, any other maintenance or adjustment should be performed by Makita Authorized Service Centers, always using Makita replacement parts.

## ACCESSORIES

### CAUTION:

- These accessories or attachments are recommended for use with your Makita tool specified in this manual. The use of any other accessories or attachments might present a risk of injury to persons. Only use accessory or attachment for its stated purpose.

If you need any assistance for more details regarding these accessories, ask your local Makita Service Center.

- Screw bits
- Socket bits
- Bit piece
- Holster
- Plastic carrying case
- Various type of Makita genuine batteries and chargers

### For European countries only

#### Noise

ENG102-2

The typical A-weighted noise level determined according to EN60745:

Sound pressure level ( $L_{pA}$ ): 92 dB (A)

Sound power level ( $L_{WA}$ ): 103 dB (A)

Uncertainty (K): 3 dB (A)

#### Wear ear protection.

#### Vibration

ENG205-1

The vibration total value (tri-axial vector sum) determined according to EN60745-2-2:

Work mode: impact tightening of fasteners of the maximum capacity of the tool

Vibration emission ( $a_h$ ): 10 m/s<sup>2</sup>

Uncertainty (K): 1.5 m/s<sup>2</sup>

ENG901-1

- The declared vibration emission value has been measured in accordance with the standard test method and may be used for comparing one tool with another.
- The declared vibration emission value may also be used in a preliminary assessment of exposure.

### ⚠ WARNING:

- The vibration emission during actual use of the power tool can differ from the declared emission value depending on the ways in which the tool is used.
- Be sure to identify safety measures to protect the operator that are based on an estimation of exposure in the actual conditions of use (taking account of all parts of the operating cycle such as the times when the tool is switched off and when it is running idle in addition to the trigger time).

**EC Declaration of Conformity**

ENH101-12

**We Makita Corporation as the responsible manufacturer declare that the following Makita machine(s):**

Designation of Machine: Cordless Impact Driver

Model No./ Type: TD090D

are of series production and

**Conforms to the following European Directives:**

98/37/EC until 28th December 2009 and then with

2006 42/EC from 29th December 2009

And are manufactured in accordance with the following standards or standardised documents:

EN60745

The technical documentation is kept by our authorised representative in Europe who is:

Makita International Europe Ltd.,

Michigan, Drive, Tongwell,

Milton Keynes, MK15 8JD, England

30th January 2009



Tomoyasu Kato

Director

Makita Corporation

3-11-8, Sumiyoshi-cho,

Anjo, Aichi, JAPAN

- |                          |                       |                               |
|--------------------------|-----------------------|-------------------------------|
| 1. Bouton                | 6. Foret              | 11. Durée de serrage          |
| 2. Batterie              | 7. Manchon            | 12. Couple de serrage adéquat |
| 3. Gâchette              | 8. Partie d'embout    | 13. Boulon haute résistance   |
| 4. Lampe                 | 9. Boulon standard    |                               |
| 5. Levier de l'inverseur | 10. Couple de serrage |                               |

## SPÉCIFICATIONS

Modèle		TD090D
Capacités	Vis de mécanique	4 à 8 mm
	Boulon standard	5 à 14 mm
	Boulon haute résistance	5 à 10 mm
Vitesse à vide (min <sup>-1</sup> )		0 - 2 400
Chocs par minute		0 - 3 000
Longueur totale		155 mm
Poids net		0,92 kg
Tension nominale		C.C. 10,8 V

- Étant donné l'évolution constante de notre programme de recherche et de développement, les spécifications contenues dans ce manuel sont sujettes à des modifications sans préavis.
- Les spécifications peuvent varier d'un pays à l'autre.
- Poids, batterie incluse, selon la procédure EPTA 01/2003

### Utilisations

ENE033-1

L'outil est conçu pour le vissage dans le bois, le métal et le plastique.

sous tension, risquant ainsi de provoquer un choc électrique chez l'utilisateur.

2. **Veillez à toujours avoir une bonne position d'équilibre.**

Assurez-vous que personne ne se trouve dessous lorsque vous utilisez l'outil en position élevée.

3. **Tenez l'outil fermement.**
4. **Portez des protections auditives.**

## Consignes de sécurité générales des outils électriques

GEA010-1

**⚠ AVERTISSEMENT** Veuillez lire toutes les consignes de sécurité et les instructions. Il y a un risque de choc électrique, d'incendie et/ou de blessure grave si les consignes et les instructions ne sont pas toutes respectées.

## Conservez toutes les consignes et instructions pour référence ultérieure.

## CONSIGNES DE SÉCURITÉ SPÉCIFIQUES

GEB012-3

**NE** vous laissez **PAS** tromper (au fil d'une utilisation répétée) par un sentiment d'aisance et de familiarité avec le produit, en négligeant le respect rigoureux des consignes de sécurité qui accompagnent l'outil. En utilisant cet outil dans des conditions dangereuses ou incorrectes, vous vous exposez à un risque de blessures graves.

1. Tenez l'outil électrique par ses surfaces de poigne isolées lorsque vous effectuez une opération au cours de laquelle la pièce de fixation peut entrer en contact avec des fils dissimulés ou avec le cordon de l'outil. Il est possible que les pièces de fixation entrant en contact avec un fil sous tension mettent les parties métalliques exposées de l'outil

## CONSERVEZ CES INSTRUCTIONS.

### AVERTISSEMENT :

Une UTILISATION INCORRECTE de l'outil ou un non-respect des consignes de sécurité indiquées dans ce manuel d'instructions peuvent causer des blessures graves.

## CONSIGNES DE SÉCURITÉ IMPORTANTES

ENC007-4

### POUR LA BATTERIE

1. Avant d'utiliser la batterie, veuillez lire toutes les instructions et tous les avertissements inscrits sur (1) le chargeur, (2) la batterie et (3) l'appareil alimenté par la batterie.
2. Ne démontez pas la batterie.
3. Cessez immédiatement d'utiliser l'outil si la durée de fonctionnement devient excessivement courte. Il y a un risque de surchauffe, de brûlures, voire d'explosion.
4. Si l'électrolyte pénètre dans vos yeux, rincez-les à l'eau claire et consultez immédiatement un médecin. Il y a un risque de perte de la vue.

5. **Évitez de court-circuiter la batterie :**
  - (1) **Ne touchez pas les bornes avec un matériau conducteur.**
  - (2) **Évitez de ranger la batterie dans un contenant où se trouvent d'autres objets métalliques tels que des clous, des pièces de monnaie, etc.**
  - (3) **N'exposez pas la batterie à l'eau ou à la pluie. Un court-circuit de la batterie peut provoquer un fort courant, une surchauffe, des brûlures et même une panne.**
6. **Ne rangez pas l'outil ou la batterie dans des endroits où la température risque d'atteindre ou de dépasser 50°C.**
7. **Ne jetez pas la batterie au feu même si elle est sérieusement endommagée ou complètement épuisée. La batterie peut exploser au contact du feu.**
8. **Veillez à ne pas laisser tomber ou heurter la batterie.**
9. **N'utilisez pas une batterie qui est tombée ou qui a subi un choc.**

## CONSERVEZ CES INSTRUCTIONS.

### Conseils pour assurer la durée de vie optimale de la batterie

1. **Rechargez la batterie avant qu'elle ne soit complètement épuisée.**  
Arrêtez toujours l'outil et rechargez la batterie quand vous constatez que la puissance de l'outil diminue.
2. **Ne rechargez jamais une batterie complètement chargée.**  
La surcharge réduit la durée de service de la batterie.
3. **Rechargez la batterie à une température ambiante de 10°C - 40°C. Si une batterie est chaude, laissez-la refroidir avant de la charger.**

## DESCRIPTION DU FONCTIONNEMENT

### ATTENTION :

- Veillez toujours à ce que l'appareil soit éteint et la batterie déposée avant d'effectuer des réglages ou des contrôles sur le fonctionnement de l'appareil.

### Installation et retrait de la batterie (Fig. 1)

- Mettez toujours l'outil hors tension avant d'insérer ou de retirer la batterie.
- Pour déposer la batterie, retirez-la de l'outil en appuyant sur les boutons situés de chaque côté de la batterie.
- Pour insérer la batterie, la tenir de sorte que la forme de l'avant de la batterie s'ajuste à celle de l'ouverture aménagée de la batterie et glisser-la en position. Insérez-la toujours bien à fond, jusqu'à ce qu'elle se verrouille en émettant un léger clic. Sinon, la batterie risque de tomber accidentellement de l'outil, en vous blessant ou en blessant une personne se trouvant près de vous.

- N'appliquez pas une force excessive lors de l'insertion de la batterie. Si la batterie ne glisse pas aisément, c'est qu'elle n'est pas insérée correctement.

### Interrupteur (Fig. 2)

#### ATTENTION :

- Avant d'insérer la batterie dans l'outil, vérifiez toujours que la gâchette fonctionne bien et revient en position d'arrêt lorsqu'elle est relâchée.

Pour mettre l'outil en marche, appuyez simplement sur la gâchette. La vitesse de l'outil augmente à mesure que l'on accroît la pression exercée sur la gâchette. Pour l'arrêter, relâchez la gâchette.

### Allumage de la lampe avant (Fig. 3)

#### ATTENTION :

- Ne regardez pas directement la lumière ou la source de lumière.

Appuyez sur la gâchette pour allumer la lampe. La lampe demeure allumée tant que la pression sur la gâchette est maintenue. La lampe s'éteint 10 à 15 secondes après la libération de la gâchette.

#### REMARQUE :

- Utilisez un chiffon sec pour essuyer les saletés qui recouvrent la lentille de la lampe.  
Prenez garde de rayer la lentille de la lampe, sinon sa capacité d'éclairage sera affectée.

### Marche arrière (Fig. 4)

L'outil possède un inverseur qui permet de changer le sens de rotation. Appuyez sur le levier de l'inverseur par le côté A pour une rotation dans le sens des aiguilles d'une montre, ou par le côté B pour une rotation en sens inverse.

La pression sur la gâchette n'est pas possible lorsque le levier de l'inverseur se trouve en position neutre.

#### ATTENTION :

- Vérifiez toujours le sens de rotation avant de mettre l'outil en marche.
- N'actionnez l'inverseur qu'une fois l'outil complètement arrêté. Si vous changez le sens de rotation de l'outil avant l'arrêt de l'outil, vous risquez de l'endommager.
- Lorsque vous n'utilisez pas l'outil, placez toujours le levier de l'inverseur en position neutre.

## ASSEMBLAGE

#### ATTENTION :

- Assurez-vous toujours que l'outil est hors tension et que la batterie est retirée avant d'effectuer toute intervention sur l'outil.

### Pour installer ou retirer l'embout ou le foret (Fig. 5)

N'utilisez que des forets qui ont une partie qui s'insère comme illustré sur la figure.

## Pour les pays d'Amérique du nord et du sud et européens, l'Australie et la Nouvelle-Zélande

A = 12 mm B = 9 mm	N'utilisez que ces types de forets. Suivre la procédure (1). (Remarque) la partie d'embout n'est pas nécessaire.
-----------------------	---

## Pour les autres pays

A = 17 mm B = 14 mm	Pour installer ces types de foret suivez la procédure (1). (Remarque) les forets Makita sont ces types
A = 12 mm B = 9 mm	Pour installer ces types de foret suivez la procédure (2). (Remarque) la partie d'embout est nécessaire pour installer l'embout

1. Pour installer l'embout, tirez le manchon dans le sens de la flèche et insérez l'embout dans le manchon aussi profondément que possible. Relâchez ensuite le manchon pour sécuriser l'embout. (Fig. 6)
2. Pour installer l'embout, tirez le manchon dans le sens de la flèche et insérez l'embout dans le manchon aussi profondément que possible. La pièce d'embout doit être insérée dans le manchon avec son extrémité pointée face à l'entrée. Puis libérer le manchon pour serrer l'embout. (Fig. 7)

Pour enlever l'embout, tirez le manchon dans le sens de la flèche et tirez-le avec fermeté.

### REMARQUE :

- Si l'embout n'est pas inséré suffisamment profondément dans le manchon, ce dernier ne retournera pas à sa position d'origine et l'embout ne sera pas sécurisé. Dans ce cas, essayez de ré-insérer l'embout selon les instructions ci-dessus.

## UTILISATION (Fig. 8)

Le couple de serrage adéquat peut différer selon le type ou la taille de la vis/boulon, le matériau de la pièce de travail à fixer, etc. La relation entre le couple et la durée de serrage est illustrée sur les figures. (Fig. 9 et 10)

Tenez fermement l'outil et placez la pointe de l'embout dans la tête de la vis Appliquez une pression sur l'outil vers l'avant de sorte que l'embout ne glissera pas de la vis et démarrez l'outil pour commencer le travail à effectuer.

### REMARQUE :

- Utilisez l'embout approprié pour la tête de vis/boulon que vous souhaitez utiliser.
- Quand vous fixez des vis M8 ou plus petites, réglez soigneusement la pression sur la gâchette de sorte que la vis ne soit pas endommagée.
- Maintenez l'outil pointé tout droit sur la vis.
- Si vous serrez la vis plus longtemps que le temps indiqué dans les tableaux, la vis ou la pointe de l'embout peut être surexploitée, foirée, endommagée, etc. Avant de commencer votre travail, faites toujours un essai pour déterminer la durée de serrage correcte pour votre vis.

Le couple de serrage est affecté par un grand nombre de facteurs, dont les suivants. Après le serrage, vérifiez toujours le couple avec une clé dynamométrique.

1. Lorsque la batterie est presque complètement déchargée, la tension baisse et cela réduit le couple de serrage.
2. Embout ou embout à douille  
Si vous n'utilisez pas un embout ou un embout à douille de taille appropriée, cela entraînera une diminution du couple de serrage.
3. boulon
  - Pour un même coefficient de couple et une même classe de boulon, le couple de serrage adéquat varie suivant le diamètre du boulon.
  - Bien que les diamètres des boulons soient identiques, le couple de serrage approprié diffèrera en fonction du coefficient de couple; de la classe et de la longueur du boulon.
4. Le couple est affecté par la façon dont l'outil est tenu ou par le matériau à serrer.
5. L'opération de l'outil à une vitesse lente entraînera une réduction du couple de serrage.

## Utilisation de l'étui

### ATTENTION :

- Ne pas utiliser pour des outils tels qu'une perceuse avec un embout installé dessus.
- Mettez hors tension l'outil et attendez jusqu'à ce qu'il s'arrête complètement avant de le mettre dans l'étui. Assurez-vous de fermer l'étui de manière sécurisée de sorte qu'il tienne l'outil fermement.

Enfilez une ceinture pour la taille ou similaire à travers le porte-étui.

Mettez l'outil dans l'étui et verrouillez-le avec le bouton de l'étui. (Fig. 11 et 12)

Deux forets peuvent être gardés sur le devant de l'étui. (Fig. 13)

## MAINTENANCE

### ATTENTION :

- Assurez-vous toujours que l'outil est hors tension et que la batterie est retirée avant d'y effectuer tout travail d'inspection ou d'entretien.

Pour assurer la SÉCURITÉ et la FIABILITÉ du produit, toute réparation et tout travail d'entretien ou de réglage doivent être effectués par un Centre de service après-vente agréé Makita, avec des pièces de rechange Makita.

## ACCESSOIRES

### ATTENTION :

- Ces accessoires ou pièces complémentaires sont recommandés pour l'utilisation avec l'outil Makita spécifié dans ce manuel. L'utilisation de tout autre accessoire ou pièce complémentaire comporte un risque de blessures. Utilisez uniquement l'accessoire ou la pièce complémentaire dans le but spécifié.

Pour obtenir plus de détails sur ces accessoires, contactez un Centre de service après-vente local Makita.

- Embouts
- Embouts à douille
- Partie d'embout
- Holster
- Étui en plastique
- Divers types de batteries et chargeurs de marque Makita.

La documentation technique est disponible auprès de notre représentant en Europe qui est :

Makita International Europe Ltd.,  
Michigan, Drive, Tongwell,  
Milton Keynes, MK15 8JD, Angleterre

Le 30 janvier 2009

#### Pour l'Europe uniquement

**Bruit** ENG102-2

Les niveaux de bruit pondéré A typiques ont été mesurés selon la norme EN60745 :

- Niveau de pression sonore ( $L_{pA}$ ) : 92 dB (A)
- Niveau de puissance sonore ( $L_{WA}$ ) : 103 dB (A)
- Incertitude (K) : 3 dB (A)

#### Portez des protections auditives.

**Vibration** ENG205-1

La valeur totale de vibration (somme du vecteur triaxial) déterminée selon EN60745-2-2 :

- Mode de fonctionnement : serrage par impact des pièces de fixation de la capacité maximale de l'outil
- Émission des vibrations ( $a_n$ ) : 10 m/s<sup>2</sup>
- Incertitude (K) : 1,5 m/s<sup>2</sup>

ENG901-1

- La valeur de l'émission des vibrations déclarée a été mesurée conformément à la méthode de test standard et peut être utilisée afin de comparer des outils entre eux.
- La valeur de l'émission des vibrations déclarée peut également être utilisée lors d'une évaluation préliminaire de l'exposition.

#### AVERTISSEMENT :

- Selon la manière dont l'outil est utilisé, il est possible que l'émission des vibrations pendant l'utilisation réelle de l'outil électrique diffère de la valeur de l'émission déclarée.
- Veuillez à identifier les mesures de sécurité destinées à protéger l'opérateur et établies en fonction de l'estimation de l'exposition dans les conditions réelles d'utilisation (en prenant en compte toutes les étapes du cycle de fonctionnement, telles que les périodes de mise hors tension de l'outil, les périodes de fonctionnement au ralenti et les périodes de mise en route).

**Déclaration de conformité CE** ENH101-12

**Nous, Makita Corporation, en tant que fabricant responsable, déclarons que les machines Makita suivantes :**

Nom de la machine : Visseuse à chocs sans fil  
N° de modèle/ Type : TD090D  
sont fabriquées en série et

**sont conformes aux directives européennes suivantes :**

98/37/CE jusqu'au 28 décembre 2009 puis 2006/42/CE à partir du 29 décembre 2009

et sont fabriquées conformément aux normes ou documents de normalisation suivants :

EN60745



Tomoyasu Kato  
Directeur

Makita Corporation  
3-11-8, Sumiyoshi-cho,  
Anjo, Aichi, JAPAN

# DEUTSCH (Originalanweisungen)

## Erklärung der Gesamtdarstellung

- |                     |                   |                            |
|---------------------|-------------------|----------------------------|
| 1. Taste            | 6. Einsatz        | 11. Anzugszeit             |
| 2. Akkublock        | 7. Kranz          | 12. Richtiges Anzugsmoment |
| 3. Ein/Aus-Schalter | 8. Einsatzteil    | 13. Höherfester Bolzen     |
| 4. Lampe            | 9. Standardbolzen |                            |
| 5. Umschalthebel    | 10. Anzugsmoment  |                            |

## TECHNISCHE DATEN

Modell		TD090D
Leistungen	Maschinenschraube	4 bis 8 mm
	Standardbolzen	5 bis 14 mm
	Höherfester Bolzen	5 bis 10 mm
Leerlaufdrehzahl (U/min <sup>-1</sup> )		0 - 2.400
Schläge pro Minute		0 - 3.000
Gesamtlänge		155 mm
Nettogewicht		0,92 kg
Nennspannung		10,8 V Gleichspannung

- Aufgrund unserer weiterführenden Forschungen und Entwicklungen sind Änderungen an den hier angegebenen Technischen Daten ohne Vorankündigung vorbehalten.
- Die Technischen Daten können in einzelnen Ländern voneinander abweichen.
- Gewicht, mit Akkublock, ermittelt gemäß EPTA-Verfahren 01/2003

**Verwendungszweck** ENE033-1  
Das Werkzeug wurde für das Schrauben in Holz, Metall und Kunststoff entwickelt.

## Allgemeine Sicherheitshinweise für Elektrowerkzeuge

GEB010-1

**⚠ WARNUNG** Lesen Sie alle Sicherheitshinweise und Anweisungen sorgfältig durch. Wenn die Hinweise und Anweisungen nicht beachtet werden, besteht die Gefahr eines Stromschlags, Brands und/oder das Risiko von ernsthaften Verletzungen.

**Bewahren Sie alle Hinweise und Anweisungen zur späteren Referenz gut auf.**

## BESONDERE SICHERHEITSGESAMTREGELN

GEB012-3

Lassen Sie sich NIE durch Bequemlichkeit oder (aus fortwährendem Gebrauch gewonnener) Vertrautheit mit dem Gerät dazu verleiten, die Sicherheitsregeln für den Umgang mit diesem Werkzeug zu missachten. Wenn Sie dieses Werkzeug fahrlässig oder nicht ordnungsgemäß verwenden, können Sie sich schwer verletzen.

1. Halten Sie das Elektrowerkzeug an den isolierten Griffflächen, wenn Sie unter Bedingungen arbeiten, bei denen der Schrauber verborgene Verkabelung oder das eigene Kabel berühren kann. Bei Kontakt des Schraubers mit einem Strom führenden Kabel wird der Strom an die Metallteile des Elektrowerkzeugs und dadurch an den Bediener

weitergeleitet, und der Bediener erleidet einen Stromschlag.

2. **Achten Sie jederzeit auf Ihren sicheren und festen Stand.**  
Achten Sie bei Verwendung des Werkzeugs an erhöhten Standorten darauf, dass sich keine Personen unter dem Standort aufhalten.
3. **Halten Sie das Werkzeug mit festem Griff.**
4. **Tragen Sie Gehörschutz.**

## BEWAHREN SIE DIESE ANWEISUNGEN SORGFÄLTIG AUF.

**WARNUNG:**  
MISSBRAUCH der Werkzeugs oder Missachtung der in diesem Handbuch enthaltenen Sicherheitshinweise können zu schweren Personenschäden führen.

## WICHTIGE SICHERHEITSGESAMTREGELN

ENC007-4

## FÜR AKKUBLOCK

1. Lesen Sie vor der Verwendung des Akkublocks alle Anweisungen und Sicherheitshinweise für das Akkuladegerät (1), den Akku (2) und das Produkt (3), für das der Akku verwendet wird.
2. Der Akkublock darf nicht zerlegt werden.
3. Falls die Betriebsdauer erheblich kürzer wird, beenden Sie den Betrieb umgehend. Andernfalls besteht die Gefahr einer Überhitzung sowie das Risiko möglicher Verbrennungen und sogar einer Explosion.

4. Wenn Elektrolyt in Ihre Augen gerät, waschen Sie diese mit klarem Wasser aus und suchen Sie sofort einen Arzt auf. Andernfalls können Sie Ihr Augenlicht verlieren.
5. Vermeiden Sie einen Kurzschluss des Akkublocks:
  - (1) Die Kontakte dürfen nicht mit leitendem Material in Berührung kommen.
  - (2) Der Akkublock darf nicht in einem Behälter aufbewahrt werden, in dem sich andere metallische Gegenstände (beispielsweise Nägel, Münzen usw.) befinden.
  - (3) Der Akkublock darf weder Feuchtigkeit noch Regen ausgesetzt werden. Ein Kurzschluss des Akkus kann zu einem hohem Stromfluss, Überhitzung, möglichen Verbrennungen und sogar zu einer Zerstörung führen.
6. Werkzeug und Akkublock dürfen nicht an Orten aufbewahrt werden, an denen die Temperatur 50°C oder höher erreichen kann.
7. Selbst wenn der Akkublock schwer beschädigt oder völlig verbraucht ist, darf er nicht angezündet werden. Der Akkublock kann in den Flammen explodieren.
8. Lassen Sie den Akku nicht fallen und vermeiden Sie Schläge gegen den Akku.
9. Verwenden Sie keine heruntergefallenen oder gestoßenen Akkus.

## BEWAHREN SIE DIESE ANLEITUNG SORGFÄLTIG AUF.

### Tipps für den Erhalt der maximalen Akkublocknutzungsdauer

1. Laden Sie den Akkublock auf, bevor er ganz entladen ist. Sobald Sie eine verringerte Werkzeugleistung bemerken, beenden Sie stets den Betrieb des Werkzeugs und laden Sie den Akkublock auf.
2. Ein voll aufgeladener Akkublock darf niemals erneut geladen werden. Durch Überladungen wird die Lebensdauer des Akkus verkürzt.
3. Der Akkublock muss bei einer Zimmertemperatur zwischen 10°C und 40°C aufgeladen werden. Lassen Sie einen heißen Akkublock vor dem Aufladen abkühlen.

## FUNKTIONSBESCHREIBUNG

### ACHTUNG:

- Schalten Sie das Werkzeug stets aus und entfernen Sie den Akkublock, bevor Sie Einstellungen oder eine Funktionsprüfung des Werkzeugs vornehmen.

### Montage und Demontage des Akkublocks (Abb. 1)

- Schalten Sie das Werkzeug stets aus, bevor Sie den Akkublock einsetzen oder entfernen.
- Zum Entfernen des Akkublocks müssen Sie diesen aus dem Gerät herausziehen, während Sie die Tasten an beiden Seiten des Blocks drücken.

- Zum Einsetzen des Akkublocks setzen Sie den Akkublock mit der Vorderseite passgerecht auf die Öffnung des Akkufachs auf und schieben Sie den Akkublock in seine Position. Setzen Sie den Block immer ganz ein, bis er mit einem Klick einrastet. Andernfalls kann der Block versehentlich aus dem Werkzeug fallen und Sie oder Personen in der Nähe verletzen.
- Wenden Sie beim Einsetzen des Akkublocks keine Gewalt an. Wenn der Block nicht leicht hineingleitet, wird er nicht richtig eingesetzt.

### Bedienung des Schalters (Abb. 2)

#### ACHTUNG:

- Achten Sie vor dem Einsetzen des Akkublocks in das Werkzeug darauf, dass sich der Ein/Aus-Schalter korrekt bedienen lässt und beim Loslassen in die Position „OFF“ (AUS) zurückkehrt.

Betätigen Sie zum Starten des Werkzeugs einfach den Ein/Aus-Schalter. Die Drehzahl des Werkzeugs wird durch erhöhten Druck auf den Ein/Aus-Schalter gesteigert. Lassen Sie zum Ausschalten des Werkzeugs den Ein/Aus-Schalter los.

### Einschalten der Frontlampe (Abb. 3)

#### ACHTUNG:

- Schauen Sie nicht direkt in das Licht oder in die Lichtquelle.

Ziehen Sie zum Einschalten der Lampe den Ein/Aus-Schalter. Solange Sie den Ein/Aus-Schalter gezogen halten, leuchtet die Lampe. Nach dem Loslassen des Ein/Aus-Schalters erlischt die Lampe nach 10 bis 15 Sekunden.

#### HINWEIS:

- Wischen Sie Schmutz auf der Lampenlinse mit einem trockenen Tuch ab. Achten Sie darauf, die Lampenlinse nicht zu zerkratzen, da dies die Beleuchtungsstärke mindern kann.

### Bedienung des Umschalters (Abb. 4)

Dieses Werkzeug verfügt über einen Umschalter, mit dem die Drehrichtung geändert werden kann. Für eine Drehbewegung im Uhrzeigersinn muss der Umschalthebel von der Seite A nach unten gedrückt werden und für eine Drehbewegung gegen den Uhrzeigersinn von der Seite B. Wenn sich der Umschalthebel in der neutralen Position befindet, kann der Auslöser nicht gezogen werden.

#### ACHTUNG:

- Überprüfen Sie vor jedem Betrieb immer die Drehrichtung.
- Der Umschalter darf nur betätigt werden, wenn das Werkzeug ganz angehalten wurde. Wenn Sie die Drehrichtung ändern, solange das Werkzeug noch läuft, kann es beschädigt werden.
- Ist das Werkzeug nicht in Gebrauch, muss der Umschalthebel immer auf die neutrale Position gestellt werden.

# MONTAGE

## ACHTUNG:

- Schalten Sie das Werkzeug stets aus und entfernen Sie den Akkublock, bevor Sie Arbeiten am Werkzeug ausführen.

## Einsetzen oder Entfernen des Dreh- oder Steckensatzes (Abb. 5)

Verwenden Sie ausschließlich Einsätze mit einem in der Abbildung dargestellten Montagekopf.

### Für Europa, Nord- und Süd-Amerika, Australien und Neuseeland

A = 12 mm B = 9 mm	Verwenden Sie nur diese Art von Einsatz. Befolgen Sie die Vorgehensweise (1). (Hinweis) Einsatzteil ist nicht notwendig.
-----------------------	--

### Für andere Länder

A = 17 mm B = 14 mm	Zum Einsetzen dieser Art von Einsätzen befolgen Sie die Vorgehensweise (1). (Hinweis) Makita-Einsätze sind von dieser Art.
A = 12 mm B = 9 mm	Zum Einsetzen dieser Art von Einsätzen befolgen Sie die Vorgehensweise (2). (Hinweis) Einsatzteil ist zum Einsetzen des Einsatzes erforderlich.

1. Ziehen Sie den Kranz zum Einbauen des Einsatzes in Richtung des Pfeils und setzen Sie den Einsatz bis zum Anschlag in den Kranz ein. Lassen Sie den Kranz los, um den Einsatz zu sichern. **(Abb. 6)**
2. Ziehen Sie den Kranz zum Einbauen des Einsatzes in Richtung des Pfeils und setzen Sie das Einsatzteil und den Einsatz bis zum Anschlag in den Kranz ein. Das Einsatzteil muss in den Kranz mit der Spitze einwärts eingesetzt werden. Lassen Sie dann den Kranz zur Sicherung des Einsatzes los. **(Abb. 7)**

Ziehen Sie den Kranz zum Entfernen des Einsatzes in Pfeilrichtung, und ziehen Sie den Einsatz heraus.

## HINWEIS:

- Falls der Einsatz nicht tief genug in den Kranz eingesetzt wurde, kehrt der Kranz nicht in seine Ursprungsposition zurück und der Einsatz ist nicht gesichert. Setzen Sie in diesem Fall den Einsatz anhand den obigen Anweisungen erneut ein.

## BETRIEB (Abb. 8)

Das richtige Anzugsdrehmoment hängt von Art und Größe der Schraube bzw. des Bolzens und dem Material des zu befestigenden Werkstücks usw. ab. Das Verhältnis zwischen Anzugsdrehmoment und -zeit wird in den Abbildungen gezeigt. **(Abb. 9 und 10)**

Halten Sie das Werkzeug fest und setzen Sie die Spitze des Dreheinsatzes in den Schraubenkopf. Üben Sie so viel Vorwärtsdruck auf das Werkzeug aus, dass der Einsatz nicht von der Schraube rutscht, und schalten Sie das Werkzeug ein, um mit dem Betrieb zu beginnen.

## HINWEIS:

- Verwenden Sie den passenden Einsatz für den Schrauben-/Bolzenkopf, den Sie verwenden.

- Beim Anziehen von Schrauben der Größe M8 oder kleiner üben Sie vorsichtigen Druck auf den Auslöseschalter aus, um die Schraube nicht zu beschädigen.
- Halten Sie das Werkzeug direkt und gerade an die Schraube.
- Wenn Sie die Schraube länger als in den Abbildungen dargestellt anziehen, kann dies die Schraube oder die Spitze des Einsatzes überlasten, ausreißen, beschädigen usw. Führen Sie vor Beginn der Arbeiten immer einen Test durch, um das richtige Drehmoment für die Schraube zu bestimmen.

Das Anzugsmoment wird durch eine Vielzahl der im Folgenden aufgeführten Faktoren beeinflusst. Prüfen Sie nach dem Festziehen immer das Drehmoment mit einem Drehmomentschlüssel.

1. Wurde der Akkublock nahezu vollständig entladen, fällt die Spannung ab und das Anzugsmoment verringert sich.
2. Drehereinsatz oder Steckaufsätze  
Wird nicht die richtige Größe für den Drehereinsatz oder den Steckeraufsatz verwendet, wird das Anzugsmoment verringert.
3. Schraube
  - Auch wenn der Drehmomentkoeffizient und die Klasse für den Bolzen übereinstimmen, kann das Anzugsmoment in Abhängigkeit vom Durchmesser des Bolzens abweichen.
  - Auch wenn die Durchmesser der Bolzen gleich sind, kann das richtige Anzugsmoment in Abhängigkeit vom Drehmomentkoeffizienten, der Klasse und Länge des Bolzens abweichen.
4. Die Weise, wie das Werkzeug gehalten wird, und das Material an der zu schraubenden Position beeinflussen das Drehmoment.
5. Der Betrieb des Werkzeugs mit einer niedrigeren Drehzahl führt zu einer Verringerung des Anzugsmoments.

## Verwenden eines Halfters

### ACHTUNG:

- Stecken Sie das Werkzeug nie mit montiertem Werkzeugeinsatz ein das Halfter.
- Schalten Sie das Werkzeug aus und warten Sie bis zum vollständigen Stillstand, bevor Sie es in das Halfter stecken.  
Vergewissern Sie sich, dass das Halfter fest verschlossen ist, damit das Werkzeug sicher gehalten wird.

Ziehen Sie einen Gürtel o.ä. durch die Trageschleufe des Halfters.

Stecken Sie das Werkzeug in das Halfter und sichern Sie das Werkzeug, indem Sie die Halterung am Druckknopf schließen. **(Abb. 11 und 12)**

An der Vorderseite des Halfters können zwei Einsätze eingesteckt werden. **(Abb. 13)**

# WARTUNG

## ACHTUNG:

- Schalten Sie das Werkzeug stets aus und entfernen Sie den Akkublock, bevor Sie Inspektionen oder Wartungsarbeiten am Werkzeug vornehmen.

Um die SICHERHEIT und ZUVERLÄSSIGKEIT des Produkts zu gewährleisten, sollten Reparaturen, Wartungsarbeiten und Einstellungen nur durch von Makita autorisierte Servicecenter durchgeführt und immer Makita-Ersatzteile verwendet werden.

# ZUBEHÖR

## ACHTUNG:

- Für das in diesem Handbuch beschriebene Makita-Werkzeug werden die folgenden Zubehör- und Zusatzteile empfohlen. Die Verwendung anderer Zubehör- und Zusatzteile kann zu Personenschäden führen. Verwenden Sie Zubehör- und Zusatzteile nur für den vorgesehenen Zweck.

Informationen zu diesem Zubehör erhalten Sie bei einem Makita-Servicecenter in Ihrer Nähe.

- Schraubendrehereinsätze
- Steckeinsätze
- Einsatzteil
- Halfter
- Plastiktragekoffer
- Verschiedene Arten von Makita-Originalakkus und -Ladegeräten

## Nur für europäische Länder

### Schallpegel

ENG102-2

Typischer A-bewerteter Schallpegel nach EN60745:

Schalldruckpegel ( $L_{pA}$ ): 92 dB (A)

Schalleistungspegel ( $L_{WA}$ ): 103 dB (A)

Abweichung (K): 3 dB (A)

### Tragen Sie Gehörschutz.

### Schwingung

ENG205-1

Schwingungsgesamtwerte (Vektorsumme dreier Achsen) nach EN60745-2-2:

Arbeitsmodus: Schlagschrauben von Befestigungsmitteln mit der maximalen Leistung des Werkzeugs

Schwingungsbelastung ( $a_h$ ): 10 m/s<sup>2</sup>

Abweichung (K): 1,5 m/s<sup>2</sup>

ENG901-1

- Der hier angegebene Wert für die erzeugten Schwingungen wurde gemäß dem genormten Testverfahren ermittelt und kann als Vergleich zu anderen Werkzeugen herangezogen werden.
- Der angegebene Wert für die erzeugten Schwingungen ist außerdem für eine vorbeugende Bewertung der Belastung zu verwenden.

## WARNUNG:

- Die Schwingungsbelastung kann bei tatsächlichem Gebrauch des Elektrowerkzeugs in Abhängigkeit von der Handhabung des Elektrowerkzeugs von dem hier aufgeführten Wert abweichen.
- Stellen Sie sicher, dass Schutzmaßnahmen für den Bediener getroffen werden, die auf den unter den

tatsächlichen Arbeitsbedingungen zu erwartenden Belastungen beruhen (beziehen Sie alle Bestandteile des Arbeitsablaufs ein, also zusätzlich zu den Arbeitszeiten auch Zeiten, in denen das Werkzeug ausgeschaltet ist oder ohne Last läuft).

## EU-Konformitätserklärung

ENH101-12

**Wir, Makita Corporation als verantwortlicher Hersteller, erklären, dass die folgenden Geräte der Marke Makita:**

Bezeichnung des Geräts: Akku-Schlagschrauber

Nummer / Typ des Modells: TD090D

in Serienfertigung hergestellt werden und

**den folgenden Richtlinien der Europäischen Union genügen:**

98/37/EC bis 28. Dezember 2009 und 2006/42/EC ab dem 29. Dezember 2009

Außerdem werden die Geräte gemäß den folgenden Standards oder Normen gefertigt:

EN60745

Die technische Dokumentation erfolgt durch unseren Bevollmächtigten in Europa:

Makita International Europe Ltd.,  
Michigan, Drive, Tongwell,  
Milton Keynes, MK15 8JD, England

30. Januar 2009



Tomoyasu Kato  
Direktor

Makita Corporation  
3-11-8, Sumiyoshi-cho,  
Anjo, Aichi, JAPAN

## ITALIANO (Istruzioni originali)

### Spiegazione della vista generale

- |                                       |                           |                                  |
|---------------------------------------|---------------------------|----------------------------------|
| 1. Pulsante                           | 6. Punta                  | 11. Tempo di serraggio           |
| 2. Batteria                           | 7. Manicotto              | 12. Coppia di serraggio corretta |
| 3. Interruttore                       | 8. Componente della punta | 13. Bullone altamente tensile    |
| 4. Lampada                            | 9. Bullone standard       |                                  |
| 5. Leva di inversione della rotazione | 10. Coppia di serraggio   |                                  |

## CARATTERISTICHE TECNICHE

Modello		TD090D
Capacità	Vite per metallo	4 mm - 8 mm
	Bullone standard	5 mm - 14 mm
	Bullone altamente tensile	5 mm - 10 mm
Velocità a vuoto (min <sup>-1</sup> )		0 - 2.400
Impulsi al minuto		0 - 3.000
Lunghezza totale		155 mm
Peso netto		0,92 kg
Tensione nominale		10,8 V CC

- Le caratteristiche tecniche riportate di seguito sono soggette a modifiche senza preavviso in virtù del nostro programma continuo di ricerca e sviluppo.
- Le caratteristiche tecniche possono differire da paese a paese.
- Peso, comprensivo di batterie, calcolato in base alla Procedura EPTA 01/2003

### Uso previsto

ENE033-1

Questo utensile è progettato per l'avvitatura di viti in legno, metallo e plastica.

## Avvertenze generali di sicurezza per l'uso dell'utensile

GEA010-1

**⚠ AVVERTENZA** Leggere attentamente tutte le avvertenze di sicurezza e le istruzioni. La mancata osservanza delle istruzioni e delle avvertenze riportate di seguito potrebbe provocare scosse elettriche, incendi e/o lesioni gravi.

## Conservare le avvertenze e le istruzioni per riferimenti futuri.

## REGOLE SPECIFICHE DI SICUREZZA

GEB012-3

**NON** lasciare che la familiarità acquisita con il prodotto in seguito all'uso ripetuto sia causa di inosservanza delle regole di sicurezza dell'avvitatore a massa battente. Se questo utensile viene utilizzato in modo improprio o errato, è possibile subire lesioni personali gravi.

1. Se vengono eseguite operazioni in cui il dispositivo di fissaggio può toccare fili nascosti o il cavo di alimentazione dell'utensile, impugnare l'utensile utilizzando i punti di presa isolati. Se il dispositivo di fissaggio entra a contatto con un filo percorso da corrente, le parti metalliche esposte dell'utensile si troveranno anch'esse sotto tensione e potrebbero provocare scosse elettriche all'operatore.

### 2. Accertarsi sempre di avere un equilibrio stabile.

**Controllare che nessuno si trovi sotto all'utensile quando lo si utilizza in posizioni elevate.**

3. Tenere l'utensile in modo saldo.
4. Indossare protezioni acustiche.

## CONSERVARE QUESTE ISTRUZIONI.

### AVVERTENZA:

**L'USO IMPROPRIO o la mancata osservanza delle norme di sicurezza contenute in questo manuale può provocare lesioni personali gravi.**

## ISTRUZIONI IMPORTANTI PER LA SICUREZZA

ENC007-4

## PER LA BATTERIA

1. Prima di utilizzare la batteria, leggere tutte le istruzioni e gli avvisi di sicurezza relativi a (1) caricabatteria, (2) batteria e (3) prodotto utilizzato con la batteria.
2. Non smontare la batteria.
3. Se il tempo di funzionamento è diventato eccessivamente breve, non utilizzare l'utensile. Potrebbero verificarsi surriscaldamenti, ustioni o esplosioni.
4. In caso di contatto dell'elettrolita della batteria con gli occhi, sciacquare con acqua fresca e rivolgersi immediatamente a un medico. Potrebbero verificarsi danni permanenti alla funzionalità visiva.
5. Non cortocircuitare la batteria.

- (1) Non toccare i terminali della batteria con materiale in grado di condurre elettricità.
  - (2) Evitare di riporre le batterie a contatto con oggetti metallici quali chiodi, monete e così via.
  - (3) Non esporre le batterie all'acqua o alla pioggia. Un cortocircuito può provocare un elevato flusso di corrente, surriscaldamento, ustioni o rotture.
6. Non conservare l'utensile e la batteria a una temperatura superiore a 50°C.
  7. Evitare di smaltire le batterie danneggiate o esaurite bruciandole. Se esposte al fuoco, le batterie possono esplodere.
  8. Evitare di far cadere o di colpire la batteria.
  9. Non utilizzare la batteria se è caduta o ha urtato contro altri oggetti.

## CONSERVARE QUESTE ISTRUZIONI.

### Suggerimenti il prolungamento della durata della batteria

1. Caricare le batterie prima di scaricarle completamente.  
Se si nota una diminuzione di potenza dell'utensile, interrompere il lavoro e ricaricare la batteria.
2. Non ricaricare una batteria già completamente carica.  
In caso contrario, la durata operativa della batteria potrebbe ridursi.
3. Caricare la batteria in ambienti con una temperatura compresa tra 10°C e 40°C. Prima di caricare una batteria surriscaldata, lasciarla raffreddare.

## DESCRIZIONE FUNZIONALE

### ATTENZIONE:

- Accertarsi sempre che l'utensile sia spento e che la batteria sia stata rimossa prima di regolare o controllare le funzioni dell'utensile.

### Installazione o rimozione della batteria (Fig. 1)

- Prima di inserire o rimuovere la batteria, spegnere sempre l'utensile.
- Per rimuovere la batteria, estrarla dall'utensile facendo scorrere il pulsante sulla parte frontale della batteria.
- Per inserire la batteria, tenerla in modo tale che la sua forma anteriore si adatti a quella dell'apertura per l'installazione della batteria e scivoli in posizione. Inserire sempre la batteria fino a quando si blocca in posizione con uno scatto. In caso contrario la batteria può fuoriuscire accidentalmente e provocare lesioni all'operatore o a chi si trova nello spazio vicino.
- Non applicare una forza eccessiva per inserire la batteria. Se la batteria non scorre agevolmente, la manovra di inserimento non è corretta.

### Azionamento dell'interruttore (Fig. 2)

#### ATTENZIONE:

- Prima di inserire la batteria nell'utensile, controllare se l'interruttore funziona correttamente e ritorna alla posizione "SPENTO" una volta rilasciato.
- Per accendere l'utensile è sufficiente premere l'interruttore. Per aumentare la velocità dell'utensile, aumentare la pressione sull'interruttore. Per spegnere l'utensile, rilasciare l'interruttore.

### Accensione delle lampada frontale (Fig. 3)

#### ATTENZIONE:

- Non osservare direttamente la luce o la fonte luminosa.
- Per accendere la lampadina, azionare l'interruttore. La lampadina rimane accesa fino a quando si tiene premuto l'interruttore. La lampada si spegne automaticamente 10-15 secondi dopo aver rilasciato l'interruttore.

#### NOTA:

- Utilizzare un panno asciutto per pulire la lente della lampadina.  
Fare attenzione a non graffiare la lente della lampadina per evitare riduzioni dell'intensità luminosa.

### Azionamento della leva di inversione della rotazione (Fig. 4)

Questo utensile è dotato di una leva di inversione che consente di modificare la direzione di rotazione. Premere la leva di inversione dal lato A se si desidera una rotazione in senso orario, dal lato B se si desidera una rotazione in senso antiorario.  
Quando la leva di inversione si trova nella posizione centrale è impossibile azionare l'interruttore.

#### ATTENZIONE:

- Prima di azionare l'utensile, controllare sempre la direzione di rotazione impostata.
- Utilizzare la leva di inversione solo quando l'utensile è completamente fermo. Modificare la direzione di rotazione prima dell'arresto può danneggiare l'utensile.
- Se non si utilizza l'utensile, posizionare sempre la leva di inversione nella posizione centrale.

## MONTAGGIO

### ATTENZIONE:

- Prima di eseguire qualsiasi operazione sull'utensile, verificare sempre di averlo spento e di aver rimosso la batteria.

### Installazione o rimozione della punta per avvitatore o della punta a tubo (Fig. 5)

Utilizzare solo punte che abbiano la parte di inserimento della lunghezza mostrata in figura.

**Per i paesi europei, dell'America del nord e del sud, dell'Australia e della Nuova Zelanda**

A=12 mm	Usare solo questi tipi di punte. Seguire la procedura (1). (Nota) Il componente della punta non è necessario.
B=9 mm	

## Per altri paesi

A=17 mm B=14 mm	Per installare questi tipi di punte, seguire la procedura (1). (Nota) Le punte Makita sono di questi tipi.
A=12 mm B=9 mm	Per installare questi tipi di punte, seguire la procedura (2). (Nota) Il componente della punta è necessario per l'installazione della punta.

1. Per installare la punta, tirare il manicotto nella direzione della freccia e inserire completamente la punta nel manicotto. Quindi rilasciare il manicotto per fissare la punta. (Fig. 6)
2. Per installare la punta, tirare il manicotto nella direzione della freccia e inserire completamente il componente della punta e la punta nel manicotto. Il componente della punta deve essere inserito nel manicotto con l'estremità appuntita rivolta verso l'interno. Rilasciare il manicotto per fissare la punta. (Fig. 7)

Per rimuovere la punta, tirare il manicotto in direzione della freccia, quindi estrarre la punta.

### NOTA:

- Se la punta non viene inserita nel manicotto a una profondità sufficiente, il manicotto non tornerà nella posizione iniziale e la punta non verrà fissata. In tal caso, provare a reinserire la punta seguendo le istruzioni riportate sopra.

## FUNZIONAMENTO (Fig. 8)

La coppia di serraggio corretta potrebbe differire in base al tipo o alla dimensione della vite/del bullone, al materiale del pezzo di lavorazione da fissare, ecc. La relazione tra coppia di serraggio e tempo di serraggio è illustrata nelle figure. (Fig. 9 e 10)

Tenere saldamente l'utensile e inserire l'estremità della punta dell'avvitatore nella testa della vite. Applicare ulteriore pressione sull'utensile in modo che la punta non tolga la vite e accendere l'utensile per iniziare ad utilizzarlo.

### NOTA:

- Utilizzare la punta corretta per la testa della vite/bullone che si desidera utilizzare.
- Durante il serraggio di viti M8 o più piccole, regolare attentamente la pressione sull'interruttore di accensione, in modo tale che la vite non venga danneggiata.
- Tenere l'utensile puntato dritto verso la vite.
- Se la vite viene serrata per un tempo superiore a quello mostrato nelle immagini, la vite o la punta dell'avvitatore potrebbero essere sovraccaricate, spanate, danneggiate, ecc. Prima di iniziare il lavoro, eseguire sempre una prova per determinare il tempo corretto di serraggio della vite.

La coppia di serraggio è influenzata da vari fattori, tra cui quelli indicati di seguito. Dopo il serraggio, controllare sempre la coppia con una chiave torsionometrica.

1. Quando la batteria è quasi completamente scarica, la tensione scende e la coppia di serraggio si riduce.

2. Punta dell'avvitatore o punta a tubo  
Il non utilizzo della punta a tubo o della punta dell'avvitatore di dimensioni corrette provocherà una riduzione nella coppia di serraggio.
3. Bullone
  - Anche se il coefficiente di coppia e la classe del bullone sono uguali, la coppia di serraggio corretta differisce secondo il diametro del bullone.
  - Anche se i diametri dei bulloni sono uguali, la coppia di serraggio corretta differisce secondo il coefficiente di coppia, la classe e la lunghezza del bullone.
4. La coppia è influenzata anche dal modo in cui si tiene l'utensile, dalla posizione di avvitatura o dal materiale da fissare.
5. L'uso dell'utensile a bassa velocità causa una riduzione della coppia di serraggio.

## Uso della fondina

### ATTENZIONE:

- Non utilizzare con utensili come ad esempio trapani con la punta inserita.
- Spegner l'utensile e attendere che si fermi completamente prima di riportarlo nella fondina. Accertarsi di chiudere bene la fondina in modo che tenga saldamente l'utensile.

Far passare una cintura o simili attraverso il supporto della fondina.

Inserire l'utensile nella fondina e bloccarlo con il relativo pulsante. (Fig. 11 e 12)

È possibile tenere due punte di riserva nella parte anteriore della fondina. (Fig. 13)

## MANUTENZIONE

### ATTENZIONE:

- Prima di effettuare controlli o operazioni di manutenzione, verificare sempre di aver spento l'utensile e di aver rimosso la batteria.

Per mantenere la SICUREZZA e l'AFFIDABILITÀ del prodotto, le riparazioni e qualsiasi altra operazione di manutenzione o regolazione devono essere eseguiti dai centri di assistenza autorizzati Makita utilizzando sempre parti di ricambio Makita.

## ACCESSORI

### ATTENZIONE:

- Si raccomanda di usare questi accessori per l'utensile Makita descritto in questo manuale. L'uso di qualsiasi altro accessorio potrebbe provocare lesioni personali. Utilizzare gli accessori esclusivamente per l'uso dichiarato.

Per l'assistenza e ulteriori informazioni su tali accessori, rivolgersi al centro di assistenza Makita più vicino.

- Punte per viti
- Punte a tubo
- Componente della punta
- Fondina

- Valigetta di trasporto in plastica
- Diversi modelli di batterie e caricabatteria originali Makita

La documentazione tecnica viene conservata dal rappresentante autorizzato Makita in Europa, ovvero:

Makita International Europe Ltd.,  
Michigan, Drive, Tongwell,  
Milton Keynes, MK15 8JD, Inghilterra

### Solo per i paesi europei

**Rumore** ENG102-2

Il tipico livello di rumore ponderato "A" è determinato in conformità con la norma EN60745:

Livello di pressione sonora ( $L_{pA}$ ): 92 dB (A)

Livello di potenza sonora ( $L_{WA}$ ): 103 dB (A)

Variazione (K): 3 dB (A)

### Indossare una protezione acustica.

**Vibrazione** ENG205-1

Il valore totale della vibrazione (somma vettoriale triassiale) è determinato in conformità con la norma EN60745-2-2:

Modalità di lavoro: serraggio ad impulsi di chiodi della capacità massima dell'utensile

Emissione delle vibrazioni ( $a_{r1}$ ): 10 m/s<sup>2</sup>

Variazione (K): 1,5 m/s<sup>2</sup>

ENG901-1

- Il valore di emissione delle vibrazioni dichiarato è stato misurato in conformità con il metodo di test standard e può essere utilizzato per confrontare tra loro diversi utensili.
- Il valore dell'emissione delle vibrazioni dichiarato può anche essere usato per stime preliminari dell'esposizione.

### AVVERTENZA:

- L'emissione delle vibrazioni durante l'uso effettivo dell'utensile elettrico può risultare diversa rispetto al valore dichiarato, in base alla modalità d'uso dell'utensile.
- Assicurarsi di individuare le necessarie misure di sicurezza per proteggere l'operatore in base a una stima dell'esposizione nelle condizioni reali di utilizzo (prendendo in considerazione tutte le fasi del ciclo operativo, come quante volte l'utensile viene spento e i periodi in cui rimane inattivo, oltre al tempo di avviamento).

**Dichiarazione di conformità CE** ENH101-12

**Makita Corporation, in qualità di produttore responsabile, dichiara che gli utensili Makita indicati di seguito:**

Denominazione dell'utensile: Avvitatore a massa battente a batteria

N. modello /Tipo: TD090D

appartengono a una produzione in serie e

**sono conformi alle seguenti direttive europee:**

98/37/CE fino al 28 dicembre 2009 e  
successivamente alla direttiva 2006/42/CE a partire dal 29 dicembre 2009

e sono inoltre prodotti in conformità con gli standard o i documenti standardizzati riportati di seguito:

EN60745

30 gennaio 2009



Tomoyasu Kato  
Direttore

Makita Corporation  
3-11-8, Sumiyoshi-cho,  
Anjo, Aichi, JAPAN

## NEDERLANDS (Originele instructies)

### Verklaring van algemene gegevens

- |                       |                  |                                |
|-----------------------|------------------|--------------------------------|
| 1. Knop               | 6. Bit           | 11. Draaitijd                  |
| 2. Accu               | 7. Bus           | 12. Juiste draaikoppel         |
| 3. Aan/uit-schakelaar | 8. Bit-adaptor   | 13. Bout met grote treksterkte |
| 4. Lamp               | 9. Standaardbout |                                |
| 5. Omkeerschakelaar   | 10. Draaikoppel  |                                |

## TECHNISCHE GEGEVENS


Model		TD090D
Vermogen	Machineschroef	4 mm t/m 8 mm
	Standaardbout	5 mm t/m 14 mm
	Bout met grote treksterkte	5 mm t/m 10 mm
Nullasttoerental (min <sup>-1</sup> )		0 - 2.400
Slagen per minuut		0 - 3.000
Totale lengte		155 mm
Netto gewicht		0,92 kg
Nominale spanning		10,8 V gelijkstroom

- Als gevolg van ons doorlopende onderzoeks- en ontwikkelingsprogramma, zijn de technische gegevens van dit gereedschap onderhevig aan veranderingen zonder voorafgaande kennisgeving.
- De technische gegevens kunnen van land tot land verschillen.
- Gewicht, inclusief de accu, volgens de EPTA-procedure 01/2003

### Gebruiksdoelinden ENE033-1

Het gereedschap is bedoeld voor schroeven in hout, metaal en kunststof.

## Algemene veiligheids waarschuwingen voor elektrisch gereedschap GEA010-1

 **WAARSCHUWING** Lees alle veiligheids waarschuwingen en alle instructies. Het niet volgen van de waarschuwingen en instructies kan leiden tot elektrische schokken, brand en/of ernstig letsel.

## Bewaar alle waarschuwingen en instructies om in de toekomst te kunnen raadplegen.

## SPECIFIEKE VEILIGHEIDSVORSCHRIFTEN GEB012-3

Laat u NIET misleiden door een vals gevoel van comfort en bekendheid met het gereedschap (na veelvuldig gebruik) en neem alle veiligheidsvoorschriften van de slagschroevendraaier altijd strikt in acht. Bij onveilig of verkeerd gebruik van het gereedschap, bestaat de kans op ernstig persoonlijk letsel.

1. Houd elektrisch gereedschap vast bij het geïsoleerde oppervlak van de handgrepen wanneer u werkt op plaatsen waar het bevestigingsmateriaal in aanraking kan komen met verborgen bedrading of zijn eigen netkabel. Wanneer bevestigingsmaterialen in aanraking komen

met onder spanning staande draden, zullen de niet-geïsoleerde metalen delen van het gereedschap onder spanning komen te staan zodat de gebruiker een elektrische schok kan krijgen.

2. **Zorg er altijd voor dat u stevig staat.** Zorg ervoor dat er niemand zich onder u bevindt wanneer u het gereedschap op een hoge plaats gebruikt.
3. **Houd het gereedschap stevig vast.**
4. **Draag gehoorbescherming.**

## BEWAAR DEZE INSTRUCTIES

**WAARSCHUWING:** VERKEERD GEBRUIK of het niet volgen van de veiligheidsinstructies in deze gebruiksaanwijzing kan leiden tot ernstig persoonlijk letsel.

## BELANGRIJKE VEILIGHEIDSVORSCHRIFTEN ENC007-4

### VOOR ACCU'S

1. Alvorens de accu in gebruik te nemen, leest u eerst alle instructies en waarschuwingsopschriften op (1) de acculader, (2) de accu en (3) het apparaat waarin de accu wordt aangebracht.
2. Haal de accu niet uit elkaar.
3. Als de gebruikstijd aanzienlijk korter is geworden, stopt u onmiddellijk met het gebruik. Anders kan dit leiden tot kans op oververhitting, mogelijke brandwonden en zelfs een explosie.
4. Als de elektrolyt in uw ogen komt, wast u deze uit met schoon water en raadpleegt u onmiddellijk

een arts. Dit kan leiden tot verlies van gezichtsvermogen.

5. **Sluit de accu niet kort:**

- (1) Raak de accupolen niet aan met enig geleidend materiaal.
- (2) Bewaar de accu niet op een plaats waar deze in aanraking kan komen met andere metalen voorwerpen, zoals spijkers, munten, enz.
- (3) Stel de accu niet bloot aan water of regen. Kortsluiting van de accu kan leiden tot een hoge stroomsterkte, oververhitting, mogelijke brandwonden en zelfs een defect.

6. **Berg het gereedschap en de accu niet op plaatsen op waar de temperatuur kan oplopen tot 50 °C of hoger.**

7. **Werp de accu niet in een vuur, zelfs niet als deze al ernstig beschadigd of helemaal versleten is. De accu kan in een vuur exploderen.**
8. **Wees voorzichtig dat u de accu niet laat vallen of ergens tegenaan stoot.**
9. **Gebruik een accu die is gevallen of gestoten niet meer.**

## BEWAAR DEZE INSTRUCTIES

### Tips voor een lange levensduur van de accu

1. **Laad de accu op voordat deze volledig leeg is. Wanneer u merkt dat het gereedschap minder vermogen heeft, stopt u met het gebruik ervan en laadt u eerst de accu op.**
2. **Laad nooit een volledig opgeladen accu op. Te lang opladen verkort de levensduur van de accu.**
3. **Laad de accu op bij een omgevingstemperatuur van 10 °C t/m 40 °C. Laat een warme accu eerst afkoelen voordat u deze oplaadt.**

## BESCHRIJVING VAN DE FUNCTIES

### LET OP:

- Zorg ervoor dat het gereedschap is uitgeschakeld en dat de accu is verwijderd voordat u de werking van het gereedschap aanpast of controleert.

### De accu aanbrengen en verwijderen (zie afb. 1)

- Schakel het gereedschap altijd uit voordat u de accu aanbrengt of verwijderd.
- Om de accu te verwijderen, drukt u de knoppen aan beide zijanten van de accu in en trekt u tegelijkertijd de accu van het gereedschap af.
- Om de accu aan te brengen, houdt u de accu zodanig vast dat de vorm aan de voorkant van de accu past in de accuplaatsingsopening van het apparaat, en schuift u de accu op zijn plaats. Steek de accu zo ver mogelijk in het gereedschap tot u een klikgeluid hoort. Als u dit niet doet, kan de accu per ongeluk uit het gereedschap vallen en u of anderen in uw omgeving verwonden.
- Oefen geen grote kracht uit bij het aanbrengen van de accu. Als de accu niet gemakkelijk in het gereedschap

kan worden gestoken, wordt deze niet goed aangebracht.

### Aan/uit-schakelaar (zie afb. 2)

#### LET OP:

- Controleer altijd, voordat u de accu in het gereedschap steekt, of de aan/uit-schakelaar op de juiste manier schakelt en weer terugkeert naar de uit-stand nadat deze is losgelaten.

Om het gereedschap in te schakelen, knijpt u gewoon de aan/uit-schakelaar in. De draaisnelheid van het gereedschap neemt toe naarmate u meer druk uitoefent op de aan/uit-schakelaar. Laat de aan/uit-schakelaar los om het gereedschap te stoppen

### De lamp op de voorkant inschakelen (zie afb. 3)

#### LET OP:

- Kijk niet rechtstreeks in het licht of naar de bron van de lamp.

Knijp de aan/uit-schakelaar in om de lamp op de voorkant in te schakelen. De lamp blijft branden zolang u de aan/uit-schakelaar ingeknepen houdt. De lamp gaat 10 tot 15 seconden nadat u de aan/uit-schakelaar hebt losgelaten uit.

#### OPMERKING:

- Gebruik een doek om het vuil van de lens van de lamp te vegen. Wees voorzichtig de lens van de lamp niet te bekrassen om de lichtopbrengst niet te verlagen.

### Werking van de omkeerschakelaar (zie afb. 4)

Dit gereedschap is uitgerust met een omkeerschakelaar waarmee u de draairichting kunt omkeren. Druk op de omkeerschakelaar vanaf kant A voor de draairichting rechtsom, of vanaf kant B voor de draairichting linksom. Wanneer de omkeerschakelaar in de middenstand staat, kunt u de aan/uit-schakelaar niet inknijpen.

#### LET OP:

- Controleer altijd de draairichting alvorens het gereedschap te gebruiken.
- Gebruik de omkeerschakelaar alleen nadat het gereedschap volledig tot stilstand is gekomen. Als u de draairichting verandert voordat het gereedschap volledig stilstaat, kan het gereedschap worden beschadigd.
- Als u het gereedschap niet gebruikt, zet u de omkeerschakelaar altijd in de middenstand.

## ONDERDELEN AANBRENGEN/ VERWIJDEREN

#### LET OP:

- Controleer altijd of het gereedschap is uitgeschakeld en de accu is verwijderd alvorens enige werkzaamheden aan het gereedschap te verrichten.

## De schroefbit of dopsleutelbit aanbrengen en verwijderen (zie afb. 5)

Gebruik uitsluitend bits met een insteekgedeelte zoals aangegeven in de afbeelding.

### Voor Europese landen, Noord- en Zuid-Amerikaanse landen, Australië en Nieuw-Zeeland

A = 12 mm B = 9 mm	Gebruik uitsluitend dit type bits. Volg procedure (1). (Opmerking) De bit-adaptor is niet nodig.
-----------------------	---

### Voor andere landen

A = 17 mm B = 14 mm	Om deze typen bits te plaatsen, volgt u procedure (1). (Opmerking) Makita-bits zijn van dit type.
A = 12 mm B = 9 mm	Om deze typen bits te plaatsen, volgt u procedure (2). (Opmerking) De bit-adaptor is nodig om het bit te plaatsen.

1. Om de bit te plaatsen, trekt u de bus in de richting van de pijl en steekt u de bit zo ver mogelijk in de bus. Laat daarna de bus los om de bit te vergrendelen (zie afb. 6).
2. Om de bit te plaatsen, trekt u de bus in de richting van de pijl en steekt u de bit-adaptor en de bit zo ver mogelijk in de bus. De bit-adaptor moet met het puntige uiteinde eerst in de bus worden gestoken. Laat daarna de bus los om de bit te vergrendelen (zie afb. 7).

Om de bit te verwijderen, trekt u de bus in de richting van de pijl en trekt u de bit met kracht eruit.

### OPMERKING:

- Als de bit niet diep genoeg in de bus is gestoken, zal de bus niet terugkeren naar de oorspronkelijke positie en zal de bit niet vastzitten. In dat geval probeert u de bit opnieuw in de bus te steken volgens bovenstaande aanwijzingen.

## BEDIENING (zie afb. 8)

Het juiste draaikoppel kan verschillen afhankelijk van het soort en de grootte van de schroef/bout, het materiaal van het werkstuk waarin wordt gedraaid, enz. De relatie tussen het draaikoppel en de draaitijd wordt aangegeven in de afbeeldingen (zie afb. 9 en 10).

Houd het gereedschap stevig vast en plaats de punt van de schroefbit in de schroefkop. Oefen voldoende voorwaartse druk uit op het gereedschap zodat de bit niet van de schroef af glijdt, en schakel het gereedschap in om te beginnen met schroeven.

### OPMERKING:

- Gebruik de juiste bit voor de schroef-/boutkop die u wilt gebruiken.
- Als u een schroefmaat M8 of kleiner vastdraait, oefent u voorzichtig kracht uit op de aan/uit-schakelaar zodat de schroefkop niet wordt beschadigd.
- Houd het gereedschap recht op de schroef.
- Als u de schroef langer vastdraait dan aangegeven in de afbeeldingen, kan de schroef of de punt van de schroefbit worden overbelast, gestript, beschadigd,

enz. Voordat u de werkzaamheden begint, voert u altijd een testbediening uit om de juiste draaitijd voor de schroef te bepalen.

Het draaikoppel wordt beïnvloed door een groot aantal factoren, waaronder de onderstaande. Controleer na het bevestigen altijd het draaikoppel met een momentsleutel.

1. Wanneer de accu bijna helemaal leeg is, zal de spanning afnemen en het draaikoppel lager worden.
2. Schroefbit of dopbit  
Als niet de juiste maat schroefbit of dopbit wordt gebruikt, zal het draaikoppel lager worden.
3. Bout
  - Ondanks dat de koppelcoëfficiënt en de boutklasse hetzelfde zijn, zal het juiste draaikoppel verschillen afhankelijk van de diameter van de bout.
  - Ondanks dat de diameter van de bouten hetzelfde is, zal het juiste draaikoppel verschillen afhankelijk van de koppelcoëfficiënt, de boutklasse en de boutlengte.
4. De manier waarop het gereedschap wordt vastgehouden en het materiaal van de plaats waarin wordt geschroefd zijn van invloed op het draaikoppel.
5. Als het gereedschap op een laag toerental wordt gebruikt, zal het draaikoppel lager worden.

## Gebruik van de holster

### LET OP:

- Gebruik de holster niet voor gereedschappen, zoals een (schroef-)boormachine, waarin een bit of boortje is aangebracht.
- Voordat u het gereedschap in de holster steekt, schakelt u het gereedschap uit en wacht u tot het volledig tot stilstand is gekomen. Zorg ervoor dat u hierna de holster goed sluit zodat het gereedschap stevig vastgehouden wordt.

Rijg uw broekriem of iets dergelijks door de houder van de holster.

Steek het gereedschap in de holster en sluit deze met de holstersluiting (zie afb. 11 en 12).

Op de voorkant van de holster is plaats voor twee bits (zie afb. 13).

## ONDERHOUD

### LET OP:

- Zorg er altijd voor dat de machine is uitgeschakeld en de accu is verwijderd, voordat u een inspectie of onderhoud uitvoert.

Om de VEILIGHEID en BETROUWBAARHEID van het gereedschap te handhaven, dienen alle reparaties, onderhoud en afstellingen te worden uitgevoerd door een erkend Makita-servicecentrum, en altijd met gebruikmaking van originele Makita-ervangingsonderdelen.

## ACCESSOIRES

### LET OP:

- Deze accessoires of hulpstukken worden aanbevolen voor gebruik met het Makita-gereedschap dat in deze

gebruiksaanwijzing wordt beschreven. Het gebruik van andere accessoires of hulpstukken kan gevaar voor persoonlijk letsel opleveren. Gebruik de accessoires of hulpstukken uitsluitend voor de aangegeven gebruiksdoeleinden.

Mocht u meer informatie willen hebben over deze accessoires, dan kunt u contact opnemen met uw plaatselijke Makita-servicecentrum.

- Schroefbits
- Dopsleutelbits
- Bit-adapter
- Holster
- Kunststoffen draagdoos
- Diverse types originele Makita-accu's en acculaders

## Alleen voor Europese landen

**Geluid** ENG102-2  
De typische, A-gewogen geluidsniveaus zijn gemeten volgens EN60745:

- Geluidsdruk niveau ( $L_{pA}$ ): 92 dB (A)
- Geluidsvermogen niveau ( $L_{WA}$ ): 103 dB (A)
- Onzekerheid (K): 3 dB (A)

### Draag gehoorbescherming.

**Trilling** ENG205-1  
De totale trillingswaarde (triaxiale vectorsom) zoals vastgesteld volgens EN60745-2-2:

- Gebruikstoepassing: bevestigen met behulp van slagwerking van bevestigingsmiddelen tot de maximale capaciteit van het gereedschap
- Trillingsemmissie ( $a_h$ ): 10 m/s<sup>2</sup>
- Onzekerheid (K): 1,5 m/s<sup>2</sup>

ENG901-1

- De opgegeven trillingsemmissiewaarde is gemeten volgens de standaardtestmethode en kan worden gebruikt om dit gereedschap te vergelijken met andere gereedschappen.
- De opgegeven trillingsemmissiewaarde kan ook worden gebruikt voor een beoordeling vooraf van de blootstelling.

## WAARSCHUWING:

- De trillingsemmissie tijdens het gebruik van het elektrisch gereedschap in de praktijk kan verschillen van de opgegeven trillingsemmissiewaarde afhankelijk van de manier waarop het gereedschap wordt gebruikt.
- Zorg ervoor dat veiligheidsmaatregelen worden getroffen ter bescherming van de operator die zijn gebaseerd op een schatting van de blootstelling onder praktijkomstandigheden (rekening houdend met alle fasen van de bedrijfscyclus, zoals de tijdsduur gedurende welke het gereedschap is uitgeschakeld en stationair draait, naast de ingeschakelde tijdsduur).

**EU-verklaring van conformiteit** ENH101-12  
**Wij, Makita Corporation, als de verantwoordelijke fabrikant, verklaren dat de volgende Makita-machine(s):**

Aanduiding van de machine: Accuslagschroevendraaier  
Modelnr./Type: TD090D  
in serie is geproduceerd en

**Voldoet aan de volgende Europese richtlijnen:**

98/37/EC tot en met 28 december 2009 en daarna  
aan 2006/42/EC vanaf 29 december 2009

En is gefabriceerd in overeenstemming met de volgende normen of genormaliseerde documenten:

EN60745

De technische documentatie wordt bewaard door onze erkende vertegenwoordiger in Europa, te weten:

Makita International Europe Ltd.,  
Michigan Drive, Tongwell,  
Milton Keynes, MK15 8JD, Engeland

30 januari 2009



Tomoyasu Kato  
Directeur  
Makita Corporation  
3-11-8, Sumiyoshi-cho,  
Anjo, Aichi, JAPAN

# ESPAÑOL (Instrucciones originales)

## Descripción y visión general

- |   |                       |                           |
|---|-----------------------|---------------------------|
| 1. Botón                                | 6. Broca              | 12. Par de apriete real   |
| 2. Cartucho de la batería               | 7. Camisa             | 13. Perno de alta tensión |
| 3. Interruptor disparador               | 8. Pieza de punta     |                           |
| 4. Lámpara                              | 9. Perno estándar     |                           |
| 5. Palanca del interruptor de inversión | 10. Par de apriete    |                           |
|   | 11. Tiempo de apriete |                           |

## ESPECIFICACIONES

Modelo		TD090D
Capacidades	Tornillo para máquinas	4 mm - 8 mm
	Perno estándar	5 mm - 14 mm
	Perno de alta tensión	5 mm - 10 mm
Velocidad en vacío (mín <sup>-1</sup> )		0 - 2.400
Impactos por minuto		0 - 3.000
Longitud total		155 mm
Peso neto		0,92 kg
Tensión nominal		CC de 10,8 V

- Debido a nuestro programa continuo de investigación y desarrollo, las especificaciones aquí descritas están sujetas a cambios sin previo aviso.
- Las especificaciones pueden ser diferentes de un país a otro.
- Peso, con el cartucho de la batería, de acuerdo con el procedimiento EPTA 01/2003

### Uso previsto

Esta herramienta está diseñada para atornillar en madera, metal y plástico.

ENE033-1

eléctrica se carguen también de corriente y que el operario reciba una descarga.

2. **Colóquese siempre en una posición bien equilibrada.**

Si utiliza la herramienta en una ubicación elevada, asegúrese de que nadie se encuentre debajo.

3. **Sujete con fuerza la herramienta.**
4. **Utilice protectores para los oídos.**

## Advertencias de seguridad generales para herramientas eléctricas

GEA010-1

**⚠ ADVERTENCIA** Lea todas las advertencias de seguridad y todas las instrucciones. La no observancia de las advertencias y las instrucciones puede provocar descargas eléctricas, incendios y/o lesiones graves.

## Guarde todas las advertencias e instrucciones para futuras consultas.

## NORMAS DE SEGURIDAD ESPECÍFICAS

GEB012-3

NO deje que la comodidad o la familiaridad con el producto (a base de utilizarlo repetidamente) sustituyan la estricta observancia de las normas de seguridad para el atornillador de impacto. Si utiliza esta herramienta de forma no segura o incorrecta, puede sufrir graves daños corporales.

1. **Sujete la herramienta eléctrica por las superficies de agarre aisladas al realizar una operación en que el atornillador pueda entrar en contacto con cables ocultos o con su propio cable.** Si entra en contacto con un cable con corriente, puede que las piezas metálicas expuestas de la herramienta

## GUARDE ESTAS INSTRUCCIONES.

### ADVERTENCIA:

el MAL USO o la no observancia de las normas de seguridad expuestas en este manual de instrucciones pueden ocasionar graves daños corporales.

## INSTRUCCIONES DE SEGURIDAD IMPORTANTES

ENC007-4

## PARA EL CARTUCHO DE LA BATERÍA

1. **Antes de utilizar el cartucho de la batería, lea todas las instrucciones y referencias de precaución que se encuentran en (1) el cargador de baterías, (2) la batería y (3) el producto que utiliza la batería.**
2. **No desmonte el cartucho de la batería.**
3. **Si el tiempo de funcionamiento es excesivamente corto, deje de utilizar la herramienta de inmediato. De lo contrario, existe el riesgo de sobrecalentamiento, quemaduras e incluso explosión.**

4. **Si se produce contacto ocular con electrolito, enjuáguese los ojos con agua limpia y acuda de urgencia al médico. Corre el riesgo de perder la visión.**
5. **No cortocircuite el cartucho de la batería:**
  - (1) **No toque los terminales con material conductor.**
  - (2) **Evite guardar el cartucho de la batería en un recipiente con otros objetos metálicos, como clavos, monedas, etc.**
  - (3) **No exponga el cartucho de la batería al agua o a la lluvia.**  
Un cortocircuito puede provocar un elevado flujo de corriente, sobrecalentamiento, quemaduras o incluso una avería.
6. **No almacene la herramienta ni el cartucho de la batería en lugares donde la temperatura supere los 50°C (122°F).**
7. **No queme el cartucho de la batería aunque esté gravemente dañado o completamente gastado. El cartucho de la batería puede explotar si entra en contacto con fuego.**
8. **Procure que la batería no sufra golpes ni caídas.**
9. **No utilice baterías que hayan caído o que se hayan golpeado.**

## GUARDE ESTAS INSTRUCCIONES.

### Consejos para conseguir una mayor duración de la batería

1. **Cargue la batería antes de que se descargue por completo.**  
Cuando observe que la herramienta tiene menos potencia, deje de utilizarla y cargue el cartucho de la batería.
2. **No recargue nunca un cartucho de batería completamente cargado.**  
La sobrecarga acorta la vida útil de la batería.
3. **Cargue el cartucho de la batería a una temperatura ambiente que oscile entre 10°C - 40°C (50°F - 104°F). Antes de cargar un cartucho de batería caliente, deje que se enfríe.**

## DESCRIPCIÓN DEL FUNCIONAMIENTO

### PRECAUCIÓN:

- Antes de ajustar o de comprobar la herramienta, asegúrese siempre de que está apagada y de que la batería ha sido extraída.

### Instalación o extracción del cartucho de la batería (Fig. 1)

- Apague siempre la herramienta antes de insertar o extraer el cartucho de la batería.
- Para extraer el cartucho de la batería, quítelo de la herramienta al mismo tiempo que pulsa los botones situados a ambos lados del cartucho.
- Para insertar el cartucho de la batería, sujételo de manera que la forma de la parte frontal del cartucho de la batería encaje en la forma de la abertura de instalación de la batería y deslicela hasta que encaje

en su lugar.

Insértela completamente hasta que quede firmemente sujeta y se bloquee con un clic. De lo contrario, el cartucho puede desprenderse accidentalmente de la herramienta y causar lesiones al operario o a alguna persona que se encuentre cerca.

- No haga fuerza al insertar el cartucho de la batería. Si no se inserta suavemente, significa que no lo está instalando correctamente.

### Funcionamiento del interruptor (Fig. 2)

#### PRECAUCIÓN:

- Antes de insertar el cartucho de la batería en la herramienta, asegúrese siempre de que el interruptor disparador funciona como es debido y que vuelve a la posición "OFF" (apagado) al soltarlo.

Para poner en marcha la herramienta, simplemente accione el interruptor disparador. La velocidad de la herramienta aumenta al incrementar la presión sobre el interruptor disparador. Suelte el interruptor disparador para detener la herramienta.

### Encendido de la luz frontal (Fig. 3)

#### PRECAUCIÓN:

- No mire hacia la luz ni mire directamente hacia la fuente de luz.

Tire del interruptor disparador para encender la luz. La luz permanece encendida mientras se acciona el interruptor disparador. La luz se apaga entre 10 y 15 segundos después de soltar el disparador.

#### NOTA:

- Utilice un paño seco para limpiar la suciedad del cristal de la lámpara.  
Procure no rayar el cristal de la lámpara, puesto que puede disminuir el grado de iluminación.

### Funcionamiento del interruptor de inversión (Fig. 4)

Esta herramienta está provista de un interruptor de inversión para cambiar la dirección de giro. Apriete la palanca del interruptor de inversión por el lado A para obtener un giro a la derecha o por el lado B para girar a la izquierda.

Cuando la palanca del interruptor de inversión está en la posición neutral, el interruptor disparador no se puede accionar.

#### PRECAUCIÓN:

- Antes de trabajar, compruebe siempre la dirección del giro.
- Utilice el interruptor de inversión sólo cuando la herramienta se haya detenido por completo, ya que, de lo contrario, la herramienta podría averiarse.
- Cuando no utilice la herramienta, coloque siempre la palanca del interruptor de inversión en la posición neutral.

## MONTAJE

#### PRECAUCIÓN:

- Asegúrese siempre de apagar la herramienta y extraer el cartucho de la batería antes de intentar realizar cualquier tipo de operación en la herramienta.

## Instalación o extracción de la punta del destornillador o de la broca de vaso (Fig. 5)

Utilice sólo brocas que tengan la parte de inserción mostrada en la figura.

**Para países de Europa, Norteamérica, Sudamérica, Australia y Nueva Zelanda**

A=12 mm B=9 mm	Utilice sólo este tipo de broca. Siga el procedimiento (1). (Nota) La pieza de punta no es necesaria.
-------------------	--

**Para otros países**

A=17 mm B=14 mm	Para instalar estos tipos de brocas, siga el procedimiento (1). (Nota) Las brocas de Makita son de estos tipos.
A=12 mm B=9 mm	Para instalar estos tipos de brocas, siga el procedimiento (2). (Nota) La pieza de punta es necesaria para instalar la broca.

1. Para instalar la punta, tire de la camisa en la dirección de la flecha e inserte la punta en la camisa lo máximo posible. A continuación suelte la camisa para fijar la punta. (Fig. 6)
2. Para instalar la punta, tire de la camisa en la dirección de la flecha e inserte la pieza de punta y la broca en la camisa lo máximo posible. La pieza de punta debería insertarse en la camisa con su extremo acabado en punta hacia dentro. A continuación, suelte la camisa para fijar la punta. (Fig. 7)

Para extraer la punta, tire de la camisa en la dirección de la flecha y tire firmemente de la punta.

### NOTA:

- Si la punta no se ha insertado suficientemente en la camisa, la camisa no volverá a su posición original y la punta no estará fijada. En ese caso, intente volver a insertar la punta de acuerdo con las instrucciones anteriores.

## MANEJO (Fig. 8)

El par de apriete real puede variar dependiendo del tipo o tamaño del tornillo/perno, del material de la pieza de trabajo que se debe apretar, etc. La relación entre el par de apriete y el tiempo de apriete se muestra en las figuras. (Fig. 9 y 10)

Sujete firmemente la herramienta y coloque la punta del destornillador en la cabeza del tornillo. Aplique una presión hacia adelante sobre la herramienta de forma que la punta no resbale del tornillo y encienda la herramienta para iniciar la operación.

### NOTA:

- Utilice la punta adecuada para la cabeza del tornillo/perno que desea usar.
- Cuando apriete un tornillo M8 o de un tamaño inferior, ajuste con cuidado la presión sobre el interruptor del disparador para que no se dañe el tornillo.
- Sujete la herramienta apuntando recta hacia el tornillo.

- Si aprieta el tornillo durante un período de tiempo superior al que se muestra en las figuras, el tornillo o la punta del destornillador pueden someterse a una presión excesiva, mellarse, dañarse, etc. Antes de iniciar el trabajo, siempre debe realizar una operación de prueba para determinar el tiempo de apriete adecuado para su tornillo.

El par de apriete se ve afectado por una amplia variedad de factores, incluyendo los siguientes. Tras el apriete, compruebe siempre el par de apriete con una llave dinamométrica.

1. Cuando el cartucho de la batería esté descargado casi completamente, la tensión caerá y el par de apriete se reducirá.
2. Punta de atornillado o punta de vaso  
Si no se utiliza la punta de atornillado o la punta de vaso del tamaño correcto se provocará una reducción del par de apriete.
3. Perno
  - Aunque el coeficiente del par de apriete y la clase del perno sean los mismos, el par de apriete real diferirá dependiendo del diámetro del perno.
  - Aunque los diámetros de los pernos sean los mismos, el par de apriete real diferirá dependiendo del coeficiente de apriete, de la clase de perno y de la longitud del perno.
4. La forma de sujetar la herramienta o la posición del material que se va a apretar afectará al par de torsión.
5. El uso de la herramienta a baja velocidad causará una reducción del par de apriete.

## Utilización de la pistolera

### PRECAUCIÓN:

- No la utilice para herramientas como taladros cuando haya una broca instalada.
- Apague la herramienta y espere hasta que se detenga por completo antes de colocarla en la pistolera. Asegúrese de cerrar la pistolera firmemente de forma que sujete firmemente la herramienta.

Haga pasar un cinturón o un elemento similar a través del soporte de la pistolera.

Ponga la herramienta en la pistolera y bloquéela con el botón de la pistolera. (Fig. 11 y 12)

Se puede guardar dos puntas en la parte anterior de la pistolera. (Fig. 13)

## MANTENIMIENTO

### PRECAUCIÓN:

- Asegúrese de apagar siempre la herramienta y extraer el cartucho de la batería antes de intentar realizar cualquier trabajo de inspección o mantenimiento en ella.

Para conservar la SEGURIDAD y la FIABILIDAD del producto, los trabajos de reparación y otros trabajos de mantenimiento y ajuste deberán ser realizados en centros de servicio autorizados de Makita, utilizando siempre repuestos Makita.

# ACCESORIOS

## PRECAUCIÓN:

- Se recomienda el uso de estos accesorios o complementos con la herramienta Makita especificada en este manual. El uso de otros accesorios o complementos puede conllevar el riesgo de ocasionar daños corporales. Utilice los accesorios o complementos solamente para su fin establecido.

Si necesita cualquier ayuda para obtener más información relativa a estos accesorios, pregunte al centro de servicio Makita local.

- Puntas de destornillador
- Brocas de zócalo
- Pieza de punta
- Pistolera
- Maletín de plástico para el transporte
- Diversos tipos de baterías y cargadores originales de Makita

## Sólo para los países europeos

### Ruido ENG102-2

Niveles típicos de ruido ponderado A determinados conforme a EN60745:

Nivel de presión de sonido ( $L_{pA}$ ): 92 dB (A)

Nivel de potencia de sonido ( $L_{WA}$ ): 103 dB (A)

Incertidumbre (K): 3 dB (A)

### Utilice protección para los oídos.

### Vibración ENG205-1

Valor total de la vibración (suma de vectores triaxiales) determinada según el estándar EN60745-2-2:

Modo de trabajo: apriete de impacto de tornillos

de la máxima capacidad de la herramienta

Emisión de vibraciones ( $a_h$ ): 10 m/s<sup>2</sup>

Incertidumbre (K): 1,5 m/s<sup>2</sup>

ENG901-1

- El valor de emisión de vibraciones se ha medido de acuerdo con el método de prueba estándar y se puede utilizar para comparar herramientas.
- El valor de emisión de vibraciones declarado también se puede usar en una evaluación preliminar de la exposición.

### ADVERTENCIA:

- La emisión de vibraciones durante el uso de la herramienta eléctrica puede diferir del valor de emisiones declarado, dependiendo de las formas en que se utiliza la herramienta.
- Asegúrese de identificar las mediciones correctas para proteger al operario, que se basan en una estimación de la exposición en condiciones de uso reales (teniendo en cuenta todas las partes del ciclo de operaciones, como los momentos en los que la herramienta está apagada y cuando funciona al ralentí además del tiempo en que está activado el interruptor).

### Declaración de conformidad de la CE ENH101-12

**Nosotros, Makita Corporation, en calidad de fabricante responsable, declaramos que las siguientes máquinas Makita:**

Designación de la máquina: Atornillador de impacto a batería

Nº de modelo/ Tipo: TD090D

son de producción serie y

### Cumplen con las siguientes Directivas europeas:

98/37/EC hasta el 28 de diciembre de 2009 y después con 2006/42/EC desde el 29 de diciembre de 2009

Y se fabrican de acuerdo con los siguientes estándares o documentos estandarizados:

EN60745

La documentación técnica la conserva nuestro representante autorizado en Europa, que es:

Makita International Europe Ltd.,  
Michigan, Drive, Tongwell,  
Milton Keynes, MK15 8JD, Inglaterra

30 de enero de 2009



Tomoyasu Kato  
Director

Makita Corporation  
3-11-8, Sumiyoshi-cho,  
Anjo, Aichi, JAPAN

# PORTUGUÊS (Instruções de origem)

## Descrição geral

- |                                   |                     |                                 |
|-----------------------------------|---------------------|---------------------------------|
| 1. Botão                          | 6. Broca            | 11. Tempo de aperto             |
| 2. Bateria                        | 7. Manga            | 12. Força de aperto adequada    |
| 3. Gatilho                        | 8. Monta-brocas     | 13. Parafuso de elevada tracção |
| 4. Lâmpada                        | 9. Parafuso padrão  |                                 |
| 5. Manípulo de mudança de rotação | 10. Força de aperto |                                 |

## ESPECIFICAÇÕES

Modelo	TD090D	
Capacidades	Parafuso da máquina	4 mm - 8 mm
	Parafuso padrão	5 mm - 14 mm
	Parafuso de elevada tracção	5 mm - 10 mm
Sem velocidade de rotação em carga (mín. <sup>-1</sup> )	0 - 2.400	
Impactos por minuto	0 - 3.000	
Comprimento total	155 mm	
Peso líquido	0,92 kg	
Voltagem nominal	CC 10,8 V	

- Devido à pesquisa e desenvolvimento constantes, estas especificações estão sujeitas a alteração sem aviso prévio.
- Estas especificações podem diferir de país para país.
- Peso, com a bateria, de acordo com o procedimento EPTA de 01/2003.

**Utilização prevista** ENE033-1  
A ferramenta destina-se a aparafusar em madeira, metal e plástico.

## Avisos gerais de segurança para ferramentas eléctricas

GEA010-1

**⚠ AVISO** Leia todos os avisos de segurança e todas as instruções. O não cumprimento dos avisos e instruções pode resultar na ocorrência de choques eléctricos, incêndios e/ou ferimentos graves.

**Guarde todos os avisos e instruções para referência futura.**

## REGRAS DE SEGURANÇA ESPECÍFICAS

GEB012-3

**NÃO** deixe que o progressivo à-vontade com o produto (resultante de uma utilização frequente) o faça esquecer o estrito cumprimento das regras de segurança para a utilização do berbequim de impacto. Se utilizar a ferramenta incorrectamente ou não respeitar as regras de segurança, poderá ferir-se gravemente.

1. Quando executar operações em que a máquina de aperto possa entrar em contacto com fios eléctricos ocultos ou com próprio cabo eléctrico da ferramenta, tenha o cuidado de tocar apenas nas superfícies isoladas da máquina. As máquinas de aperto que entrem em contacto com um fio eléctrico ligado à corrente podem expor as partes metálicas e causar um choque.
2. Procure uma posição em pé estável e firme. Se utilizar a ferramenta em locais altos, verifique se não há ninguém por baixo.

3. **Segure bem na ferramenta.**
4. **Use protecção para os ouvidos.**

## GUARDE ESTAS INSTRUÇÕES.

**AVISO:**

A UTILIZAÇÃO INCORRECTA ou o não cumprimento das regras de segurança fornecidas neste manual de instruções podem provocar ferimentos graves.

## INSTRUÇÕES DE SEGURANÇA IMPORTANTES

ENC007-4

### RELATIVAS À BATERIA

1. Antes de utilizar a bateria, leia as instruções e chamadas de atenção de: (1) o carregador da bateria, (2) a bateria e (3) o produto que utiliza a bateria.
2. Não desmonte a bateria.
3. Se o tempo de utilização com a bateria se tornar demasiado curto, deve parar imediatamente. Se continuar, pode causar sobreaquecimento, incêndio e mesmo explosão.
4. Se o electrólito entrar em contacto com os olhos, enxágue-os com água limpa e consulte imediatamente um médico. Os riscos incluem perda de visão.
5. Não provoque um curto-circuito na bateria:
  - (1) Não deixe que quaisquer materiais condutores entrem em contacto com os terminais da bateria.
  - (2) Evite guardar a bateria juntamente com outros objectos de metal como moedas, por exemplo.
  - (3) Não exponha a bateria a água ou chuva. Um curto-circuito na bateria pode criar uma

grande carga eléctrica, sobreaquecimento, incêndio e um corte de corrente.

6. Não guarde a ferramenta e a bateria em locais onde a temperatura possa atingir ou exceder 50°C.
7. Não incinere a bateria, nem mesmo se esta estiver irremediavelmente danificada ou completamente gasta. Pode explodir e causar um incêndio.
8. Não a deixe cair e evite o choque com outros objectos.
9. Não utilizar uma bateria após quedas ou batidas.

## GUARDE ESTAS INSTRUÇÕES.

### Sugestões para o máximo de tempo de vida da bateria

1. Não espere que a bateria se gaste completamente para voltar a carregá-la. Pare a ferramenta e carregue a bateria sempre que detectar um baixo nível de energia.
2. Nunca volte a carregar uma bateria já completamente carregada. O carregamento excessivo diminui o tempo de vida das baterias.
3. Carregue a bateria a uma temperatura ambiente de 10°C - 40°C. Se a bateria estiver quente, deixe-a arrefecer antes de iniciar o carregamento.

## DESCRIÇÃO DO FUNCIONAMENTO

### PRECAUÇÃO:

- Certifique-se sempre de que a ferramenta está desligada e a bateria foi removida antes de proceder a ajustamentos ou testar acessórios.

### Inserir ou retirar a bateria (Fig. 1)

- Sempre que for inserir ou remover a bateria, desligue a ferramenta.
- Para retirar a bateria, puxe-a para fora ao mesmo tempo que prime os botões em ambos os lados do cartucho.
- Para introduzir a bateria, segure-a de maneira a que a forma dianteira da bateria encaixe na abertura do orifício da bateria. Insira-a completamente até sentir um clique de encaixe. Caso contrário, pode cair da ferramenta e causar ferimentos em si, ou em alguém que esteja perto de si.
- Não exerça força ao inserir a bateria. Se não encaixar facilmente é porque não está correctamente posicionada.

### O gatilho/interruptor (Fig. 2)

#### PRECAUÇÃO:

- Antes de inserir a pilha na ferramenta, verifique se o gatilho está a funcionar correctamente e se regressa à posição "OFF" quando o solta.

Para colocar a ferramenta em funcionamento prima o gatilho. A velocidade da ferramenta aumenta com a pressão exercida no gatilho. Para parar a ferramenta, solte o gatilho.

### Ligar a luz dianteira (Fig. 3)

#### PRECAUÇÃO:

- Não olhe directamente para a luz da ferramenta. Para a acender, prima o gatilho. A lâmpada manter-se-á acesa enquanto o gatilho for premido. 10 a 15 segundos depois de o gatilho ser solto, a luz apaga-se.

#### NOTA:

- Para limpar a lâmpada, utilize um tecido seco. Tenha cuidado para não riscar a lente da lâmpada, pois poderia diminuir a intensidade da iluminação.

### Inverter a direcção da rotação (Fig. 4)

Esta ferramenta tem um interruptor que permite inverter a direcção da rotação. Rode o interruptor a partir da posição A no sentido dos ponteiros do relógio, ou a partir da posição B no sentido contrário ao dos ponteiros do relógio.

Se o interruptor estiver na posição neutra, o gatilho não poderá ser premido.

#### PRECAUÇÃO:

- Verifique sempre a direcção da rotação antes da operação.
- Este interruptor deve ser utilizado apenas quando a ferramenta estiver completamente parada. Se alterar a direcção da rotação antes da ferramenta ter parado pode avariá-la.
- Quando a ferramenta não estiver a funcionar coloque o interruptor na posição neutra.

## MONTAGEM

### PRECAUÇÃO:

- Certifique-se sempre de que a ferramenta está desligada e a bateria removida, antes de efectuar qualquer operação com acessórios.

### Instalar ou retirar brocas ou brocas-chave (Fig. 5)

Utilize apenas brocas com uma parte de inserção mostrada na figura.

#### Para os países da Europa e América do Sul e do Norte, Austrália e Nova Zelândia

A=12 mm B=9 mm	Utilize apenas estes tipos de broca. Siga o procedimento (1). (Nota) Não é necessário um monta-brocas.
-------------------	---

#### Para outros países

A=17 mm B=14 mm	Para instalar estes tipos de broca, siga o procedimento (1). (Nota) As brocas Makita são deste tipo.
A=12 mm B=9 mm	Para instalar estes tipos de broca, siga o procedimento (2). (Nota) É necessário um monta-brocas para instalar a broca.

1. Para instalar a ponta, puxe a manga na direcção da seta e insira a ponta na manga o máximo possível. De seguida, solte a manga para fixar a ponta. (Fig. 6)
2. Para instalar a ponta, puxe a manga na direcção da seta e insira o monta-brocas e a broca na manga o máximo possível. O monta-brocas deve ser inserido

na manga com a extremidade pontiaguda virada para dentro. De seguida, solte a manga para fixar a broca. (Fig. 7)

Para remover a broca, puxe a manga na direcção da seta e puxe a broca para fora com firmeza.

#### NOTA:

- Se a ponta não estiver suficientemente inserida na manga, esta não volta à posição original e a ponta não fica segura. Neste caso, tente inserir novamente a ponta de acordo com as instruções acima.

## FUNCIONAMENTO (Fig. 8)

A força de aperto adequada pode diferir consoante o tipo e o tamanho do parafuso, o material da peça que vai apertar, etc. A relação entre a força de aperto e o tempo de aperto é mostrada nas figuras. (Fig. 9 e 10)

Segure na ferramenta com firmeza e coloque a ponta de aparafusamento na cabeça do parafuso. Pressione a ferramenta para a frente, até que a ponta não escorregue do parafuso, e ligue a ferramenta para iniciar o trabalho.

#### NOTA:

- Use a ponta adequada para a cabeça do parafuso que pretende usar.
- Quando apertar um parafuso M8 ou mais pequeno, pressione com cuidado o gatilho, para que o parafuso não fique danificado.
- Segure a ferramenta apontada directamente ao parafuso.
- Se apertar o parafuso durante um período mais longo do que o ilustrado, o parafuso ou a ponta de aparafusamento poderá ficar com fadiga, desgaste, danos, etc. Antes de iniciar o trabalho, realize sempre uma operação de teste, para determinar o tempo de aperto correcto para o parafuso que pretende utilizar.

A força de aperto é afectada por vários factores, incluindo os seguintes. Após apertar, verifique a força de aperto com uma chave dinamométrica.

1. Quando a bateria estiver quase descarregada por completo, a tensão diminuirá e a força de aperto será reduzida.
2. Ponta de aparafusamento ou encaixe da ponta  
Se não usar uma ponta de aparafusamento ou encaixe de ponta de tamanho correcto, a força de aperto será diminuída.
3. Parafuso
  - Apesar do coeficiente da força e a classe do parafuso serem iguais, a força de aperto adequada difere de acordo com o diâmetro do parafuso.
  - Apesar dos diâmetros dos parafusos serem iguais, a força de aperto adequada difere de acordo com o coeficiente da força, da classe do parafuso e do seu comprimento.
4. A forma de segurar a ferramenta ou o material a ser apertado afectam a força de aperto.
5. Trabalhar com a ferramenta a baixa velocidade provoca uma redução na força de aperto.

## Utilizar o coldre

#### PRECAUÇÃO:

- Não utilize para ferramentas tais como uma perfuradora com uma broca instalada.
- Desligue uma ferramenta e aguarde até que pare totalmente, antes de a colocar no coldre. Certifique-se de que fecha totalmente o coldre, para que prenda a ferramenta com firmeza.

Passa um cinto ou semelhante através do suporte de coldre.

Coloque a ferramenta no coldre e fixe-a com o botão de coldre. (Fig. 11 e 12)

Podem ser colocadas duas brocas na parte dianteira do coldre. (Fig. 13)

## MANUTENÇÃO

#### PRECAUÇÃO:

- Certifique-se sempre de que a ferramenta está desligada e a bateria removida antes de efectuar operações de inspecção ou de manutenção.

Para manter os níveis de SEGURANÇA e FIABILIDADE definidos para este produto, reparações, operações de manutenção ou ajustes devem ser executados por centros de assistência Makita autorizados e, no caso de substituição de peças, estas devem ser igualmente Makita.

## ACESSÓRIOS

#### PRECAUÇÃO:

- Os seguintes acessórios ou extensões são os recomendados para utilizar com a ferramenta Makita especificada neste manual. A utilização de outros acessórios ou extensões podem provocar ferimentos. Utilize cada acessório ou extensão apenas para o fim indicado.

Se precisar de informações adicionais relativas aos acessórios, contacte o centro local de assistência Makita.

- Brocas de aparafusamento
- Brocas-chave
- Monta-brocas
- Coldre
- Mala de transporte de plástico
- Vários tipos de baterias e carregadores Makita genuínos.

### Apenas para os países europeus

#### Ruído

ENG102-2

Os níveis acústicos ponderados A típicos foram determinados segundo a EN60745:

Nível de pressão sonora ( $L_{pA}$ ): 92 dB (A)

Nível de potência sonora ( $L_{WA}$ ): 103 dB (A)

Imprecisão (K): 3 dB (A)

#### Use protecção para os ouvidos.

#### Vibração

ENG205-1

O valor total da vibração (soma triaxial de vectores) foi determinado segundo a EN60745-2-2:

Modo de trabalho: aperto por impacto de fechos da capacidade máxima da ferramenta

Emissão de vibração ( $a_h$ ): 10 m/s<sup>2</sup>  
Imprecisão (K): 1,5 m/s<sup>2</sup>

ENG901-1

- O valor da emissão de vibração declarado foi medido de acordo com o método de teste padrão e pode ser utilizado para comparar uma ferramenta com outra.
- O valor da emissão de vibração declarado pode também ser utilizado numa avaliação preliminar de exposição.

**⚠ AVISO:**

- A emissão de vibração durante a utilização real da ferramenta eléctrica pode ser diferente do valor de emissão declarado, dependendo da forma como a ferramenta é utilizada.
- Certifique-se de que identifica medidas de segurança, para proteger o operador, que são baseadas numa estimativa de exposição nas condições reais de utilização (tendo em conta todas as partes do ciclo de funcionamento, como as vezes que a ferramenta é desligada e quando está a trabalhar ao ralenti, além do tempo de utilização).

**Declaração de conformidade EC** ENH101-12

**A Makita Corporation, na qualidade do fabricante responsável, declara que a(s) máquina(s) Makita seguinte(s):**

Designação da máquina: Berbequim de impacto sem fios  
N.º de modelo/Tipo: TD090D  
são produzidas em série e

**estão em conformidade com as Directivas Europeias seguintes:**

98/37/EC até 28 de Dezembro de 2009 e, de seguida, com a 2006/42/EC a partir de 29 de Dezembro de 2009

E são fabricadas de acordo com os documentos de normas ou normalizados seguintes:

EN60745

A documentação técnica é mantida pelo nosso representante autorizado na Europa, que é:

Makita International Europe Ltd.,  
Michigan, Drive, Tongwell,  
Milton Keynes, MK15 8JD, Inglaterra

30 de Janeiro de 2009



Tomoyasu Kato  
Director  
Makita Corporation  
3-11-8, Sumiyoshi-cho,  
Anjo, Aichi, JAPAN

## DANSK (Originalvejledning)

### Forklaring til generel oversigt

- |                         |                      |                              |
|-------------------------|----------------------|------------------------------|
| 1. Knap                 | 6. Bit               | 11. Stramningstid            |
| 2. Batteripakke         | 7. Muffe             | 12. Korrekt strammingsmoment |
| 3. Kontaktgreb          | 8. Bitstykke         | 13. Bolt med stor trækstyrke |
| 4. Lampe                | 9. Standardbolt      |                              |
| 5. Skiftekontakthåndtag | 10. Strammingsmoment |                              |

## SPECIFIKATIONER

Model		TD090D
Kapaciteter	Maskinskruer	4 mm - 8 mm
	Standardbolt	5 mm - 14 mm
	Bolt med stor trækstyrke	5 mm - 10 mm
Hastighed uden belastning ( $\text{min}^{-1}$ )		0 - 2,400
Slag pr. minut		0 - 3,000
Længde i alt		155 mm
Nettovægt		0,92 kg
Nominel spænding		10,8 V DC

- På grund af vores løbende forsknings- og udviklingsprogram kan specifikationerne heri ændres uden forudgående varsel.
- Specifikationerne kan variere fra land til land.
- Vægt, inklusive batteripakken, i henhold til EPTA-Procedure 01/2003

### Tilsigtet brug

ENE033-1

Værktøjet er beregnet til at skruer skruer i træ, metal og plastik.

## Generelle sikkerhedsadvarsler for maskiner

GEA010-1

**⚠ ADVARSEL** Læs alle sikkerhedsadvarsler og alle instruktioner. Hvis De ikke følger alle advarsler og instruktioner, kan det medføre elektrisk stød, brand og/eller alvorlig personskade.

## Gem alle advarsler og instruktioner til senere reference.

## SPECIFIKKE SIKKERHEDSREGLER

GEB012-3

LAD IKKE tryghed eller kendskab til produktet (fra gentagen brug) føre til, at du ikke strengt overholder sikkerhedsreglerne for skruetrækkeren. Hvis værktøjet anvendes på usikker eller forkert vis, kan du komme alvorligt til skade.

1. Hold maskinen i de isolerede grebflader, når du udfører et arbejde, hvor befæstelselementet kan komme i kontakt med skjulte ledninger eller værktøjets egen ledning. Hvis befæstelselementer kommer i kontakt med en strømførende ledning, kan udsatte metaldele på maskinen blive strømførende, hvorved operatøren muligvis kan få elektrisk stød.
2. Sørg altid for at have et solidt fodfæste. Sørg for, at der ikke er nogen under dig, når du benytter værktøjet på højtliggende steder.
3. Hold godt fast i værktøjet.

### 4. Bær høreværn.

## GEM DISSE INSTRUKTIONER.

### ADVARSEL:

MISBRUG eller manglende overholdelse af sikkerhedsreglerne i denne brugsanvisning kan medføre alvorlig personskade.

## VIGTIGE SIKKERHEDSINSTRUKTIONER

ENC007-4

## FOR BATTERIPAKKEN

1. Før brugen af batteripakken skal du læse alle instruktioner og advarsler på (1) batteriopladeren, (2) batteriet og (3) det produkt, som batteriet anvendes i.
2. Skil ikke batteripakken ad.
3. Hvis driftstiden bliver betydeligt kortere, skal du straks ophøre med brugen. Brug kan medføre risiko for overophedning, risiko for forbrændinger eller endog eksplosion.
4. Hvis du får elektrolyt i øjnene, skal du med det samme rense øjnene med rent vand og søge læge. Dette kan medføre tab af synet.
5. Kortslut ikke batteripakken:
  - (1) Undgå at berøre terminalerne med ledende materiale.
  - (2) Undgå at opbevare batteripakken i en beholder med andre metalgenstande som f.eks. søm, mønter osv.
  - (3) Udsæt ikke batteripakken for vand eller regn. Hvis batteriet kortsluttes, kan det medføre

voldsom strøm, overophedning, mulige forbrændinger og endog nedbrud.

6. Undgå at opbevare værktøjet og batteripakken på steder, hvor temperaturen kan komme op på eller overstige 50°C (122°F).
7. Sæt ikke ild til batteripakken, selvom den er alvorligt beskadiget eller helt udtjent. Batteripakken kan eksplodere ved brand.
8. Undgå at tabe eller slå på batteriet.
9. Brug ikke et batteri, der har været tabt eller udsat for stød.

## GEM DISSE INSTRUKTIONER.

### Tips til, hvordan du forlænger batteriets levetid

1. Oplad batteripakken, før den bliver helt afladet. Ophør med at bruge værktøjet, og udskift batteripakken, hvis strømmen til værktøjet aftager.
2. Oplad aldrig en fuldt opladet batteripakke. Overopladning forkorter batteriets levetid.
3. Oplad batteripakken ved stuetemperatur på 10°C - 40°C (50°F - 104°F). Lad batteripakken køle af, før den oplades, hvis den er varm.

## FUNKTIONSBESKRIVELSE

### FORSIGTIG:

- Sørg altid for, at værktøjet er slukket, og at batteripakken er taget ud, før De justerer værktøjet eller kontrollerer dets funktion.

### Montering eller afmontering af batteripakken (Fig. 1)

- Sluk altid for værktøjet, før De monterer eller afmonterer batteripakken.
- Ved afmontering af batteripakken trækkes den ud af værktøjet, mens der trykkes på knapperne på begge sider af pakken.
- Når De sætter batteripakken i, skal De holde den sådan, at forkanten på batteripakken passer ind i batteriåbningen, og skubbe den ind på plads. Sæt den altid helt ind, indtil den låses på plads med et lille klik. Ellers kan den falde ud af værktøjet og skade Dem eller andre personer i nærheden.
- Brug ikke magt ved indsættning af batteripakken. Hvis den ikke glider let ind, er den ikke indsat korrekt.

### Betjening af kontakt (Fig. 2)

#### FORSIGTIG:

- Før batteripakken sættes i værktøjet, skal De altid kontrollere, at kontaktgrebet reagerer korrekt og vender tilbage i "OFF"-stillingen, når De slipper det.

For at starte værktøjet skal De blot trykke på kontaktgrebet. Værktøjets hastighed forøges ved at trykke hårdere på kontaktgrebet. Slip kontaktgrebet for at stoppe.

### Tænding af lampen (Fig. 3)

#### FORSIGTIG:

- Se ikke direkte ind i lyset eller lyskilden.

Træk i kontaktgrebet for at tænde lampen. Lampen forbliver tændt, så længe der trækkes i kontaktgrebet. Lampen slukkes 10-15 sekunder efter, at grebet slippes.

#### BEMÆRK:

- Benyt en tør klud til at tørre snavs af lampens linse. Pas på ikke at ridsse lampens linse, da det kan mindske lysstyrken.

### Betjening af skiftekontakten (Fig. 4)

Værktøjet har en skiftekontakt til at ændre rotationsretningen. Tryk skiftekontakten mod A-siden for rotation med uret eller mod B-siden for rotation mod uret. Når skiftekontakthåndtaget er i neutral stilling, kan kontaktgrebet ikke trækkes ind.

#### FORSIGTIG:

- Kontroller altid rotationsretningen før anvendelsen.
- Betjen ikke skiftekontakten, før værktøjet er helt stoppet. Hvis rotationsretningen ændres, når værktøjet ikke er helt stoppet, kan det beskadige værktøjet.
- Sæt altid skiftekontakthåndtaget i neutral stilling, når værktøjet ikke anvendes.

## MONTERING

#### FORSIGTIG:

- Sørg altid for, at værktøjet er slukket, og at batteripakken er taget ud, før De udfører nogen form for arbejde på værktøjet.

### Montering eller afmontering af skruebit eller topbit (Fig. 5)

Brug kun bits der har samme monteringsstykke som vist på figuren.

#### Kun for lande i Europa og Nord & Sydamerika, Australien og New Zealand

A=12 mm B=9 mm	Brug kun disse typer bits. Følg fremgangsmåde (1). (Bemærk) Bitstykke er ikke nødvendigt.
-------------------	---

#### For andre lande

A=17 mm B=14 mm	Følg fremgangsmåde (1) for at montere disse typer bits. (Bemærk) Disse typer er Makita-bits.
A=12 mm B=9 mm	Følg fremgangsmåde (2) for at montere disse typer bits. (Bemærk) Der behøves ikke noget bitstykke for at montere bitten.

1. Træk muffen i pilens retning, og sæt bitten så langt ind i muffen, som den kan komme, for at montere bitten. Slip derefter muffen for at låse bitten fast. (Fig. 6)
2. Træk muffen i pilens retning, og sæt bitstykke og muffen så langt ind i bitten, som de kan komme, for at montere bitten. Bitstykket skal sættes ind i muffen med den spidse ende vendende indad. Slip derefter muffen for at låse bitten fast. (Fig. 7)

For at tage bitten ud skal De trække muffen i pilens retning, og trække bitten helt ud.

#### BEMÆRK:

- Hvis bitten ikke sidder langt nok ind i muffen, kan muffen ikke vende tilbage i den oprindelige position, og bitten vil ikke sidde fast. Prøv i så fald at sætte bitten

ind igen i overensstemmelse med ovenstående instruktioner.

## BETJENING (Fig. 8)

Det korrekte strammingsmoment kan variere afhængigt af skruens/boltens type eller størrelse, materialet af det arbejdsemne, der skal fastgøres, osv. Forholdet mellem strammingsmoment og strammingsstid er vist i figurerne. (Fig. 9 og 10)

Hold ordentligt fast i værktøjet og placer skruebittens spids i skruehovedet. Hold et tilpas fremad rettet tryk på værktøjet, sådan at bittens ikke glider ud af skruen, og tænd for værktøjet for at begynde arbejdet.

### BEMÆRK:

- Brug den korrekte bit til hovedet på den skrue/bolt, De vil benytte.
- Når De spænder M8-skruer eller mindre, skal De sørge for at justere trykket på kontaktrebet, sådan at skruen ikke beskadiges.
- Hold værktøjet, så det vender rigtigt i forhold til skruen.
- Hvis De strammer skruen i længere tid, end der er vist i figurerne, kan skruen eller skruebittens spids muligvis overbelastes, overskrues, beskadiges osv. Inden De begynder på arbejdet, skal De altid foretage en prøve for at bestemme den korrekte strammingsstid for skruen.

Strammingsmomentet bestemmes af en lang række faktorer, der omfatter følgende. Kontroller altid momentet med en momentnøgle efter stramningen.

1. Når batteripakken er næsten helt afladet, mindskes spændingen, og strammingsmomentet reduceres.
2. Skruebit eller topbit  
Hvis De ikke anvender den rigtige størrelse skruebit eller topbit, reduceres strammingsmomentet.
3. Bolt
  - Selvom momentkoefficienten og boltklassen er den samme, varierer det korrekte strammingsmoment afhængigt af boltens diameter.
  - Selvom bolte har samme diameter, varierer det korrekte strammingsmoment af momentkoefficienten, boltklassen og boltlængden.
4. Den måde, værktøjet holdes på, eller skruepositionen af det materiale, der skal fastgøres, påvirker momentet.
5. Hvis værktøjet betjenes ved lav hastighed, reduceres strammingsmomentet.

## Brug af hylster

### FORSIGTIG:

- Brug ikke hylster til værktøjer som fx en boremaskine med påmonteret bor.
- Sluk for værktøjet og vent indtil det er helt stoppet, inden De placerer det i hylsteret.  
Sørg for, at De lukker hylsteret ordentligt, sådan at det holder værktøjet fast.

Før et bælte eller lignende igennem hylsterremmen.

Placer værktøjet i hylsteret og lås det med hylsterknappen. (Fig. 11 og 12)

Der er plads til to bits foran på hylsteret. (Fig. 13)

## VEDLIGEHODELSE

### FORSIGTIG:

- Sørg altid for, at værktøjet er slukket, og at batteripakken er taget ud, før De forsøger at udføre inspektion eller vedligeholdelse.

For at holde produktet SIKKERT og PÅLIDELIGT skal reparationer samt al anden vedligeholdelse eller justering udføres af autoriserede Makita-servicecentre, og der skal altid benyttes Makita-reservedele.

## TILBEHØR

### FORSIGTIG:

- Dette tilbehør eller ekstraudstyr anbefales til brug med det Makita-værktøj, som er beskrevet i denne brugsanvisning. Brug af andet tilbehør eller ekstraudstyr kan forårsage personskade. Brug kun tilbehør eller ekstraudstyr til det formål, det er beregnet til.

Henvend Dem til Deres lokale Makita-servicecenter, hvis De har brug for hjælp eller yderligere oplysninger vedrørende tilbehøret.

- Skruebits
- Topbits
- Bitstykke
- Hylster
- Plastikbæretaske
- Forskellige typer af originale batterier og opladere fra Makita

### Kun for lande i Europa

#### Støj

ENG102-2

Det typiske A-vægtede støjniveau bestemt i overensstemmelse med EN60745:

Lydtrykkniveau ( $L_{pA}$ ): 92 dB (A)

Lydeffektniveau ( $L_{WA}$ ): 103 dB (A)

Usikkerhed (K): 3 dB (A)

#### Bær høreværn.

ENG205-1

#### Vibration

Den samlede vibrationsværdi (treaksiel vektorsum)

bestemt i overensstemmelse med EN60745-2-2:

Arbejdstilstand: stramning af befæstelseselementer

med slag ved værktøjets maksimale kapacitet

Vibrationsemission ( $a_{h1}$ ): 10 m/s<sup>2</sup>

Usikkerhed (K): 1,5 m/s<sup>2</sup>

ENG901-1

- Den opgivne vibrationsemissionsværdi er målt i overensstemmelse med standardtestmetoden og kan bruges til at sammenligne et værktøj med et andet.
- Den opgivne vibrationsemissionsværdi kan muligvis også bruges til en indledende eksponeringsvurdering.

### ⚠ ADVARSEL:

- Vibrationsemissionen under den faktiske brug af maskinen kan afvige fra den opgivne emissionsværdi afhængigt af den måde, maskinen anvendes på.
- Sørg for at bestemme sikkerhedsforanstaltninger for beskyttelse af operatøren, som er baseret på en eksponeringsvurdering for brug under faktiske forhold (hvor alle anvendelsescyklussens dele inddrages, som

f.eks. antal gange maskinen slukkes, og når den kører i tomgang ud over triggertiden).

**EC-erklæring vedrørende overholdelse af standarder**

ENH101-12

**Vi, Makita Corporation, erklærer som ansvarlig producent at følgende Makita-maskine(r):**

Maskinens betegnelse: Akku slagskruetrækker

Modelnummer/ type: TD090D

er en produktionsserie og

**Overholder følgende europæiske direktiver:**

98/37/EC indtil den 28. december 2009 og derefter

2006/42/EC fra den 29. december 2009

Og er produceret i henhold til følgende

standarder eller standardiserede dokumenter:

EN60745

Den tekniske dokumentation findes hos vores

autoriserede repræsentant i Europa:

Makita International Europe Ltd.,

Michigan, Drive, Tongwell,

Milton Keynes, MK15 8JD, England

30. januar 2009



Tomoyasu Kato

Direktør

Makita Corporation

3-11-8, Sumiyoshi-cho,

Anjo, Aichi, JAPAN

## ΕΛΛΗΝΙΚΑ (Πρωτογενείς οδηγίες)

### Περιγραφή γενικής όψης

- |                               |                    |                             |
|-------------------------------|--------------------|-----------------------------|
| 1. Κουμπί                     | 6. Μύτη            | 11. Χρόνος σύσφιξης         |
| 2. Μπαταρία                   | 7. Περίβλημα       | 12. Κατάλληλη ροπή σύσφιξης |
| 3. Σκανδάλη-διακόπτης         | 8. Τεμάχιο μύτης   | 13. Μπουλόνι υψηλής αντοχής |
| 4. Λάμπα                      | 9. Τυπικό μπουλόνι |                             |
| 5. Αντιστροφή μοχλού διακόπτη | 10. Ροπή σύσφιξης  |                             |

## ΠΡΟΔΙΑΓΡΑΦΕΣ

Μοντέλο		TD090D
Χωρητικότητα	Μηχανική βίδα	4 mm - 8 mm
	Τυπικό μπουλόνι	5 mm - 14 mm
	Μπουλόνι υψηλής αντοχής	5 mm - 10 mm
Ταχύτητα χωρίς φορτίο (min <sup>-1</sup> )		0 - 2.400
Κρούσεις ανά λεπτό		0 - 3.000
Ολικό μήκος		155 mm
Καθαρό βάρος		0,92 kg
Όνομαστική τιμή τάσης		D.C. 10,8 V

- Λόγω του συνεχόμενου προγράμματος που εφαρμόζουμε για έρευνα και ανάπτυξη, τα τεχνικά χαρακτηριστικά στο παρόν έντυπο υπόκεινται σε αλλαγή χωρίς προειδοποίηση.
- Τα τεχνικά χαρακτηριστικά ενδέχεται να διαφέρουν ανάλογα με τη χώρα.
- Βάρος μαζί με την μπαταρία σύμφωνα με τη διαδικασία της ΕΡΤΑ 01/2003

### Προοριζόμενη χρήση

ENE033-1

Το εργαλείο προορίζεται για βίδωμα σε ξύλο, μέταλλο και πλαστικό.

## Γενικές Προειδοποιήσεις Ασφαλείας Του Ηλεκτρικού Εργαλείου

GEA010-1

**⚠ ΠΡΟΕΙΔΟΠΟΙΗΣΗ** Διαβάστε όλες τις προειδοποιήσεις ασφαλείας και όλες τις οδηγίες. Αν δεν ακολουθήσετε όλες τις προειδοποιήσεις και τις οδηγίες, υπάρχει κίνδυνος ηλεκτροπληξίας, πυρκαγιάς ή/και σοβαρού τραυματισμού.

## Φυλάξτε όλες τις προειδοποιήσεις και τις οδηγίες για μελλοντική αναφορά.

## ΕΙΔΙΚΟΙ ΚΑΝΟΝΕΣ ΑΣΦΑΛΕΙΑΣ

GEB012-3

**ΜΗΝ** αφήσετε την άνεση ή την εξοικείωσή σας με το προϊόν (που αποκτήθηκε από επανειλημμένη χρήση) να αντικαταστήσει την αυστηρή προσήλωση στους κανόνες ασφάλειας του κρουστικού καταβιδιού. Εάν χρησιμοποιήσετε αυτό το εργαλείο με ανασφαλές ή λανθασμένο τρόπο, ενδέχεται να υποστείτε σοβαρό τραυματισμό.

1. Να κρατάτε το ηλεκτρικό εργαλείο από τις μονωμένες λαβές όταν εκτελείτε μια εργασία κατά την οποία ο σφικτήρας μπορεί να έρθει σε επαφή με μη ορατά καλώδια ή με το δικό του καλώδιο τροφοδοσίας. Αν οι σφικτήρες έρθουν σε επαφή με κάποιο ηλεκτροφόρο καλώδιο, τα εκτεθειμένα μεταλλικά μέρη του ηλεκτρικού εργαλείου θα γίνουν κι

αυτά ηλεκτροφόρα και μπορεί να προκληθεί ηλεκτροπληξία στο χειριστή.

2. **Να βεβαιώνετε πάντοτε ότι στέκεστε σταθερά. Όταν χρησιμοποιείτε το εργαλείο σε υψηλές τοποθεσίες, να βεβαιώνετε ότι δεν βρίσκεται κανένας από κάτω.**
3. **Να κρατάτε το εργαλείο σταθερά.**
4. **Να φοράτε ωτοασπίδες.**

## ΦΥΛΑΞΤΕ ΑΥΤΕΣ ΤΙΣ ΟΔΗΓΙΕΣ.

### ΠΡΟΕΙΔΟΠΟΙΗΣΗ:

**Η ΛΑΝΘΑΣΜΕΝΗ ΧΡΗΣΗ** ή η αμέλεια στο να ακολουθήσετε τους κανόνες ασφάλειας που διατυπώνονται στο παρόν εγχειρίδιο οδηγιών μπορεί να προκαλέσει σοβαρό προσωπικό τραυματισμό.

## ΣΗΜΑΝΤΙΚΕΣ ΟΔΗΓΙΕΣ ΑΣΦΑΛΕΙΑΣ

ENC007-4

## ΓΙΑ ΤΗΝ ΜΠΑΤΑΡΙΑ

1. Πριν χρησιμοποιήσετε την μπαταρία, διαβάστε όλες τις οδηγίες και τις ενδείξεις προφύλαξης στο (1) φορτιστή μπαταρίας, (2) την μπαταρία και (3) το προϊόν στο οποίο χρησιμοποιείται η μπαταρία.
2. Μην αποσυναρμολογείτε την μπαταρία.
3. Αν ο χρόνος λειτουργίας της μπαταρίας είναι υπερβολικά σύντομος, διακόψτε αμέσως τη λειτουργία. Αν συνεχίσετε, μπορεί να έχει ως αποτέλεσμα τον κίνδυνο υπερθέρμανσης, πιθανών εκπομπών και ακόμη έκρηξης.
4. Αν μπει στα μάτια σας ηλεκτρολύτης, ξεπλύνετε με καθαρό νερό και αναζητήστε αμέσως ιατρική βοήθεια. Μπορεί να χάσετε την όρασή σας.
5. **Μη βραχυκυκλώνετε την μπαταρία:**

- (1) Μην αγγίζετε τους ακροδέκτες με αγώγιμο υλικό.
  - (2) Μην αποθηκεύετε την μπαταρία σε δοχείο με άλλα μεταλλικά αντικείμενα, όπως καρφιά, νομίσματα, κτλ.
  - (3) Μην εκθέτετε την μπαταρία σε νερό ή βροχή. Αν βραχυκυκλωθεί η μπαταρία, μπορεί να προκληθεί μεγάλη ροή ηλεκτρικού ρεύματος, υπερθέρμανση, πιθανά εγκαύματα και ακόμη καταστροφή της μπαταρίας.
6. Μην αποθηκεύετε το εργαλείο και τη μπαταρία σε μέρη όπου η θερμοκρασία μπορεί να φτάσει ή να ξεπεράσει τους 50°C (122°F).
  7. Μην αποτεφρώνετε την μπαταρία ακόμη κι αν παρουσιάζει σοβαρή ζημιά ή είναι εντελώς φθαρμένη. Η μπαταρία μπορεί να εκραγεί σε φωτιά.
  8. Να προσέχετε να μη σας πέσει η μπαταρία και να μη συγκρουστεί με κάποιο αντικείμενο.
  9. Μην χρησιμοποιήσετε μια μπαταρία που έχει πέσει κάτω ή έχει χτυπηθεί.

## ΦΥΛΑΞΤΕ ΑΥΤΕΣ ΤΙΣ ΟΔΗΓΙΕΣ.

### Συμβουλές για τη διατήρηση της μέγιστης ζωής της μπαταρίας

1. **Να φορτίζετε την μπαταρία πριν αποφορτιστεί εντελώς.**  
Πάντοτε να διακόπτετε τη λειτουργία του εργαλείου και να φορτίζετε την μπαταρία όταν παρατηρήται μειωμένη ισχύ του εργαλείου.
2. **Ποτέ μην επαναφορτίζετε μια πλήρως φορτισμένη μπαταρία.**  
Αν υπερφορτίσετε την μπαταρία, μειώνεται η ωφέλιμη διάρκεια ζωής της.
3. **Να φορτίζετε την μπαταρία σε θερμοκρασία δωματίου, στους 10°C - 40°C (50°F - 104°F).** Αν η μπαταρία είναι θερμή, αφήστε την να ψυχθεί πριν τη φορτίσετε.

## ΠΕΡΙΓΡΑΦΗ ΛΕΙΤΟΥΡΓΙΑΣ

### ΠΡΟΣΟΧΗ:

- Να βεβαιώνετε πάντοτε ότι έχετε σβήσει το εργαλείο και έχετε βγάλει την μπαταρία πριν ρυθμίσετε ή ελέγξετε κάποια λειτουργία του εργαλείου.

### Τοποθέτηση ή αφαίρεση της μπαταρίας (Εικ. 1)

- Πάντοτε να σβήνετε το εργαλείο πριν βάξετε ή βγάξετε την μπαταρία.
- Για να βγάλετε την μπαταρία, τραβήξτε την από το εργαλείο καθώς πιέζετε τα κουμπιά και στις δυο πλευρές της μπαταρίας.
- Για να τοποθετήσετε την μπαταρία, κρατήστε τη έτσι ώστε η μπροστινή μορφή της μπαταρίας να ταιριάζει στο άνοιγμα στο οποίο τοποθετείται η μπαταρία και ολισθήστε την στη θέση της.  
Πάντοτε να την τοποθετείτε έως το τέρμα, δηλαδή έως όπου ασφαλίζει στη θέση και ακουστεί ένας χαρακτηριστικός ήχος («κλικ»). Σε αντίθετη περίπτωση, μπορεί να πέσει κατά λάθος από το εργαλείο και να τραυματίσει εσάς ή κάποιον παρευρισκόμενο.

- Να μη χρησιμοποιείτε δύναμη όταν τοποθετείτε την μπαταρία. Αν η μπαταρία δεν ολισθαίνει με ευκολία, δεν την εισήγατε σωστά.

### Δράση διακόπτη (Εικ. 2)

#### ΠΡΟΣΟΧΗ:

- Πριν την τοποθέτηση της μπαταρίας στο εργαλείο, πάντοτε να ελέγχετε ότι η σκανδάλη-διακόπτης ενεργοποιείται κανονικά και επιστρέφει στη θέση "OFF" όταν την αφήνετε.

Για να ξεκινήσετε το εργαλείο, απλά πιέστε τη σκανδάλη-διακόπτη. Αν αυξήσετε την πίεση στη σκανδάλη-διακόπτη, αυξάνεται η ταχύτητα του εργαλείου. Για να σταματήσετε, αφήστε τη σκανδάλη-διακόπτη.

### Άναμμα της μπροστινής λάμπας (Εικ. 3)

#### ΠΡΟΣΟΧΗ:

- Μην κοιτάτε κατευθείαν μέσα στο φως ή στην πηγή φωτός.

Πιέστε τη σκανδάλη-διακόπτη για να ανάψετε τη λάμπα. Η λάμπα εξακολουθεί να είναι αναμμένη όσο πιέζετε τη σκανδάλη-διακόπτη. Η λάμπα σβήνει 10 έως 15 δευτερόλεπτα αφού αφήσετε τη σκανδάλη.

#### ΣΗΜΕΙΩΣΗ:

- Χρησιμοποιήστε ένα στεγνό πανί για να σκουπίσετε τη σκόνη από το φακό της λάμπας.  
Προσέχετε να μη γρατσουνίσετε το φακό της λάμπας, διότι έτσι ενδέχεται να μειωθεί η ένταση του φωτισμού.

### Δράση αναστροφικού (Εικ. 4)

Το εργαλείο αυτό διαθέτει αναστροφικό για να αλλάζετε την κατεύθυνση περιστροφής. Πατήστε το αναστροφικό από την πλευρά Α για δεξιόστροφη περιστροφή ή από την πλευρά Β για αριστερόστροφη περιστροφή.  
Όταν το αναστροφικό βρίσκεται στην ουδέτερη θέση, δεν μπορείτε να πατήσετε τη σκανδάλη-διακόπτη.

#### ΠΡΟΣΟΧΗ:

- Πριν από τη λειτουργία, να ελέγχετε πάντοτε την κατεύθυνση περιστροφής.
- Να χρησιμοποιείτε το αναστροφικό μόνο όταν το εργαλείο είναι εντελώς ακινητοποιημένο. Αν αλλάξετε την κατεύθυνση περιστροφής πριν ακινητοποιηθεί το εργαλείο, μπορεί να προκληθεί βλάβη στο εργαλείο.
- Όταν δεν χειρίζεστε το εργαλείο, να βάξετε πάντοτε το αναστροφικό στην ουδέτερη θέση.

## ΣΥΝΑΡΜΟΛΟΓΗΣΗ

#### ΠΡΟΣΟΧΗ:

- Να βεβαιώνετε πάντοτε ότι έχετε σβήσει το εργαλείο και έχετε βγάλει την μπαταρία πριν εκτελέσετε οποιαδήποτε εργασία σε αυτό.

### Τοποθέτηση ή αφαίρεση της μύτης βιδώματος ή της υποδοχής της μύτης (Εικ. 5)

Χρησιμοποιήστε μόνο τις μύτες που διαθέτουν το τμήμα εισχώρησης που δείχνεται στην εικόνα.

## Για χώρες της Ευρώπης και της Βόρειας & Νότιας Αμερικής, την Αυστραλία και τη Νέα Ζηλανδία

A=12 mm B=9 mm	Χρησιμοποιείτε μόνο μύτες αυτών των τύπων. Ακολουθήστε τη διαδικασία (1). (Σημείωση) Δεν είναι απαραίτητο το τεμάχιο της μύτες.
-------------------	---

## Για άλλες χώρες

A=17 mm B=14 mm	Για να τοποθετήσετε τις μύτες αυτών των τύπων, ακολουθήστε τη διαδικασία (1). (Σημείωση) Οι μύτες της Makita είναι αυτών των τύπων.
A=12 mm B=9 mm	Για να τοποθετήσετε τις μύτες αυτών των τύπων, ακολουθήστε τη διαδικασία (2). (Σημείωση) Το τεμάχιο της μύτες είναι απαραίτητο για την τοποθέτηση της μύτες.

1. Για να τοποθετήσετε τη μύτη, τραβήξτε το περίβλημα προς την κατεύθυνση του βέλους και βάλτε τη μύτη μέσα στο περίβλημα όσο μέσα μπορεί να μπει. Μετά ελευθερώστε το περίβλημα για να στερεώσετε τη μύτη. **(Εικ. 6)**
2. Για να τοποθετήσετε τη μύτη, τραβήξτε το περίβλημα προς την κατεύθυνση του βέλους και το τεμάχιο της μύτες και τη μύτη μέσα στο περίβλημα όσο μέσα μπορεί να μπει. Το τεμάχιο της μύτες πρέπει να εισαχθεί μέσα στο περίβλημα με το μυτερό άκρο να βλέπει προς τα μέσα. Μετά ελευθερώστε το περίβλημα για να στερεώσετε τη μύτη. **(Εικ. 7)**

Για να αφαιρέσετε τη μύτη τραβήξτε το περίβλημα προς την διεύθυνση του βέλους και τραβήξτε γερά τη μύτη προς τα έξω.

### ΣΗΜΕΙΩΣΗ:

- Εάν δεν έχει μπει η μύτη αρκετά βαθιά μέσα στο περίβλημα, το περίβλημα θα επιστρέψει στην αρχική του θέση και η μύτη δεν θα στερεωθεί. Σε αυτή την περίπτωση προσπαθήστε να βάλετε την μύτη σύμφωνα με τις παρακάτω οδηγίες.

## ΛΕΙΤΟΥΡΓΙΑ (Εικ. 8)

Η κατάλληλη ροπή σύσφιξης μπορεί να διαφέρει ανάλογα με το είδος ή το μέγεθος της βίδας/του μπουλονιού, του υλικού του αντικειμένου που στερεώνεται, κτλ. Η σχέση μεταξύ της ροπής σύσφιξης και του χρόνου σύσφιξης δείχνεται στα διαγράμματα. **(Εικ. 9 και 10)**

Κρατήστε σταθερά το εργαλείο και τοποθετήστε το άκρο της μύτες βιδώματος στην κεφαλή της βίδας. Πιέστε προς τα εμπρός το εργαλείο έτσι ώστε η μύτη να μην γλιστρήσει από τη βίδα και ενεργοποιήστε το εργαλείο για να ξεκινήσετε τη λειτουργία.

### ΣΗΜΕΙΩΣΗ:

- Χρησιμοποιήστε την κατάλληλη μύτη για την κεφαλή της βίδας/του μπουλονιού που επιθυμείτε να χρησιμοποιήσετε.
- Κατά το βιδωμα μιας M8 βίδας ή μικρότερης, πιέστε με προσοχή την σκανδάλη διακόπτη έτσι ώστε η βίδα να μην πάθει ζημιά.
- Να κρατάτε το εργαλείο σε ευθεία με τη βίδα.
- Εάν σφίξετε την βίδα για παραπάνω χρόνο από ότι δείχνουν τα σχεδιαγράμματα, η βίδα ή η άκρη του

κατσαβιδιού ενδέχεται να υπερενταθεί, να παραμορφωθεί, να πάθει ζημιά κτλ. Πριν αρχίσετε την εργασία σας, εκτελέστε πάντα μια δοκιμαστική λειτουργία για να καθορίσετε τον κατάλληλο χρόνο σύσφιξης για τη βίδα σας.

Η ροπή σύσφιξης επηρεάζεται από μια ευρεία ποικιλία παραγόντων συμπεριλαμβανομένων των ακόλουθων. Μετά από τη σύσφιξη, ελέγξτε πάντα τη ροπή με ένα κλειδί ροπής.

1. Όταν η μπαταρία αποφορτιστεί σχεδόν εντελώς, θα ελαττωθεί η τάση και η ροπή σύσφιξης θα μειωθεί.
2. Μύτη τρυπανιού ή μύτη υποδοχής  
Η μη χρήση της σωστής μύτες τρυπανιού ή της μύτες υποδοχής θα προκαλέσει μια μείωση της ροπής σύσφιξης.
3. Μπουλόνι
  - Ακόμα κι αν ο συντελεστής ροπής και η κατηγορία μπουλονιού είναι οι ίδιοι, η κατάλληλη ροπή σύσφιξης θα διαφέρει σύμφωνα με τη διάμετρο του μπουλονιού.
  - Ακόμα κι αν οι διάμετροι των μπουλονιών είναι οι ίδιοι, η κατάλληλη ροπή σύσφιξης θα διαφέρει σύμφωνα με τη διάμετρο του μπουλονιού, την κλάση του μπουλονιού και το μήκος του μπουλονιού.
4. Ο τρόπος του κρατήματος του εργαλείου ή του υλικού της θέσης βιδώματος που στερεώνεται θα επηρεάσει τη ροπή.
5. Η λειτουργία του εργαλείου σε χαμηλή ταχύτητα θα προκαλέσει τη μείωση της ροπής σύσφιξης.

## Χρήση πιστολιοθήκης

### ΠΡΟΣΟΧΗ:

- Μην την χρησιμοποιήσετε για εργαλεία όπως ένα τρυπάνι στο οποίο είναι τοποθετημένη μια μύτη.
- Απενεργοποιήστε το εργαλείο και περιμένετε μέχρι να σταματήσει τελείως πριν το τοποθετήσετε στην πιστολιοθήκη.  
Βεβαιωθείτε να κλείσετε καλά την πιστολιοθήκη έτσι ώστε να κρατήσει το εργαλείο σταθερά.

Περάστε μια ζώνη ή κάτι παρόμοιο μέσα από την υποδοχή της πιστολιοθήκης.

Τοποθετήστε το εργαλείο μέσα στη πιστολιοθήκη και ασφαλίστε το με το κουμπί της πιστολιοθήκης. **(Εικ. 11 και 12)**

Δυο μύτες μπορούν να φυλαχτούν στο μπροστινό μέρος της πιστολιοθήκης. **(Εικ. 13)**

## ΣΥΝΤΗΡΗΣΗ

### ΠΡΟΣΟΧΗ:

- Να βεβαιώνετε πάντοτε ότι έχετε σβήσει το εργαλείο και έχετε βγάλει την μπαταρία πριν εκτελέσετε οποιαδήποτε εργασία ελέγχου ή συντήρησης σε αυτό.

Για να διατηρείται η ΑΣΦΑΛΕΙΑ και η ΑΞΙΟΠΙΣΤΙΑ του προϊόντος, οι εργασίες επισκευής, καθώς και οποιαδήποτε άλλη εργασία συντήρησης ή ρύθμισης, θα πρέπει να εκτελούνται σε εξουσιοδοτημένα κέντρα εξυπηρέτησης της Makita, και πάντοτε με τη χρήση ανταλλακτικών της Makita.

# ΑΞΕΣΟΥΑΡ

## ΠΡΟΣΟΧΗ:

- Συνιστάται η χρήση των παρακάτω αξεσουάρ και εξαρτημάτων με το εργαλείο της Makita μόνο όπως καθορίζεται στο παρόν εγχειρίδιο. Αν χρησιμοποιήσετε άλλα αξεσουάρ ή εξαρτήματα μπορεί να παρουσιαστεί κίνδυνος για πρόκληση ατομικού τραυματισμού. Να χρησιμοποιείτε τα αξεσουάρ και τα εξαρτήματα μόνο για το σκοπό για τον οποίο προορίζονται.

Αν χρειάζεστε κάποια βοήθεια ή περισσότερες πληροφορίες σχετικά με τα αξεσουάρ αυτά, απευθυνθείτε στο πλησιέστερο κέντρο εξυπηρέτησης της Makita.

- Μύτες βιδώματος
- Μύτες υποδοχής
- Τεμάχιο μύτης
- Πιστολιοθήκη
- Πλαστική θήκη μεταφοράς
- Διάφοροι τύποι γνήσιων μπαταριών και φορτιστών της Makita

## Για τις Ευρωπαϊκές Χώρες μόνο

### Θόρυβος

ENG102-2

Το σύνθετο σταθμισμένο επίπεδο θορύβου που έχει καθοριστεί σύμφωνα με την EN60745:

Επίπεδο ηχητικής πίεσης ( $L_{pA}$ ): 92 dB (A)

Επίπεδο ηχητικής ισχύος ( $L_{WA}$ ): 103 dB (A)

Αβεβαιότητα (K): 3 dB (A)

### Να φοράτε ωτοασπίδες.

### Δόνηση

ENG205-1

Η συνολική τιμή δόνησης (διανυσματικό άθροισμα τριών αξόνων) που έχει καθοριστεί σύμφωνα με την EN60745-2-2:

Κατάσταση λειτουργίας: κρουστικό σφίξιμο μέσω

σύσφιξης με μέγιστη ικανότητα του εργαλείου

Εκπομπή δόνησης ( $a_h$ ): 10 m/s<sup>2</sup>

Αβεβαιότητα (K): 1,5 m/s<sup>2</sup>

ENG901-1

- Η δηλωθείσα τιμή των παραγομένων κραδασμών έχει καταμετρηθεί σύμφωνα με την τυποποιημένη μέθοδο δοκιμασίας και μπορεί να χρησιμοποιηθεί για την σύγκριση ενός εργαλείου με ένα άλλο.
- Η δηλωθείσα τιμή των παραγομένων κραδασμών μπορεί επίσης να χρησιμοποιηθεί για μια προκαταρκτική αξιολόγηση της έκθεσης στους κραδασμούς.

## ΠΡΟΕΙΔΟΠΟΙΗΣΗ:

- Η εκπομπή κραδασμών κατά τη διάρκεια της πραγματικής χρήσης του ηλεκτρικού εργαλείου μπορεί να διαφέρει από τη δηλωθείσα τιμή των εκπομπών, ανάλογα με τον τρόπο με τον οποίο χρησιμοποιείται το εργαλείο.
- Φροντίστε να λάβετε τα μέτρα ασφαλείας που απαιτούνται για την προστασία του χρήστη που βασίζονται σε μια εκτίμηση της έκθεσης σε πραγματικές συνθήκες χρήσης (λαμβάνοντας υπόψη όλα τα μέρη του κύκλου λειτουργίας, όπως είναι οι περιπτώσεις κατά τις οποίες το εργαλείο είναι απενεργοποιημένο και όταν λειτουργεί στο ρελαντί επιπροσθέτως του χρόνου κατά τον οποίο το εργαλείο βρίσκεται σε χρήση).

## ΕΚ Δήλωση Συμμόρφωσης

ENH101-12

Η Εταιρία Makita ως υπεύθυνος κατασκευαστής, δηλώνει ότι το παρακάτω μηχάνημα ή μηχανήματα της Makita:

Όνομασία Μηχανήματος: Κρουστικό κατασβίδι μπαταρίας Αρ. Μοντέλου/ Τύπος: TD090D

αποτελούν παραγωγή σε σειρά και

**Συμμορφώνονται με τις ακόλουθες Ευρωπαϊκές Οδηγίες:**

98/37/ΕΚ έως στην 28η Δεκεμβρίου 2009 και επακόλουθα με την 2006/42/ΕΚ από την 29η Δεκεμβρίου 2009

Και κατασκευάζονται σύμφωνα με τα παρακάτω πρότυπα ή τυποποιημένα έγγραφα:

EN60745

Ο εξουσιοδοτημένος μας αντιπρόσωπος στην Ευρώπη διατηρεί τα τεχνικά έγγραφα, ο οποίος είναι:

Makita International Europe Ltd.,  
Michigan, Drive, Tongwell,  
Milton Keynes, MK15 8JD, England

30η Ιανουαρίου 2009



Tomoyasu Kato

Διευθυντής

Makita Corporation

3-11-8, Sumiyoshi-cho,

Anjo, Aichi, JAPAN

**Makita Corporation**  
Anjo, Aichi, Japan

[www.makita.com](http://www.makita.com)

884802B997

ALA