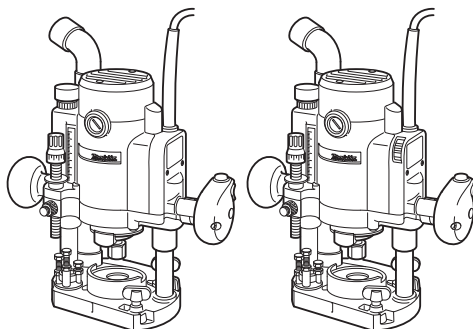




GB	Router Electronic Router	Instruction Manual
F	Défonceuse Défonceuse Electronique	Manuel d'instructions
D	Oberfräse Elektronische Oberfräse	Betriebsanleitung
I	Fresa Fresa elettronica	Istruzioni per l'uso
NL	Bovenfrees Elektronische bovenfrees	Gebruiksaanwijzing
E	Rebajadora Rebajadora Electrónica	Manual de instrucciones
P	Tupia Tupia Eletrônica	Manual de instruções
DK	Overfræser Elektronisk overfræser	Brugsanvisning
GR	Περιστρεφόμενη φραιζα Ηλεκτρονική περιστρεφόμενη φραιζα	Οδηγίες χρήσεως

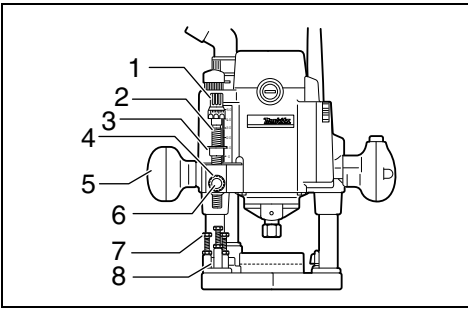
RP0910 RP1110C



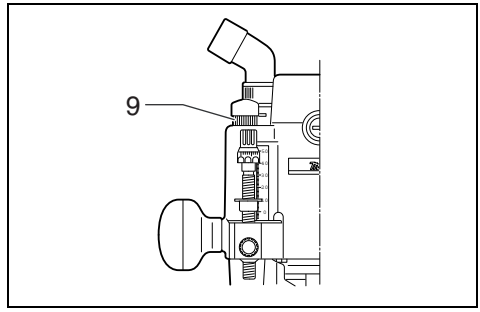
RP0910

RP1110C

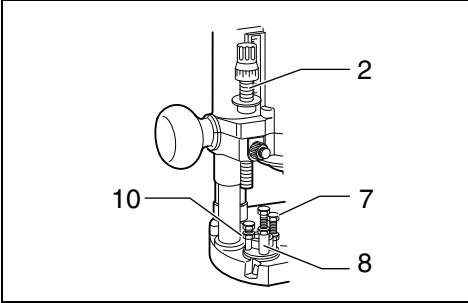




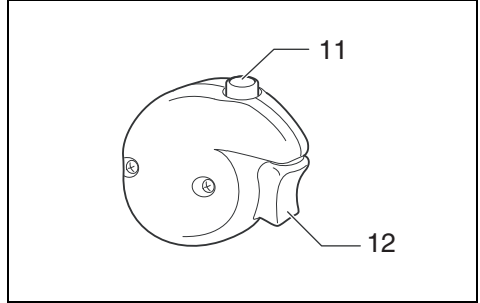
1



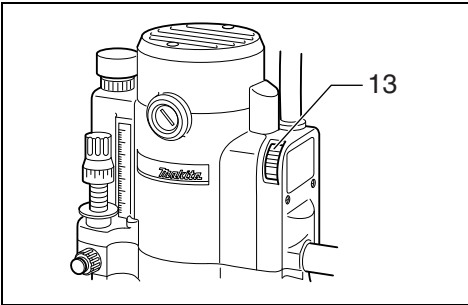
2



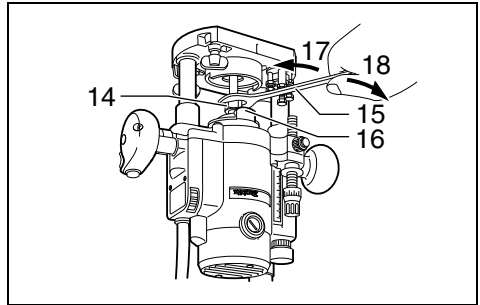
3



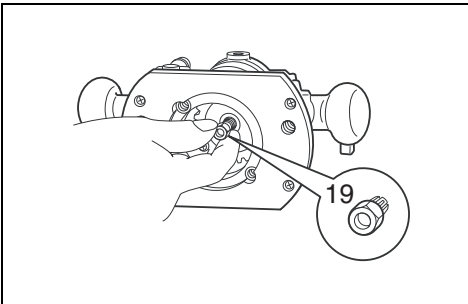
4



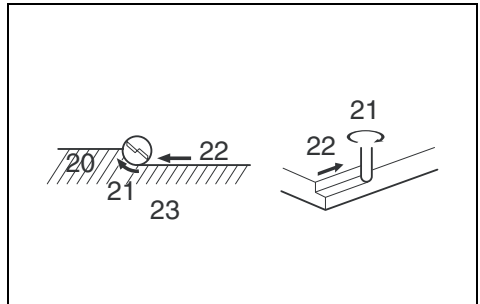
5



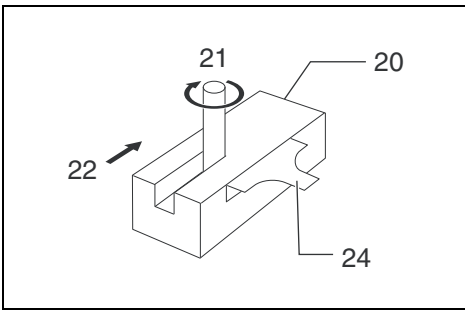
6



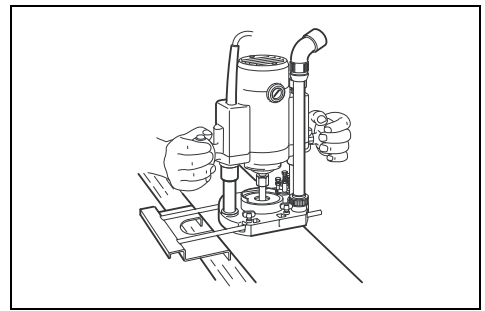
7



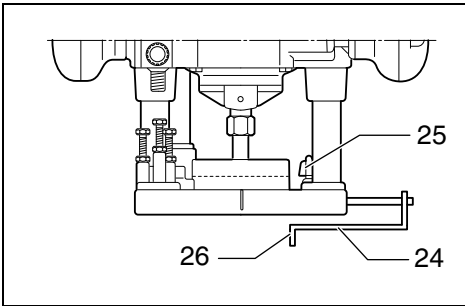
8



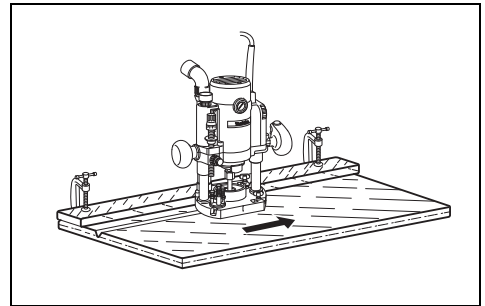
9



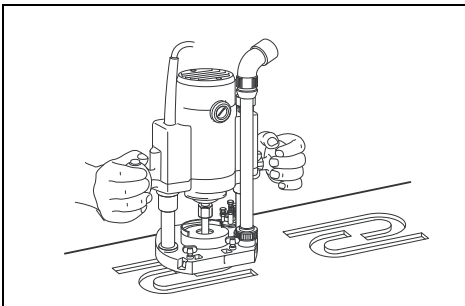
10



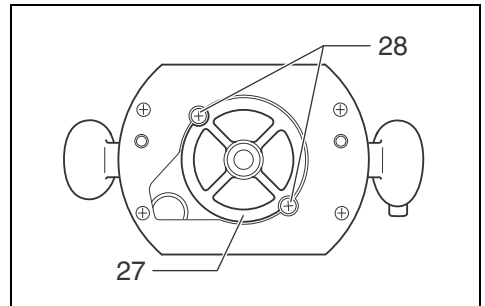
11



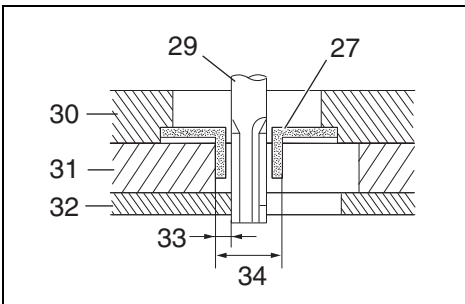
12



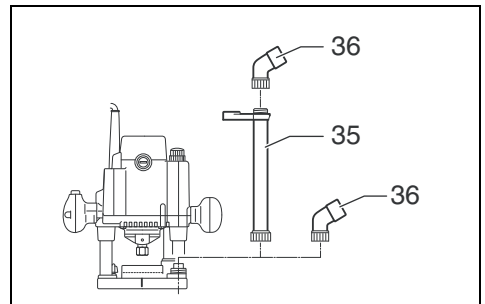
13



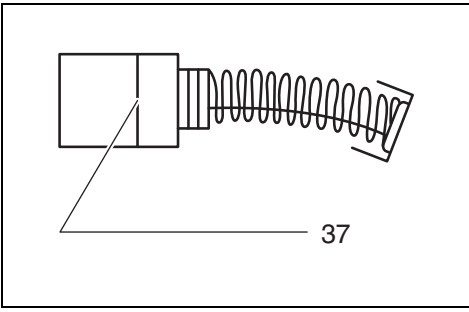
14



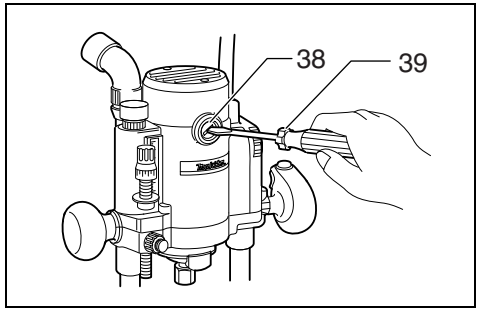
15



16



17



18

Explanation of general view

1 Adjusting knob	15 Wrench	29 Bit
2 Stopper pole	16 Shaft lock	30 Base
3 Depth pointer	17 Tighten	31 Templet
4 Stopper pole setting nut	18 Loosen	32 Workpiece
5 Lock knob	19 Correct size collet cone	33 Distance (X)
6 Fast-feed button	20 Workpiece	34 Outside diameter of the templet guide
7 Adjusting hex bolt	21 Bit revolving direction	35 Nozzle assembly
8 Stopper block	22 Feed direction	36 Dust nozzle assembly
9 Nylon nut	23 View from the top of the tool	37 Limit mark
10 Hex nut	24 Straight guide	38 Brush holder cap
11 Lock button	25 Lock screw	39 Screwdriver
12 Switch trigger	26 Guiding surface	
13 Speed adjusting dial	27 Templet guide	
14 Collet nut	28 Screw	

SPECIFICATIONS

Model	RP0910	RP110C
Max. collet capacity	8 mm or 1/4"	8 mm or 1/4"
Plunge capacity	0 – 57 mm	0 – 57 mm
No load speed (min ⁻¹)	27,000	8,000 – 24,000
Overall height	260 mm	260 mm
Net weight	3.3 kg	3.4 kg
Safety class	□/II	□/II

- Due to our continuing program of research and development, the specifications herein are subject to change without notice.
- Specifications may differ from country to country.
- Weight according to EPTA-Procedure 01/2003

Intended use

The tool is intended for flush trimming and profiling of wood, plastic and similar materials.

Power supply

The tool should be connected only to a power supply of the same voltage as indicated on the nameplate, and can only be operated on single-phase AC supply. They are double-insulated in accordance with European Standard and can, therefore, also be used from sockets without earth wire.

GEA010-1

General Power Tool Safety Warnings

⚠ WARNING Read all safety warnings and all instructions. Failure to follow the warnings and instructions may result in electric shock, fire and/or serious injury.

Save all warnings and instructions for future reference.

GEB018-2

ROUTER SAFETY WARNINGS

1. **Hold power tool by insulated gripping surfaces when performing an operation where the cutting tool may contact hidden wiring or its own cord.** Contact with a "live" wire will make exposed metal parts of the tool "live" and shock the operator.
2. **Use clamps or another practical way to secure and support the workpiece to a stable platform.** Holding the work by hand or against your body leaves it unstable and may lead to loss of control.
3. **Wear hearing protection during extended period of operation.**

4. **Handle the bits very carefully.**
5. **Check the bit carefully for cracks or damage before operation. Replace cracked or damaged bit immediately.**
6. **Avoid cutting nails. Inspect for and remove all nails from the workpiece before operation.**
7. **Hold the tool firmly with both hands.**
8. **Keep hands away from rotating parts.**
9. **Make sure the bit is not contacting the workpiece before the switch is turned on.**
10. **Before using the tool on an actual workpiece, let it run for a while. Watch for vibration or wobbling that could indicate improperly installed bit.**
11. **Be careful of the bit rotating direction and the feed direction.**
12. **Do not leave the tool running. Operate the tool only when hand-held.**
13. **Always switch off and wait for the bit to come to a complete stop before removing the tool from workpiece.**
14. **Do not touch the bit immediately after operation; it may be extremely hot and could burn your skin.**
15. **Do not smear the tool base carelessly with thinner, gasoline, oil or the like. They may cause cracks in the tool base.**
16. **Draw attention to the need to use cutters of the correct shank diameter and which are suitable for the speed of the tool.**
17. **Some material contains chemicals which may be toxic. Take caution to prevent dust inhalation and skin contact. Follow material supplier safety data.**
18. **Always use the correct dust mask/respirator for the material and application you are working with.**

SAVE THESE INSTRUCTIONS.

WARNING:

DO NOT let comfort or familiarity with product (gained from repeated use) replace strict adherence to safety rules for the subject product. MISUSE or failure to follow the safety rules stated in this instruction manual may cause serious personal injury.

FUNCTIONAL DESCRIPTION**CAUTION:**

- Always be sure that the tool is switched off and unplugged before adjusting or checking function on the tool.

Adjusting the depth of cut (Fig. 1)

Place the tool on a flat surface. Loosen the lock knob and lower the tool body until the bit just touches the flat surface. Tighten the lock knob to lock the tool body.

Turn the stopper pole setting nut counterclockwise. Lower the stopper pole until it makes contact with the adjusting bolt. Align the depth pointer with the "0" graduation. The depth of cut is indicated on the scale by the depth pointer.

While pressing the fast-feed button, raise the stopper pole until the desired depth of cut is obtained. Minute depth adjustments can be obtained by turning the adjusting knob (1 mm per turn.)

By turning the stopper pole setting nut clockwise, you can fasten the stopper pole firmly.

Now, your predetermined depth of cut can be obtained by loosening the lock knob and then lowering the tool body until the stopper pole makes contact with the adjusting bolt of the stopper block.

Nylon nut (Fig. 2)

By turning the nylon nut, the upper limit of the tool body can be adjusted. When the tip of the bit is retracted more than required in relation to the base plate surface, turn the nylon nut to lower the upper limit.

CAUTION:

- Since excessive cutting may cause overload of the motor or difficulty in controlling the tool, the depth of cut should not be more than 15 mm at a pass when cutting grooves with an 8 mm diameter bit.
- When cutting grooves with a 20 mm diameter bit, the depth of cut should not be more than 5 mm at a pass.
- For extra-deep grooving operations, make two or three passes with progressively deeper bit settings.
- Do not lower the nylon nut too low or the bit will protrude dangerously.

Stopper block (Fig. 3)

The stopper block has three adjusting hex bolts which raise or lower 0.8 mm per turn. You can easily obtain three different depths of cut using these adjusting hex bolts without readjusting the stopper pole.

Adjust the lowest hex bolt to obtain the deepest depth of cut, following the method of "Adjusting depth of cut". Adjust the two remaining hex bolts to obtain shallower depths of cut. The differences in height of these hex bolts are equal to the differences in depths of cut.

To adjust the hex bolts, first loosen the hex nuts on the hex bolts with the wrench and then turn the hex bolts. After obtaining the desired position, tighten the hex nuts while holding the hex bolts in that desired position. The stopper block is also convenient for making three passes with progressively deeper bit settings when cutting deep grooves.

Switch action (Fig. 4)**CAUTION:**

- Before plugging in the tool, always check to see that the switch trigger actuates properly and returns to the "OFF" position when released.
- Make sure that the shaft lock is released before the switch is turned on.

To start the tool, depress the lock button and pull the switch trigger. Release the switch trigger to stop.

For continuous operation, pull the switch trigger and then depress the lock button further. To stop the tool, pull the switch trigger so that the lock button returns automatically. Then release the switch trigger.

After releasing the switch trigger, the lock-off function works to prevent the switch trigger from being pulled.

Speed adjusting dial (Fig. 5)**For RP1110C**

The tool speed can be changed by turning the speed adjusting dial to a given number setting from 1 to 5.

Higher speed is obtained when the dial is turned in the direction of number 5. And lower speed is obtained when it is turned in the direction of number 1.

This allows the ideal speed to be selected for optimum material processing, i.e. the speed can be correctly adjusted to suit the material and bit diameter.

Refer to the table for the relationship between the number settings on the dial and the approximate tool speed.

Number	min ⁻¹
1	8,000
2	12,000
3	16,000
4	20,000
5	24,000

CAUTION:

- The speed adjusting dial can be turned only as far as 5 and back to 1. Do not force it past 5 or 1, or the speed adjusting function may no longer work.

ASSEMBLY**CAUTION:**

- Always be sure that the tool is switched off and unplugged before carrying out any work on the tool.

Installing or removing the bit (Fig. 6 & 7)**CAUTION:**

- Install the bit securely. Always use only the wrench provided with the tool. A loose or overtightened bit can be dangerous.
- Do not tighten the collet nut without inserting a bit. It can lead to breakage of the collet cone.

Insert the bit all the way into the collet cone. Press the shaft lock to keep the shaft stationary and use the wrench to tighten the collet nut securely.

A 8 mm or 6.35 mm collet cone is factory installed on the tool. When using router bits with other shank diameter, use the correct size collet cone for the bit which you intend to use.

To remove the bit, follow the installation procedure in reverse.

OPERATION

CAUTION:

- Before operation, always make sure that the tool body automatically rises to the upper limit and the bit does not protrude from the tool base when the lock knob is loosened.

Set the tool base on the workpiece to be cut without the bit making any contact. Then turn the tool on and wait until the bit attains full speed. Lower the tool body and move the tool forward over the workpiece surface, keeping the tool base flush and advancing smoothly until the cutting is complete.

When doing edge cutting, the workpiece surface should be on the left side of the bit in the feed direction. **(Fig. 8)**

NOTE:

- Make sure that the dust guide is installed properly.
- Moving the tool forward too fast may cause a poor quality of cut, or damage to the bit or motor. Moving the tool forward too slowly may burn and mar the cut. The proper feed rate will depend on the bit size, the kind of workpiece and depth of cut. Before beginning the cut on the actual workpiece, it is advisable to make a sample cut on a piece of scrap lumber. This will show exactly how the cut will look as well as enable you to check dimensions.
- When using the straight guide, be sure to install it on the right side in the feed direction. This will help to keep it flush with the side of the workpiece. **(Fig. 9)**

Straight guide (Fig. 10, 11 & 12)

The straight guide is effectively used for straight cuts when chamfering or grooving.

To install the straight guide, insert the guide bars into the holes in the tool base. Adjust the distance between the bit and the straight guide. At the desired distance, tighten the lock screw to secure the straight guide in place.

When cutting, move the tool with the straight guide flush with the side of the workpiece.

If the distance between the side of the workpiece and the cutting position is too wide for the straight guide, or if the side of the workpiece is not straight, the straight guide cannot be used. In this case, firmly clamp a straight board to the workpiece and use it as a guide against the router base. Feed the tool in the direction of the arrow.

Templet guide (Accessory) (Fig. 13, 14 & 15)

The templet guide provides a sleeve through which the bit passes, allowing use of the tool with templet patterns. To install the templet guide, loosen the screws on the tool base, insert the templet guide and then tighten the screws.

Secure the templet to the workpiece. Place the tool on the templet and move the tool with the templet guide sliding along the side of the templet.

NOTE:

- The workpiece will be cut a slightly different size from the templet. Allow for the distance (X) between the bit and the outside of the templet guide. The distance (X) can be calculated by using the following equation:
Distance (X) = (outside diameter of the templet guide – bit diameter) / 2

Connecting to Makita vacuum cleaner (Fig. 16)

Cleaner operations can be performed by connecting the tool to Makita vacuum cleaner.

Insert the nozzle assembly and the dust nozzle assembly into the tool. Also, the dust nozzle assembly can be inserted into the tool base directly in accordance with the operation.

When connecting to Makita vacuum cleaner (Model 407), an optional hose 28 mm in inner diameter is necessary.

MAINTENANCE

CAUTION:

- Always be sure that the tool is switched off and unplugged before attempting to perform inspection or maintenance.
- Never use gasoline, benzine, thinner, alcohol or the like. Discoloration, deformation or cracks may result.

Replacing carbon brushes

Remove and check the carbon brushes regularly. Replace when they wear down to the limit mark. Keep the carbon brushes clean and free to slip in the holders. Both carbon brushes should be replaced at the same time. Use only identical carbon brushes. **(Fig. 17)**

Use a screwdriver to remove the brush holder caps. Take out the worn carbon brushes, insert the new ones and secure the brush holder caps. **(Fig. 18)**

To maintain product SAFETY and RELIABILITY, repairs, any other maintenance or adjustment should be performed by Makita Authorized Service Centres, always using Makita replacement parts.

ACCESSORIES

CAUTION:

- These accessories or attachments are recommended for use with your Makita tool specified in this manual. The use of any other accessories or attachments might present a risk of injury to persons. Only use accessory or attachment for its stated purpose.

If you need any assistance for more details regarding these accessories, ask your local Makita Service Center.

- Straight & groove forming bits
- Edge forming bits
- Laminate trimming bits
- Straight guide
- Templet guide 25
- Templet guides
- Lock nut
- Collet cone 3/8", 1/4"
- Collet cone 6 mm, 8 mm
- Wrench 8
- Wrench 17
- Dust nozzle assembly
- Nozzle assembly

Noise

The typical A-weighted noise level determined according to EN60745:

For Model RP0910

Sound pressure level (L_{pA}): 83 dB (A)
 Sound power level (L_{WA}): 94 dB (A)
 Uncertainty (K): 3 dB (A)

For Model RP1110C

Sound pressure level (L_{pA}): 81 dB (A)
 Sound power level (L_{WA}): 92 dB (A)
 Uncertainty (K): 3 dB (A)

Wear ear protection

ENG223-2

Vibration

The vibration total value (tri-axial vector sum) determined according to EN60745:

For Model RP0910

Work mode: cutting grooves in MDF
 Vibration emission (a_h): 8.0 m/s²
 Uncertainty (K): 1.5 m/s²

For Model RP1110C

Work mode: cutting grooves in MDF
 Vibration emission (a_h): 5.0 m/s²
 Uncertainty (K): 1.5 m/s²

ENG901-1

- The declared vibration emission value has been measured in accordance with the standard test method and may be used for comparing one tool with another.
- The declared vibration emission value may also be used in a preliminary assessment of exposure.

WARNING:

- The vibration emission during actual use of the power tool can differ from the declared emission value depending on the ways in which the tool is used.
- Be sure to identify safety measures to protect the operator that are based on an estimation of exposure in the actual conditions of use (taking account of all parts of the operating cycle such as the times when the tool is switched off and when it is running idle in addition to the trigger time).

For European countries only**EC Declaration of Conformity**

We Makita Corporation as the responsible manufacturer declare that the following Makita machine(s):

Designation of Machine:

Router

Electronic Router

Model No./ Type: RP0910, RP1110C

are of series production and

Conforms to the following European Directives:

98/37/EC until 28th December 2009 and then with 2006/42/EC from 29th December 2009

And are manufactured in accordance with the following standards or standardised documents:

EN60745

The technical documentation is kept by our authorized representative in Europe who is:

Makita International Europe Ltd.

Michigan Drive, Tongwell,

Milton Keynes, MK15 8JD, England

30th January 2009





Tomoyasu Kato
Director

Makita Corporation
 3-11-8, Sumiyoshi-cho,
 Anjo, Aichi, JAPAN

Descriptif

1	Bouton de réglage	14	Écrou de mandrin	29	Fraise
2	Tige de butée	15	Clé	30	Base
3	Indicateur de profondeur	16	Blocage de l'arbre	31	Gabarit
4	Écrou de réglage pour la tige du butée	17	Serrer	32	Pièce à travailler
5	Bouton de verrouillage	18	Desserrer	33	Ecart (X)
6	Bouton d'avance rapide	19	Cône de mandrin de bonne dimension	34	Diamètre extérieur du guide à copier
7	Boulon de réglage à six pans creux	20	Pièce à travailler	35	Ensemble éjecteur
8	Butoir	21	Sens de rotation de la fraise	36	Ensemble de raccord d'aspiration
9	Écrou de nylon	22	Sens d'alimentation	37	Repère d'usure
10	Écrou hexagonal	23	Vue du haut de l'outil	38	Bouchon du porte-charbon
11	Bouton de verrouillage	24	Guide de coupe rectiligne	39	Tournevis
12	Gâchette	25	Vis de verrouillage		
13	Cadran de réglage de la vitesse	26	Face de guidage		
		27	Guide de gabarit		
		28	Vis		

SPECIFICATIONS

Modèle	RP0910	RP1110C
Capacité max. du mandrin	8 mm ou 1/4"	8 mm ou 1/4"
Capacité de plongée	0 – 57 mm	0 – 57 mm
Vitesse à vide (min ⁻¹)	27 000	8 000 – 24 000
Hauteur total	260 mm	260 mm
Poids net	3,3 kg	3,4 kg
Niveau de sécurité	 /II	 /II

- Etant donné l'évolution constante de notre programme de recherche et de développement, les spécifications contenues dans ce manuel sont sujettes à modification sans préavis.
- Les spécifications peuvent varier suivant les pays.
- Poids selon la procédure EPTA 01/2003

Utilisations

L'outil est conçu pour l'affleurage et le profilage du bois, du plastique et autres matériaux similaires.

Alimentation

L'outil ne devra être raccordé qu'à une alimentation de la même tension que celle qui figure sur la plaque signalétique, et il ne pourra fonctionner que sur un courant secteur monophasé. Réalisé avec une double isolation, il est conforme à la réglementation européenne et peut de ce fait être alimenté sans mise à la terre.

GEA010-1

Consignes de sécurité générales pour outils électriques

⚠ MISE EN GARDE Veuillez lire toutes les mises en garde et toutes les instructions. Il y a risque de choc électrique, d'incendie et/ou de blessure grave si les mises en garde et les instructions ne sont pas respectées.

Conservez toutes les mises en garde et instructions pour référence ultérieure.

GEB018-2

CONSIGNES DE SÉCURITÉ POUR DÉFONCEUSE

1. **Saisissez les outils électriques par leurs surfaces de poigne isolées lorsque vous effectuez une opération au cours de laquelle l'outil tranchant peut entrer en contact avec des fils cachés ou avec son propre cordon d'alimentation.** Le contact avec un fil sous tension mettra les parties métalliques exposées de l'outil sous tension, causant un choc électrique chez l'utilisateur.
2. **Utilisez des dispositifs de serrage ou un autre moyen pratique pour fixer et soutenir la pièce sur une surface stable.** Si vous la tenez avec la main ou l'appuyez contre une partie du corps, la pièce sera instable et vous risquez d'en perdre la maîtrise.
3. **Portez une protection d'oreilles quand vous devez travailler longuement.**
4. **Maniez les fraises avec soin.**
5. **Avant de travailler, vérifiez soigneusement que les fraises ne sont ni fêlées ni endommagées ; si tel est le cas, remplacez-les immédiatement.**
6. **Attention aux clous.** Avant d'utiliser l'outil, inspectez la pièce et retirez-les tous.
7. **Tenez votre outil fermement à deux mains.**
8. **Gardez les mains éloignées des pièces en mouvement.**
9. **Assurez-vous que la fraise ne touche pas la pièce à travailler avant que le contact ne soit mis.**
10. **Avant de commencer à travailler, laissez tourner l'outil à vide un instant ; assurez-vous qu'il n'y a ni vibration ni ballonnement, ce qui indiquerait une fraise mal fixée.**

11. Vérifiez toujours le sens de rotation de la fraise et le sens de déplacement de l'outil.
12. Ne laissez pas tourner l'outil non tenu. Ne le mettez en marche qu'une fois bien en mains.
13. Avant de retirer l'outil de la pièce à travailler, coupez toujours le contact et attendez que la fraise soit complètement arrêtée.
14. Ne touchez pas la fraise immédiatement après son arrêt ; elle peut être extrêmement chaude et pourrait vous brûler.
15. Veillez à maintenir le bâti-support à l'écart des diluants, des hydrocarbures et des huiles : le contact avec ces produits peut provoquer des fissures ou des déformations.
16. Attirez l'attention sur la nécessité d'utiliser des fraises ayant le diamètre de queue voulu et adaptées à la vitesse de l'outil.
17. Certains matériaux contiennent des produits chimiques qui peuvent être toxiques. Prenez les précautions nécessaires pour éviter que la poussière dégageée lors du travail ne soit inhalée ou n'entre en contact avec la peau. Suivez les consignes de sécurité du fournisseur du matériau.
18. Utilisez toujours un masque antipoussières ou un masque filtrant approprié au matériau à travailler et à l'outil utilisé.

CONSERVEZ CES INSTRUCTIONS.

AVERTISSEMENT :

NE vous laissez PAS tromper (avec l'usage répété) par un sentiment de confort ou de familiarité avec l'outil, au point de ne pas respecter rigoureusement les consignes de sécurité qui accompagnent l'outil. La MAUVAISE UTILISATION de l'outil ou l'ignorance des consignes de sécurité indiquées dans ce manuel d'instructions peut entraîner une blessure grave.

DESCRIPTION DU FONCTIONNEMENT

ATTENTION :

- Assurez-vous toujours que l'outil est hors tension et débranché avant de l'ajuster ou de vérifier son fonctionnement.

Réglage de la profondeur de coupe (Fig. 1)

Placez l'outil sur une surface plane. Desserrez le bouton de verrouillage et abaissez le bâti de l'outil jusqu'à ce que la fraise touche la surface plane. Serrez le bouton de verrouillage pour verrouiller le bâti de l'outil.

Tournez l'écrou de réglage pour la tige du butée dans le sens inverse des aiguilles d'une montre. Abaissez la tige de butée jusqu'à ce qu'elle entre en contact avec le bouton de réglage. Alignez l'indicateur de profondeur avec la graduation "0". La profondeur de coupe est indiquée sur l'échelle graduée par l'indicateur de profondeur.

En appuyant sur le bouton d'avance rapide, élevez la tige de butée jusqu'à l'obtention de la profondeur de coupe désirée. Un réglage précis de la profondeur peut être obtenu en tournant le bouton de réglage (1 mm par tour).

En faisant tourner l'écrou de réglage pour la tige du butée dans le sens des aiguilles d'une montre, vous pouvez fixer la tige de butée fermement.

Votre profondeur de coupe préétablie peut maintenant être obtenue en desserrant le bouton de verrouillage puis en abaissant le bâti de l'outil jusqu'à ce que la tige de butée entre en contact avec le bouton de réglage du butoir.

Écrou de nylon (Fig. 2)

En tournant l'écrou de nylon, la limite supérieure de l'outil peut être ajustée. Lorsque le bout de la fraise est rétracté plus que nécessaire par rapport à la surface plane de la base, tournez l'écrou de nylon pour abaisser la limite supérieure.

ATTENTION :

- Puisqu'une coupe excessive peut entraîner une surcharge du moteur ou rendre l'outil difficile à commander, la profondeur de coupe ne doit pas être supérieure à 15 mm par passage lors du rainurage avec une fraise d'un diamètre de 8 mm.
- Lors du rainurage avec une fraise d'un diamètre de 20 mm, la profondeur de coupe ne doit pas être supérieure à 5 mm par passage.
- Pour le rainurage extrêmement profond, effectuez deux ou trois passages avec des réglages de fraise de plus en plus profonds.
- N'abaissez pas trop l'écrou de nylon, afin d'éviter que la fraise ne dépasse dangereusement.

Butoir (Fig. 3)

Le butoir comporte trois boulons de réglage à six pans creux qui montent ou baissent de 0,8 mm par tour. Vous pouvez facilement obtenir trois différentes profondeurs de coupe en utilisant ces boulons de réglage à six pans creux, sans réajuster la tige de butée.

Ajustez le boulon à six pans creux le plus bas pour obtenir la plus grande profondeur de coupe, en suivant la méthode décrite sous "Réglage de la profondeur de coupe". Ajustez les deux autres boulons à six pans creux pour obtenir de moins grandes profondeurs de coupe. Les différences de hauteur entre ces boulons sont égales aux différences de profondeur de coupe.

Pour ajuster les boulons, desserrez d'abord les écrous hexagonaux des boulons à six pans creux à l'aide d'une clé, puis tournez les boulons. Une fois obtenue la position désirée, serrez les écrous hexagonaux tout en maintenant les boulons dans cette position. Le butoir est également pratique pour effectuer trois passages avec des réglages de fraise de plus en plus profonds, lors des rainurages profonds.

Interrupteur (Fig. 4)

ATTENTION :

- Avant de brancher l'outil, vérifiez toujours que la gâchette fonctionne correctement et qu'elle revient en position d'arrêt une fois relâchée.
- Assurez-vous que le blocage de l'arbre est désengagé avant d'allumer l'interrupteur.

Pour démarrer l'outil, appuyez sur le bouton de verrouillage puis tirez sur la gâchette. Pour arrêter, relâchez la gâchette.

Pour un fonctionnement continu, tirez sur la gâchette puis enfoncez davantage le bouton de verrouillage. Pour arrêter l'outil, tirez sur la gâchette afin que le bouton de verrouillage revienne automatiquement en position. Puis relâchez la gâchette.

Après relâchement de la gâchette, le bouton de verrouillage empêche la gâchette d'être tirée.

Cadran de réglage de la vitesse (Fig. 5)

Pour RP1110C

Vous pouvez changer la vitesse de l'outil en tournant le cadran de réglage de la vitesse sur un numéro de 1 à 5. Une vitesse plus grande est obtenue en tournant le cadran vers le numéro 5, et une vitesse moins grande en le tournant vers le numéro 1.

Ceci permet la sélection de la vitesse idéale pour un traitement optimal du matériau; autrement dit, la vitesse peut être correctement ajustée en fonction du matériau et du diamètre de la fraise.

Référez-vous au tableau pour la relation entre les réglages des numéros du cadran et la vitesse approximative l'outil.

Numéro	min^{-1}
1	8 000
2	12 000
3	16 000
4	20 000
5	24 000

ATTENTION :

- Le cadran de réglage de la vitesse ne peut être tourné que jusqu'à 5 et 1. Ne le forcez pas au-delà de 5 et 1, au risque de briser le mécanisme de réglage de la vitesse.

ASSEMBLAGE

ATTENTION :

- Avant d'effectuer toute intervention sur l'outil, assurez-vous toujours qu'il est hors tension et débranché.

Installation ou retrait de la fraise (Fig. 6 et 7)

ATTENTION :

- Installez la fraise fermement. Utilisez toujours exclusivement la clé fournie avec l'outil. Une fraise pas assez ou trop serrée peut être dangereuse.
- Ne serrez pas l'écrou de mandrin sans avoir d'abord inséré une fraise. Autrement vous risqueriez de casser le cône de mandrin.

Insérez la fraise à fond dans le cône de mandrin. Appuyez sur le blocage de l'arbre pour garder l'arbre immobile, et utilisez la clé pour serrer l'écrou de mandrin fermement.

Un cône de mandrin de 8 mm ou de 6,35 mm est installé sur l'outil en usine. Lors de l'utilisation de fraises de défonceuse d'un diamètre différent, utilisez le cône de mandrin de la bonne dimension suivant la fraise à utiliser. Pour retirer la fraise, suivez la procédure d'installation en sens inverse.

AFFLEURAGE

ATTENTION :

- Avant l'utilisation, assurez-vous toujours que le corps de l'outil s'élève automatiquement jusqu'à la limite supérieure et que la fraise ne dépasse pas la base de l'outil lorsque le bouton de verrouillage est desserré.

Posez la base de l'outil sur la pièce à travailler, sans que la fraise ne touche quoi que ce soit. Mettez ensuite le contact et attendez que la fraise ait atteint sa pleine vitesse. Abaissez le bâti de l'outil et déplacez l'outil vers l'avant sur la pièce à travailler, en maintenant la base alignée et en progressant doucement jusqu'à la fin de la coupe.

Pour l'effleurage de bord, la surface de la pièce à travailler doit se trouver sur la gauche de la fraise dans le sens d'alimentation. (Fig. 8)

NOTE :

- Assurez-vous que le guide à poussière est correctement installé.
- Si vous déplacez trop rapidement l'outil vers l'avant, votre entaille risque d'être inégale et vous pouvez endommager la fraise ou le moteur. Si vous le déplacez trop lentement, vous pouvez brûler ou gâter l'entaille. La vitesse correcte dépend de la dimension de la fraise, de la nature de la pièce et de la profondeur de coupe. Avant de commencer, nous vous conseillons donc de faire un essai sur un morceau de rebut. Cela vous montrera l'allure exacte qu'aura votre entaille et vous permettra de bien vérifier les dimensions de celle-ci.
- Lorsque vous vous servez du guide de coupe rectiligne, veillez à bien l'installer du côté droit de l'outil dans le sens d'alimentation. Vous pourrez ainsi le maintenir parfaitement contre la pièce. (Fig. 9)

Guide de coupe rectiligne (Fig. 10, 11 et 12)

Le guide de coupe rectiligne est efficace pour obtenir des coupes droites quand vous chanfreinez ou rainez.

Pour installer le guide de coupe rectiligne, insérez les tiges du guide dans les orifices de la base de l'outil. Réglez ensuite la distance entre la fraise et le guide. A la distance désirée, serrez la vis de verrouillage pour fixer le guide de coupe rectiligne en place.

Quand vous coupez, déplacez l'outil avec le guide de coupe rectiligne bien aligné sur le côté de la pièce.

Si la distance entre le côté de la pièce et la position de coupe est trop large pour le guide de coupe rectiligne, ou si le côté de la pièce n'est pas rectiligne, le guide de coupe rectiligne ne peut pas être utilisé. Dans ce cas, fixez fermement une planche droite sur la pièce à travailler et utilisez-la comme guide d'appui pour la base de la défonceuse. Faites avancer l'outil dans le sens de la flèche.

Guide de gabarit (Accessoire) (Fig. 13, 14 et 15)

Le guide de gabarit fournit un manchon au travers duquel passe la fraise, ce qui permet d'utiliser l'outil avec des motifs de gabarit.

Pour poser le guide de gabarit, desserrez les vis sur la base de l'outil, insérez le guide de gabarit, puis serrez les vis.

Fixez ensuite le gabarit sur la pièce à travailler. Placez l'outil sur le gabarit et déplacez l'outil avec le guide de gabarit glissant le long du gabarit.

NOTE :

- La pièce à travailler sera coupée à une taille légèrement différente du gabarit. Laissez une distance (X) entre la fraise et l'extérieur du guide à copier. L'équation suivante permet de calculer la distance (X) :
Ecart (X) = (diamètre extérieur du guide à copier – diamètre de la fraise) / 2

Raccordement à un aspirateur Makita (Fig. 16)

Les travaux de nettoyage peuvent être effectués en raccordant la défonceuse à un aspirateur Makita.

Insérez l'ensemble d'éjecteur et l'ensemble de raccord d'aspiration dans l'outil. L'ensemble de raccord d'aspiration peut également être inséré directement dans la base de l'outil, selon le travail effectué.

Pour le raccordement à un aspirateur Makita (Modèle 407), un tuyau en option de 28 mm de diamètre interne est nécessaire.

ENTRETIEN

ATTENTION :

- Assurez-vous toujours que l'outil est hors tension et débranché avant d'y effectuer tout travail d'inspection ou d'entretien.
- N'utilisez jamais d'essence, benzine, diluant, alcool ou autre produit similaire. Cela risquerait de provoquer la décoloration, la déformation ou la fissuration de l'outil.

Remplacement des charbons

Retirez et vérifiez régulièrement les charbons. Remplacez-les lorsqu'ils sont usés jusqu'au trait de limite d'usure. Maintenez les charbons propres et en état de glisser aisément dans les porte-charbon. Les deux charbons doivent être remplacés en même temps. N'utilisez que des charbons identiques. (Fig. 17)

Retirez les bouchons de porte-charbon à l'aide d'un tournevis. Enlevez les charbons usés, insérez-en de nouveaux et revissez solidement les bouchons de porte-charbon. (Fig. 18)

Pour maintenir la SÉCURITÉ et la FIABILITÉ du produit, les réparations, travaux d'entretien et autres réglages doivent être effectués dans un centre de service Makita agréé ou un centre de service de l'usine Makita, exclusivement avec des pièces de rechange Makita.

ACCESSOIRES

ATTENTION :

- Les accessoires ou pièces supplémentaires qui suivent sont recommandés pour l'utilisation avec l'outil Makita spécifié dans ce manuel. L'utilisation de tout autre accessoire ou pièce supplémentaire peut comporter un risque de blessure. Utilisez uniquement l'accessoire ou la pièce supplémentaire dans le but spécifié.

Pour obtenir plus de détails sur ces accessoires, contactez votre Centre d'Entretien local Makita.

- Fraises pour coupes rectilignes et rainures
- Fraises pour coupes en bordure
- Fraises pour dressage de contreplaqué
- Guide rectiligne
- Guide de gabarit 25
- Guides de gabarit
- Contre-écrou
- Cône de mandrin 3/8", 1/4"
- Cône de mandrin 6 mm, 8 mm
- Clé 8
- Clé 17
- Ensemble de raccord d'aspiration
- Ensemble éjecteur

ENG102-3

Bruit

Niveau de bruit pondéré A typique, déterminé selon EN60745 :

Pour le modèle RP0910

Niveau de pression sonore (L_{pA}) : 83 dB (A)
Niveau de puissance sonore (L_{WA}) : 94 dB (A)
Incertitude (K) : 3 dB (A)

Pour le modèle RP110C

Niveau de pression sonore (L_{pA}) : 81 dB (A)
Niveau de puissance sonore (L_{WA}) : 92 dB (A)
Incertitude (K) : 3 dB (A)

Porter des protecteurs anti-bruit

ENG223-2

Vibrations

Valeur totale de vibrations (somme de vecteur triaxial) déterminée selon EN60745 :

Pour le modèle RP0910

Mode de travail : rainurage dans le MDF
Émission de vibrations (a_{rh}) : 8,0 m/s²
Incertitude (K) : 1,5 m/s²

Pour le modèle RP110C

Mode de travail : rainurage dans le MDF
Émission de vibrations (a_{rh}) : 5,0 m/s²
Incertitude (K) : 1,5 m/s²

ENG901-1

- La valeur d'émission de vibrations déclarée a été mesurée conformément à la méthode de test standard et peut être utilisée pour comparer les outils entre eux.
- La valeur d'émission de vibrations déclarée peut aussi être utilisée pour l'évaluation préliminaire de l'exposition.

AVERTISSEMENT :

- L'émission de vibrations lors de l'usage réel de l'outil électrique peut être différente de la valeur d'émission déclarée, suivant la façon dont l'outil est utilisé.
- Les mesures de sécurité à prendre pour protéger l'utilisateur doivent être basées sur une estimation de l'exposition dans des conditions réelles d'utilisation (en tenant compte de toutes les composantes du cycle d'utilisation, comme par exemple le moment de sa mise hors tension, lorsqu'il tourne à vide et le moment de son déclenchement).

ENH101-13

Pour les pays d'Europe uniquement

Déclaration de conformité CE

Makita Corporation, en tant que fabricant responsable, déclare que la ou les machines suivantes :

Désignation de la machine :

Défonceuse

Défonceuse Electronique

N° de modèle / Type : RP0910, RP1110C

sont produites en série et

sont conformes aux Directives européennes suivantes :

98/37/CE jusqu'au 28 décembre 2009, puis 2006/

42/CE à compter du 29 décembre 2009

et qu'elles sont fabriquées conformément aux normes ou documents normalisés suivants :

EN60745

La documentation technique est conservée par notre représentant agréé en Europe, à savoir :

Makita International Europe Ltd.

Michigan Drive, Tongwell,

Milton Keynes, MK15 8JD, Angleterre

30 janvier 2009



Tomoyasu Kato



Directeur

Makita Corporation
3-11-8, Sumiyoshi-cho,
Anjo, Aichi, JAPAN

Übersicht

1 Einstellknopf	15 Schraubenschlüssel	28 Schraube
2 Anschlagstange	16 Spindelarretierung	29 Fräser
3 Tiefenzeiger	17 Anziehen	30 Gleitschuh
4 Anschlagstangen- Feststellmutter	18 Lösen	31 Schablone
5 Feststellknopf	19 Spannzangenkonus der korrekten Größe	32 Werkstück
6 Schnellvorschubknopf	20 Werkstück	33 Schablonenüberstand (X)
7 Sechskant-Einstellschraube	21 Fräserdrehrichtung	34 Außendurchmesser Führungs- hülse
8 Anschlagblock	22 Vorschubrichtung	35 Absaugrohr
9 Nylonmutter	23 Ansicht von Werkzeug- Oberseite	36 Absaugstutzen
10 Sechskantmutter	24 Parallelanschlag	37 Verschleißgrenze
11 Arretierknopf	25 Feststellschraube	38 Bürstenhalterkappe
12 Ein-Aus-Schalter	26 Führungskante	39 Schraubendreher
13 Drehzahl-Stellrad	27 Kopierhülse	

TECHNISCHE DATEN

Modell	RP0910	RP1110C
Max. Spannzangenkapazität	8 mm oder 1/4"	8 mm oder 1/4"
Hubhöhe	0 – 57 mm	0 – 57 mm
Leerlaufdrehzahl (min ⁻¹)	27 000	8 000 – 24 000
Gesamthöhe	260 mm	260 mm
Nettogewicht	3,3 kg	3,4 kg
Sicherheitsklasse	 /II	 /II

- Wir behalten uns vor, Änderungen im Zuge der Entwicklung und des technischen Fortschritts ohne vorherige Ankündigung vorzunehmen.
- Die technischen Daten können von Land zu Land abweichen.
- Gewicht nach EPTA-Verfahren 01/2003

Vorgesehene Verwendung


Die Maschine ist für Glattschneiden und Profilfräsen von Holz, Kunststoff und ähnlichen Materialien vorgesehen.

Netzanschluß

Die Maschine darf nur an die auf dem Typenschild angegebene Netzspannung angeschlossen werden und arbeitet nur mit Einphasen-Wechselspannung. Sie ist entsprechend den Europäischen Richtlinien doppelt schutzisoliert und kann daher auch an Steckdosen ohne Erdanschluß betrieben werden.

GEA010-1

Allgemeine Sicherheitswarnungen für Elektrowerkzeuge

 **WARNUNG** Lesen Sie alle Sicherheitswarnungen und Anweisungen durch. Eine Missachtung der unten aufgeführten Warnungen und Anweisungen kann zu einem elektrischen Schlag, Brand und/oder schweren Verletzungen führen.

Bewahren Sie alle Warnungen und Anweisungen für spätere Bezugnahme auf.

GEB018-2

SICHERHEITSWARNUNGEN FÜR OBERFRÄSE

1. Halten Sie Elektrowerkzeuge nur an den isolierten Griffflächen, wenn Sie Arbeiten ausführen, bei denen die Gefahr besteht, dass verborgene Kabel oder das eigene Kabel kontaktiert werden. Bei Kontakt mit einem stromführenden Kabel werden die freiliegenden Metallteile der Maschine ebenfalls stromführend, so dass der Benutzer einen elektrischen Schlag erleiden kann.
2. Verwenden Sie Klemmen oder eine andere praktische Methode, um das Werkstück auf einer stabilen Unterlage zu sichern und abzustützen. Wenn Sie das Werkstück nur von Hand oder gegen Ihren Körper halten, befindet es sich in einer instabilen Lage, die zum Verlust der Kontrolle führen kann.
3. Tragen Sie bei längerem Arbeiten mit der Fräse einen Gehörschutz.
4. Behandeln Sie den Fräser sorgfältig.
5. Überprüfen Sie den Fräser vor Gebrauch sorgfältig auf Risse oder Beschädigung. Tauschen Sie gerissene oder beschädigte Fräser sofort aus.
6. Achten Sie auf eventuell vorhandene Nägel oder Fremdkörper. Das Werkstück vor Beginn der Arbeit auf Fremdkörper untersuchen und diese gegebenenfalls entfernen.
7. Halten Sie die Maschine mit beiden Händen fest.
8. Halten Sie die Hände von den sich bewegenden Teilen der Maschine fern.
9. Das Gerät nicht einschalten, wenn der Fräser das Werkstück berührt.

10. Vor dem Ansetzen auf das zu bearbeitende Werkstück, die Fräse einige Zeit ohne Last laufen lassen. Wird ein Vibrieren oder unrunder Lauf festgestellt, prüfen Sie, ob der Fräser sachgemäß eingesetzt wurde oder beschädigt ist.
11. Achten Sie auf Drehrichtung und Vorschubrichtung.
12. Die Maschine nicht im eingeschalteten Zustand aus der Hand legen. Die Benutzung ist nur in handgehaltener Weise vorgesehen.
13. Die Fräse erst dann vom Werkstück abnehmen, nachdem die Maschine abgeschaltet wurde und der Fräser zum Stillstand gekommen ist.
14. Berühren Sie den Fräser nicht unmittelbar nach dem Gebrauch; da er sehr heiß ist und Hautverbrennungen verursachen kann.
15. Die Kunststoffteile der Maschine nicht mit Lösungsmitteln, Benzin oder Öl in Kontakt bringen. Risse oder Versprödung können dadurch verursacht werden.
16. Machen Sie auf die Notwendigkeit aufmerksam, Fräser mit korrektem Schaftdurchmesser zu verwenden, die für die Drehzahl der Maschine geeignet sind.
17. Manche Materialien können giftige Chemikalien enthalten. Treffen Sie Vorsichtsmaßnahmen, um das Einatmen von Arbeitsstaub und Hautkontakt zu verhüten. Befolgen Sie die Sicherheitsdaten des Materialherstellers.
18. Verwenden Sie stets die korrekte Staubschutz- oder Atemmaske für das jeweilige Material und die Anwendung.

BEWAHREN SIE DIESE HINWEISE SORGFÄLTIG AUF.

WARNUNG:

Lassen Sie sich **NICHT** durch Bequemlichkeit oder Vertrautheit mit dem Produkt (durch wiederholten Gebrauch erworben) von der strikten Einhaltung der Sicherheitsregeln für das vorliegende Produkt abhalten. **MISSBRAUCH** oder Missachtung der Sicherheitsvorschriften in dieser Anleitung können schwere Verletzungen verursachen.

FUNKTIONSBESCHREIBUNG

VORSICHT:

- Vergewissern Sie sich vor jeder Einstellung oder Funktionsprüfung der Maschine stets, dass sie ausgeschaltet und vom Stromnetz getrennt ist.

Einstellen der Schnitttiefe (Abb. 1)

Das Werkzeug auf eine ebene Fläche stellen. Den Feststellknopf lösen, und den Werkzeugkörper absenken, bis der Fräser die Stellfläche leicht berührt. Den Werkzeugkörper durch Anziehen des Feststellknopfes arretieren. Drehen Sie die Anschlagstangen-Feststellmutter entgegen dem Uhrzeigersinn. Die Anschlagstange absenken, bis sie mit der Einstellschraube in Berührung kommt. Den Tiefenzeiger auf den Skalenstrich "0" ausrichten. Die Schnitttiefe wird durch den Tiefenzeiger auf der Skala angezeigt.

Die Anschlagstange bei gedrücktem Schnellvorschubknopf anheben, bis die gewünschte Schnitttiefe erreicht ist. Eine Feineinstellung kann durch Drehen des Einstellknopfes vorgenommen werden (1 mm pro Umdrehung).

Durch Drehen der Anschlagstangen-Feststellmutter im Uhrzeigersinn kann die Anschlagstange sicher arretiert werden.

Nun kann die voreingestellte Schnitttiefe erreicht werden, indem der Feststellknopf gelöst und der Werkzeugkörper abgesenkt wird, bis die Anschlagstange mit der Einstellschraube des Anschlagblocks in Berührung kommt.

Nylonmutter (Abb. 2)

Durch Drehen der Nylonmutter kann die Obergrenze des Werkzeugkörpers eingestellt werden. Wenn die Spitze des Fräfers in Bezug auf die Führungsschuhfläche weiter eingezogen wird als erforderlich, kann die Obergrenze durch Drehen der Nylonmutter abgesenkt werden.

VORSICHT:

- Da eine übermäßige Schnitttiefe eine Überlastung des Motors oder schlechte Kontrolle des Werkzeugs verursachen kann, sollte die Schnitttiefe nicht mehr als 15 mm pro Durchgang betragen, wenn Nuten mit einem 8-mm-Fräser gefräst werden.
- Wenn Nuten mit einem 20-mm-Fräser gefräst werden, sollte die Schnitttiefe nicht mehr als 5 mm pro Durchgang betragen.
- Um besonders tiefe Nuten zu fräsen, sind zwei oder drei Durchgänge mit zunehmender Schnitttiefe durchzuführen.
- Senken Sie die Nylonmutter nicht zu weit ab, weil sonst der Fräser gefährlich weit übersteht.

Anschlagblock (Abb. 3)

Der Anschlagblock besitzt drei Sechskant-Einstellschrauben, die den Block um 0,8 mm pro Umdrehung anheben bzw. absenken. Mit diesen Sechskant-Einstellschrauben können drei verschiedene Schnitttiefen bequem eingestellt werden, ohne die Anschlagstange zu verstellen.

Stellen Sie die unterste Sechskantschraube nach der Methode "Einstellen der Schnitttiefe" ein, um die tiefste Schnitttiefe zu erhalten. Die übrigen zwei Sechskantschrauben zur Einstellung geringerer Schnitttiefen verwenden. Die Höhenunterschiede dieser Sechskantschrauben entsprechen den unterschiedlichen Schnitttiefen.

Zum Einstellen der Sechskantschrauben zuerst die Sechskantmutter der Schrauben mit dem Schraubenschlüssel lösen, und dann die Sechskantschrauben drehen. Nach Erreichen der gewünschten Position die Sechskantmutter anziehen, während die Sechskantschrauben in dieser Position gehalten werden. Der Anschlagblock ist auch praktisch, um tiefe Nuten in drei Durchgängen mit zunehmend größerer Schnitttiefen-Einstellung zu fräsen.

Schalterbedienung (Abb. 4)

VORSICHT:

- Vergewissern Sie sich vor dem Anschließen des Werkzeugs an das Stromnetz stets, dass der Ein-Aus-Schalter ordnungsgemäß funktioniert und beim Loslassen in die AUS-Stellung zurückkehrt.
- Vergewissern Sie sich vor dem Einschalten des Werkzeugs, dass die Spindelarretierung freigegeben ist.

Zum Starten des Werkzeugs den Ein-Aus-Schalter bei gedrücktem Arretierknopf betätigen. Zum Anhalten den Ein-Aus-Schalter loslassen.

Für Dauerbetrieb den Ein-Aus-Schalter betätigen, und dann den Arretierknopf weiter hineindrücken. Zum Anhalten des Werkzeugs den Ein-Aus-Schalter betätigen, so dass der Arretierknopf automatisch herauspringt. Dann den Ein-Aus-Schalter loslassen.

Nach dem Loslassen des Ein-Aus-Schalters verhindert die Einschaltsperrle eine ungewollte Betätigung des Ein-Aus-Schalters.

Drehzahl-Stellrad (Abb. 5)

Für RP1110C

Die Drehzahl kann durch Drehen des Drehzahl-Stellrads auf eine der Stufen von 1 bis 5 geändert werden.

Durch Drehen des Stellrads in Richtung der Nummer 5 wird die Drehzahl erhöht, während sie durch Drehen in Richtung 1 verringert wird.

Dies gestattet die Wahl der idealen Drehzahl für eine optimale Materialbearbeitung, d.h. die Drehzahl kann auf einen für Material und Fräserdurchmesser optimalen Wert eingestellt werden.

Die ungefähren Drehzahlen für die einzelnen Stellrad-Positionen sind aus der Tabelle ersichtlich.

Position	min ⁻¹
1	8 000
2	12 000
3	16 000
4	20 000
5	24 000

VORSICHT:

- Das Drehzahl-Stellrad lässt sich nur bis 5 und zurück auf 1 drehen. Wird es gewaltsam über 5 oder 1 hinaus gedreht, lässt sich die Drehzahl möglicherweise nicht mehr einstellen.

MONTAGE

VORSICHT:

- Vergewissern Sie sich vor der Ausführung von Arbeiten an der Maschine stets, dass sie ausgeschaltet und vom Stromnetz getrennt ist.

Montage und Demontage des Fräasers (Abb. 6 und 7)

VORSICHT:

- Installieren Sie den Fräser sicher. Verwenden Sie stets nur den mit der Maschine gelieferten Schraubenschlüssel. Ein loser oder zu fest angezogener Fräser kann gefährlich sein.
- Ziehen Sie die Spannzangenmutter nicht ohne eingefügten Fräser an. Dies kann dazu führen, dass der Spannzangenkonus bricht.

Führen Sie den Fräser bis zum Anschlag in den Spannzangenkonus ein. Drücken Sie die Spindelarretierung, um die Spindel stationär zu halten, und ziehen Sie die Spannzangenmutter mit dem Schraubenschlüssel fest.

Ein Spannzangenkonus von 8 mm oder 6,35 mm ist werkseitig an der Maschine montiert. Wenn Sie Oberfräseneinsätze mit anderem Schaftdurchmesser verwenden, wählen Sie einen Spannzangenkonus der korrekten Größe für den beabsichtigten Fräser aus.

Zum Demontieren des Fräasers das Montageverfahren umgekehrt anwenden.

BETRIEB

VORSICHT:

- Vergewissern Sie sich vor dem Betrieb stets, dass sich der Maschinenkörper automatisch bis zur Obergrenze hebt und der Fräser nicht von der Grundplatte übersteht, wenn der Feststellknopf gelöst wird.

Den Gleitschuh auf das zu schneidende Werkstück aufsetzen, ohne dass der Fräser irgendwelchen Kontakt hat. Dann das Werkzeug einschalten und warten, bis der Fräser die volle Drehzahl erreicht. Den Werkzeugkörper absenken und das Werkzeug gleichmäßig und mit flach aufliegendem Gleitschuh über die Werkstück-Oberfläche vorschieben, bis der Schnitt vollendet ist.

Beim Kantenfräsen sollte sich die Werkstück-Oberfläche links vom Fräser in Vorschubrichtung befinden. (Abb. 8)

HINWEIS:

- Achten Sie darauf, dass der Absaugstutzen korrekt installiert ist.
- Eine zu hohe Vorschubgeschwindigkeit des Werkzeugs kann schlechte Schnittqualität oder Beschädigung von Fräser oder Motor zur Folge haben. Eine zu geringe Vorschubgeschwindigkeit kann Verbrennung und Verunstaltung des Schnitts zur Folge haben. Die korrekte Vorschubgeschwindigkeit hängt von der Fräsergröße, der Art des Werkstücks und der Schnitttiefe ab. Bevor Sie den Schnitt am eigentlichen Werkstück ausführen, ist es ratsam, einen Probeschneid an einem Stück Abfallholz durchzuführen. Dadurch erhalten Sie eine genaue Vorstellung vom Aussehen des Schnitts, und Sie haben die Möglichkeit, die Maße zu prüfen.
- Wenn Sie den Parallelanschlag verwenden, montieren Sie ihn auf der rechten Seite in Vorschubrichtung. Dadurch ist gewährleistet, dass er bündig an der Werkstückkante anliegt. (Abb. 9)

Parallelanschlag (Abb. 10, 11 und 12)

Der Parallelanschlag ist praktisch zur Ausführung gerader Schnitte beim Anfasen oder Auskehlen.

Zum Montieren des Parallelanschlags die Führungsstangen in die Löcher im Gleitschuh einführen. Den Abstand zwischen Fräser und Parallelanschlag einstellen. Beim gewünschten Abstand die Feststellschraube anziehen, um den Parallelanschlag zu arretieren.

Führen Sie die Maschine beim Fräsen so, dass der Parallelanschlag bündig an der Werkstückkante anliegt.

Falls der Abstand zwischen der Werkstückkante und der Schneidposition zu groß für den Parallelanschlag ist, oder falls der Werkstückkante nicht gerade ist, kann der Parallelanschlag nicht benutzt werden. In diesem Fall kann ein gerades Brett gegen das Werkstück geklemmt und als Führung für den Gleitschuh verwendet werden. Schieben Sie die Maschine in Pfeilrichtung vor.

Kopierhülse (Zubehör) (Abb. 13, 14 und 15)

Die Schablonenführung weist eine Hülse auf, durch die der Fräser hindurchgeht, sodass die Maschine mit Schablonenmustern verwendet werden kann.

Zum Installieren der Kopierhülse die Schrauben an der Grundplatte lösen, die Kopierhülse einsetzen, und die Schrauben festziehen.

Die Schablone am Werkstück befestigen. Das Werkzeug auf die Schablone setzen und so führen, dass die Kopierhülse an der Kante der Schablone entlangleitet.

HINWEIS:

- Das Werkstück wird auf eine geringfügig andere Größe als die Schablone zugeschnitten. Halten Sie einen Abstand (X) zwischen dem Fräser und der Außenseite Führungshülse ein. Der Abstand (X) kann mit der folgenden Gleichung berechnet werden:
Schablonenüberstand (X) = (Außendurchmesser Führungshülse – Fräserdurchmesser) / 2

Anschluss eines Makita-Staubsaugers (Abb. 16)

Der Anschluss eines Makita-Staubsaugers an der Maschine gestattet saubereres Arbeiten.

Das Absaugrohr und den Absaugstutzen an der Maschine anbringen. Je nach Art der Arbeit kann der Absaugstutzen auch direkt am Gleitschuh der Oberfräse angeschlossen werden.

Zum Anschluss an einen Makita-Staubsauger (Modell 407) wird ein gesonderter Schlauch von 28 mm Innendurchmesser benötigt.

WARTUNG

VORSICHT:

- Denken Sie vor der Durchführung von Überprüfungen oder Wartungsarbeiten stets daran, die Maschine auszuschalten und vom Stromnetz zu trennen.
- Verwenden Sie auf keinen Fall Benzin, Benzol, Verdünnern, Alkohol oder dergleichen. Solche Mittel können Verfärbung, Verformung oder Rissbildung verursachen.

Kohlebürsten wechseln

Die Kohlebürsten müssen regelmäßig entfernt und überprüft werden. Wenn sie bis zur Verschleißgrenze abgenutzt sind, müssen sie erneuert werden. Halten Sie die Kohlebürsten stets sauber, damit sie ungehindert in den Haltern gleiten können. Beide Kohlebürsten sollten gleichzeitig erneuert werden. Verwenden Sie nur identische Kohlebürsten. **(Abb. 17)**

Drehen Sie die Bürstenhalterkappen mit einem Schraubendreher heraus. Die abgenutzten Kohlebürsten herausnehmen, die neuen einsetzen, und dann die Bürstenhalterkappen wieder eindrehen. **(Abb. 18)**

Um die SICHERHEIT und ZUVERLÄSSIGKEIT dieses Produkts zu gewährleisten, sollten Reparaturen und andere Wartungs- oder Einstellarbeiten nur von Makita-Vertragswerkstätten oder Makita-Kundendienstzentren unter ausschließlicher Verwendung von Makita-Originalersatzteilen ausgeführt werden.

ZUBEHÖR

VORSICHT:

- Die folgenden Zubehörteile oder Vorrichtungen werden für den Einsatz mit der in dieser Anleitung beschriebenen Makita-Maschine empfohlen. Die Verwendung anderer Zubehörteile oder Vorrichtungen kann eine Verletzungsgefahr darstellen. Verwenden Sie Zubehörteile oder Vorrichtungen nur für ihren vorgesehenen Zweck.

Wenn Sie weitere Einzelheiten bezüglich dieser Zubehörteile benötigen, wenden Sie sich bitte an Ihre Makita-Kundendienststelle.

- Gerad- und Nutenfräser
- Kantenfräser
- Laminatfräser
- Parallelanschlag
- Kopierhülse 25
- Kopierhülsen
- Sicherungsmutter
- Spannzangenkonus 3/8", 1/4"
- Spannzangenkonus 6 mm, 8 mm
- Schraubenschlüssel 8
- Schraubenschlüssel 17
- Absaugstutzen
- Absaugrohr

ENG102-3

Geräusch

Typischer A-bewerteter Geräuschpegel ermittelt gemäß EN60745:

Für Modell RP0910

Schalldruckpegel (L_{pA}): 83 dB (A)
Schalleistungspegel (L_{WA}): 94 dB (A)
Ungewissheit (K): 3 dB (A)

Für Modell RP1110C

Schalldruckpegel (L_{pA}): 81 dB (A)
Schalleistungspegel (L_{WA}): 92 dB (A)
Ungewissheit (K): 3 dB (A)

Gehörschutz tragen

ENG223-2

Vibration

Vibrationsgesamt看wert (Drei-Achsen-Vektorsumme) ermittelt gemäß EN60745:

Für Modell RP0910

Arbeitsmodus: Nutenfräsen in MDF
Vibrationsemission (a_{hv}): 8,0 m/s²
Ungewissheit (K): 1,5 m/s²

Für Modell RP1110C

Arbeitsmodus: Nutenfräsen in MDF
Vibrationsemission (a_{hv}): 5,0 m/s²
Ungewissheit (K): 1,5 m/s²

ENG901-1

- Der angegebene Vibrationsemissionswert wurde im Einklang mit der Standardprüfmethode gemessen und kann für den Vergleich zwischen Maschinen herangezogen werden.
- Der angegebene Vibrationsemissionswert kann auch für eine Vorbewertung des Gefährdungsgrads verwendet werden.

WARNUNG:

- Die Vibrationsemission während der tatsächlichen Benutzung des Elektrowerkzeugs kann je nach der Benutzungsweise der Maschine vom angegebenen Emissionswert abweichen.
- Identifizieren Sie Sicherheitsmaßnahmen zum Schutz des Benutzers anhand einer Schätzung des Gefährdungsgrads unter den tatsächlichen Benutzungsbedingungen (unter Berücksichtigung aller Phasen des Arbeitszyklus, wie z. B. Ausschalt- und Leerlaufzeiten der Maschine zusätzlich zur Betriebszeit).

ENH101-13

Nur für europäische Länder

EG-Übereinstimmungserklärung

Wir, die Firma Makita als verantwortlicher Hersteller, erklären, dass die folgende(n) Makita-Maschine(n):

Bezeichnung der Maschine:

Oberfräse

Elektronische Oberfräse

Modell-Nr./ Typ: RP0910, RP1110C

der Serienproduktion entstammen und

den folgenden europäischen Richtlinien entsprechen:

98/37/EG bis 28. Dezember 2009 und dann 2006/

42/EG ab 29. Dezember 2009

und gemäß den folgenden Standards oder standardisierten Dokumenten hergestellt werden:

EN60745

Die technische Dokumentation befindet sich im Bestand unserer autorisierten Vertretung in Europa, nämlich:

Makita International Europe Ltd.

Michigan Drive, Tongwell,

Milton Keynes, MK15 8JD, England

30. Januar 2009



Tomoyasu Kato
Direktor

Makita Corporation
3-11-8, Sumiyoshi-cho,
Anjo, Aichi, JAPAN

Visione generale

1 Ghiera di regolazione	14 Dado bussola di chiusura	27 Guida sagoma
2 Paletto di fermo	15 Chiave	28 Vite
3 Indice di profondità	16 Blocco albero	29 Punta
4 Dado di regolazione paletto fermo	17 Per stringere	30 Base
5 Manopola di blocco	18 Per allentare	31 Sagoma
6 Bottone di avanzamento veloce	19 Cono bussola di chiusura di dimensioni corrette	32 Pezzo
7 Bullone esagonale di registro	20 Pezzo	33 Distanza (X)
8 Blocco di fermo	21 Direzione di rotazione punta	34 Diametro esterno della guida a sagoma
9 Dado di nailon	22 Direzione di avanzamento	35 Gruppo bocchettone
10 Dado esagonale	23 Veduta dall'alto dell'utensile	36 Gruppo bocchettone polvere
11 Bottone di blocco	24 Guida diritta	37 Segno limite
12 Interruttore	25 Vite di blocco	38 Tappo portaspazzole
13 Ghiera di regolazione velocità	26 Superficie di guida	39 Cacciavite

DATI TECNICI

Modello	RP0910	RP110C
Capacità massima bussola di chiusura	8 mm o 1/4"	8 mm o 1/4"
Capacità di tuffo	0–57 mm	0–57 mm
Velocità senza carico (min ⁻¹)	27.000	8.000–24.000
Altezza totale	260 mm	260 mm
Peso netto	3,3 kg	3,4 kg
Classe di sicurezza	□ /II	□ /II

- Per il nostro programma di ricerca e sviluppo continui, i dati tecnici sono soggetti a modifiche senza preavviso.
- I dati tecnici potrebbero differire a seconda del paese di destinazione del modello.
- Peso in base alla procedura EPTA 01/2003

Utilizzo previsto

Questo utensile serve alla rifilatura a raso e alla sagomatura del legno, plastica e materiali simili.

Alimentazione

L'utensile deve essere collegato ad una presa di corrente con la stessa tensione indicata sulla targhetta del nome, e può funzionare soltanto con la corrente alternata monofase. Esso ha un doppio isolamento in osservanza alle norme europee, per cui può essere usato con le prese di corrente sprovviste della messa a terra.

GEA010-1

Avvertimenti generali per la sicurezza dell'utensile elettrico

⚠ AVVERTIMENTO Leggere tutti gli avvertimenti per la sicurezza e le istruzioni. La mancata osservanza degli avvertimenti e delle istruzioni può causare scosse elettriche, incendio e/o gravi incidenti.

Conservare tutti gli avvertimenti e le istruzioni per riferimenti futuri.

GEB018-2

AVVERTIMENTI PER LA SICUREZZA PER LA FRESA

1. Tenere gli utensili elettrici per le superfici di presa isolate quando si eseguono operazioni in cui l'utensile da taglio potrebbe fare contatto con fili elettrici nascosti o con il suo stesso cavo di alimentazione. Il contatto con un filo elettrico "sotto tensione" mette "sotto tensione" le parti metalliche esposte dell'utensile, dando una scossa all'operatore.

2. Usare morse od altri modi pratici per fissare e supportare il pezzo su una superficie stabile. Se lo si tiene in mano o contro il proprio corpo, il pezzo diventa instabile e potrebbe causare la perdita di controllo.
3. Quando si opera per lungo tempo mettersi protezioni alle orecchie.
4. Trattare gli utensili con estrema cura.
5. Controllare gli utensili con estrema cura che non ci siano crepature oppure siano danneggiati prima di cominciare la lavorazione. Rimpiazzare immediatamente utensili con crepature oppure danneggiati.
6. Evitare di tagliare chiodi. Ispezionare se ci sono e rimuovere tutti i chiodi dal pezzo da lavorare prima di cominciare la lavorazione.
7. Tenere saldamente l'utensile con entrambe le mani.
8. Tenere le mani lontane dalle parti in movimento.
9. Prima di mettere in moto la fresatrice assicurarsi che l'utensile non è a contatto con il pezzo da lavorare.
10. Prima di cominciare la lavorazione sul pezzo da lavorare attualmente, lasciare che giri per un momento. Osservare se ci sono vibrazioni oppure rotazioni imperfette che possono essere il segno di un montaggio imperfetto dell'utensile.
11. Assicurarsi del senso di rotazione dell'utensile e della direzione di avanzamento del pezzo da lavorare.
12. Non lasciare che l'utensile giri a vuoto. Mettere in moto la fresatrice solo quando è ben tenuta in mano.

13. Dopo aver lasciato andare l'interruttore sempre aspettare che l'utensile si fermi completamente prima di rimuovere la fresatrice dal pezzo da lavorare.
14. Non toccare l'utensile subito dopo la lavorazione; potrebbe essere estremamente caldo e potrebbe bruciare la vostra pelle.
15. Non sporcare sbadatamente la base dell'utensile con solvente benzina, olio oppure liquidi simili. Questi liquidi potrebbero causare crepature sulla base dell'utensile.
16. Bisogna usare punte con il diametro corretto del codolo e adatte alla velocità dell'utensile.
17. Alcuni materiali contengono sostanze chimiche che potrebbero essere tossiche. Fare attenzione per evitare l'inalazione o il contatto con la pelle. Osservare le precauzioni del produttore del materiale.
18. Usare sempre la mascherina antipolvere/respiratore adatti al materiale e all'applicazione con cui si lavora.

CONSERVATE QUESTE ISTRUZIONI.

AVVERTIMENTO:

NON lasciare che la comodità o la familiarità d'utilizzo con il prodotto (acquisita con l'uso ripetuto) sostituisca la stretta osservanza delle norme di sicurezza per il prodotto stesso. L'utilizzo SBAGLIATO o la mancata osservanza delle norme di sicurezza di questo manuale di istruzioni potrebbero causare lesioni serie.

DESCRIZIONE DEL FUNZIONAMENTO

ATTENZIONE:

- Accertarsi sempre che l'utensile sia spento e staccato dalla presa di corrente prima di regolarlo o di controllarne il funzionamento.

Regolazione della profondità di taglio (Fig. 1)

Mettere l'utensile su una superficie piana. Allentare la manopola di blocco e abbassare il corpo dell'utensile finché la punta non tocca la superficie piana. Stringere la manopola di blocco per bloccare il corpo dell'utensile.

Girare il dado di regolazione paletto di fermo in senso antiorario. Abbassare il paletto di fermo finché non fa contatto con il bullone di registro. Allineare l'indice di profondità con la graduazione "0". La profondità di taglio è indicata sulla scala dall'indice di profondità.

Schiacciando il bottone di avanzamento veloce, sollevare il paletto di fermo fino a ottenere la profondità di taglio desiderata. Le regolazioni fini della profondità si ottengono girando la manopola di regolazione (1 mm per giro). Girando il dado di regolazione paletto di fermo in senso orario, si può fissare saldamente il paletto di fermo.

La profondità di taglio predeterminata può ora essere ottenuta allentando la manopola di blocco e abbassando il corpo dell'utensile finché il paletto di fermo non fa contatto con il bullone di registro del blocco di fermo.

Dado di nailon (Fig. 2)

Il limite superiore del corpo dell'utensile può essere regolato girando il dado di nailon. Quando l'estremità della punta si ritrae oltre il necessario in rapporto alla superficie della piastra della base, girare il dado di nailon per abbassare il limite superiore.

ATTENZIONE:

- Poiché un taglio eccessivo potrebbe causare un sovraccarico del motore o difficoltà di controllo dell'utensile, la profondità di taglio non dovrebbe essere maggiore di 15 mm ad ogni passaggio quando si eseguono le scanalature con una punta di 8 mm di diametro.
- Quando si eseguono scanalature con una punta di 20 mm di diametro, la profondità di taglio non deve essere maggiore di 5 mm ad ogni passaggio.
- Per le operazioni di scanalatura extra profonde, eseguire due o tre passaggi con regolazioni della punta progressivamente più profonde.
- Non abbassare troppo il dado di nailon, perché altrimenti la punta sporge pericolosamente.

Blocco di fermo (Fig. 3)

Il blocco di fermo ha tre bulloni esagonali di registro, che sollevano o abbassano di 0,8 mm per giro. Usando questi tre bulloni esagonali di registro, si possono ottenere facilmente tre diverse profondità di taglio senza dover regolare di nuovo il paletto di fermo.

Regolare il bullone esagonale più basso in modo da ottenere la massima profondità di taglio usando il metodo di "Regolazione della profondità di taglio". Regolare gli altri due bulloni in modo da ottenere la profondità di taglio minore possibile. Le differenze di altezza tra questi bulloni esagonali sono pari alle differenze di profondità di taglio.

Per regolare i bulloni esagonali, allentare prima i dadi esagonali sui bulloni con la chiave e girare poi i bulloni. Dopo aver ottenuto la posizione desiderata, stringere i bulloni mantenendoli in tale posizione desiderata. Il blocco di fermo è comodo anche per eseguire tre passaggi con regolazioni della punta progressivamente più profonde durante il taglio delle scanalature.

Funzionamento dell'interruttore (Fig. 4)

ATTENZIONE:

- Prima di collegare l'utensile alla presa di corrente, accertarsi sempre che l'interruttore funzioni correttamente e che ritorni sulla posizione "OFF" quando lo si rilascia.
- Prima di accendere l'utensile, accertarsi che il blocco dell'albero sia rilasciato.

Per avviare l'utensile, schiacciare il bottone di blocco e poi l'interruttore. Rilasciare l'interruttore per fermarlo.

Per il funzionamento continuo, schiacciare l'interruttore e schiacciare poi ulteriormente il bottone di blocco. Per fermare l'utensile, schiacciare l'interruttore per far tornare automaticamente il bottone di blocco. Rilasciare poi l'interruttore.

Dopo aver rilasciato l'interruttore, la funzione di blocco si attiva per impedire l'azionamento dell'interruttore.

Ghiera di regolazione velocità (Fig. 5)

Modello RP1110C

La velocità dell'utensile può essere cambiata girando la ghiera di regolazione velocità su una impostazione con un numero da 1 a 5.

Le velocità più alte si ottengono girando la ghiera nella direzione del numero 5. Le velocità più basse si ottengono girando la ghiera nella direzione del numero 1.

Ciò permette di selezionare la velocità ottimale secondo il materiale da lavorare, e cioè, la velocità può essere regolata correttamente secondo il materiale e il diametro della punta.

Per il rapporto tra i numeri delle regolazioni della ghiera e la velocità approssimativa dell'utensile, riferirsi alla tabella.

Numero	min ⁻¹
1	8.000
2	12.000
3	16.000
4	20.000
5	24.000

ATTENZIONE:

- La ghiera di regolazione della velocità può essere girata soltanto fino a 5 e indietro fino a 1. Non forzarla oltre il 5 o l'1, perché altrimenti la regolazione della velocità potrebbe diventare impossibile.

MONTAGGIO

ATTENZIONE:

- Accertarsi sempre che l'utensile sia spento e staccato dalla presa di corrente prima di un qualsiasi intervento su di esso.

Installazione o rimozione della punta (Fig. 6 e 7)

ATTENZIONE:

- Installare saldamente la punta. Usare sempre soltanto la chiave in dotazione all'utensile. La punta allentata o stretta eccessivamente può costituire un pericolo.
- Non stringere il dado bussola di chiusura senza aver inserito la punta. Ciò può causare la rottura del cono bussola di chiusura.

Inserire la punta completamente nel cono bussola di chiusura. Premere il blocco albero per mantenere fermo l'albero, e usare la chiave per stringere saldamente il dado bussola di chiusura.

Sull'utensile viene installato in fabbrica un cono bussola di chiusura di 8 mm o 6,35 mm. Per utilizzare le punte con un codolo di diametro diverso, usare un cono bussola di chiusura di dimensioni corrette per la punta che si intende utilizzare.

Per rimuovere la punta, seguire il procedimento inverso di installazione.

FUNZIONAMENTO

ATTENZIONE:

- Prima di cominciare il lavoro, accertarsi sempre che il corpo dell'utensile si sollevi fino al limite superiore e che la punta non sporga dalla base dell'utensile quando si allenta la manopola di blocco.

Mettere la base dell'utensile sul pezzo da tagliare senza che la punta faccia contatto. Accendere poi l'utensile e aspettare finché la punta non ha raggiunto la massima velocità. Abbassare il corpo dell'utensile e spostare l'utensile in avanti sopra la superficie del pezzo, mantenendo la base dell'utensile a livello e avanzando uniformemente fino al completamento del taglio.

Quando si eseguono tagli dei bordi, la superficie del pezzo deve trovarsi sul lato sinistro della punta nella direzione di avanzamento. (Fig. 8)

NOTE:

- Accertarsi inoltre che la guida della polvere sia installata correttamente.
- Se si sposta troppo velocemente la punta in avanti, la qualità del taglio potrebbe deteriorarsi o si potrebbe danneggiare la punta o il motore. Se la si sposta in avanti troppo lentamente, si potrebbe bruciare o rovinare il taglio. La velocità corretta di avanzamento dipende dalle dimensioni della punta, il tipo di pezzo e la profondità di taglio. Prima di cominciare il taglio sul pezzo, si consiglia di fare una prova su un pezzo di scarto. Ciò mostra esattamente come apparirà il taglio e permette inoltre di controllare le dimensioni.
- Quando si usa la guida dritta, installarla sul lato destro nella direzione di avanzamento. Ciò aiuta a mantenerla a livello con il fianco del pezzo. (Fig. 9)

Guida dritta (Fig. 10, 11 e 12)

La guida dritta è efficace per i tagli dritti quando si eseguono smussature o scanalature.

Per installare la guida dritta, inserire le barre della guida nei fori sulla base dell'utensile. Regolare la distanza tra la punta e la guida dritta. Stringere la vite di blocco alla distanza desiderata per fissare la guida dritta in posizione.

Per tagliare, spostare l'utensile con la guida dritta a livello con il fianco del pezzo.

Se la distanza tra il fianco del pezzo e la posizione di taglio è troppo grande per la guida dritta o se il fianco del pezzo non è dritto, non si può usare la guida dritta. In tal caso, fissare saldamente un pezzo di legno dritto al pezzo e usarlo come una guida contro la base dell'utensile. Alimentare l'utensile nella direzione della freccia.

Guida sagoma (accessorio) (Fig. 13, 14 e 15)

La guida sagoma ha un manicotto attraverso il quale passa la punta, ciò che permette di usare l'utensile con le forme delle sagome.

Per installare la guida sagoma, allentare le viti sulla base dell'utensile, inserire la guida sagoma e stringere poi le viti.

Fissare la sagoma al pezzo. Mettere l'utensile sulla sagoma e spostarlo con la guida della sagoma che scivola lungo il fianco della sagoma.

NOTA:

- Il pezzo da lavorare verrà tagliato ad una misura leggermente differente da quella data dalla sagoma. Permettere una distanza (X) tra la punta del rifilatore e la parte esterna della sagoma. La distanza (X) può venire calcolata usando la seguente equazione.
Distanza (X) = (diametro esterno della guida a sagoma - diametro della punta) / 2

Collegamento di un aspiratore (Fig. 16)

Collegando un aspiratore Makita all'utensile, si possono eseguire operazioni più pulite.

Inserire il gruppo bocchettoni e il gruppo bocchettone della polvere nell'utensile. Il gruppo bocchettone della polvere può anche essere inserito direttamente nella base dell'utensile secondo l'operazione da eseguire.

Per collegare un aspiratore Makita (modello 407) è necessario il manicotto opzionale di 28 mm di diametro interno.

ATTENZIONE:

- Accertarsi sempre che l'utensile sia spento e staccato dalla presa di corrente prima di eseguire l'ispezione o la manutenzione.
- Mai usare benzina, benzene, solventi, alcol e altre sostanze simili. Potrebbero causare scolorimenti, deformazioni o crepe.

Sostituzione delle spazzole di carbone

Rimuovere e controllare regolarmente le spazzole di carbone. Sostituirle se sono usurate fino al segno limite. Mantenere sempre le spazzole di carbone pulite e facili da inserire nei portaspazzole. Le spazzole di carbone devono essere sostituite entrambe allo stesso tempo. Usare soltanto spazzole di carbone identiche. **(Fig. 17)** Usare un cacciavite per rimuovere i tappi dei portaspazzole. Estrarre le spazzole di carbone usurate, inserire quelle nuove e fissare i tappi dei portaspazzole. **(Fig. 18)**

Per preservare la sicurezza e l'affidabilità del prodotto, le riparazioni, la manutenzione o la regolazione devono essere eseguite da un Centro Assistenza Makita autorizzato usando sempre ricambi Makita.

ACCESSORI

ATTENZIONE:

- In questo manuale si consiglia di usare questi accessori o ricambi Makita. L'impiego di altri accessori o ricambi potrebbe costituire un pericolo di lesioni. Usare esclusivamente gli accessori o ricambi per il loro scopo specificato.

Per maggiori dettagli riguardo a questi accessori, rivolgersi a un centro di assistenza Makita.

- Punte diritte e di formazione scanalature
- Punte di formazione bordi
- Punte di rifilatura laminate
- Guida diritta
- Guida sagoma 25
- Guide sagoma
- Dado di blocco
- Cono bussola di chiusura 3/8", 1/4"
- Cono bussola di chiusura 6 mm, 8 mm
- Chiave 8
- Chiave 17
- Gruppo bocchettone polvere
- Gruppo bocchettone

ENG102-3

Rumore

Il tipico livello di rumore pesato A determinato secondo EN60745:

Per Modello RP0910

Livello pressione sonora (L_{pA}): 83 dB (A)
 Livello potenza sonora (L_{WA}): 94 dB (A)
 Incertezza (K): 3 dB (A)

Per Modello RP1110C

Livello pressione sonora (L_{pA}): 81 dB (A)
 Livello potenza sonora (L_{WA}): 92 dB (A)
 Incertezza (K): 3 dB (A)

Indossare i paraorecchi

Vibrazione

Il valore totale di vibrazione (somma vettore triassiale) determinato secondo EN60745:

Per Modello RP0910

Modalità operativa: esecuzione di scanalature in MDF
 Emissione di vibrazione (a_{rh}): 8,0 m/s²
 Incertezza (K): 1,5 m/s²

Per Modello RP1110C

Modalità operativa: esecuzione di scanalature in MDF
 Emissione di vibrazione (a_{rh}): 5,0 m/s²
 Incertezza (K): 1,5 m/s²

ENG901-1

- Il valore di emissione delle vibrazioni dichiarato è stato misurato conformemente al metodo di test standard, e può essere usato per paragonare un utensile con un altro.
- Il valore di emissione delle vibrazioni dichiarato può anche essere usato per una valutazione preliminare dell'esposizione.

AVVERTIMENTO:

- L'emissione delle vibrazioni durante l'uso reale dell'utensile elettrico può differire dal valore di emissione dichiarato a seconda dei modi in cui viene usato l'utensile.
- Identificare le misure di sicurezza per la protezione dell'operatore basate sulla stima dell'esposizione nelle condizioni reali d'utilizzo (tenendo presente tutte le parti del ciclo operativo, come le volte in cui l'utensile viene spento e quando gira a vuoto, oltre al tempo di funzionamento).

ENH101-13

Modello per l'Europa soltanto

Dichiarazione CE di conformità

Noi della Makita Corporation, come produttori responsabili, dichiariamo che le macchine Makita seguenti:

Designazione della macchina:

Fresa

Fresa elettronica

Modello No./Tipo: RP0910, RP1110C

sono una produzione di serie e

conformi alle direttive europee seguenti:

98/37/CE fino al 28 dicembre 2009 e poi 2006/42/CE dal 29 dicembre 2009

E sono fabbricate conformemente ai seguenti standard o documenti standardizzati:

EN60745

La documentazione tecnica è tenuta dal nostro rappresentante autorizzato in Europa, che è:

Makita International Europe Ltd.

Michigan Drive, Tongwell,

Milton Keynes, MK15 8JD, England

30 gennaio 2009





Tomoyasu Kato
 Amministratore

Makita Corporation
 3-11-8, Sumiyoshi-cho,
 Anjo, Aichi, JAPAN

Verklaring van algemene gegevens

1 Afstelknop	16 Asblokkering	30 Voet
2 Arreterestang	17 Vastdraaien	31 Sjabloon
3 Dieptewijzer	18 Losdraaien	32 Werkstuk
4 Klemmoer van arreterestang	19 Juiste maat spantangkegel	33 Afstand (X)
5 Vergrendelknop	20 Werkstuk	34 Middellijn van sjabloongeleider
6 Knop voor snelvoeding	21 Freeskopdraairichting	35 Stofafzuigpijp
7 Zeskante afstelbout	22 Voedingsrichting	36 Verbindingsstuk voor stofafzuiging
8 Arretereblok	23 Bovenaanzicht van gereedschap	37 Limietstreep
9 Nylonmoer	24 Rechte geleider	38 Borstelhouderkap
10 Zeskante moer	25 Vergrendelschroef	39 Schroevendraaier
11 Vergrendeltoets	26 Leivlak	
12 Trekschakelaar	27 Sjabloongeleider	
13 Toerentalregelknop	28 Schroef	
14 Spantangbout	29 Freeskop	
15 Sleutel		

TECHNISCHE GEGEVENS

Model	RP0910	RP110C
Max. diameter spantang	8 mm of 1/4"	8 mm of 1/4"
Dieptecapaciteit	0 – 57 mm	0 – 57 mm
Toerental onbelast (min ⁻¹)	27 000	8 000 – 24 000
Totale hoogte	260 mm	260 mm
Netto gewicht	3,3 kg	3,4 kg
Veiligheidsklasse	 /II	 /II

- In verband met ononderbroken research en ontwikkeling behouden wij ons het recht voor bovenstaande technische gegevens te wijzigen zonder voorafgaande kennisgeving.
- De technische gegevens kunnen van land tot land verschillen.
- Gewicht volgens de EPTA-procedure 01/2003

Doeleinden van gebruik

Dit gereedschap is bedoeld voor het gelijk afwerken en voor het aanbrengen van profielen in hout, kunststof en soortgelijke materialen.

Stroomvoorziening

De machine mag alleen worden aangesloten op een stroombron van hetzelfde voltage als aangegeven op de naamplaat, en kan alleen op enkel-fase wisselstroom worden gebruikt. De machine is dubbel-geïsoleerd volgens de Europese standaard en kan derhalve ook op een niet-geaard stopcontact worden aangesloten.

GEA010-1

Algemene veiligheidswaarschuwingen voor elektrisch gereedschap

⚠ WAARSCHUWING! Lees alle veiligheidswaarschuwingen en alle instructies. Het niet volgen van de waarschuwingen en instructies kan leiden tot elektrische schokken, brand en/of ernstig letsel.

Bewaar alle waarschuwingen en instructies om in de toekomst te kunnen raadplegen.

GEB018-2

VEILIGHEIDSWAARSCHUWINGEN SPECIFIEK VOOR EEN BOVENFREES

1. **Houd elektrisch gereedschap vast aan het geïsoleerde oppervlak van de handgrepen wanneer u werkt op plaatsen waar het zaaggereedschap met verborgen bedrading of zijn eigen snoer in aanraking kan komen.** Door contact met onder spanning staande draden, zullen de niet-geïsoleerde metalen delen van het gereedschap onder spanning komen te staan zodat de gebruiker een elektrische schok kan krijgen.
2. **Gebruik klemmen of een andere praktische methode om het werkstuk op een stabiele ondergrond te bevestigen en ondersteunen.** Als u het werkstuk in uw hand of tegen uw lichaam geklemd houdt, is het onvoldoende stabiel en kunt u de controle erover verliezen.
3. **Gebruik een oorbescherming, wanneer U lange tijd met dit gereedschap denkt te werken.**
4. **Wees voorzichtig met het frees.**
5. **Controleer het frees op barsten of beschadiging, alvorens het gereedschap in te schakelen en vervang onmiddellijk als het frees is gebarsten of beschadigd.**
6. **Zorg dat het frees niet in contact komt met spijkers enz. Verwijder derhalve alvorens met trimmen te beginnen eventuele spijkers en dergelijke van het werkstuk.**
7. **Houd het gereedschap met beide handen stevig vast.**
8. **Houd uw handen uit de buurt van de roterende delen.**

9. **Zorg dat het frees niet in contact is met het werkstuk wanneer u het gereedschap inschakelt.**
10. **Laat het gereedschap draaien, alvorens het werkstuk te trimmen. Controleer of er trillingen en/of schommelingen zijn, die op een verkeerd geïnstalleerd frees kunnen wijzen.**
11. **Zorg dat de rotatierichting overeenkomt met de trimrichting.**
12. **Schakel het gereedschap onmiddellijk uit, als u het niet meer gebruikt. Schakel het gereedschap allen in, als u het in handen houdt.**
13. **Schakel het gereedschap uit en wacht tot het helemaal tot stilstand is gekomen, alvorens het van het werkstuk te verwijderen.**
14. **Raak het frees onmiddellijk na het trimmen niet aan; aangezien het nog gloeiend heet is en derhalve brandwonden kan veroorzaken.**
15. **Wees voorzichtig en veeg het voetstuk van het gereedschap niet af met verfverdunner, benzine, olie of iets dergelijks, aangezien er anders barsten in kunnen komen.**
16. **Zorg ervoor dat u uitsluitend frezen gebruikt die de juiste schachtdiameter hebben en geschikt zijn voor de snelheid van het gereedschap.**
17. **Sommige materialen bevatten chemische stoffen die vergiftig kunnen zijn. Vermijd inademing van stof en contact met de huid. Volg de veiligheidsinstructies van de leverancier van het materiaal.**
18. **Gebruik altijd het juiste stofmasker/ademhalingsapparaat voor het materiaal en de toepassing waarmee u werkt.**

BEWAAR DEZE VOORSCHRIFTEN.

WAARSCHUWING:

Laat u **NIET** misleiden door een vals gevoel van comfort en bekendheid met het gereedschap (na veelvuldig gebruik) en neem alle veiligheidsvoorschriften van het betreffende product altijd strikt in acht. **VERKEERD GEBRUIK** of het niet naleven van de veiligheidsvoorschriften in deze gebruiksaanwijzing kan leiden tot ernstige verwondingen.

BESCHRIJVING VAN DE FUNCTIES

LET OP:

- Zorg altijd dat het gereedschap is uitgeschakeld en zijn stekker uit het stopcontact is verwijderd alvorens de functies op het gereedschap te controleren of af te stellen.

Instellen van de snijdiepte (Fig. 1)

Plaats het gereedschap op een plat oppervlak. Draai de vergrendelknop los en breng het lichaam van het gereedschap omlaag totdat de freeskop het plat oppervlak net raakt. Draai de vergrendelknop vast om het lichaam van het gereedschap te vergrendelen.

Draai de klemmoer van de arreteerstang naar links. Breng de arreteerstang omlaag totdat deze de afstelbout raakt. Doe de dieptewijzer overeenkomen met de "0" schaalverdeling. De snijdiepte wordt op de schaal aangegeven door de dieptewijzer.

Druk de knop voor snelvoeding in en breng tegelijk de arreteerstang omhoog totdat de gewenste snijdiepte is verkregen. U kunt de snijdiepte nauwkeurig afstellen door de afstelknop te verdraaien (1 mm per slag).

U kunt de arreteerstang stevig vastzetten door de klemmoer van de arreteerstang naar rechts te draaien.

U kunt nu de vooraf ingestelde snijdiepte krijgen door de vergrendelknop los te draaien en vervolgens het lichaam van het gereedschap omlaag te brengen totdat de arreteerstang in aanraking komt met de afstelbout op het arreteerblok.

Nylonmoer (Fig. 2)

Door de nylonmoer te draaien kunt u de bovenlimiet van het gereedschapslichaam afstellen. Wanneer de tip van de freeskop niet ver genoeg uitsteekt in verhouding tot het voetplaatoppervlak, moet u de nylonmoer verder indraaien om de bovenlimiet te verlagen.

LET OP:

- Wanneer u groeven snijdt met een 8 mm diameter freeskop, mag de snijdiepte niet meer zijn dan 15 mm per snijbeurt. Overmatig snijden kan overbelasting van de motor en moeilijkere controle over het gereedschap veroorzaken.
- Wanneer u groeven snijdt met een 20 mm diameter freeskop, mag de snijdiepte niet meer zijn dan 5 mm per snijbeurt.
- Voor het snijden van extra-diepe groeven, moet u in twee of drie snijbeurten werken en de diepte van de freeskop geleidelijk vermeerderen.
- Draai de nylonmoer niet te ver naar binnen, omdat de freeskop anders gevaarlijk kan uitsteken.

Arreteerblok (Fig. 3)

Het arreteerblok heeft drie zeskante afstelbouten die per slag 0,8 mm hoger of lager kunnen worden ingesteld. Met deze afstelbouten kunt u gemakkelijk drie verschillende snijdieptes krijgen zonder dat u de arreteerstang telkens opnieuw moet afstellen.

Stel de laagste zeskantbout in op de grootste freesdiepte volgens de procedure beschreven onder "De freesdiepte instellen". Stel de overige twee zeskantbouten af om minder diepe snijdieptes te krijgen. De hoogteverschillen tussen deze drie zeskantbouten zijn gelijk aan de diepteverschillen van de sneden.

Om de zeskantbouten af te stellen, draait u eerst de zeskantmoeren op de zeskantbouten los met de sleutel, en daarna draait u de zeskantbouten naar de gewenste positie. Nadat de gewenste positie is afgesteld, draait u de zeskantmoeren vast terwijl u de zeskantbouten op de afgestelde plaats houdt. Het arreteerblok is ook handig om in drie snijbeurten met geleidelijk diepere freeskopinstellingen te werken wanneer u diepe groeven wilt snijden.

Werking van de trekschakelaar (Fig. 4)

LET OP:

- Alvorens u het gereedschap op een stopcontact aansluit, moet u altijd controleren of de trekschakelaar naar behoren functioneert en bij loslaten naar de "OFF" stand terugkeert.
- Zorg ervoor dat de asblokkering in de vrije stand staat alvorens de trekschakelaar in te drukken.

Om het gereedschap te starten, drukt u de vergrendeltoets in en vervolgens drukt u de trekschakelaar in. Laat de trekschakelaar los om het gereedschap te stoppen.

Voor doorlopend gebruik, drukt u de trekschakelaar in en daarna drukt u de vergrendeltoets verder in. Om het gereedschap te stoppen, drukt u de trekschakelaar in zodat de vergrendeltoets automatisch vrijkomt. Laat daarna de trekschakelaar los.

Nadat u de trekschakelaar hebt losgelaten, zal de vergrendelfunctie voorkomen dat de trekschakelaar per ongeluk wordt ingedrukt.

Toerentalregelknop (Fig. 5)

Voor RP1110C

U kunt de snelheid van het gereedschap veranderen door de toerentalregelknop te draaien en in te stellen op een cijfer van 1 tot 5.

De snelheid wordt hoger wanneer de snelheidsregelaar in de richting van 5 wordt gedraaid. De snelheid wordt lager wanneer de snelheidsregelaar in de richting van 1 wordt gedraaid.

Zo kunt u optimale freespereaties krijgen door in te stellen op het toerental dat het best geschikt is voor het te snijden materiaal en voor de diameter van de freeskop. De tabel toont de verhouding tussen de cijfers op de regelknop en de geraamde snelheid van het gereedschap.

Cijfer	min ⁻¹
1	8 000
2	12 000
3	16 000
4	20 000
5	24 000

LET OP:

- De toerentalregelknop kan niet verder dan 5 en niet verder terug dan 1 worden gedraaid. Probeer niet om hem met geweld verder dan 5 of 1 te draaien, aangezien de toerentalregel functie daardoor ontregeld kan raken.

INEENZETTEN

LET OP:

- Zorg altijd dat het gereedschap is uitgeschakeld en zijn stekker uit het stopcontact is verwijderd alvorens enig werk aan het gereedschap uit te voeren.

Het bit aanbrengen en verwijderen (Fig. 6 en 7)

LET OP:

- Breng het bit stevig aan. Gebruik altijd de steeksleutel die bij het gereedschap werd geleverd. Een loszittend of te strak vastgezet bit kan gevaarlijk zijn.
- Draai de spantangbout niet vast zonder dat een bit in de spankop is aangebracht. Dit kan leiden tot het afbreken van de spantangkegel.

Steek het bit zo ver mogelijk in de spantangkegel. Druk op de asblokkering zodat het bit niet meedraait en zet de spantangbout stevig vast met de steeksleutel.

Een spantangkegel van 8 mm of 6,35 mm is in de fabriek op het gereedschap gemonteerd. Als u bovenfreesbits met een andere diameter gebruikt, gebruikt u de juiste maat spantangkegel voor het bit dat u wilt gebruiken.

Om het bit te verwijderen volgt u de procedure voor het aanbrengen in de omgekeerde volgorde.

BEDIENING

LET OP:

- Controleer voordat u het gereedschap bedient of het gereedschap automatisch omhoog komt tot aan de bovenste begrenzing, en het bit niet uitsteekt tot onder de voet van het gereedschap nadat de vergrendelknop is losgezet.

Zet de gereedschapsvoet op het werkstuk zonder dat de freeskop het werkstuk raakt. Schakel het gereedschap in en wacht totdat de freeskop op volle toeren draait. Breng het gereedschapslichaam omlaag en schuif het over het werkstukoppervlak naar voren, ervoor zorgend dat de gereedschapsvoet vlak blijft. Beweeg het gereedschap langzaam naar voren totdat de snede is voltooid.

Wanneer u randen snijdt, moet het werkstukoppervlak zich aan de linkerzijde van de freeskop in de voedingsrichting bevinden. (Fig. 8)

OPMERKINGEN:

- Controleer of de stofgeleider juist geïnstalleerd is.
- Wanneer u het gereedschap te snel naar voren beweegt, kan de kwaliteit van de snede slechter zijn, of kan de freeskop of de motor beschadigd raken. Wanneer u het gereedschap te langzaam beweegt, kan de snede verbranden of mislukken. De juiste voedingsnelheid hangt af van de maat van de freeskop, het soort werkstuk en de snijdiepte. Het is aan te raden dat u een proefsnede maakt op een stuk afgedankt timmerhout alvorens u het werkstuk zelf snijdt. Daardoor kunt u vaststellen hoe de snede er zal uitzien en kunt u ook de afmetingen controleren.
- Wanneer u de rechte geleider gebruikt, moet u deze aan de rechterzijde in de voedingsrichting monteren. De geleider zal dan vlak blijven met de zijkant van het werkstuk. (Fig. 9)

Rechte geleider (Fig. 10, 11 en 12)

Gebruik de rechte geleider om rechte sneden te krijgen wanneer u schuine randen of groeven snijdt.

Om de rechte geleider te installeren, steekt u de geleiderstangen in de gaten in de gereedschapsvoet. Stel de afstand tussen de freeskop en de rechte geleider af. Draai de vergrendelschroef bij de gewenste afstand vast om de rechte geleider op zijn plaats vast te zetten.

Bij het snijden moet u het gereedschap met de rechte geleider vlak tegen de zijkant van het werkstuk naar voren bewegen.

Indien de afstand tussen de zijkant van het werkstuk en de snijpositie te groot is voor de rechte geleider, of indien de zijkant van het werkstuk niet recht is, kan de rechte geleider niet worden gebruikt. In dat geval moet u een rechte plank stevig vastklemmen aan het werkstuk en deze tegen de routerfreesvoet drukken om hem als een geleider te gebruiken. Beweeg het gereedschap in de richting van de pijl.

Sjabloongeleader (Accessoire) (Fig. 13, 14 en 15)

In de sjabloongeleader zit een gat waar het bit doorheen steekt, waardoor het mogelijk wordt de bovenfrees met een sjabloon te gebruiken.

Om de sjabloongeleader te monteren, draait u de bouten in de zool van het gereedschap los, steekt u de sjabloongeleader erdoor, en draait u tenslotte de bouten weer aan. Bevestig de sjabloon aan het werkstuk. Plaats het gereedschap op de sjabloon en beweeg het gereedschap door de sjabloongeleader langs de zijkant van de sjabloon te schuiven.

OPMERKING:

- De uitgesneden patronen in het werkstuk zijn iets smaller dan die van de sjabloon. Dit komt vanwege de afstand (X) tussen het mes en de buitenkant van de sjabloongeleader. Deze afstand (X) kunt u als volgt berekenen:
Afstand (X) = (middellijn van sjabloongeleader – middellijn van mes) / 2

Aansluiten van een Makita stofzuiger (Fig. 16)

U kunt schoner werken door een Makita stofzuiger op de routerfrees aan te sluiten.

Sluit de stofzuigpijp en het verbindingstuk voor stofafzuiging aan op het gereedschap. Al naar gelang van het soort werk, kunt u het verbindingstuk voor stofafzuiging ook direct in de voet van het gereedschap steken.

Wanneer u de Makita stofzuiger (Model 407) aansluit, is een optionele slang met een binnendiameter van 28 mm nodig.

ONDERHOUD

LET OP:

- Zorg altijd dat het gereedschap is uitgeschakeld en niet op een stopcontact is aangesloten voordat u begint met inspectie of onderhoud.
- Gebruik nooit benzine, wasbenzine, thinner, alcohol en dergelijke. Hierdoor het verkleuring, vervormingen en barsten worden veroorzaakt.

Vervangen van koolborstels

Verwijder en controleer regelmatig de koolborstels. Vervang de koolborstels wanneer ze tot aan de limietmarkering versleten zijn. Houd de koolborstels schoon, zodat ze gemakkelijk in de houders glijden. Beide koolborstels dienen gelijktijdig te worden vervangen. Gebruik uitsluitend gelijksoortige koolborstels. (Fig. 17)

Gebruik een schroevendraaier om de kappen van de koolborstelhouders te verwijderen. Haal de versleten koolborstels eruit, schuif de nieuwe erin, en zet daarna de kappen weer goed vast. (Fig. 18)

Om de VEILIGHEID en BETROUWBAARHEID van het product te handhaven, dienen alle reparaties en alle andere onderhoudswerkzaamheden of afstellingen te worden uitgevoerd door een erkend Makita Servicecentrum, en dat uitsluitend met gebruik van Makita vervangingsonderdelen.

ACCESSOIRES

LET OP:

- Deze accessoires of hulpstukken worden aanbevolen voor gebruik met het Makita gereedschap dat in deze gebruiksaanwijzing is beschreven. Bij gebruik van andere accessoires of hulpstukken bestaat er gevaar voor persoonlijke verwonding. Gebruik de accessoires of hulpstukken uitsluitend voor hun bestemd doel.

Wenst u meer bijzonderheden over deze accessoires, neem dan contact op met het plaatselijke Makita servicecentrum.

- Diverse (vlak)groefbits
- Diverse afkantbits
- Diverse laminaattrimbits
- Rechte geleider
- Sjabloongeleider 25
- Sjabloongeleiders
- Borgmoer
- Spantangkegel 3/8", 1/4"
- Spantangkegel 6 mm, 8 mm
- Sleutel 8
- Sleutel 17
- Verbindingsstuk voor stofafzuiging
- Stofafzuigpijp

Geluidsniveau

De typisch, A-gewogen geluidsniveaus vastgesteld volgens EN60745:

Voor de model RP0910

Geluidsdrukniveau (L_{pA}): 83 dB (A)
 Geluidsenergie-niveau (L_{WA}): 94 dB (A)
 Onnauwkeurigheid (K): 3 dB (A)

Voor de model RP1110C

Geluidsdrukniveau (L_{pA}): 81 dB (A)
 Geluidsenergie-niveau (L_{WA}): 92 dB (A)
 Onnauwkeurigheid (K): 3 dB (A)

Draag oorbeschermers

ENG223-2

Trilling

De totaalwaarde van de trillingen (triaxiale vectorsom) vastgesteld volgens EN60745:

Voor de model RP0910

Toepassing: Groeven frezen in MDF
 Trillingsemmissie (a_{h1}): 8,0 m/s²
 Onnauwkeurigheid (K): 1,5 m/s²

Voor de model RP1110C

Toepassing: Groeven frezen in MDF
 Trillingsemmissie (a_{h1}): 5,0 m/s²
 Onnauwkeurigheid (K): 1,5 m/s²

ENG901-1

- De opgegeven trillingsemmissiewaarde is gemeten volgens de standaardtestmethode en kan worden gebruikt om dit gereedschap te vergelijken met andere gereedschappen.
- De opgegeven trillingsemmissiewaarde kan ook worden gebruikt voor een beoordeling vooraf van de blootstelling.

WAARSCHUWING:

- De trillingsemmissie tijdens het gebruik van het elektrisch gereedschap in de praktijk kan verschillen van de opgegeven trillingsemmissiewaarde afhankelijk van de manier waarop het gereedschap wordt gebruikt.
- Zorg ervoor dat veiligheidsmaatregelen worden getroffen ter bescherming van de operator die zijn gebaseerd op een schatting van de blootstelling onder praktijkomstandigheden (rekening houdend met alle fasen van de bedrijfscyclus, zoals de tijdsduur gedurende welke het gereedschap is uitgeschakeld en stationair draait, naast de ingeschakelde tijdsduur).

Alleen voor Europese landen

EU-Verklaring van Conformiteit

Wij, Makita Corporation, als de verantwoordelijke fabrikant, verklaren dat de volgende Makita-machine(s):

Aanduiding van de machine:

Bovenfrees

Elektronische bovenfrees

Modelnr./Type: RP0910, RP1110C

in serie zijn geproduceerd en

Voldoen aan de volgende Europese richtlijnen:

98/37/EC tot en met 28 december 2009 en daarna
aan 2006/42/EC vanaf 29 december 2009

En zijn gefabriceerd in overeenstemming met de volgende normen of genormaliseerde documenten:

EN60745

De technische documentatie wordt bewaard door onze erkende vertegenwoordiger in Europa, te weten:

Makita International Europe Ltd.

Michigan Drive, Tongwell,

Milton Keynes, MK15 8JD, Engeland

30 januari 2009





Tomoyasu Kato
Directeur

Makita Corporation
3-11-8, Sumiyoshi-cho,
Anjo, Aichi, JAPAN

Explicación de los dibujos

1 Pomo de ajuste	15 Llave	28 Tornillo
2 Barra de tope	16 Bloqueo del eje	29 Fresa
3 Indicador de profundidad	17 Apretar	30 Base
4 Tuerca de ajuste de la barra de tope	18 Aflojar	31 Plantilla
5 Pomo de bloqueo	19 Pinza cónica de tamaño correcto	32 Pieza de trabajo
6 Botón de avance rápido	20 Pieza de trabajo	33 Distancia (X)
7 Perno hexagonal de ajuste	21 Dirección de giro de la fresa	34 Diámetro exterior de la guía para plantilla
8 Bloque de tope	22 Dirección de avance	35 Conjunto de la boquilla
9 Tuerca de nylon	23 Vista desde la parte superior de la herramienta	36 Conjunto de la boquilla para polvo
10 Tuerca hexagonal	24 Guía recta	37 Marca límite
11 Botón de bloqueo	25 Tornillo de bloqueo	38 Tapón portaescobilla
12 Interruptor de gatillo	26 Superficie guía	39 Destornillador
13 Anillo de ajuste de velocidad	27 Guía de plantilla	

ESPECIFICACIONES

Modelo	RP0910	RP1110C
Capacidad máxima de la pinza	8 mm o 1/4"	8 mm o 1/4"
Profundidad de corte	0 – 57 mm	0 – 57 mm
Velocidad en vacío (min ⁻¹)	27.000	8.000 – 24.000
Altura total	260 mm	260 mm
Peso neto	3,3 kg	3,4 kg
Clase de seguridad	 /II	 /II

- Debido a un programa continuo de investigación y desarrollo, las especificaciones aquí dadas están sujetas a cambios sin previo aviso.
- Las especificaciones pueden ser diferentes de país a país.
- Peso de acuerdo con el procedimiento EPTA 01/2003

Uso previsto


La herramienta ha sido prevista para recortes y perfilados planos en madera, plástico y materiales similares.

Alimentación

La herramienta ha de conectarse solamente a una fuente de alimentación de la misma tensión que la indicada en la placa de características, y sólo puede funcionar con corriente alterna monofásica. El sistema de doble aislamiento de la herramienta cumple con la norma europea y puede, por lo tanto, usarse también en enchufes hembra sin conductor de tierra.

GEA010-1

Advertencias de seguridad generales para herramientas eléctricas

 **¡ADVERTENCIA!** Lea todas las advertencias de seguridad y todas las instrucciones. Si no sigue todas las advertencias e instrucciones podrá ocasionar una descarga eléctrica, un incendio y/o heridas graves.

Guarde todas las advertencias e instrucciones para futuras referencias.

GEB018-2

ADVERTENCIAS DE SEGURIDAD PARA LA REBAJADORA

1. **Sujete las herramientas eléctricas por las superficies de asimiento aisladas cuando realice una operación en la que la herramienta de corte pueda entrar en contacto con cableado oculto o con su propio cable.** El contacto con un cable con corriente hará que la corriente circule por las partes metálicas expuestas de la herramienta y podrá electrocutar al operario.
2. **Utilice mordazas u otros medios de sujeción prácticos para sujetar y apoyar la pieza de trabajo en una plataforma estable.** Sujetada con la mano o contra su cuerpo, la pieza de trabajo estará inestable y podrá ocasionar la pérdida del control.
3. **Protéjase los oídos cuando trabaje durante periodos prolongados.**
4. **Manipule con mucho cuidado estas brocas.**
5. **Compruebe con cuidado si existen grietas o daños en la broca antes de la operación. Reemplace inmediatamente la broca si está agrietada o dañada.**
6. **No corte clavos. Inspeccione antes de la operación la pieza de trabajo para ver si tiene clavos y sáquelos si los hay.**
7. **Sujete la herramienta firmemente con ambas manos.**
8. **Mantenga las manos apartadas de las piezas de rotación.**
9. **Asegúrese de que la broca no esté en contacto con la pieza de trabajo antes de conectar el interruptor.**

10. Antes de usar la herramienta en una pieza de trabajo, déjela un rato en funcionamiento. Observe si se producen vibraciones u ululaciones que pudieran indicar que la broca está mal colocada.
11. Tenga cuidado con la dirección de rotación de la broca y con la dirección de avance.
12. No deje la herramienta en marcha. Opere la herramienta sólo cuando la tenga en las manos.
13. Antes de sacar la herramienta de la pieza de trabajo, desconéctela siempre y espere a que la broca se pare por completo.
14. No toque la broca inmediatamente después de la operación; porque puede estar muy caliente y podría quemarse.
15. No ensucie la base de la herramienta con disolvente, gasolina, aceite, o productos semejantes. Pueden causar grietas en la base de la herramienta.
16. Preste atención a la necesidad de utilizar brocas de un diámetro de espiga correcto y apropiado para la velocidad de la herramienta.
17. Algunos materiales contienen sustancias químicas que podrán ser tóxicas. Tenga precaución para evitar la inhalación de polvo y el contacto con la piel. Siga los datos de seguridad del abastecedor del material.
18. Utilice siempre la mascarilla contra el polvo o el respirador correcto para el material con que esté trabajando y la aplicación que realice.

GUARDE ESTAS INSTRUCCIONES.

ADVERTENCIA:

NO deje que la comodidad o familiaridad con el producto (a base de utilizarlo repetidamente) sustituya la estricta observancia de las normas de seguridad para el producto en cuestión. El **MAL USO** o el **no seguir las normas de seguridad** establecidas en este manual de instrucciones podrá ocasionar graves heridas personales.

DESCRIPCIÓN DEL FUNCIONAMIENTO

PRECAUCIÓN:

- Asegúrese siempre de que la herramienta esté apagada y desenchufada antes de ajustar o comprobar cualquier función de la herramienta.

Ajuste de la profundidad de corte (Fig. 1)

Ponga la herramienta sobre una superficie plana.

Afloje el pomo de bloqueo y baje el cuerpo de la herramienta hasta que la fresa justo toque la superficie plana. Apriete el pomo de bloqueo para bloquear el cuerpo de la herramienta.

Gire la tuerca de ajuste de la barra de tope hacia la izquierda. Baje la barra de tope hasta que haga contacto con el perno de ajuste. Alinee el indicador de profundidad con la graduación "0". La profundidad de corte la marca el indicador de profundidad en la escala.

Mientras presiona el botón de avance rápido, suba la barra de tope hasta obtener la profundidad de corte deseada. Los ajustes de profundidad finos podrá realizarlos girando el pomo de ajuste (1 mm por vuelta.)

Girando la tuerca de ajuste de la barra de tope hacia la derecha, podrá apretar la barra de tope firmemente.

A continuación, la profundidad de corte que haya prede-terminado podrá obtenerla aflojando primero el pomo de bloqueo y bajando luego el cuerpo de la herramienta hasta que la barra de tope haga contacto con el perno de ajuste del bloque de tope.

Tuerca de nylon (Fig. 2)

El límite superior del cuerpo de la herramienta puede ajustarse girando la tuerca de nylon. Cuando la punta de la fresa esté más retraída de lo requerido en relación con la superficie de la placa base, gire la tuerca de nylon para bajar el límite superior.

PRECAUCIÓN:

- Dado que un corte excesivo puede crear una sobrecarga en el motor o dificultad en el control de la herramienta, la profundidad de corte deberá ser de no más de 15 mm por pasada cuando se abran acanaladuras con una fresa de 8 mm de diámetro.
- Cuando se abran acanaladuras con una fresa de 20 mm de diámetro, la profundidad de corte deberá ser de no más de 5 mm por pasada.
- Para abrir acanaladuras de mayor profundidad, haga dos o tres pasadas aumentando progresivamente la profundidad de la fresa.
- No baje demasiado la tuerca de nylon porque la fresa sobresaldrá peligrosamente.

Bloque de tope (Fig. 3)

El bloque de tope tiene tres pernos hexagonales de ajuste que lo bajan o suben 0,8 mm por vuelta. Usted podrá obtener fácilmente tres profundidades de corte diferentes utilizando estos pernos hexagonales de ajuste sin necesidad de reajustar la barra de tope.

Ajuste el perno hexagonal más bajo para obtener la profundidad de corte más profunda, siguiendo el método "Ajuste de la profundidad de corte". Ajuste los dos pernos hexagonales restantes para obtener profundidades de corte inferiores. Las diferencias de altura de estos pernos hexagonales son iguales que las diferencias en las profundidades de corte.

Para ajustar los pernos hexagonales, afloje en primer lugar las tuercas hexagonales de los pernos hexagonales con la llave y luego gire dichos pernos. Una vez obtenida la profundidad de corte deseada, apriete las tuercas hexagonales a la vez que sujeta los pernos hexagonales en esa posición deseada. La barra de tope también resulta conveniente para hacer tres pasadas aumentando progresivamente la profundidad de la fresa cuando se abran acanaladuras profundas.

Accionamiento del interruptor (Fig. 4)

PRECAUCIÓN:

- Antes de enchufar la herramienta, compruebe siempre para ver si el interruptor de gatillo se acciona correctamente y regresa a la posición "OFF" cuando lo suelta.
- Asegúrese siempre de que el bloqueo del eje esté liberado antes de activar el interruptor.

Para encender la herramienta, presione el botón de bloqueo y apriete el interruptor de gatillo. Suelte el interruptor de gatillo para pararla.

Para realizar una operación continua, apriete el gatillo y luego presione aún más el botón de bloqueo. Para parar la herramienta, apriete el gatillo de forma que el botón de bloqueo retorne automáticamente. Luego suelte el gatillo. Después de soltar el gatillo, la función de desbloqueo se accionará para impedir que el interruptor de gatillo pueda ser apretado.

Anillo de ajuste de velocidad (Fig. 5)

Para RP110C

La velocidad de la herramienta se puede cambiar girando el anillo de ajuste de velocidad a un número de ajuste determinado del 1 al 5.

Se obtendrá mayor velocidad cuando el anillo sea girado en la dirección del número 5. Y se obtendrá menor velocidad cuando sea girado en dirección del número 1.

Esto le permite seleccionar la velocidad ideal para el procesado óptimo del material, es decir, puede ajustar correctamente la velocidad de acuerdo con el material y el diámetro de la fresa.

Consulte la tabla para ver la relación existente entre las posiciones de los números del anillo de ajuste y la velocidad aproximada de herramienta.

Número	min ⁻¹
1	8.000
2	12.000
3	16.000
4	20.000
5	24.000

PRECAUCIÓN:

- El anillo de ajuste de velocidad puede girarse sólo hasta el número 5 y retroceder hasta el 1. No lo fuerce más allá del 5 o del 1, ya que de lo contrario podrá estropear la función de ajuste de velocidad.

MONTAJE

PRECAUCIÓN:

- Asegúrese siempre de que la herramienta esté apagada y desenchufada antes de realizar cualquier trabajo en ella.

Instalación o desmontaje de la fresa (Fig. 6 y 7)

PRECAUCIÓN:

- Instale la fresa firmemente. Utilice siempre únicamente la llave provista con la herramienta. Una fresa floja o muy apretada puede ser peligrosa.
- No apriete la tuerca de pinza sin insertar una fresa. Puede producir la rotura de la pinza cónica.

Inserte la fresa a tope en la pinza cónica. Presione el bloqueo del eje para mantener estacionario el eje y apriete la tuerca de pinza firmemente utilizando la llave. La herramienta sale de fábrica con una pinza cónica de 8 mm o 6,35 mm instalada. Cuando utilice fresas con otro diámetro de espiga, emplee la pinza cónica de tamaño correcto para la fresa que quiere usar.

Para desmontar la fresa, siga el procedimiento de instalación a la inversa.

OPERACIÓN

PRECAUCIÓN:

- Antes de la operación, asegúrese siempre de que el cuerpo de la herramienta se eleve automáticamente hasta el límite superior y que la fresa no sobresalga de la base de la herramienta cuando se afloje el pomo de bloqueo.

Coloque la base de la herramienta sobre la pieza de trabajo a cortar sin que la fresa haga contacto alguno con ella. Luego encienda la herramienta y espere hasta que la fresa alcance la velocidad completa. Baje el cuerpo de la herramienta y mueva la herramienta hacia delante sobre la superficie de la pieza de trabajo, manteniendo la base de la herramienta plana y avanzando suavemente hasta completar el corte.

Cuando realice cortes en bordes, la superficie de la pieza de trabajo deberá quedar en el lado izquierdo de la fresa en relación con la dirección de avance. (Fig. 8)

NOTA:

- Asegúrese de que la guía de polvo esté instalada correctamente.
- Si mueve la herramienta hacia delante muy rápidamente podrá dar lugar a cortes de mala calidad o dañar la fresa o el motor. Si la mueve muy lentamente podrá quemar o echar a perder el corte. La velocidad de avance apropiada dependerá del tamaño de la fresa, el tipo de pieza de trabajo y de la profundidad de corte. Antes de empezar a cortar en la pieza de trabajo definitiva, es recomendable hacer un corte de prueba en una pieza de madera de desecho. Con esto podrá ver el resultado exacto del corte y también comprobar las dimensiones.
- Cuando utilice la guía recta, asegúrese de instalarla en el lado derecho en relación con la dirección de avance. Esto le ayudará a mantenerla plana contra el borde de la pieza de trabajo. (Fig. 9)

Guía recta (Fig. 10, 11 y 12)

La guía recta resulta efectiva para utilizarla en cortes rectos al hacer chaflanes o acanaladuras.

Para instalar la guía recta, inserte las barras guía en los agujeros que hay en la base de la herramienta. Ajuste la distancia entre la fresa y la guía recta. A la distancia deseada, apriete el tornillo de bloqueo para sujetar la guía recta en posición.

Cuando corte, mueva la herramienta manteniendo la guía recta plana contra el borde de la pieza de trabajo.

Si la distancia entre el borde de la pieza de trabajo y la posición de corte es demasiado ancha para la guía recta, o si el borde de la pieza de trabajo no es recto, no podrá utilizar la guía recta. En este caso, sujete firmemente un tablero recto a la pieza de trabajo y utilícelo como guía contra la base de la rebajadora. Avance la herramienta en el sentido de la flecha.

Guía de plantilla (accesorio) (Fig. 13, 14 y 15)

La guía de plantilla contiene un manguito a través del cual pasa la fresa, permitiendo utilizar la herramienta con patrones de plantilla.

Para instalar la guía de plantilla, afloje los tornillos de la base de la herramienta, inserte la guía de plantilla y después apriete los tornillos.

Fije la plantilla a la pieza de trabajo. Ponga la herramienta sobre la plantilla y mueva la herramienta deslizando la guía de plantilla a lo largo del borde de la plantilla.

NOTA:

- El tamaño del corte realizado en la pieza de trabajo variará ligeramente con respecto a la plantilla. Cuente con una tolerancia para la distancia (X) entre la cuchilla de corte de la fresa y la parte exterior de la guía para plantilla. La distancia (X) puede calcularse usando la siguiente ecuación:
Distancia (X) = (Diámetro exterior de la guía para plantilla – diámetro exterior de corte de la fresa) / 2

Conexión de un aspirador Makita (Fig. 16)

Pueden realizarse tareas más limpias conectando a la fresadora un aspirador Makita.

Inserte el conjunto de la boquilla y el conjunto de la boquilla para polvo en la herramienta. Además, el conjunto de la boquilla para polvo podrá ser insertado directamente en la base de la herramienta de acuerdo con la tarea.

Cuando conecte el aspirador Makita (modelo 407), necesitará una manguera de 28 mm de diámetro interior opcional.

MANTENIMIENTO

PRECAUCIÓN:

- Cerciórese siempre de que la herramienta está apagada y desenchufada antes de emprender cualquier tarea de inspección o mantenimiento.
- No utilice nunca gasolina, bencina, disolvente, alcohol o similares. Podría producir descolocación, deformación o grietas.

Substitución de las escobillas de carbón

Extraiga e inspeccione regularmente las escobillas de carbón. Sustitúyalas cuando se hayan gastado hasta la marca límite. Mantenga las escobillas de carbón limpias de forma que entren libremente en los portaescobillas. Ambas escobillas de carbón deberán ser sustituidas al mismo tiempo. Utilice únicamente escobillas de carbón idénticas. (Fig. 17)

Utilice un destornillador para quitar los tapones portaescobillas. Extraiga las escobillas desgastadas, inserte las nuevas y fije los tapones portaescobillas. (Fig. 18)

Para mantener la SEGURIDAD y la FIABILIDAD del producto, las reparaciones y cualquier otro mantenimiento o ajuste deberán ser realizados por los centros de servicio autorizado de Makita, siempre con piezas de repuesto de Makita.

ACCESORIOS

PRECAUCIÓN:

- Estos accesorios o acoplamientos están recomendados para utilizar con su herramienta Makita especificada en este manual. El empleo de cualesquiera otros accesorios o acoplamientos conllevará un riesgo de sufrir heridas personales. Utilice los accesorios o acoplamientos solamente para su fin establecido.

Si necesita cualquier ayuda para más detalles en relación con estos accesorios, pregunte a su centro de servicio Makita local.

- Fresas rectas y de formación de ranuras
- Fresas de formación de bordes
- Fresas de recorte de laminados
- Guía recta
- Guía de plantilla 25
- Guías de plantilla
- Contratuerca
- Pinza cónica de 3/8", 1/4"
- Pinza cónica de 6 mm, 8 mm
- Llave 8
- Llave 17
- Conjunto de la boquilla para polvo
- Conjunto de la boquilla

ENG102-3

Ruido

El nivel de ruido A-ponderado típico determinado de acuerdo con la norma EN60745:

Para le modelo RP0910

Nivel de presión sonora (L_{pA}): 83 dB (A)
Nivel de potencia sonora (L_{WA}): 94 dB (A)
Error (K): 3 dB (A)

Para le modelo RP1110C

Nivel de presión sonora (L_{pA}): 81 dB (A)
Nivel de potencia sonora (L_{WA}): 92 dB (A)
Error (K): 3 dB (A)

Póngase protectores en los oídos

ENG223-2

Vibración

El valor total de la vibración (suma de vectores triaxiales) determinado de acuerdo con la norma EN60745:

Para le modelo RP0910

Modo tarea: realización de ranuras en MDF
Emisión de vibración (a_h): 8,0 m/s²
Error (K): 1,5 m/s²

Para le modelo RP1110C

Modo tarea: realización de ranuras en MDF
Emisión de vibración (a_h): 5,0 m/s²
Error (K): 1,5 m/s²

- El valor de emisión de vibración declarado ha sido medido de acuerdo con el método de prueba estándar y se puede utilizar para comparar una herramienta con otra.
- El valor de emisión de vibración declarado también se puede utilizar en una valoración preliminar de exposición.

ADVERTENCIA:

- La emisión de vibración durante la utilización real de la herramienta eléctrica puede variar del valor de emisión declarado dependiendo de las formas en las que la herramienta sea utilizada.
- Asegúrese de identificar medidas de seguridad para proteger al operario que estén basadas en una estimación de la exposición en las condiciones reales de utilización (teniendo en cuenta todas las partes del ciclo operativo tal como las veces cuando la herramienta está apagada y cuando está funcionando en vacío además del tiempo de gatillo).

ENH101-13

Para países europeos solamente

Declaración de conformidad CE

Makita Corporation como fabricante responsable declara que la(s) siguiente(s) máquina(s) de Makita:

Designación de máquina:

Rebajadora

Rebajadora Electrónica

Modelo N°/Tipo: RP0910, RP1110C

son producidas en serie y

Cumplen con las directivas europeas siguientes:

98/37/EC hasta el 28 de diciembre de 2009 y después con 2006/42/EC desde el 29 de diciembre de 2009

Y que están fabricadas de acuerdo con las normas o documentos normalizados siguientes.

EN60745

Los documentos técnicos los guarda nuestro representante autorizado en Europa cuya persona es:

Makita International Europe Ltd.

Michigan Drive, Tongwell,

Milton Keynes, MK15 8JD, Inglaterra

30 de enero de 2009



Tomoyasu Kato



Director

Makita Corporation
3-11-8, Sumiyoshi-cho,
Anjo, Aichi, JAPAN

Explicação geral

1 Botão de regulação	14 Porca do mandril	27 Guia para molde
2 Haste do bujão	15 Chave	28 Parafuso
3 Ponteiro de profundidade	16 Bloqueio do veio	29 Fresa
4 Porca de ajuste da haste do bujão	17 Apertar	30 Base
5 Botão de bloqueio	18 Soltar	31 Molde
6 Botão de alimentação rápida	19 Cone de mandril com o tamanho correcto	32 Peça de trabalho
7 Perno hexagonal de regulação	20 Peça de trabalho	33 Distância (X)
8 Bloco de fim de curso	21 Direcção do movimento da broca	34 Diâmetro exterior da guia para moldes
9 Porca de nylon	22 Direcção da alimentação	35 Conjunto de bocal
10 Porca hexagonal	23 Vista do topo da ferramenta	36 Conjunto de bocal para pó
11 Botão de bloqueio	24 Guia recta	37 Marca limite
12 Gatilho	25 Parafuso de bloqueio	38 Tampa do porta escovas
13 Marcador de regulação da velocidade	26 Superfície guia	39 Chave de parafusos

ESPECIFICAÇÕES

Modelo	RP0910	RP110C
Capacidade máxima do mandril	8 mm ou 1/4"	8 mm ou 1/4"
Profundidade de corte	0–57 mm	0–57 mm
Velocidade em vazio (min ⁻¹)	27.000	8.000–24.000
Comprimento total	260 mm	260 mm
Peso líquido	3,3 kg	3,4 kg
Classe de segurança	 /II	 /II

- Devido a um programa contínuo de pesquisa e desenvolvimento, estas especificações podem ser alteradas sem aviso prévio.
- As especificações podem variar de país para país.
- Peso de acordo com o Procedimento 01/2003 da EPTA (European Power Tool Association)

Utilização pretendida

A ferramenta foi concebida para recortes nivelados e perfilação de madeira, plásticos e materiais semelhantes.

Alimentação

A ferramenta só deve ser ligada a uma fonte de alimentação com a mesma voltagem da indicada na placa de características, e só funciona com alimentação CA monofásica. Tem um sistema de isolamento duplo de acordo com as normas europeias e pode, por isso, utilizar tomadas sem ligação à terra.

GEA010-1

Avisos gerais de segurança para ferramentas eléctricas

⚠ AVISO! Leia todas as avisos de segurança e todas as instruções. O não cumprimento de todos os avisos e instruções pode originar choque eléctrico, incêndio e/ou ferimentos graves.

Guarde todos os avisos e instruções para futuras referências.

GEB018-2

AVISOS DE SEGURANÇA PARA A TUPIA

1. **Agarre nas ferramentas eléctricas pelas partes isoladas quando executa uma operação em que a ferramenta de corte pode entrar em contacto com qualquer fio escondido ou com o seu próprio cabo.** O contacto com um fio "vivo" tornará as partes metálicas expostas "vivas" e chocará o operador.

2. **Utilize grampos ou qualquer outra maneira prática para prender e suportar a peça de trabalho numa plataforma estável.** Pegar na peça de trabalho com a mão ou contra o seu corpo torna-a instável e pode perder o controlo.
3. **Utilize protectores para os ouvidos durante trabalhos prolongados.**
4. **Tenha muito cuidado quando manusear as fresas.**
5. **Antes da operação inspeccione cuidadosamente a fresa para detectar qualquer defeito ou fissura.** Substitua-a imediatamente se tiver defeitos ou fissuras.
6. **Não corte pregos.** Antes da operação inspeccione a superfície de trabalho e retire os pregos que possam existir.
7. **Segure na ferramenta com firmeza com ambas as mãos.**
8. **Mantenha as mãos afastadas das peças em rotação.**
9. **Certifique-se de que a fresa não está em contacto com a superfície de trabalho antes de ligar o interruptor.**
10. **Antes de utilizar a ferramenta na superfície de trabalho, deixe-a funcionar durante alguns momentos.** Observe se se produzem vibrações ou ressonâncias que possam indicar uma montagem incorrecta ou defeito da fresa.
11. **Verifique com cuidado o sentido de rotação da fresa e o sentido do corte.**
12. **Não deixe a ferramenta a funcionar sozinha.** Trabalhe com ela apenas quando puder segurá-la com as mãos.
13. **Antes de retirar a ferramenta da superfície de trabalho, desligue-a sempre e aguarde que a fresa esteja completamente parada.**
14. **Não toque na fresa imediatamente depois da operação porque pode estar muito quente e causar queimaduras.**

15. Tenha cuidado para não deixar cair diluente, gasolina, óleo ou qualquer material semelhante na base da ferramenta. Pode causar fendas na base da ferramenta.
16. Preste atenção à necessidade de utilizar fresas com o diâmetro de encaixe correcto e adequados à velocidade da ferramenta.
17. Alguns materiais contêm químicos que podem ser tóxicos. Tenha cuidado para evitar inalação de pó e contacto com a pele. Siga o dados de segurança do fornecedor do material.
18. Use sempre a máscara para o pó/respirador apropriado para o material e aplicação com que está a trabalhar.

GUARDE ESTAS INSTRUÇÕES.

AVISO:

NÃO permita que o conforto ou a familiaridade com o produto (adquirido com a utilização repetida) substitua a aderência estrita às regras de segurança da ferramenta. MÁ INTERPRETAÇÃO ou não seguimento das regras de segurança estabelecidas neste manual de instruções pode causar danos pessoais sérios.

DESCRIÇÃO FUNCIONAL

PRECAUÇÃO:

Certifique-se sempre de que a ferramenta está desligada e a ficha retirada da tomada antes de regular ou verificar o funcionamento da ferramenta.

Regulação da profundidade de corte (Fig. 1)

Coloque a ferramenta numa superfície plana. Solte o botão de bloqueio e desça o corpo da ferramenta até que a fresa toque ligeiramente na superfície plana. Aperte o botão de bloqueio para prender o corpo da ferramenta.

Rode a porca de ajuste da haste do bujão no sentido contrário ao dos ponteiros do relógio. Desça a haste do bujão até que faça contacto com o perno de regulação. Alinhe o ponteiro de profundidade com a graduação "0". A profundidade de corte é indicada na escala pelo ponteiro de profundidade.

Enquanto pressiona o botão de alimentação rápida, levante a haste do bujão até que obtenha a profundidade de corte desejada. Pode obter ajustes de profundidade mínimos rodando o botão de regulação (1 mm por volta). Rodando a porca de ajuste da haste do bujão no sentido dos ponteiros do relógio, pode apertar a haste do bujão com firmeza.

A sua profundidade de corte pré-definida pode ser obtida soltando o botão de bloqueio e descendo o corpo da ferramenta até que a haste do bujão faça contacto com o perno de regulação do bloco de fim de curso.

Porca de nylon (Fig. 2)

Rodando a porca de nylon, pode regular a parte superior do corpo da ferramenta. Quando a ponta da fresa está retraída mais do que o requerido relativamente à superfície da placa base, rode a porca de nylon para descer a parte superior.

PRECAUÇÃO:

- Dado que corte excessivo pode causar sobrecarga do motor ou dificuldade em controlar a ferramenta, a profundidade de corte não deve ser mais do que 15 mm por passagem quando corta ranhuras com uma fresa com 8 mm de diâmetro.

- Quando corta ranhuras com uma fresa com 20 mm de diâmetro, a profundidade de corte não deve ser superior a 5 mm por passagem.
- Para fazer ranhuras extraordinariamente profundas, faça duas ou três passagens com ajustes progressivos de profundidade da fresa.
- Não desça demasiadamente a porca de nylon ou a fresa poderá ficar perigosamente saliente.

Bloco de fim de curso (Fig. 3)

O bloco de fim de curso tem três pernos hexagonais de regulação que levantam ou baixam 0,8 mm por volta. Pode facilmente obter três diferentes profundidades de corte utilizando estes pernos hexagonais de regulação sem voltar a regular a haste do bujão.

Regule o perno hexagonal inferior para obter o corte de máxima profundidade, seguindo o método descrito em "Regulação da profundidade de corte". Regule os dois pernos hexagonais restantes para obter cortes com menos profundidade.

As diferenças de altura destes pernos hexagonais é igual às diferenças de profundidade de corte.

Para regular estes pernos hexagonais, primeiro liberte as porcas hexagonais nos pernos hexagonais com a chave e em seguida rode os pernos hexagonais. Depois de obter a posição desejada, aperte as porcas hexagonais enquanto mantêm os pernos hexagonais na posição desejada. O bloco de fim de curso também é conveniente para fazer três passagens com ajustes progressivos de profundidade da fresa quando corta ranhuras profundas.

Ação do interruptor (Fig. 4)

PRECAUÇÃO:

- Antes de ligar a ferramenta à corrente, certifique-se sempre de que o interruptor funciona correctamente e volta para a posição "OFF" quando libertado.
- Certifique-se de que o bloqueio do veio está libertado antes de apertar o gatilho.

Para iniciar a ferramenta, pressione o botão de segurança e aperte o gatilho. Liberte o gatilho para parar. Para operação contínua, aperte o gatilho e em seguida pressione ainda mais o botão de segurança. Para parar a ferramenta, aperte o gatilho de modo a que o botão de bloqueio se solte automaticamente. Em seguida liberte o gatilho.

Depois de libertar o gatilho, a função de desbloqueio funciona para evitar que o gatilho seja apertado.

Marcador de regulação de velocidade (Fig. 5)

Para a RP1110C

A velocidade da ferramenta pode ser regulada rodando o marcador de regulação da velocidade para um dos números de 1 a 5.

Rodar o marcador na direcção do número 5 aumenta a velocidade e rodar na direcção do número 1 a diminui. Isto permite seleccionar a velocidade ideal para melhor processamento do material, ou seja, a velocidade pode ser regulada correctamente de acordo com o material e o diâmetro da fresa.

Refira-se à tabela para a relação entre os números de ajuste no marcador e a velocidade aproximada de ferramenta.

Número	min ⁻¹
1	8.000
2	12.000
3	16.000
4	20.000
5	24.000

PRECAUÇÃO:

- O marcador de regulação de velocidade só pode ser rodado até ao 5 e a partir do 1. Não o force para passar o 5 ou 1 ou a função de regulação de velocidade pode deixar de funcionar.

MONTAGEM

PRECAUÇÃO:

- Certifique-se sempre de que a ferramenta está desligada e a ficha retirada da tomada antes de executar qualquer trabalho na ferramenta.

Instalar ou retirar a fresa (Fig. 6 e 7)

PRECAUÇÃO:

- Instale a fresa firmemente. Utilize somente a chave fornecida com a ferramenta. Uma fresa frouxa ou apertada demais pode ser perigosa.
- Não aperte a porca do mandril sem introduzir a fresa. Caso contrário, o cone do mandril pode partir-se.

Coloque a fresa até o fim no cone do mandril. Pressione o bloqueio do veio para manter estável o veio e utilize a chave para apertar seguramente a porca do mandril.

Um cone de mandril de 8 mm ou 6,35 mm foi instalado na fábrica. Quando utiliza fresas com outro diâmetro de encaixe, utilize um cone de mandril com o tamanho correcto para a fresa que pretende utilizar.

Para retirar a fresa, execute inversamente o procedimento de instalação.

OPERAÇÃO

PRECAUÇÃO:

- Antes do funcionamento, certifique-se sempre de que o corpo da ferramenta automaticamente sobe até o limite superior e que a fresa não sobressai da base da ferramenta ao soltar o botão de bloqueio.

Coloque a base da ferramenta na peça de trabalho a ser cortada sem que a fresa faça qualquer contacto. Em seguida ligue a ferramenta e espere até que a fresa atinja a velocidade máxima. Desça o corpo da ferramenta e deslize a ferramenta para a frente sobre a superfície da peça de trabalho, mantendo a base da ferramenta nivelada e avance devagar até que o corte esteja terminado.

Quando faz cortes de extremidades, a superfície da peça de trabalho deve estar do lado esquerdo da fresa na direcção de alimentação. (Fig. 8)

NOTA:

- Certifique-se de que a guia do pó está instalada correctamente.

- Mover a ferramenta para a frente com muita velocidade pode causar má qualidade do corte ou estragar a fresa ou o motor. Mover a ferramenta para a frente muito devagar pode queimar e arruinar o corte. A alimentação correcta depende do tamanho da fresa, o material da peça de trabalho e da profundidade do corte. Antes de iniciar o corte na peça de trabalho é aconselhável que faça um corte num pedaço de madeira. Isto mostrará exactamente como é que o corte ficará e também lhe permite verificar as dimensões.
- Quando utiliza a guia recta, certifique-se de que a instala no lado direito da direcção de alimentação. Isto ajudará a manter nivelada com o lado da peça de trabalho. (Fig. 9)

Guia recta (Fig. 10, 11 e 12)

A guia recta é utilizada efectivamente para cortes direitos quando chanfra ou faz ranhuras.

Para instalar a guia recta, coloque as barras da guia nos orifícios na base da ferramenta. Regule a distância entre a fresa e a guia recta. Na distância desejada aperte o parafuso de segurança para prender a guia recta no seu lugar.

Quando corta, movimente a ferramenta com a guia recta niveladas com o lado da peça de trabalho.

Se a distância entre o lado da peça de trabalho e a posição de corte for muito ampla para a guia recta, ou se o lado da peça de trabalho não for recto, não pode utilizar a guia recta. Neste caso, prenda uma placa firmemente à peça de trabalho e utilize-a como uma guia contra a base da tupa. Avance a ferramenta no sentido da seta.

Guia para molde (acessório) (Fig. 13, 14 e 15)

O guia para molde tem uma manga através da qual passa a fresa, permitindo a utilização da ferramenta com padrões de molde.

Para instalar a guia para molde, solte os parafusos da base da ferramenta, coloque o guia para moldes e aperte os parafusos.

Prenda a guia à peça de trabalho. Coloque a ferramenta na guia e mova a ferramenta com a guia para molde a deslizar ao longo do molde.

NOTA:

- A medida do corte será ligeiramente diferente do molde. Deve deixar uma distância (X) entre a fresa e o exterior da guia para moldes. A distância (X) pode ser calculada utilizando a seguinte equação:
Distância (X) = (diâmetro exterior da guia para moldes - diâmetro da fresa) / 2

Ligação de um aspirador Makita (Fig. 16)

Podem executar operações mais limpas ligando a fresadora a uma aspirador Makita.

Coloque o conjunto de bocal e o conjunto de bocal para pó na ferramenta. O conjunto de bocal para pó pode ser inserido directamente na base da ferramenta de acordo com a operação.

Quando liga um aspirador Makita (Modelo 407), necessita de uma mangueira opcional com 28 mm de diâmetro interior.

MANUTENÇÃO

PRECAUÇÃO:

- Antes de efectuar qualquer inspecção ou manutenção, desligue sempre a ferramenta e retire a ficha da tomada de corrente.
- Nunca utilize gasolina, benzina, diluente, álcool ou produtos semelhantes. Pode ocorrer a descoloração, deformação ou rachaduras.

Substituição das escovas de carvão

Retire e verifique regularmente as escovas de carvão. Substitua-as quando estiverem gastas até à marca limite. Mantenha as escovas de carvão limpas e a deslizar nos suportes. As duas escovas de carvão devem ser substituídas ao mesmo tempo. Só utilize escovas de carvão idênticas. (Fig. 17)

Utilize uma chave de parafusos para retirar as tampas do porta-escovas. Retire as escovas de carvão usadas, coloque as novas e prenda as tampas dos porta-escovas. (Fig. 18)

Para manter a SEGURANÇA e FIABILIDADE, as reparações e outras acções de manutenção ou ajustes devem ser executados pelos Centros de assistência autorizados da Makita, utilizando sempre peças de substituição Makita.

ACESSÓRIOS

PRECAUÇÃO:

- Estes acessórios ou peças extra são recomendadas para utilização com a sua ferramenta Makita especificada neste manual. A utilização de qualquer outros acessórios ou peças extra podem apresentar o risco de ferimentos. Só utilize os acessórios ou peças extras para o fim a que são destinados.

Se necessitar de informações adicionais relativas a estes acessórios, solicite-as ao seu centro de assistência Makita.

- Fresas de cortes rectos e ranhuras
- Fresas de bordeamento
- Fresas de recorte de laminados
- Guia recta
- Guia para molde 25
- Guias para molde
- Porca de bloqueio
- Cone do mandril 3/8", 1/4"
- Cone do mandril 6 mm, 8 mm
- Chave 8
- Chave 17
- Conjunto de bocal para pó
- Conjunto de bocal

ENG102-3

Ruído

A característica do nível de ruído A determinado de acordo com EN60745:

Para Modelo RP0910

Nível de pressão de som (L_{pA}): 83 dB (A)

Nível do som (L_{WA}): 94 dB (A)

Variabilidade (K): 3 dB (A)

Para Modelo RP1110C

Nível de pressão de som (L_{pA}): 81 dB (A)

Nível do som (L_{WA}): 92 dB (A)

Variabilidade (K): 3 dB (A)

Utilize protectores para os ouvidos

Vibração

Valor total da vibração (soma vectorial tri-axial) determinado conforme EN60745:

Para Modelo RP0910

Modo de funcionamento: cortar ranhuras em MDF

Emissão de vibração (a_{h1}): 8,0 m/s²

Variabilidade (K): 1,5 m/s²

Para Modelo RP1110C

Modo de funcionamento: cortar ranhuras em MDF

Emissão de vibração (a_{h1}): 5,0 m/s²

Variabilidade (K): 1,5 m/s²

ENG901-1

- O valor da emissão de vibração indicado foi medido de acordo com o método de teste padrão e pode ser utilizado para comparar duas ferramentas.
- O valor da emissão de vibração indicado pode também ser utilizado na avaliação preliminar da exposição.

AVISO:

- A emissão de vibração durante a utilização real da ferramenta eléctrica pode diferir do valor de emissão indicado, dependendo das formas como a ferramenta é utilizada.
- Certifique-se de identificar as medidas de segurança para protecção do operador que sejam baseadas em uma estimativa de exposição em condições reais de utilização (considerando todas as partes do ciclo de operação, tal como quando a ferramenta está desligada e quando está a funcionar em marcha lenta além do tempo de accionamento).

ENH101-13

Só para países Europeus

Declaração de conformidade CE

Nós, a Makita Corporation, fabricante responsável, declaramos que a(s) seguinte(s) ferramenta(s) Makita:

Designação da ferramenta:

Tupia

Tupia Eletrônica

Modelos n°/Tipo: RP0910, RP1110C

são de produção de série e

Em conformidade com as seguintes directivas europeias:

98/37/EC até 28 de dezembro de 2009 e 2006/42/EC a partir de 29 de dezembro 2009

E estão fabricados de acordo com as seguintes normas ou documentos normativos:

EN60745

A documentação técnica é mantida pelo nosso representante autorizado na Europa:

Makita International Europe Ltd.

Michigan Drive, Tongwell,

Milton Keynes, MK15 8JD, Inglaterra

30 de janeiro de 2009



Tomoyasu Kato
Director

Makita Corporation
3-11-8, Sumiyoshi-cho,
Anjo, Aichi, JAPAN

Illustrationsoversigt

1 Justerbar håndtag	14 Spændepatronmøtrik	27 Kopiring
2 Anslagsspindel	15 Gaffelnøgle	28 Skrue
3 Dybdeangiver	16 Spindellås	29 Fræseværktøj
4 Indstillingsmøtrik for anslags-spindel	17 Spænd	30 Land
5 Låsehåndtag	18 Løsn	31 Skabelon
6 Hurtig-indstillingsknap	19 Korrekt størrelse spændepatron	32 Emne
7 Justerbar anslagskrue	20 Emne	33 Afstand (X)
8 Anslagsblok	21 Omløbsretning	34 Ydre diameter på kopiringe
9 Nylonmøtrik	22 Fremførelsesretning	35 Adapter for sug
10 Kontramøtrik	23 Set ovenfra	36 Udsugningsstuds
11 Spærreknap	24 Parallellanslag	37 Slidmarkering
12 Afbryderknap	25 Vingemøtrik	38 Kuldæksel
13 Hastighedsvælger	26 Anslagsoverflade	39 Skruetrækker

SPECIFIKATIONER

Model	RP0910	RP110C
Maks. spændepatronkapacitet	8 mm eller 1/4"	8 mm eller 1/4"
Fræsedybde	0–57 mm	0–57 mm
Omdrejninger (min ⁻¹)	27 000	8 000–24 000
Samlet højde	260 mm	260 mm
Vægt	3,3 kg	3,4 kg
Sikkerhedsklasse	II / I	II / I

- Ret til tekniske ændringer forbeholdes.
- Tekniske data kan variere fra land til land.
- Vægt i henhold til EPTA-Procedure 01/2003

Tilsigtet anvendelse

Denne maskine er beregnet til planfræsning og profilering af træ, plast og lignende materialer.

Netsspænding

Maskinen må kun tilsluttes den netspænding, der er angivet på typeskiltet. Maskinen arbejder på enkeltfaset vekselspænding og er dobbeltisoleret iht. de europæiske normer og må derfor tilsluttes en stikkontakt uden jordtilslutning.

GEA010-1

Almindelige sikkerhedsregler for el-værktøj

⚠ ADVARSEL! Læs alle sikkerhedsadvarsler og alle sikkerhedsinstruktioner. Hvis nedenstående advarsler og instruktioner ikke overholdes, kan resultatet blive elektrisk stød, brand og/eller alvorlig personskade.

Gem alle advarsler og instruktioner til fremtidig reference.

GEB018-2

SIKKERHEDSADVARSLER FOR OVERFRÆSER

1. Hold altid el-værktøj i de isolerede greb, når der udføres arbejde, hvor den skærende maskine kan komme i berøring med skjulte ledninger eller dens egen ledning. Berøring med en "strømførende" ledning vil gøre maskinens metaldele "strømførende" og give operatøren stød.
2. Anvend skruevinger eller en anden praktisk måde at fastholde og støtte arbejdsstykket på en stabil flade. Hvis De holder arbejdsstykket fast med hånden eller holder det mod kroppen, vil det blive ustabil, hvilket kan føre til, at De mister kontrollen over det.
3. Brug høreværn ved vedvarende arbejde.

4. Fræseværktøj bør behandles med omhu.
5. Fræseværktøjet kontrolleres omhyggeligt med hensyn til revner og beskadigelser. Revnede eller beskadigede fræseværktøjer skal omgående skiftes ud.
6. Kontroller emnet omhyggeligt for søm/skruer og fjern dem før arbejdet påbegyndes.
7. Hold godt fast på maskinen med begge hænder.
8. Hold hænderne væk fra roterende dele.
9. Sørg for at fræseværktøjet ikke rører ved emnet, når maskinen startes.
10. Lad maskinen køre i tomgang et øjeblik før arbejdet påbegyndes. Vær opmærksom på vibrationer og andet, der kan være et tegn på, at fræseværktøjet er monteret forkert.
11. Tag altid hensyn til fræseværktøjets omløbsretning og fremførelsesretning.
12. Lad ikke værktøjet køre uden opsyn. Start det kun når det holdes i hånden.
13. Sluk altid maskinen og vent indtil fræseværktøjet er helt stoppet, før maskinen fjernes fra emnet.
14. Rør ikke ved fræseværktøjet umiddelbart efter brug; det kan være ekstremt varmt og medføre forbrændinger.
15. Vær forsigtig med ikke at smøre fortynder, benzin, olie eller lignende på maskinens base. Det kan forårsage revner.
16. Vær opmærksom på nødvendigheden af at anvende fræservesværktøj med korrekt skaftdiameter, samtidig med at værktøjet skal passe til maskinens hastighed.
17. Visse materialer indeholder kemikalier, som kan være giftige. Vær påpasselig med ikke at indånde støv eller få disse materialer på huden. Følg sikkerhedsforskrifterne fra fabrikanten af materialet.

18. Anvend altid en korrekt støvmaske/respirator, som passer til det materiale og den arbejds metode, De anvender.

GEM DISSE FORSKRIFTER.

ADVARSEL:

Lad IKKE bevemmelighed eller kendskab til produktet (opnået gennem gentagen anvendelse) erstatte nøje overholdelse af sikkerhedsreglerne for det pågældende produkt. MISBRUG eller forsømmelse af at følge de i denne brugsvejledning givne sikkerhedsforskrifter kan føre til, at De kommer alvorligt til skade.

FUNKTIONSBESKRIVELSE

FORSIGTIG:

- Sørg altid for, at der er slukket for maskinen og at den er taget ud af forbindelse, inden maskinens funktion justeres eller kontrolleres.

Justering af fræsedybde (Fig. 1)

1 Sæt maskinen på en plan overflade.

Løsn låsehåndtaget og sænk maskinhuset, indtil fræseværktøjet netop rører det jævne underlag. Spænd låsehåndtaget for at låse maskinhuset fast.

Drej indstillingsmøtrikken for anslagsspindlen mod uret. Sænk anslagsspindlen, indtil den berører den justerbare anslagsskrue. Placér dybdeangiveren ud for "0" gradangiveren. Fræsedybde angives på skalaen af dybdeangiveren.

Mens hurtig-indstillingsknappen holdes inde, hæves anslagsspindlen, indtil den ønskede fræsedybde er fundet. Meget små dybdejusteringer kan foretages ved at dreje anslagsspindlen (1 mm pr. omdrejning).

Anslagsspindlen kan fastgøres forsvarligt ved at dreje indstillingsmøtrikken for anslagsspindlen med uret.

Den forudbestemte fræsedybde kan opnås ved at løsne anslagsspindlen og derefter sænke maskinhuset, indtil anslagsspindlen rører ved den justerbare anslagsskrue på anslagsblokken.

Nylon-møtrik (Fig. 2)

Den øverste grænse på maskinen kan justeres ved at dreje nylon-møtrikken. Når spidsen på fræseværktøjet er trukket længere tilbage end påkrævet i forhold til landets overflade, drejes nylonmøtrikken for at sænke den øverste grænse.

FORSIGTIG:

- Eftersom overdreven fræsedybde kan forårsage overbelastning af motoren, eller besvær med at kontrollere maskinen, bør fræsedybden ikke være mere end 15 mm ved en bearbejdning, når der fræses noter med et 8 mm diameter fræseværktøj.
- Fræsedybden ved notbearbejdning med et 20 mm diameter fræseværktøj må ikke være mere end 5 mm ved en bearbejdning.
- Ved særlig dyb notbearbejdning skal der gennemføres to eller tre arbejds gange med tiltagende dybere indstilling af fræsedybden.
- Nylon-møtrikken må ikke drejes for langt ned, fordi fræseværktøjet så på farlig måde rager for langt frem.

Anslagsblok (Fig. 3)

Anslagsblokken har tre justerbare anslagsskruer, der hæver eller sænker 0,8 mm per omdrejning. De kan nemt opnå tre forskellige fræsedybder ved at bruge disse justerbare anslagsskruer uden at skulle justere anslagsspindlen igen.

Justér den nederste sekskantbolt for at opnå en fræsning af den største dybde, idet metoden i "Justering af fræsedybde" følges. Justér de to resterende anslagsskruer for at opnå mindre dybe fræsninger. Forskellen i højden på disse anslagsskruer svarer til forskellen i fræsedybden. For at justere anslagsskruerne løsnes først kontramøtrikkerne på anslagsskruerne med gaffeløglen, hvorefter anslagsskruerne drejes. Efter at den ønskede position er opnået, spændes kontramøtrikkerne, mens anslagsskruerne holdes i den ønskede position. Anslagsblokken er også en bekvem hjælp, når der skal laves tre bearbejdninger med gradvist dybere værktøjsindstilling, når der skal skræres dybe noter.

Afbryderbetjening (Fig. 4)

FORSIGTIG:

- Før netledningen sættes i stikkontakten, skal det altid kontrolleres, at afbryderen fungerer korrekt og vender tilbage til "OFF" positionen, når den slippes.
- Kontrollér at spindelåsen er frigjort, før der tændes med afbryderen.

For at starte maskinen holdes spærreknappen inde, mens der trykkes på afbryderen.

Ved vedvarende arbejde trykkes afbryderen ind, hvorefter spærreknappen trykkes længere ind. For at slukke maskinen trykkes på afbryderen, således at spærreknappen automatisk returnerer.

Slip dernæst afbryderen. Efter at afbryderen er sluppet, virker løslade funktion og forhindrer, at afbryderen kan trykkes ind.

Hastighedsindstilling (Fig. 5)

For model RP110C

Maskinens hastighed kan ændres ved at man drejer hastighedsvælgeren til en given nummerindstilling fra 1 til 5.

En højere hastighed kan opnås, hvis hastighedsvælgeren drejes i retning af nummer 5. En lavere hastighed kan opnås, hvis hastighedsvælgeren drejes i retning af nummer 1.

Dette muliggør valg af optimalt omdrejningstal til bedst mulig bearbejdelse af materialet, dvs. omdrejningstallet kan tilpasses nøjagtigt til det pågældende materiale og til fræseværktøjets diameter.

Se tabellen for forholdet mellem tallene på hastighedsvælgeren og den omtrentlige maskinhastighed.

Tal	min ⁻¹
1	8 000
2	12 000
3	16 000
4	20 000
5	24 000

FORSIGTIG:

- Hastighedsvælgeren kan kun drejes til 5 og tilbage til 1. Forsøg ikke at tvinge den forbi 5 eller 1, da anordningen til regulering af hastigheden kan blive ødelagt.

SAMLING

FORSIGTIG:

- Sørg altid for at maskinen er slukket og netstikket trukket ud, inden der foretages noget arbejde på selve maskinen.

Montering og afmontering af fræseværktøjet (Fig. 6 og 7)

FORSIGTIG:

- Monter fræseværktøjet på sikker vis. Anvend altid kun den nøgle, der følger med maskinen. Et fræseværktøj, der er løst eller strammet for meget, kan være farligt.
- Undlad at stramme spændepatronmøtrikken, hvis fræseværktøjet ikke er monteret. Dette kan bevirke, at spændepatronindsatsen brækker.

Sæt fræseværktøjet hele vejen ind i spændepatronindsatsen. Tryk på spindellåsen for at holde spindelen stationær og anvend nøglen til at stramme spændepatronmøtrikken godt til.

En 8 mm eller 6,35 mm spændepatronindsats er påmonteret inden leveringen fra fabrikken. Hvis man anvender fræseværktøj med en anden spindeldiameter, skal man anvende en spændepatronindsats, der er beregnet til det fræseværktøj, der agtes anvendt.

Fræseværktøjet fjernes ved at man følger proceduren for montering i den modsatte rækkefølge.

ANVENDELSE

FORSIGTIG:

- Inden anvendelsen skal man altid være sikker på, at maskinhuset hæves til den øvre grænse og at fræseværktøjet ikke stikker frem fra maskinens base, når låsehåndtaget løsnes.

Placér maskinens land på emnet, der skal fræses, uden at fræseværktøjet er i kontakt med emnet. Tænd derefter for maskinen og vent, indtil fræseværktøjet opnår fuld hastighed. Sænk maskinhuset og før maskinen fremad jævnt henover emnets overflade, idet maskinens land holdes i plan.

Når der skæres kanter, skal emnets overflade være på venstre side af fræseværktøjet i fremførelsesretningen. (Fig. 8)

BEMÆRK:

- Sørg for at støvaf sugningen er monteret korrekt.
- Hvis maskinen føres for hurtigt frem vil det give en fræsning af ringe kvalitet, eller der kan ske skade på fræseværktøjet eller motoren. For langsom fremføring af maskinen kan brænde eller skæmme fræsningen. Den passende fremførelses hastighed vil afhænge af fræseværktøjets størrelse, emnets art og fræsedybden. Før der begyndes fræsning på det rigtige emne, tilrådes det at lave en prøvefræsning på et stykke affaldstræ. Dette vil vise præcist, hvordan fræsningen vil se ud, samt gøre det muligt at tjekke dimensionerne.
- Når der anvendes et parallelanslag skal det sikres, at det monteres på højre side i fremførelsesretningen. Dette vil holde det i plan med siden på emnet. (Fig. 9)

Parallelanslag (Fig. 10, 11 og 12)

Parallelanslaget er effektivt til brug ved lige fræsninger, når der affases eller laves riller.

For at montere parallelanslaget sættes styreanslagene ind i hullerne på maskinens land. Justér afstanden mellem fræseværktøjet og parallelanslaget. Når den ønskede afstand er fundet, spændes vingemøtrikken for at holde parallelanslaget på plads.

Når der fræses, bevæges maskinen med parallelanslaget i flugt med siden på emnet.

Hvis afstanden mellem siden på emnet og fræsepositionen er for bred til parallelanslaget, eller hvis siden på emnet ikke er lige, kan parallelanslaget ikke anvendes. I så tilfælde spændes et lige bræt godt fast til emnet, hvorefter dette anvendes som anslag mod landet på overfræsere. Fremfør maskinen i den med pilen viste retning.

Kopiring (Tilbehør) (Fig. 13, 14 og 15)

Kopiringen er udstyret med en muffe, igennem hvilken fræseværktøjet passerer, hvilket gør det muligt at benytte maskinen til skabelonfræsning.

Kopiringen monteres ved at man løsner skruerne på maskinens base, hvorefter man sætter kopiringen ind og strammer skruerne.

Montér skabelonen på emnet. Placér maskinen på skabelonen, og bevæg maskinen således, at kopiringen gli-der langs med skabelonens kant.

BEMÆRK:

- Emnet vil få en lidt anden størrelse end skabelonen. Giv plads til afstanden (X) mellem grundfræsere og ydersiden af kopiringene. Afstanden (X) kan udregnes ved hjælp af følgende ligning:
Afstand (X) = (ydre diameter på kopiringe – diameter på Fræseværktøj) / 2

Tilslutning til en Makita støvsuger (Fig. 16)

Ved at tilslutte maskinen til en Makita støvsuger kan maskinen anvendes uden, at det støver så meget.

Sæt adapteren for sug og udsugningsstuds ind i maskinens base. Udsugningsstudsens kan også sættes direkte ind i maskinens base land, alt efter hvad der passer med anvendelsen.

Når der tilsluttes til en Makita støvsuger (Model 407), er det nødvendigt at anvende en slange (ekstraudstyr) med en indvendig diameter på 28 mm.

VEDLIGEHODELSE

FORSIGTIG:

- Sørg altid for at maskinen er slukket og netstikket er trukket ud, før der udføres eftersyn eller vedligeholdelse.
- Anvend aldrig benzin, rensebenzin, fortynder, alkohol og lignende. Resultatet kan blive misfarvning, deformation eller revner.

Udskiftning af kul

Udtag og efterse kullene med regelmæssige mellemrum. Udskift kullene, når de er slidt ned til slidmarkeringen. Hold kullene rene og i stand til frit at glide ind i holderne. Begge kul skal udskiftes parvist samtidigt. Anvend kun identiske kulbørster. (Fig. 17)
Benyt en skruetrækker til at afmontere kulholderdækslerne. Tag de slidte kul ud, isæt de nye og fastgør derefter kulholderdækslerne. (Fig. 18)

For at opretholde produktets SIKKERHED og PÅLIDELIGHED bør reparation, vedligeholdelse og justering kun udføres af et Makita Service Center med anvendelse af original Makita udskiftningsdele.

TILBEHØR

FORSIGTIG:

- Dette udstyr og tilbehør bør anvendes sammen med Deres Makita maskine, sådan som det er beskrevet i denne brugsanvisning. Anvendelse af andet udstyr eller tilbehør kan udgøre en risiko for personskade. Tilbehøret bør kun anvendes til det, det er beregnet til.

Hvis De behøver hjælp ved valg af tilbehør eller ønsker yderligere informationer, bedes De kontakte Deres lokale Makita service center.

- Fræseværktøj til lige fræsning & rillefræsning
- Fræseværktøj til kantformning
- Fræseværktøj til lameltrimning
- Parallellanslag
- Kopiring 25
- Kopiringe
- Låsemøtrik
- Spændepatron 3/8", 1/4"
- Spændepatron 6 mm, 8 mm
- Gaffelnøgle 8
- Gaffelnøgle 17
- Udsugningstuds
- Adapter for sug

ENG102-3

Lyd

Det typiske A-vægtede støjniveau bestemt i overensstemmelse med EN60745:

For model RP0910

Lydtryksniveau (L_{pA}): 83 dB (A)
Lydeffektniveau: (L_{WA}): 94 dB (A)
Usikkerhed (K): 3 dB (A)

For model RP1110C

Lydtryksniveau (L_{pA}): 81 dB (A)
Lydeffektniveau: (L_{WA}): 92 dB (A)
Usikkerhed (K): 3 dB (A)

Bær høreværn

ENG223-2

Vibration

Vibrations totalværdi (tre-aksial vektorsum) bestemt i overensstemmelse med EN60745:

For model RP0910

Arbejdsindstilling: fræsning af riller i MDF
Vibrationsafgivelse (a_{hv}): 8,0 m/s²
Usikkerhed (K): 1,5 m/s²

For model RP1110C

Arbejdsindstilling: fræsning af riller i MDF
Vibrationsafgivelse (a_{hv}): 5,0 m/s²
Usikkerhed (K): 1,5 m/s²

ENG901-1

- Den angivne vibrationsemissionsværdi er blevet målt i overensstemmelse med standardtestmetoden og kan anvendes til at sammenligne en maskine med en anden.
- Den angivne vibrationsemissionsværdi kan også anvendes i en preliminær eksponeringsvurdering.

ADVARSEL:

- Vibrationsemissionen under den faktiske anvendelse af maskinen kan være forskellig fra den erklærede emissionsværdi, afhængigt af den måde, hvorpå maskinen anvendes.
- Sørg for at identificere de sikkerhedsforskrifter til beskyttelse af operatøren, som er baseret på en vurdering af eksponering under de faktiske brugsforhold (med hensyntagen til alle dele i brugscyklen, som f.eks. de gange, hvor maskinen er slukket og når den kører i tomgang i tilgift til afbrydertiden).

ENH101-13

Kun for lande i Europa

EU-konformitetserklæring

Vi, Makita Corporation, erklærer, som den ansvarlige fabrikant, at den (de) følgende Makita maskine(r):

Maskinens betegnelse:

Overfræser

Elektronisk overfræser

Model nr./Type: RP0910, RP1110C

er af serieproduktion og

opfylder betingelserne i de følgende EU-direktiver:

98/37/EC indtil 28. december 2009 og derefter med 2006/42/EC fra 29. december 2009

og er fremstillet i overensstemmelse med de følgende standarder eller standardiserede dokumenter:

EN60745

Den tekniske dokumentation opbevares af vores autoriserede repræsentant i Europa, som er:

Makita International Europe Ltd.

Michigan Drive, Tongwell,

Milton Keynes, MK15 8JD, England

30. januar 2009



Tomoyasu Kato
Direktør


Makita Corporation
3-11-8, Sumiyoshi-cho,
Anjo, Aichi, JAPAN

Περιγραφή γενικής άποψης

1 Προεξοχή ρύθμισης	15 Κλειδί	28 Βίδα
2 Πόλος σταματήματος	16 Κλειδωμα άξονα	29 Αιχμή
3 Δείκτης βάθους	17 Σφίξιμο	30 Βάση
4 Παξιμάδι ρύθμισης	18 Χαλάρωμα	31 Πλαίσιο
ανασταλτικού περουν	19 Σωστό μέγεθος του	32 Κομμάτι εργασίας
5 Προεξοχή κλειδώματος	παξιμαδιού συγκέντρωσης	33 Απόσταση (X)
6 Πλήκτρο ταχείας	20 Κομμάτι εργασίας	34 Εξωτερική διάμετρος του
τροφοδοσίας	21 Κατεύθυνση περιστροφής	οδηγού ιχναρίου
7 Εξαγωνική βίδα ρύθμισης	της αιχμής	35 Σύνδεσμος μάνικας
8 Μπλοκ σταματητή	22 Κατεύθυνση τροφοδοσίας	36 Σύνδεσμος μάνικας σκόνης
9 Πλαστικό παξιμάδι	23 Αποψη από την πάνω πλευρά	37 Σημάδι ορίου
10 Εξαγωνικό παξιμάδι	του μηχανήματος	38 Κάλυμμα συγκρατητή
11 Πλήκτρο κλειδώματος	24 Ευθύς οδηγός	βούρτσας
12 Σκανδάλη διακόπτης	25 Βίδα κλειδώματος	39 Κατασβίδι
13 Καντράν ρύθμισης ταχύτητας	26 Επιφάνεια οδηγός	
14 Παξιμάδι συγκέντρωσης	27 Οδηγός πλαισίου	

ΤΕΧΝΙΚΑ ΧΑΡΑΚΤΗΡΙΣΤΙΚΑ

Μοντέλο

Μεγ. μέγεθος συγκρατητή	RP0910	RP1110C
Δυνατότητα βύθισης	8 χιλ. ή 1/4"	8 χιλ. ή 1/4"
Ταχύτητα χωρίς φορτίο (λεπτά ⁻¹)	0-57 χιλ.	0-57 χιλ.
Συνολικό ύψος	27.000	8.000-24.000
Καθαρό βάρος	260 χιλ.	260 χιλ.
Κατηγορία ασφάλειας	3,3 Χγρ.	3,4 Χγρ.
	 /II	 /II

- Λόγω του συνεχιζόμενου προγράμματος έρευνας και ανάπτυξης, οι παρούσες προδιαγραφές υπόκεινται σε αλλαγή χωρίς προειδοποίηση.
- Τα τεχνικά χαρακτηριστικά μπορεί να διαφέρουν από χώρα σε χώρα.
- Βάρος σύμφωνα με διαδικασία ΕΡΤΑ 01/2003

GEB018-2

Προοριζόμενη χρήση

Το μηχάνημα προορίζεται για ισόπεδα τελειώματα και διαμορφώσεις κατατομών σε ξύλο, πλαστικό και παρόμοια υλικά.

Ρευματοδότηση

Το μηχάνημα πρέπει να συνδέεται μόνο σε παροχή ρεύματος της ίδιας τάσης με αυτή που αναφέρεται στην πινακίδα κατασκευαστού και μπορεί να λειτουργήσει μόνο με εναλλασσόμενο μονοφασικό ρεύμα. Τα μηχανήματα αυτά έχουν διπλή μόνωση σύμφωνα με τα Ευρωπαϊκά Πρότυπα και κατά συνέπεια, μπορούν να συνδεθούν σε ακροδέκτες χωρίς σύρμα γείωσης.

GEA010-1

Γενικές προειδοποιήσεις ασφαλείας για το ηλεκτρικό εργαλείο

⚠ ΠΡΟΕΙΔΟΠΟΙΗΣΗ Διαβάστε όλες τις προειδοποιήσεις ασφαλείας και όλες τις οδηγίες. Η μη τήρηση των προειδοποιήσεων και οδηγιών ενδέχεται να καταλήξει σε ηλεκτροπληξία, πυρκαγιά ή/και σοβαρό τραυματισμό.

Φυλάξτε όλες τις προειδοποιήσεις και τις οδηγίες για μελλοντική παραπομπή.

ΠΡΟΕΙΔΟΠΟΙΗΣΕΙΣ ΑΣΦΑΛΕΙΑΣ ΠΕΡΙΣΤΡΟΦΕΑ

1. **Κρατάτε τα ηλεκτρικά εργαλεία από τις μονωμένες επιφάνειες κρατήματος όταν εκτελείτε μία εργασία όπου το κοπτικό εργαλείο μπορεί να κάνει επαφή με κρυμμένα σύρματα ή και με το δικό του κορδόνι.** Επαφή με ένα "ηλεκτροφόρο" σύρμα θα κάνει όλα τα εκτεθειμένα μεταλλικά μέρη του εργαλείου "ηλεκτροφόρα" και θα προκληθεί ηλεκτροπληξία στον χειριστή.
2. **Χρησιμοποιείτε σφιγκτήρες ή κάποιο άλλο πρακτικό μέσο για να ασφαλίσετε και υποστηρίξετε το τεμάχιο εργασίας σε μία σταθερή βάση.** Το κράτημα του τεμαχίου εργασίας με το χέρι ή με το σώμα το αφήνει ασταθές και μπορεί να οδηγήσει σε απώλεια ελέγχου.
3. **Να φοράτε ωτοασπίδες κατά τη διάρκεια μακρών περιόδων εργασίας.**
4. **Να χειρίζεστε τις αιχμές με μεγάλη προσοχή.**
5. **Ελέγχετε το την αιχμή προσεκτικά για ρωγμές ή βλάβη πριν τη λειτουργία.** Αντικαταστήστε αμέσως το την αιχμή που έχει ρωγμή ή που έχει πάθει ζημιά.
6. **Αποφύγετε να κόβετε καρφιά.** Ελέγχετε και βγάλετε όλα τα καρφιά από το τεμάχιο εργασίας πριν την λειτουργία.
7. **Κρατάτε το εργαλείο σταθερά με τα δύο σας χέρια.**

8. Κρατάτε τα χέρια σας μακριά από περιστρεφόμενα εξαρτήματα.
9. Σιγουρευτείτε ότι το η αιχμή δεν αγκίζει το τεμάχιο εργασίας πριν ανοίξετε το διακόπτη.
10. Πριν χρησιμοποιήσετε το μηχάνημα πάνω σε ένα πραγματικό τεμάχιο εργασίας, αφήσετε το να δουλέψει για λίγο. Δώστε προσοχή στους κραδασμούς ή στις ταλαντεύσεις που μπορεί να δηλώνουν εσφαλμένη τοποθέτηση της αιχμής.
11. Δώστε προσοχή στην διεύθυνση περιστροφής του της αιχμής και στην διεύθυνση τροφοδοσίας.
12. Μην εγκαταλείπετε το μηχάνημα να δουλεύει. Δουλεύετε το μηχάνημα μόνο όταν το κρατάτε στα χέρια σας.
13. Πάντοτε σβήνετε το μηχάνημα και περιμένετε την αιχμή να σταματήσει τελείως πριν βγάλετε το μηχάνημα από το τεμάχιο εργασίας.
14. Μην αγγίζετε το την αιχμή αμέσως μετά τη λειτουργία μπορεί να είναι πάρα πολύ ζεστό και μπορεί να κάψει το δέρμα σας.
15. Μην ρυπαίνετε τη βάση του μηχανήματος απρόσεκτα με διαλυτικό, βενζίνη, λάδι και παρόμοια. Μπορεί να προκαλέσουν ρωγμές στη βάση του μηχανήματος.
16. Δώστε προσοχή στην ανάγκη να χρησιμοποιηθούν αιχμές ελακτιστή με τη σωστή διάμετρο άκρου (σοοκ) τρυπανιού, και κατάλληλες για την ταχύτητα του μηχανήματος.
17. Μερικά υλικά περιέχουν χημικά που μπορεί να είναι τοξικά. Προσέχετε να αποφύγετε εισπνοή σκόνης και δερματική επαφή. Ακολουθείτε τα δεδομένα ασφάλειας του προμηθευτή υλικών.
18. Πάντοτε χρησιμοποιείτε τη σωστή προσωπίδα/ αναπνευστήρα σε σχέση με το υλικό και την εφαρμογή στην οποία εργάζεστε.

ΦΥΛΑΞΕΤΕ ΑΥΤΕΣ ΤΙΣ ΟΔΗΓΙΕΣ.

ΠΡΟΕΙΔΟΠΟΙΗΣΗ:

ΜΗΝ επιτρέψετε το βαθμό άνεσης ή εξοικείωσης με το προϊόν (λόγω επανειλημμένης χρήσης) να αντικαταστήσει την αυστηρή τήρηση των κανόνων ασφαλείας του παρόντος εργαλείου. **ΚΑΚΗ ΧΡΗΣΗ** ή αμέλεια να ακολουθήσετε τους κανόνες ασφαλείας που διατυπώνονται σ'αυτό το εγχειρίδιο οδηγίων μπορεί να προκαλέσει σοβαρό προσωπικό τραυματισμό.

ΠΕΡΙΓΡΑΦΗ ΛΕΙΤΟΥΡΓΙΑΣ

ΠΡΟΣΟΧΗ:

- Πάντοτε βεβαιώνετε ότι το εργαλείο είναι σβηστό και αποσυνδεδεμένο από το ρεύμα πριν ρυθμίσετε ή ελέγξετε κάποια λειτουργία στο εργαλείο.

Ρύθμιση του βάθους κοπής (Εικ. 1)

Τοποθετείτε το μηχάνημα σε μια επίπεδη επιφάνεια. Χαλαρώστε την προεξοχή κλειδώματος και χαμηλώστε το σώμα του μηχανήματος μέχρι μόλις να ακουμπήσει την επίπεδη επιφάνεια. Σφίξτε την προεξοχή κλειδώματος για να κλειδώσετε το σώμα του σώματος.

Γυρίστε το παξιμάδι ρύθμισης ανασταλτικού πείρου αριστερόστροφα.

Χαμηλώστε τον πόλο σταματήματος μέχρι να έρθει σε επαφή με την βίδα ρύθμισης. Ευθυγραμμίστε τον δείκτη βάθους με την ένδειξη "0". Το βάθος κοπής φαίνεται στην κλίμακα από τον δείκτη βάθους.

Ενώ πιέζετε το πλήκτρο ταχείας τροφοδοσίας, ανεβάστε τον πόλο σταματήματος μέχρι να επιτευχθεί το επιθυμητό βάθος κοπής. Μικρές ρυθμίσεις βάθους μπορούν να επιτευχθούν γυρνώντας την προεξοχή ρύθμισης (1 χιλ ανά στροφή.)

Γυρίζοντας το παξιμάδι ρύθμισης ανασταλτικού πείρου δεξιόστροφα μπορείτε να στερεώσετε τον ανασταλτικό πείρο σταθερά.

Τώρα, το προκαθορισμένο βάθος κοπής μπορεί να επιτευχθεί χαλαρώνοντας την προεξοχή κλειδώματος και έπειτα χαλαρώνοντας το σώμα του σώματος μέχρι ο πόλος σταματήματος να έρθει σε επαφή με την βίδα ρύθμισης στο μπλοκ του σταματητή.

Πλαστικό παξιμάδι (Εικ. 2)

Γύρνώντας το πλαστικό παξιμάδι, το πάνω όριο του σώματος του μηχανήματος μπορεί να ρυθμιστεί. Όταν το άκρο της αιχμής έχει υποχωρήσει περισσότερο από ότι απαιτείται σε σχέση με την επιφάνεια της βάσης, γυρίστε το πλαστικό παξιμάδι για να χαμηλώσετε το πάνω όριο.

ΠΡΟΣΟΧΗ:

- Καθώς υπερβολική κοπή ίσως προκαλέσει υπερφόρτωση του κινητήρα ή δυσκολία στον χειρισμό του μηχανήματος, το βάθος κοπής δεν θα πρέπει να είναι περισσότερο από 15 χιλ. σε κάθε πέρασμα όταν οι αυλακίες κοπής γίνονται με μια αιχμή διαμέτρου των 8 χιλ.
- Όταν κάνετε αυλακίες με μια αιχμή 20 χιλ., το βάθος κοπής δεν θα πρέπει να είναι περισσότερο από 5 χιλ. σε κάθε πέρασμα.
- Για λειτουργίες αυλάκωσης πολύ βαθιές, κάντε δυο ή τρία πέρασματα με προοδευτικά βαθύτερες ρυθμίσεις αιχμής.
- Μη χαμηλώνετε το πλαστικό παξιμάδι πάρα πολύ, αλλιώς η αιχμή θα προεξέχει επικίνδυνα.

Μπλοκ σταματητή (Εικ. 3)

Το μπλοκ σταματητή έχει τρεις εξαγωνικές βίδες ρύθμισης οι οποίες ανεβαίνουν ή κατεβαίνουν κατά 0,8 χιλ. ανά στροφή. Μπορείτε εύκολα να πετύχετε τρία διαφορετικά βάθη κοπής χρησιμοποιώντας αυτές τις εξαγωνικές βίδες ρυθμίσεις χωρίς να επαναρυθμίσετε τον πόλο σταματήματος.

Ρυθμίστε τον κάτω εξαγωνικό κοχλία για την επίτευξη μεγίστου βάθους κοπής, ακολουθώντας τη μέθοδο "Ρύθμιση βάθους κοπής". Ρυθμίστε τις άλλες δύο εξαγωνικές βίδες για να πετύχετε ρηχότερα βάθη κοπής. Οι διαφορές σε ύψος αυτών των εξαγωνικών βιδών είναι ίσες με την διαφορά στο βάθος κοπής.

Για να ρυθμίσετε τις εξαγωνικές βίδες, πρώτα χαλαρώστε τα εξαγωνικά παξιμάδια στις εξαγωνικές βίδες με το κλειδί και έπειτα γυρίστε τις εξαγωνικές βίδες. Αφού πετύχετε την επιθυμητή θέση, σφίξτε τα εξαγωνικά παξιμάδια ενώ κρατάτε τις εξαγωνικές βίδες στην επιθυμητή θέση. Το μπλοκ σταματητή είναι επίσης βολικό για να κάνετε τρία πέρασματα με προοδευτικά βαθύτερες ρυθμίσεις βάθους της αιχμής όταν κόβετε βαθιές αυλακίες.

Λειτουργία δράσης (Εικ. 4)

ΠΡΟΣΟΧΗ:

- Προτού συνδέσετε το μηχάνημα στην παροχή ρεύματος, πάντοτε να ελέγχετε ότι η σκανδάλη διακόπτης λειτουργεί κανονικά και επιστρέφει στη θέση "OFF" όταν απελευθερωθεί.
- Σιγουρευτείτε ότι το κλειδί του άξονα είναι απελευθερωμένο προτού ανάψετε το διακόπτη.

Για να ξεκινήσετε το μηχάνημα, αποσυμπίεστε το πλήκτρο κλειδώματος και τραβήξτε την σκανδάλη διακόπτη. Απελευθερώστε την σκανδάλη διακόπτη για να σταματήσετε.

Για συνεχή λειτουργία, τραβήξτε τη σκανδάλη και έπειτα αποσυμπίεστε το πλήκτρο κλειδώματος επιπλέον. Για να σταματήσετε το μηχάνημα, τραβήξτε τη σκανδάλη έτσι ώστε το πλήκτρο κλειδώματος να επιστρέψει αυτόματα. Έπειτα απελευθερώστε τη σκανδάλη.

Αφού απελευθερώσετε τη σκανδάλη, η λειτουργία αποκλειδώσης λειτουργεί για να προλάβει την σκανδάλη διακόπτη από το να τραβηχθεί.

Καντράν ρύθμισης ταχύτητας (Εικ. 5)

Για RP1110C

Μπορείτε να αλλάξετε την ταχύτητα γυρίζοντας το καντράν ρύθμισης ταχύτητας σε μια ρύθμιση και επιλέγοντας έναν αριθμό από 1 έως 5.

Μπορείτε να επιτύχετε μεγαλύτερη ταχύτητα όταν γυρίζετε το καντράν προς την κατεύθυνση του αριθμού 5, και μικρότερη ταχύτητα γυρίζοντας το καντράν προς την κατεύθυνση του αριθμού 1.

Αυτό επιτρέπει να επιλεγεί η ιδανική ταχύτητα για την βέλτιστη επεξεργασία του υλικού, π.χ. η ταχύτητα μπορεί να ρυθμιστεί σωστά ώστε να ταιριάζει στο υλικό και στην διάμετρο της αιχμής.

Αναφερθείτε στον πίνακα για την σχέση μεταξύ του αριθμού ρύθμισης στο καντράν και της κατά προσέγγιση ταχύτητας του εργαλείου.

Νούμερο	Λεπτά ⁻¹
1	8.000
2	12.000
3	16.000
4	20.000
5	24.000

ΠΡΟΣΟΧΗ:

- Το καντράν ρύθμισης ταχύτητας μπορεί να περιστραφεί μόνο μεταξύ του 5 και του 1. Μην το πιέζετε να ξεπεράσει το 5 ή το 1, αλλιώς η λειτουργία ρύθμισης ταχύτητας μπορεί να καταστραφεί.

ΣΥΝΑΡΜΟΛΟΓΗΣΗ

ΠΡΟΣΟΧΗ:

- Πάντοτε βεβαιώνετε ότι το εργαλείο είναι σβηστό και αποσυνδεδεμένο από το ρεύμα πριν εκτελέσετε οποιαδήποτε εργασία στο εργαλείο.

Τοποθέτηση ή αφαίρεση της αιχμής (Εικ. 6 και 7)

ΠΡΟΣΟΧΗ:

- Τοποθετήστε την αιχμή με ασφάλεια. Να χρησιμοποιείτε πάντα μόνον το κλειδί που παρέχεται με το εργαλείο. Μια χαλαρή ή υπέρ του δέοντος σφιγμένη αιχμή μπορεί να είναι επικίνδυνη.
- Μην σφίγγετε το περικόχλιο του κολάρου χωρίς να εισάγετε πρώτα μια αιχμή. Μπορεί να οδηγήσει σε θραύση του κώνου του κολάρου.

Εισάγετε την αιχμή πλήρως στον κώνο του κολάρου. Πιέστε τη διάταξη ασφάλισης του άξονα ώστε ο άξονας να παραμείνει ακίνητος και χρησιμοποιήστε το κλειδί για να σφίξετε το περικόχλιο του κολάρου με ασφάλεια.

Το εργαλείο διαθέτει εργοστασιακά τοποθετημένο κώνο κολάρου 8 mm ή 6,35 mm. Όταν χρησιμοποιείτε αιχμές περιστροφέα με άξονα διαφορετικής διαμέτρου, χρησιμοποιήστε κώνο κολάρου κατάλληλου μεγέθους για την αιχμή την οποία πρόκειται να χρησιμοποιήσετε.

Για να αφαιρέσετε την αιχμή, ακολουθήστε τη διαδικασία τοποθέτησης με αντίστροφη σειρά.

ΛΕΙΤΟΥΡΓΙΑ

ΠΡΟΣΟΧΗ:

- Πριν από τη λειτουργία, βεβαιωθείτε ότι το σώμα του εργαλείου ανυψώνεται αυτόματα στο ανώτατο όριο του και η αιχμή δεν εξέρχεται από τη βάση του εργαλείου όταν ξεσφίγγετε το κουμπί ασφάλισης.

Τοποθετήστε τη βάση του μηχανήματος στο κομμάτι εργασίας που πρόκειται να κοπεί χωρίς η αιχμή να έρχεται σε επαφή με αυτό. Έπειτα ανάψτε το μηχάνημα και περιμένετε μέχρι η αιχμή να πετύχει τη μέγιστη ταχύτητα. Χαμηλώστε το σώμα του μηχανήματος και μετακινήστε το μηχάνημα προς την πάνω πλευρά του κομματιού εργασίας, διατηρώντας τη βάση του μηχανήματος ισοπέδη και προωθώντας το μαλακά μέχρι η κοπή να ολοκληρωθεί.

Όταν κάνετε κοπή άκρου, η επιφάνεια του κομματιού εργασίας θα πρέπει να είναι στην αριστερή πλευρά της αιχμής και στην κατεύθυνση της τροφοδοσίας. (Εικ. 8)

ΣΗΜΕΙΩΣΗ:

- Σιγουρευτείτε ότι ο οδηγός σκόνης είναι τοποθετημένος κατάλληλα.
- Εάν μετακινείτε το μηχάνημα πολύ γρήγορα προς τα εμπρός θα προκληθεί κοπή κακής ποιότητας ή ζημιά στην αιχμή ή στον κινητήρα. Εάν μετακινείτε το μηχάνημα προς τα εμπρός πολύ αργά ίσως το κομμάτι εργασίας ανάψει ή παραμορφωθεί. Ο κατάλληλος ρυθμός τροφοδοσίας εξαρτάται από το μέγεθος της αιχμής, το είδος του κομματιού εργασίας και το βάθος κοπής. Προτού ξεκινήσετε την κοπή στο κομμάτι εργασίας, θα σας συμβουλευόμαστε να κάνετε μια δοκιμαστική κοπή σε ένα κομμάτι που δεν το χρειάζεστε. Αυτό θα δείξει ακριβώς πως θα δείχνει το κομμάτι και θα μπορείτε να ελέγξετε τις διαστάσεις.
- Όταν χρησιμοποιείτε τον ευθύ οδηγό, σιγουρευτείτε να τον εγκαταστήσετε στην δεξιά πλευρά της κατεύθυνσης τροφοδοσίας. Αυτό θα βοηθήσει να τον κρατήσει ισοπέδο με την πλευρά του κομματιού εργασίας. (Εικ. 9)

Ευθύς οδηγός (Εικ. 10, 11 και 12)

Ο ευθύς οδηγός χρησιμοποιείται αποδοτικά για ευθείς κοπές όταν κάνετε λοξότμηση ή αυλάκωση.

Για να εγκαταστήσετε τον ευθύ οδηγό, βάλτε τις μπάρες οδηγούς στις τρύπες που βρίσκονται στην βάση του μηχανήματος. Ρυθμίστε την απόσταση μεταξύ της αιχμής και του ευθύ οδηγού. Στην επιθυμητή απόσταση, σφίξτε την βίδα κλειδώματος για να ασφαλίσετε τον ευθύ οδηγό.

Κατά τη διάρκεια κοπής μετακινείστε το μηχάνημα με τον ευθύ οδηγό ισόπεδο με την πλευρά του κομματιού εργασίας.

Εάν η απόσταση μεταξύ της πλευράς του κομματιού εργασίας και της θέσης κοπής είναι πολύ πλατιά για τον ευθύ οδηγό, ή πλευρά του κομματιού εργασίας δεν είναι ίσια, ο ευθύς οδηγός δεν μπορεί να χρησιμοποιηθεί. Σε αυτή την περίπτωση, σφίξτε καλά ένα ίσιο σανίδι στο κομμάτι εργασίας και χρησιμοποιείστε το ως οδηγό έναντι της βάσης της φραϊζας. Ωθήστε το εργαλείο στην κατεύθυνση του βέλους.

Οδηγός πλαισίου (εξάρτημα)

(Εικ. 13, 14 και 15)

Ο οδηγός περιγράμματος παρέχει χιτώνιο δια μέσου του οποίου διέρχεται η αιχμή, επιτρέποντας τη χρήση του εργαλείου με σχέδια περιγράμματος.

Για να τοποθετήσετε τον οδηγό περιγράμματος, ξεσφίξτε τις βίδες στη βάση του εργαλείου, εισάγετε τον οδηγό περιγράμματος και στη συνέχεια σφίξτε τις βίδες.

Ασφαλίστε το πλαίσιο στο κομμάτι εργασίας. Τοποθετείστε το μηχάνημα στο πλαίσιο και και μετακινείστε το μηχάνημα με τον οδηγό του πλαισίου ολισθαίνοντας το κατά μήκος της πλευράς του πλαισίου.

ΠΑΡΑΤΗΡΗΣΗ:

- Το αντικείμενο εργασίας θα κοπεί σε ελαφρά διαφορετικό μέγεθος από το ιχνάριο. Αφήστε περιθώριο για την απόσταση (X) μεταξύ της αιχμής σκαπτήρα και του εξωτερικού του οδηγού ιχναρίου. Η απόσταση (X) μπορεί να υπολογιστεί χρησιμοποιώντας την ακόλουθη εξίσωση:
Απόσταση (X) = (εξωτερική διάμετρος του οδηγού ιχναρίου – διάμετρος αιχμής) / 2

Σύνδεση σε ηλεκτρική σκούπα Μακίτα (Εικ. 16)

Καθαρότερες λειτουργίες μπορούν να επιτευχθούν συνδέοντας τη φραϊζα σε μια ηλεκτρική σκούπα Μακίτα.

Τοποθετείστε τον σύνδεσμο της μάνικας και τον σύνδεσμο του συλλογέα σκόνης στο εργαλείο. Ακόμη, ο σύνδεσμος της μάνικας της σκόνης μπορεί να τοποθετηθεί κατευθείαν στην βάση του εργαλείου σύμφωνα με τη λειτουργία.

Όταν συνδέετε σε μια ηλεκτρική σκούπα Μακίτα (Μοντέλο 407) μία προαιρετική μάνικα με εσωτερική διάμετρο 28 χιλ. είναι απαραίτητος.

ΣΥΝΤΗΡΗΣΗ

ΠΡΟΣΟΧΗ:

- Πάντοτε βεβαιώνεστε ότι το εργαλείο είναι σβηστό και αποσυνδεδεμένο πριν επιχειρήσετε να εκτελέσετε επιθεώρηση ή συντήρηση.
- Μην χρησιμοποιείτε ποτέ βενζίνη, πετρελαϊκό αιθέρα, διαλυτικό, αλκοόλη ή παρόμοιες ουσίες. Ενδέχεται να προκληθεί αποχρωματισμός παραμόρφωση ή ρωγμές.

Αντικατάσταση καρβονάκια

Αφαιρείτε και ελέγχετε τις ψήκτρες άνθρακος τακτικά. Αντικαταστείτε όταν φθαρούν μέχρι το σημάδι ορίου. Κρατάτε τις ψήκτρες καθαρές και ελεύθερες να γλιστρούν στις θήκες. Και οι δύο ψήκτρες άνθρακα πρέπει να αντικαθίστανται ταυτόχρονα. Χρησιμοποιείτε μόνο ταυτόσημες ψήκτρες. (Εικ. 17) Χρησιμοποιείτε ένα κατσαβίδι για να αφαιρέτε τα καπακία της θήκης ψήκτρας. Αφαιρέστε τις φθαρμένες ψήκτρες, βάλτε τις καινούργιες και ασφαλίστε τα καπάκια της θήκης ψήκτρας. (Εικ. 18)

Για την διατήρηση της ΑΣΦΑΛΕΙΑΣ και ΑΞΙΟΠΙΣΤΙΑΣ του προϊόντος, επισκευές, οποιαδήποτε άλλη συντήρηση ή ρύθμιση πρέπει να εκτελούνται από τα Εξουσιοδοτημένα Κέντρα Εξυπηρέτησης της Μάκίτα, με χρήση πάντοτε ανταλλακτικών Μάκίτα.

ΕΞΑΡΤΗΜΑΤΑ

ΠΡΟΣΟΧΗ:

- Αυτά τα εξαρτήματα ή προσαρτήματα συνιστώνται για χρήση με το εργαλείο Μάκίτα που περιγράφηκε στις οδηγίες αυτές. Η χρήση οτιδήποτε άλλων εξαρτημάτων ή προσαρτημάτων μπορεί να προκαλέσει κίνδυνο τραυματισμού σε άτομα. Χρησιμοποιείτε τα εξαρτήματα ή προσαρτήματα μόνο για την χρήση που προορίζονται.

Εάν χρειάζεστε οποιαδήποτε βοήθεια για περισσότερες πληροφορίες σε σχέση με αυτά τα εξαρτήματα, απαντήστε στο τοπικό σας κέντρο εξυπηρέτησης Μάκίτα.

- Ίσιες αιχμές & αιχμές αυλακώσεων
- Αιχμές διαμόρφωσης άκρων
- Αιχμές ομαλοποίησης καπλαμάδων
- Ευθύς οδηγός
- Οδηγός πλαισίου 25
- Οδηγόςοί πλαισίου
- Περικόχλιο ασφάλισης
- Κώνος συγκέντρωσης 3/8", 1/4"
- Κώνος συγκέντρωσης 6 χιλ., 8 χιλ.
- Κλειδί 8
- Κλειδί 17
- Σύνδεσμος μάνικας σκόνης
- Σύνδεσμος μάνικας

Θόρυβος

Το τυπικό Α επίπεδο μετρημένου θορύβου καθορίζεται σύμφωνα με το EN60745:

Για Μοντέλα RP0910

Πίεση ήχου (L_{pA}): 83 dB(A)
Επίπεδο δύναμης ήχου (L_{WA}): 94 dB (A)
Αβεβαιότητα (K): 3 dB (A)

Για Μοντέλα RP1110C

Πίεση ήχου (L_{pA}): 81 dB(A)
Επίπεδο δύναμης ήχου (L_{WA}): 92 dB (A)
Αβεβαιότητα (K): 3 dB (A)

Φοράτε ωτοασπίδες

ENG223-2

Κραδασμός

Η ολική τιμή δόνησης (άθροισμα τρι-αξονικού διανύσματος) καθορίζεται σύμφωνα με το EN60745:

Για Μοντέλα RP0910

Είδος εργασίας: κοπή αυλακώσεων σε MDF
Εκπομπή δόνησης (a_h): 8,0 m/s²
Αβεβαιότητα (K): 1,5 m/s²

Για Μοντέλα RP1110C

Είδος εργασίας: κοπή αυλακώσεων σε MDF
Εκπομπή δόνησης (a_h): 5,0 m/s²
Αβεβαιότητα (K): 1,5 m/s²

ENG901-1

- Η δηλωμένη τιμή εκπομπής κραδασμών έχει μετρηθεί σύμφωνα με την πρότυπη μέθοδο δοκιμής και μπορεί να χρησιμοποιηθεί για τη σύγκριση ενός εργαλείου με άλλο.
- Η δηλωμένη τιμή εκπομπής κραδασμών μπορεί να χρησιμοποιηθεί και στην προκαταρκτική αξιολόγηση έκθεσης.

ΠΡΟΕΙΔΟΠΟΙΗΣΗ:

- Η εκπομπή κραδασμών κατά τη χρήση του ηλεκτρικού εργαλείου σε πραγματικές συνθήκες μπορεί να διαφέρει από τη δηλωμένη τιμή εκπομπής ανάλογα με τον τρόπο χρήσης του εργαλείου.
- Φροντίστε να λάβετε τα κατάλληλα μέτρα προστασίας του χειριστή βάσει υπολογισμού της έκθεσης σε πραγματικές συνθήκες χρήσης (λαμβάνοντας υπόψη όλες τις συνιστώσες του κύκλου λειτουργίας όπως τους χρόνους που το εργαλείο είναι εκτός λειτουργίας και όταν βρίσκεται σε αδρανή λειτουργία πέραν του χρόνου ενεργοποίησης).

Μόνο για χώρες της Ευρώπης**Δήλωση Συμμόρφωσης ΕΚ**

Η Makita Corporation, ως ο υπεύθυνος κατασκευαστής, δηλώνει ότι το/τα ακόλουθο(α) μηχανήμα(τα) της Makita:

Χαρακτηρισμός μηχανήματος:
Περιστρεφόμενη φραίζα

Ηλεκτρονική περιστρεφόμενη φραίζα
Αρ. μοντέλου/ Τύπος: RP0910, RP1110C

είναι εν σειρά παραγωγή και **συμμορφώνονται με τις ακόλουθες Ευρωπαϊκές Οδηγίες:**

98/37/ΕΚ έως 28 Δεκεμβρίου 2009 και
ακολουθώς με την 2006/42/ΕΚ από 29
Δεκεμβρίου 2009

και κατασκευάζονται σύμφωνα με τα ακόλουθα πρότυπα ή έγγραφα τυποποίησης:

EN60745

Η τεχνική τεκμηρίωση φυλάσσεται από τον εξουσιοδοτημένο εκπρόσωπό μας στην Ευρώπη, δηλαδή τη

Makita International Europe Ltd.
Michigan Drive, Tongwell,
Milton Keynes, MK15 8JD, England (Αγγλία)

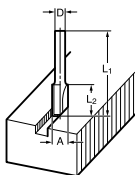
30 Ιανουαρίου 2009



Tomoyasu Kato
Διευθυντής

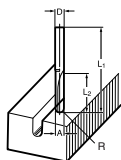
Makita Corporation
3-11-8, Sumiyoshi-cho,
Anjo, Aichi, JAPAN

**Router bits/Fraises de défonceuse/Fräser/Punte/Freesbits/Fresas/Brocas de fresadora/Fræseværktøj/
Εργαλείο περιστρεφόμενη φραιζα**



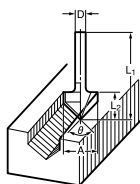
Straight bit Fraise à rainer Nutfräser Fresa a refilo
 Rechte frezen Fresa recta Fresa direita Notfräser
 Ισιο κοπτικό

	D	A	L ₁	L ₂	mm
20	6	20	50	15	
20E	1/4"				
8	8	8	60	25	
8	6	8	50	18	
8E	1/4"				
6	6	6	50	18	
6E	1/4"				



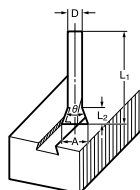
"U" Grooving bit Fraise à rainurer en "U" U-Nutfräser Fresa a incastro a "U"
 U-groef frezen Fresa ranuradora en "U" Fresa em forma de "U" U-notfräser
 Κοπτικό για αυλάκωμα "U"

	D	A	L ₁	L ₂	R	mm
6	6	6	60	28	3	
6E	1/4"					



"V" Grooving bit Fraise à rainurer en "V" V-Nutfräser Fresa a incastro a "V"
 V-groef frezen Fresa ranuradora en "V" Fresa em forma de "V" V-notfräser
 Κοπτικό για αυλάκωμα "V"

	D	A	L ₁	L ₂	θ	mm
1/4"		20	50	15	90°	



Dovetail bit Fraise à queue d'aronde Winkelfräser Fresa a incastro o coda di rondine
 Zwaluwstaart frezen Fresa cola de milano Fresa de granzepo Sinkefräser
 Κοπτικό χελιδονοουράς

	D	A	L ₁	L ₂	θ	mm
15S	8	14.5	55	10	35°	
15L	8	14.5	55	14.5	23°	
12	8	12	50	9	30°	

Drill point flush
trimming bit

Fraise à affleurer

Bündigfräser

Fresa doppio refilo
a punta

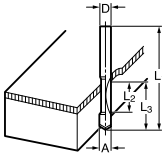
Combinatie frezen
(enkel)

Fresa simple para
paneles

Fresa com ponta
piloto para recorte

Kantfræser

Κοπτικό
κουρέματος με
κεφαλή τρυπανιού



	D	A	L ₁	L ₂	L ₃	mm
8	8	8	60	20	35	
6	6	6	60	18	28	
6E	1/4"					

Drill point double
flush trimming bit

Fraise à affleurer
combinaison double

Doppelbündigfräser

Fresa a doppio
refilo

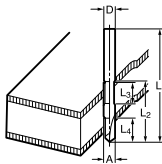
Combinatie frezen
(dubbel)

Fresa doble para
peneles

Fresa com ponta
piloto dupla para
recorte

Dobbelt kantfræser

Κοπτικό διπλού
κουρέματος με
κεφαλή τρυπανιού



	D	A	L ₁	L ₂	L ₃	L ₄	mm
8	8	8	80	55	20	25	
6	6	6	70	40	12	14	
6E	1/4"						

Corner rounding bit

Fraise 1/4 de rond

Rundkantenfräser

Fresa a raggio

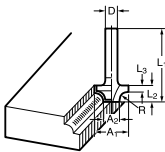
Frezen voor ronde
hoeken

Fresa para redon-
deado de cantos

Fresa para aresta
arredondadas

Radiusfræser

Κοπτικό για
στρογγυλές γωνιές



	D	A ₁	A ₂	L ₁	L ₂	L ₃	R	mm
8R	6	25	9	48	13	5	8	
8RE	1/4"							
4R	6	20	8	45	10	4	4	
4RE	1/4"							

Chamfering bit

Fraise à chanfrein

Winkelkantenfräser

Fresa per refilo a
smusso

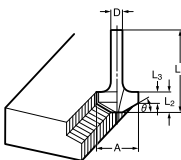
Profil frezen

Fresa biseladora

Fresa para chanfrar

Fasefræser

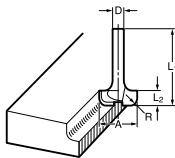
Κοπτικό για φάσο



D	A	L ₁	L ₂	L ₃	θ	mm
6	23	46	11	6	30°	
6	20	50	13	5	45°	
6	20	49	14	2	60°	

Cove beading bit Fraise à profiler concave Rundkantenfräser Fresa a raggio concavo

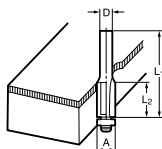
Holle kraal frezen Fresa para moldurar Fresa para rebordo côncavo Hulkehl-fräser



Κοπτικό
κοιλωμάτων

mm				
D	A	L ₁	L ₂	R
6	20	43	8	4
6	25	48	13	8

Ball bearing flush trimming bit Fraise à affleurer avec roulement Bündigfräser mit Anlaufkugellager Fresa a doppio refilo con cuscinetto



Boorfrezen met kogellager Fresa simple para paneles con rodamiento

Fresa para recorte com rolamento de esferas

Kantfräser med kugleleje

Κοπτικό
κουρέματος με
ρουλεμάν

mm			
D	A	L ₁	L ₂
6	10	50	20
1/4"			

Ball bearing corner rounding bit Fraise à arrondir avec roulement Rundkantenfräser mit Anlaufkugellager Fresa a raggio con cuscinetto

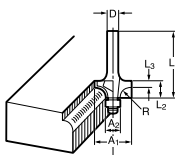
Frezen voor ronde hoeken met kogellager

Fresa para redondeado de cantos con rodamiento

Fresa para arestas arredondadas com rolamento de esferas

Radiusfräser med kugleleje

Κοπτικό για
στρογγυλές
γωνίες με
ρουλεμάν



mm						
D	A ₁	A ₂	L ₁	L ₂	L ₃	R
6	15	8	37	7	3.5	3
6	21	8	40	10	3.5	6
1/4"	21	8	40	10	3.5	6

Ball bearing chamfering bit Fraise à chanfreiner avec roulement Winkeltantenfräser mit Anlaufkugellager Fresa per refilo a smusso con cuscinetto

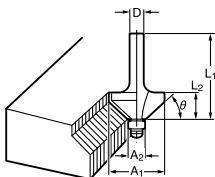
Profiel frezen met kogellager

Fresa biseladora con rodamiento

Fresa para chanfrar com rolamento de esferas

Fasefräser med kugleleje

Κοπτικό για
Φάσο με
ρουλεμάν

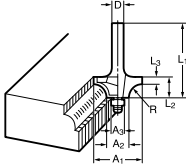


mm					
D	A ₁	A ₂	L ₁	L ₂	θ
6	26	8	42	12	45°
1/4"					
6	20	8	41	11	60°

Ball bearing beading bit Fraise à profiler avec roulement Rundkantenfräser mit Anlaufkugellager Fresa a raggio convesso con cuscinetto

Fresa a raggio convesso con cuscinetto Fresa para moldurar con rodamiento Fresa para rebordo com rolamento de esferas Radiusfræser med kugleleje

Κοπτικό τεταρτημαρίου με ρουλεμάν

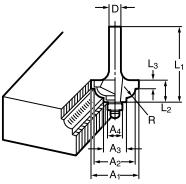


mm							
D	A ₁	A ₂	A ₃	L ₁	L ₂	L ₃	R
6	20	12	8	40	10	5.5	4
6	26	12	8	42	12	4.5	7

Ball bearing cove beading bit Fraise à profiler pour cavet avec roulement Profilfräser mit Anlaufkugellager Fresa a raggio concavo con cuscinetto

Holle kraal frezen met kogel-lager Fresa para moldurar con rodamiento (concavo) Fresa para rebordo côncavo com rolamento de esferas Profilfræser med kugleleje

Κοπτικό κοιλωμάτων με ρουλεμάν

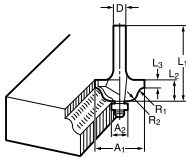


mm								
D	A ₁	A ₂	A ₃	A ₄	L ₁	L ₂	L ₃	R
6	20	18	12	8	40	10	5.5	3
6	26	22	12	8	42	12	5	5

Ball bearing roman ogee bit Fraise à profiler pour doucine avec roulement Profilfräser mit Anlaufkugellager Fresa a raggio convesso con cuscinetto

Romeinse kraal frezen met kogel-lager Fresa para moldurar con rodamiento (convexo) Fresa com gola romana com rolamento de esferas Profilfræser med kugleleje

Κοπτικό ρωμαϊκού "ogee" (προφίλ Β) με ρουλεμάν



mm							
D	A ₁	A ₂	L ₁	L ₂	L ₃	R ₁	R ₂
6	20	8	40	10	4.5	2.5	4.5
6	26	8	42	12	4.5	3	6

Makita Corporation

Anjo, Aichi, Japan

884320E995