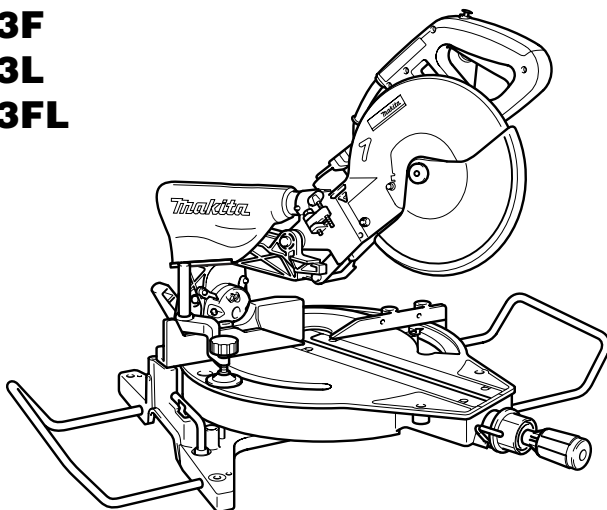
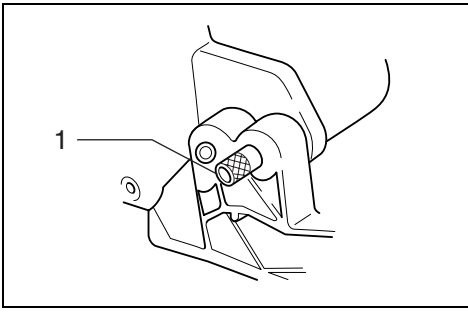




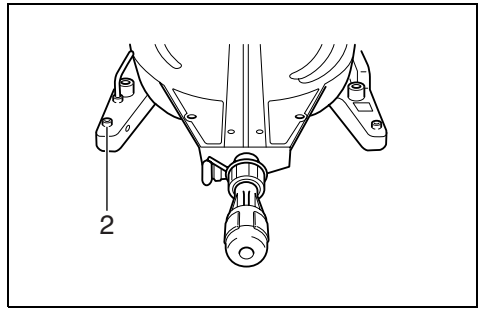
GB	Slide Compound Saw	Instruction Manual
F	Scie radiale	Manuel d'instructions
D	Verbund-Tischkreissäge	Betriebsanleitung
I	Sega composta a slitta	Istruzioni per l'uso
NL	Radiaal-/afkortzaag	Gebruiksaanwijzing
E	Sierra mixta deslizable	Manual de instrucciones
P	Serra de esquadria telescópica	Manual de instruções
DK	Kombineret afkorter-geringsssav	Brugsanvisning
GR	Ολισθαίνοντα σύνθετο πριόνι	Οδηγίες χρήσεως

LS1013
LS1013F
LS1013L
LS1013FL

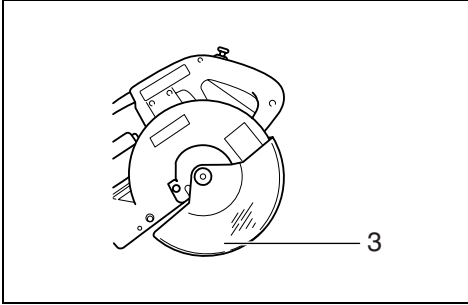




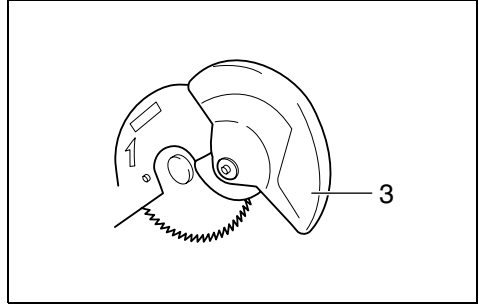
1



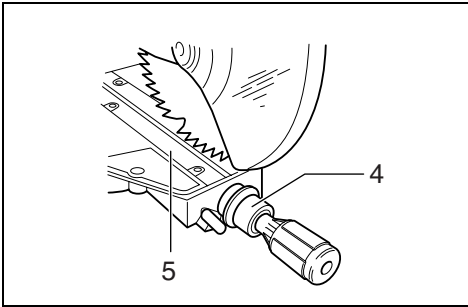
2



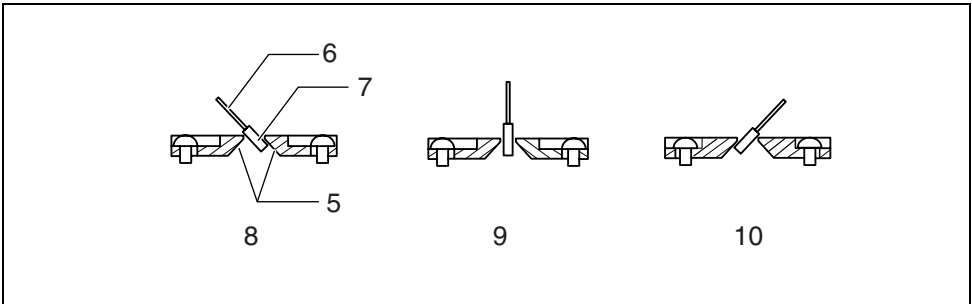
3



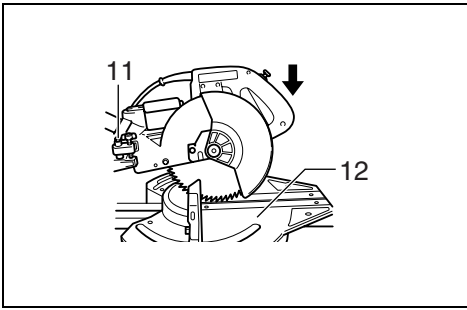
4



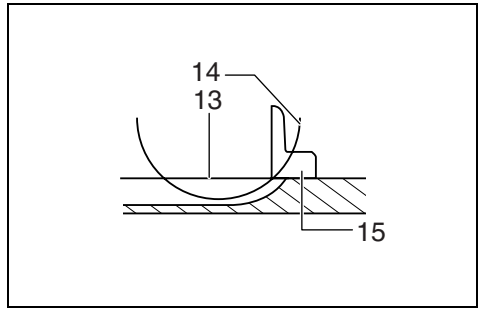
5



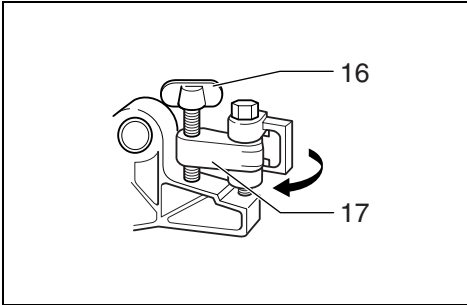
6



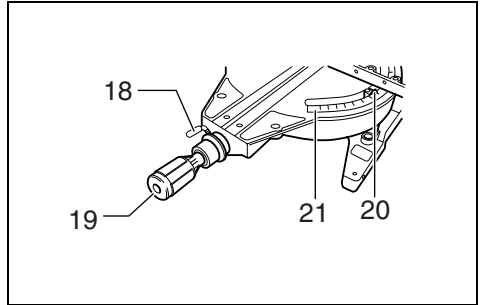
7



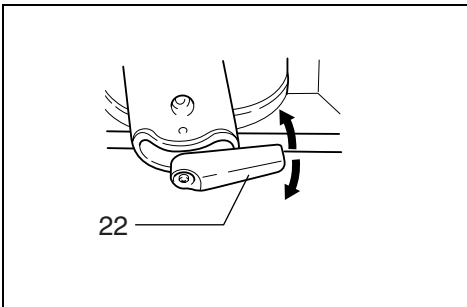
8



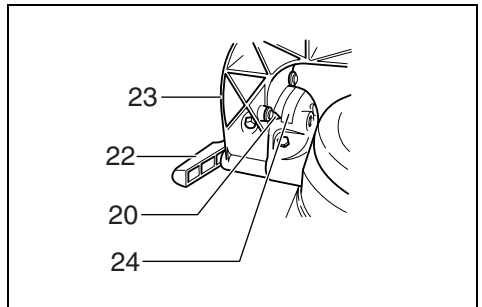
9



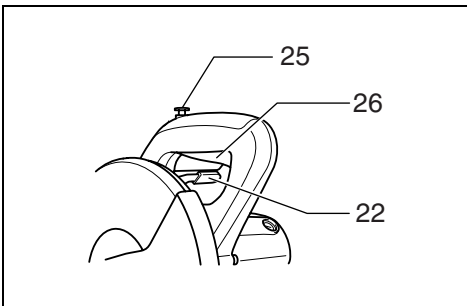
10



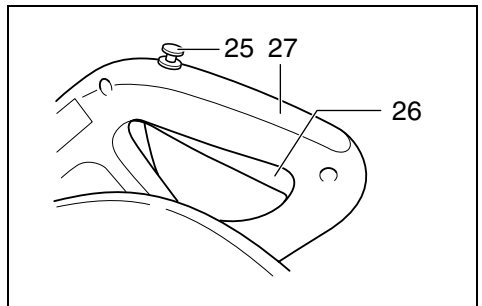
11



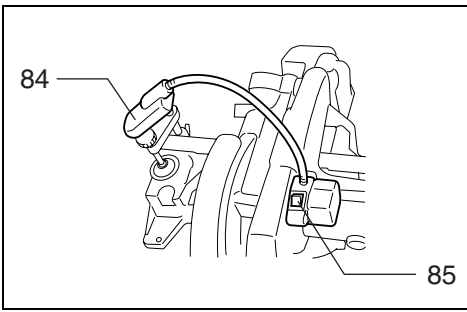
12



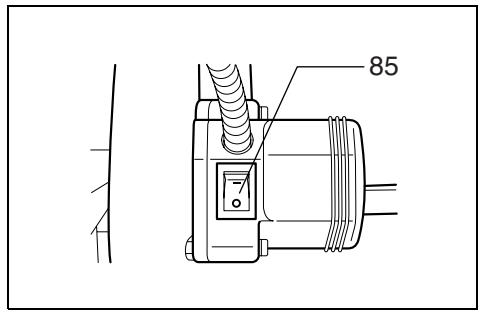
13



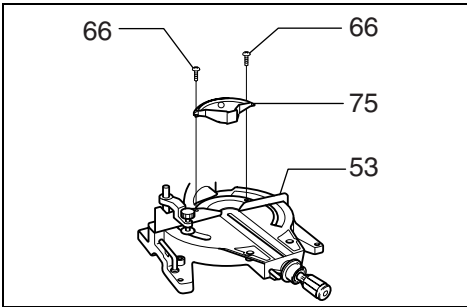
14



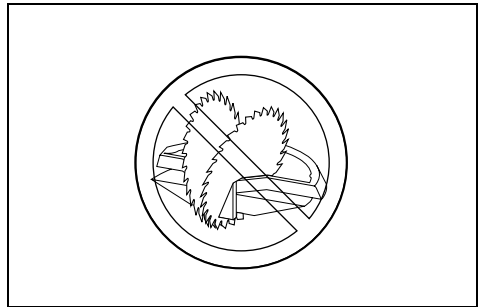
15



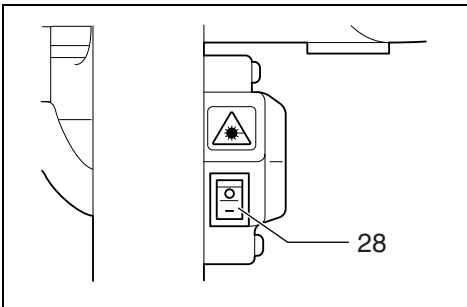
16



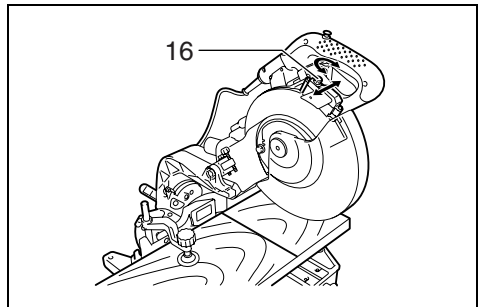
17



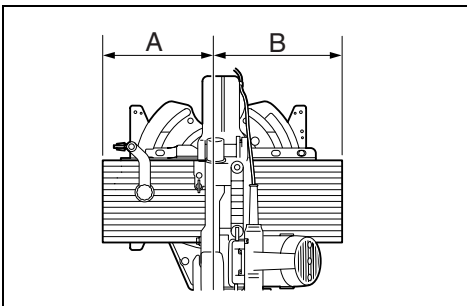
18



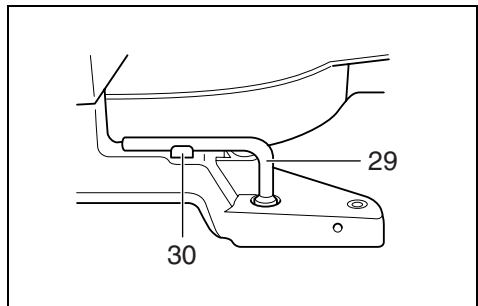
19



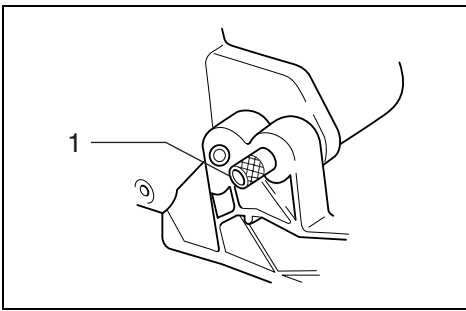
20



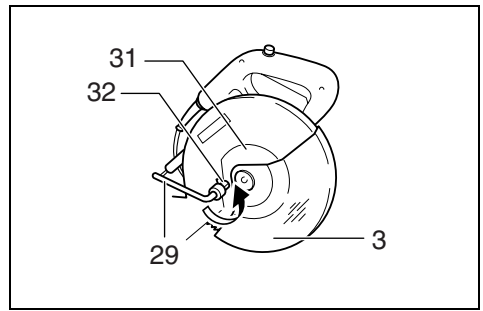
21



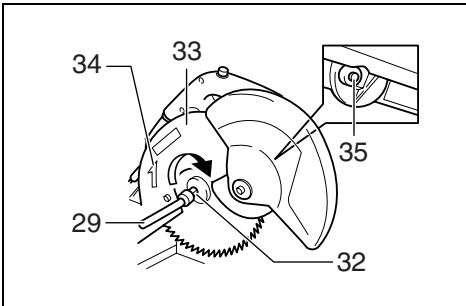
22



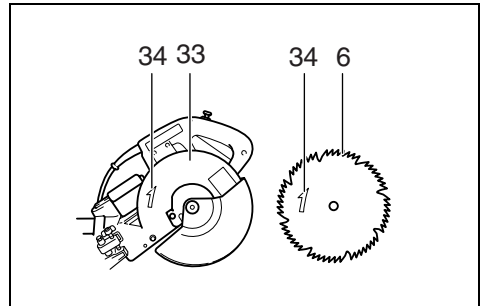
23



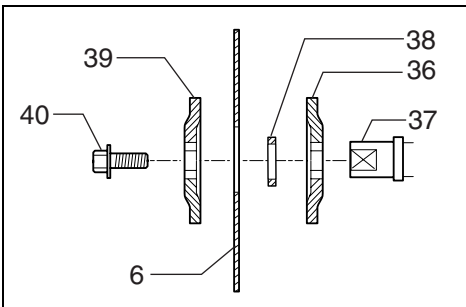
24



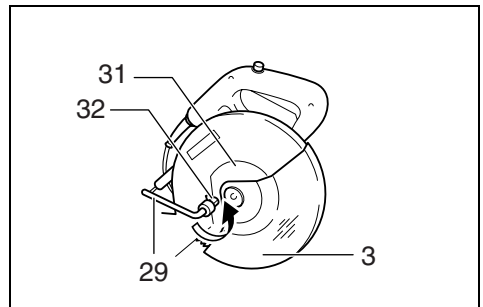
25



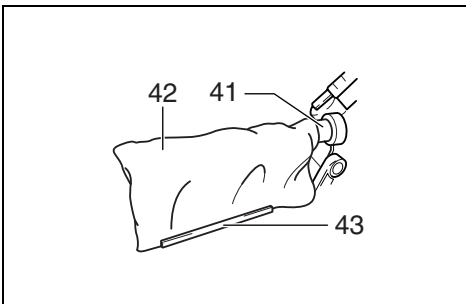
26



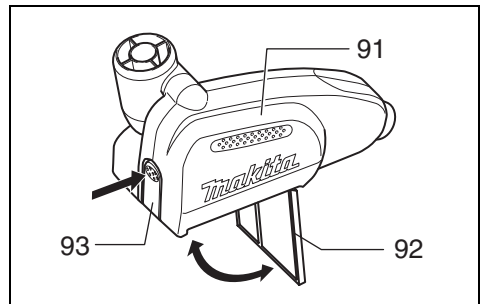
27



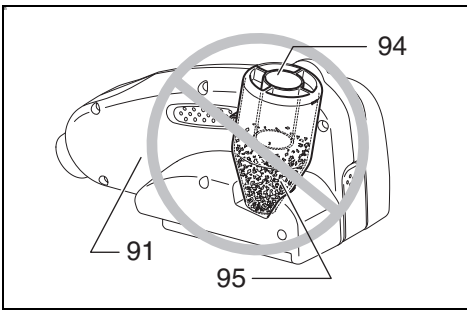
28



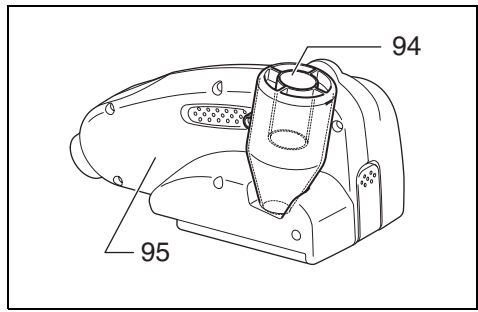
29



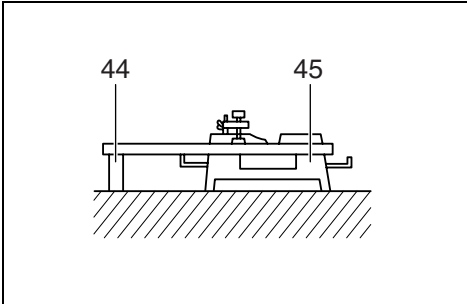
30



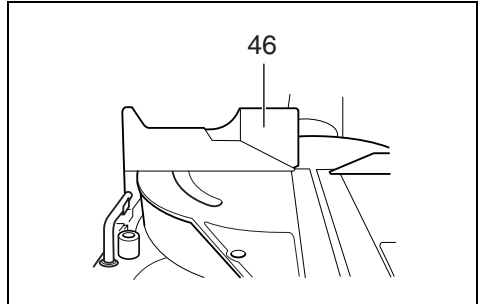
31



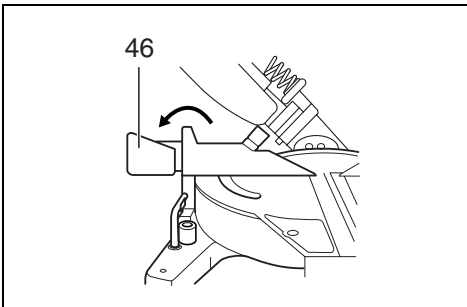
32



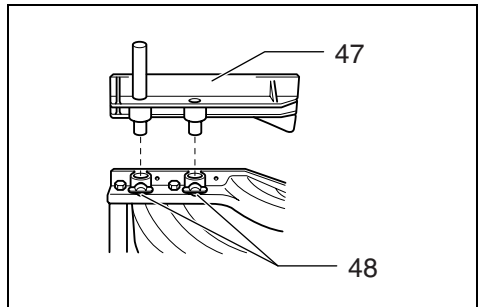
33



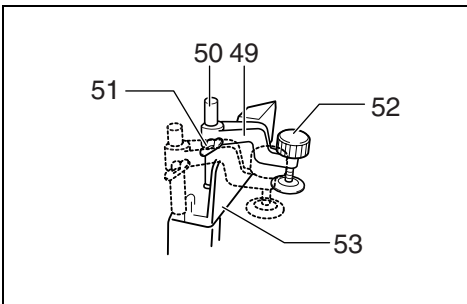
34



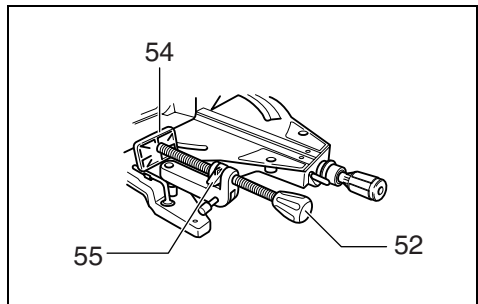
35



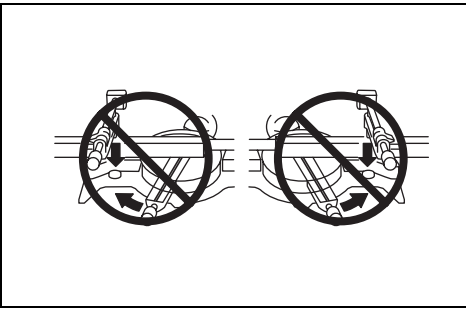
36



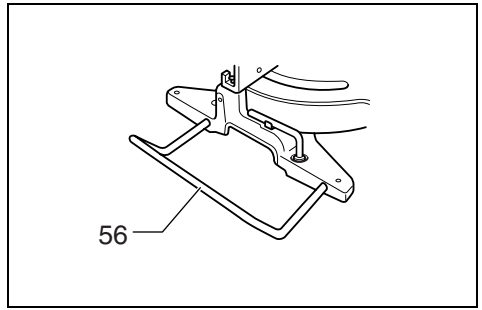
37



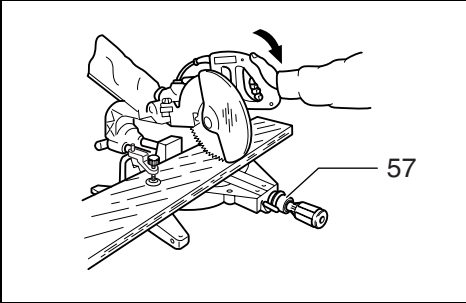
38



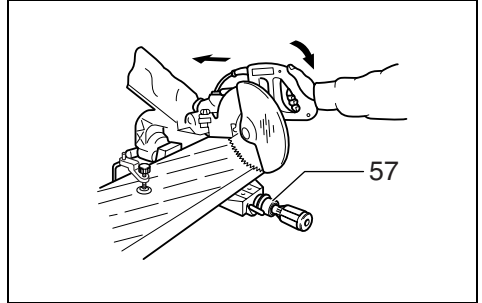
39



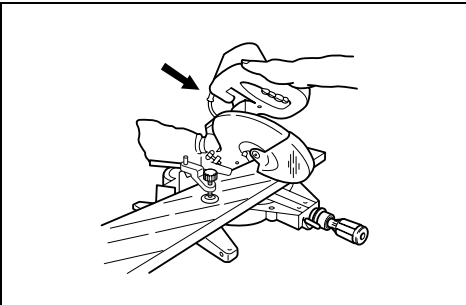
40



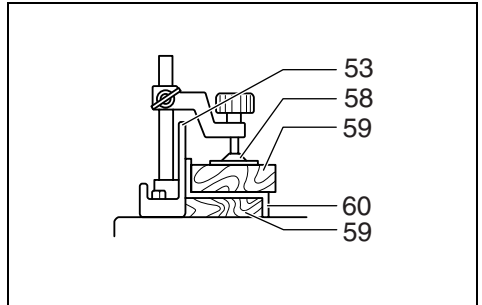
41



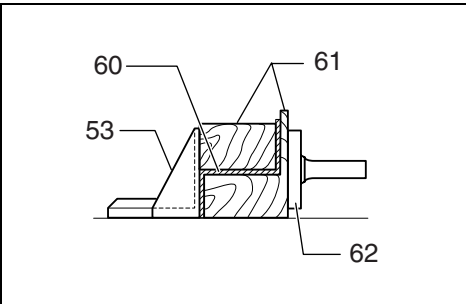
42



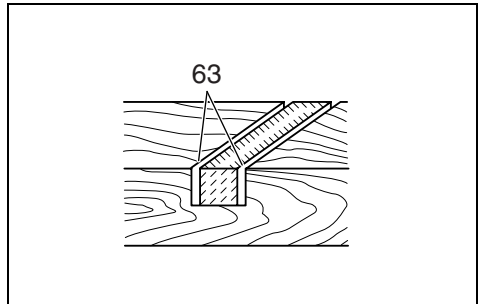
43



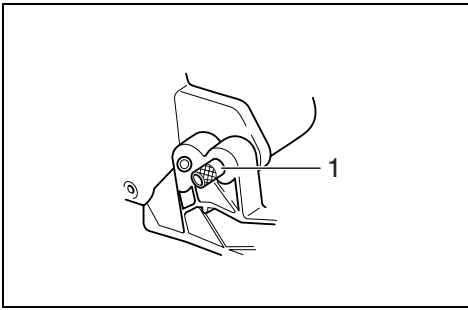
44



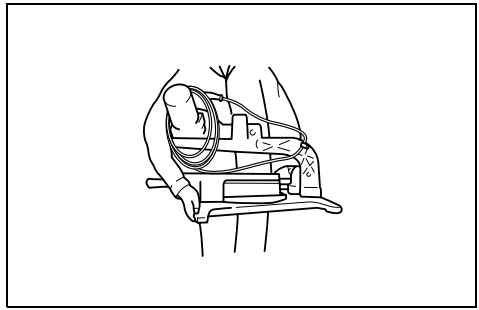
45



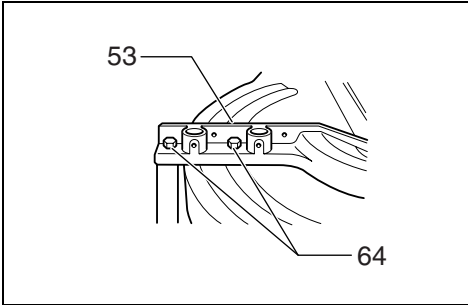
46



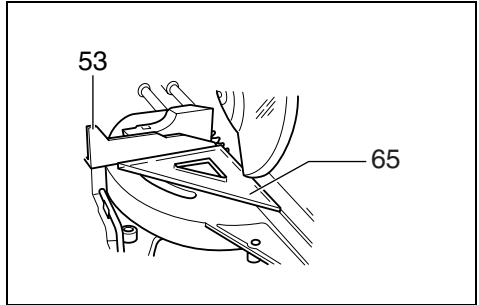
47



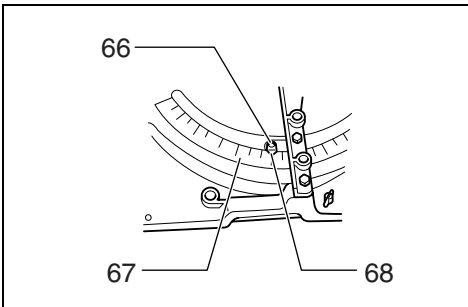
48



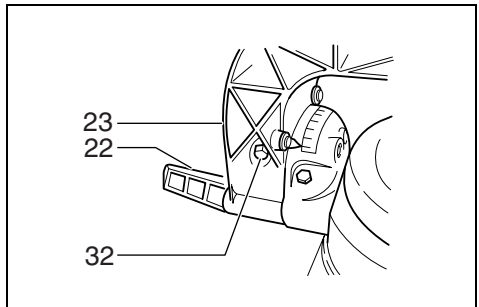
49



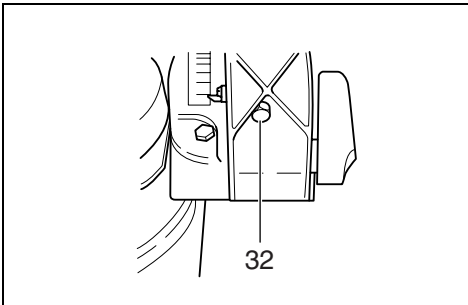
50



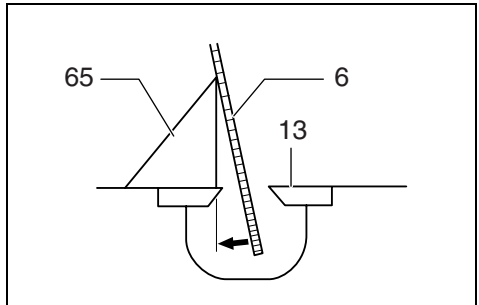
51



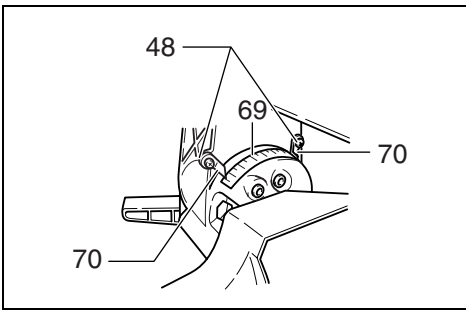
52



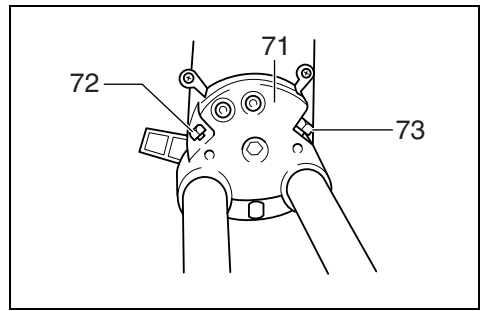
53



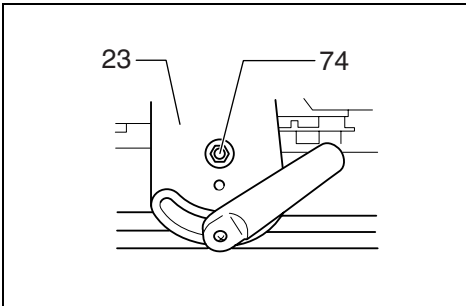
54



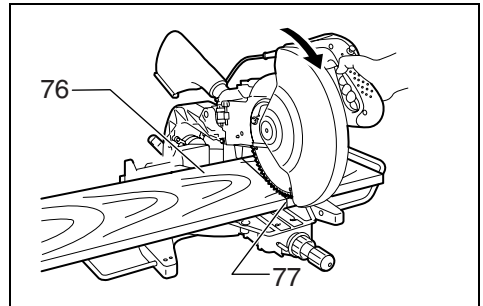
55



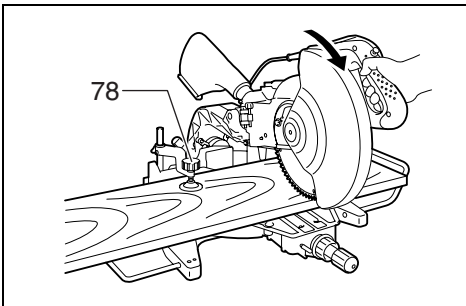
56



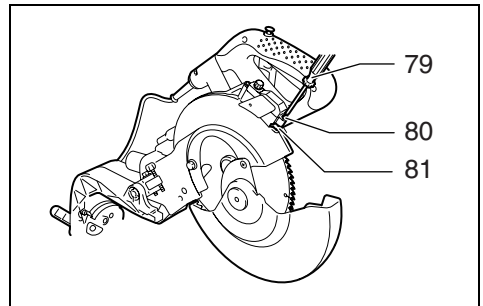
57



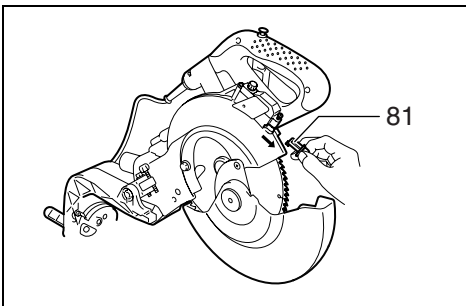
58



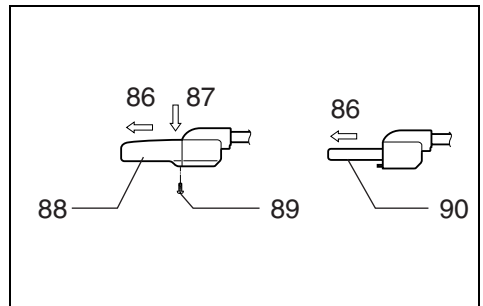
59



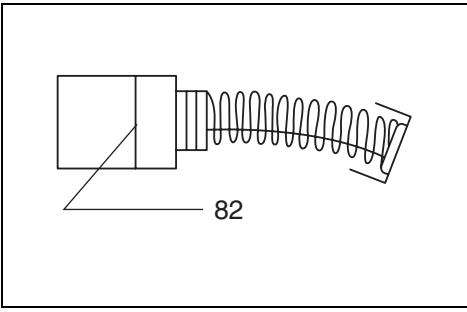
60



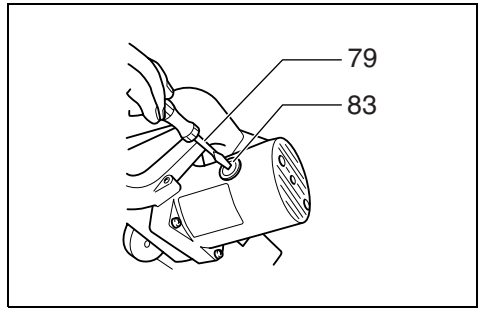
61



62



63



64

Symbols

The followings show the symbols used for the machine. Be sure that you understand their meaning before use.

Symboles

Nous donnons ci-dessous les symboles utilisés pour l'outil. Assurez-vous que vous en avez bien compris la signification avant d'utiliser l'outil.

Symbole

Die folgenden Symbole werden für die Maschine verwendet. Machen Sie sich vor der Benutzung unbedingt mit ihrer Bedeutung vertraut.

Simboli

Per questo utensile vengono usati i simboli seguenti. Bisogna capire il loro significato prima di usare l'utensile.

Symbolen

Voor dit gereedschap worden de volgende symbolen gebruikt. Zorg ervoor dat u de betekenis van deze symbolen begrijpt alvorens het gereedschap te gebruiken.

Símbolos

A continuación se muestran los símbolos utilizados con esta herramienta. Asegúrese de que entienda su significado antes de usarla.

Símbolos

O seguinte mostra os símbolos utilizados para a ferramenta. Certifique-se de que compreende o seu significado antes da utilização.

Symboler

Nedenstående symboler er anvendt i forbindelse med denne maskine. Vær sikker på, at De har forstået symbolernes betydning, før maskinen anvendes.

Σύμβολα

Τα ακόλουθα δείχνουν τα σύμβολα που χρησιμοποιούνται για το μηχάνημα. Βεβαιωθείτε ότι καταλαβαίνετε τη σημασία τους πριν από τη χρήση.



- | | |
|--|--|
| <input type="checkbox"/> Read instruction manual. | <input type="checkbox"/> Lea el manual de instrucciones. |
| <input type="checkbox"/> Lire le mode d'emploi. | <input type="checkbox"/> Leia o manual de instruções. |
| <input type="checkbox"/> Bitte Bedienungsanleitung lesen. | <input type="checkbox"/> Læs brugsanvisningen. |
| <input type="checkbox"/> Leggete il manuale di istruzioni. | <input type="checkbox"/> Διαβάστε τις οδηγίες χρήσης. |
| <input type="checkbox"/> Lees de gebruiksaanwijzing. | |



- | | |
|---|--|
| <input type="checkbox"/> DOUBLE INSULATION | <input type="checkbox"/> DOBLE AISLAMIENTO |
| <input type="checkbox"/> DOUBLE ISOLATION | <input type="checkbox"/> DUPLO ISOLAMENTO |
| <input type="checkbox"/> DOPPELT SCHUTZISOLIERT | <input type="checkbox"/> DOBBELT ISOLERET |
| <input type="checkbox"/> DOPPIO ISOLAMENTO | <input type="checkbox"/> ΔΙΠΛΗ ΜΟΝΩΣΗ |
| <input type="checkbox"/> DUBBELE ISOLATIE | |



- | |
|---|
| <input type="checkbox"/> Do not place hand or fingers close to the blade. |
| <input type="checkbox"/> Ne pas placer les mains ou les doigts près de la lame. |
| <input type="checkbox"/> Halten Sie Hände oder Finger vom Sägeblatt fern. |
| <input type="checkbox"/> Non avvicinare le mani o le dita alla lama. |
| <input type="checkbox"/> Kom met uw handen of vingers niet te dicht bij het zaagblad. |
| <input type="checkbox"/> No ponga la mano ni los dedos cerca del disco. |
| <input type="checkbox"/> Não coloque a sua mão ou dedos perto da lâmina. |
| <input type="checkbox"/> Hold hænder og fingre på god afstand af klinger. |
| <input type="checkbox"/> Μη βάζετε το χέρι ή τα δάκτυλα κοντά στην λάμα. |



- ❑ To avoid injury from flying debris, keep holding the saw head down, after making cuts, until the blade has come to a complete stop.
- ❑ Pour éviter les blessures causées par les objets projetés, maintenez la tête de la scie en position basse une fois la coupe terminée, jusqu'à ce que la lame soit complètement arrêtée.
- ❑ Um Verletzungen durch herausgeschleuderte Teile zu vermeiden, halten Sie den Sägekopf nach Ausführung von Schnitten abgesenkt, bis das Sägeblatt völlig zum Stillstand gekommen ist.
- ❑ Per evitare lesioni dalle schegge volanti, dopo aver eseguito il taglio tenere abbassata la testa sega finché la lama non si è arrestata completamente.
- ❑ Om verwonding door weggeslingerd zaagafval te voorkomen, dient u na het voltooiën van een snede de zaagkop omlaag te houden totdat het zaagblad volledig tot stilstand is gekomen.
- ❑ Para evitar sufrir heridas a causa de restos que salen despedidos, siga sujetando la cabeza de la sierra hacia abajo, al terminar los cortes, hasta que el disco se haya parado completamente.
- ❑ Para evitar danos causados por aparos que saltem, mantenha a cabeça da serra para baixo, depois de terminar os cortes, até que a lâmina esteja completamente parada.
- ❑ For at undgå at komme til skade på grund af flyvende affald, skal man holde savhovedet nede efter skæring, indtil savklingen står helt stille.
- ❑ Για να αποφύγετε τραυματισμό από ιπτάμενα τεμαχίδια, κρατάτε το πριόνι με το κεφάλι προς τα κάτω, αφού κάνετε κοπές, μέχρι η λάμα να σταματήσει τελείως.



- ❑ When performing slide cut, first pull carriage fully and press down handle, then push carriage toward the guide fence.
- ❑ Lorsque vous effectuez une coupe en glissière, tirez d'abord complètement le chariot et abaissez la poignée, puis poussez le chariot vers le guide.
- ❑ Ziehen Sie den Schlitten zur Ausführung von Schiebесchnitten zunächst ganz vor, drücken Sie den Griff nach unten, und schieben Sie dann den Schlitten zum Gehrungsanschlag.
- ❑ Per eseguire un taglio di scorrimento, tirare prima completamente il carrello, premere giù il manico e spingere poi il carrello verso la guida pezzo.
- ❑ Bij drukkend (glijdend) zagen, dient u eerst de slede volledig naar u toe te trekken en het handvat omlaag te drukken. Duw daarna de slede naar de geleider toe.
- ❑ Cuando haga cortes de deslizamiento, primero tire del carro completamente y presione hacia abajo la empuñadura, después empuje el carro hacia la guía lateral.
- ❑ Quando executada corte corrediço, puxe primeiro o carro completamente e empurre a pega para baixo e em seguida empurre o carro na direção da placa guia.
- ❑ Når man udfører savning ved gliden, skal man først trække slæden helt og trykke håndtaget ned og derefter trykke slæden mod anslaget.
- ❑ Όταν εκτελείτε ολισθητική κοπή, πρώτα τραβήχτε την κινητή βάση πλήρως και πατήστε την λαβή κάτω, μετά σπρώχτε την κινητή βάση προς τον φράχτη οδηγό.



- ❑ For your safety, remove chips, small pieces, etc. from the table top before operation.
- ❑ Pour votre sécurité, retirez les copeaux et autres petites pièces présentes sur la table avant de commencer le travail.
- ❑ Zur Sicherheit sollte die Tischplatte vor dem Betrieb von Spänen, Kleinteilen usw. gesäubert werden.
- ❑ Per la propria sicurezza, togliere i trucioli, frammenti, ecc., dalla superficie superiore del piano di taglio prima di procedere.
- ❑ Verwijder voor uw eigen veiligheid zaagafval, stukjes hout e.d. van de werktafel alvorens te gaan zagen.
- ❑ Por su propia seguridad, retire las virutas, trozos pequeños, etc., de encima de la mesa de trabajo antes de iniciar la tarea.
- ❑ Para sua segurança, retire aparos, peças pequenas, etc., de cima da bancada antes da operação.
- ❑ Af sikkerhedsårsager skal spåner, små stykker etc. fjernes fra bordtoppen inden anvendelsen.
- ❑ Για την ασφάλειά σας, αφαιρέστε τα αποκοπίδια, μικρά κομμάτια, κλπ. από το τραπέζι πριν από την λειτουργία.



- Always set SUB-FENCE to left position when performing left bevel cuts. Failure to do so may cause serious injury to operator.
- Lorsque vous effectuez des coupes en biseau sur la gauche, placez toujours la BUTÉE PARE-ÉCLATS ROTATIVE à gauche. Sinon, il y a risque de blessure grave.
- Stellen Sie den ZUSATZANSCHLAG bei der Durchführung von Neigungsschnitten immer auf die linke Position. Anderenfalls kann die Bedienungsperson ernsthaft verletzt werden.
- Posizionare sempre la guida pezzo secondaria a sinistra prima di eseguire i tagli a unghia. In caso contrario, c'è pericolo di lesioni serie all'operatore.
- Zet de HULPGELEIDER altijd in de linkse positie wanneer u linkse schuine sneden wilt zagen. Als u dit niet doet, kan de gebruiker ernstige verwonding oplopen.
- Ponga siempre la GUÍA AUXILIAR en la posición izquierda cuando realice cortes en bisel izquierdo. De lo contrario, podrá sufrir graves heridas.
- Coloque sempre a GUIA AUXILIAR no lado esquerdo quando executa cortes de bisel à esquerda. Se não o fizer pode ferir o operador.
- Anbig alltid hjælpeanslaget (SUB-FENCE) i venstre position, når der laves skråsnit. Forsømmelse af dette kan bevirke, at operatøren kommer alvorligt til skade.
- Πάντοτε ρυθμίζετε το SUB-FENCE (ΥΠΟ-ΦΡΑΚΤΗ) στην αριστερή θέση όταν εκτελείτε αριστερές λοξές κοπές. Αμέλεια να το κάνετε μπορεί να προκαλέσει σοβαρό τραυματισμό στον χρήστη.



- Always remove SUB-FENCE R when performing right bevel cuts. Failure to do so may cause serious injury to operator.
- Retirez toujours la BUTÉE PARE-ÉCLATS ROTATIVE DE DROITE lorsque vous effectuez des coupes en biseau sur la gauche. Sinon, il y a risque de blessure grave.
- Vor der Ausführung von rechtsseitigen Neigungsschnitten muss der ZUSATZANSCHLAG R immer entfernt werden. Anderenfalls kann die Bedienungsperson ernsthaft verletzt werden.
- Rimuovere sempre la guida pezzo secondaria R per eseguire i tagli a unghia destri. In caso contrario, c'è pericolo di lesioni serie all'operatore.
- Verwijder altijd de HULPGELEIDER R wanneer u rechtse schuine sneden wilt zagen. Als u dit niet doet, kan de gebruiker ernstige verwonding oplopen.
- Quite siempre la GUÍA AUXILIAR DERECHA cuando realice cortes en bisel derecho. De lo contrario, podrá sufrir graves heridas.
- Retire sempre a GUIA AUXILIAR Direita quando executa cortes de bisel à direita. Se não o fizer pode ferir o operador.
- Fjern altid det højre hjælpeanslag (SUB-FENCE R), når der laves højre skråsnit. Forsømmelse af dette kan bevirke, at operatøren kommer alvorligt til skade.
- Πάντοτε αφαιρείτε τον SUB-FENCE R (ΥΠΟ-ΦΡΑΚΤΗ R) όταν εκτελείτε δεξιές λοξές κοπές. Αμέλεια να το κάνετε μπορεί να προκαλέσει σοβαρό τραυματισμό στον χρήστη.



- Never look into the laser beam. Direct laser beam may injure your eyes.
- Ne jamais regarder directement la source du faisceau laser. L'exposition directe au faisceau laser comporte un risque de blessure aux yeux.
- Blicken Sie auf keinen Fall in den Laserstrahl. Der direkte Laserstrahl kann Ihre Augen verletzen.
- Mai guardare direttamente il raggio laser. Il raggio laser può danneggiare gli occhi.
- Kijk nooit in de laserstraal. Een directe laserstraal kan oogletsel veroorzaken.
- No mire nunca directamente al rayo láser. El rayo láser directo puede dañar sus ojos.
- Nunca olhe para o raio laser. Se olhar directamente para o raio laser pode ferir os seus olhos.
- Se aldrig ind i laserstrålen. Direkte udsættelse for laserstråling kan skade dit syn.
- Ποτέ μη κυττάτε απευθείας την ακτίνα λέιζερ. Η απευθείας ακτίνα λέιζερ μπορεί να προκαλέσει τραυματισμό στα μάτια σας.

ENGLISH

Explanation of general view

1 Stopper pin	34 Arrow	66 Screw
2 Bolt	35 Shaft lock	67 Miter scale
3 Blade guard	36 Inner flange	68 Pointer
4 Knob	37 Spindle	69 Bevel scale
5 Kerf board	38 Ring	70 Pointers
6 Saw blade	39 Outer flange	71 Arm holder
7 Blade teeth	40 Hex bolt (left handed)	72 Right 45° bevel angle adjusting bolt
8 Left bevel cut	41 Dust nozzle	73 Left 45° bevel angle adjusting bolt
9 Straight cut	42 Dust bag	74 Hex lock nut
10 Right bevel cut	43 Fastener	75 Kerf block
11 Adjusting bolt	44 Support	76 Work piece
12 Turn base	45 Turn base	77 Cutting line
13 Top surface of turn base	46 Sub-fence	78 Vertical vise
14 Periphery of blade	47 Sub-fence R	79 Screwdriver
15 Guide fence	48 Screws	80 Screw (one piece only)
16 Adjusting screw	49 Vise arm	81 Lens for the laser light
17 Stopper arm	50 Vise rod	82 Limit mark
18 Lock lever	51 Screw	83 Brush holder cap
19 Grip	52 Vise knob	84 Light
20 Pointer	53 Guide fence	85 Light switch
21 Miter scale	54 Vise plate	86 Pull out
22 Lever	55 Vise nut	87 Push
23 Arm	56 Holder	88 Lamp box
24 Bevel scale	57 Knob	89 Screws
25 Lock-off button	58 Vise	90 Fluorescent tube
26 Switch trigger	59 Spacer block	91 Dust box
27 Handle	60 Aluminum extrusion	92 Cover
28 Switch for laser	61 Spacer blocks	93 Button
29 Socket wrench	62 Horizontal vise (optional accessory)	94 Cylinder part
30 Wrench holder	63 Cut grooves with blade	95 Sawdust
31 Center cover	64 Hex bolts	
32 Hex bolt	65 Triangular rule	
33 Blade case		

SPECIFICATIONS

Model	LS1013/LS1013F/LS1013L/LS1013FL
Blade diameter	250 – 260 mm
Hole diameter	
For all countries other than European countries	25.4 mm and 25 mm
For European countries	30 mm
Max. cutting capacities (H x W) with blade 260 mm in diameter	

Miter angle	Bevel angle		
	45° (left)	0°	45° (right)
0°	50 mm x 310 mm	91 mm x 310 mm	31 mm x 310 mm
45° (left and right)	(left) 50 mm x 200 mm (right) 50 mm x 220 mm	91 mm x 220 mm	31 mm x 220 mm
52° (right)	—	91 mm x 190 mm	—

No load speed (min ⁻¹)	3,700
Laser Type (LS1013L/LS1013FL only)	Red Laser 650 nm, <1mW (Laser Class 2)
Dimensions (L x W x H)	
LS1013/LS1013F	715 mm x 520 mm x 625 mm
LS1013L/LS1013FL	715 mm x 520 mm x 640 mm
Net weight	
LS1013/LS1013F	21 kg
LS1013L/LS1013FL	22 kg
Safety class	☐ /II

- Due to our continuing program of research and development, the specifications herein are subject to change without notice.
- Note: Specifications may differ from country to country.

Intended use

The tool is intended for accurate straight and miter cutting in wood. With appropriate saw blades, aluminum can also be sawed.

Power supply

The tool should be connected only to a power supply of the same voltage as indicated on the nameplate, and can only be operated on single-phase AC supply. They are double-insulated in accordance with European Standard and can, therefore, also be used from sockets without earth wire.

Safety hints

For your own safety, please refer to the enclosed safety instructions.

ADDITIONAL SAFETY RULES FOR TOOL

ENB034-3

1. **Wear eye protection.**
2. **Keep hands out of path of saw blade.** Avoid contact with any coasting blade. It can still cause severe injury.
3. **Do not operate saw without guards in place. Check blade guard for proper closing before each use. Do not operate saw if blade guard does not move freely and close instantly. Never clamp or tie the blade guard into the open position.**
4. **Do not perform any operation freehand.** The workpiece must be secured firmly against the turn base and guide fence with the vise during all operations. Never use your hand to secure the workpiece.
5. **Never reach around saw blade.**
6. **Turn off tool and wait for saw blade to stop before moving workpiece or changing settings.**
7. **Unplug tool before changing blade or servicing.**
8. **Always secure all moving portions before carrying the tool.**
9. **Stopper pin which locks the cutter head down is for carrying and storage purposes only and not for any cutting operations.**
10. Don't use the tool in the presence of flammable liquids or gases.
11. Check the blade carefully for cracks or damage before operation.
Replace cracked or damaged blade immediately.
12. Use only flanges specified for this tool.
13. Be careful not to damage the arbor, flanges (especially the installing surface) or bolt. Damage to these parts could result in blade breakage.
14. Make sure that the turn base is properly secured so it will not move during operation.
15. For your safety, remove the chips, small pieces, etc. from the table top before operation.
16. Avoid cutting nails. Inspect for and remove all nails from the workpiece before operation.
17. Make sure the shaft lock is released before the switch is turned on.
18. Be sure that the blade does not contact the turn base in the lowest position.
19. Hold the handle firmly. Be aware that the saw moves up or down slightly during start-up and stopping.

20. Make sure the blade is not contacting the workpiece before the switch is turned on.
21. Before using the tool on an actual workpiece, let it run for a while. Watch for vibration or wobbling that could indicate poor installation or a poorly balanced blade.
22. Wait until the blade attains full speed before cutting.
23. Stop operation immediately if you notice anything abnormal.
24. Do not attempt to lock the trigger in the on position.
25. Be alert at all times, especially during repetitive, monotonous operations. Don't be lulled into a false sense of security. Blades are extremely unforgiving.
26. Always use accessories recommended in this manual. Use of improper accessories such as abrasive wheels may cause an injury.
27. **Do not use the saw to cut other than aluminum, wood or similar materials.**
28. **Connect miter saws to a dust collecting device when sawing.**
29. **Select saw blades in relation to the material to be cut.**
30. **Take care when slotting.**
31. **Replace the kerf board when worn.**
32. **Do not use saw blades manufactured from high speed steel.**
33. **Some dust created from operation contains chemicals known to cause cancer, birth defects or other reproductive harm. Some examples of these chemicals are:**
 - lead from lead-based-painted material and,
 - arsenic and chromium from chemically-treated lumber.

Your risk from these exposures varies, depending on how often you do this type of work. To reduce your exposure to these chemicals: work in a well ventilated area and work with approved safety equipment, such as those dust masks that are specially designed to filter out microscopic particles.
34. **To reduce the emitted noise, always be sure that the blade is sharp and clean.**
35. **The operator is adequately trained in the use, adjustment and operation of the machine.**
36. **Use correctly sharpened saw blades. Observe the maximum speed marked on the saw blade.**
37. **Refrain from removing any cut-offs or other parts of the workpiece from the cutting area whilst the machine is running and the saw head is not in the rest position.**

SAVE THESE INSTRUCTIONS

INSTALLATION

Bench mounting

When the tool is shipped, the handle is locked in the lowered position by the stopper pin. Release the stopper pin by lowering the handle slightly and pulling the stopper pin. (Fig. 1)

This tool should be bolted with four bolts to a level and stable surface using the bolt holes provided in the tool's base. This will help prevent tipping and possible injury. (Fig. 2)

FUNCTIONAL DESCRIPTION

CAUTION:

- Always be sure that the tool is switched off and unplugged before adjusting or checking function on the tool.

Blade guard (Fig. 3 & 4)

When lowering the handle, the blade guard rises automatically. The blade guard returns to its original position when the cut is completed and the handle is raised. NEVER DEFEAT OR REMOVE THE BLADE GUARD OR THE SPRING WHICH ATTACHES TO THE GUARD.

In the interest of your personal safety, always maintain the blade guard in good condition. Any irregular operation of the blade guard should be corrected immediately. Check to assure spring loaded return action of guard. NEVER USE THE TOOL IF THE BLADE GUARD OR SPRING ARE DAMAGED, FAULTY OR REMOVED. DOING SO IS HIGHLY DANGEROUS AND CAN CAUSE SERIOUS PERSONAL INJURY.

If the see-through blade guard becomes dirty, or sawdust adheres to it in such a way that the blade and/or workpiece is no longer easily visible, unplug the saw and clean the guard carefully with a damp cloth. Do not use solvents or any petroleum-based cleaners on the plastic guard.

If the blade guard is especially dirty and vision through the guard is impaired, use the supplied socket wrench to loosen the hex bolt holding the center cover.

Loosen the hex bolt by turning it counterclockwise and raise the blade guard and center cover. With the blade guard so positioned, cleaning can be more completely and efficiently accomplished. When cleaning is complete, reverse procedure above and secure bolt. Do not remove spring holding blade guard. If guard becomes discolored through age or UV light exposure, contact a Makita service center for a new guard. DO NOT DEFEAT OR REMOVE GUARD.

Positioning kerf board (Fig. 5 & 6)

This tool is provided with the kerf boards in the turn base to minimize tearing on the exit side of a cut. The kerf boards are factory adjusted so that the saw blade does not contact the kerf boards. Before use, adjust the kerf boards as follows:

First, unplug the tool. Loosen all the screws (2 each on left and right) securing the kerf boards. Re-tighten them only to the extent that the kerf boards can still be easily moved by hand. Lower the handle fully and push in the stopper pin to lock the handle in the lowered position. Loosen the knob which secures the slide poles. Pull the carriage toward you fully. Adjust the kerf boards so that the kerf boards just contact the sides of the blade teeth. Tighten the front screws (do not tighten firmly). Push the carriage toward the guide fence fully and adjust the kerf boards so that the kerf boards just contact the sides of blade teeth. Tighten the rear screws (do not tighten firmly).

After adjusting the kerf boards, release the stopper pin and raise the handle. Then tighten all the screws securely.

CAUTION:

- Before and after changing the bevel angle, always adjust the kerf boards as described above.

Maintaining maximum cutting capacity (Fig. 7 & 8)

Unplug the tool before any adjustment is attempted. This tool is factory adjusted to provide the max. cutting capacity for a 255 mm saw blade.

When installing a new blade, always check the lower limit position of the blade and if necessary, adjust it as follows: First, unplug the tool. Push the carriage toward the guide fence fully and lower the handle completely. Use the socket wrench to turn the adjusting bolt until the periphery of the blade extends slightly below the top surface of the turn base at the point where the front face of the guide fence meets the top surface of the turn base.

With the tool unplugged, rotate the blade by hand while holding the handle all the way down to be sure that the blade does not contact any part of the lower base. Re-adjust slightly, if necessary.

CAUTION:

- After installing a new blade, always be sure that the blade does not contact any part of the lower base when the handle is lowered completely. Always do this with the tool unplugged.

Stopper arm (Fig. 9)

The lower limit position of the blade can be easily adjusted with the stopper arm. To adjust it, rotate the stopper arm in the direction of the arrow as shown in the figure. Adjust the adjusting screw so that the blade stops at the desired position when lowering the handle fully.

Adjusting the miter angle (Fig. 10)

Loosen the grip by turning counterclockwise. Turn the turn base while pressing down the lock lever. When you have moved the grip to the position where the pointer points to the desired angle on the miter scale, securely tighten the grip clockwise.

CAUTION:

- When turning the turn base, be sure to raise the handle fully.
- After changing the miter angle, always secure the turn base by tightening the grip firmly.

Adjusting the bevel angle (Fig. 11 & 12)

To adjust the bevel angle, loosen the lever at the rear of the tool counterclockwise. Unlock the arm by pushing the handle somewhat strongly in the direction that you intend to tilt the saw blade.

Tilt the saw blade until the pointer points to the desired angle on the bevel scale. Then tighten the lever clockwise firmly to secure the arm.

CAUTION:

- When tilting the saw blade, be sure to raise the handle fully.
- After changing the bevel angle, always secure the arm by tightening the lever clockwise.
- When changing bevel angles, be sure to position the kerf boards appropriately as explained in the "Positioning kerf boards" section.

Switch action

CAUTION:

- Before plugging in the tool, always check to see that the switch trigger actuates properly and returns to the "OFF" position when released.
- When not using the tool, remove the lock-off button and store it in a secure place. This prevents unauthorized operation.

- Do not pull the switch trigger hard without pressing in the lock-off button. This can cause switch breakage.

For European countries (Fig. 13)

To prevent the switch trigger from being accidentally pulled, a lock-off button is provided. To start the tool, push the lever to the left, press in the lock-off button and then pull the switch trigger. Release the switch trigger to stop.

For all countries other than European countries (Fig. 14)

To prevent the switch trigger from being accidentally pulled, a lock-off button is provided. To start the tool, press in the lock-off button and pull the switch trigger. Release the switch trigger to stop.

WARNING:

- NEVER use tool without a fully operative switch trigger. Any tool with an inoperative switch is HIGHLY DANGEROUS and must be repaired before further usage.
- For your safety, this tool is equipped with a lock-off button which prevents the tool from unintended starting. NEVER use the tool if it runs when you simply pull the switch trigger without pressing the lock-off button. Return tool to a Makita service center for proper repairs BEFORE further usage.
- NEVER tape down or defeat purpose and function of lock-off button.

Lighting up the lamps (Fig. 15 & 16)

For Model LS1013F, LS1013FL only

CAUTION:

- This is not a rainproof light. Do not wash the light in water or use it in a rain or a wet area. Such a conduct can cause an electric shock and fume.
- Do not touch the lens of the light, as it is very hot while it is lighted or shortly after it is turned off. This may cause a burn to a human body.
- Do not apply impact to the light, which may cause damage or shorted service time to it.
- Do not keep casting the beam of the light to your eyes. This can cause your eyes to be hurt.
- Do not cover the light with clothes, carton, cardboard or similar objects while it is lighted, which can cause a fire or an ignition.

Push the upper position of the switch for turning on the light and the lower position for off.

Move the light to shift an area of lighting.

NOTE:

- Use a dry cloth to wipe the dirt off the lens of lamp. Be careful not to scratch the lens of light, or it may lower the illumination.

Kerf block (optional accessory) (Fig. 17 & 18)

CAUTION:

- When using the kerf block, always cut at the same miter angle.
- When changing the miter angle, use other kerf blocks.
- When performing bevel cuts, never use the kerf blocks. Failure to do so splits the block, causing a serious injury to operator.

When you use the kerf block at 90° cutting, you can splinter-free cut in workpiece on the side of the guide fence (height of the workpiece is up to 35 mm). Install the kerf block onto the guide fence by means of the two screws. (Adjust the guide fence and the kerf block so that they contact their faces. Then tighten the screws securely.)

Laser beam action

For model LS1013L, LS1013FL only

CAUTION:

- Never look into the laser beam. Direct laser beam may injure your eyes.
- LASER RADIATION, DO NOT STARE INTO THE BEAM OR VIEW DIRECTLY WITH OPTICAL INSTRUMENTS, CLASS 2M LASER PRODUCT.

To turn on the laser beam, press the upper position (I) of the switch. Press the lower position (O) to turn off. (Fig. 19)

Laser line can be shifted to either the left or right side of the saw blade by adjusting the adjusting screw as follows. (Fig. 20)

1. Loosen the adjusting screw by turning it counter-clockwise.
2. With the adjusting screw loosened, slide the adjusting screw to the right or left as far as it goes.
3. Tighten the adjusting screw firmly at the position where it stops sliding.

Laser line is factory adjusted so that it is positioned within 1 mm from the side surface of the blade (cutting position).

NOTE:

- When laser line is dim and almost or entirely invisible because of the direct sunlight in the indoor or outdoor window-by work, relocate the work area to a place not exposed to the direct sunlight.

Aligning the laser line (Fig. 21)

Laser line can be shifted to either the left or right side of the blade according to the applications of cutting. Refer to explanation titled "Laser beam action" regarding its shifting method.

NOTE:

- Use wood facing against the guide fence when aligning the cutting line with the laser line at the side of guide fence in compound cutting (bevel angle 45 degrees and miter angle right 45 degrees).
 - A) When you obtain correct size on the left side of workpiece
 - Shift the laser line to the left of the blade.
 - B) When you obtain correct size on the right side of workpiece
 - Shift the laser line to the right of the blade.

Align the cutting line on your workpiece with the laser line.

ASSEMBLY

CAUTION:

- Always be sure that the tool is switched off and unplugged before carrying out any work on the tool.

Socket wrench storage (Fig. 22)

The socket wrench is stored as shown in the figure. When using the socket wrench, pull it out of the wrench holder. After using the socket wrench, return it to the wrench holder.

Installing or removing saw blade

CAUTION:

- Always be sure that the tool is switched off and unplugged before installing or removing the blade.
- Use only the Makita socket wrench provided to install or remove the blade. Failure to do so may result in overtightening or insufficient tightening of the hex bolt. This could cause a personal injury.

Lock the handle in the raised position by pushing in the stopper pin. (Fig. 23)

To remove the blade, use the socket wrench to loosen the hex bolt holding the center cover by turning it counterclockwise. Raise the blade guard and center cover. (Fig. 24)

Press the shaft lock to lock the spindle and use the socket wrench to loosen the hex bolt clockwise. Then remove the hex bolt, outer flange and blade. (Fig. 25)

To install the blade, mount it carefully onto the spindle, making sure that the direction of the arrow on the surface of the blade matches the direction of the arrow on the blade case. Install the outer flange and hex bolt, and then use the socket wrench to tighten the hex bolt (left-handed) securely counterclockwise while pressing the shaft lock. (Fig. 26)

For all countries other than European countries

CAUTION:

- The black ring 25 mm in outer diameter and the silver ring 25.4 mm in outer diameter are factory-installed as shown in the figure. When using a blade with 25 mm hole diameter, replace the silver ring with the black ring. Before mounting the blade onto the spindle, always be sure that the correct ring for the arbor hole of the blade you intend to use is installed between the inner and outer flanges. (Fig. 27)

For European countries

CAUTION:

- The ring 30 mm in outer diameter is factory-installed between the inner and outer flanges.

Install the outer flange and hex bolt, and then use the socket wrench to tighten the hex bolt securely counterclockwise while pressing the shaft lock.

Return the blade guard and center cover to its original position. Then tighten the hex bolt clockwise to secure the center cover. Release the handle from the raised position by pulling the stopper pin. Lower the handle to make sure that the blade guard moves properly. Make sure shaft lock has released spindle before making cut. (Fig. 28)

Dust bag (accessory) (Fig. 29)

The use of the dust bag makes cutting operations clean and dust collection easy. To attach the dust bag, insert the dust nozzle into the dust spout on the blade case and fit the bag's entry port over the dust nozzle.

When the dust bag is about half full, remove the dust bag from the tool and pull the fastener out. Empty the dust bag of its contents, tapping it lightly so as to remove particles adhering to the insides which might hamper further collection.

NOTE:

If you connect a vacuum cleaner to your saw, more efficient and cleaner operations can be performed.

Dust box (accessory) (Fig. 30, 31 & 32)

Insert the dust box into the dust nozzle.

Empty the dust box at the earliest possible.

To empty the dust box, open the cover by pushing the button and throw away sawdust. Return the cover to the original position and it locks. Dust box can easily be removed by pulling out while turning it near the dust nozzle on the tool.

NOTE:

- If you connect a Makita vacuum cleaner to this tool, more efficient and cleaner operations can be performed.

CAUTION:

- Empty the dust box before collected sawdust level reaches the cylinder part.

Securing workpiece

WARNING:

- It is extremely important to always secure the workpiece properly and tightly with the vise. Failure to do so can cause the tool to be damaged and/or the workpiece to be destroyed. PERSONAL INJURY MAY ALSO RESULT. Also, after a cutting operation, DO NOT raise the blade until the blade has come to a complete stop.

CAUTION:

- When cutting long workpieces, use supports that are as high as the top surface level of the turn base. Do not rely solely on the vertical vise and/ or horizontal vise to secure the workpiece.

Thin material tends to sag. Support workpiece over its entire length to avoid blade pinch and possible KICK-BACK. (Fig. 33)

Sub-fence

This tool is equipped with the sub-fence which should ordinarily be positioned as shown in Fig. 34.

However, when performing left bevel cuts, set it to the left position as shown in Fig. 35.

CAUTION:

- When performing left bevel cuts, flip the fence over to the left position as shown in Fig. 35. Otherwise, it will contact the blade or a part of the tool, causing possible serious injury to the operator.

Sub-fence R (optional accessory) (Fig. 36)

The sub-fence R can be installed on the right side of the guide fence. Insert the rods of the sub-fence R into the holes in the guide fence. Tighten the screws which come with the sub-fence R to secure the sub-fence R.

CAUTION:

- When performing right bevel cuts, never use the sub-fence R. It will contact the blade or a part of the tool, causing a serious injury to operator.

Vertical vise (Fig. 37)

The vertical vise can be installed in two positions on either the left or right side of the guide fence or the base. Insert the vise rod into the hole in the guide fence and tighten the screw on the back of the guide fence to secure the vise rod.

Position the vise arm according to the thickness and shape of the workpiece and secure the vise arm by tightening the screw. If the screw to secure the vise arm contacts the guide fence, install the screw on the opposite side of vise arm. Make sure that no part of the tool contacts the vise when lowering the handle fully and pulling or pushing the carriage all the way. If some part contacts the vise, re-position the vise.

Press the workpiece flat against the guide fence and the turn base. Position the workpiece at the desired cutting position and secure it firmly by tightening the vise knob.

CAUTION:

- The workpiece must be secured firmly against the turn base and guide fence with the vise during all operations.

Horizontal vise (optional accessory) (Fig. 38 & 39)

The horizontal vise can be installed in two positions on either the left or right side of the base. When performing 15° or greater miter cuts, install the horizontal vise on the side opposite the direction in which the turn base is to be turned.

By flipping the vise nut to the left, the vise is released, and rapidly moves in and out. To grip the workpiece, push the vise knob forward until the vise plate contacts the workpiece and flip the vise nut to the right. Then turn the vise knob clockwise to secure the workpiece.

The maximum width of workpiece which can be secured by the horizontal vise is 200 mm.

When installing the horizontal vise on the right side of the base, also use the sub-fence R to secure the workpiece more firmly. Refer to the "Sub-fence R" section described on previously for installing the sub-fence R.

CAUTION:

- Always rotate the vice nut to the right fully when securing the workpiece. Failure to do so may result in insufficient securing of the workpiece. This could cause the workpiece to be thrown, cause damage to the blade or cause the loss of control, which can result in PERSONAL INJURY.

Holders (Fig. 40)

The holders can be installed on either side as a convenient means of holding workpieces horizontally. Slip the holder rods into the holes in the base and adjust their length according to the workpiece to be held. Then tighten the holders securely with the screws.

CAUTION:

- Always support long workpieces level with the top surface of the turn base for accurate cuts and to prevent dangerous loss of control of the tool.

OPERATION

CAUTION:

- Before use, be sure to release the handle from the lowered position by pulling the stopper pin.
- Make sure the blade is not contacting the workpiece, etc. before the switch is turned on.
- Do not apply excessive pressure on the handle when cutting. Too much force may result in overload of the motor and/or decreased cutting efficiency. Push down handle with only as much force as is necessary for smooth cutting and without significant decrease in blade speed.

- Gently press down the handle to perform the cut. If the handle is pressed down with force or if lateral force is applied, the blade will vibrate and leave a mark (saw mark) in the workpiece and the precision of the cut will be impaired.
- During a slide cut, gently push the carriage toward the guide fence without stopping. If the carriage movement is stopped during the cut, a mark will be left in the workpiece and the precision of the cut will be impaired.

1. Press cutting (cutting small workpieces) (Fig. 41)

Workpieces up to 91 mm high and 70 mm wide can be cut in the following way.

Push the carriage toward the guide fence fully and tighten the knob clockwise to secure the carriage. Secure the workpiece with the vise. Switch on the tool without the blade making any contact and wait until the blade attains full speed before lowering. Then gently lower the handle to the fully lowered position to cut the workpiece. When the cut is completed, switch off the tool and **WAIT UNTIL THE BLADE HAS COME TO A COMPLETE STOP** before returning the blade to its fully elevated position.

CAUTION:

- Firmly tighten the knob clockwise so that the carriage will not move during operation. Insufficient tightening may cause unexpected kickback of the blade. Possible serious PERSONAL INJURY may result.

2. Slide (push) cutting (cutting wide workpieces) (Fig. 42)

Loosen the knob counterclockwise so that the carriage can slide freely. Secure the workpiece with the vise. Pull the carriage toward you fully. Switch on the tool without the blade making any contact and wait until the blade attains full speed. Press down the handle and **PUSH THE CARRIAGE TOWARD THE GUIDE FENCE AND THROUGH THE WORKPIECE**. When the cut is completed, switch off the tool and **WAIT UNTIL THE BLADE HAS COME TO A COMPLETE STOP** before returning the blade to its fully elevated position.

CAUTION:

- Whenever performing the slide cut, **FIRST PULL THE CARRIAGE TOWARD YOU FULLY** and press down the handle to the fully lowered position, then **PUSH THE CARRIAGE TOWARD THE GUIDE FENCE. NEVER START THE CUT WITH THE CARRIAGE NOT FULLY PULLED TOWARD YOU**. If you perform the slide cut without pulling the carriage fully or if you perform the slide cut toward your direction, the blade may kickback unexpectedly with the potential to cause serious PERSONAL INJURY.
- Never perform the slide cut with the handle locked in the lowered position by pressing the stopper pin.
- Never loosen the knob which secures the carriage while the blade is rotating. This may cause serious injury.

3. Miter cutting

Refer to the previously covered "Adjusting the miter angle".

4. Bevel cut (Fig. 43)

Loosen the lever and tilt the saw blade to set the bevel angle (Refer to the previously covered “Adjusting the bevel angle”). Be sure to retighten the lever firmly to secure the selected bevel angle safely. Secure the workpiece with a vise. Make sure the carriage is pulled all the way back toward the operator. Switch on the tool without the blade making any contact and wait until the blade attains full speed. Then gently lower the handle to the fully lowered position while applying pressure in parallel with the blade and **PUSH THE CARRIAGE TOWARD THE GUIDE FENCE TO CUT THE WORKPIECE**. When the cut is completed, switch off the tool and **WAIT UNTIL THE BLADE HAS COME TO A COMPLETE STOP** before returning the blade to its fully elevated position.

CAUTION:

- Always be sure that the blade will move down to bevel direction during a bevel cut. Keep hands out of path of saw blade.
- During a bevel cut, it may create a condition whereby the piece cut off will come to rest against the side of the blade. If the blade is raised while the blade is still rotating, this piece may be caught by the blade, causing fragments to be scattered which is dangerous. The blade should be raised **ONLY** after the blade has come to a complete stop.
- When pressing down the handle, apply pressure in parallel with the blade. If a force is applied perpendicularly to the turn base or if the pressure direction is changed during a cut, the precision of the cut will be impaired.
- Always set the sub-fence to the left position when performing left bevel cuts.

5. Compound cutting

Compound cutting is the process in which a bevel angle is made at the same time in which a miter angle is being cut on a workpiece. Compound cutting can be performed at angle shown in the table.

Miter angle	Bevel angle
Left 0° – 47°, Right 0° – 45°	Left and Right 0° – 45°
Right 52°	Left 0° – 40° and Right 0° – 45°

At the miter angle of left 45° and bevel angle of left 45°, workpieces up to 50 mm high and 200 mm wide can be cut.

At the miter angle of right 45° and bevel angle of left 45°, workpieces up to 50 mm high and 215 mm wide can be cut.

At the miter angle of left and right 45° and bevel angle of right 45°, workpieces up to 31 mm high and 215 mm wide can be cut.

When performing compound cutting, refer to “Press cutting”, “Slide cutting”, “Miter cutting” and “Bevel cut” explanations.

6. Cutting aluminum extrusion

When securing aluminum extrusions, use spacer blocks or pieces of scrap as shown in **Fig. 44** to prevent deformation of the aluminum. Use a cutting lubricant when cutting the aluminum extrusion to prevent build-up of the aluminum material on the blade.

CAUTION:

- Never attempt to cut thick or round aluminum extrusions. Thick aluminum extrusions may come loose during operation and round aluminum extrusions cannot be secured firmly with this tool. (**Fig. 45**)

7. Groove cutting (Fig. 46)

A dado type cut can be made by proceeding as follows: Adjust the lower limit position of the blade using the adjusting screw and the stopper arm to limit the cutting depth of the blade. Refer to “Stopper arm” section described previously.

After adjusting the lower limit position of the blade, cut parallel grooves across the width of the workpiece using a slide (push) cut as shown in the figure. Then remove the workpiece material between the grooves with a chisel. Do not attempt to perform this type of cut using wide (thick) blades or with a dado blade. Possible loss of control and injury may result.

CAUTION:

- Be sure to return the stopper arm to the original position when performing other than groove cutting.

Carrying tool

Make sure that the tool is unplugged. Secure the blade at 0° bevel angle and the turn base at right miter angle fully. Secure the slide poles after pulling the carriage toward you fully. Lower the handle fully and lock it in the lowered position by pushing in the stopper pin. (**Fig. 47**)

Carry the tool by holding both sides of the tool base as shown in the figure. If you remove the holders, dust bag, etc., you can carry the tool more easily. (**Fig. 48**)

CAUTION:

- Always secure all moving portions before carrying the tool.
- Stopper pin is for carrying and storage purposes only and not for any cutting operations.

MAINTENANCE

CAUTION:

- Always be sure that the tool is switched off and unplugged before attempting to perform inspection or maintenance.

WARNING:

- Always be sure that the blade is sharp and clean for the best and safest performance.

Adjusting the cutting angle

This tool is carefully adjusted and aligned at the factory, but rough handling may have affected the alignment. If your tool is not aligned properly, perform the following:

1. Miter angle

Push the carriage toward the guide fence and tighten the knob to secure the carriage.

Loosen the grip which secures the turn base. Turn the turn base so that the pointer points to 0° on the miter scale. Then turn the turn base slightly clockwise and counterclockwise to seat the turn base in the 0° miter notch. (Leave as it is if the pointer does not point to 0°.) Loosen the hex bolts securing the guide fence using the socket wrench. (**Fig. 49**)

Lower the handle fully and lock it in the lowered position by pushing in the stopper pin. Square the side of the blade with the face of the guide fence using a triangular rule, try-square, etc. Then securely tighten the hex bolts on the guide fence in the order from the right side.

(Fig. 50)

Make sure that the pointer points to 0° on the miter scale. If the pointer does not point to 0°, loosen the screw which secures the pointer and adjust the pointer so that it will point to 0°. **(Fig. 51)**

2. Bevel angle

1) 0° bevel angle

Push the carriage toward the guide fence and tighten the knob to secure the carriage. Lower the handle fully and lock it in the lowered position by pushing in the stopper pin. Loosen the lever at the rear of the tool. Make sure that the arm is locked.

(Fig. 52)

Turn the hex bolt on the left side of the arm two or three revolutions counterclockwise. Turn the hex bolt on the right side of the arm two or three revolutions counterclockwise to tilt the blade to the left. **(Fig. 53)** Carefully square the side of the blade with the top surface of the turn base using the triangular rule, try-square, etc. by turning the hex bolt on the right side of the arm clockwise. Turn the hex bolt on the left side of the arm clockwise as far as it will go. Then tighten the lever securely. **(Fig. 54)**

Make sure that the two pointers on the arm point to each 0° on the bevel scale on the arm holder. If they do not point to 0°, loosen the screws which secure the pointers and adjust them so that they will point to 0°. **(Fig. 55)**

2) 45° bevel angle **(Fig. 56)**

Adjust the 45° bevel angle only after performing 0° bevel angle adjustment. To adjust left 45° bevel angle, loosen the lever and tilt the blade to the left fully. Make sure that the pointer on the arm points to 45° on the bevel scale on the arm holder. If the pointer does not point to 45°, turn the left 45° bevel angle adjusting bolt on the side of the arm holder until the pointer points to 45°.

To adjust right 45° bevel angle, perform the same procedure described above.

Adjusting for smooth beveling action (Fig. 57)

The hex lock nut holding together the arm and arm holder has been factory adjusted to assure smooth beveling action and to guarantee precise cutting. Do not tamper with it. Should looseness develop at the arm and arm holder connection, tighten the hex lock nut using a wrench.

Adjusting the position of laser line (Fig. 58 & 59)

For model LS1013L, LS1013FL only

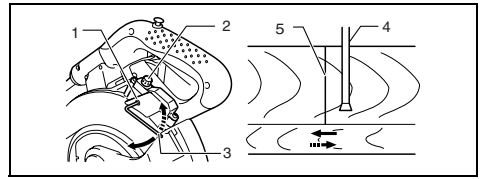
WARNING:

- As the tool is plugged when adjusting the position of laser line, take a full caution especially at switch action. Pulling the switch trigger accidentally cause an accidental start of the tool and personal injury.

CAUTION:

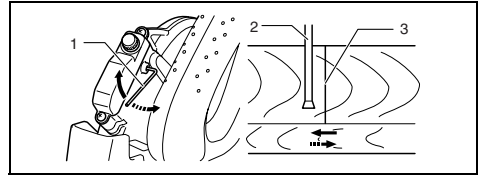
- Never look into the laser beam directly. Direct laser beam causes damage to your eyes.
- Never apply a blow or impact to the tool. A blow or impact causes the incorrect position of laser line, damage to the laser beam emitting part or a short life of the tool.

When adjusting the laser line appears on the left side of the saw blade



- 1 Screw to change the movable range of the adjusting screw
- 2 Adjusting screw
- 3 Hex wrench
- 4 Laser line
- 5 Saw blade

When adjusting the laser line appears on the right side of the saw blade



- 1 Screw to change the movable range of the adjusting screw
- 2 Saw blade
- 3 Laser line

For both adjustments, do as follows.

1. Make sure that the tool is unplugged.
2. Draw the cutting line on the workpiece and place it on the turn table. At this time, do not secure the workpiece with a vise or similar securing device.
3. Lower the blade by lowering the handle and just check to see where the cutting line and the position of the saw blade is. (Decide which position to cut on the line of cut.)
4. After decision the position to be cut, return the handle to the original position. Secure the workpiece from the pre-checked position.
5. Plug the tool and turn on the laser switch.
6. Adjust the position of laser line as follows.

The position of laser line can be changed as the movable range of the adjusting screw for the laser is changed by turning two screws with a hex wrench. (The movable range of laser line is factory adjusted within 1 mm from the side surface of blade.)

To shift the laser line movable range further away from the side surface of blade, turn the two screws counterclockwise after loosening the adjusting screw. Turn these two screws clockwise to shift it closer to the side surface of the blade after loosening the adjusting screw.

Refer to the section titled "Laser beam action" and adjust the adjusting screw so that the cutting line on your workpiece is aligned with the laser line.

NOTE:

- Check the position of laser line regularly for accuracy.
- Have the tool repaired by Makita authorized service center for any failure on the laser unit.

Cleaning of the lens for the laser light (Fig. 60 & 61)

For model LS1013L, LS1013FL only

If the lens for the laser light becomes dirty, or sawdust adheres to it in such a way that the laser line is no longer easily visible, unplug the saw and remove and clean the lens for the laser light carefully with a damp, soft cloth. Do not use solvents or any petroleum-based cleaners on the lens.

To remove the lens for the laser light, remove the saw blade before removing the lens according to the instructions in the section titled "Installing or removing saw blade".

Loosen but do not remove the screw which secures the lens using a screwdriver.

Pull out the lens as shown in the figure.

NOTE:

- If the lens does not come out, loosen the screw further and pull out the lens again without removing the screw.

Replacing fluorescent tube (Fig. 62)

For LS1013F, LS1013FL only

CAUTION:

- Always be sure that the tool is switched off and unplugged before replacing the fluorescent tube.
- Do not apply force, impact or scratch to a fluorescent tube, which can cause a glass of the fluorescent tube to be broken resulting in an injury to you or your bystanders.
- Leave the fluorescent tube for a while immediately after a use of it and then replace it. If not, you may burn yourself.

Remove screws, which secure Lamp box for the light.

Pull out the Lamp box keeping pushing lightly the upper position of it as illustrated on **Fig. 62**.

Pull out the fluorescent tube and then replace it with Makita original new one.

Replacing carbon brushes (Fig. 63 & 64)

Remove and check the carbon brushes regularly. Replace when they wear down to the limit mark. Keep the carbon brushes clean and free to slip in the holders. Both carbon brushes should be replaced at the same time. Use only identical carbon brushes.

Use a screwdriver to remove the brush holder caps. Take out the worn carbon brushes, insert the new ones and secure the brush holder caps.

After use

- After use, wipe off chips and dust adhering to the tool with a cloth or the like. Keep the blade guard clean according to the directions in the previously covered section titled "Blade guard". Lubricate the sliding portions with machine oil to prevent rust.
- When storing the tool, pull the carriage toward you fully so that the slide pole is thoroughly inserted into the turn base.

To maintain product SAFETY and RELIABILITY, repairs, any other maintenance or adjustment should be performed by Makita Authorized Service Centers, always using Makita replacement parts.

ACCESSORIES

CAUTION:

- These accessories or attachments are recommended for use with your Makita tool specified in this manual. The use of any other accessories or attachments might present a risk of injury to persons. Only use accessory or attachment for its stated purpose.

If you need any assistance for more details regarding these accessories, ask your local Makita service center.

- Steel & Carbide-tipped saw blades
- Dust bag
- Sub-fence R
- Elbow
- Vise assembly (Horizontal vise)
- Triangular rule
- Vertical vise
- Lock-off button (2 pcs.)
- Socket wrench 13
- Kerf block
- Holder
- Fluorescent tube (For LS1013F, LS1013FL)
- Hex wrench (For LS1013L, LS1013FL)

Descriptif

1 Broche d'arrêt	34 Flèche	66 Vis
2 Boulon	35 Blocage de l'arbre	67 Secteur
3 Protecteur de lame	36 Flasque intérieur	68 Index
4 Bouton	37 Axe	69 Echelle
5 Plateau de découpe	38 Bague	70 Index
6 Lame de scie	39 Flasque extérieur	71 Support des coulisses
7 Dents de lame	40 Boulon hexagonal (filetage à gauche)	72 Boulon de réglage de l'angle de biseau de 45° à droite
8 Coupe en biseau à gauche	41 Raccord à poussières	73 Boulon de réglage de l'angle de biseau de 45° à gauche
9 Coupe droite	42 Sac à poussière	74 Contre-écrou hexagonal
10 Coupe en biseau à droite	43 Fermeture	75 Bloc de découpe
11 Boulon de réglage	44 Cale	76 Pièce à travailler
12 Plateau tournant	45 Plateau tournant	77 Ligne de coupe
13 Face supérieure du plateau tournant	46 Butée pare-éclats rotative	78 Étau vertical
14 Périphérie de la lame	47 Pare-éclats rotative de droite	79 Tournevis
15 Guide	48 Vis	80 Vis (une pièce seulement)
16 Vis de réglage	49 Bras de l'étau	81 Lentille du laser
17 Bras de blocage	50 Tige de l'étau	82 Repère d'usure
18 Levier de verrouillage	51 Vis	83 Bouchon de porte-charbon
19 Poignée	52 Poignée de l'étau	84 Lampe
20 Index	53 Guide	85 Commutateur de lampe
21 Secteur	54 Plaque d'étau	86 Tirer
22 Levier	55 Ecrou de l'étau	87 Pousser
23 Bras	56 Servante	88 Boîtier de la lampe
24 Echelle	57 Bague	89 Vis
25 Bouton de déverrouillage	58 Étau	90 Tube fluorescent
26 Gâchette	59 Cale d'écartement	91 Boîte à poussières
27 Poignée	60 Profilé d'aluminium	92 Couvercle
28 Interrupteur de la lampe	61 Martyr	93 Bouton
29 Clé à douille	62 Étau horizontal (accessoire en option)	94 Partie cylindrique
30 Support à clé	63 Coupe de rainures avec la lame	95 Sciure de bois
31 Capot central	64 Boulon hexagonal	
32 Boulon hexagonal	65 Règle triangulaire	
33 Carter de lame		

SPECIFICATIONS

Modèle	LS1013/LS1013F/LS1013L/LS1013FL
Diamètre de la lame	250 – 260 mm
Diamètre de l'orifice	25,4 mm et 25 mm
Pour tous les pays à l'exception de l'Europe	25,4 mm et 25 mm
Pour l'Europe	30 mm
Capacités max. de coupe (H x l) avec lame de 260 mm de diamètre	

Coupe d'onglet	Coupe en biseau		
	45° (gauche)	0°	45° (droite)
0°	50 mm x 310 mm	91 mm x 310 mm	31 mm x 310 mm
45° (gauche et droite)	(gauche) 50 mm x 200 mm (droite) 50 mm x 220 mm	91 mm x 220 mm	31 mm x 220 mm
52° (droite)	—	91 mm x 190 mm	—

Vitesse à vide (min ⁻¹)	3 700
Type de laser (LS1013L/LS1013FL uniquement)	Laser rouge 650 nm, <1mW (Laser de classe 2)
Dimensions (L x l x H)	
LS1013/LS1013F	715 mm x 520 mm x 625 mm
LS1013L/LS1013FL	715 mm x 520 mm x 640 mm
Poids net	
LS1013/LS1013F	21 kg
LS1013L/LS1013FL	22 kg
Niveau de sécurité	II

- Etant donné l'évolution constante de notre programme de recherche et de développement, les spécifications contenues dans ce manuel sont sujettes à modification sans préavis.
- Note : Les spécifications peuvent varier suivant les pays.

Utilisations

L'outil est conçu pour effectuer des coupes de bois rectilignes et des coupes d'onglet, avec précision. Avec des lames appropriées, il permet également de couper l'aluminium.

Alimentation

L'outil ne devra être raccordé qu'à une alimentation de la même tension que celle qui figure sur la plaque signalétique, et il ne pourra fonctionner que sur un courant secteur monophasé. Réalisé avec une double isolation, il est conforme à la réglementation européenne et peut de ce fait être alimenté sans mise à la terre.

Consignes de sécurité

Pour votre propre sécurité, reportez-vous aux consignes de sécurité qui accompagnent l'outil.

PRECAUTIONS SUPPLEMENTAIRES POUR L'OUTIL

- Portez une protection oculaire.**
- Gardez bien les mains à l'écart de la lame.** Évitez tout contact avec une lame "en roue libre". Vous pourriez vous blesser gravement.
- N'utilisez jamais la scie sans les protections en place.**
Vérifiez le bon fonctionnement du protecteur de lame avant chaque utilisation. N'utilisez pas la scie si le protecteur de lame ne se déplace pas librement et ne recouvre pas la lame instantanément. N'immobilisez jamais le protecteur de lame en position ouverte.
- Ne sciez jamais à la volée.** Le matériau doit être assuré fermement contre le plateau tournant et le guide au moyen de l'étau durant tous les types de sciage. Ne maintenez jamais la pièce avec la main.
- Gardez bien les mains à l'écart de la lame.**
- Coupez le contact et attendez l'arrêt de la lame avant de déplacer la pièce ou de modifier les réglages.**
- Débranchez l'outil avant de procéder à un changement de lame ou à une réparation.**
- Avant de transporter l'outil, immobilisez d'abord toutes ses pièces mobiles.**
- La broche d'arrêt qui verrouille en position basse la tête de fraisage sert à des fins de transport et de rangement uniquement et pas pour les opérations de coupe.**
- Ne vous servez pas de votre outil en présence de gaz ou de liquides inflammables.
- Avant de scier, vérifiez attentivement que la lame n'est ni endommagée, ni fendue. Si tel est le cas, changez-la immédiatement.
- N'utilisez que les flasques spécifiés pour cet outil.
- Prenez garde d'endommager l'alésage, les flasques (tout particulièrement leur surface d'installation) ou le boulon. L'endommagement de ces pièces peut causer une cassure de la lame.**
- Assurez-vous que le plateau tournant est bien immobilisé, afin qu'il ne risque pas de se déplacer pendant le sciage.

- Pour votre sécurité, retirez copeaux ou autres fragments de la surface du plateau avant la mise en route.
- Évitez les clous. Avant de travailler votre pièce, inspectez-la et retirez-en tous les clous.
- Assurez-vous que le blocage de l'arbre est relâché avant de mettre le contact.
- Assurez-vous que la lame ne touche pas le plateau tournant quand elle est abaissée au maximum.
- Tenez la poignée fermement. N'oubliez pas que la scie se déplace légèrement de haut en bas au démarrage et à l'arrêt.
- Assurez-vous que la lame ne touche pas la pièce à scier avant de mettre le contact.
- Avant de scier la pièce, faites tourner l'outil un instant à vide. Vérifiez que la lame ne présente ni balourd ni shimmy qui pourraient résulter d'un montage incorrect ou d'une usure irrégulière.
- Avant de scier, attendez que la lame ait atteint sa pleine vitesse.
- Arrêtez immédiatement le sciage si vous remarquez quoi que ce soit d'anormal.
- Ne tentez pas de maintenir la gâchette en position ON.
- Restez vigilant, surtout durant les sciages répétés et monotones. Ne vous laissez jamais prendre par un sentiment trompeur de sécurité. Les lames de scie ne pardonnent pas.
- N'utilisez que les accessoires recommandés dans ce manuel. L'utilisation d'accessoires différents, disques à tronçonner notamment, peut entraîner une blessure.
- N'utilisez pas la scie pour couper autre chose que de l'aluminium, du bois ou des matériaux similaires.**
- Raccordez les scies à coupe d'onglet à un dispositif de ramassage de la poussière quand vous effectuez un sciage.**
- Sélectionnez les lames en fonction du matériau à couper.**
- Faites attention lorsque vous taillez des encoches.**
- Remplacez le plateau de découpe quand il est usé.**
- Ne pas utiliser de lames fabriquées en acier à coupe rapide.**
- Les poussières dégagées lors de l'utilisation de l'outil peuvent contenir certains produits chimiques reconnus comme pouvant causer le cancer, des anomalies congénitales ou autres problèmes de reproduction. Parmi ces produits chimiques figurent notamment :
 - le plomb que contient les matériaux recouverts de peinture à base de plomb ;
 - l'arsenic et le chrome que contient le bois de construction traité chimiquement.
 Les risques encourus varient suivant la fréquence d'exposition qu'implique votre travail. Pour réduire votre degré d'exposition à ces produits chimiques : travaillez dans une aire de travail bien aérée et en utilisant des dispositifs de sécurité approuvés, tels que des masques à poussière spécialement conçus pour filtrer les particules microscopiques.
- Pour réduire le bruit émis par la lame, assurez-vous toujours qu'elle est bien affûtée et propre.**

35. **L'utilisateur doit avoir reçu une formation adéquate concernant l'utilisation, le réglage et le fonctionnement de l'outil.**
36. **Utilisez des lames bien affûtées. Respectez la vitesse maximale indiquée sur la lame.**
37. **Évitez de retirer de la zone de coupe les coupures et autres bouts détachés de la pièce à couper pendant que l'outil tourne encore et que la tête de la lame n'est pas en position de repos.**

CONSERVEZ CES INSTRUCTIONS

INSTALLATION

Montage du banc

À sa sortie d'usine, la poignée de cet outil est verrouillée en position abaissée par la broche d'arrêt. Pour dégager la broche d'arrêt, abaissez légèrement la poignée et tirez sur la broche. (Fig. 1)

Boulonnez l'outil à l'aide de quatre boulons sur une surface stable et de niveau en utilisant les orifices de boulon prévus sur le socle de l'outil. Ceci pour empêcher tout risque de renversement et de blessure. (Fig. 2)

DESCRIPTION DU FONCTIONNEMENT

ATTENTION :

- Vérifiez que l'outil est hors tension et débranché avant de l'ajuster ou de vérifier son fonctionnement.

Protecteur de lame (Fig. 3 et 4)

Le protecteur de lame s'élève automatiquement lorsque vous abaissez la poignée. Le protecteur revient à sa position d'origine une fois la coupe terminée et la poignée relevé. **NE JAMAIS MODIFIER OU RETIRER LE PROTECTEUR DE LAME OU SON RESSORT.**

Pour votre propre sécurité, maintenez toujours le protecteur de lame en bonne condition. Tout fonctionnement irrégulier du protecteur de lame doit être corrigé immédiatement. Vérifiez que le mécanisme de rappel du protecteur fonctionne correctement. **NE JAMAIS UTILISER L'OUTIL SI LE PROTECTEUR DE LAME OU LE RESSORT EST ENDOMMAGÉ, DEFECTUEUX OU RETIRÉ. CELA EST EXTREMEMENT DANGEREUX ET PEUT CAUSER UNE GRAVE BLESSURE.**

Si le protecteur de lame transparent devient sale ou si la sciure de bois y adhère au point que la lame et/ou la pièce ne soit plus bien visible, débranchez la scie et nettoyez soigneusement le protecteur avec un chiffon humide. N'utilisez pas de solvants ni de détergents à base d'essence sur le protecteur en plastique.

Lorsque le protecteur de lame est très sale et qu'il n'est plus possible de voir à travers, utilisez la clé à douille fournie pour desserrer le boulon hexagonal qui retient le capot central.

Desserrez le boulon hexagonal en le faisant tourner vers la gauche, puis soulevez le protecteur de lame et le capot central. Le nettoyage du protecteur de lame peut être effectué de manière plus complète et efficace lorsqu'il se trouve dans cette position. Une fois le nettoyage terminé, effectuez la procédure ci-dessus en sens inverse et fixez le boulon. Ne retirez pas le ressort du protecteur de lame. Si le protecteur se décolore avec le temps ou sous l'effet des rayons ultraviolets, contactez un Centre d'Entretien Makita pour vous procurer un nouveau protecteur. **NE PAS MODIFIER OU RETIRER LE PROTECTEUR.**

Positionnement du plateau de découpe (Fig. 5 et 6)

Le socle rotatif de cet outil est équipé de plateaux de découpe pour minimiser la déchirure du côté de sortie de la coupe. Les plateaux de découpe sont réglés en usine de sorte qu'ils n'entrent pas en contact avec la lame. Avant l'utilisation, ajustez les plateaux de découpe comme suit :

Débranchez d'abord l'outil. Desserrez toutes les vis qui retiennent les plateaux de découpe (2 à droite et 2 à gauche). Ne les resserrez que partiellement, de sorte qu'il soit facile de déplacer manuellement les plateaux de découpe. Abaissez complètement la poignée et enfoncez la broche d'arrêt pour verrouiller la poignée en position abaissée. Desserrez le bouton qui retient les tiges de glissement. Tirez complètement le chariot vers vous. Ajustez les plateaux de découpe de sorte qu'ils touchent très légèrement les côtés des dents de la lame. Serrez légèrement les vis à l'avant. Poussez complètement le chariot vers le guide et ajustez les plateaux de découpe de sorte qu'ils touchent très légèrement les côtés des dents de la lame. Serrez légèrement les vis à l'arrière. Après avoir ajusté les plateaux de découpe, dégagez la broche d'arrêt et levez la poignée. Serrez ensuite toutes les vis fermement.

ATTENTION :

- Avant et après la modification de l'angle de coupe en biseau, ajustez toujours les plateaux de découpe en procédant comme indiqué ci-dessus.

Maintien de la capacité de coupe maximale (Fig. 7 et 8)

Débranchez l'outil avant toute opération de réglage. L'outil a été réglé en usine de façon à fournir son rendement optimum avec une lame de 255 mm.

Lorsque vous installez une nouvelle lame, vérifiez toujours la position limite inférieure de la lame, et réglez-la comme suit si nécessaire :

Débranchez d'abord l'outil. Repoussez le chariot à fond vers la butée et abaissez complètement la poignée. Utilisez la clé à douille pour tourner le boulon de réglage jusqu'à ce que la périphérie de la lame se trouve légèrement sous la face supérieure du plateau tournant, au point de rencontre entre la face avant du guide et la face supérieure du plateau tournant.

Débranchez l'outil et faites tourner la lame manuellement en maintenant la poignée en position complètement abaissée, afin d'être certain que la lame n'entre en contact avec aucune partie du plateau inférieur. Réajustez légèrement au besoin.

ATTENTION :

- Après avoir installé une nouvelle lame, assurez-vous toujours qu'elle ne touche aucune partie du plateau inférieur lorsque la poignée est complètement abaissée. Débranchez toujours l'outil avant d'effectuer cette opération.

Bras de blocage (Fig. 9)

Le bras de blocage permet un réglage facile de la position limite inférieure de la lame. Pour l'ajuster, tournez le bras de butée dans le sens de la flèche, tel qu'indiqué sur la figure. Ajustez la vis de réglage de sorte que la lame s'arrête à la position désirée lorsque la poignée est complètement abaissée.

Réglage de l'angle de coupe d'onglet (Fig. 10)

Relâchez la poignée en la tournant vers la gauche. Faites tourner le plateau tournant tout en abaissant le levier de verrouillage. Lorsque la poignée est arrivée au point où l'index indique la valeur angulaire voulue sur le secteur, serrez la poignée à fond en la tournant vers la droite.

ATTENTION :

- Lorsque vous tournez le plateau tournant, veillez à bien relever la poignée à fond.
- Après avoir modifié l'angle de coupe d'onglet, fixez toujours le plateau tournant en serrant à fond la poignée.

Réglage de l'angle de coupe en biseau (Fig. 11 et 12)

Pour ajuster l'angle de coupe en biseau, desserrez le levier à l'arrière de l'outil en la tournant vers la gauche. Déverrouillez le bras en poussant la poignée plutôt fermement dans le sens où vous désirez incliner la lame. Inclinez la lame jusqu'à ce que l'index indique l'angle désiré sur l'échelle. Resserrez ensuite le levier à fond en la tournant vers la droite pour fixer le bras.

ATTENTION :

- Quand vous inclinez la lame, veillez bien à relever la poignée au maximum.
- Après avoir modifié l'angle de coupe en biseau, fixez toujours le bras en tournant le levier vers la droite pour le serrer.
- Lorsque vous modifiez l'angle de coupe en biseau, assurez-vous toujours de bien placer les plateaux de découpe, tel que décrit dans la section "Positionnement des plateaux de découpe".

Interrupteur

ATTENTION :

- Avant de brancher l'outil, assurez-vous toujours que la gâchette fonctionne correctement et qu'elle revient en position "OFF" une fois relâchée.
- Quand vous ne vous servez pas de l'outil, retirez la clé de sécurité et rangez-la en lieu sûr. Cela évitera l'utilisation de l'outil sans autorisation.
- Évitez de tirer sur la gâchette avec force lorsque le bouton de sécurité n'est pas enfoncé. Vous risqueriez de briser la gâchette.

Pour l'Europe (Fig. 13)

Pour éviter tout déclenchement accidentel de la gâchette, l'outil est muni d'un bouton de déverrouillage. Pour démarrer l'outil, déplacez le levier sur la gauche, appuyez sur le bouton de déverrouillage et tirez sur la gâchette. Pour arrêter l'outil, relâchez la gâchette.

Pour tous les pays à l'exception de l'Europe (Fig. 14)

Pour éviter tout déclenchement accidentel de la gâchette, l'outil est muni d'un bouton de déverrouillage. Pour faire démarrer l'outil, appuyez sur le bouton de déverrouillage puis tirez sur la gâchette.

AVERTISSEMENT :

- NE JAMAIS utiliser un outil dont le fonctionnement de la gâchette est défectueux. Tout outil dont la gâchette est défectueux est **EXTRÊMEMENT DANGEREUX** et doit être réparé avant d'être à nouveau utilisé.

- Pour assurer votre sécurité, cet outil est équipé d'un bouton de déverrouillage qui empêche de faire démarrer l'outil par inadvertance. NE JAMAIS utiliser l'outil s'il se met en marche lorsque vous tirez simplement sur la gâchette sans avoir appuyé sur le bouton de déverrouillage. Retournez alors l'outil à un Centre d'Entretien Makita pour le faire réparer AVANT de poursuivre l'utilisation.
- Il ne faut JAMAIS bloquer le bouton de déverrouillage avec du ruban adhésif ni la modifier.

Allumage de la lampe (Fig. 15 et 16)

Pour le modèle LS1013F, LS1013FL uniquement

ATTENTION :

- Cette lampe n'est pas étanche à la pluie. Ne nettoyez pas la lampe avec de l'eau et évitez de l'utiliser sous la pluie ou dans un endroit humide. Cela risquerait de causer un choc électrique entraînant des émanations de fumée.
- Ne touchez pas la lentille de la lampe alors que cette dernière est allumée ou vient tout juste d'être éteinte et est encore très chaude. Il y a risque de brûlure.
- Évitez de heurter la lampe, afin de ne pas l'endommager ou raccourcir sa durée de service.
- Évitez de diriger directement le faisceau de lumière vers vos yeux. Il y a risque de blessure oculaire.
- Ne recouvrez pas la lampe avec un chiffon, du carton, une boîte ou tout autre objet similaire pendant qu'elle est allumée, pour éviter tout risque d'incendie ou de feu.

Appuyez sur la position supérieure de l'interrupteur pour allumer la lampe et sur la position inférieure pour l'éteindre.

Déplacez la lampe pour éclairer une autre zone.

NOTE :

- Utilisez un chiffon sec pour essuyer les saletés qui recouvrent la lentille de la lampe. Prenez garde de rayer la lentille de la lampe, sinon sa capacité d'éclairage sera affectée.

Bloc de découpe

(accessoire en option) (Fig. 17 et 18)

ATTENTION :

- Lors de l'utilisation du bloc de découpe, effectuez toujours la coupe au même angle de coupe.
- Lorsque vous changez l'angle de coupe, utilisez un autre bloc de découpe.
- Lorsque vous effectuez des coupes en biseau, n'utilisez jamais le bloc de découpe. Sinon, le plateau se fendra et vous blesserez gravement.

Lorsque vous utilisez le bloc de découpe pour effectuer une coupe à 90°, vous pouvez faire une coupe sans éclats sur la pièce à travailler du côté de la butée (avec une hauteur maximale de 35 mm pour la pièce à travailler). Installez le bloc de découpe sur la butée au moyen des deux vis. (Ajustez la butée et le bloc de découpe pour que leurs faces entrent en contact. Puis serrez les vis à fond.)

Utilisation du faisceau laser

Pour le modèle LS1013L, LS1013FL uniquement

ATTENTION :

- Ne jamais regarder directement la source du faisceau laser. L'exposition directe au faisceau laser comporte un risque de blessure aux yeux.
- RAYONNEMENT LASER. NE PAS FIXER LE RAYON OU REGARDER DIRECTEMENT AVEC DES INSTRUMENTS OPTIQUES. PRODUIT LASER DE CATÉGORIE 2M.

Pour allumer le faisceau laser, appuyez sur la position supérieure (I) de l'interrupteur. Appuyez sur sa position inférieure (O) pour éteindre. (Fig. 19)

En ajustant la vis de réglage comme suit, vous pouvez déplacer la ligne laser du côté gauche ou droite de la lame. (Fig. 20)

1. Desserrez la vis de réglage en la tournant vers la gauche.
2. Une fois la vis de réglage desserrée, glissez-la complètement vers la droite ou la gauche.
3. Serrez fermement la vis de réglage sur la position où elle cesse de glisser.

La ligne laser est ajustée en usine pour se trouver à moins de 1 mm de la surface latérale de la lame (position de coupe).

NOTE :

- Si la ligne de coupe est trop pâle et presque imperceptible parce que vous travaillez dans un endroit exposé directement aux rayons du soleil ou près d'une fenêtre intérieure ou extérieure, changez de zone de travail pour ne plus être exposé directement aux rayons du soleil.

Alignement de la ligne laser (Fig. 21)

Suivant le type de coupe à effectuer, vous pouvez déplacer la ligne laser d'un côté ou de l'autre de la lame. Reportez-vous à la section intitulée "Utilisation du faisceau laser" concernant la façon de le déplacer.

NOTE :

- Placez un parement de bois contre le guide lorsque vous alignez la ligne de coupe sur la ligne laser à côté du guide pour effectuer une coupe mixte (coupe en biseau de 45 degrés et coupe d'onglet de 45 degrés sur la droite).
- A) Pour obtenir la taille désirée du côté gauche de la pièce à travailler
 - Placez la ligne laser du côté gauche de la lame.
 - B) Pour obtenir la taille désirée du côté droit de la pièce à travailler
 - Placez la ligne laser du côté droit de la lame.

Alignez votre ligne de coupe avec la ligne laser sur la pièce à travailler.

ASSEMBLAGE

ATTENTION :

- Avant toute intervention, assurez-vous que le contact est coupé et l'outil débranché.

Rangement de la clé à douille (Fig. 22)

Le rangement de la clé à douille s'effectue de la façon indiquée sur la figure. Pour utiliser la clé à douille, retirez-la du support à clé. Après avoir utilisé la clé à douille, remettez-la dans le support à clé.

Pose et dépose de la lame

ATTENTION :

- Assurez-vous toujours que le contact est coupé et l'outil débranché avant de procéder à la pose ou dépose de la lame.
- Utilisez exclusivement la clé à douille Makita fournie pour effectuer la pose ou dépose de la lame. Sinon, le boulon hexagonal risque d'être trop ou pas assez serré. Cela comporte un risque de blessure.

Verrouillez la poignée en position élevée en y poussant la broche d'arrêt. (Fig. 23)

Pour retirer la lame, desserrez le boulon hexagonal de fixation du capot central à l'aide de la clé hexagonale en le tournant sur la gauche. Soulevez le protecteur de lame et le capot central. (Fig. 24)

Appuyez sur le blocage de l'arbre pour verrouiller l'axe et desserrez le boulon hexagonal à l'aide de la clé à douille en le tournant vers la droite. Puis, retirez le boulon hexagonal, le flasque extérieur et la lame. (Fig. 25)

Pour installer la lame, montez-la soigneusement sur l'axe en vous assurant que le sens indiqué par la flèche sur la surface de la lame correspond à celui de la flèche du carter de lame. Installez le flasque extérieur et le boulon hexagonal, puis, à l'aide de la clé à douille, serrez à fond le boulon hexagonal (filetage à gauche) en le tournant vers la gauche tout en appuyant sur le blocage de l'arbre. (Fig. 26)

Pour tous les pays à l'exception de l'Europe

ATTENTION :

- La bague noire et la bague argent, respectivement d'un diamètre extérieur de 25 mm et 25,4 mm, sont installées en usine de la façon indiquée sur la figure. Lorsque vous utilisez une lame dont l'orifice a un diamètre de 25 mm, remplacez la bague argent par la bague noire. Avant de monter la lame sur l'axe, assurez-vous toujours d'avoir installé entre les flasques intérieur et extérieur la bague qui convient à l'orifice central de la lame que vous désirez utiliser. (Fig. 27)

Pour l'Europe

ATTENTION :

- Une bague d'un diamètre externe de 30 mm est installée en usine entre les flasques intérieur et extérieur.

Installez le flasque extérieur et le boulon hexagonal, puis, à l'aide de la clé à douille, serrez à fond le boulon hexagonal en le tournant vers la gauche tout en appuyant sur le blocage de l'arbre.

Remettez le protecteur de lame et le capot central en position d'origine. Vissez ensuite le boulon hexagonal en le tournant vers la droite pour fixer le capot central. Tirez sur la broche d'arrêt pour dégager la poignée de la position élevée. Abaissez la poignée pour vous assurer que le protecteur de lame se déplace adéquatement. Avant de passer à la coupe, vérifiez que le blocage de l'arbre n'est pas engagé sur l'axe. (Fig. 28)

Sac à poussière (accessoire) (Fig. 29)

L'utilisation du sac à poussière garantit un travail propre et facilite le ramassage des poussières. Pour fixer le sac à poussière, insérez le raccord à poussières dans la buse d'éjection et placez le raccord d'entrée du sac sur la buse d'éjection.

Lorsque le sac à poussière est à moitié plein, retirez-le de l'outil et tirez sur la fermeture. Videz le sac en le tapant légèrement pour en détacher toutes les poussières qui sont restées collées sur la paroi intérieure et risquent d'entraver par la suite le ramassage des poussières.

NOTE :

Vous pourrez effectuer un travail plus efficace et plus propre si vous raccordez un aspirateur à votre scie.

Boîte à poussières (accessoire) (Fig. 30, 31 et 32)

Insérez la boîte à poussières dans le raccord à poussières.

Videz la boîte à poussières le plus tôt possible.

Pour vider la boîte à poussières, ouvrez le couvercle en appuyant sur le bouton et jetez la poussière. Remettez le couvercle en position initiale et il se verrouillera. La boîte à poussières se retire facilement en tirant dessus tout en la tournant près du raccord à poussières de l'outil.

NOTE :

- En raccordant un aspirateur Makita à cet outil, vous effectuerez vos travaux de manière plus efficace et plus propre.

ATTENTION :

- Videz la boîte à poussières avant que le niveau de la sciure de bois aspirée n'atteigne la partie cylindrique.

Serrage des pièces

AVERTISSEMENT :

- Il est extrêmement important de veiller à ce que les pièces à scier soient fermement et correctement immobilisées dans l'étau. Faute de cette précaution, vous risquez d'endommager votre scie et/ou la pièce. **VOUS RISQUEZ AUSSI DE VOUS BLESSER.** Après avoir terminé votre coupe, **NE RELEVEZ PAS LA LAME** tant qu'elle n'est pas arrivée à un arrêt complet.

ATTENTION :

- Lorsque vous coupez des pièces longues, soulagez les extrémités au moyen de cales ayant la même hauteur que le plateau tournant. Ne vous fiez pas uniquement à un étau vertical et/ou un étau horizontal pour immobiliser la pièce.

Les matériaux minces ont tendance à s'affaisser. Supportez la pièce sur toute sa longueur, pour éviter que la lame ne se coince et provoque un éventuel **CHOC EN RETOUR.** (Fig. 33)

Butée pare-éclats rotative

Cet outil est muni d'une butée pare-éclats rotative. Celle-ci doit être placée de la façon indiquée sur la **Fig. 34**. Toutefois, pour effectuer des coupes en biseau à gauche, orientez-la à gauche comme indiqué sur la **Fig. 35**.

ATTENTION :

- Lorsque vous effectuez des coupes en biseau sur la gauche, faites basculer le garde sur la position de gauche, tel qu'indiqué sur la **Fig. 35**. Sinon, il touchera la lame ou une partie de l'outil, risquant de blesser gravement l'utilisateur.

Butée pare-éclats rotative de droite (accessoire en option) (Fig. 36)

La servante gauche peut s'installer du côté droit du guide. Insérez les tiges de la butée pare-éclats rotative de droite dans les orifices du guide. Serrez les vis qui accompagnent la butée pare-éclats rotative de droite pour la fixer.

ATTENTION :

Lorsque vous effectuez des coupes en biseau sur la droite, n'utilisez jamais la butée pare-éclats rotative de droite. Elle entrerait en contact avec la lame ou une partie quelconque de l'outil et risquerait de blesser gravement l'utilisateur.

Étau vertical (Fig. 37)

L'étau vertical peut s'installer sur deux positions, soit à gauche soit à droite du guide ou du socle. Insérez la tige de l'étau dans l'orifice du guide et serrez la vis à l'arrière du guide pour immobiliser la tige de l'étau.

Placez le bras de l'étau en fonction de l'épaisseur et de la forme de la pièce à couper, et fixez le bras de l'étau en serrant la vis. Si la vis qui immobilise le bras de l'étau touche le guide, installez-la de l'autre côté de la poignée de l'étau. Assurez-vous qu'aucune partie de l'outil n'entre en contact avec l'étau lorsque vous abaissez complètement la poignée et tirez ou poussez le chariot jusqu'au bout. Si l'étau s'avère mal placé, revoyez son emplacement.

Appuyez la pièce à plat contre le guide et le plateau tournant. Placez la pièce à la position de coupe voulue et serrez à fond la poignée de l'étau.

ATTENTION :

- La pièce doit être assurée fermement contre le plateau tournant et le guide durant tous les types de sciage.

Étau horizontal (accessoire en option) (Fig. 38 et 39)

L'étau horizontal peut s'installer sur deux positions, soit à gauche soit à droite du socle. Pour effectuer des coupes d'onglet de 15° ou plus, installez l'étau horizontal sur le côté opposé au sens dans lequel le plateau tournant va se déplacer.

En faisant basculer l'étau vers la gauche, l'étau est relâché et peut être déplacé rapidement vers l'intérieur et l'extérieur. Pour serrer la pièce, poussez la poignée de l'étau vers l'avant jusqu'à ce que la plaque de l'étau entre en contact avec la pièce, puis faites basculer l'étau de l'étau vers la droite. Tournez ensuite la poignée de l'étau vers la gauche pour immobiliser la pièce. L'épaisseur maximale des pièces que permet d'assurer l'étau horizontal est de 200 mm.

Lorsque vous installez l'étau horizontal du côté droit du socle, utilisez également la butée pare-éclats rotative de droite pour immobiliser la pièce plus fermement. Pour installer la butée pare-éclats rotative de droite, référez-vous à la section "Butée pare-éclats rotative de droite" ci-dessus.

ATTENTION :

- Pour assurer la pièce, tournez toujours l'étau de l'étau complètement vers la droite. Faute de cette précaution, la pièce risque de ne pas être suffisamment serrée. Il peut en résulter la projection de la pièce, des dommages à la lame ou une perte de contrôle causant une **GRAVE BLESSURE.**

Servantes (Fig. 40)

Les servantes peuvent être installées d'un côté ou de l'autre et constituent un moyen pratique de supporter les pièces horizontalement. Introduisez les tiges de servante dans les orifices du socle puis ajustez leur longueur selon la pièce qui doit être maintenue. Serrez ensuite les servantes fermement avec les vis.

ATTENTION :

- Maintenez toujours les pièces de grande longueur parallèles à la surface supérieure du plateau tournant pour pouvoir effectuer des coupes précises et éviter toute perte de contrôle dangereuse de l'outil.

UTILISATION

ATTENTION :

- Avant d'utiliser l'outil, libérez bien la poignée de la position abaissée en tirant sur la broche d'arrêt.
- Avant de mettre le contact, assurez-vous que la lame ne touche pas la pièce, etc.
- Pendant la coupe, n'appuyez pas trop fort sur la poignée. Vous risqueriez une surcharge du moteur et/ou une diminution du régime. Abaissez la poignée en appliquant uniquement la force nécessaire pour obtenir une coupe en douceur sans diminuer de façon significative la vitesse de la lame.
- Appuyez doucement sur la poignée pour effectuer la coupe. Si vous appuyez trop fort ou appuyez latéralement, la lame vibrera et elle laissera une marque (marque de sciage) sur la pièce ; la précision de coupe sera également moindre.
- Pendant une coupe longitudinale, poussez doucement le chariot vers le guide sans vous arrêter. Si le mouvement du chariot est interrompu pendant la coupe, cela provoquera une marque sur la pièce, et la précision de coupe sera réduite.

1. Coupe verticale

(coupe de petites pièces) (Fig. 41)

Les pièces d'une hauteur et d'une largeur maximales de 91 mm et 70 mm respectivement seront coupées de la façon suivante.

Poussez le chariot complètement vers le guide, puis serrez le bouton dans le sens des aiguilles d'une montre pour fixer le chariot. Puis, fixez la pièce dans l'étau. Mettez l'outil en marche alors que la lame ne touche à rien et attendez qu'elle ait atteint sa pleine vitesse avant de l'abaisser. Abaissez ensuite doucement la poignée au maximum pour couper la pièce. Lorsque la coupe est terminée, arrêtez l'outil et ATTENDEZ QUE LA LAME SOIT ARRIVÉE A UN ARRÊT COMPLET avant de la laisser revenir en position haute.

ATTENTION :

- Serrez fermement le bouton dans le sens des aiguilles d'une montre pour que le chariot ne bouge pas pendant l'opération. Si vous ne serrez pas assez, il y a risque de choc en retour soudain. Il peut en résulter une grave BLESSURE.

2. Coupe en glissière (poussée) (coupe de grandes pièces) (Fig. 42)

Desserrez le bouton en tournant vers la gauche pour que le chariot puisse glisser librement. Fixez la pièce dans l'étau. Tirez complètement le chariot vers vous. Mettez l'outil en marche alors que la lame ne touche à rien et attendez qu'elle ait atteint sa pleine vitesse. Abaissez la poignée et PUSSEZ LE CHARIOT VERS LE GUIDE ET À TRAVERS LA PIÈCE. Lorsque la coupe est terminée, arrêtez l'outil et ATTENDEZ QUE LA LAME SE SOIT COMPLÈTEMENT ARRÊTÉE avant de ramener la lame en position complètement relevée.

ATTENTION :

- Chaque fois que vous effectuez une coupe en glissière, TIREZ D'ABORD LE CHARIOT COMPLÈTEMENT VERS VOUS et abaissez la poignée sur sa position la plus basse, puis PUSSEZ LE CHARIOT VERS LE GUIDE. NE COMMENCEZ JAMAIS LA COUPE ALORS QUE LE CHARIOT N'EST PAS COMPLÈTEMENT TIRÉ VERS VOUS. Si vous effectuez une coupe en glissière sans avoir tiré complètement le chariot ou si vous effectuez la coupe dans votre direction, il se peut que la lame effectue un soudain choc en retour, risquant ainsi de causer une grave BLESSURE.
- N'effectuez jamais une coupe en glissière alors que la poignée a été verrouillée en position abaissée en appuyant sur la broche d'arrêt.
- Ne desserrez jamais le bouton qui retient le chariot alors que la lame tourne. Cela peut entraîner une grave blessure.

3. Coupe d'onglet

Voyez la section précédente "Réglage de l'angle de coupe d'onglet".

4. Coupe en biseau (Fig. 43)

Desserrez le levier et inclinez la lame à l'angle de biseau réglé (voyez la section précédente "Réglage de l'angle de coupe en biseau"). Pensez à resserrer le levier à fond de façon à bien fixer l'angle de biseau sélectionné. Fixez la pièce dans l'étau. Assurez-vous que le chariot est complètement ramené vers vous. Mettez l'outil en marche alors que la lame ne touche à rien et attendez qu'elle ait atteint sa pleine vitesse. Abaissez ensuite doucement la poignée sur la position la plus basse tout en appliquant une pression parallèle à la lame et PUSSEZ LE CHARIOT VERS LE GUIDE POUR COUPER LA PIÈCE. Lorsque la coupe est terminée, arrêtez l'outil et ATTENDEZ QUE LA LAME SE SOIT COMPLÈTEMENT ARRÊTÉE avant de ramener la lame en position complètement relevée.

ATTENTION :

- Assurez-vous toujours que la lame descend dans le sens du biseau lors d'une coupe en biseau. Gardez bien les mains à l'écart de la lame.
- Lors d'une coupe en biseau, il arrive que le morceau coupé de la pièce porte contre le côté de la lame. Si vous soulevez la lame alors qu'elle tourne encore, ce morceau risque d'être happé par la lame et ses fragments s'éparpilleront, ce qui est dangereux. La lame doit être relevée UNIQUEMENT après être arrivée à un arrêt complet.
- A la descente, manœuvrez la poignée selon l'angle donné à la lame. Si vous appuyez perpendiculairement au socle rotatif, ou si la pression change de sens pendant la coupe, la précision de coupe en souffrira.

- Placez toujours la butée pare-éclats sur la position de gauche lorsque vous effectuez des coupes en biseau sur la gauche.

5. Coupe mixte

La coupe mixte consiste à appliquer un angle de biseau tout en effectuant une coupe d'onglet sur une pièce. La coupe mixte est possible à l'angle indiqué dans le tableau.

Angle d'onglet	Angle de biseau
0 – 47° à gauche, 0 – 45° à droite	0 – 45° à gauche et droite
52° à droite	0 – 40° à gauche et 0 – 45° à droite

Avec une coupe d'onglet de 45° à gauche et une coupe en biseau de 45° à gauche, il est possible de couper des pièces d'une hauteur et d'une largeur maximales de 50 mm et 200 mm respectivement.

Avec une coupe d'onglet de 45° à droite et une coupe en biseau de 45° à gauche, il est possible de couper des pièces d'une hauteur et d'une largeur maximales de 50 mm et 215 mm respectivement.

Avec un angle de coupe d'onglet de 45° sur la gauche ou la droite et un angle de coupe en biseau de 45° sur la droite, vous pouvez couper des pièces pouvant atteindre 31 mm de haut et 215 mm de large. Pour la coupe mixte, reportez vous aux consacrés à la "coupe verticale", la "coupe en glissière", la "coupe d'onglet" et la "coupe en biseau".

6. Coupe des profilés d'aluminium

Lorsque vous sciez des profilés d'aluminium, servez-vous de cales d'écartement ou de martyrs comme sur la Fig. 44 afin d'empêcher la déformation de l'aluminium. Utilisez aussi un lubrifiant de coupe lorsque vous sciez de l'aluminium afin d'empêcher l'accumulation de particules d'aluminium sur la lame.

ATTENTION :

- Ne tentez jamais de scier des profilés d'aluminium épais ou ronds. Les profilés d'aluminium épais risquent de se décaler durant l'opération, et les profilés d'aluminium ronds ne pourront pas être immobilisés de façon satisfaisante avec ce type d'étau. (Fig. 45)

7. Rainurage (Fig. 46)

Des rainures peuvent être effectuées en procédant comme suit : Ajustez la position limite inférieure de la lame au moyen de la vis de réglage et du bras de butée pour limiter la profondeur de coupe de la lame. Référez-vous à la section "Bras de blocage" ci-dessus.

Après avoir ajusté la position limite inférieure de la lame, coupez des rainures parallèles sur la largeur de la pièce, en procédant par coupe en glissière (poussée), tel qu'indiqué sur la figure. Retirez ensuite le matériau de la pièce entre les rainures, au moyen d'un ciseau. Ne tentez pas d'effectuer ce type de coupe au moyen d'une lame large (épaisse) ou d'une lame à rainer. Cela comporte un risque de perte de contrôle de l'outil et de blessure.

ATTENTION :

- Assurez-vous d'avoir remis le bras de butée en position initiale avant d'effectuer un autre type de coupe que le rainurage.

Transport de l'outil

Vérifiez que l'outil est débranché. Fixez la lame sur un angle de coupe en biseau de 0° et le plateau tournant sur l'angle de coupe d'onglet maximal vers la droite. Fixez les tiges de glissement après avoir tiré complètement le chariot vers vous. Abaissez complètement la poignée et verrouillez-la en position inférieure en enfonçant le broche d'arrêt. (Fig. 47)

Saisissez l'outil par les deux côtés du socle pour le transporter, comme indiqué sur la figure. L'outil sera plus facile à transporter si vous retirez les servantes, le sac à poussière, etc. (Fig. 48)

ATTENTION :

- Immobilisez toujours toutes les pièces mobiles de l'outil avant de le transporter.
- La broche d'arrêt sert à des fins de transport et de rangement uniquement et pas pour des opérations de coupe.

ENTRETIEN

ATTENTION :

- Assurez-vous toujours que le contact est coupé et l'outil débranché avant d'effectuer tout travail d'inspection ou d'entretien.

AVERTISSEMENT :

- Pour obtenir de l'outil une performance optimale et une sécurité maximale, assurez-vous toujours que la lame est affûtée et propre.

Réglage de l'angle de coupe

L'outil a été soigneusement réglé et aligné en usine, mais une manipulation maladroite a pu dérégler l'alignement. Si l'outil n'est pas aligné correctement, effectuez les opérations suivantes:

1. Angle d'onglet

Poussez le chariot vers le guide et serrez le bouton de façon à bloquer le chariot.

Desserrez le manche qui retient le socle rotatif. Faites pivoter le socle rotatif de sorte que l'index pointe vers 0° sur le secteur. Tournez ensuite le socle rotatif légèrement vers la droite et la gauche pour le caler dans l'entaille d'onglet de 0°. (Laissez-le tel quel si l'index n'indique pas 0°.) Avec la clé à douille, desserrez les boulons hexagonaux qui retiennent le guide. (Fig. 49)

Abaissez complètement la poignée et verrouillez-la en position inférieure en enfonçant la broche d'arrêt. Placez le côté de la lame à angle droit par rapport à la surface du guide à l'aide d'une règle triangulaire, d'une équerre de menuisier, etc. Vissez ensuite les boulons hexagonaux du guide à fond, dans l'ordre, en commençant du côté droit. (Fig. 50)

Assurez-vous que l'index indique 0° sur l'échelle de coupe d'onglet. Si l'index n'indique pas 0°, desserrez la vis qui retient l'index et réglez ce dernier de sorte qu'il indique 0°. (Fig. 51)

2. Angle de biseau

1) Angle de coupe en biseau 0°

Poussez le chariot vers le guide, puis serrez le bouton pour fixer le chariot. Abaissez complètement la poignée et verrouillez-la en position inférieure en enfonçant la broche d'arrêt. Desserrez le levier au dos de l'outil. Assurez-vous que le support n'est pas verrouillé. (Fig. 52)

Tournez le boulon hexagonal sur la gauche du support de deux ou trois tours vers la gauche. Tournez le boulon hexagonal sur la droite du support de deux ou trois tours vers la gauche de façon à incliner la lame à gauche. (Fig. 53)

Placez délicatement le côté de la lame à angle droit par rapport à la surface supérieure du plateau tournant à l'aide d'une équerre, etc., en tournant le boulon hexagonal situé à droite du support vers la droite. Tournez le boulon hexagonal situé à gauche du support complètement à droite. Puis, serrez le levier à fond. (Fig. 54)

Assurez-vous que les deux index du support se trouvent bien en face de chaque 0° de l'échelle sur le support de bras. Si tel n'est pas le cas, desserrez les vis de fixation des index et réglez-les de façon qu'ils soient juste en face de 0°. (Fig. 55)

2) Angle de coupe en biseau 45° (Fig. 56)

Réglez l'angle de 45° uniquement après avoir réglé l'angle de biseau de 0°. Pour ce faire, desserrez le levier et inclinez la lame à fond sur la gauche. Vérifiez que l'index du bras indique 45° sur l'échelle du support de bras. Si l'index n'indique pas 45°, tournez le boulon de réglage d'angle de biseau de 45° de gauche du côté du support de bras jusqu'à ce qu'il indique 45°.

Pour ajuster l'angle de coupe en biseau 45° de droite, effectuez la même procédure que celle décrite ci-dessus.

Réglage pour effectuer en douceur les coupes en biseau (Fig. 57)

Le contre-écrou hexagonal qui retient le bras à son support a été ajusté en usine pour assurer l'exécution en douceur des coupes en biseau, et pour garantir des coupes de précision. N'essayez pas de le modifier. Si la connexion entre le bras et son support devait se relâcher, serrez le contre-écrou hexagonal au moyen d'une clé.

Réglage de la position de la ligne laser (Fig. 58 et 59)

Pour les modèles LS1013L, LS1013FL uniquement

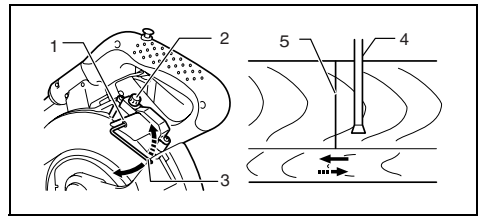
AVERTISSEMENT :

- L'outil étant branché au moment du réglage de la position de la ligne laser, veuillez prendre tout particulièrement garde à la gâchette. L'outil risque de démarrer et de vous blesser si vous appuyez accidentellement sur la gâchette.

ATTENTION :

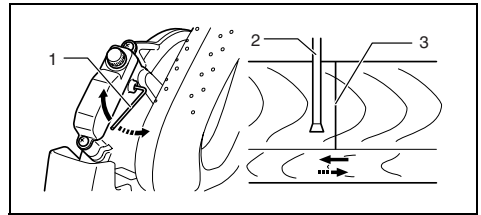
- Ne jamais regarder directement le faisceau laser. L'exposition directe au faisceau laser entraînerait des blessures aux yeux.
- Ne faites subir aucun choc ou impact à l'outil. Un choc ou impact peut fausser la ligne laser, endommager l'émetteur de faisceau laser ou réduire la durée de service de l'outil.

Pour ajuster la ligne laser du côté gauche de la lame



- 1 Vis de modification de la plage de déplacement de la vis de réglage
- 2 Vis de réglage
- 3 Clé hexagonale
- 4 Ligne laser
- 5 lame

Pour ajuster la ligne laser du côté droit de la lame



- 1 Vis de modification de la plage de déplacement de la vis de réglage
- 2 lame
- 3 Ligne laser

Dans un cas comme dans l'autre, procédez comme suit.

1. Vérifiez que l'outil est débranché.
2. Tracez votre ligne de coupe sur la pièce à travailler et placez cette dernière sur le socle rotatif. Ne fixez pas immédiatement la pièce à travailler avec un étau ou un dispositif de sécurité similaire.
3. Abaissez la lame en baissant la poignée, et vérifiez simplement la position respective de la ligne de coupe et de la lame. (Choisissez la position à couper sur la ligne de coupe.)
4. Après avoir choisi la position à couper, remettez la poignée sur sa position initiale. Fixez la pièce à travailler avec l'étau vertical, en prenant soin qu'elle reste dans la position où elle se trouvait avant la vérification.
5. Branchez l'outil et mettez l'interrupteur du laser en position de marche.
6. Procédez comme suit pour ajuster la position de la ligne laser.

La position de la ligne laser peut être modifiée sur la plage permise par la vis de réglage, en tournant deux vis avec une clé hexagonale. (En usine la plage de déplacement de la ligne laser est réglée à moins de 1 mm de la surface latérale de la lame.)

Pour que la plage de déplacement de la ligne laser se trouve à une plus grande distance de la surface latérale de la lame, tournez les deux vis vers la gauche après avoir desserré la vis de réglage. Pour la rapprocher de la surface latérale de la lame, tournez ces deux vis vers la droite après avoir desserré la vis de réglage.

Reportez-vous à la section intitulée "Utilisation du faisceau laser" et ajustez la vis de réglage de sorte que la ligne de coupe tracée sur la pièce à travailler soit alignée sur la ligne laser.

NOTE :

- Pour assurer la précision du travail de coupe, vérifiez régulièrement la position de la ligne laser.
- En cas de défaillance du dispositif laser, faites réparer l'outil par un centre de service après-vente agréé Makita.

Nettoyage de la lentille de lumière laser (Fig. 60 et 61)

Pour le modèle LS1013L, LS1013FL uniquement

Lorsque la lentille de lumière laser est sale ou que la poussière rend la ligne laser peu visible, débranchez la scie puis retirez et nettoyez doucement la lentille du laser avec un linge doux et humide. N'utilisez pas de solvants ni de détergents à base d'essence pour nettoyer la lentille.

Avant de retirer la lentille de lumière laser, retirez d'abord la lame en suivant les instructions de la section "Pose et dépose de la lame".

Avec un tournevis, desserrez, sans la retirer, la vis qui retient la lentille. Tirez sur la lentille pour la retirer, tel qu'indiqué sur l'illustration.

NOTE :

- Si la lentille ne sort pas, desserrez davantage la vis et tirez à nouveau sur la lentille, sans toutefois retirer la vis.

Remplacement du tube fluorescent (Fig. 62)

Pour le modèle LS1013F, LS1013FL uniquement

ATTENTION :

- Assurez-vous toujours que le contact est coupé et l'outil débranché avant de remplacer le tube fluorescent.
- Evitez d'appliquer une force, de heurter ou d'érafler le tube fluorescent, car ce dernier risque de se casser et de causer des blessures aux personnes présentes.
- Avant de remplacer un tube fluorescent, laissez-le reposer un instant après son utilisation. Autrement, vous risquez de vous brûler.

Retirez les vis qui retiennent le boîtier de la lampe. Tirez sur le boîtier tout en poussant légèrement sur sa position supérieure, tel qu'indiqué sur la **Fig. 62**.

Retirez le tube fluorescent et remplacez-le par un tube neuf Makita.

Remplacement des charbons (Fig. 63 et 64)

Retirez et vérifiez les charbons régulièrement. Remplacez-les lorsqu'ils atteignent le repère d'usure. Gardez les charbons propres et libres de glisser dans les porte-charbons. Les deux charbons doivent être remplacés simultanément. Utilisez uniquement des charbons identiques.

Retirez les bouchons de porte-charbon à l'aide d'un tournevis. Enlevez les charbons usés, insérez les neufs et remettez en place les bouchons.

Après l'utilisation

- Après l'utilisation essuyez les copeaux et poussières qui adhèrent à l'outil à l'aide d'un chiffon ou d'un objet similaire. Gardez le protecteur de lame propre, conformément aux instructions fournies dans la section précédente intitulée "Protecteur de lame". Lubrifiez les parties coulissantes avec de l'huile à machine pour prévenir la formation de rouille.
- Pour ranger l'outil, tirez le chariot complètement vers vous de façon que les coulisses disparaissent complètement dans le socle rotatif.

Pour assurer la SECURITE et la FIABILITE du produit, toute réparation et tout travail d'entretien ou de réglage doivent être effectués par un Centre d'Entretien autorisé Makita, avec des pièces de rechange Makita.

ACCESSOIRES

ATTENTION :

- Les accessoires ou pièces supplémentaires qui suivent sont recommandés pour l'utilisation avec l'outil Makita spécifié dans ce manuel. L'utilisation de tout autre accessoire ou pièce supplémentaire peut comporter un risque de blessure. Utilisez uniquement l'accessoire ou la pièce supplémentaire dans le but spécifié.

Pour obtenir plus de détails sur ces accessoires, contactez votre Centre d'Entretien local Makita.

- Lames à dents d'acier et de carbure de tungstène
- Sac à poussière
- Butée pare-éclats rotative de droite
- Coude
- Ensemble d'étau (étau horizontal)
- Règle triangulaire
- Étau vertical
- Bouton de déverrouillage (2 pièces)
- Clé à douille 13
- Bloc de découpe
- Servante
- Tube fluorescent (pour le modèle LS1013F, LS1013FL)
- Clé hexagonale (pour le modèle LS1013L, LS1013FL)

Übersicht

1	Anschlagstift	34	Pfeil	65	Einstelldreieck
2	Schraube	35	Spindelarretierung	66	Schraube
3	Schutzhaube	36	Innenflansch	67	Gehrungswinkel-Einstellskala
4	Knopf	37	Spindel	68	Markierungspfeil
5	Schlitzplatte	38	Ring	69	Neigungswinkel-Einstellskala
6	Sägeblatt	39	Außenflansch	70	Zeiger
7	Sägeblattzähne	40	Sechskantschraube (Linksgangig)	71	Armhalter
8	Linker Gehrungsschnitt	41	Staubtülle	72	Einstellschraube für 45° Rechtsseiten Neigungswinkel
9	Gerader Schnitt	42	Staubstapel	73	Einstellschraube für 45° Linksseiten Neigungswinkel
10	Rechter Gehrungsschnitt	43	Verschluss	74	Sechskant-Sicherungsmutter
11	Einstellschraube	44	Stütze	75	Einlegeplatte
12	Drehteller	45	Drehteller	76	Werkstück
13	Drehteller-Oberfläche	46	Zusatzanschlag	77	Schnittlinie
14	Sägeblattumfang	47	Zusatzanschlag R	78	Vertikal-Schraubstock
15	Gehrungsanschlag	48	Schrauben	79	Schraubendreher
16	Einstellschraube	49	Schraubstockarm	80	Schraube (nur ein Teil)
17	Anschlagarm	50	Stehbolzen	81	Linse für Laserlicht
18	Arretierhebel	51	Schraube	82	Verschleißgrenze
19	Griff	52	Schraubstockknopf	83	Bürstenhalterkappe
20	Zeiger	53	Parallelanschlag	84	Leuchte
21	Gehrungswinkelskala	54	Schraubstockplatte	85	Lichtschalter
22	Hebel	55	Schraubstockmutter	86	Herausziehen
23	Arm	56	Auflagebügel	87	Drücken
24	Neigungswinkelskala	57	Schubverriegelungsring	88	Lampengehäuse
25	Einschaltperrknopf	58	Schraubstock	89	Schrauben
26	Ein-Aus-Schalter	59	Distanzblock	90	Leuchtstoffröhre
27	Handgriff	60	Aluminium-Strangpressprofil	91	Staubsammelbehälter
28	Laserschalter	61	Zulagen	92	Abdeckung
29	Steckschlüssel	62	Horizontal-Schraubstock (Sonderzubehör)	93	Knopf
30	Steckschlüsselhalter	63	Nuten	94	Zylinderteil
31	Mittenabdeckung	64	Sechskantschrauben	95	Sägemehl
32	Sechskantschraube				
33	Sägeblattgehäuse				

TECHNISCHE DATEN

Modell	LS1013/LS1013F/LS1013L/LS1013FL
Sägeblattdurchmesser.....	250 – 260 mm
Sägeblattbohrung	
Für alle Länder außerhalb Europas.....	25,4 mm und 25 mm
Für europäische Länder	30 mm
Max. Schnitttiefe (H x B) mit 260 mm Durchmesser Sägeblatt	

Gehrungswinkel	Neigungswinkel		
	45° (links)	0°	45° (rechts)
0°	50 mm x 310 mm	91 mm x 310 mm	31 mm x 310 mm
45° (links und rechts)	(links) 50 mm x 200 mm (rechts) 50 mm x 220 mm	91 mm x 220 mm	31 mm x 220 mm
52° (rechts)	—	91 mm x 190 mm	—

Leerlaufdrehzahl (min ⁻¹)	3 700
Lasertyp (Nur für LS1013L/LS1013FL)	Roter Laser 650 nm, <1 mW (Laserklasse 2)
Abmessungen (L x B x H)	
LS1013/LS1013F.....	715 mm x 520 mm x 625 mm
LS1013L/LS1013FL.....	715 mm x 520 mm x 640 mm
Nettogewicht	
LS1013/LS1013F.....	21 kg
LS1013L/LS1013FL.....	22 kg
Sicherheitsklasse.....	☐ II

- Im Zuge unseres laufenden Forschungs- und Entwicklungsprogramms behalten wir uns das Recht vor, Änderungen an den vorliegenden technischen Daten ohne Vorankündigung vorzunehmen.
- Hinweis: Die technischen Daten können von Land zu Land unterschiedlich sein.

Vorgesehene Verwendung

Die Maschine ist für genaue Gerad- und Gehrungschnitte in Holz vorgesehen. Mit entsprechenden Sägeblättern kann auch Aluminium gesägt werden.

Stromversorgung

Die Maschine darf nur an eine Einphasen-Wechselstromquelle angeschlossen werden, deren Spannung mit der Angabe auf dem Typenschild übereinstimmt. Sie ist gemäß der Europa-Norm doppelt schutzisoliert, und kann daher auch mit Steckdosen ohne Erdleiter verwendet werden.

Sicherheitshinweise

Lesen und beachten Sie diese Hinweise, bevor Sie das Gerät benutzen.

ZUSÄTZLICHE SICHERHEITSREGELN FÜR DIE MASCHINE

1. **Tragen Sie stets eine Schutzbrille.**
2. **Halten Sie Ihre Hände von der Schnittlinie des Sägeblatts fern.** Vermeiden Sie die Berührung eines auslaufenden Sägeblatts. Es kann auch in diesem Zustand noch schwere Verletzungen verursachen.
3. **Betreiben Sie die Säge nicht ohne Schutzvorrichtungen. Überprüfen Sie die Schutzhaube vor jeder Benutzung auf einwandfreies Schließen. Betreiben Sie die Säge nicht, wenn sich die Schutzhaube nicht ungehindert bewegt und sich nicht sofort schließt. Die Schutzhaube darf auf keinen Fall in der geöffneten Stellung festgeklemmt oder festgebunden werden.**
4. **Führen Sie keine freihändigen Arbeiten aus.** Das Werkstück muss bei allen Operationen mit der Schraubzwinde fest gegen Drehteller und Gehrungsanschlag gesichert werden. Halten Sie Werkstücke niemals nur mit der Hand.
5. **Fassen Sie niemals um das Sägeblatt.**
6. **Schalten Sie die Maschine aus und lassen Sie das Sägeblatt zum Stillstand kommen, bevor Sie das Werkstück bewegen oder Einstellungen ändern.**
7. **Trennen Sie die Maschine vom Stromnetz, bevor Sie das Sägeblatt wechseln oder die Maschine warten.**
8. **Sichern Sie stets alle beweglichen Teile, bevor Sie die Maschine tragen.**
9. **Der Anschlagstift, der den Schneidkopf verriegelt, ist nur zum Tragen und zur Lagerung, nicht für irgendwelche Schneidarbeiten, vorgesehen.**
10. **Betreiben Sie die Maschine nicht in Gegenwart von brennbaren Flüssigkeiten oder Gasen.**
11. **Überprüfen Sie das Sägeblatt vor dem Betrieb sorgfältig auf Risse oder Beschädigung. Wechseln Sie ein gerissenes oder beschädigtes Sägeblatt unverzüglich aus.**
12. **Verwenden Sie nur die für diese Maschine vorgeschriebenen Flansche.**
13. **Achten Sie sorgfältig darauf, dass Achse, Flansche (insbesondere die Ansatzfläche) und Schraube nicht**

beschädigt werden. Eine Beschädigung dieser Teile kann zu einem Sägeblattbruch führen.

14. **Vergewissern Sie sich, dass der Drehteller einwandfrei gesichert ist, damit er sich während des Betriebs nicht bewegt.**
15. **Zur Sicherheit sollte die Tischplatte vor dem Betrieb von Spänen, Kleinteilen usw. gesäubert werden.**
16. **Schneiden Sie keine Nägel durch. Untersuchen Sie das Werkstück sorgfältig auf Nägel, und entfernen Sie diese vor der Bearbeitung.**
17. **Vergewissern Sie sich vor dem Einschalten der Maschine, dass die Spindelarretierung freigegeben ist.**
18. **Vergewissern Sie sich, dass das Sägeblatt in der Tiefstellung nicht mit dem Drehteller in Berührung kommt.**
19. **Halten Sie den Handgriff sicher fest. Beachten Sie, dass sich die Säge beim Anlaufen und Abstellen geringfügig nach oben oder unten bewegt.**
20. **Vergewissern Sie sich vor dem Einschalten der Maschine, dass das Sägeblatt nicht das Werkstück berührt.**
21. **Lassen Sie die Maschine vor dem eigentlichen Schneiden eines Werkstücks eine Weile laufen. Achten Sie auf Vibrationen oder Taumelbewegungen, die Anzeichen für schlechte Montage oder ein schlecht ausgewuchtetes Sägeblatt sein können.**
22. **Warten Sie, bis das Sägeblatt die volle Drehzahl erreicht hat, bevor Sie mit dem Schneiden beginnen.**
23. **Brechen Sie sofort den Betrieb ab, wenn Sie irgendetwas Ungewöhnliches bemerken.**
24. **Versuchen Sie nicht, den Schalter in der Einschaltstellung zu arretieren.**
25. **Seien Sie stets wachsam, besonders bei sich dauernd wiederholenden, eintönigen Arbeiten. Lassen Sie sich nicht in trügerische Sicherheit wiegen. Sägeblätter kennen kein Erbarmen.**
26. **Verwenden Sie stets das in dieser Anleitung empfohlene Zubehör. Der Gebrauch ungeeigneten Zubehörs, wie z.B. Schleifscheiben, kann Verletzungen zur Folge haben.**
27. **Benutzen Sie die Säge nur zum Schneiden von Aluminium, Holz oder ähnlichem Material.**
28. **Schließen Sie Gehrungs- und Kappsägen beim Betrieb an eine Staubsammelvorrichtung an.**
29. **Wählen Sie die Sägeblätter unter Berücksichtigung des zu schneidenden Materials aus.**
30. **Lassen Sie beim Nutenschneiden Vorsicht walten.**
31. **Wechseln Sie die Schlitzplatte bei Verschleiß aus.**
32. **Verwenden Sie keine Sägeblätter aus Schnellstahl.**
33. **Bei manchen Werkstoffen kann der beim Sägen erzeugte Staub Chemikalien enthalten, die erwiesenermaßen Krebs, Geburtsfehler oder Schäden an Fortpflanzungsorganen verursachen. Beispiele dieser Chemikalien sind wie folgt:**
 - Blei in Lack mit Bleizusatz
 - Arsen und Chrom in chemisch behandeltem Bauholz.

Ihre Gefährdung durch den Umgang mit solchen Chemikalien hängt davon ab, wie oft Sie diese Arbeiten verrichten. Um Ihre Aussetzung zu diesen Chemikalien zu reduzieren: Arbeiten Sie in gut belüfteter Umgebung, und verwenden Sie geprüfte Sicherheitsvorrichtungen, wie z.B. Staubmasken, die mikroskopische Teilchen herausfiltern.

34. **Um den erzeugten Geräuschpegel zu reduzieren, achten Sie stets darauf, dass das Sägeblatt scharf und sauber ist.**
35. **Die Bedienungsperson sollte in der Handhabung, Einstellung und Bedienung der Maschine hinreichend geschult sein.**
36. **Verwenden Sie korrekt geschärfte Sägeblätter. Halten Sie die auf dem Sägeblatt angegebene Maximaldrehzahl ein.**
37. **Unterlassen Sie das Entfernen von Bruchstücken oder anderen Teilen des Werkstücks vom Schnittbereich, während die Maschine läuft und das Sägeblatt sich nicht in der Ruhestellung befindet.**

BEWAHREN SIE DIESE HINWEISE SORGFÄLTIG AUF

MONTAGE

Befestigung der Säge auf einer Werkbank

Der Handgriff wird werkseitig vor dem Versand mit dem Anschlagstift in der Tiefstellung verriegelt. Lösen Sie die Verriegelung, indem Sie den Handgriff etwas herunterdrücken und den Anschlagstift herausziehen. **(Abb. 1)** Diese Maschine sollte unter Verwendung der Schraubenbohrungen in der Grundplatte mit vier Schrauben auf einer ebenen und stabilen Oberfläche befestigt werden. Dadurch werden Umkippen und mögliche Verletzungen vermieden. **(Abb. 2)**

FUNKTIONSBESCHREIBUNG

VORSICHT:

- Vergewissern Sie sich vor jeder Einstellung oder Funktionsprüfung der Maschine stets, dass sie ausgeschaltet und vom Stromnetz getrennt ist.

Schutzhaube (Abb. 3 und 4)

Wird der Handgriff abgesenkt, hebt sich die Schutzhaube automatisch. Die Schutzhaube kehrt in ihre Ausgangsstellung zurück, wenn der Schnitt vollendet ist und der Handgriff angehoben wird. **DIE SCHUTZHAUBE ODER DIE DARAN ANGEBRACHTE FEDER DARF AUF KEINEN FALL FUNKTIONSunFÄHIG GEMACHT ODER ENTFERNT WERDEN.**

Im Interesse Ihrer eigenen Sicherheit sollten Sie die Schutzhaube stets in ordnungsgemäßem Zustand halten. Funktionsstörungen der Schutzhaube müssen sofort behoben werden. Überprüfen Sie die gefederte Rückkehrbewegung der Schutzhaube. **BENUTZEN SIE DIE MASCHINE NIEMALS MIT BESCHÄDIGTER, DEFEKTER ODER FEHLENDER SCHUTZHAUBE ODER FEDER, WEIL DIES SEHR GEFÄHRLICH IST UND ZU SCHWEREN VERLETZUNGEN FÜHREN KANN.**

Wenn die transparente Schutzhaube schmutzig wird oder soviel Sägemehl an ihr haftet, dass das Sägeblatt und/oder Werkstück nicht mehr ohne weiteres sichtbar ist, sollten Sie die Säge vom Stromnetz trennen und die Schutzhaube mit einem feuchten Tuch sorgfältig reinigen. Verwenden Sie keine Lösungsmittel oder Reinigungsmittel auf Petroleumbasis zum Reinigen der Kunststoff-Schutzhaube.

Wenn bei besonders starker Verschmutzung der Schutzhaube die Sicht durch die Schutzhaube behindert ist, lösen Sie die Sechskantschraube, mit der die Mittenabdeckung befestigt ist, mit dem mitgelieferten Steckschlüssel.

Lösen Sie die Sechskantschraube durch Drehen entgegen dem Uhrzeigersinn, und heben Sie die Schutzhaube und die Mittenabdeckung an. In dieser Stellung der Schutzhaube kann die Reinigung gründlicher und effizienter durchgeführt werden. Wenden Sie nach der Reinigung das obige Demontageverfahren umgekehrt an, und ziehen Sie die Schraube an. Entfernen Sie nicht die Feder, welche die Schutzhaube hält. Falls sich die Schutzhaube durch Alterung oder UV-Strahlung verfärbt, bestellen Sie eine neue Schutzhaube bei einer Makita-Kundendienststelle. **DIE SCHUTZHAUBE DARF NICHT FUNKTIONSunFÄHIG GEMACHT ODER ENTFERNT WERDEN.**

Positionieren der Schlitzplatten (Abb. 5 und 6)

Diese Maschine ist mit Schlitzplatten im Drehteller versehen, um Reißen am Austrittsende eines Schnitts auf ein Minimum zu reduzieren. Die Schlitzplatten sind werkseitig so eingestellt, dass das Sägeblatt nicht mit ihnen in Berührung kommt. Stellen Sie die Schlitzplatten vor dem Gebrauch wie folgt ein:

Ziehen Sie zuerst den Netzstecker ab. Drehen Sie alle Befestigungsschrauben der Schlitzplatten (je 2 auf der linken und rechten Seite) heraus. Ziehen Sie die Schrauben nur so weit an, dass sich die Schlitzplatten noch leicht von Hand bewegen lassen. Senken Sie den Handgriff völlig ab, und schieben Sie den Anschlagstift hinein, um den Handgriff in der Tiefstellung zu verriegeln. Lösen Sie den Knopf, mit dem die Gleitstangen gesichert sind. Ziehen Sie den Schlitten ganz auf sich zu. Stellen Sie die Schlitzplatten so ein, dass sie die Seiten der Sägeblattzähne nur leicht berühren. Ziehen Sie die vorderen Schrauben an (nicht fest anziehen). Schieben Sie den Schlitten ganz zum Gehrungsanschlag, und stellen Sie die Schlitzplatten so ein, dass sie die Seiten der Sägeblattzähne nur leicht berühren. Ziehen Sie die hinteren Schrauben an (nicht fest anziehen).

Ziehen Sie den Anschlagstift nach der Einstellung der Schlitzplatten wieder heraus, und heben Sie den Handgriff an. Ziehen Sie dann alle Schrauben fest an.

VORSICHT:

- Die Schlitzplatten müssen vor und nach jeder Änderung des Neigungswinkels wie oben beschrieben eingestellt werden.

Aufrechterhaltung der maximalen Schnittleistung (Abb. 7 und 8)

Diese Maschine ist werkseitig so eingestellt, daß mit einem 255 mm Sägeblatt die maximale Schnitttiefe erreicht wird.

Wenn Sie ein neues Sägeblatt montieren, überprüfen Sie immer die untere Grenzposition des Sägeblatts, und nehmen Sie nötigenfalls eine Einstellung vor, wie folgt:

Ziehen Sie zuerst den Netzstecker ab. Schieben Sie den Sägeschlitten bis zum Anschlag und senken den Sägekopf vollständig. Drehen Sie die Einstellschraube mit dem Steckschlüssel, bis der Sägeblattumfang am Berührungspunkt von Gehrungsanschlag-Vorderseite und Drehteller-Oberfläche geringfügig unterhalb der Drehteller-Oberfläche liegt.

Drehen Sie das Sägeblatt bei vom Stromnetz getrennter Maschine von Hand, während Sie den Handgriff in der Tiefstellung halten, um sicherzugehen, dass das Sägeblatt keinen Teil des Auflagetisches berührt. Nötigenfalls ist eine Nachjustierung vorzunehmen.

VORSICHT:

- Vergewissern Sie sich nach der Montage eines neuen Sägeblatts stets, dass das Sägeblatt in der Tiefstellung des Handgriffs keinen Teil des Auflagetisches berührt. Führen Sie diese Überprüfung immer bei abgezogenem Netzstecker durch.

Anschlagarm (Abb. 9)

Die untere Grenzposition des Sägeblatts kann mit dem Anschlagarm leicht eingestellt werden. Drehen Sie den Anschlagarm zum Einstellen in Pfeilrichtung, wie in der Abbildung gezeigt. Stellen Sie die Einstellschraube so ein, dass das Sägeblatt an der gewünschten Position anhält, wenn der Handgriff ganz abgeseckt wird.

Einstellung des Gehrungswinkels (Abb. 10)

Lösen Sie den Griff durch Linksdrehung. Drehen Sie den Drehteller, während Sie den Arretierhebel niederdrücken. Bewegen Sie den Griff, bis der Zeiger auf den gewünschten Winkel der Gehrungswinkelskala zeigt, und ziehen Sie dann den Griff durch Rechtsdrehung fest.

VORSICHT:

- Bringen Sie den Handgriff in die Hochstellung, bevor Sie den Drehteller drehen.
- Sichern Sie den Drehteller nach jeder Änderung des Gehrungswinkels stets durch Anziehen des Griffs gegen Verdrehen.

Einstellen des Neigungswinkels (Abb. 11 und 12)

Um den Neigungswinkel einzustellen, lösen Sie den Hebel auf der Rückseite der Maschine durch Linksdrehen. Entriegeln Sie den Arm, indem Sie den Handgriff ziemlich kräftig in die Richtung schieben, in der Sie das Sägeblatt neigen wollen.

Neigen Sie das Sägeblatt, bis der Zeiger auf den gewünschten Winkel der Neigungswinkelskala zeigt. Ziehen Sie dann den Verriegelungshebel durch Rechtsdrehen fest, um den Arm einwandfrei zu sichern.

VORSICHT:

- Bringen Sie den Handgriff in die Hochstellung, bevor Sie das Sägeblatt neigen.
- Sichern Sie den Arm nach jeder Änderung des Neigungswinkels stets durch Anziehen des Hebels im Uhrzeigersinn.
- Wenn der Neigungswinkel geändert wird, müssen die Schlitzplatten gemäß der Beschreibung im Abschnitt "Positionieren der Schlitzplatten" entsprechend eingestellt werden.

Schalterfunktion

VORSICHT:

- Vergewissern Sie sich vor dem Anschließen der Maschine an das Stromnetz stets, dass der Ein-Aus-Schalter ordnungsgemäß funktioniert und beim Loslassen in die AUS-Stellung zurückkehrt.
- Wenn Sie die Maschine nicht benutzen, entfernen Sie die Einschaltsperrle (Schaltersicherung), und bewahren Sie sie an einem sicheren Ort auf. Dadurch wird unbelegter Betrieb verhindert.
- Betätigen Sie den Ein-Aus-Schalter nicht gewaltsam, ohne die Einschaltsperrle hineinzudrücken. Dies kann zu Beschädigung des Schalters führen.

Für europäische Länder (Abb. 13)

Um versehentliche Betätigung des Ein-Aus-Schalters zu verhüten, ist die Maschine mit einer Einschaltsperrle ausgestattet. Zum Einschalten der Maschine den Arretierhebel nach links schieben, Einschaltsperrle und danach Ein-Aus-Schalter drücken. Zum Ausschalten lassen Sie den Ein-Aus-Schalter los.

Für alle Länder außerhalb Europas (Abb. 14)

Um versehentliche Betätigung des Ein-Aus-Schalters zu verhüten, ist die Maschine mit einer Einschaltsperrle ausgestattet. Betätigen Sie zum Starten der Maschine den Ein-Aus-Schalter bei gedrückter Einschaltsperrle. Zum Ausschalten lassen Sie den Ein-Aus-Schalter los.

WARNUNG:

- Benutzen Sie die Maschine NIEMALS, wenn der Ein-Aus-Schalter nicht voll funktionsfähig ist. Eine Maschine mit defektem Ein-Aus-Schalter ist ÄUSSERST GEFÄHRLICH und muss vor weiterem Gebrauch repariert werden.
- Aus Sicherheitsgründen ist diese Maschine mit einer Einschaltsperrle ausgestattet, die versehentliches Einschalten der Maschine verhütet. Betreiben Sie die Maschine NIEMALS, wenn sie durch einfache Betätigung des Ein-Aus-Schalters eingeschaltet werden kann, ohne die Einschaltsperrle zu drücken. Lassen Sie die Maschine von einer Makita-Kundendienststelle ordnungsgemäß reparieren, BEVOR Sie sie weiter benutzen.
- Die Einschaltsperrle darf NIEMALS festgeklebt oder funktionsunfähig gemacht werden.

Ein- und Ausschalten der Lampen (Abb. 15 und 16)

Nur für Modell LS1013F, LS1013FL

VORSICHT:

- Diese Lampe ist nicht regengeschützt. Waschen Sie die Lampe nicht mit Wasser, und benutzen Sie sie auch nicht bei Regen oder in nasser Umgebung. Anderenfalls kann es zu einem elektrischen Schlag oder Rauchentwicklung kommen.
- Berühren Sie nicht die Linse der Lampe, da sie während des Betriebs oder unmittelbar nach dem Ausschalten sehr heiß ist. Es könnte sonst zu Hautverbrennungen kommen.
- Setzen Sie die Lampe keinen Erschütterungen aus, weil sie sonst beschädigt werden oder ihre Lebensdauer sich verkürzen kann.
- Richten Sie den Lichtstrahl nicht auf Ihre Augen. Dies kann zu Sehstörungen führen.
- Decken Sie die Lampe während des Betriebs nicht mit Tüchern, Karton, Pappe oder ähnlichen Objekten ab, weil es sonst zu einem Brand oder einer Entzündung kommen kann.

Drücken Sie den Schalter zum Einschalten der Lampe nach oben, und zum Ausschalten nach unten.

Verstellen Sie die Lampe, um den Beleuchtungsbereich zu ändern.

HINWEIS:

- Wischen Sie Schmutz auf der Lampenlinse mit einem trockenen Tuch ab. Achten Sie sorgfältig darauf, dass Sie die Linse der Lampe nicht verkratzen, weil sich sonst die Lichtstärke verringert.

Einlegeplatte (Standardzubehör für europäische Länder) (Abb. 17 und 18)

VORSICHT:

- Bei Verwendung der Einlegeplatte immer mit demselben Gehrungswinkel schneiden.
- Bei einer Änderung des Gehrungswinkels sind andere Einlegeplatten zu verwenden.
- Bei Durchführung von Neigungsschnitten darf die Einlegeplatte nicht verwendet werden.

Bei Missachtung wird die Platte gespalten, was zu einer schweren Verletzung des Benutzers führen kann.

Bei Verwendung der Einlegeplatte für 90°-Schnitte können splitterfreie Schnitte im Werkstück auf der Seite des Gehrungsanschlags ausgeführt werden (Höhe des Werkstücks bis zu 35 mm). Die Einlegeplatte mit den zwei Schrauben am Gehrungsanschlag befestigen. (Gehrungsanschlag und Einlegeplatte so einstellen, dass ihre Flächen sich gegenseitig berühren. Dann die Schrauben fest anziehen.)

Laserstrahlbenutzung

Nur für Modell LS1013L, LS1013FL

VORSICHT:

- Blicken Sie auf keinen Fall in den Laserstrahl. Der direkte Laserstrahl kann Ihre Augen verletzen.
- **LASERSTRAHLUNG! NICHT IN DEN STRAHL BLIKEN ODER DIREKT MIT OPTISCHEN INSTRUMENTEN BETRACHTEN. LASERPRODUKT DER KLASSE 2M.**

Um den Laserstrahl einzuschalten, drücken Sie den oberen Teil (I) des Schalters. Um ihn auszuschalten, drücken Sie den unteren Teil (O). (Fig. 19)

Sie können die Laserlinie entweder zur rechten oder linken Seite des Sägeblatts verschieben, indem Sie die Einstellschraube wie folgt einstellen. (Fig. 20)

1. Lösen Sie die Einstellschraube durch Linksdrehen.
2. Schieben Sie die gelöste Einstellschraube bis zum Anschlag nach rechts oder links.
3. Ziehen Sie die Einstellschraube an der Anschlagposition fest an.

Die Laserlinie ist werksseitig so eingestellt, dass sie innerhalb 1 mm von der Seitenfläche des Sägeblatts (Schnittposition) liegt.

HINWEIS:

- Falls die Laserlinie beim Arbeiten in Innenräumen in Fensternähe oder im Freien wegen direkten Sonnenlichts verblasst und teilweise oder gänzlich unsichtbar ist, verlegen Sie den Arbeitsplatz an einen Ort, der keinem direkten Sonnenlicht ausgesetzt ist.

Ausrichten der Laserlinie (Abb. 21)

Die Laserlinie kann je nach den Schneidarbeiten entweder zur linken oder rechten Seite des Sägeblatts verschoben werden. Angaben zur Verschiebungsmethode finden Sie im Abschnitt "Laserstrahlbenutzung".

HINWEIS:

- Legen Sie ein Zwischenbrett an den Gehrungsanschlag an, wenn Sie die Schnittlinie bei Compound-schnitten auf die Laserlinie auf der Seite des Gehrungsanschlags ausrichten (Neigungswinkel von 45° und rechter Gehrungswinkel von 45°).

- A) Bei Erhalten der korrekten Größe auf der linken Seite des Werkstücks
 - Verschieben Sie die Laserlinie zur linken Seite des Sägeblatts.
- B) Bei Erhalten der korrekten Größe auf der rechten Seite des Werkstücks
 - Verschieben Sie die Laserlinie zur rechten Seite des Sägeblatts.

Richten Sie die Schnittlinie am Werkstück auf die Laserlinie aus.

MONTAGE

VORSICHT:

- Vergewissern Sie sich vor der Ausführung von Arbeiten an der Maschine stets, dass sie ausgeschaltet und vom Stromnetz getrennt ist.

Steckschlüssel-Aufbewahrung (Abb. 22)

Der Steckschlüssel wird gemäß der Abbildung aufbewahrt. Ziehen Sie den Steckschlüssel zum Gebrauch aus dem Steckschlüsselhalter heraus. Setzen Sie den Steckschlüssel nach dem Gebrauch wieder in den Steckschlüsselhalter ein.

Montage und Demontage des Sägeblatts

VORSICHT:

- Vergewissern Sie sich vor der Montage bzw. Demontage des Sägeblatts stets, dass die Maschine ausgeschaltet und vom Stromnetz getrennt ist.
- Verwenden Sie nur den mitgelieferten Makita-Steckschlüssel zum Demontieren oder Montieren des Sägeblatts. Anderenfalls besteht die Gefahr, dass die Sechskantschraube zu stark oder zu schwach angezogen wird. Dies könnte zu einer Verletzung führen.

Arretieren Sie den Handgriff durch Hineinschieben des Anschlagstifts in der Hochstellung. (Abb. 23)

Zum Demontieren des Sägeblatts lösen Sie zunächst die Sechskantschraube, mit der die Mittenabdeckung befestigt ist, durch Linksdrehung mit dem Steckschlüssel. Heben Sie die Schutzhaube und die Mittenabdeckung an. (Abb. 24)

Blockieren Sie die Spindel durch Drücken der Spindelarretierung, und lösen Sie die Sechskantschraube (linksgängig) durch Rechtsdrehung des Steckschlüssels. Nehmen Sie dann Sechskantschraube, Außenflansch und Sägeblatt ab. (Abb. 25)

Zum Montieren schieben Sie das Sägeblatt vorsichtig auf die Spindel, wobei Sie darauf achten, dass der Pfeil auf dem Sägeblatt in dieselbe Richtung zeigt wie der Pfeil auf dem Sägeblattgehäuse. Bringen Sie Außenflansch und Sechskantschraube an, und ziehen Sie dann die Sechskantschraube (linksgängig) bei gedrückter Spindelarretierung durch Linksdrehung des Steckschlüssels fest. (Abb. 26)

Für alle Länder außerhalb Europas

VORSICHT:

- Der schwarze Ring mit 25 mm Außendurchmesser und der silberne Ring mit 25,4 mm Außendurchmesser sind werksseitig installiert worden, wie in der Abbildung gezeigt. Wenn Sie ein Sägeblatt mit 25-mm-Bohrung verwenden, ersetzen Sie den silbernen Ring durch den schwarzen. Bevor Sie das Sägeblatt auf die Spindel montieren, sollten Sie sich stets vergewissern, dass der korrekte Ring für die Spindelbohrung des zu benutzenden Sägeblatts zwischen Innen- und Außenflansch installiert ist. **(Abb. 27)**

Für europäische Länder

VORSICHT:

- Der Ring mit 30 mm Außendurchmesser wurde werksseitig zwischen Innen- und Außenflansch installiert.

Bringen Sie Außenflansch und Sechskantschraube an, und ziehen Sie dann die Sechskantschraube bei gedrückter Spindelarreterierung durch Linksdrehung des Steckschlüssels fest.

Bringen Sie Schutzhaube und Mittenabdeckung wieder in ihre Ausgangsstellung. Ziehen Sie dann die Sechskantschraube zur Sicherung der Mittenabdeckung im Uhrzeigersinn an. Lösen Sie den Handgriff durch Herausziehen des Anschlagstifts aus der Hochstellung. Senken Sie den Handgriff ab, um zu prüfen, ob sich die Schutzhaube einwandfrei bewegt. Vergewissern Sie sich vor der Benutzung der Maschine, dass die Spindelarreterierung gelöst ist. **(Abb. 28)**

Staubsaack (Zubehör) (Abb. 29)

Der Staubsaack ermöglicht sauberes Arbeiten und einfaches Staub sammeln. Um den Staubsaack anzubringen, führen Sie die Staubtülle in den Auslassstutzen der Schutzhaube ein, und schieben Sie die Einlassöffnung des Staubsaacks auf die Staubtülle.

Wenn der Staubsaack etwa halb voll ist, nehmen Sie ihn von der Maschine ab und ziehen den Verschluss heraus. Entleeren Sie den Staubsaack, indem Sie ihn leicht aklopfen, um die an den Innenflächen haftenden Staubpartikel, die den Durchlass behindern können, zu lösen.

HINWEIS:

Wenn Sie einen Makita-Staubsauger an Ihre Säge anschließen, können Sie noch effizienter und sauberer arbeiten.

Staubsammelbehälter (Zubehör) (Abb. 30, 31 und 32)

Schieben Sie den Staubsammelbehälter auf die Staubtülle.

Leeren Sie den Staubsammelbehälter möglichst früh. Öffnen Sie die Abdeckung zum Leeren des Staubsaammelbehälters durch Drücken des Knopfes, und schütten Sie das Sägemehl aus. Bringen Sie die Abdeckung wieder an ihrer ursprünglichen Position an, bis sie einrastet. Sie können den Staubsaammelbehälter leicht entfernen, indem Sie ihn herausziehen, während Sie ihn in der Nähe der Staubtülle am Werkzeug drehen.

HINWEIS:

- Wenn Sie einen Makita-Staubsauger an dieses Werkzeug anschließen, können Sie noch effizienter und sauberer arbeiten.

VORSICHT:

- Leeren Sie den Staubsammelbehälter, bevor das Niveau des angesammelten Sägemehls den Zylinder teil erreicht.

Sicherung von Werkstücken

WARNUNG:

- Die einwandfreie Sicherung des Werkstücks mit der Schraubzwinde ist äußerst wichtig. Nachlässigkeit in diesem Punkt kann zu einer Beschädigung der Maschine und/oder Zerstörung des Werkstücks führen. ES BESTEHT VERLETZUNGSGEFAHR. Außerdem sollte der Sägekopf nach erfolgtem Schnitt erst nach völligem Stillstand des Sägeblatts angehoben werden.

VORSICHT:

- Wenn Sie lange Werkstücke schneiden, verwenden Sie Stützen, die ebenso hoch sind wie die Oberseite des Drehtellers. Verlassen Sie sich nicht nur auf die Vertikal- und/oder Horizontalschraubzwinde zur Sicherung des Werkstücks.

Dünnes Material neigt zum Durchhängen. Stützen Sie das Werkstück auf seiner gesamten Länge ab, um Klemmen des Sägeblatts und möglichen RÜCKSCHLAG zu vermeiden. **(Abb. 33)**

Zusatzanschlag

Diese Maschine ist mit einem Zusatzanschlag ausgestattet, der so zu positionieren ist, wie in **Abb. 34** gezeigt. Bei linksseitiger Neigungswinkeleinstellung ist der Zusatzanschlag in der, wie in **Abb. 35** gezeigten, Position zu verwenden.

VORSICHT:

- Wenn Sie linksseitige Neigungsschnitte ausführen, klappen Sie den Anschlag zur linken Position um, wie in **Abb. 35** gezeigt. Anderenfalls kommt er mit dem Sägeblatt oder einem Teil der Maschine in Berührung, wodurch schwere Verletzungen der Bedienungsperson verursacht werden können.

Zusatzanschlag R (Sonderzubehör) (Abb. 36)

Der Zusatzanschlag R kann auf der rechten Seite des Gehrungsanschlags installiert werden. Führen Sie die Stangen des Zusatzanschlags R in die Öffnungen des Gehrungsanschlags ein. Ziehen Sie die mit dem Zusatzanschlag R gelieferten Schrauben an, um den Zusatzanschlag R zu sichern.

VORSICHT:

Bei der Durchführung rechtsseitiger Neigungsschnitte darf der Zusatzanschlag R auf keinen Fall verwendet werden. Anderenfalls kommt er mit dem Sägeblatt oder einem anderen Teil der Maschine in Berührung, was schwere Verletzungen der Bedienungsperson zur Folge haben kann.

Vertikal-Schraubstock (Abb. 37)

Der Vertikal-Schraubstock kann entweder auf der linken oder rechten Seite des Gehrungsanschlags oder der Grundplatte montiert werden. Setzen Sie den Stehbolzen in die Bohrung des Gehrungsanschlags ein, und sichern Sie ihn durch Anziehen der Schraube auf der Rückseite des Gehrungsanschlags.

Stellen Sie den Schraubstockarm auf die Abmessungen des Werkstücks ein, und sichern Sie ihn durch Anziehen der Schraube. Falls die Befestigungsschraube des Schraubstockarms mit dem Gehrungsanschlag in Berührung kommt, installieren Sie die Schraube auf der entgegengesetzten Seite des Schraubstockarms. Vergewissern Sie sich, dass kein Teil der Maschine mit dem Schraubstock in Berührung kommt, wenn der Handgriff ganz abgelenkt und der Schlitten bis zum Anschlag gezogen oder geschoben wird. Falls irgendwelche Teile mit dem Schraubstock in Berührung kommen, ist des Schraubstock zu versetzen.

Drücken Sie das Werkstück flach gegen Gehrungsanschlag und Drehteller. Bringen Sie das Werkstück in die gewünschte Schnittposition, und sichern Sie es einwandfrei durch Anziehen des Schraubstockknopfes.

VORSICHT:

- Das Werkstück muss bei allen Operationen mit der Schraubzwinde fest gegen Drehteller und Gehrungsanschlag gesichert werden.

Horizontal-Schraubstock (Sonderzubehör)

(Abb. 38 und 39)

Der Horizontal-Schraubstock kann entweder auf der linken oder rechten Seite des Auflagetisches montiert werden. Wenn Gehrungschnitte in einem Winkel von 15° oder mehr ausgeführt werden, ist der Horizontal-Schraubstock auf der entgegengesetzten Seite der Drehteller-Drehrichtung zu montieren.

Durch Umliegen der Schraubstockmutter nach links wird der Schraubstock gelöst, so dass er sich schnell hin und her schieben lässt. Zum Einspannen des Werkstücks schieben Sie den Schraubstockknopf nach vorn, bis die Schraubstockplatte das Werkstück berührt, und legen Sie dann die Schraubstockmutter nach rechts um. Drehen Sie dann den Schraubstockknopf im Uhrzeigersinn, um das Werkstück zu sichern.

Werkstücke von maximal 200 mm Breite können mit dem Horizontal-Schraubstock eingespannt werden.

Wenn Sie den Horizontal-Schraubstock auf der rechten Seite der Grundplatte installieren, verwenden Sie auch den Zusatzanschlag R, um das Werkstück noch fester einzuspannen. Angaben zur Installation des Zusatzanschlags R entnehmen Sie bitte dem oben beschriebenen Abschnitt "Zusatzanschlag R".

VORSICHT:

- Klappen Sie die Schraubstockmutter zum Einspannen des Werkstücks stets vollständig nach rechts. Anderenfalls wird das Werkstück möglicherweise nicht ausreichend gesichert, so dass die Gefahr besteht, dass es herausgeschleudert, das Sägeblatt beschädigt oder Verlust der Kontrolle verursacht wird, was zu VERLETZUNGEN führen kann.

Auflagebügel (Abb. 40)

Die Auflagebügel können zur zusätzlichen horizontalen Abstützung von Werkstücken auf beiden Seiten montiert werden. Schieben Sie die Bügelstangen in die Öffnungen der Grundplatte ein, und stellen Sie ihre Länge entsprechend der Größe des abzustützenden Werkstücks ein. Sichern Sie dann die Bügel mit den Schrauben.

VORSICHT:

- Lange Werkstücke müssen stets auf gleicher Höhe mit der Drehteller-Oberfläche abgestützt werden, um genaue Schnitte auszuführen und gefährlichen Verlust der Kontrolle über die Maschine zu vermeiden.

BETRIEB

VORSICHT:

- Lösen Sie den Handgriff vor der Benutzung unbedingt aus der Tiefstellung, indem Sie den Anschlagstift herausziehen.
- Vergewissern Sie sich vor dem Einschalten der Maschine, dass das Sägeblatt nicht das Werkstück usw. berührt.
- Üben Sie beim Schneiden keinen übermäßigen Druck auf den Handgriff aus. Zu starker Druck kann zu Überlastung des Motors und/oder verminderter Schnittleistung führen. Drücken Sie den Handgriff nur mit soviel Kraft nieder, wie für reibungslosen Sägebetrieb notwendig ist, ohne einen beträchtlichen Abfall der Sägeblattzahl zu verursachen.
- Drücken Sie den Handgriff zur Ausführung des Schnitts sachte nieder. Bei zu großer oder seitlicher Kraftausübung kann das Sägeblatt in Schwingung versetzt werden, wodurch zusätzliche Sägespuren im Werkstück erzeugt werden und die Schnittgenauigkeit beeinträchtigt wird.
- Beim Schneiden mit Schubbewegung den Sägekopf mit gemäßigtstem Vorschubdruck ohne Unterbrechung des Sägevorgangs durch das Material führen. Bei Unterbrechung des Sägevorgangs wird die Schnittgenauigkeit beeinträchtigt und Sägespuren können am Werkstück verbleiben.

1. Kappschnitt (Schneiden kleiner Werkstücke) (Abb. 41)

Werkstücke bis 91 mm Höhe und 70 mm Breite können wie nachfolgend beschrieben geschnitten werden:

Schieben Sie den Schlitten vollständig zum Gehrungsanschlag, und drehen Sie den Knopf im Uhrzeigersinn, um den Schlitten zu sichern. Sichern Sie das Werkstück mit der Schraubstock. Schalten Sie die Maschine ein, ohne dass das Sägeblatt Kontakt hat, und warten Sie, bis es seine volle Drehzahl erreicht, bevor Sie es absenken. Senken Sie dann den Handgriff zum Schneiden des Werkstücks sachte bis auf die Tiefstellung ab. Nach Beendigung des Bearbeitungsvorgangs Maschine erst abschalten, und WARTEN, BIS DAS SÄGEBLATT VOLLSTÄNDIG ZUM STILLSTAND GEKOMMEN IST, bevor Sie den Sägekopf anheben.

VORSICHT:

- Ziehen Sie den Knopf durch Rechtsdrehen fest an, damit sich der Schlitten während des Betriebs nicht bewegt. Unzulängliches Festziehen kann unerwarteten Rückschlag des Sägeblatts verursachen. Es kann zu SCHWEREN VERLETZUNGEN kommen.

2. Schiebeschnitt (Schneiden breiter Werkstücke) (Abb. 42)

Lösen Sie den Knopf durch Linksdrehen, so dass der Schlitten ungehindert gleiten kann. Spannen Sie das Werkstück mit dem Schraubstock ein. Ziehen Sie den Schlitten ganz auf sich zu. Schalten Sie die Maschine ein, ohne dass das Sägeblatt Kontakt hat, und warten Sie, bis es seine volle Drehzahl erreicht. Drücken Sie den Handgriff nach unten, und SCHIEBEN SIE DEN SCHLITTEN AUF DEN GEHRUNGSANSCHLAG ZU UND DURCH DAS WERKSTÜCK. Sobald der Schnitt beendet ist, schalten Sie die Maschine aus, und WARTEN SIE, BIS DAS SÄGEBLATT ZUM VÖLLIGEN STILLSTAND GEKOMMEN IST, bevor Sie den Sägekopf wieder ganz anheben.

VORSICHT:

- Zur Ausführung eines Schiebeschnitts: DEN SCHLITTEN ZUNÄCHST GANZ NACH VORNE ZIEHEN, den Handgriff ganz absenken, dann DEN SCHLITTEN AUF DEN GEHRUNGSANSCHLAG ZU SCHIEBEN. STARTEN SIE DEN SCHNITT NIEMALS, OHNE DASS DER SCHLITTEN GANZ NACH VORNE GEZOGEN IST. Falls Sie den Schiebeschnitt ausführen, ohne den Schlitten ganz nach vorne zu ziehen, oder den Schlitten während des Schneidens auf sich zu ziehen, kann es zu unerwartetem Rückschlag des Sägeblatts kommen, was schwere VERLETZUNGEN zur Folge haben kann.
- Führen Sie niemals einen Schiebeschnitt aus, wenn der Handgriff durch Drücken des Anschlagstifts in der Tiefstellung verriegelt ist.
- Lösen Sie niemals den Sicherungsknopf des Schlittens bei rotierendem Sägeblatt. Es kann sonst zu schweren Verletzungen kommen.

3. Gehrungsschnitt

Nehmen Sie auf den vorherigen Abschnitt "Einstellen des Gehrungswinkels" Bezug.

4. Neigungsschnitt (Abb. 43)

Lösen Sie den Hebel, und neigen Sie das Sägeblatt auf den gewünschten Neigungswinkel (siehe den obigen Abschnitt "Einstellen des Neigungswinkels"). Ziehen Sie den Hebel unbedingt fest an, um den eingestellten Neigungswinkel einwandfrei zu sichern. Spannen Sie das Werkstück mit einem Schraubstock ein. Vergewissern Sie sich, dass der Schlitten ganz in Richtung der Bedienungsperson zurückgezogen ist. Schalten Sie die Maschine ein, ohne dass das Sägeblatt Kontakt hat, und warten Sie, bis es seine volle Drehzahl erreicht. Senken Sie dann den Handgriff unter Druckausübung in Richtung des Sägeblatts sachte bis zur Tiefstellung ab, und SCHIEBEN SIE DEN SCHLITTEN AUF DEN GEHRUNGSANSCHLAG ZU, UM DAS WERKSTÜCK ZU SCHNEIDEN. Sobald der Schnitt beendet ist, schalten Sie die Maschine aus, und WARTEN SIE, BIS DAS SÄGEBLATT ZUM VÖLLIGEN STILLSTAND GEKOMMEN IST, bevor Sie den Sägekopf wieder ganz anheben.

VORSICHT:

- Vergewissern Sie sich stets, dass sich das Sägeblatt während eines Neigungsschnitts in Schrägrichtung senkt. Halten Sie Ihre Hände von der Schnittlinie des Sägeblatts fern.
- Bei Neigungsschnitten kann es vorkommen, dass das abgeschnittene Stück an der Seitenfläche des Sägeblatts aufliegt. Durch Anheben des Sägekopfes bei noch laufender Maschine kann das Werkstück vom Sägeblatt erfasst werden, was zu gefährlichem Heraus-schleudern von Bruchstücken führen kann. Der Sägekopf darf erst angehoben werden, nachdem das Sägeblatt zum völligen Stillstand gekommen ist.
- Wenn Sie den Handgriff niederdrücken, üben Sie den Druck parallel zum Sägeblatt aus. Falls eine Kraft senkrecht zum Drehteller ausgeübt oder die Druckrichtung während eines Schnitts geändert wird, kann die Genauigkeit des Schnitts beeinträchtigt werden.
- Stellen Sie den Zusatzanschlag bei der Durchführung von Neigungsschnitten immer auf die linke Position.

5. Compoundsschnitt

Unter Compoundsschnitt versteht man das Schneiden eines Werkstücks mit gleichzeitiger Gehrungs- und Neigungswinkeleinstellung. Die Kombinationsmöglichkeiten entnehmen Sie bitte der nachstehenden Tabelle.

Gehrungswinkel	Neigungswinkel
Links 0° – 47°, Rechts 0° – 45°	Links und Rechts 0° – 45°
Rechts 52°	Links 0° – 40° und Rechts 0° – 45°

Bei linksseitiger Gehrungswinkeleinstellung unter 45° und linksseitiger Neigungswinkeleinstellung von 45° können Werkstücke bis 50 mm Höhe und 200 mm Breite geschnitten werden.

Bei rechtsseitiger Gehrungswinkeleinstellung unter 45° und linksseitiger Neigungswinkeleinstellung von 45° können Werkstücke bis 50 mm Höhe und 215 mm Breite geschnitten werden.

Bei einem links- und rechtsseitigen Gehrungswinkel von 45° und einem rechtsseitigen Neigungswinkel von 45° können Werkstücke bis zu 31 mm Höhe und 215 mm Breite geschnitten werden.

Zum Doppelgehrungsschnitt beachten Sie außerdem die Hinweise unter "Kappschnitt", "Schiebeschnitt", "Gehrungsschnitt" und "Neigungsschnitt".

6. Schneiden von Aluminium-Strangpressprofilen

Verwenden Sie zum Einspannen von Aluminium-Strangpressprofilen Distanzblöcke oder Abfallholzstücke, wie in **Abb. 44** gezeigt, um eine Verformung des Aluminiums zu vermeiden. Verwenden Sie Schneidflüssigkeit zum Schneiden von Aluminium-Strangpressprofilen, um die Ablagerung von Aluminium-Rückständen am Sägeblatt zu verhüten.

VORSICHT:

- Versuchen Sie niemals, dicke oder runde Aluminium-Strangpressprofile zu schneiden. Dicke Aluminium-Strangpressprofile können sich während der Arbeit lösen, und runde Aluminium-Strangpressprofile lassen sich mit dieser Maschine nicht einwandfrei einspannen. (**Abb. 45**)

7. Nutenschneiden (Abb. 46)

Ein Dado-Schnitt kann folgendermaßen ausgeführt werden: Stellen Sie die untere Grenzposition des Sägeblatts mit der Einstellschraube und dem Anschlagarm ein, um die Schnitttiefe des Sägeblatts zu begrenzen. Nehmen Sie auf den obigen Abschnitt "Anschlagarm" Bezug. Nachdem Sie die untere Grenzposition des Sägeblatts eingestellt haben, schneiden Sie mittels Schiebeschnitt parallele Nuten über die Breite des Werkstücks, wie in der Abbildung gezeigt. Heben Sie dann das Werkstückmaterial zwischen den Nuten mit einem Stemmeisen aus. Versuchen Sie nicht, derartige Schnitte mit einem breiten (dicken) Sägeblatt oder einem Dado-Sägeblatt auszuführen. Es kann sonst zu möglichem Verlust der Kontrolle und zu Verletzungen kommen.

VORSICHT:

- Stellen Sie den Anschlagarm unbedingt wieder auf die Ausgangsstellung zurück, wenn Sie andere Schnitte als Nutenschnitte ausführen.

Tragen der Maschine

Vergewissern Sie sich, dass der Netzstecker abgezogen ist. Sichern Sie den Sägekopf in der 0°-Neigungswinkelstellung und den Drehteller ganz in der rechten Gehrungswinkelstellung. Sichern Sie die Gleitstangen, nachdem Sie den Schlitten ganz auf sich zu gezogen haben. Senken Sie den Handgriff ganz ab, und arretieren Sie ihn in der Tiefstellung durch Einschieben des Anschlagstifts. (Abb. 47)

Tragen Sie die Maschine, indem Sie die Grundplatte auf beiden Seiten halten, wie in der Abbildung gezeigt. Die Maschine lässt sich bequemer tragen, wenn Auflagebügel, Staubsack usw. entfernt werden. (Abb. 48)

VORSICHT:

- Sichern Sie stets alle beweglichen Teile, bevor Sie die Maschine tragen.
- Der Anschlagstift ist nur zum Tragen und zur Lagerung, nicht für irgendwelche Schneidarbeiten, vorgesehen.

WARTUNG

VORSICHT:

- Denken Sie vor der Durchführung von Überprüfungen oder Wartungsarbeiten stets daran, die Maschine auszuschalten und vom Stromnetz zu trennen.

WARNUNG:

- Achten Sie stets darauf, dass das Sägeblatt scharf und sauber ist, um die bestmögliche und sicherste Leistung zu erzielen.

Einstellung des Schnittwinkels

Diese Maschine wurde werkseitig sorgfältig eingestellt und justiert, doch grobe Behandlung kann die Justierung beeinträchtigen. Sollte Ihre Maschine einer Nachjustierung bedürfen, gehen Sie folgendermaßen vor:

1. Gehrungswinkel

Schieben Sie den Sägeschlitten in Richtung des Parallelanschlags und sichern Sie ihn durch Anziehen des Schubverriegelungsringes.

Lösen Sie den Spanngriff, mit dem der Drehteller gesichert wird. Drehen Sie dann den Drehteller, so dass der Zeiger auf 0° auf der Gehrungswinkelskala zeigt. Bewegen Sie dann den Drehteller geringfügig nach links und rechts, bis er einwandfrei in der 0°-Gehrungswinkelraste sitzt. (Lassen Sie den Drehteller unverändert, falls der Zeiger nicht auf 0° zeigt.) Lösen Sie die Sechskantschrauben, die den Gehrungsanschlag halten, mit dem Steckschlüssel. (Abb. 49)

Senken Sie den Handgriff ganz ab, und arretieren Sie ihn in der Tiefstellung durch Einschieben des Anschlagstifts. Bringen Sie die Seitenfläche des Sägeblatts mit Hilfe eines Einstelldreiecks, Anschlagwinkels usw. in den rechten Winkel mit der Fläche des Gehrungsanschlags. Ziehen Sie dann die Sechskantschrauben des Gehrungsanschlags von rechts der Reihe nach fest. (Abb. 50)

Vergewissern Sie sich, dass der Zeiger auf 0° auf der Gehrungswinkelskala zeigt. Falls der Zeiger nicht auf 0° zeigt, lösen Sie die Halteschraube des Zeigers, und stellen Sie den Zeiger so ein, dass er auf 0° zeigt. (Abb. 51)

2. Neigungswinkel

1) 0° Neigungswinkel

Schieben Sie den Schlitten auf den Gehrungsanschlag zu, und ziehen Sie den Knopf zur Sicherung des Schlittens an. Senken Sie den Handgriff ganz ab, und arretieren Sie ihn in der Tiefstellung durch Hineindrücken des Anschlagstifts. Lösen Sie den Hebel auf der Rückseite der Maschine. Vergewissern Sie sich, dass der Arm verriegelt ist. (Abb. 52)

Drehen Sie die Sechskantschraube auf der linken Seite des Arms um zwei bis drei Umdrehungen entgegen dem Uhrzeigersinn. Drehen Sie die Sechskantschraube auf der rechten Seite des Arms um zwei bis drei Umdrehungen entgegen dem Uhrzeigersinn, um das Sägeblatt nach links zu neigen. (Abb. 53)

Richten Sie die Seite des Sägeblatts mit Hilfe eines Einstelldreiecks, Anschlagwinkels usw. sorgfältig im rechten Winkel zur Oberseite des Drehtellers aus, indem Sie die Sechskantschraube auf der rechten Seite des Arms im Uhrzeigersinn drehen. Drehen Sie die Sechskantschraube auf der linken Seite des Arms bis zum Anschlag im Uhrzeigersinn. Ziehen Sie dann den Hebel fest an. (Abb. 54)

Beide Pfeile am Schwenkarm sind nach der korrekten Vergewissern Sie sich, dass die beiden Zeiger am Arm jeweils auf 0° der Neigungswinkelskala am Armhalter zeigen. Falls die Zeiger nicht auf 0° zeigen, lösen Sie die Halteschrauben der Zeiger, und stellen Sie diese so ein, dass sie auf 0° zeigen. (Abb. 55)

2) 45°-Neigungswinkel (Abb. 56)

Diese Einstellung kann erst nach erfolgter Einstellung des 0°-Neigungswinkels durchgeführt werden. Zum Einstellen des linksseitigen 45°-Neigungswinkels lösen Sie den Hebel und neigen das Sägeblatt ganz nach links. Vergewissern Sie sich, dass der Zeiger am Hilfsarm auf 45° der Neigungswinkelskala am Armhalter zeigt. Falls der Zeiger nicht auf 45° zeigt, drehen Sie die 45°-Neigungswinkel-Einstellschraube auf der Seite des Armhalters, bis der Zeiger auf 45° zeigt.

Zum Einstellen des rechtsseitigen 45°-Neigungswinkels wenden Sie das oben beschriebene Verfahren an.

Einstellung für reibungslose Neigungsverstellung (Abb. 57)

Die Sechskant-Sicherungsmutter, die Arm und Armhalter zusammenhält, ist werkseitig so eingestellt worden, dass eine reibungslose Neigungsverstellung gewährleistet und genaues Schneiden garantiert wird. Lassen Sie diese Mutter unverändert. Sollte sich Lockerheit an der Verbindung von Arm und Armhalter bemerkbar machen, ziehen Sie die Sechskant-Sicherungsmutter mit einem Schraubenschlüssel an.

Einstellen der Position der Laserlinie (Abb. 58 und 59)

Nur für Modell LS1013L, LS1013FL

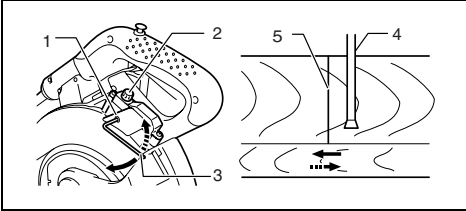
WARNUNG:

- Da die Maschine beim Einstellen der Laserlinienposition am Stromnetz angeschlossen ist, lassen Sie äußerste Vorsicht walten, besonders bei Schalterbetätigung. Durch versehentliche Betätigung des Ein-Aus-Schalters kann die Maschine ungewollt eingeschaltet werden, was Verletzungen zur Folge haben kann.

VORSICHT:

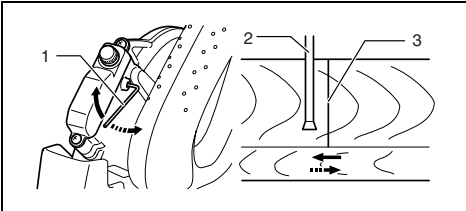
- Blicken Sie auf keinen Fall direkt in den Laserstrahl. Der direkte Laserstrahl verursacht Sehschäden.
- Setzen Sie die Maschine keinen Schlägen oder Stößen aus. Ein Schlag oder Stoß kann eine Verstellung der Laserlinie, eine Beschädigung der Laseroptik oder eine Verkürzung der Lebensdauer der Maschine zur Folge haben.

Verschieben der Laserlinie zur linken Seite des Sägeblatts



- 1 Schraube zum Verstellen des Einstellschrauben-Bewegungsbereichs
- 2 Einstellschraube
- 3 Inbusschlüssel
- 4 Laserlinie
- 5 Sägeblatt

Verschieben der Laserlinie zur rechten Seite des Sägeblatts



- 1 Schraube zum Verstellen des Einstellschrauben-Bewegungsbereichs
- 2 Sägeblatt
- 3 Laserlinie

Gehen Sie für beide Einstellungen folgendermaßen vor.

1. Vergewissern Sie sich, dass der Netzstecker abgezogen ist.
2. Zeichnen Sie die Schnittlinie auf dem Werkstück an, und legen Sie das Werkstück auf den Drehteller. Spannen Sie dabei das Werkstück nicht mit einem Schraubstock oder einer ähnlichen Klemmvorrichtung ein.
3. Senken Sie das Sägeblatt durch Niederdrücken des Handgriffs ab, um lediglich die Lage der Schnittlinie und die Position des Sägeblatts zu überprüfen. (Legen Sie die Schnittposition auf der Schnittlinie fest.)
4. Nachdem Sie die Schnittposition festgelegt haben, bringen Sie den Handgriff wieder in seine Ausgangsstellung. Sichern Sie das Werkstück mit dem Vertikal-Schraubstock, ohne es aus der vorgeprüften Position zu bringen.
5. Schließen Sie die Maschine an das Stromnetz an, und schalten Sie den Laserschalter ein.

6. Stellen Sie die Position der Laserlinie wie folgt ein. Die Position der Laserlinie kann innerhalb des Verstellbereichs der Laser-Einstellschraube verschoben werden, indem zwei Schrauben mit einem Inbusschlüssel gedreht werden. (Der Verstellbereich der Laserlinie wurde werksseitig auf 1 mm von der Seitenfläche des Sägeblatts eingestellt.)

Um den Verstellbereich der Laserlinie weiter von der Seitenfläche des Sägeblatts zu verlagern, drehen Sie die zwei Schrauben entgegen dem Uhrzeigersinn, nachdem Sie die Einstellschraube gelöst haben. Drehen Sie diese beiden Schrauben im Uhrzeigersinn, um die Laserlinie näher an die Seitenfläche des Sägeblatts heranzubringen, nachdem Sie die Einstellschraube gelöst haben. Nehmen Sie auf den Abschnitt "Laserstrahlbenutzung" Bezug, und stellen Sie die Einstellschraube so ein, dass sich die Schnittlinie auf Ihrem Werkstück mit der Laserlinie deckt.

HINWEIS:

- Überprüfen Sie die Genauigkeit der Laserlinienposition regelmäßig.
- Lassen Sie die Maschine von einer autorisierten Makita-Kundendienststelle reparieren, falls eine Störung der Lasereinheit vorliegt.

Reinigen der Laserlinse (Abb. 60 und 61)

Nur für Modell LS1013L, LS1013FL

Falls die Laserlinse schmutzig wird oder Sägemehl an ihr haftet, so dass die Laserlinie schlecht erkennbar ist, trennen Sie die Säge vom Stromnetz, entfernen Sie die Laserlinse, und reinigen Sie sie sorgfältig mit einem feuchten, weichen Tuch. Verwenden Sie keine Lösungsmittel oder Reinigungsmittel auf Petroleumbasis zum Reinigen der Linse.

Um die Laserlinse zu entfernen, muss zuvor das Sägeblatt gemäß den Anweisungen im Abschnitt "Montieren und Demontieren des Sägeblatts" demontiert werden. Lösen Sie die Halteschraube der Linse mit einem Schraubenzieher, ohne sie ganz zu entfernen. Ziehen Sie die Linse heraus, wie in der Abbildung gezeigt.

HINWEIS:

- Falls sich die Linse nicht abnehmen lässt, lösen Sie die Schraube etwas mehr, und versuchen Sie erneut, die Linse herauszuziehen, ohne die Schraube zu entfernen.

Auswechseln der Leuchtstoffröhre (Abb. 62)

Nur für Modell LS1013F, LS1013FL

VORSICHT:

- Vergewissern Sie sich vor dem Auswechseln der Leuchtstoffröhre stets, dass die Maschine ausgeschaltet und vom Stromnetz getrennt ist.
- Schützen Sie die Leuchtstoffröhre vor Druck, Stößen oder Kratzern, die das Glas der Leuchtstoffröhre zum Zerbrechen bringen können, wodurch Sie oder Umstehende verletzt werden können.
- Da die Leuchtstoffröhre unmittelbar nach dem Betrieb noch heiß ist, lassen Sie sie eine Zeitlang abkühlen, bevor Sie sie auswechseln. Anderenfalls können Sie sich verbrennen.

Entfernen Sie die Schrauben, mit denen das Lampengehäuse gesichert ist. Ziehen Sie das Lampengehäuse heraus, während Sie leichten Druck auf die Oberseite ausüben, wie in **Abb. 62** gezeigt.

Ziehen Sie die Leuchtstofflampe heraus, und ersetzen Sie sie durch ein neues Makita-Originalteil.

Auswechseln der Kohlebürsten (Abb. 63 und 64)

Die Kohlebürsten müssen regelmäßig entfernt und überprüft werden. Wenn sie bis zur Verschleißgrenze abgenutzt sind, müssen sie erneuert werden. Halten Sie die Kohlebürsten stets sauber, damit sie ungehindert in den Haltern gleiten können. Beide Kohlebürsten sollten gleichzeitig erneuert werden. Verwenden Sie nur identische Kohlebürsten.

Drehen Sie die Bürstenhalterkappen mit einem Schraubendreher heraus. Nehmen Sie die abgenutzten Kohlebürsten heraus, setzen Sie die neuen ein, und drehen Sie dann die Bürstenhalterkappen wieder ein.

Nach dem Gebrauch

- Wischen Sie nach dem Gebrauch an der Maschine haftende Späne und Staub mit einem Tuch oder dergleichen ab. Halten Sie die "Schutzhaube" gemäß den Anweisungen im vorhergehenden Abschnitt "Schutzhaube" sauber. Schmieren Sie die Gleitteile der Maschine mit Öl, um Rostbildung zu verhüten.
- Den Sägekopf zur Lagerung der Maschine nach vorne ziehen, um die Linearführungen im Drehteller zu schützen.

Um die SICHERHEIT und ZUVERLÄSSIGKEIT dieses Produkts zu gewährleisten, sollten Reparaturen und andere Wartungs- oder Einstellarbeiten nur von Makita-Vertragswerkstätten oder Makita-Kundendienstzentren unter ausschließlicher Verwendung von Makita-Originalersatzteilen ausgeführt werden.

ZUBEHÖR

VORSICHT:

- Die folgenden Zubehörteile oder Vorrichtungen werden für den Einsatz mit der in dieser Anleitung beschriebenen Makita-Maschine empfohlen. Die Verwendung anderer Zubehörteile oder Vorrichtungen kann eine Verletzungsgefahr darstellen. Verwenden Sie Zubehörteile oder Vorrichtungen nur für ihren vorgesehenen Zweck.

Wenn Sie weitere Einzelheiten bezüglich dieser Zubehörteile benötigen, wenden Sie sich bitte an Ihre Makita-Kundendienststelle.

- Stahl- und hartmetallbestückte Sägeblätter
- Staubsack
- Zusatzanschlag R
- Kniestück
- Schraubstockeinheit (Horizontal-Schraubstock)
- Einstelldreieck
- Vertikal-Schraubstock
- Einschaltsperrknopf (2 Stück)
- Steckschlüssel 13
- Einlegeplatte
- Auflagebügel
- Leuchtstofflampe (Für LS1013F, LS1013FL)
- Inbusschlüssel (Für LS1013L, LS1013FL)


Visione generale

1 Perno di fermo	33 Cassa della lama	65 Squadra triangolare
2 Bullone	34 Freccia	66 Vite
3 Protezione della lama	35 Fermo della'albero	67 Scala di 45°
4 Manopola	36 Flange interna	68 Indice
5 Piano di taglio	37 Mandrino	69 Scala di taglio a unghia
6 Lama	38 Anello	70 Indice
7 Denti della lama	39 Flange esterna	71 Supporto bracci
8 Taglio a unghia sinistro	40 Bullone esagonale (sinistrorso)	72 Bullone di registro angolo di taglio a unghia di 45° destro
9 Taglio diritto	41 Bocchettone segatura	73 Bullone di registro angolo di taglio a unghia di 45° sinistro
10 Taglio a unghia destro	42 Sacchetto segatura	74 Controdado esagonale
11 Bullone di registro	43 Chiusura	75 Blocco di taglio
12 Base girevole	44 Supporto	76 Pezzo
13 Superficie superiore della base girevole	45 Base girevole	77 Linea di taglio
14 Periferia della lama	46 Guida secondaria	78 Morsa verticale
15 Guida pezzo	47 Guida pezzo secondaria R	79 Cacciavite
16 Vite di regolazione	48 Viti	80 Vite (un pezzo soltanto)
17 Braccio di fermo	49 Braccio della morsa	81 Lente lampadina laser
18 Leva di bloccaggio	50 Asta della morsa	82 Segno limite
19 Impugnatura	51 Vite	83 Tappo portaspazzole
20 Indice	52 Manopola morsa	84 Lampada
21 Scala di taglio a quartabuono	53 Guida pezzo	85 Interruttore lampada
22 Leva	54 Piastra morsa	86 Tirar fuori
23 Braccio	55 Dado morsa	87 Spingere
24 Scala di taglio a unghia	56 Supporto	88 Scatola lampada
25 Bottone di sblocco	57 Manopola	89 Viti
26 Grilletto interruttore	58 Morsa	90 Tubo fluorescente
27 Manico	59 Blocco distanziatore	91 Scatola polvere
28 Interruttore laser	60 Estrusione di alluminio	92 Coperchio
29 Chiave a bussola	61 Blocco distanziatore	93 Bottone
30 Supporto	62 Morsa orizzontale (accessorio opzionale)	94 Parte cilindro
31 Coperchio centrale	63 Scanalature di taglio con lama	95 Segatura
32 Bullone esagonale	64 Bullone esagonale	

DATI TECNICI

Modello	LS1013/LS1013F/LS1013L/LS1013FL
Diametro lama.....	250 – 260 mm
Diametro foro	
Modello per i paesi extraeuropei	25,4 mm e 25 mm
Modello per l'Europa	30 mm
Capacità massima di taglio (A x L) con lama di 260 mm di diametro	

Angolo di taglio a quartabuono	Angolo di taglio a unghia		
	45° (sinistro)	0°	45° (destro)
0°	50 mm x 310 mm	91 mm x 310 mm	31 mm x 310 mm
45° (destro e sinistro)	(sinistro) 50 mm x 200 mm (destro) 50 mm x 220 mm	91 mm x 220 mm	31 mm x 220 mm
52° (destro)	—	91 mm x 190 mm	—

Velocità senza carico (min ⁻¹)	3.700
Tipo laser (LS1013L/LS1013FL soltanto).....	Laser rosso 650 nm, <1mW (Classe laser 2)
Dimensioni (L x A x P)	
LS1013/LS1013F	715 mm x 520 mm x 625 mm
LS1013L/LS1013FL	715 mm x 520 mm x 640 mm
Peso netto	
LS1013/LS1013F	21 kg
LS1013L/LS1013FL	22 kg
Classe di sicurezza	

- Per il nostro programma di ricerca e sviluppo continui, i dati tecnici sono soggetti a modifiche senza avviso.
- Nota: I dati tecnici potrebbero differire a seconda del Paese di destinazione del modello.

Utilizzo previsto

Questo utensile serve ai tagli diritti e a quartabuono di precisione del legno. Usando le lame appropriate, si può anche tagliare l'alluminio.

Alimentazione

L'utensile deve essere collegato a una presa di corrente con la stessa tensione indicata sulla targhetta del nome, e può funzionare soltanto con la corrente alternata monofase. Esso ha un doppio isolamento conforme alle norme europee, e può perciò essere collegato alle prese di corrente sprovviste della messa a terra.

Consigli per la sicurezza

Per la vostra sicurezza, riferitevi alle accluse istruzioni per la sicurezza.

REGOLE ADDIZIONALI DI SICUREZZA

1. **Portare gli occhiali di protezione.**
2. **Tenere le mani fuori dal percorso della lama.** Evitare il contatto con la lama durante il moto inerziale, perché può ancora causare lesioni gravi.
3. **Non usare la lama senza le protezioni in posizione.**
Controllare che la protezione della lama si chiuda correttamente ogni volta prima di usare l'utensile. Non usare la sega se la protezione non si muove liberamente e non si chiude istantaneamente. Mai bloccare la protezione della lama in posizione di apertura.
4. **Non eseguire alcuna operazione senza tenere saldamente l'utensile.** Il pezzo deve essere fissato saldamente contro la base girevole e la guida pezzo mediante la morsa durante tutte le operazioni. Mai tenerlo fermo con la mano.
5. **Mai avvicinare le mani alla lama in movimento.**
6. **Spegnere l'utensile e aspettare che la lama si sia fermata prima di spostare il pezzo o di cambiare le regolazioni.**
7. **Staccare il cavo di alimentazione dalla presa di corrente prima di cambiare lama o di un intervento di manutenzione.**
8. **Fissare sempre tutte le parti mobili prima di trasportare l'utensile.**
9. **Il perno di fermo che blocca giù la testa troncatrice serve al trasporto e deposito soltanto, e non per le operazioni di taglio.**
10. Non usare l'utensile dove ci sono liquidi o gas infiammabili.
11. Controllare con cura che sulla lama non ci siano crepe od altri danni prima di cominciare il lavoro. Sostituire immediatamente la lama se ci sono crepe od altri danni.
12. Usare esclusivamente le flange specificate per questo utensile.
13. Fare attenzione a non danneggiare l'albero, le flange (soprattutto la superficie di installazione) o il bullone. Se queste parti sono danneggiate, la lama potrebbe rompersi.
14. Accertarsi che la base giravole sia fissata saldamente in modo che non si muova durante il lavoro.
15. Per motivi di sicurezza, rimuovere dalla superficie superiore della tavola i trucioli, pezzetti di materiale, ecc., prima di cominciare il lavoro.
16. Evitare di tagliare chiodi. Prima di cominciare il lavoro, controllare e togliere i chiodi dal pezzo.
17. Prima di accendere l'utensile, accertarsi di aver rilasciato il fermo dell'albero.

18. Accertarsi che la lama non faccia contatto con la base girevole nella posizione più bassa.
19. Tenere saldamente l'utensile per il manico. Tenere presente che esso si muove leggermente in su o in giù durante l'avviamento o l'arresto.
20. Accertarsi che la lama non sia a contatto con il pezzo prima di accendere l'utensile.
21. Prima di usare l'utensile, lasciarlo girare per qualche momento. Accertarsi che non ci siano vibrazioni o movimenti strani che potrebbero indicare il montaggio o bilanciamento imperfetto della lama.
22. Aspettare che la lama abbia raggiunto la velocità massima prima di cominciare a tagliare.
23. Interrompere immediatamente il lavoro se si nota qualcosa di anormale.
24. Non cercare di bloccare l'interruttore nella posizione di accensione.
25. Stare sempre all'erta, soprattutto durante le operazioni ripetitive e monotone. Non lasciarsi mai indurre a un falso senso di sicurezza. Le lame non perdono.
26. Usare sempre gli accessori raccomandati in questo manuale. L'uso di accessori inadatti, come le ruote abrasive, potrebbe causare lesioni.
27. **Non usare l'utensile per tagliare materiali che non siano il legno, l'alluminio ed altri simili.**
28. Prima di usare la sega a quartabuono, collegarla a un dispositivo di raccolta della segatura.
29. Selezionare le lame adatte al materiale da tagliare.
30. Fare attenzione quando si eseguono stozzature.
31. Sostituire il piano di taglio se usurato.
32. **Non usare lame fabbricate con acciaio ad alta velocità.**
33. **La polvere causata dall'utilizzo contiene sostanze chimiche che possono causare il cancro, difetti di nascita od altri danni agli organi di riproduzione. Alcuni tipi di questi materiali sono:**
 - piombo da pittura a base di piombo
 - arsenico e cromo da legname trattato chimicamente.**Il rischio dall'esposizione a queste sostanze varia secondo la frequenza di questo tipo di lavoro. Per ridurre l'esposizione a queste sostanze chimiche: lavorare in un ambiente ben ventilato con l'attrezzatura di sicurezza specificata, come le mascherine antipolvere progettate specialmente per il filtraggio delle particelle microscopiche.**
34. **Per ridurre il rumore emesso, accertarsi sempre che le lame usate siano affilate e pulite.**
35. **L'operatore deve essere adeguatamente addestrato all'utilizzo, regolazione e funzionamento dell'utensile.**
36. **Usare correttamente le lame affilate. Rispettare la velocità massima indicata sulle lame stesse.**
37. **Non rimuovere le parti tagliate od altre parti del pezzo dall'area di taglio mentre l'utensile sta funzionando e la testa della sega non si trova sulla posizione di riposo.**

CONSERVARE QUESTE ISTRUZIONI

INSTALLAZIONE

Montaggio sul banco di lavoro

Al momento della spedizione, il manico dell'utensile viene bloccata nella posizione più bassa con il perno di fermo. Rilasciare il perno di fermo abbassando leggermente l'impugnatura e tirando il perno di fermo. (Fig. 1) Questo utensile deve essere fissato con quattro bulloni a una superficie piana e stabile, usando i fori per bulloni sulla base dell'utensile. Ciò aiuta a impedire il suo rovesciamento con pericolo di lesioni. (Fig. 2)

DESCRIZIONE DEL FUNZIONAMENTO

ATTENZIONE:

- Accertarsi sempre che l'utensile sia spento e staccato dalla presa di corrente prima di regolare o controllare le sue funzioni.

Protezione della lama (Figg. 3 e 4)

Quando si abbassa il manico, la protezione della lama si solleva automaticamente. La protezione torna sulla sua posizione originale quando si solleva il manico al completamento del taglio. **MAI RENDERE INUTILIZZABILE O RIMUOVERE LA PROTEZIONE LAMA O LA MOLLA ATTACATA ALLA PROTEZIONE.**

Per la propria sicurezza, mantenere sempre la protezione della lama in buone condizioni. Qualsiasi irregolarità di funzionamento della protezione della lama va corretta immediatamente. Accertarsi che la carica della molla azioni la protezione della lama. **MAI USARE L'UTENSILE CON LA PROTEZIONE DELLA LAMA O LA MOLLA DANNEGGIATA, DIFETTOSA O RIMOSSA. CIÒ È ESTREMAMENTE PERICOLOSO E POTREBBE CAUSARE LESIONI GRAVI.**

Se la protezione trasparente della lama diventa sporca, oppure se la segatura vi rimane attaccata in modo che la lama o il pezzo non sono più visibili, staccare la sega dalla presa di corrente e pulire accuratamente la protezione con un panno bagnato. Non usare solventi o pulitori a base di benzina sulla protezione di plastica.

Se la protezione della lama è particolarmente sporca e ostacola la visione, usare la chiave a bussola in dotazione per svitare il bullone esagonale che fissa il coperchio centrale.

Svitare il bullone esagonale girandolo in senso antiorario e sollevare la protezione della lama e il coperchio centrale. Con la protezione così posizionata è possibile una pulizia più completa ed efficiente. Al completamento della pulizia, usare il procedimento opposto per fissare il bullone. Non rimuovere la molla che fissa la protezione. Se la protezione si scolorisce con l'uso o per l'esposizione alla lampada a raggi ultravioletti, rivolgersi al centro di assistenza Makita per la sua sostituzione. **NON BISOGNA RENDERE INOPERANTE O RIMUOVERE LA PROTEZIONE.**

Posizionamento del piano di taglio (Figg. 5 e 6)

Questo utensile è dotato di piani di taglio nella base girevole, per minimizzare la frammentazione sul lato d'uscita del taglio. I piani di taglio sono stati regolati in fabbrica in modo che la lama non faccia contatto con essi. Prima di procedere, regolare i piani di taglio come segue:

Staccare per prima cosa l'utensile dalla presa di corrente. Allentare tutte le viti (2 su ciascun lato destro e sinistro) che fissano i piani di taglio. Stringerle di nuovo soltanto in modo che i piani di taglio possano essere facilmente mossi a mano. Abbassare completamente il manico e spingere dentro il perno di fermo per bloccare il manico in posizione abbassata. Allentare la manopola che fissa i poli di scorrimento. Tirare completamente il carrello verso di sé. Regolare i piani di taglio in modo che facciano appena contatto con i fianchi dei denti della lama. Stringere le viti anteriori (non stringerle saldamente). Spingere completamente il carrello verso la guida pezzo e regolare i piani di taglio in modo che facciano appena contatto con i fianchi dei denti della lama. Stringere le viti posteriori (non stringerle saldamente). Dopo aver regolato i piani di taglio, rilasciare il perno di fermo e sollevare il manico. Stringere poi saldamente tutte le viti.

ATTENZIONE:

- Prima e dopo aver cambiato l'angolo di taglio a unghia, regolare sempre i piani di taglio come descritto sopra.

Preservazione della capacità massima di taglio (Figg. 7 e 8)

Prima di qualsiasi regolazione, staccare il cavo di alimentazione dalla presa di corrente. L'utensile è stato regolato in fabbrica in modo da fornire la massima capacità di taglio con le lame di 255 mm.

Quando si installa una nuova lama, controllare sempre la posizione del suo limite inferiore e, se necessario, regolarla come segue:

Staccare per prima cosa il cavo di alimentazione dalla presa di corrente. Spingere completamente il carrello verso la guida pezzo e abbassare completamente l'impugnatura. Usare la chiave a bussola per girare il bullone di registro finché la periferia della lama si estende leggermente sotto la superficie superiore della base girevole sul punto in cui la faccia anteriore della guida pezzo incontra la superficie della base girevole.

Con il cavo di alimentazione staccato dalla presa di corrente, ruotare a mano la lama tenendo completamente abbassata il manico per accertarsi che la lama non faccia contatto con una qualsiasi parte della base inferiore. Regolare di nuovo leggermente se necessario.

ATTENZIONE:

- Dopo aver installato una nuova lama, accertarsi che non faccia contatto con una qualsiasi parte della base inferiore quando si abbassa completamente il manico. Fare sempre ciò con il cavo di alimentazione staccato dalla presa di corrente.

Braccio di fermo (Fig. 9)

La posizione del limite inferiore della lama può essere regolata facilmente con il braccio di fermo. Per regolarla, ruotare il braccio di fermo nella direzione della freccia, come mostrato in figura. Regolare la vite di regolazione in modo che la lama si fermi sulla posizione desiderata quando si abbassa completamente il manico.

Regolazione dell'angolo di taglio a quartabuono (Fig. 10)

Allentare l'impugnatura girandola in senso antiorario. Girare la base girevole premendo giù la leva di bloccaggio. Dopo aver spostato l'impugnatura sulla posizione in cui l'indice è puntato sull'angolo desiderato della scala di taglio a quartabuono, fissare saldamente l'impugnatura girandola in senso orario.

ATTENZIONE:

- Girando la base girevole, sollevare completamente il manico.
- Dopo aver cambiato l'angolo di taglio a quartabuono, fissare sempre la base girevole stringendo saldamente l'impugnatura.

Regolazione dell'angolo di taglio a unghia (Figg. 11 e 12)

Per regolare l'angolo di taglio a unghia, allentare la leva sulla parte posteriore dell'utensile girandola in senso antiorario.

Inclinare la lama finché l'indice indica l'angolo desiderato sulla scala di taglio a unghia. Stringere poi saldamente la leva girandola in senso orario per fissare il braccio.

ATTENZIONE:

- Quando si solleva la lama, sollevare completamente il manico.
- Dopo aver cambiato l'angolo di taglio a unghia, fissare sempre il braccio stringendo la leva in senso orario.
- Per cambiare gli angoli di taglio a unghia, posizionare correttamente i piani di taglio come descritto nella sezione "Posizionamento del piano di taglio".

Azionamento dell'interruttore

ATTENZIONE:

- Prima di collegare il cavo di alimentazione alla presa di corrente, controllare sempre che il grilletto dell'interruttore funzioni correttamente e che torni sulla posizione "OFF" quando viene rilasciato.
- Quando non si usa l'utensile, rimuovere il bottone di sblocco e conservarlo in un posto sicuro. Ciò impedisce l'uso non autorizzato dell'utensile.
- Non schiacciare con forza il grilletto dell'interruttore senza premere dentro il bottone di sblocco. Ciò potrebbe causare la rottura dell'interruttore.

Modello per i Paesi europei (Fig. 13)

Per evitare di schiacciare accidentalmente il grilletto dell'interruttore, l'utensile è dotato di un bottone di sblocco.

Per avviarlo, spingere la leva a sinistra, premere il bottone di sblocco e schiacciare poi l'interruttore. Rilasciare il grilletto dell'interruttore per fermarlo.

Modello per i Paesi extraeuropei (Fig. 14)

Per evitare di schiacciare accidentalmente il grilletto dell'interruttore, l'utensile è dotato di un bottone di sblocco. Per avviare l'utensile, premere dentro il bottone di sblocco e schiacciare l'interruttore. Rilasciare il grilletto dell'interruttore per fermarlo.

ATTENZIONE:

- MAI usare l'utensile quando il grilletto dell'interruttore non è completamente funzionale. L'utensile con il grilletto dell'interruttore difettoso è **ESTREMAMENTE PERICOLOSO** e deve essere riparato prima dell'uso.

- Per la sicurezza dell'operatore, l'utensile è dotato di un bottone di sblocco che ne impedisce l'avvio accidentale. MAI usare l'utensile se esso si avvia quando si schiaccia semplicemente il grilletto dell'interruttore senza premere il bottone di sblocco. Portare l'utensile al centro di assistenza Makita per la riparazione prima di continuare a usarlo.
- MAI usare del nastro adesivo per fissare il bottone di sblocco premuto, o renderne inutile lo scopo e la funzione.

Accensione della lampada (Fig. 15 e 16)

Modello LS1013F, LS1013FL soltanto

ATTENZIONE:

- Questa lampada non è impermeabile. Non lavarla con acqua e non usarla sotto la pioggia o in luoghi bagnati. Ciò potrebbe causare scosse elettriche e fumo.
- Non toccare il vetro della lampada, perché è molto calda quando è accesa o subito dopo che viene spenta. Ciò potrebbe causare bruciature.
- Evitare gli urti alla lampada, perché potrebbero danneggiarla o accorciarne la vita di servizio.
- Evitare di guardare il fascio di luce della lampada, perché potrebbe far male agli occhi.
- Non coprire la lampada con panni, carte, cartoni od altri oggetti simili quando è accesa, perché potrebbero infiammarsi causando un incendio.

Spingere la parte superiore dell'interruttore per accendere la lampada, e la parte inferiore per spegnerla. Spostare la lampada per cambiare l'area illuminata.

NOTA:

- Per togliere lo sporco dal vetro della lampada, usare un panno asciutto. Fare attenzione a non graffiare il vetro, perché ciò potrebbe ridurre l'illuminazione.

Blocco di taglio (accessorio opzionale) (Fig. 17 e 18)

ATTENZIONE:

- Usando il blocco di taglio, tagliare sempre allo stesso angolo di taglio a quartabuono.
- Per cambiare l'angolo di taglio a quartabuono, usare altri blocchi di taglio.
- Mai usare il blocco di taglio per i tagli a unghia. In caso contrario, il blocco potrebbe spaccarsi causando lesioni serie all'operatore.

Usando il blocco di taglio per i tagli a 90°, si può tagliare il pezzo senza schegge sul lato della guida pezzo (l'altezza massima del pezzo può essere di 35 mm). Installare il blocco di taglio sulla guida pezzo mediante le due viti. (Regolare la guida pezzo e il blocco di taglio in modo che le loro due facce vengano a contatto. Stringere poi saldamente le viti.)

Utilizzo del raggio laser

Modello LS1013L, LS1013FL soltanto

ATTENZIONE:

- Mai guardare direttamente il raggio laser. Il raggio laser può danneggiare gli occhi.
- **RADIAZIONE LASER. NON FISSARE IL RAGGIO O GUARDARLO DIRETTAMENTE CON STRUMENTI OTTICI. PRODOTTO LASER DI CLASSE 2M.**

Per accendere il raggio laser, premere la parte superiore (I) dell'interruttore. Premere la parte inferiore (O) per spegnerlo. (Fig. 19)

La linea laser può essere spostata a destra o a sinistra della lama regolando la vite di regolazione come segue. (Fig. 20)

1. Allentare la vite di regolazione girandola in senso antiorario.
2. Con la vite di regolazione allentata, spingerla completamente a destra o a sinistra.
3. Stringere saldamente la vite di regolazione sulla posizione dove smette di scorrere.

La linea laser è stata regolata in fabbrica in modo da essere posizionata entro 1 mm dalla superficie laterale della lama (posizione di taglio).

NOTA:

- Se la linea laser è fioca ed è appena visibile o non si vede a causa della luce diretta del sole lavorando all'interno o all'esterno delle finestre, cambiare l'area di lavoro dove non sia esposta alla luce diretta del sole.

Allineamento della linea laser (Fig. 21)

La linea laser può essere spostata a destra o a sinistra della lama secondo le applicazioni di taglio. Per il modo di spostarla, riferirsi alla spiegazione "Utilizzo del raggio laser."

NOTA:

- Usare uno spessore di legno contro la guida pezzo per allineare la linea di taglio con la linea laser sul lato della guida pezzo nei tagli composti (angolo di taglio a unghia di 45 gradi e angolo di taglio obliquo destro di 45 gradi).
- A) Per ottenere le dimensioni corrette sul lato sinistro del pezzo
 - Spostare la linea laser a sinistra della lama.
 - B) Per ottenere le dimensioni corrette sul lato destro del pezzo
 - Spostare la linea laser a destra della lama.

Allineare la linea di taglio sul pezzo con la linea laser.

MONTAGGIO

ATTENZIONE:

- Accertarsi sempre che l'utensile sia spento e staccato dalla presa di corrente prima di qualsiasi intervento su di esso.

Supporto chiave a bussola (Fig. 22)

La chiave a bussola va riposta come mostrato in figura. Per usare la chiave a bussola, tirarla fuori dal suo supporto. Dopo aver usato la chiave a bussola, rimetterla sul suo supporto.

Installazione o rimozione della lama

ATTENZIONE:

- Accertarsi sempre che l'utensile sia spento e staccato dalla presa di corrente prima di installare o rimuovere la lama.
- Per installare o rimuovere la lama, usare soltanto la chiave a bussola Makita in dotazione. L'impiego di altre chiavi potrebbe causare il serraggio eccessivo o insufficiente del bullone, con pericolo di lesioni.

Bloccare il manico in posizione sollevata spingendo dentro il perno di fermo. (Fig. 23)

Per rimuovere la lama, usare la chiave a bussola per allentare il bullone che fissa il coperchio centrale girandolo in senso antiorario. Sollevare la protezione della lama e il coperchio centrale. (Fig. 24)

Premere il fermo dell'albero per bloccare il mandrino, e usare la chiave a bussola per allentare il bullone esagonale in senso orario. Rimuovere poi il bullone esagonale, la flangia esterna e la lama. (Fig. 25)

Per installare la lama, montarla con cura sul mandrino accertandosi che la freccia sulla superficie della lama sia puntata nella stessa direzione di quella sulla cassa della lama. Installare la flangia esterna e il bullone esagonale, e usare poi la chiave a bussola per stringere saldamente in senso antiorario il bullone esagonale (sinistrorso) premendo allo stesso tempo il fermo dell'albero. (Fig. 26)

Modello per i Paesi extraeuropei

ATTENZIONE:

- L'anello nero con diametro esterno di 25 mm e l'anello argento con diametro esterno di 25,4 mm sono stati installati in fabbrica come mostrato in figura. Usando una lama con un foro di 25 mm di diametro, sostituire l'anello argento con l'anello nero. Prima di montare la lama sul mandrino, accertarsi sempre che tra le flange interna ed esterna sia installato l'anello corretto per il foro dell'albero della lama che si intende usare. (Fig. 27)

Per i Paesi europei

ATTENZIONE:

- L'anello con diametro esterno di 30 mm è stato installato in fabbrica tra le flange interna ed esterna.

Installare la flangia esterna e il bullone esagonale, e usare poi la chiave a bussola per stringere saldamente in senso antiorario il bullone esagonale premendo allo stesso tempo il fermo dell'albero.

Rimettere la protezione della lama e il coperchio centrale sulle loro posizioni originali. Stringere poi in senso orario il bullone esagonale per fissare il coperchio centrale. Rilasciare il manico dalla posizione sollevata tirando il perno di fermo. Abbassare l'impugnatura per accertarsi che la protezione della lama si muova correttamente. Prima di eseguire un taglio, accertarsi che il fermo dell'albero abbia rilasciato il mandrino. (Fig. 28)

Sacchetto segatura (accessorio) (Fig. 29)

L'impiego del sacchetto segatura rende pulite le operazioni di taglio e facilita la raccolta della segatura. Per attaccare il sacchetto segatura, inserire il bocchettone segatura nel foro di scarico segatura sulla cassa della lama e montare l'orifizio d'ingresso del sacchetto sul bocchettone segatura.

Quando il sacchetto segatura è quasi pieno a metà, rimuoverlo dall'utensile e tirar fuori la chiusura. Svotare il sacchetto segatura dandogli dei leggeri colpetti, in modo da rimuovere le particelle attaccate all'interno che potrebbero ostacolare la raccolta ulteriore della segatura.

NOTA:

- Collegando un aspiratore alla sega, si possono eseguire operazioni più efficienti e pulite.

Scatola polvere (accessorio) (Fig. 30, 31 e 32)

Inserire la scatola polvere nel bocchettone segatura. Svotare la scatola polvere quanto più presto possibile. Per svotare la scatola polvere, aprire il coperchio spingendo il bottone e gettar via la polvere. Rimettere il coperchio nella sua posizione originale e bloccarlo. La scatola polvere può essere facilmente rimossa girandola vicino al bocchettone segatura sull'utensile.

NOTA:

- Collegando a questo utensile un aspirapolvere Makita, si possono eseguire operazioni più efficienti e pulite.

ATTENZIONE:

- Svuotare la scatola polvere prima che il livello della polvere raccolta arrivi alla parte del cilindro.

Fissaggio del pezzo

ATTENZIONE:

- È estremamente importante fissare sempre il pezzo correttamente e saldamente con la morsa. In caso contrario, l'utensile potrebbe rimanere danneggiato e/o il pezzo essere distrutto. C'È ANCHE PERICOLO DI LESIONI PER L'OPERATORE. Inoltre, dopo una operazione di taglio, NON sollevare la lama finché non si è fermata completamente.

ATTENZIONE:

- Per tagliare i pezzi lunghi, usare supporti alti quanto il livello della superficie superiore della base girevole. Per fissare il pezzo, non fare affidamento soltanto sulla base verticale e/o orizzontale.

I pezzi sottili tendono a incurvarsi. Supportare il pezzo per l'intera sua lunghezza per evitare che la lama rimanga incastrata, e possibili CONTRACCOLPI. (Fig. 33)

Guida secondaria

Questo utensile è dotato di una guida secondaria. Essa va posizionata come mostrato nella Fig. 34.

Ma per fare il taglio a unghia sinistro, essa deve essere regolata sulla posizione mostrata nella Fig. 35.

ATTENZIONE:

- Per eseguire i tagli a unghia sinistri, inclinare la guida pezzo sopra la posizione sinistra, come mostrato nella Fig. 35. Altrimenti, essa fa contatto con la lama o un'altra parte dell'utensile causando possibili lesioni gravi all'operatore.

Guida pezzo secondaria R (accessorio opzionale) (Fig. 36)

La guida secondaria R può essere installata sul lato destro della guida pezzo. Inserire le aste della guida pezzo secondaria R nei fori della guida pezzo. Per fissare la guida pezzo secondaria, stringere le viti in dotazione alla guida pezzo R.

ATTENZIONE:

- Per eseguire i tagli a unghia destri, non usare mai la guida pezzo secondaria R. Essa fa contatto con la lama o qualche altra parte dell'utensile, causando serie lesioni all'operatore.

Morsa verticale (Fig. 37)

La morsa verticale può essere installata su due posizioni sul lato destro o sinistra della guida pezzo sulla base. Inserire l'asta della morsa nel foro della guida pezzo e stringere la vite sulla parte posteriore della guida pezzo per fissare l'asta della morsa.

Posizionare il braccio della morsa secondo lo spessore e la forma del pezzo, e fissare il braccio stringendo le vite. Se la vite di fissaggio del braccio della morsa fa contatto con la guida pezzo, installare la vite sul lato opposto del braccio. Accertarsi che nessuna parte dell'utensile faccia contatto con la morsa quando si abbassa completamente il manico o si spinge completamente il carrello. Se una parte dovesse fare contatto con la morsa, riposizionare la morsa.

Premere il pezzo a filo contro la guida pezzo e la base girevole. Posizionare il pezzo sulla posizione di taglio desiderata e fissarlo saldamente stringendo la manopola della morsa.

ATTENZIONE:

- Il pezzo deve essere fissato saldamente contro la base girevole e la guida pezzo con la morsa durante tutte le operazioni.

Morsa orizzontale (accessorio opzionale) (Fig. 38 e 39)

La morsa orizzontale può essere installata in due posizioni, su entrambi i lati destro o sinistro della base. Per eseguire tagli a quartabuono di 15° o maggiori, installare la morsa orizzontale sul lato opposto alla direzione in cui girare la base girevole.

Spostando il dado morsa a sinistra, si rilascia la morsa che può essere spostata rapidamente dentro e fuori. Per serrare il pezzo, spingere avanti la manopola morsa finché la piastra morsa fa contatto con il dado morsa a destra. Girare poi la manopola morsa in senso orario per fissare il pezzo.

La larghezza massima del pezzo che può essere fissato alla morsa orizzontale è di 200 mm.

Per installare la morsa orizzontale sul lato destro della base, usare anche la guida pezzo secondaria R per fissare più saldamente il pezzo. Per l'installazione della guida pezzo secondaria R, riferirsi alla sezione "Guida pezzo secondaria R" descritta precedentemente.

ATTENZIONE:

- Regolare sempre il dado morsa completamente a destra per fissare il pezzo. In caso contrario, il pezzo potrebbe non essere fissato sufficientemente. Ciò potrebbe causare l'espulsione del pezzo, danneggiare la lama o causare una perdita di controllo con pericolo di LESIONI PERSONALI.

Supporti (Fig. 40)

I supporti possono essere installati su entrambi i lati, come comodo mezzo per supportare orizzontalmente i pezzi. Inserire le aste dei supporti nei fori della base e regolarne la lunghezza secondo il pezzo da supportare. Stringere poi saldamente i supporti con le viti.

ATTENZIONE:

- Supportare sempre i pezzi lunghi a livello della base girevole, per dei tagli accurati e per evitare una pericolosa perdita di controllo dell'utensile.

FUNZIONAMENTO

ATTENZIONE:

- Prima dell'uso, rilasciare l'impugnatura dalla posizione abbassata tirando il perno di fermo.
- Accertarsi che l'utensile non faccia contatto con il pezzo, ecc., prima di accenderlo.
- Non esercitare una pressione eccessiva sull'impugnatura durante il taglio. La forza eccessiva potrebbe causare un sovraccarico del motore e/o ridurre l'efficienza di taglio. Spingere giù l'impugnatura con la sola forza necessaria per un taglio scorrevole senza notevole riduzione della velocità della lama.
- Premere giù delicatamente l'impugnatura per eseguire il taglio. Se si preme giù l'impugnatura con forza, o se si esercita una pressione laterale, la lama vibra e lascia un segno (segno della lama) sul pezzo, e la precisione del taglio viene compromessa.
- Durante il taglio mobile, spingere delicatamente il carrello verso la guida pezzo senza arrestarsi. Se si arresta il movimento del carrello durante il taglio, sul pezzo da lavorare rimane un segno e la precisione del taglio viene compromessa.

1. Taglio con pressione (per tagliare i piccoli pezzi da lavorare) (Fig. 41)

Si possono tagliare i pezzi da lavorare di un massimo di 91 mm di altezza e di 70 mm di larghezza nel modo seguente.

Spingere completamente il carrello verso la guida pezzo, e stringere la manopola in senso orario per fissarlo. Fissare il pezzo da lavorare con la morsa. Accendere l'utensile senza che la lama faccia contatto con il pezzo, e aspettare finché raggiunge la velocità massima prima di abbassarla. Abbassare poi delicatamente il manico sulla posizione completamente abbassata per tagliare il pezzo. Alla fine del taglio, spegnere l'utensile e ASPETTARE CHE LA LAMA SI FERMI COMPLETAMENTE prima di rimetterla sulla posizione completamente in alto.

ATTENZIONE:

- Stringere saldamente la manopola in senso orario in modo che il carrello non si muova durante il lavoro. Il serraggio insufficiente potrebbe causare un contraccolpo inaspettato della lama. Ciò potrebbe causare serie LESIONI PERSONALI.

2. Taglio con scorrimento (spinta) (taglio dei pezzi larghi) (Fig. 42)

Allentare la manopola in senso antiorario in modo che il carrello possa scivolare liberamente. Fissare il pezzo con la morsa. Tirare completamente il carrello verso di sé. Accendere l'utensile senza che la lama faccia contatto, e aspettare finché essa raggiunge la sua velocità massima. Premere giù il manico e SPINGERE IL CARRELLO VERSO LA GUIDA PEZZO E ATTRAVERSO IL PEZZO. Al completamento del taglio, spegnere l'utensile e ASPETTARE CHE LA LAMA SI SIA FERMATA COMPLETAMENTE prima di rimetterla sulla sua posizione di elevazione massima.

ATTENZIONE:

- Per eseguire i tagli con scorrimento, TIRARE PRIMA COMPLETAMENTE IL CARRELLO VERSO DI SÉ, premere giù il manico sulla posizione completamente abbassata e poi SPINGERE IL CARRELLO VERSO LA GUIDA PEZZO. MAI COMINCIARE IL TAGLIO QUANDO IL CARRELLO NON È TIRATO COMPLETAMENTE VERSO DI SÉ. Se si esegue il taglio con scorrimento senza aver tirato completamente il carrello verso di sé, o se viene eseguito tagliando verso di sé, si potrebbe verificare un inatteso contraccolpo della lama con potenziale pericolo di serie LESIONI PERSONALI.
- Mai eseguire i tagli con scorrimento con il manico bloccato in posizione abbassata premendo il perno di fermo.
- Mai allentare la manopola che fissa il carrello mentre la lama gira. Ciò potrebbe causare serie lesioni personali.

3. Taglio a quartabuono

Riferirsi alla sezione "Regolazione dell'angolo di taglio a quartabuono" descritta precedentemente.

4. Taglio a unghia (Fig. 43)

Allentare la leva e inclinare la lama per regolare l'angolo di taglio a unghia. (Riferirsi alla sezione "Regolazione dell'angolo di taglio a unghia" descritta precedentemente.) Stringere poi di nuovo saldamente la leva con una morsa. Accertarsi che il carrello sia tirato completamente indietro verso di sé. Accendere l'utensile senza che la lama faccia contatto, e aspettare che essa raggiunga la sua velocità massima. Abbassare poi delicatamente il manico completamente esercitando una pressione parallelamente alla lama, e SPINGERE IL CARRELLO VERSO LA GUIDA PEZZO PER TAGLIARE IL PEZZO. Al completamento del taglio spegnere l'utensile e ASPETTARE CHE LA LAMA SI SIA FERMATA COMPLETAMENTE prima di rimetterla sulla sua posizione di elevazione massima.

ATTENZIONE:

- Accertarsi sempre che la lama si abbassi nella direzione di taglio a unghia durante il taglio a unghia. Tenere le mani fuori del percorso della lama.
- Durante il taglio a unghia si potrebbe creare una situazione in cui il pezzo tagliato viene ad appoggiarsi sul fianco della lama. Se si solleva la lama mentre sta ancora girando, il pezzo potrebbe rimanere attaccato alla lama che potrebbe scagliare intorno schegge pericolose. La lama deve essere sollevata SOLTANTO dopo che si è arrestata completamente.
- Quando si preme giù l'impugnatura, esercitare la pressione parallelamente alla lama. Se la si esercita perpendicolarmente alla base girevole, oppure se si cambia la direzione della pressione durante il taglio, la precisione del taglio viene compromessa.
- Per eseguire i tagli a unghia a sinistra, sistemare sempre la guida secondaria a sinistra.

5. Taglio composito

Il taglio composito è quello in cui si esegue un taglio a unghia e un taglio a quartabuono. Il taglio composito può essere eseguito all'angolo indicato nella tabella.

Angolo di taglio a quartabuono	Angolo di taglio a unghia
Sinistro 0° – 47°, destro 0° – 45°	Destro e sinistro 0° – 45°
Destro 52°	Sinistro 0° – 40° e destro 0° – 45°

All'angolo di taglio a quartabuono di 45° a sinistra e all'angolo di taglio a unghia di 45° a sinistra, si possono tagliare pezzi da lavorare di un massimo di 50 mm di altezza e di 200 mm di larghezza.

All'angolo di taglio a quartabuono di 45° a destra e all'angolo di taglio a unghia di 45° a sinistra, si possono tagliare pezzi da lavorare di un massimo di 50 mm di altezza e di 215 mm di larghezza.

All'angolo di taglio a quartabuono di 45° destro e sinistro, si possono tagliare pezzi di un massimo di 31 mm di altezza e di 215 mm di larghezza.

Per eseguire tagli compositi, riferirsi alle spiegazioni di "Taglio con pressione", "Taglio con scorrimento", "Taglio a quartabuono" e "Taglio a unghia".

6. Taglio delle estrusioni di alluminio

Per fissare le estrusioni di alluminio, usare blocchi distanziatori o pezzi di scarto, come mostrato nella Fig. 44, in modo da prevenire la deformazione dell'alluminio. Usare un lubrificante di taglio per evitare che le bave di alluminio si accumulino sulla lama.

ATTENZIONE:

- Mai cercare di tagliare estrusioni di alluminio spesse o rotonde. Le estrusioni spesse potrebbero liberarsi durante il taglio, e non è possibile fissare saldamente le estrusioni di alluminio rotonde con questo utensile. (Fig. 45)

7. Taglio scanalato (Fig. 46)

Si possono eseguire tagli di tipo a zoccolo procedendo come segue: Regolare la posizione del limite inferiore della lama usando la vite di regolazione e il braccio di fermo, per limitare la profondità di taglio della lama. Riferirsi alla sezione "Braccio di fermo" descritta precedentemente.

Dopo aver regolato la posizione di limite inferiore della lama, tagliare scanalature parallele lungo la larghezza del pezzo usando il taglio con scorrimento (spinta), come mostrato in figura. Rimuovere poi il materiale del pezzo tra le scanalature con uno scalpello. Non cercare di eseguire questo tipo di taglio usando lame larghe (spesse) o una lama per zoccoli. C'è pericolo di una perdita di controllo con lesioni.

ATTENZIONE:

- Rimettere il braccio di fermo sulla sua posizione originale quando si eseguono tagli diversi da quelli scanalati.

Trasporto dell'utensile

Accertarsi che l'utensile sia staccato dalla presa di corrente. Fissare la lama all'angolo di taglio a unghia di 0° e girare completamente la base girevole all'angolo di taglio a quartabuono a destra. Fissare i poli di scorrimento dopo aver tirato il carrello completamente verso di sé. Abbassare completamente il manico e fissarlo nella posizione abbassata spingendo dentro il perno di fermo. (Fig. 47)

Trasportare l'utensile tenendo entrambi i lati della base, come mostrato in figura. Rimuovendo i supporti, il sacchetto segatura, ecc., l'utensile può essere trasportato più facilmente. (Fig. 48)

ATTENZIONE:

- Fissare sempre tutte le parti mobili prima di trasportare l'utensile.
- Il perno di fermo serve soltanto al trasporto e al deposito dell'utensile, e non alle operazioni di taglio.

MANUTENZIONE

ATTENZIONE:

- Accertarsi sempre che l'utensile sia spento e staccato dalla presa di corrente prima di qualsiasi intervento di ispezione o di manutenzione.

AVVERTIMENTO:

- Per le prestazioni migliori e la massima sicurezza, accertarsi sempre che la lama sia affilata e pulita.

Regolazione dell'angolo di taglio

L'utensile è stato regolato e allineato accuratamente in fabbrica, ma se non viene trattato con la dovuta cura, potrebbe perdere l'allineamento. Se l'allineamento non è corretto, procedere come segue:

1. Angolo di taglio a quartabuono

Spingere il carrello verso la guida pezzo e stringere la manopola per fissarlo.

Allentare l'impugnatura che fissa la base girevole. Girare la base girevole in modo che l'indice indichi 0° sulla squadra a 45°. Girare poi leggermente la base girevole in senso orario e antiorario per assestarla nella tacca di taglio obliquo di 0°. (Lasciarla com'è se l'indice non indica 0°.) Allentare i bulloni esagonali che fissano la guida pezzo usando la chiave a bussola. (Fig. 49)

Abbassare completamente il manico e bloccarlo spingendo dentro il perno di fermo. Squadrare il lato della lama con la faccia della guida pezzo usando un righeolo triangolare, squadra di riscontro, ecc. Stringere poi saldamente in successione dal lato destro i bulloni esagonali sulla guida pezzo. (Fig. 50)

Accertarsi che l'indice indichi 0° sulla scala di taglio a quartabuono. Se l'indice non indica 0°, allentare la vite che fissa l'indice e regolare l'indice in modo che indichi 0°. (Fig. 51)

Angolo di taglio a unghia

1) Angolo di taglio a unghia di 0°

Spingere il carrello verso la guida pezzo, e stringere la manopola per fissarlo. Abbassare completamente il manico e bloccarlo nella posizione abbassata spingendo la spina di bloccaggio. Allentare la leva sulla parte posteriore dell'utensile. Accertarsi che il braccio sia bloccato. (Fig. 52)

Girare il dado esagonale sul fianco sinistro del braccio di due o tre giri in senso antiorario. Girare il bullone esagonale sul fianco destro del braccio di due o tre giri in senso antiorario per inclinare la lama a sinistra. (Fig. 53)

Fare combaciare con cura il fianco della lama con la superficie superiore della base girevole usando la squadra triangolare, squadra di riscontro, ecc., girando il bullone esagonale sul fianco destro del braccio in senso orario. Girare il bullone esagonale sul fianco sinistro del braccio in senso orario finché non può andare più oltre. Stringere poi saldamente la leva. (Fig. 54)

Accertarsi che i due indici sul braccio indichino 0° sulla scala di taglio a unghia sul supporto del braccio. Se non indicano 0°, allentare le viti che fissano gli indici e regolarli in modo che indichino 0°. (Fig. 55)

2) Angolo di taglio a unghia di 45° (Fig. 56)

Regolare l'angolo di taglio a unghia di 45° soltanto dopo aver eseguito la regolazione dell'angolo di taglio a unghia di 0°. Per regolare l'angolo di taglio a unghia di 45° sinistro, allentare la leva e inclinare completamente la lama a sinistra. Accertarsi che l'indice del braccio indichi 45° sulla scala di taglio a unghia sul supporto braccio. Se l'indice non indica 45°, girare il bullone di regolazione dell'angolo di taglio a unghia di 45° sul fianco del supporto braccio finché l'indice indica 45°.

Per regolare l'angolo di taglio a unghia di 45° destro, usare la stessa procedura descritta sopra.

Regolazione dell'esecuzione scorrevole del taglio a unghia (Fig. 57)

Il controdatto che fissa insieme il braccio e il supporto del braccio è stato regolato in fabbrica in modo da assicurare l'esecuzione scorrevole del taglio a unghia e garantire la precisione del taglio. Non manometterlo. Se si dovesse verificare un allentamento della connessione del braccio e del supporto del braccio, stringere il controdatto usando una chiave.

Regolazione della posizione della linea laser (Fig. 58 e 59)

Modello LS1013L, LS1013FL soltanto

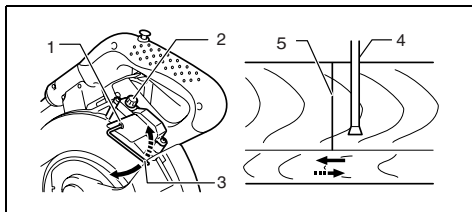
AVVERTIMENTO:

• Collegando l'utensile alla presa di corrente quando si regola la posizione della linea laser, fare soprattutto attenzione a non schiacciare l'interruttore. Se lo si schiaccia accidentalmente avviando l'utensile, c'è pericolo di lesioni personali.

ATTENZIONE:

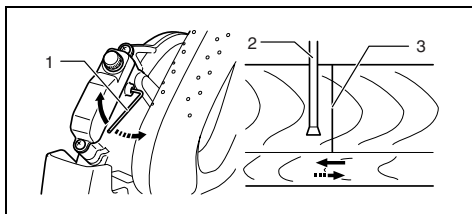
• Mai guardare direttamente il raggio laser. Il raggio laser può danneggiare gli occhi.
• Fare attenzione che l'utensile non subisca urti o colpi. Essi possono causare il posizionamento sbagliato della linea laser danneggiando la parte che emette il raggio laser o riducendo la vita dell'utensile.

Regolazione della linea laser sul lato sinistro della lama



- 1 Vite di cambio gamma di spostamento vite di regolazione
- 2 Vite di regolazione
- 3 Chiave esagonale
- 4 Linea laser
- 5 Lama

Regolazione della linea laser sul lato destro della lama



- 1 Vite di cambio gamma di spostamento vite di regolazione
- 2 Lama
- 3 Linea laser

Per entrambe le regolazioni, procedere come segue.

1. Accertarsi che l'utensile sia staccato dalla presa di corrente.
2. Tracciare la linea di taglio sul pezzo e metterlo sulla base girevole. A questo punto, non fissare il pezzo con la morsa od altro dispositivo di fissaggio.
3. Abbassare la lama abbassando il manico, e controllare solo dove si trova la linea di taglio e la posizione della lama. (Decidere la posizione di taglio sulla linea di taglio.)
4. Dopo aver deciso la posizione di taglio, rimettere il manico sulla sua posizione originale. Fissare il pezzo con la morsa verticale senza spostarlo dalla posizione precedentemente controllata.
5. Collegare l'utensile alla presa di corrente e schiacciare l'interruttore laser.
6. Regolare la posizione della linea laser come segue.

La posizione della linea laser può essere cambiata con il cambiamento della gamma di spostamento della vite di regolazione girando le due viti con la chiave esagonale. (La gamma di spostamento della linea laser è stata regolata in fabbrica entro 1 mm dalla superficie laterale della lama.)

Per spostare maggiormente la gamma di spostamento della linea laser dalla superficie laterale della lama, girare le due viti in senso antiorario dopo aver allentato la vite di regolazione. Girare queste due viti in senso orario per spostarla più vicina alla superficie laterale della lama dopo aver allentato la vite di regolazione.

Riferirsi alla sezione "Utilizzo del raggio laser" e regolare la vite di regolazione in modo che la linea di taglio sul pezzo sia allineata con la linea laser.

NOTA:

- Controllare regolarmente la precisione della posizione della linea laser.
- Far riparare l'utensile presso un centro Makita autorizzato nel caso di un qualsiasi difetto dell'unità laser.

Pulizia della lente della lampadina laser (Fig. 60 e 61)

Modello LS1013L, LS1013FL soltanto

Se la lente della lampadina laser diventa sporca, oppure se su di essa è rimasta attaccata della segatura in modo che la linea laser non è più visibile, staccare l'utensile dalla presa di corrente e rimuovere e pulire con cura la lente della lampadina laser con un panno morbido bagnato. Per pulire la lente, non usare solventi o pulitori a base di petrolio.

Per togliere la lente dalla lampadina laser, rimuovere la lama prima della lente secondo le istruzioni della sezione "Installazione o rimozione della lama".

Usando un cacciavite, allentare, senza rimuoverla, la vite che fissa la lente.

Tirar fuori la lente come mostrato nella illustrazione.

NOTA:

Se la lente non viene via, allentare ulteriormente la vite e tirar via di nuovo la lente senza rimuovere la vite.

Sostituzione del tubo fluorescente (Fig. 62)

Modello LS1013F, LS1013FL soltanto

ATTENZIONE:

- Accertarsi sempre che l'utensile sia spento e staccato dalla presa di corrente prima di sostituire il tubo fluorescente.
- Non usare forza, urtare o graffiare il tubo fluorescente, perché potrebbe rompersi causando lesioni all'operatore o a chi è vicino.
- Non toccare il tubo fluorescente immediatamente dopo l'uso prima di sostituirlo. C'è pericolo di bruciature.

Togliere le viti che fissano la scatola della lampada della lampada. Estrarre la scatola della lampada spingendo delicatamente la sua posizione superiore, come mostrato nella Fig. 62.

Estrarre il tubo fluorescente e sostituirlo con un nuovo ricambio originale Makita.

Sostituzione delle spazzole di carbone (Fig. 63 e 64)

Rimuovere e ispezionare regolarmente le spazzole di carbone. Sostituirle quando sono consumate fino al limite di usura. Mantenere pulite le spazzole di carbone, che devono potersi muovere liberamente nel portaspazzole. Le spazzole di carbone vanno sostituite entrambe allo stesso tempo. Usare soltanto spazzole di carbone identiche.

Per rimuovere le spazzole di carbone, usare un cacciavite. Togliere le spazzole usurate, inserire le nuove e fissare i tappi del portaspazzole.

Dopo l'uso

- Dopo l'uso, togliere i trucioli e la segatura attaccati all'utensile con un panno o uno straccio. Mantenere pulita la protezione della lama facendo riferimento alle spiegazioni di "Protezione della lama". Oliare le parti mobili con un lubrificante antiruggine.
- Se si immagazzina l'utensile, tirare il carrello completamente verso di sé in modo che i pali di scorrimento siano inseriti del tutto all'interno della base.

Per preservare la SICUREZZA e l'AFFIDABILITÀ del prodotto, le riparazioni e qualsiasi altro intervento di manutenzione e di regolazione devono essere eseguiti da un centro di assistenza Makita usando ricambi Makita.

ACCESSORI

ATTENZIONE:

- In questo manuale si consiglia di usare questi accessori o ricambi Makita. L'impiego di altri accessori o ricambi potrebbe costituire un pericolo di lesioni. Usare esclusivamente gli accessori o ricambi per il loro scopo specificato.

Per maggiori dettagli riguardo a questi accessori, rivolgersi a un centro di assistenza Makita.

- Lama di acciaio e al carburo
- Sacchetto segatura
- Guida pezzo secondaria R
- Gomito
- Gruppo morsa (morsa orizzontale)
- Righello triangolare
- Morsa verticale
- Bottone di sblocco (2 pezzi)
- Chiave a bussola 13
- Blocco piano di taglio
- Supporto
- Tubo fluorescente (per LS1013F/LS1013FL)
- Chiave a bussola (per LS1013L/LS1013FL)


Verklaring van algemene gegevens

1 Aanslagpen	34 Pijltje	65 Driehoeksliniaal
2 Bout	35 Asvergrendeling	66 Schroef
3 Veiligheidskap	36 Binnenflens	67 Verstekschaalverdeling
4 Knop	37 As	68 Wijzer
5 Zaagsnedeplaat	38 Ring	69 Schuine-hoek schaalverdeling
6 Zaagblad	39 Buitenflens	70 Wijzer
7 Zaagbladtanden	40 Zeskantbout	71 Armhouder
8 Linkse verstek snede	(linkse schroefdraad)	72 Stelbout voor rechtse 45° schuine hoek
9 Rechte snede	41 Stofuitlaat	73 Stelbout voor linkse 45° schuine hoek
10 Rechte verstek snede	42 Stofzak	74 Zeskant borgmoer
11 Stelbout	43 Sluitstrip	75 Zaagsnedeblok
12 Draaibaar voetstuk	44 Steun	76 Werkstuk
13 Bovenvlak van draaibaar voetstuk	45 Draaibaar voetstuk	77 Zaaglijn
14 Omtrek van zaagblad	46 Hulpgeleider	78 Verticale spanschroef
15 Geleider	47 Hulpgeleider R	79 Schroevendraaier
16 Stelschroef	48 Schroeven	80 Schroef (één stuk)
17 Aanslagarm	49 Spanschroefarm	81 Laserstraallens
18 Ingedrukt houdt	50 Spanschroefstang	82 Limietmerkstreep
19 Greep	51 Schroef	83 Borstelhouderdop
20 Wijzer	52 Spanschroefknop	84 Lamp
21 Verstekschaal	53 Geleider	85 Lampschakelaar
22 Hendel	54 Spanschroefplaat	86 Naar buiten trekken
23 Arm	55 Spanschroefmoer	87 Drukken
24 Schuine-hoek schaal	56 Houder	88 Lampkast
25 Ontgrendelknop	57 Knop	89 Schroeven
26 Trekschakelaar	58 Spanschroef	90 TL-buis
27 Handvat	59 Vulblok	91 Stofvanger
28 Laserschakelaar	60 Aluminium werkstuk	92 Afdekking
29 Dopsleutel	61 Vulblok	93 Knop
30 Sleutelhouder	62 Horizontale spanschroef (los verkrijgbaar accessoire)	94 Cilinder
31 Middenkap	63 Groeven zagen met het zaagblad	95 Zaagsel
32 Zeskante bout	64 Zeskante bout	
33 Zaagbladkast		

TECHNISCHE GEGEVENS

Model	LS1013/LS1013F/LS1013L/LS1013FL
Diameter zaagblad	250 – 260 mm
Diameter zaagbladgat	
Voor alle niet-Europese landen	25,4 mm en 25 mm
Voor alle Europese landen	30 mm
Max. zaagcapaciteiten (H x B) met een zaagblad van 260 mm in diameter	

Verstekhoek	Schuine hoek		
	45° (links)	0°	45° (rechts)
0°	50 mm x 310 mm	91 mm x 310 mm	31 mm x 310 mm
45° (links en rechts)	(links) 50 mm x 200 mm (rechts) 50 mm x 220 mm	91 mm x 220 mm	31 mm x 220 mm
52° (rechts)	—	91 mm x 190 mm	—

Toerental onbelast (min ⁻¹)	3 700
Lasertype (Alleen voor LS1013L/LS1013FL)	Rode laser 650 nm, <1mW (Laser Klasse 2)
Afmetingen (L x B x H)	
LS1013/LS1013F	715 mm x 520 mm x 625 mm
LS1013L/LS1013FL	715 mm x 520 mm x 640 mm
Netto gewicht	
LS1013/LS1013F	21 kg
LS1013L/LS1013FL	22 kg
Veiligheidsklasse	 /II

- In verband met ononderbroken research en ontwikkeling, behouden wij ons het recht voor de bovenstaande technische gegevens zonder voorafgaande kennisgeving te wijzigen.
- Opmerking: De technische gegevens kunnen van land tot land verschillen.

Doelinden van gebruik

Dit gereedschap is bedoeld voor nauwkeurig recht zagen en verstekzagen in hout. Bij gebruik van de geschikte zaagbladen kan ook aluminium worden gezaagd.

Stroomvoorziening

Het gereedschap mag alleen worden aangesloten op een stroombron van hetzelfde voltage als aangegeven op de naamplaat, en kan alleen op enkel-fase wisselstroom worden gebruikt. Het gereedschap is dubbel-geïsoleerd volgens de Europese standaard en kan derhalve ook op een niet-geaard stopcontact worden gebruikt.

Veiligheidswenken

Voor uw veiligheid dient u de bijgevoegde Veiligheidsvoorschriften nauwkeurig op te volgen.

AANVULLENDE

VEILIGHEIDSVOORSCHRIFTEN VOOR HET GEREEDSCHAP

1. **Draag oogbescherming.**
2. **Houd uw handen uit de buurt van het zaagblad.** Raak het freewheelende zaagblad niet aan, aangezien dit nog ernstige verwonding kan veroorzaken.
3. **Gebruik de zaag niet zonder dat de veiligheidskappen zijn aangebracht.**
Controleer vóór elk gebruik of de veiligheidskap goed sluit. Gebruik de zaag niet indien de veiligheidskap niet goed beweegt en niet snel over het zaagblad sluit. Klem of bind de veiligheidskap nooit in de geopende stand vast.
4. **Zaag nooit met het werkstuk in uw hand.** Gebruik altijd de spanschroef om het werkstuk goed vast te zetten op het draaibaar voetstuk en tegen de geleider. Gebruik nooit uw hand om het werkstuk tijdens het zagen vast te houden.
5. **Reik nooit in de nabijheid van het zaagblad.**
6. **Schakel het gereedschap uit en wacht totdat het zaagblad volledig tot stilstand is gekomen alvorens het werkstuk te verwijderen of instellingen te veranderen.**
7. **Trek de stekker uit het stopcontact alvorens het zaagblad te verwisselen of onderhoud aan het gereedschap uit te voeren.**
8. **Zet altijd alle bewegende onderdelen vast alvorens het gereedschap te dragen.**
9. **De aanslagpen die de zaagkop in de omlaagpositie vergrendelt, wordt alleen gebruikt voor het dragen en opbergen van het gereedschap en niet voor zaagbedieningen.**
10. Gebruik het gereedschap niet in de nabijheid van ontvlambare gassen of vloeistoffen.
11. Controleer het zaagblad zorgvuldig op barsten of beschadiging, alvorens het gereedschap te gebruiken. Een gebarsten of beschadigd zaagblad dient onmiddellijk te worden vervangen.
12. Gebruik alleen flenzen die voor dit gereedschap zijn bestemd.
13. Pas op dat u de as, de flenzen (vooral hun montagevlak) of de bout niet beschadigt. Beschadiging van deze onderdelen kan zaagbladbreuk veroorzaken.

14. Zorg dat het draaibaar voetstuk goed vastgezet is, zodat het tijdens het zagen niet kan bewegen.
15. Verwijder voor uw eigen veiligheid zaagafval, stukjes hout e.d. van de werktafel alvorens te gaan zagen.
16. Vermijd het zagen op spijkers. Inspecteer het werkstuk en verwijder alle eventuele spijkers alvorens met het zagen te beginnen.
17. Zet de asvergrendeling in de vrije stand alvorens de trekschakelaar in te drukken.
18. Zorg ervoor dat het zaagblad in zijn laagste positie niet in aanraking komt met het draaibaar voetstuk.
19. Houd het handvat stevig vast. Denk eraan dat de zaag bij het starten en stoppen even op- en neergaat.
20. Zorg dat het zaagblad bij het inschakelen niet in contact is met het werkstuk.
21. Laat het gereedschap een tijdje draaien alvorens het op het werkstuk te gebruiken. Controleer op trillingen of schommelingen die op onjuiste installatie of op een slecht gebalanceerd zaagblad kunnen wijzen.
22. Wacht totdat het zaagblad op volle toeren draait, alvorens het werkstuk te zagen.
23. Stop onmiddellijk met zagen indien u iets abnormaals opmerkt.
24. Probeer niet om de trekschakelaar in de INGESCHAKELD positie te vergrendelen.
25. Laat uw aandacht nooit verslappen, vooral niet wanneer het werk saai is en uit herhalingen bestaat. Laat u niet door een vals gevoel van veiligheid misleiden, aangezien zaagbladen altijd uiterst gevaarlijk zijn.
26. Gebruik uitsluitend de accessoires die in deze gebruiksaanwijzing worden aanbevolen. Het gebruik van ongeschikte accessoires, zoals slijpschijven, kan verwonding veroorzaken.
27. **Gebruik de zaag niet voor het zagen van andere materialen dan aluminium, hout of soortgelijk materiaal.**
28. **Sluit verstekzagen tijdens het zagen aan op een stofvanginrichting.**
29. **Selecteer de zaagbladen in overeenstemming met het te zagen materiaal.**
30. **Wees voorzichtig wanneer u gleuven zaagt.**
31. **Vervang de zaagsnedeplaat wanneer deze versleten is.**
32. **Gebruik geen zaagbladen die van sneldraaistaal zijn gemaakt.**
33. **Sommig stofafval van de zaagbediening bevat chemicaliën die kanker, geboortefwijkingen of andere voortplantingsdefecten kunnen veroorzaken. Een paar voorbeelden van deze chemicaliën zijn:**
 - lood van materiaal dat met loodhoudende inkt is geverfd
 - larseen en chroom van chemisch behandeld timmerhout

Het gevaar van blootstelling hangt af van hoe vaak u dit soort werk uitvoert. Om blootstelling aan deze chemicaliën tot een minimum te beperken, dient u in een goed geventileerde omgeving te werken en gebruik te maken van goedgekeurde veiligheidsapparatuur zoals stofmaskers die speciaal ontworpen zijn voor het filtreren van microscopische deeltjes.

34. **Zorg altijd dat het zaagblad scherp en schoon is om het voortgebrachte geluid tot een minimum te beperken.**
35. **De gebruiker dient volledig vertrouwd te zijn met het gebruik, de afstelling en de bediening van het gereedschap.**
36. **Gebruik juist aangescherpte zaagbladen. Neem altijd de maximale snelheid, die op het zaagblad is aangeduid, in acht.**
37. **Probeer niet om afgezaagde stukken of andere delen van het werkstuk uit het zaaggebied te verwijderen terwijl het gereedschap nog draait en de zaagkop niet in de uitgangspositie staat.**

BEWAAR DEZE VOORSCHRIFTEN

INSTALLEREN

Het gereedschap op de werktafel monteren

Bij de verschepping uit de fabriek is het handvat door middel van de aanslagpen in de omlaagpositie vergrendeld. Ontgrendel de aanslagpen door het handvat ietwat omlaag te drukken en aan de aanslagpen te trekken. (Fig. 1)

Dit gereedschap dient op een vlak en stabiel oppervlak te worden gemonteerd door middel van vier bouten die u vastdraait in de boutgaten in de voet van het gereedschap. Hierdoor wordt voorkomen dat het gereedschap omkantelt en mogelijk verwondingen veroorzaakt. (Fig. 2)

BESCHRIJVING VAN DE FUNCTIES

LET OP:

- Controleer altijd of het gereedschap is uitgeschakeld en zijn stekker uit het stopcontact is verwijderd alvorens de functies op het gereedschap te controleren of af te stellen.

Veiligheidskap (Fig. 3 en 4)

Wanneer het handvat omlaag wordt gebracht, gaat de veiligheidskap automatisch omhoog. De veiligheidskap keert terug naar haar oorspronkelijke positie wanneer het zagen is voltooid en het handvat omhoog wordt gebracht. **ZET DE BESCHERMKAP NOOIT VAST EN VERWIJDER NOOIT DE BESCHERMKAP OF DE VEER DIE ERAAN IS BEVESTIGD.**

Voor uw persoonlijke veiligheid dient de veiligheidskap altijd in goede staat te worden gehouden. Elke onregelmatigheid in de werking van de veiligheidskap dient onmiddellijk te worden hersteld. Controleer of de veer goed werkt zodat de veiligheidskap goed terugkeert. **GEBRUIK HET GEREEDSCHAP NOOIT WANNEER DE VEILIGHEIDSKAP OF DE VEER BESCHADIGD, DEFECT, OF VERWIJDERD ZIJN. DIT IS NAMELIJK BIJZONDER GEVAARLIJK EN KAN ERNSTIGE VERWONDINGEN VEROOZAKEN.**

Als de doorzichtige veiligheidskap vuil is of met zaagsel is bedekt zodat het zaagblad en/of het werkstuk niet meer goed zichtbaar is, haal dan de stekker uit het stopcontact en maak de veiligheidskap met een bevochtigde doek goed schoon. Gebruik voor het reinigen van de plastic veiligheidskap nooit oplosmiddelen of benzinehoudende schoonmaakmiddelen.

Als de veiligheidskap erg vuil is zodat het zaagblad moeilijk te zien is, gebruik dan de dopsleutel om de zeskante bout van de middenkap los te draaien.

Draai de zeskante bout linksom los en breng de veiligheidskap en de middenkap omhoog. In deze positie kan de veiligheidskap grondiger en gemakkelijker worden schoongemaakt. Voer de bovenstaande procedure in de omgekeerde volgorde uit en draai de bout weer vast nadat het schoonmaken is voltooid. Verwijder de veer van de veiligheidskap niet. Wanneer de veiligheidskap door ouderdom of blootstelling aan UV-licht verkleurd is geraakt, neem dan contact op met een Makita servicecentrum voor een nieuwe veiligheidskap. **DE VEILIGHEIDSKAP NOOIT VASTZETTEN OF VERWIJDEREN.**

Afstellen van de zaagsnedeplaten (Fig. 5 en 6)

Om scheuren op de uitlaatkant van een snede tot een minimum te beperken, is dit gereedschap voorzien van zaagsnedeplaten in de draaitafel. De zaagsnedeplaten zijn in de fabriek zodanig afgesteld dat het zaagblad niet met de zaagsnedeplaten in contact komt. Stel de zaagsnedeplaten als volgt af alvorens het gereedschap in gebruik te nemen.

Haal eerst de stekker van het gereedschap uit het stopcontact. Draai alle schroeven (2 aan de linkerzijde en 2 aan de rechterzijde) waarmee de zaagsnedeplaten zijn vastgemaakt los. Trek de schroeven vervolgens weer aan in zulke mate dat de zaagsnedeplaten nog gemakkelijk met de hand kunnen worden bewogen. Breng het handvat volledig omlaag en druk de aanslagpen naar binnen om het handvat in de omlaagpositie te vergrendelen. Draai de knop waarmee de glijstangen zijn vastgemaakt los. Trek de slede helemaal naar u toe. Stel de positie van de zaagsnedeplaten zodanig af dat deze net in aanraking komen met de zijanten van de zaagbladtanden. Trek de voorste schroeven aan (niet te hard aantrekken). Duw de slede zo ver mogelijk naar de geleider en stel de positie van de zaagsnedeplaten zodanig af dat deze net in aanraking komen met de zijanten van de zaagbladtanden. Trek de achterste schroeven aan (niet te hard aantrekken).

Nadat de zaagsnedeplaten zijn afgesteld, ontgrendelt u de aanslagpen en brengt u het handvat omhoog. Trek vervolgens alle schroeven stevig aan.

LET OP:

- Telkens voordat of nadat u de schuine hoek wijzigt, dient u de zaagsnedeplaten op de bovenstaande manier af te stellen.

Handhaven van de maximale zaagcapaciteit (Fig. 7 en 8)

Trek de stekker van de machine uit het stopcontact alvorens afstellingen te maken. Deze machine is in de fabriek ingesteld voor het leveren van maximale zaagcapaciteit met een 255 mm zaagblad.

Wanneer u een nieuw zaagblad installeert, moet u altijd de laagste positie van het zaagblad controleren en zodanig als volgt afstellen:

Trek eerst de stekker uit het stopcontact. Duw de slede zo ver mogelijk naar de geleider en breng het handvat helemaal omlaag. Gebruik de dopsleutel en draai de stelbout naar links of naar rechts totdat de omtrek van het zaagblad ietwat onder het bovenvlak van het draaibaar voetstuk komt te zitten op het punt waar het voorvlak van de geleider in aanraking komt met het bovenvlak van het draaibaar voetstuk.

Draai met de hand het zaagblad rond (met de stekker uit het stopcontact verwijderd!) terwijl u het handvat volledig neergedrukt houdt, en controleer of het zaagblad met geen enkel deel van het onderste voetstuk in aanraking komt. Stel opnieuw een beetje af, indien nodig.

LET OP:

- Na het installeren van een nieuw zaagblad, dient u altijd te controleren of het zaagblad met geen enkel deel van het onderste voetstuk in aanraking komt wanneer het handvat volledig omlaag is gebracht. Voer deze controle altijd uit met de stekker uit het stopcontact gehaald.

Aanslagarm (Fig. 9)

Met de aanslagarm kunt u de laagste positie van het zaagblad gemakkelijk instellen. Om in te stellen draait u de aanslagarm in de richting van het pijltje zoals afgebeeld. Stel de stelschroef zodanig in dat het zaagblad bij de gewenste positie stopt wanneer het handvat volledig omlaag wordt gebracht.

Instellen van de verstekhoek (Fig. 10)

Draai de greep naar links los. Verdraai het draaibaar voetstuk terwijl u de aanslagarm ingedrukt houdt. Beweeg de greep naar de positie waar de wijzer de gewenste hoek op de verstekschaal aanwijst, en draai dan de greep weer stevig naar rechts vast.

LET OP:

- Voor het verdraaien van het draaibaar voetstuk dient u het handvat volledig omhoog te brengen.
- Na het wijzigen van de verstekhoek, dient u het draaibaar voetstuk altijd vast te zetten door de greep goed vast te draaien.

Instellen van de schuine hoek (Fig. 11 en 12)

Om de schuine hoek in te stellen, draait u de hendel op de achterkant van het gereedschap naar links los. Ontgrendel de arm door het handvat tamelijk krachtig in de richting te duwen waarin u het zaagblad wilt schuinzetten.

Kantel het zaagblad totdat de wijzer naar de gewenste hoek op de schuine-hoek schaalverdeling wijst. Draai daarna de hendel weer stevig naar rechts vast om de arm te vergrendelen.

LET OP:

- Wanneer u het zaagblad schuin zet, dient u het handvat volledig omhoog te brengen.
- Na het wijzigen van de schuine hoek, dient u de arm altijd vast te zetten door de hendel naar rechts vast te draaien.
- Na het wijzigen van de schuine hoek, dient u de zaagsnedeplaten weer in de juiste positie te zetten volgens de aanwijzingen in de paragraaf "Afstellen van de zaagsnedeplaten."

Werking van de schakelaar

LET OP:

- Alvorens de stekker in een stopcontact te steken, moet u altijd controleren of de trekschakelaar goed werkt en bij het loslaten naar de "UITGESCHAKELD" (OFF) positie terugkeert.
- Verwijder de ontgrendelknop en bewaar deze op een veilige plaats wanneer u het gereedschap niet gebruikt. Hierdoor voorkomt u ongeoorloofd gebruik van het gereedschap.

- Druk de trekschakelaar niet hard in zonder dat de ontgrendelknop is ingedrukt. Hierdoor kan de schakelaar namelijk breken.

Voor Europese landen (Fig. 13)

Een ontgrendelknop is voorzien om te voorkomen dat de trekschakelaar per ongeluk wordt ingedrukt. Om de het gereedschap te starten, duw de hendel naar links, druk de ontgrendelknop in en druk daarna de trekschakelaar in. Om het gereedschap te stoppen, laat u de trekschakelaar los.

Voor alle niet-Europese landen (Fig. 14)

Een ontgrendelknop is voorzien om te voorkomen dat de trekschakelaar per ongeluk wordt ingedrukt. Om het gereedschap te starten, druk de ontgrendelknop in en druk vervolgens de trekschakelaar in. Om het gereedschap te stoppen, laat u de trekschakelaar los.

WAARSCHUWINGEN:

- Gebruik het gereedschap NOOIT met een defecte trekschakelaar. Elk gereedschap met een defecte schakelaar is UITERST GEVAARLIJK en moet worden gerepareerd alvorens het verder wordt gebruikt.
- Voor uw veiligheid is dit gereedschap voorzien van een ontgrendelknop die ongewild starten van het gereedschap voorkomt. Gebruik het gereedschap NOOIT indien het gaat draaien wanneer u gewoon de trekschakelaar indrukt zonder de ontgrendelknop in te drukken. Breng het naar een Makita servicecentrum voor reparatie ALVORENS het verder te gebruiken.
- Zet de ontgrendelknop NOOIT vast met plakband en belemmer nooit het doel en de functie ervan.

Aanzetten van de lampen (Fig. 15 en 16)

Aleen voor Model LS1013F, LS1013FL

LET OP:

- De lamp is niet waterdicht. Was de lamp niet in water en gebruik hem niet in de regen of in een natte omgeving. Dit kan namelijk een elektrische schok en uitwaseming veroorzaken.
- Raak de lens van de lamp niet aan, aangezien deze tijdens of onmiddellijk na het gebruik uiterst heet is en brandwonden kan veroorzaken.
- Stel de lamp niet bloot aan schokken of stoten, aangezien de lamp daardoor beschadigd kan raken of minder lang zal meegaan.
- Richt de stralenbundel van de lamp niet langdurig naar uw ogen. Dit kan namelijk oogletsel veroorzaken.
- Bedek de brandende lamp niet met een doek, karton of soortgelijke voorwerpen. Dit kan namelijk brand of ontbranding veroorzaken.

Druk op het bovenste gedeelte van de schakelaar om de lamp aan te zetten, en op het onderste gedeelte om de lamp uit te doen.

Beweeg de lamp om de gewenste plek te verlichten.

OPMERKING:

- Gebruik een droge doek om vuil op de lens van de lamp eraf te vegen. Pas op dat u geen krassen maakt op de lens, omdat de verlichtingssterkte daardoor kan verminderen.

Zaagsnedeblok (los verkrijgbaar accessoire) (Fig. 17 en 18)

LET OP:

- Zaag altijd met dezelfde verstekhoek wanneer u het zaagsnedeblok gebruikt.
- Wanneer u de verstekhoek verandert, moet u een ander zaagsnedeblok gebruiken.
- Gebruik nooit het zaagsnedeblok wanneer u schuine sneden wilt zagen.

Als u dit verzuimt, zal het blok splitsen zodat de gebruiker ernstige verwonding kan oplopen.

Wanneer u het zaagsnedeblok gebruikt voor zagen bij 90°, kunt u splintervrije sneden zagen in het werkstuk aan de zijde van de geleider (de maximale hoogte van het werkstuk is 35 mm). Monteer het zaagsnedeblok op de geleider door middel van de twee schroeven. (Stel de geleider en het zaagsnedeblok zodanig af dat hun vlakken elkaar raken. Draai daarna de schroeven goed vast.)

Werking van de laserstraal

Alleen voor Model LS1013L, LS1013FL

LET OP:

- Kijk nooit in de laserstraal. Een directe laserstraal kan oogletsel veroorzaken.
- LASERSTRALING. KIJK NIET IN DE LASERSTRAAL EN GEBRUIK GEEN OPTISCHE INSTRUMENTEN OM ER RECHTSTREEKS NAAR TE KIJKEN. LASER-PRODUCT VAN KLASSE 2M.

Om de laser in te schakelen, drukt u op de bovenkant (I) van de schakelaar. Druk op de onderkant (O) om de laser uit te schakelen. (Fig. 19)

U kunt de laserlijn verplaatsen naar de linker- of rechterzijde van het zaagblad door de stelschroef als volgt in te stellen. (Fig. 20)

1. Draai de stelschroef naar links los.
2. Schuif de losgedraaide stelschroef zo ver mogelijk naar links of rechts.
3. Draai de stelschroef stevig vast bij de positie waar deze niet verder kan worden verschoven.

De laserlijn is in de fabriek zodanig ingesteld dat deze zich binnen 1 mm vanaf het zijvlak van het zaagblad (zaagpositie) bevindt.

OPMERKING:

- Wanneer de laserlijn duister is en moeilijk of helemaal niet zichtbaar is vanwege direct zonlicht in de werkplek schutshuis of buitenschutshuis, dient u een andere werkplek die niet blootstaat aan direct zonlicht te kiezen.

Afstellen van de laserlijn (Fig. 21)

U kunt de laserlijn verplaatsen naar de linker- of rechterzijde van het zaagblad, afhankelijk van de zaagbewerking. Voor het verplaatsen van de laserlijn, zie de uitleg onder "Werking van de laserstraal".

OPMERKING:

- Plaats een houten hulpstuk tegen de geleider wanneer u de zaaglijn instelt met de laserlijn aan de zijkant van de geleider voor gecombineerd zagen (45° schuine hoek en 45° rechte verstekhoek).
- A) Wanneer u de juiste afmeting krijgt aan de linkerzijde van het werkstuk
 - Verplaats de laserlijn naar de linkerzijde van het zaagblad.
 - B) Wanneer u de juiste afmeting krijgt aan de rechterzijde van het werkstuk

- Verplaats de laserlijn naar de rechterzijde van het zaagblad.

Doe de zaaglijn op het werkstuk overeenkomen met de laserlijn.

INEENZETTEN

LET OP:

- Zorg altijd dat het gereedschap is uitgeschakeld en zijn stekker uit het stopcontact is verwijderd alvorens enig werk aan het gereedschap uit te voeren.

Opbergen van de dopsleutel (Fig. 22)

Berg de dopsleutel op zoals afgebeeld. Trek de dopsleutel uit de sleutelhouder wanneer u hem wilt gebruiken. Breng hem na het gebruik weer aan in de sleutelhouder.

Installeren of verwijderen van het zaagblad

LET OP:

- Zorg altijd dat het gereedschap is uitgeschakeld en zijn stekker uit het stopcontact is verwijderd alvorens het zaagblad te installeren of te verwijderen.
- Gebruik voor het installeren of verwijderen van het zaagblad uitsluitend de bijgeleverde Makita dopsleutel. Doet u dit niet, dan kan de zeskante bout te vast of te los worden aangedraaid, hetgeen persoonlijke verwonding kan veroorzaken.

Druk de aanslagpen naar binnen om het handvat in de omhoogpositie te vergrendelen. (Fig. 23)

Gebruik de dopsleutel om de zeskante bout, die de middenkap op zijn plaats houdt, naar links los te draaien. Breng de veiligheidskap en de middenkap omhoog. (Fig. 24)

Druk de asvergrendeling in om de as te vergrendelen en draai met de dopsleutel de zeskante bout naar rechts los. Verwijder vervolgens de zeskante bout, de buitenflens en het zaagblad. (Fig. 25)

Om het zaagblad te installeren, monteert u het zaagblad op de as, ervoor zorgend dat de pijltjes op het zaagblad en op de zaagbladkast in dezelfde richting wijzen. Monteer de buitenflens en de zeskante bout, en draai met de dopsleutel de zeskante bout (linkse schroefdraad) stevig naar links vast terwijl u daarbij de asvergrendeling ingedrukt houdt. (Fig. 26)

Voor alle niet-Europese landen

LET OP:

- De zwarte ring (25 mm buitendiameter) en de zilverring (25,4 mm buitendiameter) zijn in de fabriek op de as gemonteerd zoals afgebeeld. Bij gebruik van een zaagblad met een 25 mm asgatdiameter, dient u de zilverring door de zwarte ring te vervangen. Alvorens het zaagblad op de as te monteren, moet u altijd controleren of de juiste ring, voor het asgat van het blad dat u gaat gebruiken, tussen de binnenflens en buitenflens op de as is gemonteerd. (Fig. 27)

Voor Europese landen

LET OP:

- De ring met een buitendiameter van 30 mm werd in de fabriek tussen de binnenflens en buitenflens gemonteerd.

Monteer de buitenflens en de zeskante bout, en draai met de dopsleutel de zeskante bout stevig naar links vast terwijl u daarbij de asvergrendeling ingedrukt houdt. Breng de veiligheidskap en de middenkap terug naar hun oorspronkelijke positie. Draai daarna de zeskante bout

naar rechts vast om de middenkap vast te zetten. Trek de aanslagpen naar buiten om het handvat uit de omhoogpositie te halen. Breng het handvat naar omlaag om te controleren of de veiligheidskap goed beweegt. Zet de asvergrendeling in de vrije stand alvorens te gaan zagen. (Fig. 28)

Stofzak (accessoire) (Fig. 29)

Door de stofzak te gebruiken wordt het zaagsel opgevangen zodat u schoon kunt werken. Om de stofzak te bevestigen, steekt u het verbindingsstuk in de stofuitlaat op de zaagbladkast en monteert u de inlaat van de stofzak over het verbindingsstuk.

Wanneer de stofzak ongeveer halfvol is, verwijdert u hem van het gereedschap en trekt u de sluitstrip eruit. Maak de stofzak leeg en tik er lichtjes op voor het verwijderen van achtergebleven stofdeeltjes die de stofopvang zouden kunnen belemmeren.

OPMERKING:

- U kunt doeltreffender en schoner werken door een stofzuiger op de zaag aan te sluiten.

Stofvanger (accessoire) (Fig. 30, 31 en 32)

Steek de stofvanger in de stofuitlaat.

Maak de stofopvanger tijdig leeg.

Als u de stofvanger wilt legen, drukt u op de knop om het deksel te openen zodat u het zaagsel kan weggoeien. Plaats het deksel terug in zijn oorspronkelijke stand tot het wordt vergrendeld. De stofvanger kan eenvoudig worden verwijderd door eraan te trekken en tegelijkertijd te draaien bij de stofuitlaat op het gereedschap.

OPMERKING:

- Als u een Makita-stofzuiger aansluit op uw gereedschap, kunt u nog efficiënter en schoner werken.

LET OP:

- Maak de stofvanger leeg voordat het opgevangen zaagsel de cilinder bereikt.

Vastzetten van het werkstuk

WAARSCHUWING:

- Het is uiterst belangrijk dat u het werkstuk altijd juist en stevig vastzet met behulp van de spanschroef. Als u dit nalaat, kan het gereedschap beschadiging oplopen en/of het werkstuk worden vernield. OOK KAN PERSOONLIJK LETSEL HET GEVOLG ZIJN. Nadat het zagen is voltooid, mag u de zaag NIET omhoog brengen voordat het zaagblad volledig tot stilstand is gekomen.

LET OP:

- Bij het zagen van lange werkstukken, moet u steunen gebruiken die even hoog zijn als het bovenzvlak van het draaibaar voetstuk. Verlaat u niet alleen op de verticale en/of horizontale spanschroef om het werkstuk op zijn plaats te houden.

Dun materiaal hangt gemakkelijk door. Ondersteun het werkstuk over zijn hele lengte om vastklemmen van het zaagblad en mogelijke TERUGSLAG te voorkomen. (Fig. 33)

Hulpgeleider

Dit gereedschap is voorzien van een hulpgeleider die normaal in de afgebeelde positie in Fig. 34 moet staan. Wanneer u echter linkse schuine sneden wilt maken, moet u deze geleider in de linkerpositie afgebeeld in Fig. 35 zetten.

LET OP:

- Wanneer u linkse schuine sneden wilt zagen, moet u de hulpgeleider naar de linkse positie schuiven zoals afgebeeld in Fig. 35. Als u dit niet doet, zal de hulpgeleider in aanraking komen met het zaagblad of een ander deel van het gereedschap, hetgeen ernstige verwonding van de gebruiker kan veroorzaken.

Hulpgeleider R (los verkrijgbaar accessoire) (Fig. 36)

De hulpgeleider R kan op de rechterzijde van de geleider worden gemonteerd. Steek de stangen van de hulpgeleider R in de gaten in de geleider. Trek de schroeven aan die bij de hulpgeleider R werden geleverd om de hulpgeleider R vast te zetten.

LET OP:

- Gebruik nooit de hulpgeleider R wanneer u rechtse schuine sneden wilt zagen. Als u dit doet, zal hij in aanraking komen met het zaagblad of een ander deel van het gereedschap, hetgeen ernstige verwonding van de gebruiker kan veroorzaken.

Verticale spanschroef (Fig. 37)

De verticale spanschroef kan in twee posities, aan de linkerzijde of rechterzijde van de geleider of het voetstuk, worden gemonteerd. Steek de stang van de spanschroef in het gat in de geleider en zet de stang vast door de schroef op de achterzijde van de geleider vast te draaien. Zet de arm van de spanschroef in de positie die geschikt is voor de dikte en vorm van het werkstuk, en zet de arm vast door de schroef vast te draaien. Indien de schroef in aanraking komt met de geleider, moet u de schroef op de tegenovergestelde zijde van de spanschroefarm monteren. Controleer of geen enkel deel van het gereedschap in aanraking komt met de spanschroef wanneer het handvat volledig omlaag wordt gebracht en de slede helemaal naar achteren of naar voren wordt getrokken of geduwd. Indien dit wel het geval is, moet u de positie van de spanschroef veranderen.

Druk het werkstuk vlak tegen de geleider en het draaibaar voetstuk. Plaats het werkstuk in de gewenste zaagpositie en zet het stevig vast door de knop van de spanschroef vast te draaien.

LET OP:

- Tijdens alle bedieningen moet het werkstuk door de spanschroef stevig tegen het draaibaar voetstuk en de geleider worden gedrukt.

Horizontale spanschroef (los verkrijgbaar accessoire) (Fig. 38 en 39)

De horizontale spanschroef kan in twee posities aan de linkerzijde of de rechterzijde van het voetstuk worden geïnstalleerd. Voor het maken van versteksneden van 15° of meer, installeert u de horizontale spanschroef aan de tegenovergestelde zijde van de richting waarin het draaibaar voetstuk zal worden gedraaid.

Door de moer van de spanschroef naar links te tikken wordt de spanschroef in de vrije stand gezet en kunt u deze snel naar binnen en naar buiten bewegen. Om het werkstuk te grijpen, duwt u de knop van de spanschroef naar voren totdat de spanschroefplaat in aanraking komt met het werkstuk en dan tikt u de spanschroefmoer naar rechts. Draai vervolgens de spanschroefknop naar rechts om het werkstuk vast te zetten.

Met de horizontale spanschroef kunt u werkstukken met een maximale breedte van 200 mm vastzetten.

Wanneer u de horizontale spanschroef aan de rechterzijde van het voetstuk installeert, dient u ook de hulpgeleider R te gebruiken om het werkstuk steviger vast te zetten. Voor het installeren van de hulpgeleider R, zie de paragraaf "Hulpgeleider R" hierboven.

LET OP:

- Zet de spanschroefmoer altijd zo ver mogelijk naar rechts wanneer u het werkstuk vastzet. Als u dit verzuimt, zal het werkstuk mogelijk niet goed vastzitten. Het werkstuk kan dan weggeslingerd worden, hetgeen beschadiging van het zaagblad, verlies van controle over het gereedschap en mogelijke PERSOONLIJKE VERWONDING kan veroorzaken.

Houders (Fig. 40)

U kunt de houders aan beide zijden van het gereedschap aanbrengen om de werkstukken goed horizontaal te houden. Steek de houderstangen in de gaten in het voetstuk en stel hun lengte af in overeenstemming met het werkstuk. Zet vervolgens de houders stevig vast met de schroeven.

LET OP:

- Ondersteun lange werkstukken altijd op gelijke hoogte met het bovenvlak van het draaibaar voetstuk, om nauwkeurige zaagsneden te krijgen en gevaarlijk verlies van controle over het gereedschap te voorkomen.

BEDIENING

LET OP:

- Alvorens het gereedschap wordt ingeschakeld, dient het handvat uit zijn laagste positie te worden gehaald door de aanslagen naar buiten te trekken.
- Zorg ervoor dat het zaagblad niet in aanraking is met het werkstuk e.d. voordat u de trekschakelaar indrukt.
- Oefen tijdens het zagen geen overmatige druk op het handvat uit. Wanneer u te hard drukt, kan de motor overbelast raken en/of de zaagcapaciteit verminderen. Druk alleen zo hard als nodig is voor soepel zagen zonder dat de draaisnelheid van de zaag aanzienlijk vermindert.
- Druk het handvat zachtjes naar beneden om te zagen. Indien het handvat met geweld naar beneden wordt gedrukt of zijwaartse druk erop wordt uitgeoefend, zal het zaagblad trillen en een merkteken (zaagteken) in het werkstuk achterlaten, en zal ook de zaagsnede minder nauwkeurig zijn.
- Voor glijdend zagen duwt u de slede langzaam en zonder te stoppen naar de geleider. Als de slede tijdens het zagen wordt gestopt, zal een merkteken in het werkstuk achterblijven en zal de zaagsnede minder nauwkeurig zijn.

1. Drukkend zagen

(zagen van kleine werkstukken) (Fig. 41)

Werkstukken die maximaal 91 mm hoog en 70 mm breed zijn kunt u als volgt zagen.

Duw de slede zo ver mogelijk naar de geleider en draai de knop rechtsom vast om de slede vast te zetten. Zet het werkstuk vast met de spanschroef. Schakel het gereedschap in zonder dat het zaagblad met het werkstuk in contact is, en wacht totdat het zaagblad op volle toeren draait. Breng dan het handvat langzaam omlaag naar de laagste positie om het werkstuk te zagen. Nadat het zagen is beëindigd, schakelt u de machine uit. **WACHT TOTDAT HET ZAAGBLAD VOLLEDIG TOT STILSTAND IS GEKOMEN** alvorens het zaagblad in zijn hoogste positie terug te zetten.

LET OP:

- Draai de knop stevig rechtsom vast zodat de slede tijdens het zagen niet kan bewegen. Als de knop niet goed vastgedraaid is, kan het zaagblad onverwachts worden teruggeslagen, wat ernstige PERSOONLIJKE VERWONDING kan veroorzaken.

2. Glijdend (duwend) zagen (zagen van brede werkstukken) (Fig. 42)

Draai de knop naar links los zodat de slede vrij kan glijden. Zet het werkstuk vast met de spanschroef. Trek de slede volledig naar u toe. Schakel het gereedschap in zonder dat het zaagblad met het werkstuk in contact is, en wacht totdat het zaagblad op volle toeren draait. Druk het handvat omlaag en DUW DE SLEDE NAAR DE GELEIDER OM HET WERKSTUK TE ZAGEN. Nadat het zagen is voltooid, schakelt u het gereedschap uit. **WACHT TOTDAT HET ZAAGBLAD VOLLEDIG TOT STILSTAND IS GEKOMEN** alvorens het zaagblad in zijn hoogste positie terug te zetten.

LET OP:

- Voor glijdend zagen DIENT U EERST DE SLEDE ZO VER MOGELIJK NAAR U TOE TE TREKKEN. Druk dan het handvat tot in de laagste positie omlaag en DUW DE SLEDE NAAR DE GELEIDER. **BEGIN NOOIT MET ZAGEN VOORDAT DE SLEDE VOLLEDIG NAAR U TOE IS GETROKKEN.** Indien u begint te zagen wanneer de slede niet volledig naar u toe is getrokken of zaagt naar uw richting toe, kan het zaagblad onverwachts worden teruggeslagen, wat ernstige PERSOONLIJKE VERWONDING kan veroorzaken.
- Glijdend zagen mag nooit worden uitgevoerd terwijl het handvat in de laagste positie is vergrendeld door het indrukken van de aanslagen.
- Draai de vastzetknop van de slede nooit los terwijl het zaagblad nog draait. Dit kan ernstige verwonding veroorzaken.

3. Verstekzagen

Zie de paragraaf "Instellen van de verstekhoek" hierboven.

4. Schuine sneden zagen (Fig. 43)

Draai de hendel los en zet het zaagblad schuin om de schuine hoek in te stellen. (Zie "Instellen van de schuine hoek" hierboven.) Draai de hendel weer goed vast om de gekozen schuine hoek vast te houden. Zet het werkstuk vast met een spanschroef. Zorg dat de slede volledig naar de gebruiker toe is getrokken. Schakel het gereedschap in zonder dat het zaagblad met het werkstuk in contact is, en wacht totdat het zaagblad op volle toeren draait. Breng het handvat langzaam omlaag tot in de laagste positie door druk uit te oefenen evenwijdig met het zaagblad, en DUW DE SLEDE NAAR DE GELEIDER OM HET WERKSTUK TE ZAGEN. Nadat het zagen is voltooid, schakelt u het gereedschap uit. WACHT TOTDAT HET ZAAGBLAD VOLLEDIG TOT STILSTAND IS GEKOMEN alvorens het zaagblad in zijn hoogste positie terug te zetten.

LET OP:

- Controleer tijdens het zagen van schuine sneden altijd of het zaagblad in schuine richting naar beneden beweegt. Houd uw handen uit de buurt van het zaagblad.
- Tijdens het zagen van schuine sneden kan het gebeuren dat het afgezaagde stuk tegen de zijkant van het zaagblad komt te liggen. Indien het zaagblad omhoog wordt gebracht terwijl het nog draait, kan dit stuk door het draaiende zaagblad worden gegrepen zodat brokstukken in het rond worden geslingerd, hetgeen natuurlijk gevaarlijk is. Breng daarom het zaagblad omhoog ALLEEN nadat het volledig tot stilstand is gekomen.
- Wanneer u het handvat omlaag drukt, dient u druk uit te oefenen evenwijdig met het zaagblad. Indien u verticale druk op het draaibaar voetstuk uitoefent of de drukrichting tijdens het zagen verandert, zal de zaagsnede minder nauwkeurig zijn.
- Voor linkse schuine sneden dient de hulpgeleider altijd naar de linker positie te worden geschoven.

5. Gecombineerd zagen

Gecombineerd zagen betekent dat het werkstuk tegelijk met een schuine hoek en een verstekhoek wordt gezaagd. Gecombineerd zagen is mogelijk voor de hoeken aangegeven in de onderstaande tabel.

Verstekhoek	Schuine hoek
Links 0° – 47°, rechts 0° – 45°	Links en rechts 0° – 45°
Rechts 52°	Links 0° – 40° en rechts 0° – 45°

Bij een verstekhoek van 45° links en een schuine hoek van 45° links, kunnen werkstukken die maximaal 50 mm hoog en 200 mm breed zijn worden gezaagd.

Bij een verstekhoek van 45° rechts en een schuine hoek van 45° links, kunnen werkstukken die maximaal 50 mm hoog en 215 mm breed zijn worden gezaagd.

Bij een verstekhoek van 45° links en rechts en een schuine hoek van 45° rechts, kunnen werkstukken die maximaal 31 mm hoog en 215 mm breed zijn worden gezaagd.

Voor de bedieningen voor gecombineerd zagen, zie de uitleg onder "Drukkend zagen", "Glijdend zagen", "Verstekzagen" en "Schuine sneden zagen".

6. Zagen van aluminium werkstukken

Gebruik vulblokken of afgedankte blokstukken voor het vastzetten van aluminium werkstukken, zoals afgebeeld in Fig. 44, om vervorming van de aluminium te voorkomen. Gebruik voor het zagen ook zaagolie, om te voorkomen dat aluminium zaagsel zich op het zaagblad vastzet.

LET OP:

- Probeer nooit om dikke of ronde aluminium werkstukken te zagen. Dikke aluminium werkstukken kunnen tijdens het zagen los komen, terwijl ronde aluminium werkstukken op dit gereedschap niet goed kunnen worden vastgezet. (Fig. 45)

7. Zagen van groeven (Fig. 46)

Sokkel-type zaagsneden kunnen als volgt worden gemaakt: Stel de laagste positie van het zaagblad in met behulp van de stelschroef en de aanslagarm, om de snijdiepte van het zaagblad te beperken. Zie de paragraaf "Aanslagarm" hierboven.

Nadat de laagste positie van het zaagblad is ingesteld, kunt u evenwijdige groeven over de breedte van het werkstuk zagen door glijdend (duwend) te zagen zoals afgebeeld. Verwijder daarna het zaagmateriaal tussen de groeven met behulp van een beitel. Probeer niet om dit soort zaagsnede uit te voeren door gebruikmaking van een breed (dik) zaagblad of een sokkelzaagblad (dadozaagblad). Deze kunnen controleverlies en eventuele verwonding veroorzaken.

LET OP:

- Breng de aanslagarm terug naar zijn oorspronkelijke positie voor andere zaagbedieningen dan het zagen van groeven.

Dragen van het gereedschap

Zorg dat de stekker van het gereedschap uit het stopcontact is getrokken. Zet het zaagblad vast op de 0° schuine hoek en het draaibaar voetstuk op de maximale rechtse verstekhoek. Trek de slede zo ver mogelijk naar u toe en zet de glijstangen vast. Breng het handvat volledig omlaag en vergrendel het in de laagste positie door de aanslagen naar binnen te drukken. (Fig. 47)

Draag het gereedschap door beide zijden van de gereedschapsvoet vast te houden zoals afgebeeld. Het gereedschap is gemakkelijker om dragen wanneer u de houders, stofzak, enz., ervan verwijdert. (Fig. 48)

LET OP:

- Zet alle bewegende onderdelen vast alvorens het gereedschap te dragen.
- De aanslagen dient alleen voor het dragen en opbergen van het gereedschap, en niet voor zaagbedieningen.

ONDERHOUD

LET OP:

- Zorg altijd dat het gereedschap is uitgeschakeld en zijn stekker uit het stopcontact is verwijderd alvorens te beginnen met inspectie of onderhoud.

WAARSCHUWING:

- Zorg altijd dat het zaagblad scherp en schoon is om optimale en veilige prestaties te krijgen.

Afstellen van de zaaghoek

Dit gereedschap werd in de fabriek nauwkeurig afgesteld en uitgelijnd, maar door ruwe behandeling kan de uitlijning ervan verslechterd zijn. Doe het volgende indien uw gereedschap niet meer juist is uitgelijnd:

1. Verstekhoek

Duw de slede naar de geleider toe en draai de knop vast om de slede vast te zetten.

Draai de handgreep los om de draaitafel los te maken. Draai de draaitafel zodat de wijzer wijst naar 0° op de verstekschaal. Draai daarna de draaitafel een beetje naar rechts en naar links zodat hij in de 0° verstek-inkeping komt te zitten. (Laat de draaitafel zoals hij is indien de wijzer niet naar 0° wijst.) Draai de zeskante bouten van de geleider los met de dopsleutel. (Fig. 49)

Breng het handvat volledig omlaag en vergrendel het in de laagste positie door de aanslagpen in te drukken. Gebruik een driehoekslijnaal of een winkelhaak e.d. om de zijde van het zaagblad haaks te zetten ten opzichte van het vlak van de geleider. Draai vervolgens de zeskante bouten op de geleider stevig vast, beginnend vanaf de rechterzijde. (Fig. 50)

Controleer of de wijzer wijst naar 0° op de verstekschaal. Indien de wijzer niet naar 0° wijst, draait u de bevestigingsschroef van de wijzer los en stelt u de wijzer juist in zodat hij naar 0° wijst. (Fig. 51)

2. Schuine hoek

1) 0° schuine hoek

Duw de slede naar de geleider toe en draai de knop vast om de slede vast te zetten. Breng het handvat helemaal omlaag en vergrendel het in de laagste positie door de aanslagpen in te drukken. Draai de hendel aan de achterzijde van de machine los. Zorg ervoor dat de arm is vergrendeld. (Fig. 52)

Draai de zeskant bout op de linkerzijde van de arm twee of drie slagen naar links. Draai de zeskant bout op de rechterzijde van de arm twee of drie slagen naar links om het zaagblad naar links te doen hellen. (Fig. 53)

Zet de zijde van het zaagblad haaks ten opzichte van het bovenvlak van het draagbaar voetstuk door de zeskant bout op de rechterzijde van de arm voorzichtig naar rechts te draaien; gebruik hiervoor een driehoekslijnaal of een winkelhaak e.d. Draai de zeskant bout op de linkerzijde van de arm zo ver mogelijk naar rechts vast. Draai daarna de hendel stevig vast. (Fig. 54)

Controleer of de twee wijzers op de arm allebei 0° op de schuine-hoek schaalverdeling op de armhouder aanwijzen. Indien niet, maak dan de bevestigingsschroeven van de wijzers los en verstel de wijzers zodanig dat zij naar 0° wijzen. (Fig. 55)

2) 45° schuine hoek (Fig. 56)

Stel de 45° schuine hoek pas in nadat de 0° schuine hoek is ingesteld. Voor het instellen van de linkse 45° schuine hoek, draait u de hendel los en kantelt u het zaagblad volledig naar links. Controleer of de wijzer op de arm wijst naar 45° op de schuine-hoek schaalverdeling op de armhouder. Indien niet, dan verdraait u de stelbout voor de linkse 45° schuine hoek op de zijkant van de armhouder totdat de wijzer naar 45° wijst.

Ga op dezelfde wijze te werk voor het instellen van de rechtse 45° schuine hoek.

Afstelling voor soepel schuinzagen (Fig. 57)

De zeskant borgmoer die de arm en de armhouder aan een houdt is in de fabriek ingesteld voor maximaal soepele werking en nauwkeurigheid tijdens schuinzagen. Doe dus geen pogingen om deze instelling te wijzigen. Indien de arm losser van de armhouder raakt, draai dan de zeskant borgmoer met een sleutel vast.

Afstellen van de positie van de laserlijn (Fig. 58 en 59)

Alleen voor Model LS1013L, LS1013FL

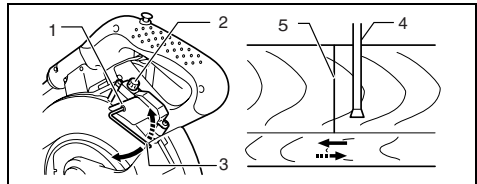
WAARSCHUWING:

- Bij het afstellen van de laserlijn is het gereedschap op het stopcontact aangesloten. Let daarom goed op dat u de trekschakelaar niet indrukt. Bij toevallig indrukken van de trekschakelaar zal de zaag beginnen draaien en kan de gebruiker verwondingen oplopen.

LET OP:

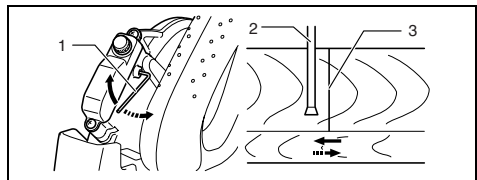
- Kijk nooit direct in de laserstraal. Een directe laserstraal kan oogletsel veroorzaken.
- Stel het gereedschap nooit bloot aan stoten of schokken. Stoten of schokken kunnen leiden tot een onjuiste positie van de laserlijn. Bovendien kan de laserstraal-zender hierdoor beschadigd raken en zal het gereedschap minder lang meegaan.

Afstellen van de laserlijn aan de linkerzijde van het zaagblad



- Schroef voor verandering van het verplaatsingsbereik van de stelschroef
- Stelschroef
- Inbussleutel
- Laserlijn
- Zaagblad

Afstellen van de laserlijn aan de rechterzijde van het zaagblad



- Schroef voor verandering van het verplaatsingsbereik van de stelschroef
- Zaagblad
- Laserlijn

Voer beide afstellingen als volgt uit.

- Haal de stekker van het gereedschap uit het stopcontact.
- Teken de zaaglijn op het werkstuk en plaats het werkstuk op de draaitafel. Zet het werkstuk voorlopig niet vast met een spanschroef of een soortgelijk bevestigingsmiddel.

3. Breng het zaagblad omlaag door het handvat omlaag te brengen en controleer de positie van het zaagblad in vergelijking met de zaaglijn. (Bepaal de te zagen positie op de zaaglijn.)
4. Nadat de te zagen positie is bepaald, brengt u het handvat terug naar de oorspronkelijke positie. Zet nu het werkstuk vast met de verticale spanschroef zonder daarbij het werkstuk te verschuiven uit de eerder gecontroleerde positie.
5. Steek de stekker in het stopcontact en zet de laserschakelaar aan.
6. Stel de positie van de laserlijn als volgt af.

De positie van de laserlijn verandert wanneer u het verplaatsingsbereik van de stelschroef voor de laser verandert door twee schroeven te draaien met een inbussleutel. (Het verplaatsingsbereik van de laserlijn is in de fabriek ingesteld binnen 1 mm vanaf het zijvlak van het zaagblad.)

Om het verplaatsingsbereik van de laserlijn verder weg van het zijvlak van het zaagblad in te stellen, draait u de stelschroef los en vervolgens draait u de twee schroeven naar links. Draai de stelschroef los en draai de twee schroeven naar rechts om het verplaatsingsbereik dichter bij het zijvlak van het zaagblad in te stellen.

Zie het gedeelte "Werking van de laserstraal" hierboven en stel de stelschroef zodanig in dat de zaaglijn op het werkstuk precies overeenkomt met de laserlijn.

OPMERKING:

- Controleer regelmatig of de positie van de laserlijn nauwkeurig is.
- In geval van een defect in de laserinrichting dient u het gereedschap door een erkend Makita servicecentrum te laten repareren.

Reinigen van de laserstraallens (Fig. 60 en 61)

Alleen voor Model LS1013L, LS1013FL

Als de laserstraallens vuil is of met zaagsel is bedekt zodat de laserlijn niet meer goed zichtbaar is, verwijder dan de stekker uit het stopcontact en reinig de laserstraallens voorzichtig met een bevochtigde, zachte doek. Gebruik nooit oplosmiddelen of benzinehoudende schoonmaakmiddelen op de lens.

Om de laserstraallens te verwijderen, verwijdert u eerst het zaagblad volgens de aanwijzingen onder "Installeren of verwijderen van het zaagblad" en daarna verwijdert u de lens.

Draai met een schroevendraaier de bevestigingsschroef van de lens los zonder de schroef te verwijderen.

Trek de lens eruit zoals afgebeeld.

OPMERKING:

- Als de lens niet eruit komt, draai dan de schroef iets verder los zonder deze te verwijderen en probeer opnieuw om de lens eruit te trekken.

Vervangen van de TL-buis (Fig. 62)

Alleen voor Model LS1013F, LS1013FL

LET OP:

- Zorg altijd dat het gereedschap is uitgeschakeld en zijn stekker uit het stopcontact is verwijderd alvorens de TL-buis te vervangen.
- Bescherm de TL-buis tegen stoten, krassen of schokken, waardoor het glas van de TL-buis zou kunnen breken met mogelijke verwonding als gevolg.

- Laat de TL-buis na het gebruik een tijdje afkoelen alvorens deze te vervangen. De buis is dan nog heet en kan brandwonden veroorzaken.

Verwijder de schroeven van de lampkast. Trek de lampkast eruit terwijl u lichtjes blijft drukken op het bovenste gedeelte, zoals afgebeeld in Fig. 62.

Trek de TL-buis eruit en vervang deze door een nieuwe originele Makita TL-buis.

Vervangen van de koolborstels (Fig. 63 en 64)

Verwijder en controleer regelmatig de koolborstels. Vervang de koolborstels wanneer deze tot aan de limietmerkstreep versleten zijn. Houd de koolborstels schoon zodat ze vlot in hun houders glijden. Beide koolborstels dienen tegelijkertijd te worden vervangen. Gebruik uitsluitend identieke koolborstels.

Gebruik een schroevendraaier om de koolborsteldoppen te verwijderen. Haal de versleten koolborstels eruit, schuif de nieuwe erin, en zet de koolborsteldoppen goed vast.

Na het gebruik

- Veeg na gebruik alle zaagsel en stof op het gereedschap eraf met een doek of iets dergelijks. Houd de veiligheidskap schoon volgens de instructies die in de paragraaf "Veiligheidskap" werden beschreven. Smeer de glijdende onderdelen in met machine-olie om roestvorming te voorkomen.
- Wanneer u de machine opbergt, moet u de slede zo ver mogelijk naar u toe trekken zodat de glijstangen helemaal in het draaibaar voetstuk komen te zitten.

Om de VEILIGHEID en BETROUWBAARHEID van het gereedschap te handhaven, dienen alle reparaties, onderhoud of afstellingen te worden uitgevoerd bij een erkend Makita servicecentrum, en altijd met gebruik van Makita vervangingsonderdelen.

ACCESSOIRES

LET OP:

- Deze accessoires of hulpstukken worden aanbevolen voor gebruik met het Makita gereedschap dat in deze gebruiksaanwijzing is beschreven. Bij gebruik van andere accessoires of hulpstukken bestaat er gevaar voor persoonlijke verwonding. Gebruik de accessoires of hulpstukken uitsluitend voor hun bestemd doel.

Wenst u meer bijzonderheden over deze accessoires, neem dan contact op met het plaatselijke Makita servicecentrum.

- Zaagbladen met stalen, hardmetalen tanden
- Stofzak
- Hulpgeleider R
- Elleboogstuk
- Spanschroef compleet (Horizontale spanschroef)
- Driehoeksliniaal
- Verticale spanschroef
- Ontgrendelknop (2 stuks)
- Dopsleutel 13
- Zaagsnedeblok
- Houder
- TL-buis (voor LS1013F, LS1013FL)
- Inbussleutel (voor LS1013L, LS1013FL)

Explicación de los dibujos

1 Pasador de retén	34 Flecha	66 Tornillo
2 Perno	35 Bloqueo del eje	67 Escala de inglete
3 Guarda del disco	36 Brida interior	68 Puntero
4 Fijador	37 Eje	69 Escala de biselado
5 Placa de corte	38 Anillo	70 Punteros
6 Disco de sierra	39 Brida exterior	71 Soporte del brazo
7 Dientes del disco	40 Perno hexagonal (roscas hacia la izquierda)	72 Perno de ajuste del ángulo de 45° del bisel derecho
8 Corte en bisel izquierdo	41 Boquilla de serrín	73 Perno de ajuste del ángulo de 45° del bisel izquierdo
9 Corte recto	42 Bolsa de polvo	74 Contratuerca hexagonal
10 Corte en bisel derecho	43 Cierre	75 Bloque de hendidura
11 Perno de ajuste	44 Apoyo	76 Pieza de trabajo
12 Base giratoria	45 Base giratoria	77 Línea de corte
13 Superficie superior de la base giratoria	46 Guía auxiliar	78 Mordaza vertical
14 Periferia del disco	47 Guía auxiliar derecha	79 Destornillador
15 Guía lateral	48 Tornillos	80 Tornillo (una pieza solamente)
16 Tornillo de ajuste	49 Brazo de la mordaza	81 Lente de la luz láser
17 Brazo de tope	50 Barra de la mordaza	82 Marca de límite
18 Palanca de bloqueo	51 Tornillo	83 Tapón portaescobillas
19 Mango	52 Pomo de la mordaza	84 Luz
20 Puntero	53 Escuadra de guía	85 Interruptor de la luz
21 Escala de inglete	54 Placa de la mordaza	86 Extraer
22 Palanca	55 Tuerca de la mordaza	87 Presionar
23 Brazo	56 Soporte	88 Caja de la lámpara
24 Escala de bisel	57 Fijador	89 Tornillos
25 Botón de desbloqueo	58 Mordaza	90 Tubo fluorescente
26 Gatillo interruptor	59 Bloque espaciador	91 Caja de polvo
27 Empuñadura	60 Extrusión de aluminio	92 Cubierta
28 Interruptor para láser	61 Bloque espaciador	93 Botón
29 Llave de tubo	62 Mordaza horizontal (accesorio opcional)	94 Parte del cilindro
30 Portallaves	63 Ranuras abiertas con la sierra	95 Serrín
31 Cubierta central	64 Perno hexagonal	
32 Perno de cabeza hexagonal	65 Escuadra	
33 Caja del disco		


ESPECIFICACIONES

Modelo

LS1013/LS1013F/LS1013L/LS1013FL

Diámetro del disco..... 250 – 260 mm
 Diámetro del agujero.....
 Para todos los países excepto los europeos25,4 mm y 25 mm
 Para los países europeos 30 mm
 Capacidades máximas de corte (alto x ancho) con una hoja de 260 mm de diámetro

Ángulo de inglete	Ángulo del bisel		
	45° (izquierdo)	0°	45° (derecho)
0°	50 mm x 310 mm	91 mm x 310 mm	31 mm x 310 mm
45° (izquierdo y derecho)	(izquierdo) 50 mm x 200mm (derecho) 50 mm x 220 mm	91 mm x 220 mm	31 mm x 220 mm
52° (derecho)	—	91 mm x 190 mm	—

Velocidad en vacío (min⁻¹) 3.700
 Tipo de láser (LS1013L/LS1013FL solamente)..... Láser rojo de 650 nm, <1mW (Láser Clase 2)
 Dimensiones (L x A x A)
 LS1013/LS1013F715 mm x 520 mm x 625 mm
 LS1013L/LS1013FL 715 mm x 520 mm x 640 mm
 Peso neto
 LS1013/LS1013F21 kg
 LS1013L/LS1013FL22 kg
 Clase de seguridad  /II

- Debido a nuestro continuado programa de investigación y desarrollo, las especificaciones aquí ofrecidas están sujetas a cambios sin previo aviso.
- Nota: Las especificaciones pueden variar de un país a otro.

Uso previsto

La herramienta ha sido prevista para hacer cortes precisos rectos y de inglete en madera. Con discos de sierra apropiados, también se puede serrar aluminio.

Alimentación

La herramienta ha de conectarse solamente a una fuente de alimentación de la misma tensión que la indicada en la placa de características, y sólo puede funcionar con corriente alterna monofásica. Está doblemente aislada de acuerdo con las normas europeas y puede, por lo tanto, usarse también en enchufes sin conductor de tierra.

Sugerencias de seguridad

Para su propia seguridad, consulte las instrucciones de seguridad incluidas.

NORMAS DE SEGURIDAD ADICIONALES PARA LA HERRIMIENTO

1. **Utilice protección para los ojos.**
2. **Mantenga las manos apartadas del recorrido del disco de sierra.** Evite el contacto con cualquier disco cuando esté girando por inercia. Incluso entonces puede causar heridas graves.
3. **No utilice la sierra sin las guardas puestas.** Compruebe que la guarda del disco se cierra debidamente antes de cada uso. **No utilice la sierra si la guarda del disco no se mueve libremente y se cierra instantáneamente. No sujete ni ate nunca la guarda del disco en la posición abierta.**
4. **No realice ninguna operación sin sujetar la pieza de trabajo.** La pieza de trabajo deberá estar sujeta firmemente contra la base giratoria y la guía lateral con la mordaza durante todas las operaciones. No utilice nunca su mano para sujetar la pieza de trabajo.
5. **No se acerque nunca alrededor del disco de sierra.**
6. **Apague la herramienta y espere hasta que el disco de sierra se haya parado antes de mover la pieza de trabajo o de cambiar los ajustes.**
7. **Desenchufe la herramienta antes de cambiar el disco o hacerle el mantenimiento.**
8. **Sujete siempre todas las partes móviles antes de transportar la herramienta.**
9. **El pasador de tope que bloquea el cabezal de corte en posición bajada es solamente para transportar y almacenar la herramienta y no para ninguna operación de corte.**
10. **No utilice la herramienta donde haya líquidos o gases inflamables.**
11. **Inspeccione cuidadosamente el disco antes de la operación para ver si tiene grietas o está dañado. Sustituya inmediatamente el disco si está agrietado o dañado.**
12. **Utilice solamente las bridas especificadas para esta herramienta.**
13. **Tenga cuidado de no dañar el eje, las bridas (en especial la superficie de instalación) o el perno. Si estas piezas resultan dañadas se podrá romper el disco.**
14. **Asegúrese de que la base giratoria esté debidamente sujeta de forma que no se mueva durante la operación.**
15. **Por su propia seguridad, antes de iniciar la operación quite las virutas, pequeños trozos de material, etc. de la superficie superior de la mesa.**
16. **Evite cortar clavos. Antes de iniciar la operación, inspeccione y extraiga todos los clavos que haya en la pieza de trabajo.**
17. **Antes de activar el interruptor, asegúrese de que el bloqueo del eje esté quitado.**
18. **Asegúrese de que el disco no toque la base giratoria cuando esté en la posición más baja.**
19. **Sujete la empuñadura firmemente. Tenga presente que la sierra se mueve un poco hacia arriba y hacia abajo durante el inicio y la parada.**
20. **Asegúrese de que el disco no esté tocando la pieza de trabajo antes de activar el interruptor.**
21. **Antes de utilizar la herramienta para cortar la pieza de trabajo definitiva, déjela funcionar durante un rato. Observe para ver si se producen vibraciones o bamboleos que puedan indicar que el disco está mal instalado o mal equilibrado.**
22. **Espere a que el disco alcance plena velocidad antes de cortar.**
23. **Detenga la operación inmediatamente si nota algo anormal.**
24. **No intente bloquear el gatillo en la posición activada.**
25. **Esté alerta en todo momento, especialmente durante las operaciones repetitivas y monótonas. No se deje llevar por el falso sentido de seguridad. Los discos de sierra nunca perdonan un descuido.**
26. **Emplee siempre los accesorios recomendados en este manual. El empleo de accesorios incorrectos tales como muelas abrasivas puede ocasionar heridas.**
27. **No utilice la sierra para cortar otra cosa que no sea aluminio, madera o materiales similares.**
28. **Conecte las sierras ingletadoras a un dispositivo de recogida de polvo cuando sierre.**
29. **Seleccione los discos de sierra según el material a cortar.**
30. **Tenga cuidado cuando abra ranuras.**
31. **Reemplace la placa de corte cuando se gaste.**
32. **No utilice discos de sierra fabricados con acero rápido.**
33. **El polvo de las operaciones de corte algunas veces contiene productos químicos que se sabe ocasionan cáncer, defectos de nacimiento u otros peligros relacionados con la reproducción. Algunos ejemplos de estos productos químicos son:**
 - plomo de materiales pintados con pinturas que contengan plomo.
 - arsénico y cromo de maderas tratadas químicamente.

El riesgo al que se expone variará, dependiendo de la frecuencia con la que realice este tipo de trabajo. Para reducir la exposición a estos productos químicos: trabaje en un área bien ventilada y póngase el equipo de seguridad indicado, tal como esas máscaras contra el polvo que están especialmente diseñadas para filtrar partículas microscópicas.

34. Para reducir el ruido emitido, asegúrese siempre de que el disco esté afilado y limpio.
35. El operario deberá estar debidamente preparado para utilizar, ajustar y manejar la herramienta.
36. Utilice discos de sierra correctamente afilados. Observe la velocidad máxima marcada en el disco de sierra.
37. Absténgase de retirar cualquier recorte u otras partes de la pieza de trabajo del área de corte mientras la herramienta esté en marcha y la cabeza de la sierra no esté en posición de descanso.

GUARDE ESTAS INSTRUCCIONES

INSTALACIÓN

Montaje de la sierra en un banco

Cuando la herramienta sale de fábrica, la empuñadura está bloqueada en su posición bajada con el pasador de retén. Suelte el pasador de retén bajando ligeramente la empuñadura y tirando de él. (Fig. 1)

Esta herramienta se deberá fijar con pernos en una superficie nivelada y estable utilizando los agujeros para pernos provistos en la base de la herramienta. Esto ayudará a evitar que se vuelque y pueda ocasionar heridas. (Fig. 2)

DESCRIPCIÓN DEL FUNCIONAMIENTO

PRECAUCIÓN:

- Asegúrese siempre de que la herramienta esté apagada y desenchufada antes de intentar realizar cualquier tipo de ajuste o comprobación en la ella.

Guarda del disco (Fig. 3 y 4)

Al bajar la empuñadura, la guarda del disco se sube automáticamente. La guarda retorna a su posición original cuando se completa el corte y se sube la empuñadura. **NO ANULE NI QUITE NUNCA EL PROTECTOR DE DISCO NI EL RESORTE QUE HAY EN EL PROTECTOR.**

En beneficio de su seguridad personal, mantenga la guarda del disco siempre en buen estado. Cualquier irregularidad en el funcionamiento de la guarda del disco deberá ser corregida inmediatamente. Compruebe para asegurarse de que la guarda retorna accionada por resorte. **NO UTILICE NUNCA LA HERRAMIENTA SI LA GUARDA DEL DISCO O EL RESORTE ESTÁ DAÑADO, DEFECTUOSO O QUITADO. UTILIZARLA ASÍ ES MUY PELIGROSO Y PUEDE OCASIONAR HERIDAS PERSONALES GRAVES.**

Si la guarda de disco transparente se ensucia, o si se adhiere a ella serrín de tal forma que no pueda verse fácilmente el disco y/o la pieza de trabajo, desenchufe la sierra y limpie la guarda cuidadosamente con un paño húmedo. No utilice disolventes ni ningún limpiador derivado del petróleo en la guarda de plástico.

Si la guarda del disco está especialmente sucia y no se puede ver bien a través de ella, afloje el perno de cabeza hexagonal que sujeta la cubierta central utilizando la llave de tubo suministrada.

Afloje el perno de cabeza hexagonal girándolo hacia la izquierda y suba la guarda del disco y la cubierta central. Con la guarda del disco en esta posición, la limpieza puede realizarse de forma más completa y eficiente. Cuando haya completado la limpieza, invierta el procedimiento de arriba para apretar el perno. No quite el resorte que sujeta la guarda del disco. Si la guarda se descolora con el paso del tiempo o por la exposición a la luz ultravioleta, póngase en contacto con un centro de servicio Makita para adquirir una guarda nueva. **NO ANULE NI QUITE LA GUARDA.**

Posicionamiento de las placas de corte

(Fig. 5 y 6)

Esta herramienta se provee con placas de corte en la base giratoria para minimizar el desgarro en el lado de salida de un corte. Las placas de corte se ajustan en fábrica para que el disco de sierra no las toque. Antes de usar la herramienta, ajuste las placas de corte de la forma siguiente:

En primer lugar, desenchufe la herramienta. Afloje todos los tornillos (2 en cada lado derecho e izquierdo) que sujetan las placas de corte. Apriételos otra vez pero solamente hasta el punto en el que las placas de corte puedan seguir moviéndose fácilmente con la mano. Baje la empuñadura completamente y empuje hacia dentro el pasador de tope para bloquear la empuñadura en la posición bajada. Afloje el fijador que sujeta las barras deslizables. Tire del carro hacia usted completamente. Ajuste las placas de corte de forma que justamente hagan contacto con los laterales de los dientes del disco. Apriete los tornillos delanteros (no los apriete mucho). Empuje el carro hacia la guía lateral completamente y ajuste las placas de corte de forma que justamente hagan contacto con los laterales de los dientes del disco. Apriete los tornillos traseros (no los apriete mucho). Después de ajustar las placas de corte, suelte el pasador de tope y suba la empuñadura. Después apriete todos los tornillos firmemente.

PRECAUCIÓN:

- Antes y después de cambiar el ángulo de bisel, ajuste siempre las placas de corte como se describe arriba.

Mantenimiento de la capacidad de corte máxima

(Fig. 7 y 8)

Desenchufe la herramienta antes de intentar ningún ajuste. Esta herramienta ha sido ajustada en fábrica para ofrecer la capacidad de corte máxima para una hoja de sierra de 255 mm.

Cuando instale un disco nuevo, compruebe siempre la posición del límite inferior del disco y, si es necesario, ajústela de la forma siguiente:

En primer lugar, desenchufe la herramienta. Empuje el carro hacia la guía lateral completamente y baje la empuñadura completamente. Utilizando la llave de tubo, gire el perno de ajuste hasta que la periferia del disco quede ligeramente por debajo de la superficie superior de la base giratoria en el punto donde la cara delantera de la guía lateral converge con la superficie superior de la base giratoria.

Con la herramienta desenchufada, gire el disco con la mano mientras sujeta la empuñadura bajada completamente para asegurarse de que el disco no toca ninguna parte de la base inferior. Reajuste ligeramente, si es necesario.

PRECAUCIÓN:

- Después de instalar un disco nuevo, asegúrese siempre de que el disco no toca ninguna parte de la base inferior cuando la empuñadura esté bajada completamente. Haga esto siempre con la herramienta desenchufada.

Brazo de tope (Fig. 9)

La posición inferior máxima del disco puede ajustarse fácilmente con el brazo de tope. Para ajustarla, gire el brazo de tope en el sentido de la flecha como se muestra en la figura. Ajuste el tornillo de fijación de forma que el disco se pare en la posición deseada cuando baje completamente la empuñadura.

Ajuste del ángulo de inglete (Fig. 10)

Afloje el mango girándolo hacia la izquierda. Gire la base giratoria a la vez que presiona hacia abajo la palanca de bloqueo. Cuando haya movido el mango a la posición donde el puntero apunte al ángulo deseado en la escala de inglete, apriete el mango firmemente girándolo hacia la derecha.

PRECAUCIÓN:

- Cuando gire la base giratoria, asegúrese de subir la empuñadura completamente.
- Después de cambiar el ángulo de inglete, sujete siempre la base giratoria apretando el mango firmemente.

Ajuste del ángulo de bisel (Fig. 11 y 12)

Para ajustar el ángulo de bisel, afloje la palanca de la parte trasera de la herramienta moviéndola hacia la izquierda. Desbloquee el brazo empujando la empuñadura energícamente en la dirección que quiera inclinar el disco.

Incline el disco hasta que el puntero apunte hacia el ángulo deseado en la escala de bisel. Después apriete la palanca hacia la derecha para sujetar el brazo.

PRECAUCIÓN:

- Cuando vaya a inclinar el disco de sierra, asegúrese de subir la empuñadura completamente.
- Después de cambiar ángulo de bisel, sujete siempre el brazo apretando la palanca hacia la derecha.
- Cuando quiera cambiar el ángulo de bisel, asegúrese de posicionar las placas de corte debidamente como se explica en la sección "Posicionamiento de las placas de corte".

Accionamiento del gatillo interruptor

PRECAUCIÓN:

- Antes de enchufar la herramienta, compruebe siempre para asegurarse de que el gatillo interruptor se acciona debidamente y regresa a la posición "OFF" cuando se suelta.
- Cuando no vaya a utilizar la herramienta, quite el botón de desbloqueo y guárdelo en un lugar seguro. De esta forma evitará que la herramienta pueda ser utilizada sin su autorización.
- No apriete con fuerza el gatillo interruptor sin presionar hacia dentro el botón de desbloqueo. Podría romper el interruptor.

Para países europeos (Fig. 13)

Para evitar que el gatillo interruptor pueda ser apretado accidentalmente, se ha provisto un botón de desbloqueo. Para encender la herramienta, empuje la palanca hacia la izquierda, meta el botón de bloqueo del encendido y luego apriete el gatillo. Suelte el gatillo interruptor para parar.

Para todos los países excepto los europeos (Fig. 14)

Para evitar que el gatillo interruptor pueda ser apretado accidentalmente, se ha provisto un botón de desbloqueo. Para poner en marcha la herramienta, presione hacia dentro el botón de desbloqueo y apriete el gatillo interruptor. Suelte el gatillo interruptor para parar.

ADVERTENCIA:

- No utilice NUNCA la herramienta si el gatillo interruptor no funciona perfectamente bien. Cualquier herramienta cuyo interruptor no funcione bien será MUY PELIGROSA y deberá ser reparada antes de seguir utilizándola.
- Por su propia seguridad, esta herramienta está equipada con un botón de desbloqueo que impide que la herramienta pueda ser puesta en marcha sin querer. No utilice NUNCA la herramienta si se pone en marcha cuando usted simplemente aprieta el gatillo interruptor sin presionar el botón de desbloqueo. Lleve la herramienta a un centro de servicio Makita para que le hagan las reparaciones apropiadas ANTES de seguir utilizándola.
- No sujete NUNCA con cinta adhesiva ni anule el propósito y la función del botón de desbloqueo.

Encendido de las lámparas (Fig. 15 y 16)

Para el modelo LS1013F, LS1013FL solamente

PRECAUCIÓN:

- Esta no es una luz impermeable. No lave la luz en agua ni la utilice en un lugar con lluvia o mojado. El hacerlo podrá ocasionar una descarga eléctrica y humos.
- No toque la lente de la luz, porque estará muy caliente mientras esté encendida o poco después de haberla apagado. Si la toca podrá producirle quemaduras en el cuerpo.
- No dé golpes a la luz, porque podrá producirle daños o acortar el tiempo de servicio de la misma.
- No mantenga el foco de la luz dirigido hacia sus ojos. Ello podría producir daños a sus ojos.
- No cubra la luz con ropas, cartón, cartulina u objetos similares mientras esté encendida, porque podrá ocasionar un incendio o fuego.

Presione la parte superior del interruptor para encender la luz y la parte inferior para apagarla.

Mueva la luz para cambiar el área de alumbrado.

NOTA:

- Utilice un paño seco para limpiar la suciedad de la lente de la lámpara. Tenga cuidado de no rayar la lente de la luz, porque podrá reducirse la iluminación.

Bloque de hendidura (Accesorio opcional) (Fig. 17 y 18)

PRECAUCIÓN:

- Cuando utilice el bloque de hendidura, corte siempre con el mismo ángulo de inglete.
- Cuando cambie el ángulo de inglete, utilice otros bloques de hendidura.
- Cuando realice cortes de bisel, no utilice nunca el bloque de hendidura. En caso contrario, se romperá el bloque, pudiendo ocasionar graves heridas al operario.

Cuando utilice el bloque de hendidura en cortes a 90°, podrá cortar la pieza de trabajo sin que se astille en el lado de la guía lateral (altura máxima de la pieza de trabajo 35 mm). Instale el bloque de hendidura en la guía lateral con los dos tornillos. (Ajuste la guía lateral y el bloque de hendidura de forma que sus caras queden en contacto. Luego apriete firmemente los tornillos.)

Accionamiento del rayo láser

Para el modelo LS1013L, LS1013FL solamente

PRECAUCIÓN:

- No mire nunca directamente al rayo láser. El rayo láser directo puede dañar sus ojos.
- **RADIACIÓN LÁSER. NO SE QUEDA MIRANDO AL RAYO LÁSER NI LO VEA DIRECTAMENTE CON INSTRUMENTOS ÓPTICOS. PRODUCTO LÁSER CLASE 2M.**

Para encender el rayo láser, presione la posición superior (I) del interruptor. Presione la posición inferior (O) para apagar. (Fig. 19)

La línea láser puede moverse tanto hacia el lado izquierdo como el derecho del disco ajustando el tornillo de ajuste de la forma siguiente. (Fig. 20)

1. Afloje el tornillo de ajuste girándolo hacia izquierda.
2. Con el tornillo de ajuste aflojado, deslice el tornillo de ajuste hacia la derecha o hacia la izquierda a tope.
3. Apriete el tornillo de ajuste firmemente en la posición donde deje de deslizarse.

La línea láser se ajusta en fábrica de forma que está posicionada en 1 mm desde la superficie lateral del disco (posición de corte).

NOTA:

- Cuando la línea láser sea débil y casi o totalmente invisible debido a la luz solar directa en exteriores o en interiores cerca de una ventana donde se trabaja, rebuque el área de trabajo a un lugar no expuesto a la luz solar directa.

Alineación de la línea láser (Fig. 21)

La línea láser se puede cambiar al lado derecho o izquierdo del disco de acuerdo con las aplicaciones de corte. Consulte la explicación titulada "Accionamiento del rayo láser" referente a su método de cambio.

NOTA:

- Cuando quiera alinear la línea de corte con la línea láser en el lado de la guía lateral en corte compuesto (ángulo de bisel de 45 grados y ángulo de inglete derecho de 45 grados), utilice una guarnición de madera contra la guía lateral.

- A) Cuando obtenga el tamaño correcto en el lado izquierdo de la pieza de trabajo
 - Cambie la línea láser al lado izquierdo del disco.
- B) Cuando obtenga el tamaño correcto en el lado derecho de la pieza de trabajo
 - Cambie la línea láser al lado derecho del disco.

Alinee la línea de corte de su pieza de trabajo con la línea láser.

MONTAJE

PRECAUCIÓN:

- Asegúrese siempre de que la herramienta esté apagada y desenchufada antes de intentar realizar cualquier trabajo en ella.

Almacenamiento de la llave de tubo (Fig. 22)

La llave de tubo se almacena como se muestra en la figura. Cuando quiera utilizar la llave de tubo, extráigala del portallaves. Después de utilizar la llave de tubo, póngala otra vez en el portallaves.

Instalación o desmontaje del disco de sierra

PRECAUCIÓN:

- Asegúrese siempre de que la herramienta esté apagada y desenchufada antes de instalar o desmontar el disco.
- Utilice solamente la llave de tubo Makita provista para instalar o desmontar el disco. Si no lo hace así, el perno de cabeza hexagonal podrá quedar excesiva o insuficientemente apretado. Esto podría ocasionar heridas personales.

Bloquee la empuñadura en la posición levantada empujando hacia dentro el pasador de tope. (Fig. 23)

Para desmontar el disco, afloje el perno hexagonal que sujeta la cubierta central girándolo hacia la izquierda utilizando la llave de tubo. Suba la guarda del disco y la cubierta central. (Fig. 24)

Presione el bloque del eje para bloquear el eje y afloje el perno de cabeza hexagonal girándolo hacia la derecha con la llave de tubo. Después quite el perno de cabeza hexagonal, la brida exterior y el disco. (Fig. 25)

Para instalar el disco, móntelo con cuidado en el eje, asegurándose de que la dirección de la flecha de la superficie del disco coincida con la dirección de la flecha de la caja del disco. Instale la brida exterior y el perno de cabeza hexagonal, y después apriete el perno de cabeza hexagonal con la llave de tubo (rosca hacia la izquierda) firmemente girándolo hacia la izquierda a la vez que presiona el bloque del eje. (Fig. 26)

Para todos los países excepto los europeos

PRECAUCIÓN:

- El anillo negro de 25 mm de diámetro exterior y el anillo plateado de 25,4 mm del diámetro exterior se instalan en fábrica como se muestra en la figura. Cuando utilice un disco con agujero de 25 mm de diámetro, reemplace el anillo plateado con el anillo negro. Antes de montar el disco en el eje, asegúrese siempre de que esté instalado entre las bridas interior y exterior el anillo correcto para el agujero del disco que vaya a utilizar. (Fig. 27)

Para países europeos

PRECAUCIÓN:

- El anillo de 30 mm de diámetro exterior se instala en fábrica entre las bridas interior y exterior.

Instale la brida exterior y el perno de cabeza hexagonal, y después apriete el perno de cabeza hexagonal con la llave de tubo firmemente girándolo hacia la izquierda a la vez que presiona el bloqueo del eje.

Vuelva a poner la guarda del disco y la cubierta central en sus posiciones originales. Después apriete el perno de cabeza hexagonal girándolo hacia la derecha para sujetar la cubierta central. Suelte la empuñadura de la posición levantada tirando del pasador de tope. Baje la empuñadura para asegurarse de que la guarda del disco se mueve debidamente. Asegúrese de que el bloqueo del eje haya soltado el eje antes de hacer el corte. (Fig. 28)

Bolsa de polvo (accesorio) (Fig. 29)

La utilización de la bolsa de polvo permite realizar operaciones de corte limpias y recoger fácilmente el polvo. Para poner la bolsa de polvo, inserte la boquilla de serrín en el tubo de descarga de serrín de la caja del disco y coloque la boca de la bolsa en la boquilla de serrín. Cuando la bolsa de polvo esté medio llena, quítela de la herramienta y extraiga el cierre. Vacíe la bolsa de polvo golpeándola ligeramente con objeto de extraer las partículas adheridas en el interior para que no impidan la posterior recogida de polvo.

NOTA:

- Si conecta un aspirador Makita a su sierra, podrá realizar operaciones más eficaces y limpias.

Caja de polvo (accesorio) (Fig. 30, 31 y 32)

Inserte la caja de polvo en la boquilla de serrín.

Vacíe la caja de polvo lo antes posible.

Para vaciar la caja de polvo, abra la cubierta empujando el botón y vierta fuera el serrín. Vuelva a poner la cubierta en la posición original de forma que quede bloqueada. Puede quitar fácilmente la caja de polvo agarrándola cerca de la boquilla de serrín en la herramienta y tirando de ella hacia fuera a la vez que la gira.

NOTA:

- Si conecta un aspirador Makita a esta herramienta, podrá realizar operaciones más eficaces y limpias.

PRECAUCIÓN:

- Vacíe la caja de polvo antes de que el nivel de serrín recogido llegue a la parte del cilindro.

Sujeción de la pieza de trabajo

ADVERTENCIA:

- Es muy importante que sujete siempre la pieza de trabajo debida y firmemente con la mordaza. En caso de no hacerlo podrá ocasionar daños a la herramienta y/o echar a perder la pieza de trabajo. TAMBIÉN PODRÁ RESULTAR EN HERIDAS PERSONALES. Además, después de una operación de corte, NO suba el disco hasta que se haya parado completamente.

PRECAUCIÓN:

- Cuando corte piezas de trabajo largas, utilice apoyos que sean tan altos como el nivel de la superficie superior de la base giratoria. No dependa únicamente de la mordaza vertical y/o mordaza horizontal para sujetar la pieza de trabajo.

El material fino tiende a combarse. Apoye la pieza de trabajo en toda su longitud para evitar que el disco se atranque y que posiblemente se produzca un RETROCESO BRUSCO. (Fig. 33)

Guía auxiliar

Esta herramienta está equipada con la guía auxiliar. Deberá ser colocada como se muestra en la Fig. 34.

Sin embargo, cuando realice cortes en bisel izquierdo, posicónela hacia la izquierda como se muestra en la Fig. 35.

PRECAUCIÓN:

- Cuando realice cortes de bisel izquierdo, ponga la guía en la posición izquierda como se muestra en la Fig. 35. De lo contrario, tocará el disco o una parte de la herramienta, ocasionando posiblemente heridas graves al operario.

Guía auxiliar derecha (accesorio opcional) (Fig. 36)

La guía auxiliar derecha se puede instalar en el lado derecho de la guía lateral. Inserte las barras de la guía auxiliar derecha en los agujeros de la guía lateral. Sujete la guía auxiliar derecha con los tornillos que vienen con ella.

PRECAUCIÓN:

- Cuando haga cortes en bisel derecho, no utilice nunca la guía auxiliar derecha. Hará contacto con el disco o alguna parte de la herramienta, pudiendo ocasionarle graves heridas.

Mordaza vertical (Fig. 37)

La mordaza vertical puede instalarse en dos posiciones tanto en el lado izquierdo como en el derecho de la guía lateral así como en la base. Inserte la barra de la mordaza en el agujero de la parte trasera de la guía lateral para sujetar la barra de la mordaza.

Posicione el brazo de la mordaza de acuerdo con el grosor y forma de la pieza de trabajo y sujete el brazo de la mordaza apretando el tornillo. Si el tornillo para sujetar el brazo de la mordaza toca la guía lateral, instale el tornillo en el lado opuesto del brazo de la mordaza. Asegúrese de que ninguna parte de la herramienta toque la mordaza cuando baje la empuñadura completamente o tire o empuje el carro a tope. Si alguna parte toca la mordaza, ponga la mordaza en otro sitio.

Presione la pieza de trabajo de forma que quede plana contra la guía lateral y la base giratoria. Ponga la pieza de trabajo en la posición de corte deseada y sujétela firmemente apretando el pomo de la mordaza.

PRECAUCIÓN:

- La pieza de trabajo deberá estar sujeta firmemente contra la base giratoria y la guía lateral con la mordaza durante todas las operaciones.

Mordaza horizontal (accesorio opcional)

(Fig. 38 y 39)

La mordaza horizontal se puede instalar en dos posiciones tanto en el lado izquierdo como en el derecho de la base. Cuando quiera hacer cortes en inglete de más de 15°, instale la mordaza horizontal en el lado opuesto a la dirección en la que vaya a ser girada la base giratoria.

Poniendo la tuerca de la mordaza hacia la izquierda, la mordaza se suelta, y se puede mover rápidamente hacia dentro y afuera. Para sujetar la pieza de trabajo, empuje el pomo de la mordaza hacia delante hasta que la placa de la mordaza haga contacto con la pieza de trabajo y después ponga la tuerca de la mordaza hacia la derecha. Después gire el pomo de la mordaza hacia la derecha para sujetar la pieza de trabajo.

La anchura máxima de la pieza de trabajo que se puede sujetar con la mordaza horizontal es de 200 mm.

Cuando instale la mordaza horizontal en el lado derecho de la base, utilice también la guía auxiliar derecha para sujetar la pieza de trabajo más firmemente. Consulte la sección "Guía auxiliar derecha" descrita más atrás para instalar la guía auxiliar derecha.

PRECAUCIÓN:

- Ponga siempre la tuerca de la mordaza completamente hacia la derecha cuando sujete la pieza de trabajo. En caso contrario podrá resultar en una insuficiente sujeción de la pieza de trabajo. Esto podrá hacer que la pieza de trabajo salga lanzada, ocasionar daños al disco u ocasionar la pérdida del control, que podrá resultar en HERIDAS PERSONALES.

Soportes (Fig. 40)

Los soportes se pueden instalar en cualquiera de los lados como medio útil para sujetar piezas de trabajo horizontalmente. Deslice las barras de los soportes dentro de los agujeros de la base y ajuste su longitud de acuerdo con la pieza de trabajo que quiera sujetar. Después apriete los soportes firmemente con los tornillos.

PRECAUCIÓN:

- Apoye siempre las piezas de trabajo largas a nivel con la superficie de la base giratoria para realizar cortes precisos y evitar una peligrosa pérdida del control de la herramienta.

OPERACIÓN

PRECAUCIÓN:

- Antes de usar la herramienta, asegúrese de soltar la empuñadura de la posición bajada sacando el pasador de retén.
- Asegúrese de que el disco no esté tocando la pieza de trabajo, etc., antes de activar el interruptor.
- No aplique presión excesiva en la empuñadura cuando corte. Una fuerza excesiva podrá resultar en una sobrecarga al motor y/o reducción de la eficacia de corte. Empuje hacia abajo la empuñadura con únicamente la fuerza necesaria para cortar suavemente y sin reducir significativamente la velocidad del disco.
- Presione hacia abajo la empuñadura suavemente para realizar el corte. Si presiona hacia abajo la empuñadura con fuerza o si aplica presión lateral, el disco vibrará y dejará una marca (marca de sierra) en la pieza de trabajo y la precisión del corte se verá afectada.
- Para realizar un corte deslizando la herramienta, empuje suavemente el carro hacia la guía lateral sin parar. Si se para el movimiento del carro durante el corte, quedará una marca en la pieza de trabajo y la precisión de corte se deteriorará.

1. Corte presionando (cortado de piezas pequeñas) (Fig. 41)

Pueden cortarse piezas de trabajo de hasta 91 mm de altura y 70 mm de anchura de la forma siguiente.

Empuje el carro completamente hacia la guía lateral y apriete el pomo en el sentido de las agujas del reloj para sujetar el carro. Asegure la pieza de trabajo con la mordaza. Encienda la herramienta sin que el disco esté tocando nada y espere hasta que el disco adquiera plena velocidad antes de bajarlo. Después baje suavemente la empuñadura hasta la posición totalmente bajada para cortar la pieza de trabajo. Cuando haya completado el corte, apague la herramienta y ESPERE HASTA QUE LA HOJA DE SIERRA SE HAYA DETENIDO COMPLETAMENTE antes de retornar la hoja de sierra a su posición completamente elevada.

PRECAUCIÓN:

- Apriete firmemente el fijador hacia la derecha de forma que el carro no se mueva durante la operación. Un apretado insuficiente podrá ocasionar un repentino retroceso brusco del disco. Podrá resultar en posibles HERIDAS PERSONALES graves.

2. Corte de deslizamiento (empujando) (corte de superficies anchas) (Fig. 42)

Afloje el fijador girándolo hacia la izquierda de forma que el carro pueda deslizarse libremente. Sujete la pieza de trabajo con la mordaza. Tire del carro hacia usted completamente. Encienda la herramienta sin que el disco esté tocando nada y espere hasta que el disco adquiera plena velocidad. Presione hacia abajo la empuñadura y EMPUJE EL CARRO HACIA LA GUÍA LATERAL Y A TRAVÉS DE LA PIEZA DE TRABAJO. Cuando haya completado el corte, apague la herramienta y ESPERE HASTA QUE EL DISCO SE HAYA PARADO COMPLETAMENTE antes de devolver el disco a su posición completamente elevada.

PRECAUCIÓN:

- Siempre que realice el corte de deslizamiento, PRIMERO TIRE DEL CARRO HACIA USTED COMPLETAMENTE y presione hacia abajo la empuñadura hasta la posición completamente bajada, después EMPUJE EL CARRO HACIA LA GUÍA LATERAL. NO INICIE NUNCA EL CORTE SIN HABER TIRADO DEL CARRO COMPLETAMENTE HACIA USTED. Si realiza el corte de deslizamiento sin haber tirado del carro completamente o si realiza el corte de deslizamiento en dirección hacia usted, el disco podrá retroceder bruscamente de forma inesperada y posiblemente causarle graves HERIDAS PERSONALES.
- No realice nunca el corte de deslizamiento con la empuñadura bloqueada en la posición bajada presionando hacia dentro el pasador de tope.
- No afloje nunca el fijador que sujeta el carro mientras el disco esté girando. Podría ocasionarle heridas graves.

3. Corte en inglete

Consulte la sección "Ajuste del ángulo de inglete" explicada más atrás.

4. Corte en bisel (Fig. 43)

Afloje la palanca e incline el disco para establecer el ángulo de bisel (Consulte la sección "Ajuste del ángulo de bisel" explicada más atrás. Asegúrese de apretar la palanca firmemente para sujetar de forma segura el ángulo de bisel seleccionado. Sujete la pieza de trabajo con una mordaza. Asegúrese de que el carro esté empujado completamente hacia usted. Encienda la herramienta sin que el disco esté tocando nada y espere hasta que el disco adquiera plena velocidad. Después baje con cuidado la empuñadura hasta la posición completamente bajada mientras aplica presión en dirección paralela al disco y EMPUJE EL CARRO HACIA LA GUÍA LATERAL PARA CORTAR LA PIEZA DE TRABAJO. Cuando haya completado el corte, apague la herramienta y ESPERE HASTA QUE EL DISCO SE HAYA PARADO COMPLETAMENTE antes de devolver el disco a su posición completamente elevada.

PRECAUCIÓN:

- Asegúrese siempre de que el disco se moverá hacia abajo en la dirección del bisel durante un corte en bisel. Mantenga las manos apartadas del recorrido del disco de sierra.
- Durante un corte en bisel, podrá crearse una condición por la cual la pieza cortada quede apoyada contra la cara del disco. Si el disco es subido estando todavía girando, esta pieza podrá ser pillada por el disco, haciendo que los fragmentos salgan despedidos lo cual es peligroso. El disco deberá ser subido SOLAMENTE después de que se haya parado completamente.
- Cuando presione hacia abajo la empuñadura, aplique fuerza paralela a la hoja de sierra. Si la fuerza es aplicada perpendicularmente a la base giratoria o si se cambia la dirección de la presión durante el corte, la precisión de corte se deteriorará.
- Ponga siempre la guía auxiliar en la posición izquierda cuando realice cortes en bisel izquierdo.

5. Corte compuesto

El corte compuesto es el proceso por el cual se hace un ángulo de bisel al mismo tiempo que se está cortando un ángulo de inglete en una pieza de trabajo. El corte compuesto se puede realizar en el ángulo mostrado en la tabla.

Ángulo de inglete	Ángulo de bisel
Izquierdo 0° – 47°, derecho 0° – 45°	Izquierdo y derecho 0° – 45°
Derecho 52°	Izquierdo 0° – 40° y derecho 0° – 45°

Con ángulo de inglete izquierdo de 45° y ángulo del bisel izquierdo de 45°, se pueden cortar piezas de trabajo de hasta 50 mm de altura y 200 mm de anchura.

Con un ángulo de inglete derecho de 45° y ángulo del bisel izquierdo de 45°, se pueden cortar piezas de trabajo de hasta 50 mm de altura y 215 mm de anchura.

Al ángulo de inglete izquierdo y derecho de 45° y ángulo de bisel derecho de 45°, se pueden cortar piezas de trabajo de hasta 31 mm de alto y 215 mm de ancho.

Cuando realice cortes compuestos, consulte las explicaciones ofrecidas en "Corte presionando", "Corte deslizamiento", "Corte en inglete" y "Corte en bisel".

6. Corte de extrusión de aluminio

Cuando sujete extrusiones de aluminio, emplee bloques espaciadores o piezas de desecho como se muestra en la Fig. 44 para evitar que pueda deformarse el aluminio. Emplee un lubricante de cortar cuando corte extrusiones de aluminio para evitar la acumulación de material de aluminio en el disco.

PRECAUCIÓN:

- No intente nunca cortar extrusiones de aluminio gruesas o redondas. Las extrusiones de aluminio gruesas pueden soltarse durante la operación y las extrusiones de aluminio redondas no pueden sujetarse firmemente con esta herramienta. (Fig. 45)

7. Ranurado (Fig. 46)

Procediendo de la forma siguiente se puede hacer un corte tipo ranura: Ajuste la posición límite inferior del disco utilizando el tornillo y el brazo de tope para limitar la profundidad de corte del disco. Consulte la sección "Brazo de tope" descrita previamente.

Después de ajustar la posición límite inferior del disco, corte ranuras paralelas a lo ancho de la pieza de trabajo utilizando un corte de deslizamiento (empujando) como se muestra en la figura. Después quite con un formón el material que queda entre las ranuras hechas en la pieza de trabajo. No intente realizar este tipo de corte utilizando discos anchos (gruesos) ni con un disco de molurar. Podría producirse una pérdida de control y heridas.

PRECAUCIÓN:

- Asegúrese de volver a poner el brazo de tope en la posición original cuando realice otros cortes que no sean de ranurado.

Transporte de la herramienta

Asegúrese de que la herramienta esté desenchufada. Sujete el disco a un ángulo de bisel de 0° y la base giratoria a un ángulo de inglete completamente recto. Sujete las barras de deslizamiento después de tirar del carro completamente hacia usted. Baje la empuñadura completamente y bloquéela en la posición bajada presionando hacia dentro el pasador de tope. (Fig. 47)

Transporte la herramienta cogiéndola por ambos costados de la base como se muestra en la figura. Si quita los soportes, la bolsa de polvo, etc., podrá transportar la herramienta más fácilmente. (Fig. 48)

PRECAUCIÓN:

- Sujete siempre todas las partes móviles antes de transportar la herramienta.
- El pasador de retén es para fines de transporte y almacenamiento solamente y no para ninguna operación de corte.

MANTENIMIENTO

PRECAUCIÓN:

- Asegúrese siempre de que la herramienta esté apagada y desenchufada antes de intentar realizar la inspección o el mantenimiento.

ADVERTENCIA:

- Asegúrese siempre de que el disco esté afilado y limpio para obtener un rendimiento óptimo.

Ajuste del ángulo de corte

Esta herramienta sale de fábrica cuidadosamente ajustada y alineada, pero un manejo brusco podría haber afectado la alineación. Si su herramienta no está debidamente alineada, realice lo siguiente:

1. Ángulo de inglete

Empuje el carro hacia la escuadra de guía y apriete el fijador a fin de asegurar el carro.

Afloje el mango que sujeta la base giratoria. Gire la base giratoria de forma que el puntero apunte a 0° en la escala de inglete. Después gire la base giratoria ligeramente hacia la derecha y hacia la izquierda para asentarla en la muesca de inglete de 0°. (Déjela tal como está si el puntero no apunta a 0°.) Afloje los pernos hexagonales que sujetan la guía lateral utilizando la llave de tubo. (Fig. 49)

Baje la empuñadura completamente y bloquéela en la posición bajada presionando hacia dentro el pasador de retención. Escuadre el costado del disco con la cara de la guía lateral utilizando una escuadra, cartabón, etc. Después apriete firmemente los pernos hexagonales de la guía lateral en orden desde el lado derecho. (Fig. 50)

Asegúrese de que el puntero apunta a 0° en la escala de inglete. Si el puntero no apunta a 0°, afloje el tornillo que sujeta el puntero y ajuste el puntero de forma que apunte a 0°. (Fig. 51)

2. Ángulo del bisel

1) Ángulo de bisel de 0°

Empuje el carro hacia la guía lateral y apriete el pomo para sujetar el carro. Baje la empuñadura completamente y bloquéela en la posición bajada presionando hacia dentro el pasador de retención. Afloje la palanca de la parte posterior de la herramienta. Cerciórese de que el brazo esté bloqueado. (Fig. 52)

Gire dos o tres vueltas hacia la izquierda el perno de cabeza hexagonal del lado izquierdo del brazo. Gire dos o tres vueltas hacia la izquierda el perno de cabeza hexagonal del lado derecho del brazo para inclinar la hoja de sierra hacia la izquierda. (Fig. 53)

Encuadre cuidadosamente la cara de la hoja de sierra con la superficie superior de la base giratoria usando una escuadra, cartabón, etc. girando hacia la derecha el perno hexagonal del lado derecho del brazo. Gire hacia la derecha el perno hexagonal del lado izquierdo del brazo hasta que haga tope. Luego apriete la palanca firmemente. (Fig. 54)

Cerciórese de que los dos punteros del brazo indiquen 0° en la escala de biselado del soporte del brazo. Si no indicaran 0°, afloje los tornillos que aseguran los punteros y ajuste los punteros de forma que indiquen 0°. (Fig. 55)

2) Ángulo en bisel de 45° (Fig. 56)

Ajuste el ángulo de bisel de 45° solamente después de haber realizado el ajuste del ángulo de bisel de 0°. Para ajustar el ángulo de bisel de 45°, afloje la palanca e incline el disco completamente hacia la izquierda. Asegúrese de que el puntero del brazo apunte a 45° en la escala de bisel del soporte del brazo. Si el puntero no apunta a 45°, gire el perno de ajuste del ángulo de bisel de 45° izquierdo del costado del soporte del brazo hasta que el puntero apunte a 45°.

Para ajustar el ángulo de bisel de 45° derecho, realice el mismo procedimiento que el descrito arriba.

Ajuste para un accionamiento de biselado suave (Fig. 57)

La contratuerca hexagonal que mantiene juntos el brazo y el soporte del brazo ha sido ajustada en fábrica para asegurar un accionamiento suave de biselado, y para garantizar un corte preciso. No la desajuste. Si se aflojara la conexión del brazo y del soporte del brazo, apriete la contratuerca hexagonal con una llave.

Ajuste de la posición de la línea láser (Fig. 58 y 59)

Para el modelo LS1013L, LS1013FL solamente

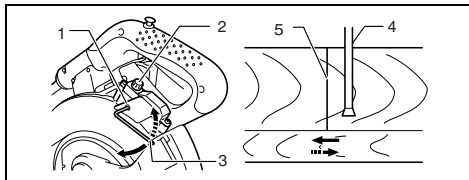
ADVERTENCIA:

- Como la herramienta está enchufada cuando se ajusta la línea láser, preste mucha atención especialmente al accionamiento del interruptor. Si presiona el gatillo interruptor accidentalmente ocasionará un inicio de la herramienta sin querer y heridas personales.

PRECAUCIÓN:

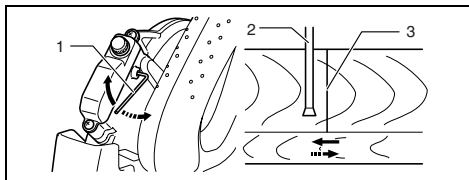
- No mire nunca directamente al rayo láser. El rayo láser directo producirá daño a sus ojos.
- No aplique golpes ni impactos a la herramienta. Un golpe o impacto resultará en una posición incorrecta de la línea láser, daños a la parte emisora del rayo láser o en un acortamiento de la vida de servicio de la herramienta.

Al hacer el ajuste la línea láser aparece en el lado izquierdo del disco



- 1 Tornillo para cambiar el rango móvil del tornillo de ajuste
- 2 Tornillo de ajuste
- 3 Llave hexagonal
- 4 Línea láser
- 5 Disco de sierra

Al hacer el ajuste la línea láser aparece en el lado derecho del disco



- 1 Tornillo para cambiar el rango móvil del tornillo de ajuste
- 2 Disco de sierra
- 3 Línea láser

Para ambos ajustes, haga lo siguiente.

1. Asegúrese de que la herramienta esté desenchufada.
2. Trace la línea de corte en la pieza de trabajo y póngala en la base giratoria. En este momento, no sujete la pieza de trabajo con una mordaza o dispositivo de sujeción similar.

3. Baje el disco bajando la empuñadura y simplemente compruebe para ver donde están la línea de corte y la posición del disco. (Decida qué posición quiere cortar en la línea de corte.)
4. Después de decidir la posición a cortar, vuelva a poner la empuñadura en la posición original. Sujete la pieza de trabajo con la mordaza vertical sin cambiar la pieza de trabajo de la posición precomprobada.
5. Enchufe la herramienta y active el interruptor láser.
6. Ajuste de la posición de la línea láser de la forma siguiente.

La posición de la línea láser se puede cambiar dado que el rango movable del tornillo de ajuste para el láser se cambia girando los dos tornillos con una llave hexagonal. (El rango movable de la línea láser ha sido ajustado en fábrica en 1 mm desde la superficie lateral del disco.)

Para cambiar el rango movable de la línea láser a una distancia mayor desde la superficie lateral del disco, gire los dos tornillos hacia la izquierda después de aflojar el tornillo de ajuste. Gire estos dos tornillos hacia la derecha para cambiarla a una distancia más próxima a la superficie lateral del disco después de aflojar el tornillo de ajuste.

Consulte la sección titulada “Accionamiento del rayo láser” y regule el tornillo de ajuste de forma que la línea de corte de su pieza de trabajo quede alineada con la línea láser.

NOTA:

- Compruebe regularmente la posición de la línea láser para mayor precisión.
- Haga que le reparen la herramienta en un Centro de servicio autorizado Makita si ocurre cualquier fallo en la unidad láser.

Limpieza de la lente de la luz láser (Fig. 60 y 61)

Para el modelo LS1013L, LS1013FL solamente

Si la lente de la luz láser se ensucia, o si se adhiere serrín a ella de tal forma que impida ver fácilmente la línea láser, desenchufe la herramienta y quite y limpie la lente de la luz láser cuidadosamente con un paño suave humedecido. No utilice disolventes ni productos de limpieza a base de petróleo para limpiar la lente.

Para quitar la lente de la luz láser, quite el disco antes de quitar la lente de acuerdo con las instrucciones en la sección titulada “Instalación o desmontaje del disco”.

Afloje pero no quite el tornillo que sujeta la lente utilizando un destornillador.

Extraiga la lente como se muestra en la figura.

NOTA:

- Si la lente no saliera, afloje un poco más el tornillo y tire de la lente otra vez sin quitar el tornillo.

Reemplazo del tubo fluorescente (Fig. 62)

Para el modelo LS1013F, LS1013FL solamente

PRECAUCIÓN:

- Asegúrese siempre de que la herramienta esté apagada y desenchufada antes de reemplazar el tubo fluorescente.
- No aplique fuerza, impactos ni raspaduras al tubo fluorescente, porque el cristal del tubo fluorescente podrá romperse y ocasionarle heridas a usted o a personas cerca de usted.

- Deje el tubo fluorescente durante un rato inmediatamente después de haberlo utilizado y después reemplácelo. Si no, podrá quemarse.

Quite los tornillos que sujetan la caja de la lámpara para la luz. Extraiga la caja de la lámpara manteniendo presionada ligeramente la parte superior de la misma como se muestra en la Fig. 62.

Extraiga el tubo fluorescente y después reemplácelo con uno nuevo original de Makita.

Reemplazo de las escobillas de carbón (Fig. 63 y 64)

Extraiga y compruebe las escobillas de carbón regularmente. Reemplácelas cuando se hayan gastado hasta la marca de límite. Mantenga las escobillas de carbón limpias y de forma que entren libremente en el portaescobillas. Ambas escobillas de carbón deberán ser reemplazadas al mismo tiempo. Utilice únicamente escobillas de carbón idénticas.

Utilice un destornillador para quitar los tapones portaescobillas. Extraiga las escobillas gastadas, inserte las nuevas y vuelva a fijar los tapones portaescobillas.

Después de la utilización

- Después de la utilización, limpie las virutas y el polvo adheridos a la herramienta con un paño o similar. Mantenga la guarda del disco limpia de acuerdo con las indicaciones de la sección ya vista titulada “Guarda del disco”. Lubrique las partes deslizantes con aceite para máquinas para evitar que se oxiden.
- Cuando guarde la herramienta, tire del carro hacia usted completamente de forma que la barra deslizante se introduzca completamente en la base giratoria.

Para mantener la SEGURIDAD y FIABILIDAD del producto, las reparaciones, y cualquier otra tarea de mantenimiento o ajuste deberán ser realizadas en Centros de servicio autorizados por Makita, empleando siempre repuestos Makita.

ACCESORIOS

PRECAUCIÓN:

- Estos accesorios o acoplamientos están recomendados para utilizar con su herramienta Makita especificada en este manual.
- El empleo de cualesquiera otros accesorios o acoplamientos conllevará un riesgo de sufrir heridas personales. Utilice los accesorios o acoplamientos solamente para su fin establecido.

Si necesita cualquier ayuda para más detalles en relación con estos accesorios, pregunte a su centro de servicio Makita local.

- Discos de sierra de acero y de carburo
- Bolsa de polvo
- Guía auxiliar derecha
- Codo
- Conjunto de mordaza (Mordaza horizontal)
- Escuadra
- Mordaza vertical
- Botón de desbloqueo (2 piezas)
- Llave de tubo de 13
- Bloque de hendidura
- Soporte
- Tubo fluorescente (Para LS1013F/LS1013FL)
- Llave hexagonal (Para LS1013L/LS1013FL)

Explicação geral

1 Pino de travagem	34 Seta	66 Parafuso
2 Perno	35 Bloqueio do eixo	67 Escala de esquadria
3 Resguardo de segurança do disco	36 Flange interior	68 Indicador
4 Botão	37 Veio	69 Escala de bisel
5 Placa de corte	38 Anel	70 Ponteiros
6 Disco de corte	39 Flange exterior	71 Suporte do braço
7 Dente da lâmina	40 Perno hexagonal (para a mão esquerda)	72 Perno de regulação a 45° do ângulo de bisel direito
8 Corte de bisel à esquerda	41 Bocal de pó	73 Perno de regulação a 45° do ângulo de bisel esquerdo
9 Corte direito	42 Saco do pó	74 Contraporca hexagonal
10 Corte de bisel à direita	43 Fecho	75 Bloco de corte
11 Perno de ajuste	44 Apoio	76 Peça de trabalho
12 Base giratória	45 Base giratória	77 Linha de corte
13 Face superior da base giratória	46 Guia auxiliar	78 Torno vertical
14 Periferia do disco	47 Guia auxiliar direita	79 Chave de parafusos
15 Placa guia	48 Parafusos	80 Parafuso (só um)
16 Parafuso de regulação	49 Braço do torno	81 Lentes para a luz laser
17 Placa de retenção	50 Varão do torno	82 Marca limite
18 Alavanca de bloqueio	51 Parafuso	83 Tampa do porta escovas
19 Pega	52 Botão do torno	84 Luz
20 Ponteiro	53 Guia de esquadria	85 Interruptor da luz
21 Escala de esquadria	54 Placa do torno	86 Retirar
22 Alavanca	55 Porca do torno	87 Carregar
23 Braço	56 Suportes	88 Caixa de lâmpada
24 Escala de bisel	57 Botão	89 Parafusos
25 Botão de segurança	58 Torno	90 Tubo fluorescente
26 Gatilho do interruptor	59 Bloco espaçador	91 Caixa do pó
27 Pega	60 Extrusão de alumínio	92 Cobertura
28 Interruptor para laser	61 Bloco espaçador	93 Botão
29 Chave de tubo	62 Torno horizontal (acessório opcional)	94 Parte cilíndrica
30 Suporte da chave	63 Corte de ranhuras com o disco	95 Serradura
31 Tampa central	64 Perno hexagonal	
32 Perno hexagonal	65 Esquadro	
33 Caixa do disco de corte		

ESPECIFICAÇÕES

Modelo

LS1013/LS1013F/LS1013L/LS1013FL

Diâmetro do disco 250 – 260 mm

Diâmetro do orifício 25,4 mm e 25 mm

Para todos os países não Europeus 25,4 mm e 25 mm

Para todos os países Europeus 30 mm

Capacidades máximas de corte (A x L) com o disco de 260 mm de diâmetro

Ângulo de esquadria	Ângulo de bisel		
	45° (esquerdo)	0°	45° (direito)
0°	50 mm x 310 mm	91 mm x 310 mm	31 mm x 310 mm
45° (esquerdo e direito)	(esquerdo) 50 mm x 200 mm (direito) 50 mm x 220 mm	91 mm x 220 mm	31 mm x 220 mm
52° (direito)	—	91 mm x 190 mm	—

Velocidade em vazio (min⁻¹) 3.700

Tipo Laser (Só para LS1013L/LS1013FL) Laser Vermelho 650 nm, <1mW (Classe Laser 2)

Dimensões (C x L x A)

LS1013/LS1013F 715 mm x 520 mm x 625 mm

LS1013L/LS1013FL 715 mm x 520 mm x 640 mm

Peso líquido

LS1013/LS1013F 21 kg

LS1013L/LS1013FL 22 kg

Classe de segurança  /II

- Devido a um programa contínuo de pesquisa e desenvolvimento, estas especificações estão sujeitas a alterações sem aviso prévio.
- Nota: As especificações podem diferir de país para país.

Fins a que se destina

Esta ferramenta destina-se a realizar cortes de precisão, rectos e de meia esquadria, em madeira. Com discos de corte apropriados, é possível cortar também alumínio.

Alimentação

A ferramenta só deve ser ligada a uma fonte de alimentação de tensão igual à indicada na placa de características, e só funciona com alimentação CA monofásica. Dispõe de isolamento duplo em conformidade com as normas europeias e pode, portanto, utilizar tomadas sem ligação à terra.

Conselhos de segurança

Para sua segurança, leia as instruções anexas.

REGRAS DE SEGURANÇA ADICIONAIS PARA A FERRAMENTA

1. **Use óculos de protecção.**
2. **Mantenha as mãos afastadas da parte cortante do disco.** Evite tocar no disco quando este rodar por inércia. Pois, mesmo assim, este pode provocar lesões.
3. **Não utilize a serra sem os resguardos de segurança montados. Verifique se o resguardo de segurança do disco se encontra devidamente fechado antes de cada utilização. Não trabalhe com a serra se o resguardo de segurança do disco não se movimentar livremente e fechar instantaneamente. Nunca fixe nem prenda o resguardo de segurança do disco em posição aberta.**
4. **Não efectue qualquer operação com as mãos livres.** A peça a trabalhar tem de estar fixa com segurança à base giratória, e a placa guia ao torno durante todas as operações. Nunca utilize as mãos para segurar a peça a trabalhar.
5. **Nunca toque na periferia cortante do disco.**
6. **Desligue a ferramenta e aguarde que o disco de corte pare antes de movimentar a peça a trabalhar ou antes de alterar a regulação.**
7. **Desligue a ferramenta da tomada antes de mudar ou disco ou de proceder a operações de manutenção.**
8. **Prenda as porções moveis antes de transportar a ferramenta.**
9. **O pino de travagem que bloqueia a cabeça de corte é só para fins de transporte e armazenagem e não para operação de corte.**
10. **Não utilize a ferramenta na presença de líquidos ou gases inflamáveis.**
11. **Verifique cuidadosamente o disco de corte quanto a fissuras ou danos antes da operação. Substitua de imediato o disco se este apresentar fissuras ou danos.**
12. **Utilize exclusivamente as flanges especificadas para esta ferramenta.**
13. **Tenha cuidado para não danificar o eixo, as flanges (especialmente a superfície de instalação) ou o perno. Os danos nestes componentes podem provocar a fractura do disco.**

14. **Certifique-se de que a base giratória está bem fixa, de modo a que não se movimente durante a operação.**
15. **Por razões de segurança, e antes da utilização limpe a bancada de aparas, restos e detritos, etc.**
16. **Evite cortar pregos. Inspeccione a peça a trabalhar e retire todos os pregos antes da operação.**
17. **Certifique-se de que soltou o travão do eixo antes de ligar o interruptor.**
18. **Certifique-se de que, na posição mais baixa, o disco de corte não fica em contacto com a base giratória.**
19. **Agarre na pega com firmeza. Tenha em conta que a serra se movimentará um pouco para cima e para baixo, durante o arranque e a paragem da ferramenta.**
20. **Verifique se o disco não está em contacto com a peça a trabalhar antes de ligar o interruptor.**
21. **Antes de utilizar a ferramenta na peça a trabalhar, deixe-a funcionar em vazio durante algum tempo. Verifique se existem vibrações ou movimento irregular que possam indicar má instalação ou desequilíbrio do disco.**
22. **Aguarde que o disco atinja a velocidade máxima antes de iniciar o corte.**
23. **Pare a ferramenta de imediato se notar algo no funcionamento que não seja normal.**
24. **Não tente bloquear o gatilho na posição ON (Ligado).**
25. **Mantenha-se atento, especialmente no decorrer de operações repetitivas e monótonas. Não se deixe convencer por uma falsa sensação de segurança. Os discos de corte provocam lesões muito graves.**
26. **Utilize sempre os acessórios recomendados neste manual. A utilização de acessórios inadequados tais como discos abrasivos podem dar origem a lesões.**
27. **Utilize a serra apenas para cortar alumínio, madeira ou materiais semelhantes.**
28. **Ligue as serras de esquadria a um dispositivo de pó, ao serrar.**
29. **Seleccione os discos de corte em função do material a cortar.**
30. **Tenha cuidado quando fizer rasgos.**
31. **Substitua a placa de corte quando estiver gasta.**
32. **Não utilize discos de corte feitos de aço rápido.**
33. **Algum do pó proveniente da operação contém químicos que provocam cancro, defeitos congénitos ou problemas no aparelho reprodutor. Alguns exemplos desses químicos são:**
 - Chumbo de material cuja tinta contenha chumbo
 - Arsénico ou crómio de madeira tratada quimicamente.
34. **O risco a esta exposição varia, dependendo da frequência com que executa este tipo de trabalho. Para reduzir a exposição a estes químicos: trabalhe numa área bem ventilada e utilize equipamento de segurança adequado, como uma máscara contra o pó especialmente concebida para filtrar as partículas microscópicas.**
34. **Para reduzir o ruído emitido, verifique sempre se o disco de corte está afiado e limpo.**
35. **O operador tem a formação adequada para utilização, ajuste e manutenção da ferramenta.**
36. **Utilize discos de corte correctamente afiados. Respeite cuidadosamente a velocidade máxima marcada no disco de corte.**

37. Não retire, da área de corte, aparas ou fragmentos da peça que está a trabalhar enquanto a ferramenta estiver ligada e a cabeça do disco de corte não se encontrar na posição de descanso.

GUARDE ESTAS INSTRUÇÕES

INSTALAÇÃO

Montagem da bancada da serra

A ferramenta é expedida da fábrica com a pega bloqueada na posição baixa por intermédio do pino de travagem. Desmonte o pino de travagem, fazendo descer ligeiramente a pega e retirando depois o pino. (Fig. 1)

Esta ferramenta deve ser presa com quatro pernos a uma superfície nivelada e estável utilizando os orifícios para os pernos existentes na base da ferramenta. Isto ajudará a evitar que tombe e possíveis danos. (Fig. 2)

DESCRIÇÃO DO FUNCIONAMENTO

PRECAUÇÃO:

- Certifique-se sempre de que a ferramenta está desligada e com a ficha retirada da tomada, antes de proceder a afinações ou de verificar o funcionamento respectivo.

Resguardo de segurança do disco de corte (Fig. 3 e 4)

Ao descer a pega, o resguardo de segurança do disco sobe automaticamente. O resguardo volta à posição original depois de concluído o corte e quando se ergue a pega. **NUNCA ESTRAGUE OU RETIRE O RESGUARDO DA LÂMINA OU A MOLA QUE PRENDE O RESGUARDO.**

Para a sua própria segurança, mantenha sempre o resguardo de segurança do disco em boas condições. Qualquer funcionamento irregular do resguardo de segurança do disco deve ser reparado de imediato. Verifique para se assegurar do bom funcionamento do dispositivo de mola do resguardo de segurança. **NUNCA UTILIZE A FERRAMENTA SE O RESGUARDO DE SEGURANÇA DO DISCO OU O DISPOSITIVO DE MOLA ESTIVEREM DANIFICADOS, AVARIADOS OU NÃO ESTIVEREM MONTADOS. ESTA PRÁTICA É EXTREMAMENTE PERIGOSA E PODE PROVOCAR LESÕES PESSOAIS GRAVES.**

Se o resguardo transparente da lâmina transparente ficar sujo, ou partículas de pó aderirem de modo a que a lâmina e/ou a peça de trabalho deixe de ser facilmente visível, desligue a serra da corrente e limpe o resguardo cuidadosamente com um pano húmido. Não utilize solventes ou produtos de limpeza à base de petróleo no resguardo de segurança em plástico.

Se o resguardo de segurança do disco se encontrar muito sujo e a visão através do resguardo de segurança ficar obstruída, utilize a chave de caixa fornecida para aliviar o perno hexagonal que fixa a tampa central.

Alivie o perno hexagonal rodando-o em sentido contrário ao dos ponteiros do relógio e eleve o resguardo de segurança do disco e a tampa central. Com o resguardo de segurança nesta posição, a limpeza pode ser levada a cabo integralmente e com maior eficiência. Quando a limpeza estiver concluída, efectue o procedimento acima em ordem inversa e aperte o perno. Não desmonte o dispositivo de mola do resguardo de segurança do disco. Se o resguardo ficar descolorado com o decorrer do tempo ou pela acção dos raios UV, contacte um centro de assistência Makita para efeitos de substituição do resguardo de segurança. **NÃO FORÇE NEM DESMONTE O RESGUARDO.**

Posicionamento da placa de corte (Fig. 5 e 6)

Esta ferramenta é fornecida com placas de corte na base giratória. As placas de corte foram reguladas na fábrica de modo a que a lâmina da serra não toque nas placas de corte. Antes da utilização, regule as placas de corte como se segue:

Primeiro, desligue a ferramenta da corrente. Desaperte todos os parafusos (2 em cada lado esquerdo e direito) que prendem as placas de corte. Volte a apertá-los de modo que as placas de corte sejam facilmente movimentadas com a mão. Desça completamente a pega e empurre o pino de travagem para bloquear a pega na posição inferior. Solte o botão que prende as braçadeiras deslizantes. Puxe o carreto completamente para si. Regule as placas de corte de modo a que contactem ligeiramente os lados dos dentes da lâmina. Aperte os parafusos da frente (não aperte demasiado). Empurre o carreto completamente na direcção da placa guia e regule as placas de corte de modo a que contactem ligeiramente os lados dos dentes da lâmina. Aperte os parafusos de trás (não aperte demasiado). Depois de regular as placas de corte, solte o pino de travagem e levante a pega. Em seguida aperte todos os parafusos firmemente.

PRECAUÇÃO:

- Antes e depois de mudar o ângulo de bisel, regule sempre as placas de corte como descrito acima.

Manutenção da capacidade máxima de corte (Fig. 7 e 8)

Desligue a ferramenta da tomada antes de efectuar qualquer regulação. Esta ferramenta foi regulada na origem para proporcionar uma capacidade de corte máxima com um disco de serra de 255 mm.

Ao instalar um disco de corte novo, verifique sempre a posição limite inferior do disco e, se necessário, afine da seguinte forma:

Em primeiro lugar, desligue a ferramenta da tomada. Empurre o carro completamente na direcção da guia de esquadria e baixe a pega completamente. Utilize a chave de caixa para fazer rodar o perno de ajuste até que a periferia do disco de corte fique um pouco abaixo da face superior da base giratória, no ponto em que a face anterior da placa guia entra na face superior da base giratória.

Com a ferramenta desligada da tomada, faça rodar o disco de corte à mão enquanto segura na pega, até que esta fique totalmente em baixo, para que não possa contactar qualquer parte da base inferior. Reajuste ligeiramente, se necessário.

PRECAUÇÃO:

- Depois de instalar um disco de corte novo, certifique-se sempre de que o disco não contacta com nenhuma parte da base inferior, quando a pega se encontra totalmente em baixo. Execute sempre esta operação com a ferramenta desligada da tomada.

Placa de retenção (Fig. 9)

A posição limite inferior da lâmina pode ser facilmente regulada com a placa de retenção. Para a regular, rode a placa de retenção na direcção da seta como indicado na figura. Regule os parafusos para que a lâmina páre na posição desejada quando desce completamente a pega.

Regulação do ângulo de esquadria (Fig. 10)

Alivie a pega fazendo-a rodar em sentido contrário aos ponteiros do relógio. Rode a base giratória, enquanto carrega na alavanca de bloqueio. Quando tiver movimentado a pega para a posição em que o ponteiro fica a indicar o ângulo pretendido na escala de esquadria, aperte a pega com firmeza, no sentido dos ponteiros do relógio.

PRECAUÇÃO:

- Ao fazer rodar a base giratória, certifique-se de que levanta a pega totalmente.
- Depois de alterar o ângulo de esquadria, fixe sempre a base giratória apertando com firmeza a pega.

Regulação do ângulo de bisel (Fig. 11 e 12)

Para regular o ângulo de bisel, liberte a alavanca na parte traseira da ferramenta para a esquerda. Desbloqueie o braço empurrando a pega firmemente na direcção em que pretende inclinar a lâmina da serra.

Incline a lâmina da serra até que o ponteiro aponte para o ângulo desejado na escala de bisel. Em seguida aperte a alavanca firmemente para a direita para prender o braço.

PRECAUÇÃO:

- Ao inclinar o disco de corte, certifique-se de que levanta a pega totalmente.
- Depois de alterar o ângulo de bisel, fixe sempre o braço apertando a alavanca no sentido dos ponteiros do relógio.
- Quando muda os ângulos de bisel, certifique-se de que posiciona as placas de corte correctamente como explicado na secção "Posicionamento da placa de corte"

Ação do interruptor

PRECAUÇÃO:

- Antes de ligar a ferramenta à tomada, verifique sempre se o gatilho do interruptor actua adequadamente, e se volta à posição "OFF" quando é libertado.
- Quando não estiver a utilizar a ferramenta, retire o botão de segurança e guarde-o num local seguro. Isto evita a operação não autorizada da ferramenta.
- Não carregue a fundo o gatilho do interruptor sem pressionar o botão de segurança. Esta acção pode estragar o interruptor.

Para os países europeus (Fig. 13)

Para evitar o accionamento accidental do gatilho do interruptor, existe um botão de segurança. Para ligar a ferramenta, empurre a alavanca para a esquerda, pressione o botão de bloqueio e em seguida carregue no gatilho. Solte o gatilho do interruptor para parar.

Para todos os países não europeus (Fig. 14)

Para evitar o accionamento accidental do gatilho do interruptor, existe um botão de segurança. Para iniciar a ferramenta pressione o botão de segurança e carregue no gatilho. Liberte o gatilho para parar.

AVISO:

- NUNCA utilize a ferramenta sem que esta disponha de um gatilho de interruptor totalmente operacional. Qualquer ferramenta com um interruptor inoperante é ALTAMENTE PERIGOSA e tem de ser reparada antes de nova utilização.
- Para a sua própria segurança, esta ferramenta está equipada com um botão de segurança que evita o arranque accidental da ferramenta. NUNCA utilize a ferramenta se esta funcionar quando carregar no gatilho do interruptor sem pressionar o botão de segurança. Envie a ferramenta para um centro de assistência Makita, para efeitos de reparação adequada ANTES de nova utilização.
- NUNCA fixe com fita adesiva nem tente anular o objectivo e a função do botão de segurança.

Acender as lâmpadas (Fig. 15 e 16)

Só para o modelo LS1013F, LS1013FL

PRECAUÇÃO:

- Esta lâmpada não é à prova de água. Não lave a lâmpada com água, nem a utilize em áreas com humidade ou onde ocorra precipitação de chuva. Tal prática pode dar origem a choques eléctricos e fumos.
- Não toque na lente, pois esta, quando a lâmpada está acesa, ou pouco depois de se desligar, encontra-se a uma temperatura muito elevada. Esta prática pode provocar queimaduras no utilizador.
- Não sujeite a lâmpada a impactos, que possam provocar danos ou reduzir a respectiva vida útil.
- Mantenha o feixe de luz afastado dos olhos. O feixe pode provocar lesões oculares.
- Não tape a lâmpada com panos, com caixas ou placas de cartão ou com objectos semelhantes quando se encontra acesa, pois pode provocar um incêndio ou dar origem a uma fonte de ignição.

Carregue na parte superior do interruptor para ligar a lâmpada e na parte inferior para a desligar.

Movimente a lâmpada para mudar a zona de iluminação.

NOTA:

- Utilize um pano seco para remover a sujidade da lente da lâmpada. Tenha cuidado para não riscar a lente da lâmpada, pois pode reduzir a capacidade de iluminação.

Bloco de corte (Acessório opcional) (Fig. 17 e 18)

PRECAUÇÃO:

- Quando utiliza o bloco de corte, corte sempre com o mesmo ângulo de esquadria.
- Quando mudar o ângulo de esquadria, utilize outros blocos de corte.
- Quando executar cortes de bisel nunca utilize o bloco de corte.

Se o fizer, pode fragmentar o bloco causando injúrias sérias no operador.

Quando utiliza o bloco de corte para cortes de 90°, pode cortar sem fragmentação peças de trabalho no lado da guia de esquadria (peças com altura até 35 mm). Coloque o bloco de corte na guia de esquadria utilizando dois parafusos. (Regule a guia de esquadria e o bloco de corte de modo a que as faces estejam em contacto. Em seguida prenda os parafusos firmemente.)

Ação do raio laser

Só para o modelo LS1013L, LS1013FL

PRECAUÇÃO:

- Nunca olhe para o raio laser. Se olhar directamente para o raio laser pode ferir os seus olhos.
- **NÃO OLHE PARA O FOCO OU VEJA DIRECTAMENTE COM INSTRUMENTOS ÓPTICOS, PRODUTO LASER DA CLASSE 2M.**

Para desligar o raio laser, pressione a posição superior (I) do interruptor. Pressione a posição inferior (O) para desligar. (Fig. 19)

A linha do laser pode ser deslocada tanto para a esquerda como para a direita da lâmina da serra regulando o parafuso como se segue. (Fig. 20)

1. Solte o parafuso de regulação rodando-o para a esquerda.
2. Com o parafuso de regulação solto, deslize-o para a direita ou esquerda o mais possível.
3. Aperte o parafuso de regulação firmemente na posição onde parar de deslizar.

A linha de laser foi regulada na fábrica de modo a estar posicionada a 1mm da superfície lateral da lâmina (posição de corte).

NOTA:

- Quando a linha de laser for fraca e quase ou inteiramente invisível devido à luz solar directa por trabalho exterior ou interior perto de uma janela, mude a área de trabalho para um local não exposto à luz solar directa.

Alinhamento da linha de laser (Fig. 21)

A linha de laser pode ser deslocada tanto para o lado esquerdo como direito da lâmina de acordo com as aplicações de corte. Refira-se à explicação em “Acção do raio laser” acerca do método de deslocação.

NOTA:

- Utilize revestimento de madeira contra a placa guia quando alinha a linha de corte com a linha de laser no lado da placa guia no corte composto (ângulo de bisel de 45 graus e ângulo de esquadria à direita de 45 graus).

- A) Quando obtém o tamanho correcto no lado esquerdo da peça de trabalho.
 - Desloque a linha de laser para a esquerda da lâmina.
 - B) Quando obtém o tamanho correcto no lado direito da peça de trabalho.
 - Desloque a linha de laser para a direita da lâmina.
- Alinhe a linha de corte na sua peça de trabalho com a linha de laser.

MONTAGEM

PRECAUÇÃO:

- Certifique-se sempre de que a ferramenta está desligada e com a ficha retirada da tomada, antes de efectuar qualquer trabalho na ferramenta.

Armazenamento da chave de tubo (Fig. 22)

A chave de tubo é armazenada como indicado na figura. Quando utiliza a chave de tubo, tire-a do suporte da chave. Depois de utilizar a chave de tubo, volte a colocá-la no suporte da chave.

Instalação ou desmontagem do disco da serra

PRECAUÇÃO:

- Certifique-se sempre de que a ferramenta está desligada da tomada, antes de instalar ou desmontar o disco da serra.
- Utilize exclusivamente a chave de caixa Makita fornecida, para instalar ou desmontar o disco. A não observância desta instrução pode resultar num aperto excessivo ou insuficiente do perno hexagonal. Isto pode provocar ferimentos pessoais.

Prenda a pega na posição elevada empurrando o pino de travagem. (Fig. 23)

Para desmontar o disco de corte, utilize a chave de tubo para aliviar o perno hexagonal de fixação da tampa central, fazendo-o rodar em sentido contrário ao dos ponteiros do relógio. Eleve o resguardo de segurança do disco e a tampa central. (Fig. 24)

Carregue no bloqueio do eixo para bloquear o veio e utilize a chave de tubo para aliviar o perno hexagonal, fazendo-o rodar no sentido dos ponteiros do relógio. Em seguida desmonte o perno hexagonal, a flange exterior e o disco de corte. (Fig. 25)

Para instalar o disco, monte-o cuidadosamente no veio, certificando-se de que a direcção da seta existente na face do disco fica apontada na direcção da seta existente na caixa do disco. Instale a flange exterior e o perno hexagonal e, em seguida, utilize a chave de tubo para apertar o perno hexagonal (rosca esquerda) com segurança em sentido contrário ao dos ponteiros do relógio, enquanto carrega no bloqueio do eixo. (Fig. 26)

Para todos os países não europeus

PRECAUÇÃO:

- O anel preto com 25 mm de diâmetro exterior e o anel prateado com 25,4 mm de diâmetro exterior foram instalados na fábrica como mostrado na figura. Quando utiliza uma lâmina com um orifício com 25 mm de diâmetro, substitua o anel preto pelo prateado. Antes de montar a lâmina no veio, certifique-se sempre de que o anel correcto para o orifício da lâmina que deseja utilizar está instalado entre as falanges interior e exterior (Fig. 27)

Para países Europeus

PRECAUÇÃO:

- O anel com 30 mm de diâmetro exterior foi instalado na fábrica entre as falanges interior e exterior.

Instale a flange exterior e o perno hexagonal e, em seguida, utilize a chave de tubo para apertar o perno hexagonal com segurança em sentido contrário ao dos ponteiros do relógio, enquanto carrega no bloqueio do eixo.

Volte a colocar o resguardo de segurança do disco e a tampa central na posição original. Em seguida, aperte o perno hexagonal no sentido dos ponteiros do relógio para fixar a tampa central. Solte a pega da posição elevada puxando o pino de travagem. Faça descer a alavanca para se certificar de que o resguardo de segurança do disco se movimenta adequadamente. Certifique-se de que o bloqueio do eixo tem o veio liberto antes de iniciar o corte. (Fig. 28)

Saco do pó (acessório) (Fig. 29)

A utilização do saco do pó torna as operações de corte e a recolha de pó mais fácil. Para prender o saco do pó, coloque o bocal do pó na caixa da lâmina e encaixe a entrada do saco sobre o bocal do pó.

Quando o saco do pó se encontrar meio cheio, retire-o da ferramenta e tire o fecho. Esvazie o saco do pó, batendo-lhe ligeiramente para remover as partículas aderentes no interior que podem dificultar a recolha.

NOTA:

Se ligar um aspirador Makita a esta ferramenta, pode obter uma limpeza mais eficaz.

Caixa do pó (acessório) (Fig. 30, 31 e 32)

Insira a caixa do pó no bocal do pó.

Esvazie a caixa do pó o mais cedo possível.

Para esvaziar a caixa do pó, abra a cobertura empurrando o botão e deite fora a serradura. Volte a colocar a cobertura para que fique presa na posição original. Pode retirar facilmente a caixa do pó puxando-a para fora enquanto a roda perto do bocal do pó na ferramenta.

NOTA:

- Se ligar um aspirador Makita a esta ferramenta, poderá executar uma operação mais limpa e eficiente.

PRECAUÇÃO:

- Esvazie a caixa do pó antes que o nível da serradura recolhida atinja a parte cilíndrica.

Fixação da peça de trabalho

AVISO:

- É de extrema importância prender sempre a peça de trabalho de maneira correcta e firme com o torno. Caso contrário pode danificar a ferramenta e/ou estragar a peça de trabalho. PODE PROVOCAR TAMBÉM FERIMENTOS PESSOAIS. Além disso, depois de terminar o corte, NÃO LEVANTE o disco de corte até que este esteja completamente parado.

PRECAUÇÃO:

- Ao cortar peças de grande comprimento, utilize apoios que sejam da altura da face superior da base giratória. Não confie apenas no torno vertical e/ou horizontal para efeitos de fixação da peça de trabalho. O material fino tende a dobrar. Apoie a peça de trabalho em todo o comprimento, para evitar esmagamentos e eventuais CONTRAGOLPES. (Fig. 33)

Guia auxiliar

Esta ferramenta está equipada com uma guia auxiliar. Esta deve ser colocada como indicado na **figura 34**.

No entanto, quando executar cortes de bisel à esquerda, coloque-a na posição à esquerda como indicado na **figura 35**.

PRECAUÇÃO:

- Ao efectuar cortes de bisel à esquerda, coloque-a na posição à esquerda como indicado na **figura 35**. Caso contrário, esta entra em contacto com o disco ou com uma parte da ferramenta, dando origem a eventuais lesões graves do utilizador.

Guia auxiliar direita (acessório opcional) (Fig. 36)

A guia auxiliar direita pode ser instalada no lado direito da placa guia. Insira os varões da guia auxiliar direita nos orifícios da placa guia. Aperte os parafusos fornecidos com a guia auxiliar direita para a prender.

PRECAUÇÃO:

- Quando executa cortes de bisel à direita, nunca utilize a guia auxiliar direita. Tocarà na lâmina ou qualquer parte da ferramenta podendo causar lesões no operador.

Torno vertical (Fig. 37)

O torno vertical pode ser instalado em duas posições, tanto à esquerda como à direita da placa guia ou da base. Introduza o varão do torno no orifício existente na placa guia e aperte o parafuso na parte traseira da placa guia para fixar o varão do torno.

Posicione o braço do torno em função da espessura e configuração da peça de trabalho e fixe o braço do torno, apertando o parafuso. Se o parafuso de fixação do braço do torno contactar com a placa guia, instale o parafuso no lado oposto do braço do torno. Certifique-se de que nenhuma parte da ferramenta contacta com o torno quando desce a pega completamente e puxa ou empurra o carro até ao fim. Se alguma parte contactar com o torno, altere a posição do torno.

Encoste a peça de trabalho a direito na placa guia e na base giratória. Coloque a peça de trabalho na posição de corte pretendida e fixe-a com firmeza apertando o manípulo do torno.

PRECAUÇÃO:

- A peça de trabalho tem de ser fixa com segurança contra a base giratória, e a placa guia com o torno durante todas as operações.

Torno horizontal (acessório opcional)

(Fig. 38 e 39)

O torno horizontal pode ser instalado em duas posições, tanto à esquerda como à direita da base. Quando executa cortes de esquadria de 15° ou mais, instale o torno horizontal no lado oposto à direcção em que vai rodar a base giratória.

Rodando a porca do torno para a esquerda, o torno fica solto e move-se rapidamente para dentro e para fora. Para prender a peça de trabalho, empurre o botão do torno para a frente até que a placa do torno contacte a peça de trabalho e incline a porca do torno para a direita. Em seguida rode o botão do torno para a direita para prender a peça de trabalho.

A largura máxima da peça de trabalho que pode ser presa pelo torno horizontal é 200 mm.

Quando instala o torno horizontal no lado direito da base, utilize também a guia auxiliar direita para prender a peça de trabalho mais firmemente. Refira-se à secção “Guia auxiliar direita” descrita anteriormente para instalar a guia auxiliar direita.

PRECAUÇÃO:

- Coloque sempre a porca do torno completamente para a direita quando prende a peça de trabalho. Se assim não for a peça de trabalho pode ficar mal presa. Pode causar com que a peça de trabalho caia, estragar a lâmina ou causar perda de controlo que pode resultar em DANOS PESSOAIS.

Suportes (Fig. 40)

Os suportes podem ser colocados em qualquer dos lados da ferramenta como meio conveniente de segurar horizontalmente peças de trabalho. Deslize o suporte dos varões para os orifícios na base e regule o seu comprimento de acordo com a peça de trabalho a ser suportada. Em seguida aperte os suportes cuidadosamente com os parafusos.

PRECAUÇÃO:

- Suporte sempre as peças compridas niveladas com a superfície superior da base giratória para obter cortes precisos e evitar o perigo de perda de controlo.

OPERAÇÃO

PRECAUÇÃO:

- Antes da utilização, certifique-se de que liberta a pega da posição inferior empurrando o pino do travagem.
- Verifique se o disco não está em contacto com a peça de trabalho, etc., antes de ligar o interruptor.
- Não aplique uma pressão excessiva na pega ao cortar. Uma força excessiva pode dar origem a sobrecarga do motor e/ou diminuir a eficiência do corte. Carregue na pega apenas com a força suficiente para cortar suavemente e sem uma redução significativa da velocidade do disco de corte.
- Pressione suavemente a pega para executar o corte. Se a pega for pressionada com muita força ou se aplicar força lateral, o disco vibrará e deixará uma marca (marca de serra) na peça de trabalho e o corte não ficará perfeito.
- Quando cortar deslocando a ferramenta, empurre o carro suavemente na direcção da guia de esquadria sem parar. Se o movimento do carro for interrompido durante o corte, deixará marca na superfície de trabalho e o corte não será perfeito.

1. Corte segurando superfícies de trabalho (pequenas) (Fig. 41)

Superfícies até 91 mm de altura e 70 mm de largura podem ser cortadas da seguinte maneira.

Empurre o carro completamente para a guia de esquadria e aperte o botão para a esquerda para prender o carro. Segure a superfície de trabalho com o torno. Ligue a ferramenta sem que a lâmina faça qualquer contacto e espere até que a lâmina atinja toda a velocidade antes de a descer. Em seguida desça a pega suavemente para a posição completamente descida para cortar a peça de trabalho. Quando acabar o corte, desligue a ferramenta e ESPERE QUE O DISCO ESTEJA COMPLETAMENTE PARADO antes de voltar a levantá-lo.

PRECAUÇÃO:

- Aperte firmemente o botão para a esquerda de modo a que os carretos não se movam durante a operação. Aperto insuficiente pode causar retorno inesperado da lâmina. Pode resultar em DANOS PESSOAIS graves.

2. Corte correção (empurrão) (corte de peças de trabalho largas) (Fig. 42)

Solte o botão para a esquerda para que os carretos possam deslizar livremente. Prenda a peça de trabalho com o torno. Puxe os carretos completamente para si. Ligue a ferramenta sem que a lâmina faça qualquer contacto e espere até que atinja a velocidade máxima. Empurre a pega para baixo e EMPURRE OS CARRETOS NA DIRECÇÃO DA PLACA GUIA E NA PEÇA DE TRABALHO. Quando o corte estiver concluído desligue a ferramenta e ESPERE ATÉ QUE A LÂMINA ESTEJA COMPLETAMENTE PARADA antes de a fazer voltar à posição completamente elevada.

PRECAUÇÃO:

- Quando executa o corte correção, PRIMEIRO PUXE OS CARRETOS COMPLETAMENTE PARA SI e pressione a pega para a posição mais baixa e em seguida EMPURRE OS CARRETOS NA DIRECÇÃO DA PLACA GUIA. NUNCA INICIE O CORTE QUANDO OS CARRETOS NÃO ESTÃO COMPLETAMENTE PUXADOS PARA SI. Se executar o corte deslizante sem puxar completamente os carretos ou se executar o corte correção na sua direcção, a lâmina pode retornar inesperadamente podendo causar sérios DANOS PESSOAIS.
- Nunca execute o corte correção com a pega bloqueada na posição inferior por ter pressionado o pino de travagem.
- Nunca desaperte o botão que prende os carretos enquanto a lâmina está a rodar. Pode causar danos sérios.

3. Corte de esquadria

Refira-se à descrição prévia “Regulação do ângulo de esquadria”.

4. Corte de bisel (Fig. 43)

Solte a alavanca e incline a lâmina da serra para o ângulo de bisel regulado (Refira-se a “Regulação do ângulo de bisel” descrita anteriormente): Certifique-se de que volta a apertar a alavanca firmemente para prender seguramente o ângulo de bisel seleccionado. Prenda a peça de trabalho com um torno. Certifique-se de que o carreto está puxado completamente para trás para o operador. Ligue a ferramenta sem que a lâmina faça qualquer contacto e espere até que a lâmina atinja a velocidade máxima. Em seguida desça cuidadosamente a pega até à posição mais baixa enquanto aplica pressão em paralelo com a lâmina e EMPURRE O CARRETO NA DIRECÇÃO DA PLACA GUIA PARA CORTAR A PEÇA DE TRABALHO. Quando o corte estiver concluído, desligue a ferramenta e ESPERE ATÉ QUE A LÂMINA ESTEJA COMPLETAMENTE PARADA antes de a fazer voltar à posição totalmente elevada.

PRECAUÇÃO:

- Certifique-se de que o disco se desloca para baixo para a direcção de bisel durante um corte de bisel. Mantenha as mãos afastadas do curso do disco de corte.

- No decorrer de um corte de bisel, pode gerar-se uma condição em que o bocado cortado fica encostado à parte lateral do disco. Se levantar o disco enquanto está ainda a rodar, o bocado pode ser apanhado pelo disco, e espalhar fragmentos à volta, o que é perigoso. O disco deve ser levantado SÓ depois de estar completamente parado.
- Quando descer a pega, exerça pressão paralelamente ao disco. Se a força for exercida perpendicularmente à base giratória ou se mudar a direcção da pressão durante o corte, provocará um corte imperfeito.
- Coloque sempre a subguia na posição à esquerda ao executar cortes de bisel à esquerda.

5. Corte composto

O corte composto é o processo em que um ângulo de bisel é executado em simultâneo com um corte em ângulo de esquadria na peça de trabalho. O corte composto pode ser executado nos ângulos indicados na tabela.

Ângulo de esquadria	Ângulo de bisel
Esquerdo 0° – 47°, Direito 0° – 45°	Esquerdo e Direito 0° – 45°
Direito 52°	Esquerdo 0° – 40° e Direito 0° – 45°

Pode cortar superfícies até 50 mm de altura e 200 mm de largura com o ângulo de esquadria esquerdo de 45° e o ângulo de bisel esquerdo de 45°.

Pode cortar superfícies até 50 mm de altura e 215 mm de largura com o ângulo de esquadria direito de 45° e o ângulo de bisel esquerdo de 45°.

No ângulo de esquadria à esquerda e direita de 45° e no ângulo de bisel à direita de 45°, pode cortar peças de trabalho de até 31 mm de altura e 215 mm de largura. Para executar cortes combinados consulte as explicações de “Corte segurando superfícies de trabalho”, “Corte correção”, “Corte de esquadria” e “Corte de bisel”.

6. Corte de uma extrusão de alumínio

Ao fixar extrusões de alumínio, utilize blocos espaçadores ou sobras de material, como indicado na **Fig. 44**, para evitar a deformação do alumínio. Utilize um lubrificante de corte ao cortar a extrusão de alumínio para evitar a acumulação de limalhas de alumínio no disco.

PRECAUÇÃO:

- Nunca tente cortar extrusões de alumínio grosso ou redondo. As extrusões de alumínio grosso podem soltar-se durante a operação e as de alumínio redondo não podem ser fixas com segurança, com esta ferramenta. (**Fig. 45**)

7. Corte de ranhura (Fig. 46)

Pode fazer um corte tipo dado procedendo como se segue: Regule a posição inferior da lâmina utilizando os parafusos de regulação e o braço de bloqueio para limitar a profundidade de corte da lâmina. Refira-se à secção “Placa de retenção” descrita anteriormente.

Depois de regular a posição de limite inferior da lâmina, corte ranhuras paralelas ao longo da largura da peça de trabalho utilizando um corte deslizante (empurrão) como indicado na figura. Em seguida retire o material da peça de trabalho entre as ranhuras com um cinzel. Não tente executar este tipo de corte lâminas largas (espessas) ou com uma lâmina dado. Pode perder o controlo resultando em danos sérios.

PRECAUÇÃO:

- Certifique-se que volta a colocar o braço de bloqueio na posição original quando executa cortes que não sejam de ranhuras.

Transporte da ferramenta

Certifique-se de que a ferramenta está desligada da corrente. Prenda a lâmina no ângulo de bisel de 0° e rode a base completamente para o ângulo de esquadria à direita. Prenda as braçadeiras deslizantes depois de puxar os carretos completamente para si. Desça a pega completamente e prenda-a na posição inferior empurrando o pino de travagem. (**Fig. 47**)

Transporte a ferramenta agarrando nos dois lados da base da ferramenta como indicado na figura. Se retirar os suportes, saco do pó, etc., pode transportar mais facilmente a ferramenta. (**Fig. 48**)

PRECAUÇÃO:

- Fixe sempre os componentes móveis antes de proceder ao transporte da ferramenta.
- O pino do travão serve apenas para efeitos de transporte e armazenagem e não para quaisquer operações de corte.

MANUTENÇÃO

PRECAUÇÃO:

- Certifique-se sempre de que a ferramenta está desligada e com a ficha retirada da tomada antes de tentar proceder à inspecção, ou à manutenção da ferramenta.

AVISO:

- Certifique-se sempre de que o disco de corte se encontra afiado e limpo, para obter um desempenho otimizado e seguro.

Regulação do ângulo de corte

Esta ferramenta foi cuidadosamente regulada e alinhada na fábrica, podendo, no entanto, um manuseamento inadequado afectar o respectivo alinhamento. Se a sua ferramenta não se encontrar devidamente alinhada, execute o seguinte:

1. Ângulo de esquadria

Empurre o carro na direcção da guia de esquadria e aperte o botão para prender o carro.

Solte o punho que prende a base giratória. Rode a base giratória de modo a que o ponteiro aponte para 0° na escala de esquadria. Em seguida rode a base giratória ligeiramente para a direita e esquerda para colocar a base giratória na ranhura de 0° de esquadria. (Deixe-a como está se o ponteiro não apontar para 0°.) Liberte os pernos hexagonais que prendem a placa guia utilizando a chave hexagonal. (**Fig. 49**)

Desça a pega completamente e prenda-a na posição inferior empurrando o pino de bloqueio. Ajuste o lado da lâmina com a face da placa guia, utilizando um triângulo, esquadro, etc. Em seguida aperte firmemente os pernos hexagonais na placa guia em ordem a partir do lado direito. (**Fig. 50**)

Certifique-se de que o ponteiro aponta para 0° na escala de esquadria. Se o ponteiro não apontar para 0°, liberte o parafuso que prende o ponteiro e regule o ponteiro de modo a que aponte para 0°. (Fig. 51)

2. Ângulo de bisel

1) Ângulo de bisel de 0°

Empurre o carro na direcção da guia de esquadria e aperte o botão para o prender. Desça a pega completamente e aperte-a na posição inferior empurrando o pino de bloqueio. Desaperte a alavanca na parte traseira da ferramenta. Certifique-se de que o braço está travado. (Fig. 52)

Rode o perno hexagonal no lado esquerdo do braço duas ou três vezes para a esquerda. Rode o perno hexagonal no lado direito do braço duas ou três vezes para a esquerda para inclinar o disco para a esquerda. (Fig. 53)

Alinhe cuidadosamente o lado do disco com a superfície superior da base giratória utilizando um esquadro, régua, etc., rodando o perno hexagonal no lado direito do braço para a direita. Rode o perno hexagonal no lado esquerdo do braço para a direita, até ao máximo. Em seguida aperte a alavanca com firmeza. (Fig. 54)

Certifique-se de que os dois ponteiros no braço marcam ambos 0° na escala de bisel no suporte do braço. Se tal não acontecer, desaperte os parafusos de fixação dos ponteiros e regule-os de modo a que marquem 0°. (Fig. 55)

2) Ângulo de bisel de 45° (Fig. 56)

Regule o ângulo de bisel de 45° só depois de executar a regulação do ângulo de bisel de 0°. Para regular o ângulo de bisel de 45° à esquerda, solte a alavanca e incline a lâmina completamente para a esquerda. Certifique-se de que o ponteiro no braço aponta para 45° na escala de bisel. Se o ponteiro não apontar para 45°, rode o perno de ajuste do ângulo de bisel de 45° à esquerda no lado do suporte do braço até que o ponteiro aponte para 45°.

Para regular o ângulo de bisel de 45° à direita, execute o mesmo procedimento descrito acima.

Regulação para um corte de bisel perfeito (Fig. 57)

A contraporca hexagonal que une o braço e o suporte do braço foi regulada na origem para assegurar a suavidade e perfeição do corte. Não a desregule. Se a ligação do braço e do suporte ficar solta, aperte a contraporca hexagonal utilizando uma chave.

Regulação da posição da linha de laser (Fig. 58 e 59)

Só para o modelo LS1013L, LS1013FL

AVISO:

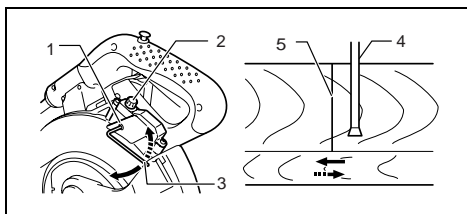
• Se a ferramenta estiver ligada à corrente quando regula a posição da linha de laser, tenha cuidado especial com a acção do interruptor. Carregar no gatilho acidentalmente pode causar um início accidental da ferramenta e danos pessoais.

PRECAUÇÃO:

• Nunca olhe para o raio laser. Se olhar directamente para o raio laser pode ferir os seus olhos.

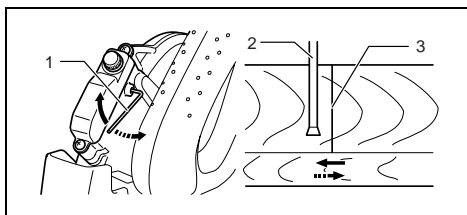
• Nunca dê pancadas ou safanões na ferramenta. Uma pancada ou safanão pode causar uma posição incorrecta de linha de laser, estragar a parte de emissão do raio laser ou diminuir a vida útil da ferramenta.

Quando regula, a linha de laser aparece na parte esquerda da lâmina da serra



- 1 Aparafuse para mudar a deslocação do parafuso de regulação
- 2 Parafuso de regulação
- 3 Chave hexagonal
- 4 Linha de laser
- 5 Lâmina da serra

Quando regula, a linha de laser aparece na parte direita da lâmina da serra



- 1 Aparafuse para mudar a deslocação do parafuso de regulação
- 2 Lâmina da serra
- 3 Linha de laser

Para as duas regulações, proceda como se segue.

1. Certifique-se de que a ferramenta está desligada da corrente.
2. Desenhe a linha de corte na peça de trabalho e coloque-a na mesa giratória. Nesta altura, prenda a peça de trabalho com um torno ou um instrumento semelhante.
3. Desça a lâmina descendo a pega e verifique a localização da linha de corte e da lâmina da serra. (Decida a posição a cortar na linha de corte.)
4. Depois de decidir a posição de corte, volte a colocar a pega na posição original. Prenda a peça de trabalho com o torno vertical sem mudar a peça de trabalho de posição pré-verificada.
5. Ligue a ferramenta à corrente e ligue o interruptor de laser.
6. Regule a posição da linha de laser como se segue.

A posição da linha de laser pode ser mudada de acordo com a gama deslocável do parafuso de regulação pois o laser é mudado rodando dois parafusos com a chave hexagonal. (A gama deslocável da linha de laser foi regulada na fábrica a 1 mm da superfície lateral da lâmina.)

Para mudar a gama deslocável da linha de laser para mais afastada da superfície da lâmina, rode os dois parafusos para a esquerda depois de soltar o parafuso de regulação. Rode estes dois parafusos para a direita para mudar para mais próximo da lâmina depois de soltar o parafuso de regulação.

Refira-se à secção “Acção do raio laser” e regule o parafuso de regulação de modo a que a linha de corte na sua peça de trabalho esteja alinhada com a linha de laser.

NOTA:

- Verifique regularmente a precisão da linha de laser.
- No caso de qualquer incorrecção na linha de laser mande reparar a ferramenta num centro de assistência autorizado da Makita.

Limpeza das lentes para a luz laser (Fig. 60 e 61)

Só para o modelo LS1013L, LS1013FL

Se as lentes para a luz laser ficarem sujas ou poeira aderir de modo a que a linha de laser deixe de ser visível, desligue a serra da corrente e retire e limpe as lentes da luz laser cuidadosamente com um pano húmido, macio. Não utilize solventes ou outros produtos de limpeza à base de petróleo.

Para retirar as lentes para a luz laser, retire a lâmina da serra antes de retirar as lentes de acordo com as instruções na secção “Instalar ou retirar a lâmina da serra”.

Solte mas não retire o parafuso que prende as lentes utilizando uma chave de parafusos.

Tire as lentes como indicado na figura.

NOTA:

- Se as lentes não saírem, solte mais o parafuso e tire as lentes para fora sem retirar o parafuso.

Substituição da lâmpada fluorescente tubular (Fig. 62)

Só para o modelo LS1013F, LS1013FL

PRECAUÇÃO:

- Certifique-se sempre de que a ferramenta está desligada e com a ficha retirada da tomada antes de substituir o tubo fluorescente.
- Não aplique força, impactos nem risque um tubo fluorescente, pois pode provocar a fractura do tubo, resultando em lesões em si próprio e nos que o rodeiam.
- Não toque no tubo fluorescente durante um bocadinho logo após este ter sido utilizada, e depois substitua-o. Caso contrário, pode sofrer queimaduras.

Retire os parafusos, que fixam a caixa da lâmpada da luz. Retire a caixa da lâmpada, empurrando ligeiramente a respectiva posição superior, conforme ilustrado na Fig. 62.

Retire o tubo fluorescente e substitua-o com um tubo novo original da Makita.

Substituição das escovas de carvão (Fig. 63 e 64)

Desmonte e verifique as escovas de carvão regularmente. Substitua-as quando estas apresentarem um desgaste até à marca limite. Mantenha as escovas de carvão limpas e soltas, podendo deslizar nos suportes. Ambas as escovas de carvão devem ser substituídas em simultâneo. Utilize exclusivamente escovas de carvão idênticas.

Recorra a uma chave de fendas para retirar as tampas dos suportes de escovas. Retire as escovas de carvão gastas, introduza as novas e fixe as tampas dos suportes.

Depois da utilização

- Depois da utilização, limpe as aparas e o pó que aderiu à ferramenta com um pano ou material semelhante. Mantenha o resguardo de segurança do disco limpo conforme instruções constantes da anterior secção com o título “Resguardo de segurança do disco de corte”. Lubrifique os componentes deslizantes com óleo de máquina para evitar a ferrugem.
- Quando guardar a ferramenta, puxe o carro completamente para si de modo a que o braço telescópico fique completamente introduzido na base giratória.

Para manter a SEGURANÇA e a FIABILIDADE do produto, as reparações e qualquer outra manutenção ou ajuste devem ser levadas a cabo pelos centros de assistência Makita autorizados, utilizando sempre peças de substituição Makita.

ACESSÓRIOS

PRECAUÇÃO:

- Estes acessórios ou extensões são recomendados para utilização com a sua ferramenta Makita especificada neste manual. A utilização de quaisquer outros acessórios ou extensões pode representar um risco de lesões para pessoas. Utilize apenas um acessório ou extensão para o fim a que se destina.

Se necessitar de informações adicionais relativas a estes acessórios, solicite-as ao seu centro de assistência Makita.

- Lâmina de serra com pontas de aço e de carboneto
- Saco do pó
- Guia auxiliar direita
- Cotovelo
- Conjunto de torno (Torno horizontal)
- Régua triangular
- Torno vertical
- Botão de segurança (2 peças)
- Chave de tubo 13
- Bloco de corte
- Suporte
- Tubo fluorescente (Para LS1013F/LS1013FL)
- Chave hexagonal (Para LS1013L/LS1013FL)


Illustrationsoversigt

1 Befæstelsesstift	34 Pål	67 Vinkelskala
2 Bolt	35 Spindellås	68 Viser
3 Beskyttelseskærm	36 Indre flange	69 Snitmarkering
4 Knap	37 Spindel	70 Viser
5 Indlægsplade	38 Ring	71 Armholder
6 Savklinge	39 Ydre flange	72 Højre 45° skråvinkel justeringsbolt
7 Klingetænder	40 Sekskantbolt (venstregevind)	73 Venstre 45° skråvinkel justeringsbolt
8 Venstre skrånit	41 Støvtude	
9 Lige snit	42 Støvpose	
10 Højre skrånit	43 Lukkeskinne	74 Låsemøtrik
11 Justeringsbolt	44 Støtte	75 Indlægsplade
12 Drejeskive	45 Drejeskive	76 Arbejdsstykke
13 Overflade på drejeskive	46 Hjælpeanslag	77 Skærelinie
14 Klingeperiferi	47 Hjælpeanslag R	78 Lodret skrue
15 Anslag	48 Skrue	79 Skruetrækker
16 Justeringsskrue	49 Skruearm	80 Skrue (kun een)
17 Stoparm	50 Skruestang	81 Linse til laserlys
18 Låsearm	51 Skrue	82 Slidgrænse
19 Indstillingsgreb	52 Skruerknap	83 Kulholderdæksel
20 Viser	53 Anslag	84 Lampe
21 Vinkelskala	54 Skruerplade	85 Lampekontakt
22 Håndtag	55 Møtrik	86 Træk ud
23 Arm	56 Holder	87 Skub
24 Skrånitsskala	57 Kugle	88 Lampeboks
25 Aflåseknop	58 Skrue	89 Skrue
26 Afbryderkontakt	59 Afstandsklods	90 Lysstofrør
27 Håndtag	60 Aluminium-profiler	91 Støvbeholder
28 Laserkontakt	61 Afstandsklods	92 Dæksel
29 Topnøgle	62 Vandret skruestik (ekstraudstyr)	93 Knap
30 Nøgleholder	63 Skær riller med klinger	94 Cylinderdel
31 Midterafdækning	64 Sekskantsbolt	95 Savsmuld
32 Sekskantsbolt	65 Trekantslineal	
33 Klingehus	66 Skrue	

SPECIFIKATIONER

Model **LS1013/LS1013F/LS1013L/LS1013FL**
 Klingediameter 250 – 260 mm
 Hul (skaft) diameter
 For alle lande undtagen europæiske lande 25,4 mm og 25 mm
 For europæiske lande 30 mm
 Max. snitdybde (H x B) med 260 mm diameter klinge

Geringsvinkel	Kipvinkel		
	45° (venstre)	0°	45° (højre)
0°	50 mm x 310 mm	91 mm x 310 mm	31 mm x 310 mm
45° (venstre og højre)	(venstre) 50 mm x 200 mm (højre) 50 mm x 220 mm	91 mm x 220 mm	31 mm x 220 mm
52° (højre)	—	91 mm x 190 mm	—

Omdrejninger (ubelastet)..... 3 700 min⁻¹
 Lasertype (Gælder kun LS1013L/LS1013FL) Rød laser 650 nm, <1mW (laserklasse 2)
 Mål (L x B x H)
 LS1013/LS1013F 715 mm x 520 mm x 625 mm
 LS1013L/LS1013FL 715 mm x 520 mm x 640 mm
 Nettovægt
 LS1013/LS1013F 21 kg
 LS1013L/LS1013FL 22 kg
 Sikkerhedsklasse  /II

- Af hensyn til vort løbende udviklingsprogram forbeholdes ret til ændring af specifikationer uden varsel.
- Bemærk: Tekniske data kan variere fra land til land.

Tilsigtet anvendelse

Denne maskine er beregnet til udførelse af præcis lige afkortning og geringsskæring i træ. Ved brug af passende savklinger kan der også saves i aluminium.

Netspænding

Maskinen må kun tilsluttes den netspænding, der er angivet på typeskiltet. Maskinen arbejder på enkeltfaset vekselspænding og er dobbeltisoleret iht. de europæiske normer og må derfor tilsluttes en stikkontakt uden jordtilslutning.

Sikkerhedsbestemmelser

Af sikkerhedsgrunde bør De sætte Dem ind i de medfølgende Sikkerhedsforskrifter.

YDERLIGERE SIKKERHEDSBESTEMMELSER FOR MASKINEN

1. **Brug altid beskyttelsesbriller.**
2. **Anbring aldrig Deres hænder eller fingre i savklings bane.** Undgå kontakt med klingens bane, mens denne kører i frihjul. Berøring kan medføre alvorlig tilskadekomst.
3. **Anvend ikke saven, hvis beskyttelsesanordningerne ikke er forskriftsmæssigt anbragt.** Kontrollér beskyttelsesskærmen for korrekt funktion før hver brug. Anvend ikke saven, hvis beskyttelsesskærmen ikke bevæger sig frit og lukker øjeblikkeligt. Beskyttelsesskærmen må aldrig klemmes eller bindes til åben position.
4. **Udfør ikke nogen savninger på frihånd.** Emnet skal altid være forsvarligt fastspændt mod drejeskiven og anslaget ved hjælp af skruestikken under alt arbejde med maskinen. Brug aldrig hånden til at holde emnet fast.
5. **Tag aldrig fast om og ræk aldrig omkring savklingen.**
6. **Sluk maskinen og vent indtil savklingen står helt stille, før emnet flyttes eller indstillinger ændres.**
7. **Træk netstikket ud før der udskiftes klinge eller foretages servicering.**
8. **Fastgør altid alle bevægelige dele, inden maskinen transporteres.**
9. **Stopstift, som fastlåser skærehovedet, er kun beregnet til transport- og opbevaringsformål og ikke til nogen form for skæring.**
10. Anvend ikke maskinen i nærheden af letantændelige væsker eller gasser.
11. Før maskinen startes, bør De undersøge savklingen omhyggeligt for eventuelle brud eller anden beskadigelse. Revnede eller på anden måde beskadigede savklinger skal straks udskiftes.
12. Anvend kun flanger, der er anbefalet til brug med denne maskine.
13. Behandl aksel, flanger (specielt anlægsflanger) og bolte med omhu. Beskadigelse af disse dele kan medføre beskadigelse af savklingen.
14. Sørg for, at drejeskiven er fastlåst og ikke bevæger sig under brug.
15. Af hensyn til Deres sikkerhed bør affald og smådele fjernes fra drejeskivens overflade, før arbejdet påbegyndes.
16. Undgå at skære i søm. Fjern alle søm fra emnet, før arbejdet påbegyndes.
17. Forvis Dem om, at spindellåsen er løsnat, før De starter maskinen.

18. Sørg for, at savklingen ikke rører drejeskiven i nederste position.
19. Hold godt fast i grebet. Saven kan ved start og stop bevæge sig let op og ned.
20. Sørg for, at savklingen ikke er i berøring med emnet, før maskinen startes.
21. Før maskinen anvendes på emnet, skal den løbe i tomgang et stykke tid. Undersøg om der forekommer vibrationer eller rystelser, der kan være forårsaget af forkert montage eller manglende afbalancering af savklingen.
22. Påbegynd først savningen, når maskinen er oppe på fulde omdrejninger.
23. Afbryd straks anvendelsen, hvis De bemærker noget unormalt under brugen.
24. Forsøg aldrig at fastlåse afbryderen i "on" stillingen.
25. Vær altid på vagt; især under gentaget, monotont arbejde. Det er farligt at blive lullet ind i en falsk følelse af sikkerhed. Savklingerne er meget farlige.
26. Anvend altid kun det tilbehør, der er anbefalet i denne brugsanvisning. Anvendelse af upassende tilbehør, eksempelvis slibeskiver, kan medføre tilskadekomst.
27. **Anvend ikke saven til at skære andet end aluminium, træ eller lignende materialer.**
28. **Tilslut en afkorter-geringsav til en støvopsamlende anordning, når der saves.**
29. **Vælg savklinger, der passer til det materiale, der skal skæres.**
30. **Vær omhyggelig, når der skal laves notning.**
31. **Udskift indlægspladen, når den bliver slidt.**
32. **Anvend ikke savklinger, der er fremstillet af hurtigstål.**
33. **Støv frembragt under anvendelse kan indeholde kemikalier, der er kendte for at kunne fremkalde kræft, give medfødte defekter eller anledning til anden skade på forplantningsevnen. Nogle eksempler på disse kemikalier er:**
 - bly fra materialer, der er malet med blyholdigt maling
 - arsenik eller chrom fra kemisk behandlet tømmer.Risikoen i forbindelse med udsættelse for disse kemikalier afhænger af, hvor ofte De udfører denne type arbejde. For at reducere udsættelse for disse kemikalier bør De: arbejde i veludluftede områder og med anvendelse af godkendt sikkerhedsudstyr, såsom støvmasker, der er specielt konstrueret til at filtrere mikroskopiske partikler.
34. **For at reducere den frembragte mængde støv bør De sikre, at savklingen altid er skarp og ren.**
35. **Operatøren skal være tilstrækkelig øvet i anvendelse, justering og operation af maskinen.**
36. **Anvend korrekt skærpede savklinger. Overhold den maksimale hastighed, der er angivet på savklingen.**
37. **Undlad at fjerne nogen form for afskær eller andre dele af emnet fra skæreamrådet, så længe maskinen kører og savhovedet ikke er i hvileposition.**

GEM DISSE INSTRUKTIONER

INSTALLATION

Fastgørelse af saven på arbejdspladsen

Ved forsendelse fra fabrik er håndtaget låst i nederste position med en befæstelsessstift. Udløs befæstelsessstiften ved at sænk håndtaget et en smule og trække i befæstelsessstiften. (Fig. 1)

Denne maskine skal fastgøres med fire bolte på et plant og stabilt underlag ved hjælp af bolthullerne i maskinens bund. Dette vil være med til at forebygge, at maskinen tipper og forårsager personskade. (Fig. 2)

FUNKTIONSBESKRIVELSE

FORSIGTIG:

- Kontroller altid, at maskinen er slået fra, og at netstikket er trukket ud, før der udføres justeringer eller funktioner kontrolleres på denne sav.

Beskyttelsesskærm (Fig. 3 og 4)

Når De sænker håndtaget, hæver beskyttelsesskærmen sig automatisk. Beskyttelsesskærmen vender tilbage til udgangspositionen, når savningen er færdig og håndtaget hæves. BESKYTTELSSESKÆRMEN MÅ ALDRIG SÆTTES UD AF FUNKTION OG FJEDEREN PÅ SKÆRMEN MÅ ALDRIG FJERNES.

Deres egen sikkerheds interesse bør De altid holde beskyttelsesskærmen i forskriftsmæssig stand. Forstyrrelser i beskyttelsesskærmens gang bør straks afhjælpes. Kontroller, at fjedrebekæmpningen fungerer og får skærmen til at gå på plads. BRUG ALDRIG MASKINEN HVIS BESKYTTELSSESKÆRMEN ELLER FJEDEREN ER BESKADIGET, DEFEKT ELLER MANGLER. DET ER MEGET FÆRLIGT OG KAN GIVE ANLEDNING TIL ALVORLIG PERSONSKADE.

Hvis den transparente beskyttelsesskærm bliver smudsig, eller der sidder så meget savsmuld på den, at savklingen ikke længere kan ses tydeligt, skal De tage saven ud af forbindelse og rengøre beskyttelsesskærmen med en fugtig klud. Benyt ikke opløsningsmidler eller rengøringsmidler på petroleumsbasis på plasticskærmen.

Hvis beskyttelsesskærmen bliver særlig tilsmudset, og der ikke kan ses tydeligt gennem skærmen, anvendes den medfølgende topnøgle til at løse den sekskantbolt, der holder midterafskærmningen på plads.

Løs sekskantboltten ved at dreje den mod uret og hæv beskyttelsesskærmen og midterafskærmningen. Med beskyttelsesskærmen anbragt på denne måde er det lettere at udføre en mere effektiv rengøring. Når rengøringen er udført, udføres den beskrevne procedure i omvendt orden, og sekskantboltten spændes til. Fjern ikke den fjeder, der holder beskyttelsesskærmen. Hvis beskyttelsesskærmen bliver misfarvet med tiden, eller som følge af ultraviolet bestråling, bør De kontakte et Makita service center for at få en ny beskyttelsesskærm. OMGÅ ELLER AFMONTER ALDRIG BESKYTTELSSESKÆRMEN.

Placering af indlægsplade (Fig. 5 og 6)

Denne maskine er udstyret med indlægsplader i drejeskiven med det formål at minimere slitage på afslutningssiden af en savning. Indlægspladerne er fra fabrikken indstillet således, at savklingen ikke kommer i kontakt med indlægspladerne. Indstil indlægspladerne inden brugen på følgende måde:

Tag først maskinen ud af forbindelse. Løs alle de skruer (2 hver i venstre og højre side), som fastholder indlægspladerne. Stram kun skrueene så meget, at indlægspladerne stadig nemt kan fjernes med hånden. Sænk håndtaget helt og tryk stopstiften ind for at låse håndtaget i den nederste stilling. Løs den knap, som fastholder skydestængerne. Indstil indlægspladerne således, at de lige netop berører siderne på klingetænderne. Stram de forreste skruer (stram ikke for meget). Skub slæden helt mod anslaget og indstil indlægspladerne således, at de lige netop berører siderne af klingetænderne. Stram de bageste skruer (stram ikke for meget).

Frigør stopstiften, når indlægspladerne er indstillet, og hæv håndtaget. Stram derefter alle skrueene godt til.

FORSIGTIG:

- Før og efter ændring af skråvinklen, skal indlægspladerne altid indstilles som beskrevet herover.

Sikring af maksimal skæredybde (Fig. 7 og 8)

Træk netstikket ud før der foretages nogen justeringer. Denne maskine er fra fabrikkens side indstillet således, at den maksimale skæredybde opnås med en 255 mm savklinge.

Når der monteres en ny savklinge, skal den nedre grænseposition på klingens altid kontrolleres, og, såfremt det er påkrævet, justeres som følger:

Træk først netstikket ud. Skub slæden helt mod anslaget og sænk håndtaget fuldstændigt. Anvend en topnøgle til at dreje justeringsbolten, indtil klingeperiferien stikker en smule længere ned end overfladen på drejeskiven på det sted, hvor fronten på anslaget møder overfladen på drejeskiven.

Stadig med netstikket trukket ud, drejes savklingen med hånden, mens håndtaget holdes helt nede. Sørg for, at savklingen ikke berører nogen del af den nederste bund, når grebet er fuldt sænket. Genindstil om nødvendigt en smule.

FORSIGTIG:

- Efter montering af en ny savklinge skal det altid sikres, at klingens ikke er i kontakt med nogen dele af den nedre bund, når håndtaget er fuldstændigt sænket. Udfør altid dette med netstikket trukket ud.

Stoparm (Fig. 9)

Klingens nedre grænseposition kan nemt indstilles med stoparmen. For at indstille den, drejes stoparmen i pilens retning som vist på illustrationen. Indstil justeringsskruen således, at klingens stopper i den ønskede position, når håndtaget sænkes helt.

Justering af geringssnit (Fig. 10)

Løsn indstillingsgrebet ved at dreje det mod uret. Drej drejeskiven, mens låsearmen holdes nede. Med indstillingsgrebet indstiller De den ønskede vinkel, således at viseren står ud for den ønskede vinkel på vinkelskalaen. Indstillingsgrebet fastgøres ved at dreje med uret.

FORSIGTIG:

- Når drejeskiven drejes, skal håndtaget været helt hævet.
- Efter ændring af geringssnitvinklen skal drejeskiven altid sikres ved at indstillingsgrebet spændes stramt til.

Justering af skråvinklen (Fig. 11 og 12)

For at justere vinklen ved skråsnit, løsnes håndtaget på bagsiden af maskinen i retningen mod uret. Frigør armen ved at trykke håndtaget relativt fast i den retning, savklingen skal kippes. Kip savklingen, indtil viseren peger mod den ønskede vinkel på skråsnitskalaen. Stram derefter håndtaget for at holde armen på plads.

FORSIGTIG:

- Når savklingen hældes, skal håndtaget altid være helt hævet.
- Efter ændring af skråsnitvinklen skal håndtaget altid sikres ved at håndtaget spændes stramt til.
- Husk, når skråvinklerne ændres, at placere indlægspladerne korrekt som forklaret i afsnittet "Placering af indlægsplade".

Afbryderfunktion

FORSIGTIG:

- For netstikket sættes i en stikkontakt, bør det altid kontrolleres, at afbryderkontakten fungerer korrekt og returnerer til "OFF" stillingen, når den slippes.
- Når maskinen ikke anvendes, fjernes aflåseknappen og opbevares på et sikkert sted. Dette forhindrer at uvedkommende anvender maskinen.
- Tryk ikke hårdt på afbryderkontakten, uden først at trykke aflåseknappen ind. Dette kan ødelægge afbryderkontakten.

For europæiske lande (Fig. 13)

For at forhindre at afbryderkontakten trykkes ind ved et uheld, er maskinen udstyret med en aflåseknop. Maskinen startes ved at skubbe armen til venstre, trykke aflåseknappen ind og derefter trykke på afbryderkontakten. Slip afbryderkontakten for at stoppe.

For alle andre lande end europæiske (Fig. 14)

For at forhindre at afbryderkontakten trykkes ind ved et uheld, er maskinen udstyret med en aflåseknop. Start maskinen ved at trykke aflåseknappen ind og dernæst trykke på afbryderkontakten. Slip afbryderkontakten for at stoppe.

ADVARSEL:

- Anvend ALDRIG maskinen, hvis afbryderkontakten ikke fungerer, som den skal. Enhver maskinen med en ikke-virkende afbryderkontakt er MEGET FARLIG, og skal repareres før yderligere anvendelse.
- Til sikring af Deres sikkerhed er denne maskine forsynet med en aflåseknop, der forhindrer utilsigtet start af maskinen. Anvend ALDRIG maskinen, hvis den kører, når blot De trykker på afbryderkontakten, uden at der først er trykket på aflåseknappen. Indlevér maskinen til et Makita service center til reparation FØR yderligere anvendelse.
- De må ALDRIG tape låseknappen fast eller omgå aflåseknappens formål og funktion.

Tænd af lampen (Fig. 15 og 16)

Gælder kun model LS1013F, LS1013FL

FORSIGTIG:

- Denne lampe er ikke vandtæt. Vask ikke lampen med vand, og anvend den ikke på fugtige steder. Det kan medføre elektrisk stød.
- Berør ikke lampens linse, mens lampen er tændt, og umiddelbart efter at den slukkes, da linsen er meget varm. Berøring af den varme linse kan give forbrænding.

- Udsæt ikke lampen for voldsomme fysiske påvirkninger, da den kan blive beskadiget, eller dens levetid kan blive nedsat.
- Lad ikke lysstrålen falde direkte i øjnene. Det kan give øjensmerter eller øjenskader.
- Tildæk ikke lampen med klæde, karton, pap eller lignende materialer, mens lampen er tændt, da det kan blive årsag til brand.

Tryk på den øvre del af afbryderen for at tænde lyset, og tryk på den nedre del for at slukke lyset. Flyt lampen for at oplyse et andet område.

BEMÆRK:

- Benyt en tør klud til at tørre smuds af lampens linse. Undgå at ridse lampens linse, da det kan medføre reduceret lysstyrke.

Indlægsplade (ekstraudstyr) (Fig. 17 og 18)

FORSIGTIG:

- Når indlægspladen anvendes, skal der altid skæres med samme geringsvinkel.
- Hvis geringsvinklen ændres, skal der anvendes en anden indlægsplade.
- Anvend aldrig indlægsplade ved skråsnit. Hvis disse forskrifter ikke overholdes, vil indlægspladen splintres, hvilket kan medføre alvorlig tilskadekomst for maskinens bruger.

Ved at anvende indlægspladen til 90° snit kan man skære i emnet på siden af anslaget (højden på emnet kan være op til 35 mm), uden at det splintres. Montér indlægspladen på anslaget med de to skruer. (Justér anslaget og indlægspladen, således at endefladerne er i kontakt. Stram derefter skruerne til.)

Anvendelse af laserstråler

Gælder kun model LS1013L, LS1013FL

FORSIGTIG:

- Se aldrig ind i laserstrålen. Direkte bestråling kan føre til øjenskader.
- LASERBESTRÅLING. SE IKKE IND I STRÅLEN OG BETRAGT DEN IKKE GJENNEM OPTISKE INSTRUMENTER. KLASSE 2M LASERPRODUKT.

For at aktivere laserstrålen, skal De trykke på den øverste del (I) af afbryderen. Tryk på den nederste del (O) for at afbryde. (Fig. 19)

Laserlinjen kan skiftes til enten venstre eller højre side af savklingen ved at man justerer skruen som vist herunder. (Fig. 20)

1. Løs justeringsskruen ved at dreje den i retningen mod uret.
2. Med justeringsskruen løsnet skydes justeringsskruen mod højre eller venstre så langt som den kan komme.
3. Stram justeringsskruen godt til i den position, hvor den holder op med at glide.

Laserlinjen er på fabrikken indstillet således, at den er placeret indenfor 1 mm fra siden af klingens overflade (skæreposition).

BEMÆRK:

- Hvis laserlinjen er utydelig og næsten usynlig på grund af direkte sol i det indendørs eller udendørs vindue, skal der findes et nyt arbejdssted, som ikke er udsat for direkte sol.

Indstilling af laserlinien (Fig. 21)

Laserlinien kan flyttes til enten venstre eller højre side af klingens, alt efter skæremetoden. Vi henviser til forklaringen med overskriften "Anvendelse af laserstråler" angående metoden til flytning.

BEMÆRK:

- Anvend træanlæg mod anslaget, når skærelinien sættes ud for laserlinien på siden af anslaget ved kombineret snit (skråvinkel 45 grader og geringsvinkel til højre 45 grader).

- Når den korrekte størrelse på venstre side af arbejdsstykket er opnået
 - Flyt laserlinien til venstre side af klingens.
- Når den korrekte størrelse på højre side af arbejdsstykket er opnået
 - Flyt laserlinien til højre side af klingens.

Sæt skærelinien på arbejdsstykket på linie med laserlinien.

SAMLING

FORSIGTIG:

- Sørg altid for at maskinen er slukket og netstikket trukket ud, før der foretages noget arbejde på selve maskinen.

Opbevaring af topnøgle (Fig. 22)

Topnøglen opbevares som vist på illustrationen. Tag topnøglen ud af nøgleholderen, når den skal anvendes. Sæt den tilbage i nøgleholderen, når den ikke skal anvendes mere.

Montering og afmontering af savklingen

FORSIGTIG:

- Sørg altid for at maskinen er slukket og netstikket trukket ud, før savklingen monteres eller afmonteres.
- Anvend kun den topnøgle, der er leveret af Makita til at montere eller afmontere savklingen. I modsat fald kan en for hård eller for let tilspænding af sekskantbolten forekomme. Dette kan medføre personskader.

Lås håndtaget i den hævede position ved at trykke stopstiften ind. (Fig. 23)

For at afmontere savklingen anvendes topnøglen til at løse den sekskantbolt, der holder midterafdækningen, ved at dreje mod uret. Løft beskyttelsesskærmen og midterafdækningen. (Fig. 24)

Tryk på spindellåsen, således at savklingen ikke kan dreje, og løsn sekskantbolten ved at dreje den med uret med topnøglen. Fjern derefter sekskantbolten, den ydre flange og savklingen. (Fig. 25)

For at montere savklingen sættes denne på spindlen, idet De forvisser Dem om, at pilens retning på savklingen stemmer overens med pilens retning på klingehuset. Monter den ydre flange og sekskantbolten. Benyt derefter topnøglen til spænde sekskantbolten (venstreskåret gevind) fast ved at dreje den mod uret, mens der trykkes på spindellåsen. (Fig. 26)

For alle lande undtagen europæiske lande

FORSIGTIG:

- Den sorte ring med en ydre diameter på 25 mm og den sølvfarvede ring med en ydre diameter på 25,4 mm er monteret på fabrikken som vist på illustrationen. Når der anvendes en klinge med en hul diameter på 25 mm, skal den sølvfarvede ring erstattes med den sorte ring. Inden savklingen monteres på spindlen, bør det altid kontrolleres, at den korrekte ring, der passer til skafthullet i den savklinge, som De agter at anvende, er monteret mellem den indre og ydre flange. (Fig. 27)

Gælder lande i Europa

FORSIGTIG:

- Ringens med en udvendig diameter på 30 mm er monteret mellem den indre og ydre flange på fabrikken.

Benyt derefter topnøglen til spænde sekskantbolten fast ved at dreje den mod uret, mens der trykkes på spindellåsen.

Sæt beskyttelsesskærmen og midterafdækningen på plads. Stram dernæst sekskantbolten til med uret for at holde midterafdækningen på plads. Frigør håndtaget fra dets hævede position ved at trække i stopstiften. Sænk håndtaget for at sikre, at beskyttelsesskærmen bevæger sig korrekt. Sørg for, at spindellåsen er udløst, før det savs. (Fig. 28)

Støvpose (ekstraudstyr) (Fig. 29)

Anvendelse af støvposen giver et renere arbejdsmiljø og gør opsamling af støv nemmere. Støvposen sættes på ved at posens mundstykke sættes ind i støvtuden på klingeholderen og posens åbning sættes over støvmundstykket.

Når støvposen er cirka halvt fyldt, tages den af maskinen og lukkeskinnen trækkes ud. Tøm støvposen og bank let på den, så de støvpartikler, der har samlet sig på de indvendige flader og som kan nedsætte effektiviteten af støvsopsamlingen, fjernes.

BEMÆRK:

- Hvis De tilslutter en Makita-støvsuger til denne maskine, kan en renere og mere effektiv udsugning opnås.

Støvbeholder (ekstraudstyr) (Fig. 30, 31 og 32)

Sæt støvbeholderen ind i støvmundstykket.

Tøm støvbeholderen så hurtigt som muligt.

For at tømme støvbeholderen, skal man åbne dækslet ved at trykke på knappen, hvorefter savsmuldet kan kasseres. Sæt dækslet tilbage til dets udgangsstilling, så det fastlåses. Støvbeholderen kan nemt tages af ved at man trækker den udad, idet man drejer den i nærheden af støvmundstykket på maskinen.

BEMÆRK:

- Hvis De slutter en Makita-støvsuger til denne maskine, kan en renere og mere effektiv udsugning opnås.

FORSIGTIG:

- Tøm støvbeholderen, inden niveauet af opsamlet savsmuld når cylinderdelen.

Fastspænding af emnet

ADVÆRSEL:

- Det er meget vigtigt altid at fastspænde emnet godt og stramt med skruestikken. Gøres det ikke, kan maskinen blive beskadiget og/eller emnet kan blive ødelagt. DER KAN OGSÅ SKE PERSONSKADE. Efter anvendelse af maskinen, MÅ savklingen IKKE hæves, før den er fuldstændig stoppet.

FORSIGTIG:

- Ved skæring af lange emner bør der benyttes oplægerforlængere, der har samme højde som drejeshakens overflade. Forlad Dem ikke udelukkende på den lodrette og/eller vandrette skruestik ved fastspænding af emnet.

Tynde materialer har en tendens til at bøje. Understøt et emne i hele dets længde, så det udgås at klingens klemmes fast med TILBAGESLAG som resultat. (Fig. 33)

Hjælpeanslag

Denne maskine er udstyret med et hjælpeanslag som normalt skal placeres som vist i **Fig. 34**.

Men når der skal udføres venstre skråsnit, skal den sættes til den venstre stilling som vist på **Fig. 35**.

FORSIGTIG:

- Indstil altid hjælpeanslaget til den venstre position, som vist i **Fig. 35**, når der udføres skråsnit. Ellers vil det komme i kontakt med klingens eller en del af maskinen, hvilket kan medføre, at operatøren kommer alvorligt til skade.

Hjælpeanslag R (medfølger ikke) (Fig. 36)

Hjælpeanslaget R kan monteres på højre side af anslaget. Sæt stængerne på hjælpeanslag R ind i hullerne i anslaget. Stram skruerne, som følger med hjælpeanslag R, for at fastspænde hjælpeanslag R.

FORSIGTIG:

- Når der laves højre skråsnit, må man aldrig anvende hjælpeanslag R. Det vil komme i kontakt med klingens eller andre dele af maskinen, hvilket kan medføre, at operatøren kommer til skade.

Lodret skruestik (Fig. 37)

Den lodrette skruestik kan monteres i to stillinger på enten venstre eller højre side af anslaget eller drejeskiven. Sæt skruestangen ind i hullet på anslaget og stram skruen på bagsiden af anslaget til for at holde skruestangen på plads.

Indstil skruearmen efter emnets tykkelse og form og fastspænd den ved hjælp af vingeskruen. Hvis vingeskruen til fastspænding af skruearmen kommer i kontakt med anslaget, skal vingeskruen monteres på den modsatte side af skruearmen. Sørg for, at ingen del af maskinen kommer i kontakt med skruestikken, når håndtaget sænkes helt og slæden skubbes eller trækkes hele vejen. Hvis nogle dele berører skruestikken, bør skruearmen genindstilles.

Tryk emnet fladt imod anslaget og drejeskiven. Justér emnet til den ønskede skråsnitsmarkering og fastgør det ved at stramme skruen.

FORSIGTIG:

- Emnet bør være helt fastspændt mod drejeskiven og anslaget med skruestikken under al arbejde.

Vandret skruestik (ekstraudstyr) (Fig. 38 og 39)

Den vandrette skruestik kan monteres enten på venstre eller højre side af bunden. Når der skal laves geringsnit på 15° eller mere, skal den vandrette skruestik monteres på den side, der vender modsat af den retning, som drejeskiven skal drejes.

Ved at dreje møtrikken til venstre, frigøres skruestikken, og bevæger sig hurtigt ind og ud. Arbejdsemnet gribes ved at man trykker skruenknappen fremad, indtil skruen kommer i kontakt med arbejdsemnet og drejer møtrikken til højre. Drej derefter skruenknappen med uret for at fastspænde arbejdsemnet.

Den maksimale bredde på arbejdsemnet, der kan fastspændes i den vandrette skruestik, er 200 mm.

Når den vandrette skruestik monteres på højre side af bunden, skal man også anvende hjælpeanslaget R for at fastholde arbejdsemnet bedre. Vi henviser til afsnittet "Hjælpeanslag R" angående montering af hjælpeanslag R.

FORSIGTIG:

- Sæt altid møtrikken helt til højre, når arbejdsemnet fastspændes. Forsømmelse af dette kan resultere i, at arbejdsemnet ikke fastspændes ordentligt. Dette kan igen bevirke, at arbejdsstykket slynges bort, hvilket kan beskadige klingens eller medføre, at man mister kontrollen over maskinen. Dette kan resultere i PERSONSKADE.

Holdere (Fig. 40)

Holderne kan monteres på begge sider, hvilket er ideelt til at holde arbejdsemnet vandret. Lad holderstængerne glide ind i hullerne i bunden og indstil deres længde i overensstemmelse med det arbejdsemne, som skal fastholdes. Fastgør derefter holderne ordentligt med skrueerne.

FORSIGTIG:

- Understøt altid lange arbejdsemner, så de holdes i plan med oversiden af drejeskiven, så der opnås præcise snit og det ikke risikeres, at operatøren mister kontrollen over maskinen.

ANVENDELSE

FORSIGTIG:

- Før betjening bør håndtaget altid frigøres fra den nederste stilling ved at man trækker i befæstelsesstiften.
- Sørg for at savklingen ikke berører emnet, el. lign. før maskinen startes.
- Læg ikke for meget tryk på håndtaget, når der saves. For kraftigt tryk kan resultere i overbelastning af motoren og/eller formindsket savekapacitet. Tryk kun håndtaget ned med så meget kraft, som der kræves for at udføre ubesværet savning og uden at klingens hastighed reduceres ret meget.
- Tryk forsigtigt håndtaget ned for at udføre savningen. Hvis håndtaget trykkes ned med magt, eller hvis det udsættes for sidelæns tryk, vibrerer savklingen og efterlader mærker (savmærker) på emnet, ligesom savningen ikke vil blive nøjagtig.
- Ved glidende snit skal slæden forsigtigt skubbes mod anslaget uden at stoppe. Hvis slæden stoppes under savningen, vil der komme et mærke på emnet og savningen vil heller ikke være nøjagtig.

1. Savning ved tryk (små emner) (Fig. 41)

Emner op til 91 mm høje og 70 mm brede kan saves på følgende måde.

Skub slæden helt mod anslaget og stram knappen i retningen med uret for at fastspænde slæden. Spænd emnet fast med skruestikken. Tænd for maskinen, uden at klingens kommer i kontakt, og vent til klingens er kommet op på fulde omdrejninger, inden sænkning. Sænk derefter grebet til den helt sænkede position for at skære arbejdsstykket. Når snittet er afsluttet, slukkes maskinen hvorefter DE SKAL VENTE TIL SAVKLINGEN STÅR HELT STILLE før savhovedet bringes tilbage i dens øverste position.

FORSIGTIG:

- Stram knappen godt til i retningen med uret, så slæden ikke flytter sig under arbejdet. Utilstrækkelig stramning kan forårsage uventet tilbageslag af klingens. Dette kan resultere i PERSONSKADE.

2. Savning ved gliden (tryk) (skæring af brede arbejdsemner) (Fig. 42)

Løsn knappen mod uret, så slæden kan glide frit. Fastspænd arbejdsemnet med skruestikken. Træk slæden helt imod dig. Tænd for maskinen, uden at klingen kommer i kontakt med emnet og vent, indtil klingen er kommet op på fuld hastighed. Tryk håndtaget ned og TRYK SLÆDEN MOD ANSLAGET OG GENNEM ARBEJDESMENET. Afbryd maskinen, når skæringen er færdig og VENT TIL SAVKLINGEN STÅR HELT STILLE, inden De sætter klingens tilbage til den øverste position.

FORSIGTIG:

- Når der udføres savning ved gliden, skal De FØRST TRÆKKE SLÆDEN HELT IMOD DEM og trykke håndtaget ned til den nederste position og derefter SKUBBE SLÆDEN MOD ANSLAGET. BEGYND ALDRIG SKÆRINGEN, HVIS SLÆDEN IKKE ER TRUKKET HELT IMOD DEM. Hvis De udfører savning uden at trække slæden helt imod Dem eller hvis De udfører skråsnittet i retningen mod Dem, kan der opstå uventet tilbageslag af savklingen med PERSONSKADE til følge.
- Udfør aldrig savning ved gliden med håndtaget låst i den nederste position ved at trykke på stopstiften.
- Løsn aldrig knappen, som fastholder slæden, mens savklingen roterer. Dette kan resultere i alvorlig tilskadekomst.

3. Geringssnit

Vi henviser til det tidligere afsnit "Justering af gerings-snit".

4. Skråsnit (Fig. 43)

Løsn armen og vip savklingen for at indstille vinklen til skråsnit. (Se det tidligere afsnit "Justering af skråvinklen"). Sørg for at spænde armen godt fast igen, så skråsnitvinklen ikke ændrer sig. Fastspænd arbejdsemnet i skruestikken. Tænd for maskinen, uden at savklingen berører arbejdsemnet og vent, til klingens har nået fulde omdrejninger. Sænk derefter forsigtigt håndtaget til den laveste position, mens der lægges tryk parallelt med savklingen og SKUB SLÆDEN MOD ANSLAGET FOR AT SKÆRE ARBEJDESMENET. Når snittet er afsluttet, skal De slukke for maskinen og VENDE TIL SAVKLINGEN STÅR HELT STILLE, før savklingen bringes tilbage til dens øverste position.

FORSIGTIG:

- Sørg altid for, at klingens bevæger sig ned i skråsnittets retning, når der udføres skråsnit. Hold hænderne væk fra savklingsbane.
- Når der udføres skråsnit, kan der opstå en situation, hvor det afskårne stykke hviler mod siden af savklingen. Hvis savklingen løftes, mens den stadig roterer, kan dette fraskær blive fanget i savklingen, og små stykker fraskær kan blive slynget væk, hvilket er meget farligt. Savklingen MÅ KUN løftes forsigtigt, efter at savklingen står fuldstændig stille.
- Når håndtaget trykkes ned, skal dette gøres samtidig med at savklingen trykkes ned. Hvis der bruges magt lodret på drejeskiven eller hvis trykket ændres under bearbejdningen, bliver det udførte arbejde ikke nøjagtigt.
- Indstil altid hjælpeanslaget til den venstre position, når der udføres skråsnit.

5. Kombineret snit

Kombineret snit er betegnelsen for den proces, hvor der frembringes en skråvinkel samtidig med at der laves en geringsvinkel i emnet. Kombineret snit kan udføres i en vinkel som vist i nedenstående tabel.

Geringsvinkel	Skråvinkel
Venstre 0° – 47°, højre 0° – 45°	Venstre og højre 0° – 45°
Højre 52°	Venstre 0° – 40° og højre 0° – 45°

Der kan skæres op til 50 mm høje og 200 mm brede emner ved geringsvinkel til venstre på 45° og skråvinkel til venstre 45°.

Der kan skære op til 50 mm høje og 215 mm brede emner ved geringsvinkel til højre på 45° og skråvinkel til venstre 45°.

Ved en venstre og højre geringsvinkel på 45° og en højre skråvinkel på 45°, kan der skæres op til 31 mm høje og 215 mm brede arbejdsemner.

Se forklaringerne i "Savning ved tryk", "Savning ved gliden", "Geringssnit" og "Skråsnit" når der skal udføres kombineret savning.

6. Skæring af aluminium-profiler

Når aluminium-profiler fastspændes, skal der anvendes en afstandsklods eller et stykke affaldstræ som vist i Fig. 44 for at forhindre, at aluminiumet bliver bøjet eller beskadiget. Anvend skæreolie, når der skæres aluminium-profiler for at forhindre, at der sætter sig aluminium på savklingen.

FORSIGTIG:

- Forsøg aldrig at skære tykke eller runde aluminiumprofiler. Tykke aluminiumprofiler kan løse sig under arbejdet, og runde profiler kan ikke fastspændes godt nok med denne maskine. (Fig. 45)

7. Notskæring (Fig. 46)

En skæring af frisetypen kan udføres ved at man går frem som følger: Indstil den nedre grænseposition for klingens ved hjælp af justeringsskrue og stoparmen for at begrænse savklings skæredybde. Se det tidligere afsnit "Stoparm".

Når klingens nedre grænseposition er indstillet, skæres parallelle noter langs arbejdsemnet med anvendelse af savning ved gliden (tryk) som vist på illustrationen. Fjern derefter materialet mellem noterne med en mejsel. Forsøg ikke at udføre denne type skæring ved hjælp af brede (tykke) klinger eller en friseklinge. Der vil i så fald være risiko for, at De mister kontrollen over maskinen og kommer til skade.

FORSIGTIG:

- Sørg altid for at sætte stoparmen tilbage til udgangsstillingen, når De udfører anden notskæring.

Transport af maskinen

Sørg først for, at maskinen er taget ud af strømforbindelse. Fastgør klingens i 0° til skråsnit og drej bunden til højre til fuld geringsvinkel. Fastgør skydestængerne efter at De har trukket slæden helt imod Dem. Sænk håndtaget helt og lås det i den nederste position ved at trykke stopstiften ind. (Fig. 47)

Bær maskinen ved at holde i begge sider af maskinens bund som vist på illustrationen. Hvis De fjerner holderne, støvposen etc., bliver det nemmere at bære maskinen. (Fig. 48)

FORSIGTIG:

- Fastgør altid bevægelige dele, før maskinen transporteres.
- Befæstelsesskiften er til brug, når maskinen bæres og ved opbevaring, og den er ikke til brug ved savning.

VEDLIGHOLDELSE

FORSIGTIG:

- Kontroller altid, at maskinen er slået fra, og at netstikket er trukket ud, før der udføres eftersyn eller vedligeholdelse.

ADVARSEL:

- Sørg altid for, at klingen er skarp og ren for at opnå det bedste resultat.

Indstilling af skærevinklen

Denne maskine er omhyggeligt indstillet og justeret fra fabrikkens side, men indstillingerne kan forandres under transport og brug. De kan selv foretage indstillinger, som beskrevet her, hvis maskinen ikke er indstillet korrekt:

1. Geringsvinkel

Skub slæden mod anslaget og stram knappen for at fastspænde det.

Løsn grebet, som holder drejeskiven. Drej drejeskiven, så viseren kommer til at stå ud for 0° på vinkelskalaen. Drej derefter en smule i retningen med og mod uret for at stille drejeskiven i 0° mærket. (Lad den være som den er, hvis viseren ikke står ud for 0°). Løsn sekskantboltene, som holder anslaget, med topnøglen. (Fig. 49)

Sænk håndtaget helt og lås det i den nederste position ved at skubbe stopstiften ind. Sæt savklingens side i en ret vinkel til anslagets forside ved hjælp af en trekantslineal, anslagsvinkel etc. fastspænd sekskantboltene på anslaget, begyndende fra højre. (Fig. 50)

Sørg for at viseren står ud for 0° på vinkelskalaen. Hvis den ikke gør det, løsnes skruen, som holder viseren, og viseren justeres. (Fig. 51)

2. Skråvinkel

1) 0° skråvinkel

Skub slæden mod anslaget og stram knappen for at fastspænde slæden. Sænk håndtaget fuldstændigt og lås det i den laveste position ved at skubbe låsestiften ind. Armen bag på maskinen løsnes. Sørg for, at armen er låst. (Fig. 52)

Drej sekskantboltene på venstre side af armen to eller tre gange mod uret. Drej sekskantboltene på højre side af armen to eller tre gange mod uret for at hælde savklingen mod venstre. (Fig. 53)

Sæt savklingens side i en retvinkel til overfladen af drejeskiven ved hjælp af trekantslineal, anslagsvinkel, etc. ved at dreje sekskantboltene på højre side af armen med uret. Drej nu sekskantboltene på venstre side af armen med uret så langt som den kan. Stram armen til. (Fig. 54)

Sørg for, at de to visere på armen peger hver til 0° på skalaen på armholderen. Hvis de ikke peger mod 0°, skal skrue, der holder viserne, løsnes og justeres så de peger mod 0°. (Fig. 55)

2) 45° skråvinkel (Fig. 56)

Juster kun 45° skråvinklen efter at have udført justeringen for 0° skråvinklen. Juster 45° skråvinklen ved at løsne håndtaget og hælde klingens helt til venstre. Sørg for, at viseren på håndtaget peger på 45° på skalaen på armholderen. Hvis viseren ikke peger på 45°, drejes den venstre 45° skråvinkeljusteringsbolt på siden af armholderen, indtil viseren peger på 45°. For at justere højre 45° skråvinkel, udføres samme procedure som den herover beskrevne.

Justering for lettere betjening ved skråsnit (Fig. 57)

Låsemotrikken, der holder armen og armholderen, er indstillet fra fabrikken til at sikre jævn betjening ved skråsnit og sikre snitpræcisionen. Forsøg ikke at ændre den. Hvis samlingen ved armen og armholderen bliver løs, skal motrikken strammes med en nøgle.

Indstilling af laserliniens position (Fig. 58 og 59)

Gælder kun model LS1013L, LS1013FL

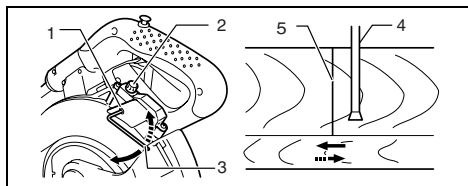
ADVARSEL:

- Da maskinen er i strømforbindelse, når positionen af laserlinien indstilles, skal der udvises den størst mulige forsigtighed, specielt ved anvendelse af afbryderen. Hvis afbryderen aktiveres ved et uheld, kan maskinen starte og operatøren kan komme til skade.

FORSIGTIG:

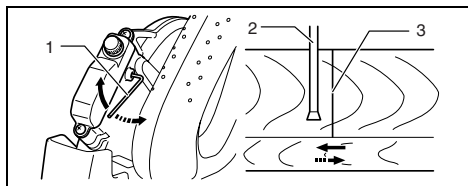
- Se aldrig direkte ind i laserstrålen. Direkte udsættelse for laserstråling er farligt for synet.
- Udsæt aldrig maskinen for stød eller fysiske påvirkninger. Dette kan bevirke, at laserliniens position bliver fejlagtig, at laserstrålens udsendingsdel beskadiges og at maskinens levetid afkortes.

Under indstilling vil laserlinien ses på venstre side af savklingen



- 1 Skruer til ændring af justeringsskruens flytbare område
- 2 Justeringsskruer
- 3 Sekskantnøgle
- 4 Laserlinie
- 5 Savklinge

Under indstilling vil laserlinien ses på højre side af savklingen



- 1 Skruer til ændring af justeringsskruens flytbare område
- 2 Savklinge
- 3 Laserlinie

Udfør følgende for begge indstillinger:

1. Kontroller, at maskinen er taget ud af forbindelse.
2. Lav skærelinien på arbejdsstykket og læg det på drejeskiven. På dette tidspunkt må arbejdsstykket ikke fastspændes med en skruestik eller en lignende fastspændingsanordning.
3. Sænk savklingen ved at sænke håndtaget og kontroller, hvor skærelinien og savklingsens position er. (Bestem, hvilken position der skal skæres i på skærelinien).
4. Når De har bestemt den position, der skal skæres, sættes håndtaget tilbage til udgangsstillingen. Fastspænd arbejdsstykket med den lodrette skruestik uden af flytte arbejdsstykket fra den forhåndskontrolerede position.
5. Tilslut maskinen og aktiver laserknappen.
6. Indstil laserliniens position som vist herunder.

Laserliniens position kan ændres i takt med at de bevægelige område for justeringsskruen for laseren ændres ved at man drejer to skruer med sekskantbolten. (Det bevægelige område for laserlinien er fabriksindstillet indenfor 1 mm fra savklingsens side).

For at flytte laserliniens bevægelige område længere væk fra savklingsens side, skal De dreje de to skruer i retningen mod uret, når justeringsskruen er løst. Drej disse to skruer i retningen med uret for at føre den nærmere savklingsens side, når justeringsskruerne er løst. Se afsnittet med titlen "Anvendelse af laserstråler" og indstil justeringsskruen således, at skærelinien på arbejdsstykket flugter med laserlinien.

BEMÆRK:

- Kontroller med jævne mellemrum, om positionen af laserlinien er præcis.
- Få maskinen repareret hos et servicecenter, der er autoriseret af Makita, hvis laserdelen ikke fungerer.

Rengøring af linsen til laserlyset (Fig. 60 og 61)

Gælder kun model LS1013L, LS1013FL

Hvis linsen til laserlyset er blevet snavset, eller hvis savsmuld har sat sig fast på den på en sådan måde, at laserlinien ikke længere er synlig, skal De tage maskinen ud af forbindelse og rengøre laserlyset omhyggeligt med en blød, fugtig klud. Der må ikke anvendes opløsningsmidler eller petroleumsbaserede rengøringsmidler til rengøring af linsen.

Linsen til laserlyset fjernes ved at man afmonterer savklingen, inden linsen fjernes, i overensstemmelse med anvisningerne i afsnittet med titlen "Montering og afmontering af savklingen".

Løsn, men fjern ikke skruen, der holder linsen, ved hjælp af en skruetrækker.

Træk linsen ud som vist på illustrationen.

BEMÆRK:

- Hvis linsen ikke kommer ud, skal De løse skruen yderligere og trække linsen ud igen uden at fjerne skruen.

Udskiftning af lysstofrør (Fig. 62)

Gælder kun model LS1013F, LS1013FL

FORSIGTIG:

- Kontrollér altid, at maskinen er slået fra, og at netstikket er trukket ud, før der foretages udskiftning af lysstofrøret.
- Brug ikke magt, og stød eller rids ikke et lysstofrør, da det kan få glasset til at gå i stykker, hvilket kan volde skade på Dem selv eller omkringstående.

- Lad lysstofrøret køle lidt af, før det udskiftes. Ellers kan De komme til at brænde Dem selv.

Fjern skruerne, der holder lampeboksen. Træk lampeboksen ud, idet De trykker let på den øvre position som illustreret til i **Fig. 62**.

Træk lysstofrøret ud, og udskift det med et nyt, originalt Makita lysstofrør.

Udskiftning af kulbørsterne (Fig. 63 og 64)

Tag kulbørsterne ud og efter dem periodisk. Kullene skal udskiftes, når de er slidt ned til slidgrænsen. Hold kulbørsterne rene, så de altid passer ind i hullerne. Begge kulbørster bør udskiftes parvis og samtidigt. Anvend kun identiske kulbørster.

Benyt en skruetrækker til at fjerne kuldækslerne. Tag de slidte kulbørster ud, sæt de nye i, og fastgør kuldækslerne.

Efter anvendelse

- Efter anvendelse aftørres spåner eller støv, der måtte klæbe til maskinen, med en klud eller lignende. Hold beskyttelsesskærmen ren som beskrevet i afsnittet "Beskyttelsesskærm". Smør de glidende dele på maskinen med olie for at forhindre rustdannelse.
- Når maskinen skal opbevares, skal slæden trækkes helt mod Dem selv, så tappene bliver sat helt ind i drejeskiven.

For at opretholde produktets sikkerhed og pålidelighed, må istandsættelse, vedligeholdelse eller justering kun udføres af et autoriseret Makita service center med anvendelse af Makita reservedele.

TILBEHØR

FORSIGTIG:

- Dette udstyr og tilbehør bør anvendes sammen med Deres Makita maskine, sådan som det er beskrevet i denne brugsanvisning. Anvendelse af andet udstyr eller tilbehør kan udgøre en risiko for personskade. Tilbehøret bør kun anvendes til det, det er beregnet til.

Hvis De behøver hjælp ved valg af tilbehør eller ønsker yderligere informationer, bedes De kontakte Deres lokale Makita service center.

- Savklinger med stål- og hårdmetalplatte
- Støvpøse
- Hjælpeanslag R
- Vinkel
- Skruestik (vandret skruestik)
- Trekantet lineal
- Lodret skruestik
- Aflåseknap (2 stk.)
- Topnøgle 13
- Indlægsblok
- Holder
- Lysstofrør (til LS1013F/LS1013FL)
- Sekskantnøgle (til LS1013L/LS1013FL)

Περιγραφή γενικής άποψης

1 Πείρος αναστολής	34 Βέλος	65 Τριγωνικός κανόνας
2 Μπουλόνι	35 Ασφάλιση άξονα	66 Βίδα
3 Προφυλακτήρας λάμας	36 Εσωτερική φλάντζα	67 Κλίμακα δίσκου
4 Κομβίο	37 Αξόνιο	68 Δείκτης
5 Πλάκα εγκοπής	38 Δακτύλιος	69 Κλίμακα λοξής γωνίας
6 Λάμα πριονιού	39 Εξωτερική φλάντζα	70 Δείκτης
7 Δόντια λάμας	40 Εξαγ. Μπουλόνι	71 Συγκρατητής βραχίονα
8 Αριστερή κωνική κοπή	(αριστερόστροφο)	72 Μπουλόνι ρύθμισης δεξιάς κωνικής γωνίας 45°
9 Ευθύγραμμο κόψιμο	41 Στόμιο σκόνης	73 Μπουλόνι ρύθμισης αριστερής κωνικής γωνίας 45°
10 Δεξιά κωνική κοπή	42 Σάκος σκόνης	74 Εξαγ. παξιμάδι ασφαλείας
11 Μπουλόνι ρύθμισης	43 Συνδετήρας	75 Μπλοκ κεφαλής
12 Περιστροφική βάση	44 Υποστήριγμα	76 Τεμάχιο εργασίας
13 Ανω επιφάνεια περιστροφικής βάσης	45 Περιστροφική βάση	77 Γραμμή κοπής
14 Περιφέρεια λάμας	46 Υπο-φράκτης	78 Κατακόρυφη μέγγεννη
15 Φράκτης οδηγός	47 Υπο-φράκτης R	79 Κατσαβίδι
16 Βίδα ρύθμισης	48 Βίδες	80 Βίδα (μόνο μία)
17 Βραχίονας αναστολής	49 Βραχίονας μέγγεννης	81 Φακοί για την λάμα λείζερ
18 Μοχλός ασφάλισης	50 Ράβδος μέγγεννης	82 Σημάδι ορίου
19 Λαβή	51 Βίδα	83 Καπάκι θήκης ψήκτρας
20 Δείκτης	52 Κομπι μέγγεννης	84 Φως
21 Λοξή κλίμακα	53 Οδηγός φράκτης	85 Διακόπτης φωτός
22 Μοχλός	54 Πλάκα μέγγεννης	86 Τραβήχτε προς τα έξω
23 Βραχίονας	55 Παξιμάδι μέγγεννης	87 Σπρώχτε
24 Κωνική κλίμακα	56 Θήκη	88 Κουτί λάμας
25 Κομπι απασφάλισης	57 Κομβίο	89 Βίδες
26 Σκανδάλη διακόπτης	58 Μέγγεννη	90 Σωλήνας φθορισμού
27 Χειρολαβή	59 Τάκος στήριξης	91 Κουτί σκόνης
28 Διακόπτης για λείζερ	60 Εκβολή αλουμινίου	92 Κάλυμμα
29 Κοίλο κλειδί	61 Διαχωριστικό τεμάχιο	93 Κομπι
30 Θήκη κλειδιού	62 Οριζόντια μέγγεννη (προαιρετικό εξάρτημα)	94 Τμήμα κυλινδρού
31 Κεντρικό κάλυμμα	63 Κόψιμο αυλακώσεων με τη λάμα	95 Πριονόσκονη
32 Εξάγωνο μπουλόνι	64 Εξάγωνο μπουλόνι	
33 Θήκη λάμας		

ΠΡΟΔΙΑΓΡΑΦΕΣ

Μοντέλο

LS1013/LS1013F/LS1013L/LS1013FL

Διάμετρος λάμας..... 250 – 260 χιλ.

Διάμετρος τρύπας

Για όλες τις χώρες εκτός από τις Ευρωπαϊκές χώρες 25,4 χιλ. και 25 χιλ.

Για τις Ευρωπαϊκές χώρες 30 χιλ.

Μέγ. ικανότητες κοπής (Υ x Π) με λάμα διαμέτρου 260 χιλ.

Γωνία δίσκου	Λοξή γωνία		
	45° (αριστερά)	0°	45° (δεξιά)
0°	50 χιλ. x 310 χιλ.	91 χιλ. x 310 χιλ.	31 χιλ. x 310 χιλ.
45° (αριστερά και δεξιά)	(αριστερά) 50 χιλ. x 200 χιλ. (δεξιά) 50 χιλ. x 220 χιλ.	91 χιλ. x 220 χιλ.	31 χιλ. x 220 χιλ.
52° (δεξιά)	—	91 χιλ. x 190 χιλ.	—

Ταχύτητα χωρίς φορτίο (λεπ⁻¹)..... 3.700

Τύπος λείζερ (Μόνο για LS1013L/LS1013FL)..... Κόκκινο λάιζερ 650 nm, <1mW (Τάξη Laser 2)

Διαστάσεις (Μ x Π x Υ)


LS1013/LS1013F..... 715 χιλ. x 520 χιλ. x 625 χιλ.

LS1013L/LS1013FL..... 715 χιλ. x 520 χιλ. x 640 χιλ.

Βάρος καθαρό

LS1013/LS1013F..... 21 Χγρ

LS1013L/LS1013FL..... 22 Χγρ

Κατηγορία ασφαλείας  II

- Λόγω του συνεχιζόμενου προγράμματός έρευνας και ανάπτυξης, οι προδιαγραφές αυτές υπόκεινται σε αλλαγές χωρίς προειδοποίηση.
- Σημείωση: Οι προδιαγραφές μπορεί να διαφέρουν από χώρα σε χώρα.

Προοριζόμενη χρήση

Το εργαλείο προορίζεται για ευθείες και λοξές κοπές ακριβείας σε ξύλο. Με τις κατάλληλες λάμες πριονιού, μπορεί επίσης να κόψει αλουμίνιο.

Παροχή ρεύματος

Το εργαλείο πρέπει να συνδεθεί σε παροχή ρεύματος ίδιας τάσης με αυτή που αναγράφεται στην πινακίδα του και μπορεί μόνο να λειτουργήσει με μονοφασικό εναλλασσόμενο ρεύμα. Έχει διπλή μόνωση σύμφωνα με τα Ευρωπαϊκά Πρότυπα και έτσι μπορεί να χρησιμοποιηθεί σε ρευματοδότες χωρίς γείωση.

Υποδείξεις ασφάλειας

Για την προσωπική σας ασφάλεια, ανατρέξτε στις εσωκλειστές οδηγίες ασφάλειας.

ΠΡΟΣΘΕΤΟΙ ΚΑΝΟΝΕΣ ΑΣΦΑΛΕΙΑΣ ΓΙΑ ΤΟ ΕΡΓΑΛΕΙΟ

1. Φοράτε προστατευτικά οφθαλμών.
2. Κρατάτε τα χέρια μακριά από την τροχιά της λάμας πριονιού. Αποφύγετε επαφή και με λάμες μικρής ταχύτητας. Μπορεί επίσης να προκαλέσουν σοβαρό τραυματισμό.
3. Μη χειρίζεστε το εργαλείο χωρίς τους προφυλακτήρες στη θέση τους. Ελέγξτε τον προφυλακτήρα λάμας για κανονικό κλείσιμο πριν από κάθε χρήση. Μη λειτουργείτε το πριόνι εάν ο προφυλακτήρας λάμας δεν κινείται ελεύθερα και δεν κλείνει αμέσως. Ποτέ μη σφίξετε ή δέσετε τον προφυλακτήρα λάμας στη θέση ανοίγματος.
4. Μην εκτελείτε καμιά λειτουργία στο χέρι. Το αντικείμενο εργασίας πρέπει να είναι ασφαλισμένο σταθερά στην περιστροφική βάση και στον φράκτη οδηγό με την μέγιστη σε κάθε λειτουργία. Ποτέ μη χρησιμοποιείτε το χέρι σας για να ασφαλίσετε το αντικείμενο εργασίας.
5. Ποτέ μην αγγίζετε τη λάμα πριονιού.
6. Σταματείστε το εργαλείο και περιμένετε για τη λάμα πριονιού να σταματήσει πριν μετακινήσετε το αντικείμενο εργασίας ή αλλάξετε τις ρυθμίσεις.
7. Αποσυνδέστε το εργαλείο πριν αλλάξετε λάμα ή κάνετε συντήρηση.
8. Πάντοτε ασφαλίστε όλα τα κινούμενα τμήματα πριν μεταφέρετε το εργαλείο.
9. Ο πείρος αναστολής που κλειδώνει την κεφαλή του κόπτη κάτω είναι μόνο για τον σκοπό μεταφοράς και αποθήκευσης και όχι για λειτουργίες κοπής.
10. Μη χρησιμοποιείτε το εργαλείο όταν υπάρχουν κοντά εύφλεκτα υγρά ή αέρια.
11. Ελέγχετε την λάμα προσεκτικά για ρωγμές ή ζημιές πριν την λειτουργία. Αντικαταστήστε αμέσως μια λάμα με ρωγμές ή ζημιές.
12. Χρησιμοποιείτε μόνο τις ειδικές φλάντζες για το εργαλείο αυτό.
13. Προσέξτε να μη κάνετε ζημιά στην άτρακτο, φλάντζες (ειδικά στην επιφάνεια εγκατάστασης) ή στο μπουλόνι.

14. Βεβαιώστε ότι η περιστροφική βάση είναι κατάλληλα ασφαλισμένη, ώστε να μη μετακινηθεί κατά την λειτουργία.
15. Για την ασφάλειά σας, αφαιρέστε τα αποκοπείδια, μικρά τεμάχια, κλπ. από το τραπέζι πριν την λειτουργία.
16. Αποφύγετε την κοπή καρφιών. Ελέγξτε και αφαιρέστε όλα τα καρφιά από το αντικείμενο εργασίας πριν την λειτουργία.
17. Βεβαιώστε ότι ο άξονας ασφάλισης είναι ελεύθερος πριν ενεργοποιήσετε τον διακόπτη.
18. Βεβαιώστε όση η λάμα δεν αγγίζει την περιστροφική βάση στην κατώτατη θέση.
19. Κρατάτε σταθερά τη λαβή. Έχετε υπόψη σας ότι το πριόνι κινείται πάνω και κάτω ελαφρά κατά το ξεκίνημα και το σταμάτημα.
20. Βεβαιώστε ότι η λάμα δεν αγγίζει το αντικείμενο εργασίας πριν την ενεργοποίηση του διακόπτη.
21. Πριν χρησιμοποιήσετε το εργαλείο στο πραγματικό αντικείμενο εργασίας, αφήστε το να τρέξει για λίγο. Παρακολουθείστε το για κραδασμούς ή ταλαντεύσεις που μπορεί να δείχνουν κακή εγκατάσταση ή κακή ισοζύγηση λάμας.
22. Περιστέτε μέχρι η λάμα να αποκτήσει πλήρη ταχύτητα πριν αρχίσετε να κόβετε.
23. Σταματήστε αμέσως την λειτουργία εάν παρατηρήσετε κάτι αφύσικο.
24. Μη προσπαθήσετε να κλειδώσετε την σκανδάλη στη θέση ON.
25. Να είστε πάντοτε σε κατάσταση ετοιμότητας, ιδιαίτερα όταν κάνετε επαναληπτικές και μονότονες εργασίες. Μην ξεγελαστείτε ποτέ ότι βρήκατε σε κατάσταση ασφάλειας. Οι λάμες είναι υπερβολικά αδυσώπητες.
26. Πάντοτε χρησιμοποιείτε τα ανταλλακτικά που συστώνται στο εργαλείο αυτό. Χρήση ακατάλληλων ανταλλακτικών όπως λιπαντικών τροχών μπορεί να προκαλέσουν τραυματισμό.
27. Μη χρησιμοποιείτε το πριόνι για να κόψετε οτιδήποτε άλλο εκτός από αλουμίνιο, ξύλο ή παρόμοια υλικά.
28. Συνδέστε το πριόνι λοξότμησης σε μιά συσκευή συλλογής σκόνης όταν πριονίζετε.
29. Επιλέγτε τις λάμες πριονιού ανάλογα με το υλικό που πρόκειται να κοπεί.
30. Προσέχετε όταν κάνετε εγκοπές.
31. Αντικαταστήστε την πλάκα εγκοπής όταν παρουσιάσει φθορά.
32. Μη χρησιμοποιείτε λάμες πριονιού κατασκευασμένες από ατσάλι υψηλής ταχύτητας.
33. Σκόνη προερχόμενη από την λειτουργία περιέχει χημικά τα οποία είναι γνωστά καρκινογόνα, προκαλούν γεννητικές δυσμορφίες ή άλλη αναπαραγωγική ζημιά. Μερικά παραδείγματα των χημικών αυτών είναι:
 - μόλυβδος από υλικά χρωματισμένα με ουσίες με βάση τον μόλυβδο
 - αρσενικό και χρώμιο από χημικός επεξεργασμένη ξυλεία.

Ο κίνδυνος από την έκθεση στις ουσίες αυτές διαφέρει, εξαρτώμενος από πόσο συχνά κάνετε το είδος αυτό της εργασίας. Για να μειώσετε την έκθεσή σας στα χημικά αυτά: εργάζεστε σε μία πολύ καλά αεριζόμενη αίθουσα και εργάζεστε με χρησιμοποίηση εγκεκριμένων εφοδίων ασφάλειας όπως π.χ. με εκκείνες τις μάσκες σκόνης που είναι ειδικά σχεδιασμένες να συγκρατούν μικροσκοπικά σωματίδια.

34. Για την μείωση του προκαλούμενου θορύβου, πάντοτε σιγουρεύεστε ότι η λεπίδα είναι ακονισμένη και καθαρή.
35. Ο χρήστης είναι επαρκώς εκπαιδευμένος στην χρήση, ρύθμιση και λειτουργία του εργαλείου.
36. Χρησιμοποιείτε σωστά ακονισμένες λεπίδες πριονιού. Τηρείτε την μέγιστη ταχύτητα που είναι σημειωμένη στην λεπίδα πριονιού.
37. Μην αφαιρείτε αποκόμματα ή άλλα μέρη του αντικειμένου εργασίας από την περιοχή κοπής ενώ το εργαλείο λειτουργεί και η κεφαλή του πριονιού δεν βρίσκεται στην θέση ακινητοποίησης.

ΦΥΛΑΞΤΕ ΤΙΣ ΟΔΗΓΙΕΣ ΑΥΤΕΣ

ΕΓΚΑΤΑΣΤΑΣΗ

Τοποθέτηση σε πάγκο

Όταν το εργαλείο μεταφέρεται, η λαβή κλειδώνεται στην χαμηλωμένη θέση από τον πεύρο αναστολής. Ελευθερώστε τον πεύρο αναστολής χαμηλώνοντας ελαφρά τη λαβή και τραβώντας τον πεύρο αναστολής. **(Εικ. 1)**

Αυτό το εργαλείο πρέπει να στερεώνεται με τέσσερα μπουλόνια σε μία επίπεδη και σταθερή επιφάνεια χρησιμοποιώντας τις τρύπες μπουλονιών που είναι στη βάση του εργαλείου. Αυτό βοηθάει στην αποφυγή ανατροπής και πιθανού τραυματισμού. **(Εικ. 2)**

ΛΕΙΤΟΥΡΓΙΚΗ ΠΕΡΙΓΡΑΦΗ

ΠΡΟΣΟΧΗ:

- Πάντοτε βεβαιώνετε ότι το εργαλείο είναι σθηστό και αποσυνδεδεμένο από το ρεύμα πριν ρυθμίσετε ή ελέγξετε κάποια λειτουργία στο εργαλείο.

Προφυλακτήρας λάμας (Εικ. 3 και 4)

Όταν χαμηλώνετε την λαβή, ο προφυλακτήρας λάμας ανυψώνεται αυτόματα.

Ο Προφυλακτήρας λάμας επιστρέφει στην αρχική του θέση όταν η κοπή έχει συμπληρωθεί και η λαβή έχει σηκωθεί. ΠΟΤΕ ΜΗΝ ΕΞΟΥΔΕΤΕΡΩΣΕΤΕ Η ΑΦΑΙΡΕΣΕΤΕ ΤΟΝ ΠΡΟΦΥΛΑΚΤΗΡΑ Η ΤΟ ΕΛΑΤΗΡΙΟ ΠΟΥ ΠΡΟΣΑΡΜΟΖΕΤΑΙ ΣΤΟΝ ΠΡΟΦΥΛΑΚΤΗΡΑ.

Γιά χάρι της προσωπικής σας ασφάλειας, πάντοτε διατηρείτε τον προφυλακτήρα λάμας σε καλή κατάσταση. Οποιαδήποτε ανώμαλη λειτουργία του προφυλακτήρα λάμας πρέπει να διορθώνεται αμέσως. ΠΟΤΕ ΜΗ ΧΡΗΣΙΜΟΠΟΙΕΙΤΕ ΤΟ ΕΡΓΑΛΕΙΟ ΕΑΝ Ο ΠΡΟΦΥΛΑΚΤΗΡΑΣ ΛΑΜΑΣ Η ΤΟ ΕΛΑΤΗΡΙΟ ΕΧΟΥΝ ΠΑΘΕΙ ΖΗΜΙΑ, ΒΛΑΒΗ Η ΕΧΟΥΝ ΑΦΑΙΡΕΘΕΙ. ΕΑΝ ΤΟ ΚΑΝΕΤΕ ΕΙΝΑΙ ΠΟΛΥ ΕΠΙΚΙΝΔΥΝΟ ΚΑΙ ΜΠΟΡΕΙ ΝΑ ΠΡΟΚΑΛΕΣΕΙ ΣΟΒΑΡΟ ΠΡΟΣΩΠΙΚΟ ΤΡΑΥΜΑΤΙΣΜΟ.

Εάν το διαφανές προφυλακτικό λάμας λερωθεί, ή πριονόσκονη κολλήσει επάνω του με τέτοιο τρόπο έτσι ώστε η λάμα και/ή το αντικείμενο εργασίας δεν είναι ορατά, αποσυνδέστε το πριόνι και καθαρίστε το προφυλακτικό προσεκτικά με ένα νωπό ύφασμα. Μην χρησιμοποιείτε διαλύτες ή καθαριστικά που έχουν βάση το πετρέλαιο επάνω στο πλαστικό του προφυλακτήρα.

Εάν ο προφυλακτήρας λάμας έχει ρυπανθεί σημαντικά και έχει καταστεί αδιαφανής, χρησιμοποιείτε το παρεχόμενο κοίλο κλειδί για να χαλαρώσετε το εξάγωνο μπουλόνι που συγκρατεί το κεντρικό κάλυμμα.

Χαλαρώστε το εξάγωνο μπουλόνι γυρίζοντας το αριστερόστροφα και ανυψώστε τον προφυλακτήρα λάμας και το κεντρικό κάλυμμα. Με τον προφυλακτήρα λάμας στη θέση αυτή, το καθαρίσμα μπορεί να γίνει καλύτερα και πληρέστερα. Όταν το καθαρίσμα ολοκληρωθεί ακολουθείστε αντίστροφη πορεία και ασφαλίστε το μπουλόνι. Μην αφαιρέσετε το ελατήριο κρατήματος του προφυλακτήρα λάμας. Εάν ο προφυλακτήρας αποχρωματιστεί από τα χρόνια ή την υπερϊώδη ακτινοβολία, αποτανθείτε σε ένα κέντρο εξυπηρέτησης Μάκίτα για ένα νέο προφυλακτήρα. ΜΗΝ ΕΞΟΥΔΕΤΕΡΩΣΕΤΕ Η ΑΦΑΙΡΕΣΕΤΕ ΤΟΝ ΠΡΟΦΥΛΑΚΤΗΡΑ.

Τοποθέτηση της σανίδας εγκοπής (Εικ. 5 και 6)

Αυτό το εργαλείο είναι εφωδιασμένο με τις σανίδες εγκοπών στην περιστροφική βάση του για να ελαχιστοποιεί το σχίσμο στην πλευρά εξόδου κοπής. Οι σανίδες εγκοπών είναι εργοστασιακά ρυθμιζόμενες έτσι ώστε η λάμα πριονιού δεν τις αγγίζει. Πριν από την χρήση, ρυθμίστε τις σανίδες εγκοπών ως εξής:

Πρώτα, αποσυνδέστε το εργαλείο από το ρεύμα. Χαλαρώστε όλες τις βίδες (από 2 στα αριστερά και δεξιά) που ασφαλίζουν τις σανίδες εγκοπών. Ξανασφίχτε τις σε σημείο που να μπορούν να μετακινούνται εύκολα με το χέρι. Χαμηλώστε την λαβή πλήρως και σπρώχτε μέσα τον πεύρο αναστολής να κλειδώσει την λαβή στην χαμηλωμένη θέση. Χαλαρώστε το κουμπί που ασφαλίζει τους στύλους ολίσθησης. Τραβήχτε την κινητή βάση προς το μέρος σας εντελώς. Ρυθμίστε τις σανίδες εγκοπών έτσι ώστε οι σανίδες μόλις αγγίζουν τις πλευρές των δοντιών των λαμών. Σφίχτε τις εμπρόσθιες βίδες (όχι σφιχτά). Σπρώχτε την κινητή βάση προς τον φράχτη οδηγό εντελώς και ρυθμίστε τις σανίδες εγκοπών έτσι ώστε οι σανίδες μόλις αγγίζουν τις πλευρές των δοντιών των λαμών. Σφίχτε τις οπίσθιες βίδες (όχι σφιχτά). Αφού ρυθμίσετε τις σανίδες εγκοπών, αφήστε τον πεύρο αναστολής και σηκώστε την λαβή. Μετά σφίχτε όλες τις λαβές με ασφάλεια.

ΠΡΟΣΟΧΗ:

- Πριν και αφού αλλάξετε την κωνική γωνία, πάντοτε ρυθμίζετε τις σανίδες εγκοπών όπως περιγράφεται παραπάνω.

Διατήρηση της μέγιστης ικανότητας κοπής (Εικ. 7 και 8)

Αποσυνδέστε το μηχάνημα πριν επιχειρήσετε οποιαδήποτε ρύθμιση. Το μηχάνημα είναι ρυθμισμένο από το εργοστάσιο να παρέχει τη μέγιστη απόδοση κοπής για μια πριονωτή λάμα 255 χιλ.

Όταν εγκαθιστάτε μια νέα λάμα, πάντοτε ελέγχετε την θέση του χαμηλότερου ορίου της λάμας και εάν είναι απαραίτητο, ρυθμίστε τη ως εξής:

Πρώτα αποσυνδέστε το εργαλείο. Σπρώξτε τη κινητή βάση πλήρως προς το οδηγό φράκτη και χαμηλώστε τη χειρολαβή εντελώς. Χρησιμοποιείστε το κοίλο κλειδί για να γυρίσετε το μπουλόνι ρύθμισης μέχρι η περιφέρεια της λάμας να εκτείνεται ελαφρά κάτω από την άνω επιφάνεια της περιστροφικής βάσης στο σημείο όπου το εμπρόσθιο πρόσωπο του φράκτη οδηγού συναντάει την άνω επιφάνεια της περιστροφικής βάσης.

Με το εργαλείο αποσυνδεδεμένο, περιστρέψτε τη λάμα με το χέρι ενώ κρατάτε την λαβή εντελώς κάτω σιγουρεύοντας ότι η λάμα δεν κάνει επαφή με κανένα μέρος της χαμηλότερης βάσης. Επαναρυθμίστε ελαφρά, αν είναι απαραίτητο.

ΠΡΟΣΟΧΗ:

- Αφού εγκαταστήσετε μία νέα λάμα, πάντοτε βεβαιώνετε ότι η λάμα δεν κάνει επαφή με κανένα μέρος της χαμηλότερης βάσης όταν η λαβή είναι χαμηλωμένη εντελώς. Πάντοτε κάνετε το αυτό με το εργαλείο αποσυνδεδεμένο.

Βραχίονας αναστολής (Εικ. 9)

Η χαμηλή οριακή θέση της λάμας μπορεί να ρυθμιστεί εύκολα με τον βραχίονα αναστολής. Για να ρυθμίσετε, περιστρέψτε τον βραχίονα αναστολής κατά την διεύθυνση του βέλους όπως φαίνεται στην εικόνα. Ρυθμίστε την βίδα ρύθμισης έτσι ώστε η λάμα σταματά στην επιθυμητή θέση όταν η λαβή χαμηλώνεται πλήρως.

Ρύθμιση της λοξής γωνίας (Εικ. 10)

Χαλαρώστε την λαβή γυρίζοντας την αριστερόστροφα. Γυρίστε την περιστροφική βάση ενώ πιέζετε κάτω τον μοχλό ασφάλισης. Όταν έχετε μετακινήσει την λαβή στη θέση όπου ο δείκτης δείχνει την επιθυμητή γωνία στην λοξή κλίμακα σφίχτε την λαβή με ασφάλεια δεξιόστροφα.

ΠΡΟΣΟΧΗ:

- Όταν γυρίζετε την περιστροφική βάση, βεβαιώνετε ότι ανυψώνετε την λαβή εντελώς.
- Αφού αλλάξετε την λοξή γωνία, πάντοτε ασφαλίστε την περιστροφική βάση σφίγγοντας την λαβή σταθερά.

Ρύθμιση της κωνικής γωνίας (Εικ. 11 και 12)

Για να ρυθμίσετε την κωνική γωνία, χαλαρώστε τον μοχλό στο πίσω μέρος του εργαλείου αριστερόστροφα. Ξεκλειδώστε τον βραχίονα σπρώχνοντας την λαβή μάλλον σταθερά κατά την διεύθυνση που επιθυμείτε να γείρετε την λάμα πριονιού.

Γείρετε την λάμα μέχρι ο δείκτης να δείχνει στην επιθυμητή γωνία στην κωνική κλίμακα. Μετά σφίχτε τον μοχλό σταθερά δεξιόστροφα να ασφαλίσετε τον βραχίονα.

ΠΡΟΣΟΧΗ:

- Όταν δίνετε κλίση στην λάμα πριονιού, βεβαιώνετε ότι ανυψώνετε την λαβή εντελώς.
- Αφού αλλάξετε την κωνική γωνία, πάντοτε ασφαλίστε τν βραχίονα σφίγγοντας τον μοχλό δεξιόστροφα.
- Όταν αλλάξετε κωνικές γωνίες, βεβαιώνετε ότι τοποθετείτε τις σανίδες εγκοπών κατάλληλα όπως εξηγείται στο τμήμα “Τοποθέτηση της σανίδας εγκοπής”.

Λειτουργία διακόπτη

ΠΡΟΣΟΧΗ:

- Πριν συνδέσετε το εργαλείο στο ρεύμα, πάντοτε ελέγχετε να δείτε ότι η σκανδάλη διακόπτης ενεργοποιείται κανονικά και επιστρέφει στην θέση “OFF” όταν ελευθερώνεται.
- Όταν δεν χρησιμοποιείτε το εργαλείο, αφαιρέστε το κουμπί ασφάλισης και αποθηκεύστε το σε μία ασφαλή θέση. Αυτό εμποδίζει την ανεύθυνη χρήση του.
- Μη τραβάτε την σκανδάλη διακόπτη δυνατά χωρίς να πατήσετε μέσα το κουμπί ασφάλισης. Αυτό μπορεί να προκαλέσει βλάβη του διακόπτη.

Για Ευρωπαϊκές χώρες (Εικ. 13)

Για να εμποδιστεί το τυχαίο τράβηγμα της σκανδάλης διακόπτη, ένα κουμπί ασφάλισης έχει προβλεφθεί. Για να ξεκινήσετε το μηχάνημα, σπρώξτε το μοχλό προς τα αριστερά, πατήστε προς τα μέσα το κουμπί ασφάλισης και τραβήξτε τη σκανδάλη. Ελευθερώστε τη σκανδάλη διακόπτη να σταματήσει.

Για όλες τις χώρες εκτός των Ευρωπαϊκών χωρών (Εικ. 14)

Για να εμποδιστεί το τυχαίο τράβηγμα της σκανδάλης διακόπτη, ένα κουμπί ασφάλισης έχει προβλεφθεί. Για να ξεκινήσετε το εργαλείο, πατήστε το κουμπί ασφάλισης και τραβήχτε την σκανδάλη διακόπτη. Ελευθερώστε τη σκανδάλη διακόπτη να σταματήσει.

ΠΡΟΕΙΔΟΠΟΙΗΣΗ:

- ΠΟΤΕ μη χρησιμοποιήσετε εργαλείο χωρίς πλήρως λειτουργική σκανδάλη διακόπτη. Οποιοδήποτε εργαλείο με μία μη λειτουργική σκανδάλη είναι ΠΟΛΥ ΕΠΙΚΙΝΔΥΝΟ και πρέπει να επισκευαστεί πριν από περαιτέρω χρήση.
- Για την ασφάλειά σας, αυτό το εργαλείο είναι εφωδιασμένο με ένα κουμπί ασφάλισης που εμποδίζει το εργαλείο να ξεκινήσει άσκοπα. ΠΟΤΕ μη χρησιμοποιείτε το εργαλείο εάν τρέχει όταν απλώς πατάτε την σκανδάλη χωρίς να πατήσετε το κουμπί ασφάλισης. Επιστρέψτε το εργαλείο σε ένα κέντρο εξυπηρέτησης Μάκita για κανονικές επισκευές ΠΡΙΝ περαιτέρω χρήση.
- ΠΟΤΕ να μην δένετε κάτω με ταινία ούτε να εξουδετερώνετε το σκοπό και την λειτουργία του κουμπιού ασφάλισης.

Αναμμα των λαμπών (Εικ. 15 και 16)

Μόνο για το μοντέλο LS1013F, LS1013FL

ΠΡΟΣΟΧΗ:

- Το φως αυτό δεν είναι αδιάβροχο. Μη πλύνετε το φως με νερό ούτε να το χρησιμοποιήσετε στη βροχή ή σε υγρή τοποθεσία. Τέτοια χρήση μπορεί να προκαλέσει ηλεκτροπληξία και καπνό.
- Μην αγγίζετε τους φακούς του φωτός, γιατί είναι πολύ θερμό όταν είναι αναμμένο ή αμέσως αφού έχει σβήσει. Αυτό μπορεί να προκαλέσει έγκαυμα στο ανθρώπινο σώμα.
- Μη χτυπήσετε το φως γιατί μπορεί να προκληθεί ζημιά ή μικρότερη διάρκεια ζωής.
- Μη ρίχνετε την ακτίνα φωτός στα μάτια σας. Μπορεί να προκληθεί πόνος στα μάτια.
- Μη καλύπτετε το φως με ρούχα, κουτιά, χαρτόνια ή παρόμοια υλικά ενώ είναι αναμμένο, γιατί μπορεί να προκαλέσει φωτιά ή ανάφλεξη.

Σπρώχτε την άνω θέση του διακόπτη για να ανάψετε το φως και την κάτω θέση για να το σβήσετε.

Μετακινείστε το φως για να φωτίσετε άλλη περιοχή.

ΣΗΜΕΙΩΣΗ:

- Χρησιμοποιείστε ένα στεγνό πανί για να σφουγγίσετε τους ρύπους από τους φακούς της λάμπας. Προσέχετε να μην γρατσουνίσετε τους φακούς της λάμπας γιατί μπορεί να προκληθεί μείωση φωτισμού.

Μπλοκ κεφαλής (προαιρετικό εξάρτημα)

(Εικ. 17 και 18)

Προσοχή:

- Όταν χρησιμοποιείτε το μπλοκ εγκοπής, πάντοτε να κόβετε με την ίδια γωνία κεφαλής.
 - Όταν αλλάζετε την λοξή γωνία χρησιμοποιείστε άλλα μπλοκ εκοπών.
 - Όταν εκτελείτε κωνικές κοπές, ποτε μη χρησιμοποιείτε τα μπλοκ εγκοπών.
- Εάν δεν συμμορφωθείτε με τα παραπάνω μπορεί να έχει ως αποτέλεσμα να σπάσει το μπλοκ και να προκληθεί τραυματισμός στον χειριστή του μηχανήματος.

Όταν χρησιμοποιείτε το μπλοκ εγκοπής σε κοπή 90°, μπορείτε να καθαρίσετε από σκλήθρα την πλευρά του κομματιού εργασίας που βρίσκεται ο οδηγός-φραγής (το μήκος του κομματιού εργασίας είναι μέχρι 35χιλ). Εγκαταστήστε το μπλοκ εγκοπής στον οδηγό φραγής με δύο βίδες. (Ρυθμίστε τον οδηγό φραγής και το μπλοκ εγκοπής έτσι ώστε να έρχονται σε επαφή πρόσωπο με πρόσωπο. Έπειτα σφίξτε τις βίδες καλά.)

Ενέργεια γραμμής λείζερ

Μόνο για το μοντέλο LS1013L, LS1013FL

ΠΡΟΣΟΧΗ:

- Ποτέ μη κυττάτε μέσα στην ακτίνα λείζερ. Απευθείας κύτταγμα της ακτίνας λείζερ θα τραυματίσει τα μάτια σας.
- ΑΚΤΙΝΟΒΟΛΙΑ ΛΕΙΖΕΡ ΜΗ ΚΥΤΤΑΤΕ ΜΕΣΑ ΣΤΗΝ ΑΚΤΙΝΑ 'Η ΒΛΕΠΕΤΕ ΑΠΕΥΘΕΙΑΣ ΜΕ ΟΠΤΙΚΟ ΟΡΓΑΝΟ, ΠΡΟΪΟΝ ΛΕΙΖΕΡ ΤΑΞΕΩΣ 2M.

Για να ανάψετε την ακτίνα λείζερ, πατήστε την άνω θέση (I) του διακόπτη. Πατήστε την κάτω θέση (O) του διακόπτη για να την σβήσετε. (Εικ. 19)

Η γραμμή λείζερ μπορεί να μετακινηθεί είτε στην αριστερή είτε στην δεξιά πλευρά της λάμπας προνιού ρυθμίζοντας την ρυθμιστική βίδα ως εξής: (Εικ. 20)

1. Χαλαρώστε την ρυθμιστική βίδα γυρίζοντας την αριστερόστροφα.
2. Με την ρυθμιστική βίδα χαλαρωμένη, σύρτε την στα δεξιά ή αριστερά όσο βαθιά μπορεί να πάει.
3. Σφίξτε την ρυθμιστική βίδα σταθερά στην θέση όπου σταματά να ολισθαίνει.

Η γραμμή λείζερ είναι ρυθμισμένη από το εργοστάσιο να είναι τοποθετημένη σε 1 χιλ από την πλευρική επιφάνεια της λάμπας (θέση κοπής).

ΣΗΜΕΙΩΣΗ:

- Όταν η γραμμή λείζερ είναι θαμπή και σχεδόν ή εντελώς αόρατη λόγω του απευθείας ηλιακού φωτός σε παράθυρο εσωτερικού ή εξωτερικού χώρου εργασίας, μετακινήστε την θέση εργασίας σε μέρος που δεν υπόκειται στο απευθείας ηλιακό φως.

Ευθυγράμμιση της γραμμής λείζερ (Εικ. 21)

Η γραμμή λείζερ μπορεί να μετακινηθεί στην αριστερή ή στην δεξιά πλευρά της λάμπας σύμφωνα με τις εφαρμογές κοπής. Ανατρέξτε στις εξηγήσεις του εδαφίου με τίτλο "Ενέργεια της ακτίνας λείζερ" σχετικά με την μέθοδο μετακίνησης.

ΣΗΜΕΙΩΣΗ:

- Χρησιμοποιείστε επένδυση ξύλου στον φράκτη οδηγό όταν ευθυγραμμίζετε την γραμμή κοπής με την γραμμή λείζερ στην πλευρά του φράκτη οδηγού σε σύνθετες κοπές (κωνική γωνία 45 μοιρών και λοξή δεξιά γωνία 45 μοιρών).
- A) Όταν πετυχαίνετε σωστό μέγεθος στην αριστερή πλευρά του τεμαχίου εργασίας.
- Μετακινείστε την γραμμή λείζερ στα αριστερά της λάμπας.
- B) Όταν πετυχαίνετε σωστό μέγεθος στην δεξιά πλευρά του τεμαχίου εργασίας.
- Μετακινείστε την γραμμή λείζερ στα δεξιά της λάμπας.
- Ευθυγραμμίστε την γραμμή κοπής στο τεμάχιο εργασίας σας με την γραμμή λείζερ.

ΣΥΝΑΡΜΟΛΟΓΗΣΗ

ΠΡΟΣΟΧΗ:

- Πάντοτε βεβαιώνετε ότι το εργαλείο είναι σβηστό και αποσυνδεδεμένο από το ρεύμα πριν εκτελέσετε οποιαδήποτε εργασία στο εργαλείο.

Αποθήκευση κοίλου κλειδιού (Εικ. 22)

Το κοίλο κλειδί αποθηκεύεται όπως φαίνεται στην εικόνα. Όταν χρησιμοποιείτε το κοίλο κλειδί, τραβήχτε το έξω από τη θήκη του. Αφού χρησιμοποιήσετε το κοίλο κλειδί, επαναφέρετε το στη θήκη του.

Εγκατάσταση ή αφαίρεση της λάμας πριονιού

ΠΡΟΣΟΧΗ:

- Πάντοτε βεβαιώνετε ότι το εργαλείο είναι σβηστό και αποσυνδεδεμένο πριν εγκαταστήσετε ή αφαιρέσετε την λάμα.
- Χρησιμοποιείτε μόνο το κοίλο κλειδί της Μάκιτα που παρέχεται για εγκατάσταση και αφαίρεση της λάμας. Εάν το αμελήσετε μπορεί να έχει ως αποτέλεσμα το υπέρσφιξιμο ή ανεπαρκές σφίξιμο του εξάγωνου μπουλονιού. Αυτό μπορεί να προκαλέσει προσωπικό τραυματισμό.

Κλειδώστε την λαβή στην ανυψωμένη θέση σπρώχνοντας μέσα τον πείρο αναστολής. (Εικ. 23)

Για να αφαιρέσετε την λάμα, χρησιμοποιείτε το κοίλο κλειδί για να χαλαρώσετε το εξαγωνικό μπουλόνι κρατώντας το κεντρικό κάλυμμα και γυρίζοντάς το αριστερόστροφα. Σηκώστε τον προφυλακτήρα λάμας και το κεντρικό κάλυμμα. (Εικ. 24)

Πατήστε την ασφάλεια άξονα για να κλειδώσετε τον άξονα και χρησιμοποιείτε το κοίλο κλειδί για να χαλαρώσετε το εξάγωνο μπουλόνι δεξιόστροφα. Μετά αφαιρέστε το εξάγωνο μπουλόνι, εξωτερική φλάντζα και λάμα. (Εικ. 25)

Για να εγκαταστήσετε την λάμα, τοποθετήστε την προσεκτικά πάνω στον άξονα, επιβεβαιώνοντας ότι η διεύθυνση του βέλους στην επιφάνεια της λάμας συμφωνεί με την διεύθυνση του βέλους στη θήκη της λάμας. Εγκαταστήστε την εξωτερική φλάντζα και εξαγωνικό μπουλόνι, και μετά χρησιμοποιείτε το κοίλο κλειδί για να σφίξετε το εξάγωνο μπουλόνι (αριστερόστροφο) με ασφάλεια αριστερόστροφα ενώ πατάτε την ασφάλεια άξονα. (Εικ. 26)

Για όλες τις χώρες εκτός των Ευρωπαϊκών χωρών

ΠΡΟΣΟΧΗ:

- Ο μαύρος δακτύλιος 25 χιλ σε εξωτερική διάμετρο και ο ασημί δακτύλιος 25,4 χιλ σε εξωτερική διάμετρο είναι εργοστασιακά τοποθετημένοι όπως φαίνεται στην εικόνα. Όταν χρησιμοποιείτε μία λάμα με 25 χιλ διάμετρο τρύπας, αντικαταστήστε τον ασημί δακτύλιο με τον μαύρο. Πριν τοποθετήσετε την λάμα στον αξονίσκο, πάντοτε βεβαιώνετε ότι ο σωστός δακτύλιος για την τρύπα ατράκτου της λάμας που προτίθεστε να χρησιμοποιήσετε είναι τοποθετημένος μεταξύ εσωτερικής και εξωτερικής φλάντζας. (Εικ. 27)

Για τις χώρες της Ευρώπης

ΠΡΟΣΟΧΗ:

- Ο δακτύλιος 30 χιλ σε εξωτερική διάμετρο είναι εργοστασιακά τοποθετημένος μεταξύ εσωτερικής και εξωτερικής φλάντζας.

Εγκαταστήστε την εξωτερική φλάντζα και εξαγωνικό μπουλόνι, και μετά χρησιμοποιείτε το κοίλο κλειδί για να σφίξετε το εξάγωνο μπουλόνι με ασφάλεια αριστερόστροφα ενώ πατάτε την ασφάλεια άξονα.

Επαναφέρετε τον προφυλακτήρα λάμας και το κάλυμμα κέντρου στις αρχικές τους θέσεις. Μετά σφίχτε το εξάγωνο μπουλόνι δεξιόστροφα για να ασφαλίσετε το κάλυμμα κέντρου. Ελευθερώστε την λαβή από την υψωμένη θέση τραβώντας τον πείρο αναστολής. Χαμηλώστε την λαβή για να βεβαιωθείτε ότι ο προφυλακτήρας λάμας κινείται κανονικά. Βεβαιωθείτε ότι η ασφάλεια άξονα έχει ελευθερώσει τον αξονίσκο πριν κάνετε κοπή. (Εικ. 28)

Σάκος σκόνης (εξάρτημα) (Εικ. 29)

Η χρήση του σάκου σκόνης κάνει τις εργασίες κοπής καθαρές και την συλλογή της σκόνης εύκολη. Για να συνδέσετε τον σάκο σκόνης, βάλτε το στόμιο σκόνης μέσα στο σωλήνα εκροής στην θήκη της λάμας και προσαρμόστε την υποδοχή εισόδου του σάκου πάνω στο στόμιο σκόνης.

Όταν ο σάκος σκόνης είναι περίπου μισογεμάτος, αφαιρέστε τον σάκο σκόνης από το εργαλείο και τραβήχτε τον προσδετήρα έξω. Αδειάστε τον σάκο σκόνης από τα περιεχόμενά του, χτυπώντας τον ελαφρά έτσι ώστε να αφαιρέσετε τα σωματίδια που κολλάνε στο εσωτερικό και μπορεί να εμποδίζουν την επόμενη συλλογή.

ΣΗΜΕΙΩΣΗ:

- Εάν συνδέσετε μία ηλεκτρική σκούπα στο πριόνι σας, πιο επαρκείς και καθαρές εργασίες μπορεί να εκτελεστούν.

Κουτί σκόνης (εξάρτημα) (Εικ. 30, 31 και 32)

Βάλτε το κουτί σκόνης μέσα στο στόμιο σκόνης. Αδειάξτε το κουτί σκόνης όσο νωρίτερα είναι δυνατόν.

Για να αδειάσετε το κουτί σκόνης, ανοίχτε το κάλυμμα σπρώχνοντας το κουμπί και πετάχτε την πριονόσκονη. Επαναφέρετε το κάλυμμα στην αρχική του θέση και αυτό θα κλειδώσει. Το κουτί σκόνης μπορεί εύκολα να αφαιρεθεί τραβώντας το προς τα έξω ενώ το γυρίζετε κοντά στο στόμιο σκόνης στο εργαλείο.

ΣΗΜΕΙΩΣΗ:

- Εάν συνδέσετε έναν απορροφητήρα καθαρισμού Μάκιτα στο εργαλείο αυτό, θα μπορείτε να εκτελείτε αποδοτικότερες και καθαρότερες εργασίες.

ΠΡΟΣΟΧΗ:

- Αδειάστε το κουτί σκόνης πριν η στάθμη της πριονόσκονης που έχει συσσωρευθεί φθάσει στο τμήμα κυλίνδρου.

Ασφαλίζοντας το αντικείμενο εργασίας

ΠΡΟΕΙΔΟΠΟΙΗΣΗ:

- Είναι εξαιρετικά σοβαρό να ασφαλίσετε πάντοτε το αντικείμενο εργασίας κατάλληλα και σφικτά με την μέγγεννη. Αμέλεια να το κάνετε μπορεί να προκαλέσει ζημιά στο εργαλείο και/ή καταστροφή του αντικείμενου εργασίας. ΠΡΟΣΩΠΙΚΟΣ ΤΡΑΥΜΑΤΙΣΜΟΣ ΜΠΟΡΕΙ ΕΠΙΣΗΣ ΝΑ ΠΡΟΚΛΗΘΕΙ. Επίσης, μετά από μία εργασία κοπής, ΜΗ σηκώσετε την λάμα μέχρι η λάμα να σταματήσει τελειώς.

ΠΡΟΣΟΧΗ:

- Όταν κόβετε επιμήκη αντικείμενα, χρησιμοποιείτε υποστηρίγματα ισοψή της άνω επιφάνειας της περιστροφικής βάσης. Μη βασίζεστε αποκλειστικά στην κάθετη και/ή οριζόντια μέγγεννη για να ασφαλίσετε το αντικείμενο εργασίας. Λεπτά υλικά έχουν τάση να λυγίζουν. Υποστηρίξτε το αντικείμενο εργασίας καθόλο το μήκος του για να αποφύγετε τσίμπημα της λάμας και πιθανή ΟΠΙΣΘΟΔΡΟΜΗΣΗ. (Εικ. 33)

Υπο-φράκτης

Αυτό το εργαλείο είναι εφωδιασμένο με ένα υπο-φράκτη. Πρέπει να τοποθετείται όπως φαίνεται στην **Εικ. 34**.

Όμως, όταν εκτελείτε αριστερές κωνικές κοπές, βάλτε τον στην αριστερή θέση όπως φαίνεται στη **Εικ. 35**.

ΠΡΟΣΟΧΗ:

- Όταν εκτελείτε αριστερές κωνικές κοπές, γυρίστε τον φράκτη στην αριστερή θέση όπως φαίνεται στην **Εικ. 35**. Διαφορετικά, θα κάνει επαφή με την λάμα ή με τμήμα του εργαλείου, με αποτέλεσμα πρόκληση σοβαρού τραυματισμού στον χρήστη.

Υπο-φράκτης R (προαιρετικό εξάρτημα) (Εικ. 36)

Ο υπο-φράκτης R μπορεί να τοποθετηθεί στην δεξιά πλευρά του φράκτη οδηγού. Βάλτε τις ράβδους του υπο-φράκτη R μέσα στις τρύπες του φράκτη οδηγού. Σφίχτε τις βίδες που παρέχονται με τον υποφράκτη R για να ασφαλιστεί ο υποφράκτης R.

ΠΡΟΣΟΧΗ:

- Όταν εκτελείτε δεξιές κωνικές κοπές, ποτέ μη χρησιμοποιείτε τον υπο-φράκτη R. Θα κάνει επαφή με την λάμα ή κάποιο μέρος του εργαλείου, προκαλώντας σοβαρό τραυματισμό στον χειριστή.

Κατακόρυφη μέγγεννη (Εικ. 37)

Η κατακόρυφη μέγγεννη μπορεί να τοποθετηθεί σε δύο θέσεις είτε στην αριστερή είτε στην δεξιά πλευρά του φράκτη οδηγού ή της βάσης. Βάλτε την ράβδο μέγγεννης μέσα στην τρύπα στον φράκτη οδηγού και σφίχτε την βίδα στο πίσω μέρος του φράκτη οδηγού για να ασφαλίσετε την ράβδο μέγγεννης.

Τοποθετείστε τον βραχίονα της μέγγεννης σύμφωνα με το πάχος και το σχήμα του αντικείμενου εργασίας και ασφαλίστε τον βραχίονα της μέγγεννης σφίγγοντας την βίδα. Εάν η βίδα ασφάλειας του βραχίονα κάνει επαφή με τον φράκτη οδηγό, εγκαταστήστε την βίδα στην αντίθετη πλευρά του βραχίονα της μέγγεννης. Βεβαιωθείτε ότι κανένα τμήμα του εργαλείου δεν είναι σε επαφή με την μέγγεννη όταν χαμηλώνετε την λάβη πλήρως και τραβάτε ή σπρώχνετε τη κινητή βάση όσο μπορεί να πάει. Εάν κάποιο μέρος εφάπτεται στην μέγγεννη επανατοποθετείστε την μέγγεννη.

Πατήστε το αντικείμενο εργασίας επίπεδα στον φράκτη οδηγό και στην περιστροφική βάση. Τοποθετείστε το αντικείμενο εργασίας στην επιθυμητή θέση κοπής και ασφαλίστε το σταθερά σφίγγοντας το κουμπί της μέγγεννης.

ΠΡΟΣΟΧΗ:

- Το αντικείμενο εργασίας πρέπει να ασφαλιζεται σταθερά στην περιστροφική βάση και στον φράκτη οδηγό με την μέγγεννη κατά την διάρκεια όλων των εργασιών.

Οριζόντια μέγγεννη (προαιρετικό εξάρτημα)

(Εικ. 38 και 39)

Η οριζόντια μέγγεννη μπορεί να τοποθετηθεί σε δύο θέσεις είτε στην αριστερή είτε στην δεξιά πλευρά της βάσης. Όταν εκτελούνται λοξές κοπές 15° ή μεγαλύτερες, τοποθετήστε την οριζόντια μέγγεννη στην πλευρά προς την οποία η περιστροφική βάση πρόκειται να στραφεί.

Χτυπώντας ελαφρά το παξιμάδι της μέγγεννης στα αριστερά, η μέγγεννη ελευθερώνεται και γρήγορα κινείται μέσα και έξω. Για να πιάσετε το αντικείμενο εργασίας σπρώχτε το κουμπί της μέγγεννης προς τα εμπρός μέχρι η πλάκα της μέγγεννης να έρθει σε επαφή με το αντικείμενο εργασίας και χτυπήστε ελαφρά το παξιμάδι της μέγγεννης στα δεξιά. Μετά γυρίστε το κουμπί της μέγγεννης δεξιόστροφα να ασφαλίσετε το αντικείμενο εργασίας.

Το μέγιστο πλάτος αντικείμενου εργασίας που μπορεί να ασφαλιστεί από την οριζόντια μέγγεννη είναι 200 χιλ.

Όταν τοποθετείτε την οριζόντια μέγγεννη στην δεξιά πλευρά της βάσης, επίσης χρησιμοποιήστε τον υπο-φράκτη R για να ασφαλίσετε το αντικείμενο εργασίας πιο σταθερά. Αναφερθείτε στο τμήμα “Υπο-φράκτης R” που περιγράφεται προηγουμένως για την τοποθέτηση του υπο-φράκτη R.

ΠΡΟΣΟΧΗ:

- Πάντοτε ρυθμίζετε το παξιμάδι μέγγεννης στα δεξιά πλήρως όταν ασφαλίσετε το αντικείμενο εργασίας. Αμέλεια να το κάνετε μπορεί να έχει ως αποτέλεσμα ανεπαρκή ασφάλεια του αντικείμενου εργασίας. Αυτό μπορεί να προκαλέσει την εκτόξευση του τεμαχίου εργασίας, ζημιά στην λάμα ή να προκαλέσει την απώλεια ελέγχου, που μπορεί να έχει ως αποτέλεσμα ΠΡΟΣΩΠΙΚΟ ΤΡΑΥΜΑΤΙΣΜΟ.

Θήκη (Εικ. 40)

Οι συγκρατητές μπορούν να τοποθετηθούν σε οποιαδήποτε από τις δύο πλευρές και είναι ένα βολικό μέσο για να κρατάνε τα αντικείμενα εργασίας οριζόντια. Βάλτε τις ράβδους των συγκρατητών μέσα στις τρύπες στην βάση και ρυθμίστε το μήκος τους σύμφωνα με το υπό συγκράτηση αντικείμενο εργασίας. Μετά σφίχτε τους συγκρατητές με ασφάλεια με τις βίδες.

ΠΡΟΣΟΧΗ:

• Πάντοτε υποστηρίζετε το επίπεδο μακρυνών αντικειμένων εργασίας με την πάνω επιφάνεια της περιστροφικής βάσης για ακριβείς κοπές και για να αποφύγετε επικίνδυνη απώλεια ελέγχου του εργαλείου.

ΛΕΙΤΟΥΡΓΙΑ

ΠΡΟΣΟΧΗ:

- Πριν από την χρήση, βεβαιώνετε ότι έχετε ελευθερώσει την λαβή από την χαμηλωμένη θέση τραβώντας τον ανασταλτικό πεύρο.
- Βεβαιώνετε ότι η λάμα δεν κάνει επαφή με το αντικείμενο εργασίας, κλπ. πριν ανάψετε τον διακόπτη.
- Μην εξασκήσετε υπερβολική πίεση στην λαβή κατά το κόψιμο. Υπερβολική πίεση μπορεί να έχει ως αποτέλεσμα υπερφόρτωση του κινητήρα και/ή μειωμένη εξασκήση κοπής. Πατήστε προς τα κάτω την λαβή με τόση δύναμη όση είναι απαραίτητη για λείο κόψιμο και χωρίς σημαντική μείωση στην ταχύτητα της λάμας.
- Απαλά πατήστε την λαβή να εκτελέσετε την κοπή. Εάν η λαβή πατηθεί κάτω με δύναμη, η εάν πλάγια δύναμη εξασκηθεί, η λάμα θα δονείται και θα αφήνει ένα σημάδι (σημάδι προιονιού) στο αντικείμενο εργασίας και η ακρίβεια της κοπής θα μειωθεί.
- Κατά τη διάρκεια της ολισθαίνουσας κοπής, μαλακά σπρώξτε τη κινητή βάση προς το φράκτη οδηγό χωρίς να σταματήσετε. Αν η κίνηση της κινητής βάσης σταματήσει κατά τη διάρκεια του κοψίματος, ένα σημάδι θα δημιουργηθεί στο αντικείμενο εργασίας και η ακρίβεια της κοπής θα μειωθεί.

1. Κόψιμο με πίεση (κοπή μικρών αντικειμένων εργασίας) (Εικ. 41)

Αντικείμενα εργασίας μέχρι 91 χιλ. σε ύψος και 70 χιλ. σε πλάτος μπορούν να κοπούν με τον ακόλουθο τρόπο.

Σπρώχτε την κινητή βάση πλήρως προς τον φράκτη οδηγό και σφίχτε το κουμπί δεξιόστροφα να ασφαλίσετε την κινητή βάση. Στερεώστε το αντικείμενο εργασίας με τη μέγγενη. Ανάψτε το εργαλείο χωρίς η λάμα να κάνει καμιά επαφή και περιμένετε μέχρι η λάμα να αποκτήσει πλήρη ταχύτητα πριν την χαμηλώσετε. Μετά χαμηλώστε απαλά την λαβή στην κατώτερη δυνατή θέση για να κόψετε το τεμάχιο εργασίας. Όταν η κοπή ολοκληρωθεί, σβήστε το μηχανήμα και ΠΕΡΙΜΕΝΕΤΕ ΜΕΧΡΙ Η ΛΑΜΑ ΣΤΑΜΑΤΗΣΕΙ ΕΝΤΕΛΩΣ πριν επιστρέψετε τη λάμα στην πλήρως υψωμένη θέση της.

ΠΡΟΣΟΧΗ:

- Σφίχτε σταθερά το κουμπί δεξιόστροφα ώστε η κινητή βάση να μη μετακινηθεί κατά την λειτουργία. Ανεπαρκές σφίξιμο μπορεί να προκαλέσει ξαφνικό οπισθοκλώσημα της λάμας. Πιθανός σοβαρός ΠΡΟΣΩΠΙΚΟΣ ΤΡΑΥΜΑΤΙΣΜΟΣ μπορεί να προκληθεί.

2. Ολισθητική κοπή (σπρώχτε) (κοπή μεγάλων αντικειμένων) (Εικ. 42)

Χαλαρώστε το κουμπί αριστερόστροφα έτσι ώστε η κινητή βάση μπορεί να γλιστράει ελεύθερα. Ασφαλίστε το αντικείμενο εργασίας με την μέγγενη. Τραβήχτε την κινητή βάση προς το μέρος σας πλήρως. Ανάψτε το εργαλείο χωρίς η λάμα να κάνει επαφή και περιμένετε μέχρι η λάμα να αποκτήσει πλήρη ταχύτητα. Πατήστε κάτω τη βάση και ΣΠΡΩΧΤΕ ΤΗΝ ΚΙΝΗΤΗ ΒΑΣΗ ΠΡΟΣ ΤΟΝ ΦΡΑΚΤΗ ΟΔΗΓΟ ΚΑΙ ΔΙΑ ΜΕΣΟΥ ΤΟΥ ΑΝΤΙΚΕΙΜΕΝΟΥ ΕΡΓΑΣΙΑΣ. Όταν η κοπή ολοκληρωθεί, σβήστε το εργαλείο και ΠΕΡΙΜΕΝΕΤΕ ΜΕΧΡΙ Η ΛΑΜΑ ΝΑ ΣΤΑΜΑΤΗΣΕΙ ΕΝΤΕΛΩΣ πριν επαναφέρετε την λάμα στην πλήρως ανυψωμένη της θέση.

ΠΡΟΣΟΧΗ:

- Όταν εκτελείτε την ολισθητική κοπή, ΠΡΩΤΑ ΤΡΑΒΗΧΤΕ ΤΗΝ ΚΙΝΗΤΗ ΒΑΣΗ ΠΡΟΣ ΤΟ ΜΕΡΟΣ ΣΑΣ ΠΛΗΡΩΣ και πατήστε κάτω την λαβή στην πλήρως χαμηλωμένη θέση, μετά ΣΠΡΩΧΤΕ ΤΗΝ ΚΙΝΗΤΗ ΒΑΣΗ ΠΡΟΣ ΤΟΝ ΦΡΑΚΤΗ ΟΔΗΓΟ. ΠΟΤΕ ΜΗΝ ΑΡΧΙΣΕΤΕ ΤΗΝ ΚΟΠΗ ΧΩΡΙΣ ΤΗΝ ΚΙΝΗΤΗ ΒΑΣΗ ΠΛΗΡΩΣ ΤΡΑΒΗΓΜΕΝΗ ΠΡΟΣ ΤΑ ΕΞΑΣ. Εάν εκτελέσετε την ολισθητική κοπή χωρίς να τραβήξετε την κινητή βάση εντελώς ή εάν εκτελέσετε την ολισθητική κοπή κατά την δική σας διεύθυνση, η λάμα μπορεί να οπισθοκλωτήσει ξαφνικά με δυνατότητα πρόκλησης σοβαρού ΠΡΟΣΩΠΙΚΟΥ ΤΡΑΥΜΑΤΙΣΜΟΥ.
- Ποτέ μην εκτελείτε την ολισθητική κοπή με την λαβή κλειδωμένη στην χαμηλωμένη θέση πατώντας τον πεύρο αναστολής.
- Ποτέ μη χαλαρώνετε το κουμπί το οποίο ασφαλίσει την κινητή βάση ενώ η λάμα περιστρέφεται. Αυτό μπορεί να προκαλέσει σοβαρό τραυματισμό.

3. Λοξότμηση

Αναφερθείτε στο προηγούμενο εδάφιο "Ρύθμιση της γωνίας λοξότμησης".

4. Κωνική κοπή (Εικ. 43)

Χαλαρώστε τον μοχλό και γείρετε την λάμα προιονιού για να ρυθμίσετε την κωνική γωνία (Αναφερθείτε στο προηγούμενο εδάφιο "Ρύθμιση της κωνικής γωνίας"). Βεβαιωθείτε ότι ξανασφίγγετε τον μοχλό σταθερά για να ασφαλίσετε την επιλεγμένη κωνική γωνία με ασφάλεια. Ασφαλίστε το αντικείμενο εργασίας με μία μέγγενη. Βεβαιωθείτε ότι η κινητή βάση είναι τραβηγμένη όσο πάει πίσω προς τον χειριστή. Ανάψτε το εργαλείο χωρίς η λάμα να κάνει επαφή και περιμένετε μέχρι η λάμα να αποκτήσει πλήρη ταχύτητα. Μετά απαλά χαμηλώστε την λαβή στην πλήρως χαμηλωμένη θέση, ενώ εφαρμόζετε πίεση παράλληλα προς την λάμα και ΣΠΡΩΧΤΕ ΤΗΝ ΚΙΝΗΤΗ ΒΑΣΗ ΠΡΟΣ ΤΟΝ ΦΡΑΚΤΗ ΟΔΗΓΟ ΝΑ ΚΟΨΕΙ ΤΟ ΑΝΤΙΚΕΙΜΕΝΟ ΕΡΓΑΣΙΑΣ. Όταν η κοπή ολοκληρωθεί, σβήστε το εργαλείο και ΠΕΡΙΜΕΝΕΤΕ ΜΕΧΡΙ Η ΛΑΜΑ ΝΑ ΣΤΑΜΑΤΗΣΕΙ ΕΝΤΕΛΩΣ πριν επαναφέρετε την λάμα στην πλήρως ανυψωμένη της θέση.

ΠΡΟΣΟΧΗ:

- Πάντοτε βεβαιώνετε ότι η λάμα θα κινηθεί προς τα κάτω προς κωνική διεύθυνση κατά τη διάρκεια μιάς κωνικής κοπής. Κρατάτε τα χέρια σας μακριά από την τροχιά της λάμας πριονιού.
- Κατά την διάρκεια μιάς κωνικής κοπής, μπορεί να δημιουργηθεί μιά κατάσταση όπου το κομμάτι που κόπηκε θα καθήσει πάνω στην πλευρά της λάμας. Εάν η λάμα υψωθεί ενώ η λάμα ακόμη γυρίζει, το αντικείμενο μπορεί να πιαστεί από την λάμα, προκαλώντας σκορπισμό τεμαχιδίων το οποίο είναι επικίνδυνο. Η λάμα πρέπει να σηκώνεται ΜΟΝΟ αφού έχει σταματήσει τελείως.
- Όταν πατάτε κάτω τη χειρολαβή, εφαρμόστε πίεση παράλληλα της λάμας. Αν μια δύναμη εφαρμοστεί κάθετα στην περιστροφική βάση ή αν η διεύθυνση της πίεσης αλλάξει κατά την διάρκεια της κοπής, η ακρίβεια της κοπής θα ελαττωθεί.
- Πάντοτε τοποθετείτε τον υπο-φράκτη στην αριστερή θέση όταν εκτελείτε αριστερές κωνικές κοπές.

5. Σύνθετες κοπές

Σύνθετη κοπή είναι η διαδικασία κατά την οποία μιά κωνική γωνία γίνεται την ίδια στιγμή που μιά λοξή γωνία κόβεται στο αντικείμενο εργασίας. Σύνθετη κοπή μπορεί να γίνει στην γωνία που φαίνεται στον πίνακα.

Λοξή γωνία	Κωνική γωνία
Αριστερά 0° – 47°, Δεξιά 0° – 45°	Αριστερά και Δεξιά 0° – 45°
Δεξιά 52°	Αριστερά 0° – 40° και Δεξιά 0° – 45°

Στην λοξή γωνία των 45° αριστερά και δεξιά και κωνική γωνία των 45° αριστερά μπορούν να κοπούν αντικείμενα εργασίας διαστάσεων έως 50 χιλ ύψους και 200 χιλ πλάτους.

Στην λοξή γωνία των 45° δεξιά και κωνική γωνία των 45° αριστερά μπορούν να κοπούν αντικείμενα εργασίας διαστάσεων έως 50 χιλ ύψους και 215 χιλ πλάτους.

Σε λοξή γωνία αριστερά και δεξιά 45° και δεξιά κωνική γωνία 45°, αντικείμενα εργασίας μέχρι 31 χιλ ύψους και 215 χιλ πλάτους μπορούν να κοπούν.

Όταν εκτελείτε σύνθετη κοπή, αναφερθείτε στις εξηγήσεις των εδαφίων «Κόψιμο με πίεση», «Ολισθητική κοπή», «Λοξή κοπή», «Κωνική κοπή».

6. Κοπή εκβολών αλουμινίου

Όταν ασφαλίσετε εκβολές αλουμινίου, χρησιμοποιείτε τάκους υποστήριξης ή κομμάτια άχρηστα όπως φαίνεται στην **Εικ. 44** για να αποφύγετε παραμόρφωση του αλουμινίου. Χρησιμοποιείτε ένα λιπαντικό κοπής όταν κόβετε μιά εκβολή αλουμινίου για να εμποδίσετε τον σχηματισμό υλικού αλουμινίου στην λάμα.

ΠΡΟΣΟΧΗ:

- Ποτέ μην επιχειρήσετε να κόψετε παχιές ή στρογγυλές εκβολές αλουμινίου. Παχιείς εκβολές αλουμινίου μπορεί να σκορπίσουν κατά την διάρκεια της εργασίας και στρογγυλές εκβολές αλουμινίου δεν μπορούν να ασφαλιστούν σταθερά με το εργαλείο αυτό. (**Εικ. 45**)

7. Κοπή αυλακώσεων (Εικ. 46)

Ενας τύπος κοπής τοίχου μπορεί να γίνει προχωρώντας ως εξής: Ρυθμίστε την θέση του χαμηλότερου ορίου της λάμας χρησιμοποιώντας την ρυθμιστική βίδα και τον βραχίονα αναστολής να περιορίσετε το βάθος κοπής της λάμας. Αναφερθείτε στο τμήμα “Βραχίονας αναστολής” που περιγράφηκε προηγουμένως.

Αφού ρυθμίσετε την θέση κατώτερου ορίου της λάμας, κοψτε παράλληλες αυλακώσεις κατά το πλάτος του αντικείμενου εργασίας χρησιμοποιώντας μιά ολισθητική (σπρωχτή) κοπή όπως φαίνεται στην εικόνα. Μετά αφαιρέστε το υλικό μεταξύ των αυλακώσεων του αντικείμενου εργασίας με ένα σκαρπέλο. Μην επιχειρήσετε να εκτελέσετε αυτό τον τύπο κοπής χρησιμοποιώντας πλατείες λάμες ή με μιά λάμα τοίχου. Πιθανή απώλεια ελέγχου και τραυματισμός μπορεί να συμβούν.

ΠΡΟΣΟΧΗ:

- Βεβαιωθείτε ότι επαναφέρετε τον βραχίονα αναστολής στην αρχική θέση όταν εκτελείτε οτιδήποτε άλλο εκτός κοπή αυλακώσεων.

Μεταφορά εργαλείου

Βεβαιωθείτε ότι το εργαλείο είναι αποσυνδεδεμένο. Ασφαλίστε την λάμα σε κωνική γωνία 0° και την περιστροφική βάση σε δεξιά λοξή γωνία πλήρως. Χαμηλώστε την λαβή εντελώς και κλειδώστε την στην χαμηλωμένη θέση σπρώχνοντας μέσα τον πείρο αναστολής. (**Εικ. 47**)

Μεταφέρετε το εργαλείο κρατώντας και τις δύο πλευρές της βάσης του εργαλείου όπως φαίνεται στην εικόνα. Εάν αφαιρέσετε τους συγκρατητήρες, σάκο σκόνης, κλπ., μπορείτε να μεταφέρετε το εργαλείο πολύ ευκολότερα. (**Εικ. 48**)

ΠΡΟΣΟΧΗ:

- Πάντοτε ασφαλίστε όλα τα κινούμενα τμήματα πριν μεταφέρετε το εργαλείο.
- Ο πείρος αναστολής είναι για μεταφορά και αποθήκευση μόνο και όχι για εργασίες κοπής.

ΣΥΝΤΗΡΗΣΗ

ΠΡΟΣΟΧΗ:

- Πάντοτε βεβαιώνετε ότι το εργαλείο είναι σβηστό και αποσυνδεδεμένο από το ρεύμα πριν επιχειρήσετε να κάνετε επιθεώρηση ή συντήρηση.

ΠΡΟΕΙΔΟΠΟΙΗΣΗ:

- Πάντοτε επιβεβαιώνετε ότι η λάμα είναι ακονισμένη και καθαρή για την καλύτερη και ασφαλέστερη απόδοση.

Ρύθμιση της γωνίας κοπής

Αυτό το εργαλείο είναι προσεκτικά ρυθμισμένο και ευθυγραμμισμένο στον εργοστάσιο, αλλά σκληρή χρήση μπορεί να έχει επηρεάσει την ευθυγράμμιση. Εάν το εργαλείο σας δεν είναι ευθυγραμμισμένο κατάλληλα, εκτελέστε τα ακόλουθα:

1. Λοξή γωνία

Σπρώξτε τη κινητή βάση προς τον οδηγό φράκτη και σφίξτε το κομβίο για να στερεώσετε τη κινητή βάση.

Χαλαρώστε την λαβή που ασφαλίζει την περιστροφική βάση. Γυρίστε την περιστροφική βάση έτσι ώστε ο δείκτης δείχνει στις 0° στην λοξή κλίμακα. Μετά γυρίστε την περιστροφική βάση ελαφρά δεξιόστροφα και αριστερόστροφα να τοποθετηθεί την περιστροφική βάση στην λοξή εγκοπή των 0°. (Αφήστε το όπως είναι εάν ο δείκτης δεν δείχνει στις 0°.) Χαλαρώστε τα εξάγωνα μπουλόνια που ασφαλίζουν τον φράχτη οδηγό χρησιμοποιώντας το κοίλο κλειδί. **(Εικ. 49)**

Χαμηλώστε την λαβή πλήρως και κλειδώστε την στην κάτω θέση σπρώχνοντας μέσα τον αναστακτικό πείρο. Τετραγωνίστε την πλευρά της λάμας με την όψη του φράκτη οδηγού χρησιμοποιώντας ένα τριγωνικό κανόνα, τετραγωνικό κανόνα, κλπ. Μετά σφίξτε με ασφάλεια τα εξάγωνα μπουλόνια στον φράχτη οδηγό στην σειρά από την δεξιά πλευρά. **(Εικ. 50)**

Βεβαιωθείτε ότι ο δείκτης δείχνει στις 0° στην λοξή κλίμακα. Εάν ο δείκτης δεν δείχνει στις 0° χαλαρώστε την βίδα που ασφαλίζει τον δείκτη και ρυθμίστε τον δείκτη έτσι ώστε να δείχνει στις 0°. **(Εικ. 51)**

2. Κωνική γωνία

1) 0° Κωνική γωνία

Σπρώξτε την κινητή βάση προς τον φράκτη οδηγό και σφίξτε το κομβίο να ασφαλίσετε την κινητή βάση. Χαμηλώστε την λαβή πλήρως και κλειδώστε την στην χαμηλωμένη θέση σπρώχνοντας μέσα τον πείρο αναστολής. Χαλαρώστε το μοχλό στο πίσω μέρος της μηχανής. Βεβαιωθείτε ότι ο βραχίονας είναι κλειδωμένος. **(Εικ. 52)**

Γυρίστε το εξαγ. μπουλόνι στην αριστερή πλευρά του βραχίονα δύο ή τρεις περιστροφές αριστερόστροφα. Γυρίστε το εξαγ. μπουλόνι στην δεξιά πλευρά του βραχίονα δύο ή τρεις περιστροφές αριστερόστροφα για να κλίνετε τη λάμα προς τα αριστερά. **(Εικ. 53)**

Προσεκτικά τετραγωνίστε την πλευρά της λάμας με την πάνω επιφάνεια της περιστροφικής βάσης χρησιμοποιώντας ένα τριγωνικό χάρακα, ένα τετράγωνο, κ.λπ. γυρίζοντας το εξαγ. μπουλόνι στη δεξιά πλευρά του βραχίονα δεξιόστροφα. Γυρίστε το εξαγ. μπουλόνι στην αριστερή πλευρά του βραχίονα δεξιόστροφα όσο μπορεί να πάει. Μετά σφίξτε το μοχλό γερά. **(Εικ. 54)**

Βεβαιωθείτε ότι και οι δύο δείκτες πάνω στο βραχίονα δείχνουν στο 0° στην κωνική κλίμακα στο στήριγμα του βραχίονα. Αν δεν δείχνουν στο 0°, χαλαρώστε τις βίδες που στερεώνουν τους δείκτες και ρυθμίστε τους ώστε να δείχνουν στο 0°. **(Εικ. 55)**

2) Κωνική γωνία 45° (Εικ. 56)

Ρυθμίστε την κωνική γωνία 45° μόνο αφού εκτελέσετε ρύθμιση κωνικής γωνίας 0°. Για να ρυθμίσετε την αριστερή κωνική γωνία 45°, χαλαρώστε τον μοχλό και γείρετε την λάμα στα αριστερά πλήρως. Βεβαιωθείτε ότι ο δείκτης στον βραχίονα δείχνει στις 45° στη κωνική κλίμακα στην θήκη του βραχίονα. Εάν ο δείκτης δεν δείχνει 45°, γυρίστε το ρυθμιστικό μπουλόνι της αριστερής 45° κωνικής γωνίας στην πλευρά της θήκης του βραχίονα μέχρι ο δείκτης να δείχνει 45°.

Για να ρυθμίσετε κωνική γωνία 45°, εκτελέστε την ίδια διαδικασία που περιγράφεται παραπάνω.

Ρύθμιση για απαλή λειτουργία κωνικής κοπής (Εικ. 57)

Το εξαγ. παξιμάδι ασφαλείας που κρατάει μαζί το βραχίονα και το στήριγμα του βραχίονα έχει ρυθμιστεί από το εργοστάσιο για να εξασφαλίσει απαλή λειτουργία κωνικής κοπής και να εγγυηθεί ακρίβεια στο κόψιμο. Μην το πειράξετε. Αν η σύνδεση μεταξύ του βραχίονα και του στήριγματος του βραχίονα χαλαρώσει σφίξτε το εξαγ. παξιμάδι ασφαλείας χρησιμοποιώντας ένα κλειδί.

Ρύθμιση της θέσης της γραμμής λέιζερ (Εικ. 58 και 59)

Μόνο για το μοντέλο LS1013L, LS1013FL

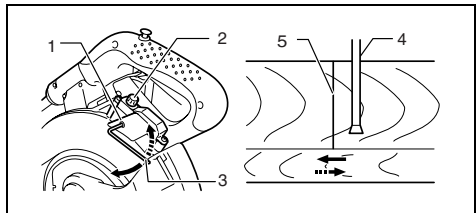
ΠΡΟΕΙΔΟΠΟΙΗΣΗ:

- Καθώς το εργαλείο είναι συνδεδεμένο όταν ρυθμίζετε την θέση της γραμμής λέιζερ, προσέχετε πολύ ιδιαίτερα στην λειτουργία του διακόπτη. Το τυχαία τράβηγμα τη σκανδάλης διακόπτη θα προκαλέσει τυχαίο ξεκίνημα του εργαλείου και προσωπικό τραυματισμό.

ΠΡΟΣΟΧΗ:

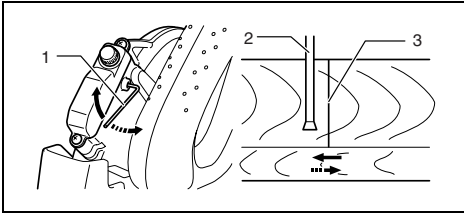
- Ποτέ μην κυττάτε μέσα στην ακτίνα λέιζερ απευθείας. Απευθείας κύτταγμα της ακτίνας λέιζερ θα προκαλέσει ζημιά στα μάτια σας.
- Ποτέ μην προκαλέσετε κτύπημα ή κρούση στο εργαλείο. Κτύπημα ή κρούση μπορεί να έχει ως αποτέλεσμα εσφαλμένη θέση της γραμμής λέιζερ, ζημιά στο τμήμα εκπομπής της ακτίνας λέιζερ ή μείωση της ζωής του εργαλείου.

Όταν ρυθμίζετε η γραμμή λέιζερ εμφανίζεται στην αριστερή πλευρά της λάμας πριονιού



- Βιδώστε για να αλλάξετε το κινητό πεδίο της ρυθμιστικής βίδας
- Ρυθμιστική βίδα
- Εξάγωνο κλειδί
- Γραμμή λέιζερ
- Λάμα πριονιού

Όταν ρυθμίζετε η γραμμή λέιζερ εμφανίζεται στην δεξιά πλευρά της λάμας πριονιού



- 1 Βιδώστε για να αλλάξετε το κινητό πεδίο της ρυθμιστικής βίδας
- 2 Λάμα πριονιού
- 3 Γραμμή λέιζερ

Και για τις δύο ρυθμίσεις κάντε τα εξής:

1. Βεβαιωθείτε ότι το εργαλείο είναι αποσυνδεδεμένο.
2. Τραβήχτε την γραμμή κοπής στο τεμάχιο εργασίας και τοποθετήστε το στο περιστροφικό τραπέζι. Αυτή την φορά, μην ασφαλίσετε το τεμάχιο εργασίας με μιά μέγγενη ή παρόμοια συσκευή ασφάλειας.
3. Κατεβάστε την λάμα χαμηλώνοντας την λαβή και ελέγξτε να δείτε που είναι η γραμμή κοπής και η θέση της λάμας πριονιού. (Αποφασίστε ποιά θέση θα κόψετε στην γραμμή κοπής.)
4. Αφού αποφασίσετε την θέση που θα κοπεί, γυρίστε την λαβή στην αρχική της θέση. Ασφαλίστε το τεμάχιο εργασίας με την κατακόρυφη μέγγενη χωρίς να μετακινήσετε το τεμάχιο εργασίας από την προελεγμένη θέση.
5. Συνδέστε το εργαλείο και ανάψτε τον διακόπτη λέιζερ.
6. Ρυθμίστε τη θέση της γραμμής λέιζερ ως εξής:

Η θέση της γραμμής λέιζερ μπορεί να αλλάχθει καθώς το κινητό πεδίο της ρυθμιστικής βίδας του λέιζερ αλλάζει γυρίζοντας δύο βίδες με ένα εξάγωνο κλειδί. (Το κινητό πεδίο της γραμμής λέιζερ είναι εργοστασιακά ρυθμισμένο σε 1 χιλ από την πλευρική επιφάνεια της λάμας.)

Για να μετακινήσετε το κινητό πεδίο της γραμμής λέιζερ μακρύτερα από την πλευρική επιφάνεια της λάμας, γυρίστε τις δύο βίδες αριστερόστροφα αφού χαλαρώσετε την ρυθμιστική βίδα. Γυρίστε αυτές τις δύο βίδες δεξιόστροφα για να το μετακινήσετε πιο κοντά στην πλευρική επιφάνεια της λάμας αφού χαλαρώσετε την ρυθμιστική βίδα.

Ανατρέξτε στο εδάφιο με τίτλο “Ενέργεια γραμμής λέιζερ” και ρυθμίστε την ρυθμιστική βίδα έτσι ώστε η γραμμή κοπής στο τεμάχιο εργασίας σας ευθυγραμμίζεται με την γραμμή λέιζερ.

ΣΗΜΕΙΩΣΗ:

- Ελέγχετε την θέση της γραμμής λέιζερ τακτικά για ακρίβεια.
- Επισκευάζετε το εργαλείο σε εξουσιοδοτημένο κέντρο Μάκίτα για οποιαδήποτε πρόβλημα στην μονάδα λέιζερ.

Καθάρισμα των φακών της λάμπας λέιζερ (Εικ. 60 και 61)

Μόνο για το μοντέλο LS1013L, LS1013FL

Εάν οι φακοί του φωτός λέιζερ ρυπανθούν ή πριονόκομη κολλήσει σ' αυτό με τέτοιο τρόπο ώστε η γραμμή λέιζερ δεν είναι εύκολα ορατή, αποσυνδέστε το πριόνι και αφαιρέστε και καθαρίστε τους φακούς του φωτός λέιζερ προσεκτικά με ένα νωπό, μαλακό ύφασμα. Μην χρησιμοποιήσετε διαλύτες ή απορρυπαντικά με βάση το πετρέλαιο στους φακούς.

Για να αφαιρέσετε τους φακούς του φωτός λέιζερ, αφαιρέστε την λάμα πριονιού πριν αφαιρέσετε τους φακούς σύμφωνα με τις οδηγίες στο εδάφιο “Τοποθέτηση ή αφαίρεση της λάμας πριονιού”.

Χαλαρώστε αλλά μην αφαιρέσετε την βίδα που ασφαλίζει τους φακούς χρησιμοποιώντας ένα κατσαβίδι. Τραβήξτε έξω τους φακούς όπως φαίνεται στην εικόνα.

ΣΗΜΕΙΩΣΗ:

- Εάν οι φακοί δεν βγαίνουν έξω, χαλαρώστε την βίδα περισσότερο και τραβήχτε πάλι τους φακούς έξω χωρίς να αφαιρέσετε την βίδα.

Αντικατάσταση σωλήνα φθορισμού (Εικ. 62)

Μόνο για το μοντέλο LS1013F, LS1013FL

ΠΡΟΣΟΧΗ:

- Πάντοτε βεβαιώνετε ότι το εργαλείο είναι σβηστό και αποσυνδεδεμένο από το ρεύμα πριν αντικαταστήσετε τον σωλήνα φθορίου.
- Μην εφαρμόζετε δύναμη, χτύπημα ή γρατσουνίσετε ένα σωλήνα φθορισμού, γιατί μπορεί να σπάσει το γυαλί του σωλήνα φθορισμού με αποτέλεσμα να τραυματίσει εσάς ή τους γύρω σας.
- Αφήνετε ένα σωλήνα φθορισμού για λίγο αμέσως μετά τη χρήση και μετά κάνετε αντικατάσταση. Διαφορετικά μπορεί να σας προκαλέσει εγκαύματα.

Αφαιρέστε τις βίδες, που ασφαλίζουν το κουτί λάμπας για το φως. Τραβήχτε έξω το κουτί λάμπας σπρώχνοντας ελαφρά το επάνω μέρος της όπως φαίνεται στην εικονογράφηση στην **Εικ. 62**.

Τραβήχτε έξω τον σωλήνα φθορισμού και μετά αντικαταστήστε τον με έναν καινούργιο Μάκίτα.

Αντικατάσταση ψηκτρών άνθρακα (Εικ. 63 και 64)

Αφαιρέτε και ελέγχετε τις ψήκτρες άνθρακα τακτικά. Αντικαθιστάτε τις όταν έχουν φθαρεί στο σημάδι ορίου. Κρατάτε τις ψήκτρες άνθρακα καθαρές και ελεύθερες να γλιστρούν στις θήκες. Και οι δύο ψήκτρες άνθρακα πρέπει να αντικαθιστανται ταυτόχρονα. Χρησιμοποιείτε μόνο ταυτόσημες ψήκτρες άνθρακα.

Χρησιμοποιείτε ένα κατσαβίδι για να αφαιρέσετε τα καπάκια των ψηκτρών άνθρακα. Βγάλτε τις φθαρμένες ψήκτρες άνθρακα, βάλτε τις καινούργιες και ασφαλίστε τα καπάκια των ψηκτρών άνθρακα.

Μετά την χρήση

- Μετά την χρήση, σφουγγίστε τα τεμαχίδια και την σκόνη που είναι κολλημένα στο εργαλείο με ένα πανί ή κάτι παρόμοιο. Κρατείστε τον προφυλακτήρα λάμας καθαρά σύμφωνα με τις οδηγίες στο προηγούμενος καλυφθέν τμήμα με τίτλο “Προφυλακτήρας λάμας”. Λιπαίνετε τα μέρη που γλιστρούν με μηχανικό έλαιο για να μην οξειδωθούν.
- Όταν αποθηκεύετε το μηχάνημα, τραβήξτε τη κινητή βάση πλήρως προς το μέρος σας έτσι ώστε η ολισθαίνουσα ράβδος να έχει μπει καλά μέσα στη περιστροφική βάση.

Για την διατήρηση της ΑΣΦΑΛΕΙΑΣ και ΑΞΙΟΠΙΣΤΙΑΣ του προϊόντος, επισκευές, οποιαδήποτε άλλη συντήρηση ή ρύθμιση πρέπει να εκτελούνται από Εξουσιοδοτημένα Κέντρα Σερβις της Μάκιτα, πάντοτε με χρήση ανταλλακτικών Μάκιτα.

ΕΞΑΡΤΗΜΑΤΑ

ΠΡΟΣΟΧΗ:

- Αυτά τα εξαρτήματα ή προσαρτήματα συνιστώνται για χρήση με το εργαλείο Μάκιτα που περιγράφηκε στις οδηγίες αυτές. Η χρήση οτιδήποτε άλλων εξαρτημάτων ή προσαρτημάτων μπορεί να προκαλέσει κίνδυνο τραυματισμού σε άτομα. Χρησιμοποιείτε τα εξαρτήματα ή προσαρτήματα μόνο για την χρήση που προορίζονται.

Εάν χρειάζεστε οποιαδήποτε βοήθεια για περισσότερες πληροφορίες σε σχέση με αυτά τα εξαρτήματα, αποτανθείτε στο τοπικό σας κέντρο εξυπηρέτησης Μάκιτα.

- Λάμες πριονιού με άκρα από ατσάλι & καρβίδιο
- Σάκος σκόνης
- Υπο-φράκτης R
- Αγκώνας
- Σύνολο μέγγενης (Οριζόντια μέγγενη)
- Τριγωνικός κανόνας
- Κατακόρυφη μέγγενη
- Κουμπί κλειδώματος-εκτός (2 τμχ)
- Κοίλο κλειδί 13
- Μπλοκ κεφαλής
- Θήκη
- Σωλήνας φθορισμού (Για LS1013F/LS1013FL)
- Εξάγωνο κλειδί (Για LS1013L/LS1013FL)

ENGLISH**EC-DECLARATION OF CONFORMITY****Model; LS1013, LS1013F, LS1013L**

We declare under our sole responsibility that this product is in compliance with the following standards of standardized documents,

EN61029, EN55014, EN61000

in accordance with Council Directives, 2004/108/EC and 98/37/EC.

FRANÇAISE**DÉCLARATION DE CONFORMITÉ CE****Modèle ; LS1013, LS1013F, LS1013L**

Nous déclarons sous notre entière responsabilité que ce produit est conforme aux normes des documents standardisés suivants,

EN61029, EN55014, EN61000

conformément aux Directives du Conseil, 2004/108/EG et 98/37/EG.

DEUTSCH**CE-KONFORMITÄTSERKLÄRUNG****Modell; LS1013, LS1013F, LS1013L**

Hiermit erklärt wir unter unserer alleinigen Verantwortung, daß dieses Produkt gemäß den Ratsdirektiven 2004/108/EG und 98/37/EG mit den folgenden Normen von Normendokumenten übereinstimmen:

EN61029, EN55014, EN61000.

ITALIANO**DICHIARAZIONE DI CONFORMITÀ
CON LE NORME DELLA COMUNITÀ EUROPEA****Modello; LS1013, LS1013F, LS1013L**

Dichiariamo sotto la nostra sola responsabilità che questo prodotto è conforme agli standard di documenti standardizzati seguenti:

EN61029, EN55014, EN61000

secondo le direttive del Consiglio 2004/108/CE e 98/37/CE.

NEDERLANDS**EG-VERKLARING VAN CONFORMITEIT****Model; LS1013, LS1013F, LS1013L**

Wij verklaren hierbij uitsluitend op eigen verantwoordelijkheid dat dit produkt voldoet aan de volgende normen van genormaliseerde documenten,

EN61029, EN55014, EN61000

in overeenstemming met de richtlijnen van de Raad 2004/108/EC en 98/37/EC.

ESPAÑOL**DECLARACIÓN DE CONFORMIDAD DE LA CE****Modelo; LS1013, LS1013F, LS1013L**

Declaramos bajo nuestra sola responsabilidad que este producto cumple con las siguientes normas de documentos normalizados,

EN61029, EN55014, EN61000

de acuerdo con las directivas comunitarias, 2004/108/CE y 98/37/CE.

Tomoyasu Kato **CE 2006**


Director	Amministratore
Directeur	Directeur
Direktor	Director

Responsible manufacturer:

Produttore responsabile:

Fabricant responsable :

Verantwoordelijke fabrikant:

Verantwortlicher Hersteller:

Fabricante responsable:

Makita Corporation

3-11-8, Sumiyoshi-cho, Anjo, Aichi, JAPAN

Authorized Representative in Europe:

Rappresentante autorizzato per l'Europa:

Représentant agréé en Europe :

Erkende vertegenwoordiger in Europa:

Autorisierte Vertretung in Europa:

Representante autorizado en Europa:

MAKITA International Europe Ltd.

Michigan Drive, Tongwell, Milton Keynes, Bucks MK15 8JD, ENGLAND

PORTUGUÊS**DECLARAÇÃO DE CONFORMIDADE DA CE****Modelo; LS1013, LS1013F, LS1013L**

Declaramos sob inteira responsabilidade que este produto obedece às seguintes normas de documentos normalizados,

EN61029, EN55014, EN61000

de acordo com as directivas 2004/108/CE e 98/37/CE do Conselho.

ΕΛΛΗΝΙΚΑ**ΔΗΛΩΣΗ ΣΥΜΜΟΡΦΩΣΗΣ ΕΚ****Μοντέλο; LS1013, LS1013F, LS1013L**

Δηλώνουμε υπό την μοναδική μας ευθύνη ότι αυτό το προϊόν βρίσκεται σε Συμφωνία με τα ακόλουθα πρότυπα τυποποιημένων εγγράφων,

EN61029, EN55014, EN61000

σύμφωνα με τις Οδηγίες του Συμβουλίου, 2004/108/ΚΕ και 98/37/ΚΕ.

DANSK**EU-DEKLARATION OM KONFORMITET****Model; LS1013, LS1013F, LS1013L**

Vi erklærer hermed på eget ansvar, at dette produkt er i overensstemmelse med de følgende standarder i de normsættende dokumenter,

EN61029, EN55014, EN61000

i overensstemmelse med Rådets Direktiver 2004/108/EC og 98/37/EC.

Tomoyasu Kato CE 2006Director
Direktør

Διευθυντής

Fabricante responsável:
Ansvarlig fabrikant:**Makita Corporation**

3-11-8, Sumiyoshi-cho, Anjo, Aichi, JAPAN

Υπεύθυνος κατασκευαστής:

Representador Autorizado na Europa:
Autoriseret repræsentant i Europa:

Εξουσιοδοτημένος Αντιπρόσωπος στην Ευρώπη:

MAKITA International Europe Ltd.

Michigan Drive, Tongwell, Milton Keynes, Bucks MK15 8JD, ENGLAND

ENGLISH

For European countries only

Noise and Vibration

The typical A-weighted noise levels are
sound pressure level: 88 dB (A)
sound power level: 101 dB (A)
Uncertainty is 3 dB (A).
– Wear ear protection. –

The typical weighted root mean square acceleration
value is not more than 2.5 m/s².

These values have been obtained according to
EN61029.

FRANÇAISE

Pour les pays d'Europe uniquement

Bruit et vibrations

Les niveaux de bruit pondérés types A sont:
niveau de pression sonore: 88 dB (A)
niveau de puissance du son: 101 dB (A)
L'incertitude de mesure est de 3 dB (A).
– Porter des protecteurs anti-bruit. –
L'accélération pondérée ne dépasse pas 2,5 m/s².
Ces valeurs ont été obtenues selon EN61029.

DEUTSCH

Nur für europäische Länder

Geräusch- und Vibrationsentwicklung

Die typischen A-bewerteten Geräuschpegel betragen:
Schalldruckpegel: 88 dB (A)
Schalleistungspegel: 101 dB (A)
Die Abweichung beträgt 3 dB (A).
– Gehörschutz tragen. –
Der gewichtete Effektivwert der Beschleunigung beträgt
nicht mehr als 2,5 m/s².
Diese Werte wurden gemäß EN61029 erhalten.

ITALIANO

Modello per l'Europa soltanto

Rumore e vibrazione

I livelli del rumore pesati secondo la curva A sono:
Livello pressione sonora: 88 dB (A)
Livello potenza sonora: 101 dB (A)
L'incertezza è di 3 dB (A).
– Indossare i paraorecchi. –
Il valore quadratico medio di accelerazione non supera i
2,5 m/s².
Questi valori sono stati ottenuti in conformità EN61029.

NEDERLANDS

Alleen voor Europese landen

Geluidsniveau en trilling

De typische A-gewogen geluidsniveaus zijn
geluidsdruk niveau: 88 dB (A)
geluidsenergie-niveau: 101 dB (A)
Onzekerheid is 3 dB (A).
– Draag oorbeschermers. –
De typische gewogen effectieve versnellingswaarde is
niet meer dan 2,5 m/s².
Deze waarden werden verkregen in overeenstemming
met EN61029.

ESPAÑOL

Para países europeos solamente

Ruido y vibración

Los niveles típicos de ruido ponderados A son
presión sonora: 88 dB (A)
nivel de potencia sonora: 101 dB (A)
Incerteza 3 dB (A).
– Póngase protectores en los oídos. –
El valor ponderado de la aceleración no sobrepasa los
2,5 m/s².
Estos valores han sido obtenidos de acuerdo con
EN61029.

PORTUGUÊS

Só para países Europeus

Ruído e vibração

Os níveis normais de ruído A são
nível de pressão de som: 88 dB (A)
nível do som: 101 dB (A)
A incerteza é de 3 dB (A).
– Utilize protectores para os ouvidos –
O valor médio da aceleração é inferior a 2,5 m/s².
Estes valores foram obtidos de acordo com EN61029.

DANSK

Kun for lande i Europa

Lyd og vibration

De typiske A-vægtede lydniveauer er
lydtryksniveau: 88 dB (A)
lydeffektniveau: 101 dB (A)
Der er en usikkerhed på 3 dB (A).
– Bær høreværn. –
Den vægtede effektive accelerationsværdi overstiger ikke
2,5 m/s².
Disse værdier er beregnet i overensstemmelse med
EN61029.

ΕΛΛΗΝΙΚΑ

Μόνο για χώρες της Ευρώπης

Θόρυβος και κραδασμός

Οι τυπικές Α-μετρούμενες εντάσεις ήχου είναι
πίεση ήχου: 88 dB (A)
δύναμη του ήχου: 101 dB (A)
Η Αβεβαιότητα είναι 3 dB (A).
– Φοράτε ωτοασπίδες. –
Η τυπική αξία της μετρούμενης ρίζας του μέσου
τετραγώνου της επιτάχυνσης δεν ξεπερνά τα
2,5 m/s².
Αυτές οι τιμές έχουν σημειωθεί σύμφωνα με το
EN61029.

Makita Corporation
Anjo, Aichi, Japan

884098Q988