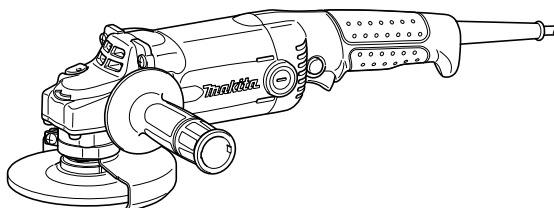
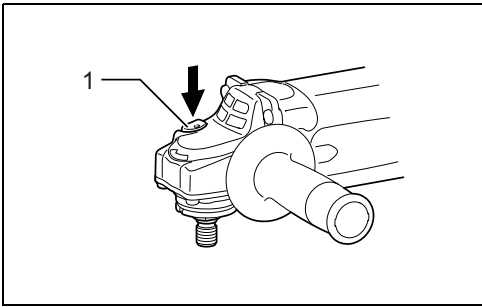




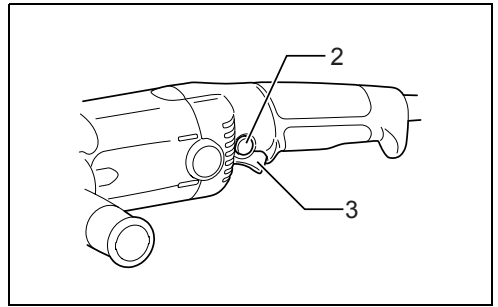
GB	Angle Grinder	Instruction manual
F	Meuleuse angulaire	Manuel d'instructions
D	Winkelschleifer	Betriebsanleitung
I	Smerigliatrice angolare	Istruzioni per l'uso
NL	Haakse slijpmachine	Gebruiksaanwijzing
E	Amoladora	Manual de instrucciones
P	Afiadora angular	Manual de instruções
DK	Vinkelsliber	Brugsanvisning
GR	Γωνιακός τροχός	Οδηγίες χρήσης

GA5020
GA5020C
GA5021
GA5021C
GA6020
GA6020C
GA6021
GA6021C

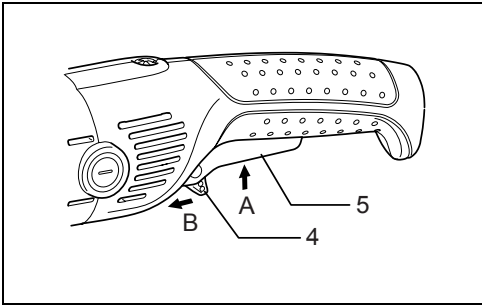




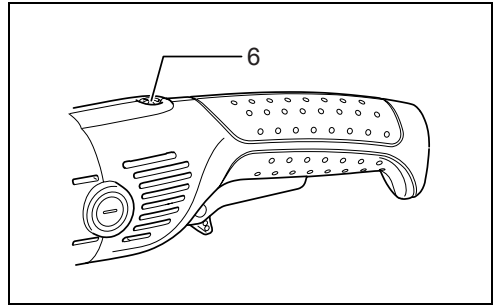
1



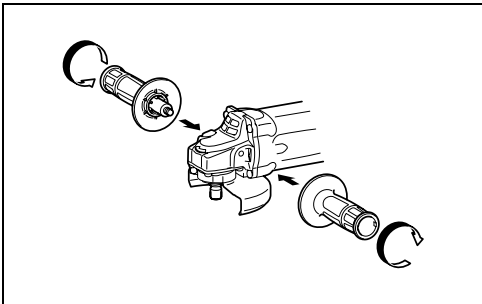
2



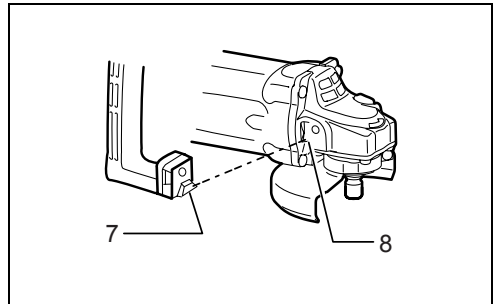
3



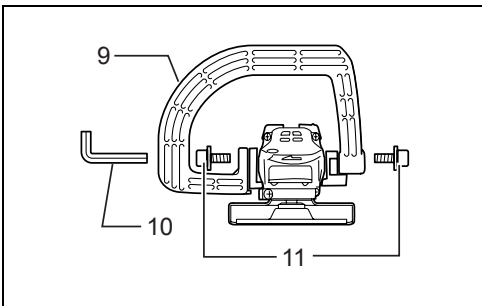
4



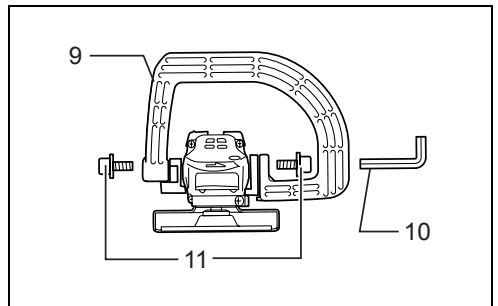
5



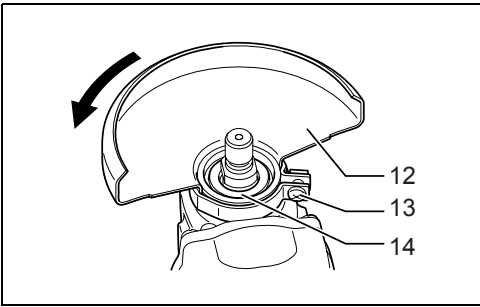
6



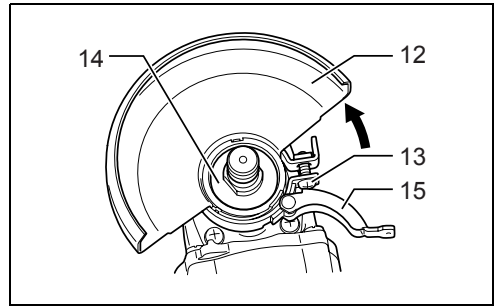
7



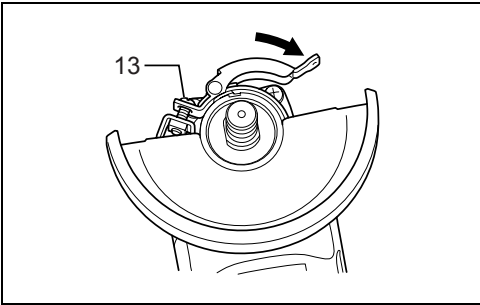
8



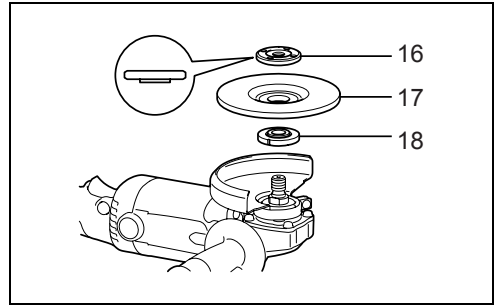
9



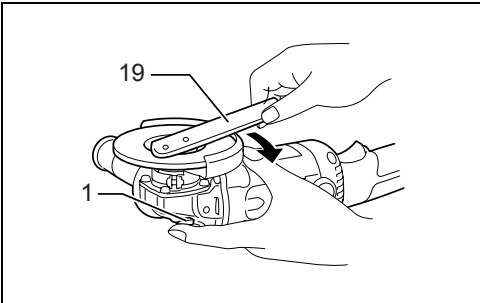
10



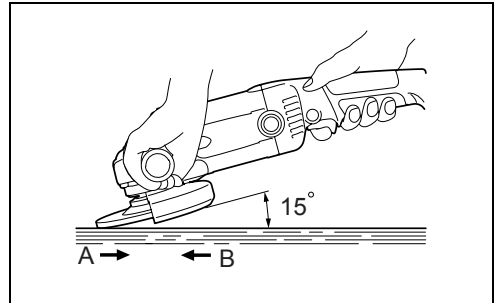
11



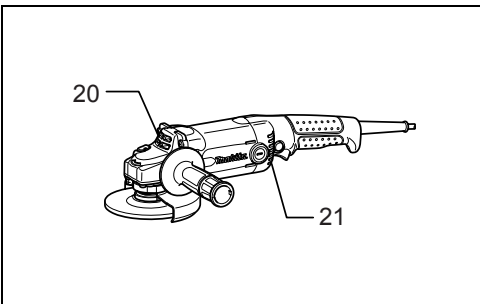
12



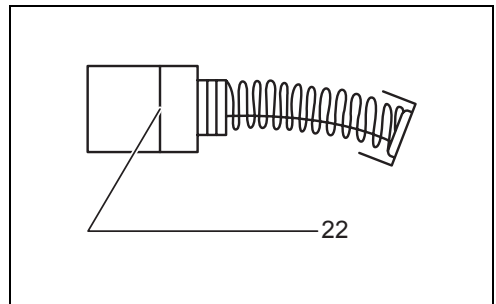
13



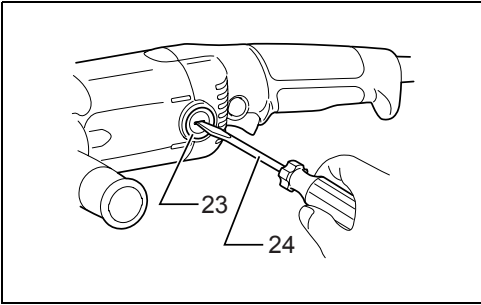
14



15



16



17

ENGLISH

Explanation of general view

- | | | |
|----------------------------------|-------------------------------------|----------------------|
| 1. Shaft lock | 10. Hex wrench | 18. Inner flange |
| 2. Lock button/Lock-off button | 11. Bolt | 19. Lock nut wrench |
| 3. Switch trigger (type A) | 12. Wheel guard | 20. Exhaust vent |
| 4. Lock lever | 13. Screw | 21. Inhalation vent |
| 5. Switch trigger (type B) | 14. Bearing box | 22. Limit mark |
| 6. Indication lamp | 15. Lever | 23. Brush holder cap |
| 7. Protrusion of loop handle | 16. Lock nut | 24. Screwdriver |
| 8. Matching hole in gear housing | 17. Depressed center grinding wheel | |
| 9. Loop handle | Multi-disc | |

SPECIFICATIONS

Model	GA5020	GA5021	GA5020C/ GA5021C	GA6020	GA6021	GA6020C/ GA6021C
Depressed center wheel diameter	125 mm	125 mm	125 mm	150 mm	150 mm	150 mm
Spindle thread	M14	M14	M14	M14	M14	M14
No load speed (n_0) / Rated speed (n)	11,000 min ⁻¹	11,000 min ⁻¹	10,000 min ⁻¹	10,000 min ⁻¹	10,000 min ⁻¹	9,000 min ⁻¹
Overall length	356 mm	384 mm	390 mm	356 mm	384 mm	390 mm
Net weight	2.7 kg	2.7 kg	2.9 kg	3.0 kg	2.8 kg	3.0 kg
Safety class	II/III					

- Due to our continuing program of research and development, the specifications herein are subject to change without notice.
- Specifications may differ from country to country.
- Weight according to EPTA-Procedure 01/2003

Intended use ENE048-1

The tool is intended for grinding, sanding and cutting of metal and stone materials without the use of water.

Power supply ENF002-1

The tool should be connected only to a power supply of the same voltage as indicated on the nameplate, and can only be operated on single-phase AC supply. They are double-insulated in accordance with European Standard and can, therefore, also be used from sockets without earth wire.

SPECIFIC SAFETY RULES GEB033-2

DO NOT let comfort or familiarity with product (gained from repeated use) replace strict adherence to grinder safety rules. If you use this tool unsafely or incorrectly, you can suffer serious personal injury.

Safety Warnings Common for Grinding, Sanding, Wire Brushing, or Abrasive Cutting-Off Operations:

1. **This power tool is intended to function as a grinder, sander, wire brush or cut-off tool. Read all safety warnings, instructions, illustrations and specifications provided with this power tool.**
Failure to follow all instructions listed below may result in electric shock, fire and/or serious injury.
2. **Operations such as polishing are not recommended to be performed with this power tool.** Operations for which the power tool was not designed may create a hazard and cause personal injury.
3. **Do not use accessories which are not specifically designed and recommended by the tool**

manufacturer. Just because the accessory can be attached to your power tool, it does not assure safe operation.

4. **The rated speed of the accessory must be at least equal to the maximum speed marked on the power tool.** Accessories running faster than their rated speed can break and fly apart.
5. **The outside diameter and the thickness of your accessory must be within the capacity rating of your power tool.** Incorrectly sized accessories cannot be adequately guarded or controlled.
6. **The arbour size of wheels, flanges, backing pads or any other accessory must properly fit the spindle of the power tool.** Accessories with arbour holes that do not match the mounting hardware of the power tool will run out of balance, vibrate excessively and may cause loss of control.
7. **Do not use a damaged accessory. Before each use inspect the accessory such as abrasive wheels for chips and cracks, backing pad for cracks, tear or excess wear, wire brush for loose or cracked wires. If power tool or accessory is dropped, inspect for damage or install an undamaged accessory. After inspecting and installing an accessory, position yourself and bystanders away from the plane of the rotating accessory and run the power tool at maximum no-load speed for one minute.** Damaged accessories will normally break apart during this test time.
8. **Wear personal protective equipment. Depending on application, use face shield, safety goggles or safety glasses. As appropriate, wear dust mask, hearing protectors, gloves and workshop apron**

capable of stopping small abrasive or workpiece fragments. The eye protection must be capable of stopping flying debris generated by various operations. The dust mask or respirator must be capable of filtering particles generated by your operation. Prolonged exposure to high intensity noise may cause hearing loss.

9. **Keep bystanders a safe distance away from work area. Anyone entering the work area must wear personal protective equipment.** Fragments of workpiece or of a broken accessory may fly away and cause injury beyond immediate area of operation.
10. **Hold power tool by insulated gripping surfaces only, when performing an operation where the cutting accessory may contact hidden wiring or its own cord.** Cutting accessory contacting a "live" wire may make exposed metal parts of the power tool "live" and shock the operator.
11. **Position the cord clear of the spinning accessory.** If you lose control, the cord may be cut or snagged and your hand or arm may be pulled into the spinning accessory.
12. **Never lay the power tool down until the accessory has come to a complete stop.** The spinning accessory may grab the surface and pull the power tool out of your control.
13. **Do not run the power tool while carrying it at your side.** Accidental contact with the spinning accessory could snag your clothing, pulling the accessory into your body.
14. **Regularly clean the power tool's air vents.** The motor's fan will draw the dust inside the housing and excessive accumulation of powdered metal may cause electrical hazards.
15. **Do not operate the power tool near flammable materials.** Sparks could ignite these materials.
16. **Do not use accessories that require liquid coolants.** Using water or other liquid coolants may result in electrocution or shock.

Kickback and Related Warnings

Kickback is a sudden reaction to a pinched or snagged rotating wheel, backing pad, brush or any other accessory. Pinching or snagging causes rapid stalling of the rotating accessory which in turn causes the uncontrolled power tool to be forced in the direction opposite of the accessory's rotation at the point of the binding.

For example, if an abrasive wheel is snagged or pinched by the workpiece, the edge of the wheel that is entering into the pinch point can dig into the surface of the material causing the wheel to climb out or kick out. The wheel may either jump toward or away from the operator, depending on direction of the wheel's movement at the point of pinching. Abrasive wheels may also break under these conditions.

Kickback is the result of power tool misuse and/or incorrect operating procedures or conditions and can be avoided by taking proper precautions as given below.

- a) **Maintain a firm grip on the power tool and position your body and arm to allow you to resist kickback forces. Always use auxiliary handle, if provided, for maximum control over kickback or torque reaction during start-up.** The operator can

control torque reactions or kickback forces, if proper precautions are taken.

- b) **Never place your hand near the rotating accessory.** Accessory may kickback over your hand.
- c) **Do not position your body in the area where power tool will move if kickback occurs.** Kickback will propel the tool in direction opposite to the wheel's movement at the point of snagging.
- d) **Use special care when working corners, sharp edges etc. Avoid bouncing and snagging the accessory.** Corners, sharp edges or bouncing have a tendency to snag the rotating accessory and cause loss of control or kickback.
- e) **Do not attach a saw chain woodcarving blade or toothed saw blade.** Such blades create frequent kickback and loss of control.

Safety Warnings Specific for Grinding and Abrasive Cutting-Off Operations:

- a) **Use only wheel types that are recommended for your power tool and the specific guard designed for the selected wheel.** Wheels for which the power tool was not designed cannot be adequately guarded and are unsafe.
- b) **The guard must be securely attached to the power tool and positioned for maximum safety, so the least amount of wheel is exposed towards the operator.** The guard helps to protect operator from broken wheel fragments and accidental contact with wheel.
- c) **Wheels must be used only for recommended applications. For example: do not grind with the side of cut-off wheel.** Abrasive cut-off wheels are intended for peripheral grinding, side forces applied to these wheels may cause them to shatter.
- d) **Always use undamaged wheel flanges that are of correct size and shape for your selected wheel.** Proper wheel flanges support the wheel thus reducing the possibility of wheel breakage. Flanges for cut-off wheels may be different from grinding wheel flanges.
- e) **Do not use worn down wheels from larger power tools.** Wheel intended for larger power tool is not suitable for the higher speed of a smaller tool and may burst.

Additional Safety Warnings Specific for Abrasive Cutting-Off Operations:

- a) **Do not "jam" the cut-off wheel or apply excessive pressure. Do not attempt to make an excessive depth of cut.** Overstressing the wheel increases the loading and susceptibility to twisting or binding of the wheel in the cut and the possibility of kickback or wheel breakage.
- b) **Do not position your body in line with and behind the rotating wheel.** When the wheel, at the point of operation, is moving away from your body, the possible kickback may propel the spinning wheel and the power tool directly at you.
- c) **When wheel is binding or when interrupting a cut for any reason, switch off the power tool and hold the power tool motionless until the wheel comes to a complete stop. Never attempt to remove the cut-off wheel from the cut while the wheel is in motion otherwise kickback may occur.**

Investigate and take corrective action to eliminate the cause of wheel binding.

d) **Do not restart the cutting operation in the workpiece. Let the wheel reach full speed and carefully reenter the cut.** The wheel may bind, walk up or kickback if the power tool is restarted in the workpiece.

e) **Support panels or any oversized workpiece to minimize the risk of wheel pinching and kickback.** Large workpieces tend to sag under their own weight. Supports must be placed under the workpiece near the line of cut and near the edge of the workpiece on both sides of the wheel.

f) **Use extra caution when making a “pocket cut” into existing walls or other blind areas.** The protruding wheel may cut gas or water pipes, electrical wiring or objects that can cause kickback.

Safety Warnings Specific for Sanding Operations:

a) **Do not use excessively oversized sanding disc paper. Follow manufacturers recommendations, when selecting sanding paper.** Larger sanding paper extending beyond the sanding pad presents a laceration hazard and may cause snagging, tearing of the disc or kickback.

Safety Warnings Specific for Wire Brushing Operations:

a) **Be aware that wire bristles are thrown by the brush even during ordinary operation. Do not overstress the wires by applying excessive load to the brush.** The wire bristles can easily penetrate light clothing and/or skin.

b) **If the use of a guard is recommended for wire brushing, do not allow interference of the wire wheel or brush with the guard.** Wire wheel or brush may expand in diameter due to work load and centrifugal forces.

Additional safety warnings:

17. **When using depressed centre grinding wheels, be sure to use only fiberglass-reinforced wheels.**
18. **Be careful not to damage the spindle, the flange (especially the installing surface) or the lock nut. Damage to these parts could result in wheel breakage.**
19. **Make sure the wheel is not contacting the workpiece before the switch is turned on.**
20. **Before using the tool on an actual workpiece, let it run for a while. Watch for vibration or wobbling that could indicate poor installation or a poorly balanced wheel.**
21. **Use the specified surface of the wheel to perform the grinding.**
22. **Watch out for flying sparks. Hold the tool so that sparks fly away from you and other persons or flammable materials.**
23. **Do not leave the tool running. Operate the tool only when hand-held.**
24. **Do not touch the workpiece immediately after operation; it may be extremely hot and could burn your skin.**
25. **Always be sure that the tool is switched off and unplugged or that the battery cartridge is removed before carrying out any work on the tool.**

26. **Observe the instructions of the manufacturer for correct mounting and use of wheels. Handle and store wheels with care.**
27. **Do not use separate reducing bushings or adaptors to adapt large hole abrasive wheels.**
28. **Use only flanges specified for this tool.**
29. **For tools intended to be fitted with threaded hole wheel, ensure that the thread in the wheel is long enough to accept the spindle length.**
30. **Check that the workpiece is properly supported.**
31. **Pay attention that the wheel continues to rotate after the tool is switched off.**
32. **If working place is extremely hot and humid, or badly polluted by conductive dust, use a short-circuit breaker (30 mA) to assure operator safety.**
33. **Do not use the tool on any materials containing asbestos.**
34. **Do not use water or grinding lubricant.**
35. **Ensure that ventilation openings are kept clear when working in dusty conditions. If it should become necessary to clear dust, first disconnect the tool from the mains supply (use non metallic objects) and avoid damaging internal parts.**
36. **When use cut-off wheel, always work with the dust collecting wheel guard required by domestic regulation.**
37. **Cutting discs must not be subjected to any lateral pressure.**

WARNING:

MISUSE or failure to follow the safety rules stated in this instruction manual may cause serious personal injury.

SAVE THESE INSTRUCTIONS.

FUNCTIONAL DESCRIPTION

CAUTION:

- Always be sure that the tool is switched off and unplugged before adjusting or checking function on the tool.

Shaft lock (Fig. 1)

CAUTION:

- Never actuate the shaft lock when the spindle is moving. The tool may be damaged.
- Press the shaft lock to prevent spindle rotation when installing or removing accessories.

Switch action

CAUTION:

- Before plugging in the tool, always check to see that the switch trigger actuates properly and returns to the “OFF” position when released.

For tool with type A switch trigger (Fig. 2)

For tool without lock button and lock-off button

To start the tool, simply pull the switch trigger. Release the switch trigger to stop.

For tool with the lock button

To prevent the switch trigger from accidentally pulled, a lock lever is provided. To start the tool, push in the lock

lever and then pull the switch trigger. Release the switch trigger to stop. For continuous operation, push in the lock lever, pull the switch trigger and then push the lock lever further in. To stop the tool from the locked position, pull the switch trigger fully, then release it.

For tool with lock-off button

To prevent the switch trigger from being accidentally pulled, a lock-off button is provided.

To start the tool, depress the lock-off button and pull the switch trigger. Release the switch trigger to stop.

For tool with type B switch trigger (Fig. 3)

For tool with the lock-on switch

To start the tool, simply pull the switch trigger (A). Release the switch trigger to stop. For continuous operation, pull the switch trigger (A) and then push in the lock lever (B). To stop the tool from the locked position, pull the switch trigger (A) fully, then release it.

For tool with the lock-off switch

To prevent the switch trigger from accidentally pulled, a lock lever is provided. To start the tool, push in the lock lever (B) and then pull the switch trigger (A). Release the switch trigger to stop.

For tool with the lock on and lock-off switch

To prevent the switch trigger from accidentally pulled, a lock lever is provided. To start the tool, push in the lock lever (B) and then pull the switch trigger (A). Release the switch trigger to stop. For continuous operation, push in the lock lever (B), pull the switch trigger and then push the lock lever further in (B). To stop the tool from the locked position, pull the switch trigger (A) fully, then release it.

Electronic function

Constant speed control (For model GA5020C, GA5021C, GA6020C, GA6021C)

- Possible to get fine finish, because the rotating speed is kept constantly even under the loaded condition.
- Additionally, when the load on the tool exceeds admissible levels, power to the motor is reduced to protect the motor from overheating. When the load returns to admissible levels, the tool will operate as normal.

Soft start feature

- Soft start because of suppressed starting shock.

Indication lamp (Fig. 4)

The indication lamp lights up green when the tool is plugged. If the indication lamp does not light up, the mains cord or the controller may be defective. The indication lamp is lit but the tool does not start even if the tool is switched on, the carbon brushes may be worn out, or the controller, the motor or the ON/OFF switch may be defective.

Unintentional restart proof

Even locking lever keeping the switch trigger depressed (Lock-on position) does not allow the tool to restart even when the tool is plugged.

At this time, the indication lamp flickers red and shows the unintentional restart proof device is on function.

To cancel the unintentional restart proof, pull the switch trigger fully, then release it.

ASSEMBLY

CAUTION:

- Always be sure that the tool is switched off and unplugged before carrying out any work on the tool.

Installing side grip (handle) (Fig. 5)

CAUTION:

- Always be sure that the side grip is installed securely before operation.

Screw the side grip securely on the position of the tool as shown in the figure.

Installing loop handle (Accessory)

CAUTION:

- Always be sure that the loop handle is installed securely before operation. (Fig. 6)

Always install the loop handle on the tool before operation. Hold the tool's switch handle and the loop handle firmly with both hands during operation.

Install the loop handle so that its protrusion will fit into the matching hole in the gear housing.

Install the bolts and tighten them with the hex wrench.

The loop handle can be installed in two different directions as shown in the figures whichever is convenient for your work. (Fig. 7 & 8)

Installing or removing wheel guard

CAUTION:

- When using a depressed center grinding wheel/Multi-disc, wire wheel brush or cut-off wheel, the wheel guard must be fitted on the tool so that the closed side of the guard always points toward the operator.

For tool with locking screw type wheel guard (Fig. 9)

Mount the wheel guard with the protrusion on the wheel guard band aligned with the notch on the bearing box. Then rotate the wheel guard around 180 degrees counterclockwise. Be sure to tighten the screw securely. To remove wheel guard, follow the installation procedure in reverse.

For tool with clamp lever type wheel guard (Fig. 10 & 11)

Loosen the lever on the wheel guard after loosening the screw. Mount the wheel guard with the protrusion on the wheel guard band aligned with the notch on the bearing box. Then rotate the wheel guard around to the position shown in the figure. Tighten the lever to fasten the wheel guard. If the lever is too tight or too loose to fasten the wheel guard, loosen or tighten the screw to adjust the tightening of the wheel guard band.

To remove wheel guard, follow the installation procedure in reverse.

Installing or removing depressed center grinding wheel/Multi-disc (accessory)

WARNING:

- Always use supplied guard when depressed center grinding wheel/Multi-disc is on tool. Wheel can shatter during use and guard helps to reduce chances of personal injury. (Fig. 12)

Mount the inner flange onto the spindle. Fit the wheel/disc on the inner flange and screw the lock nut onto the spindle.

To tighten the lock nut, press the shaft lock firmly so that the spindle cannot revolve, then use the lock nut wrench and securely tighten clockwise. (Fig. 13)

To remove the wheel, follow the installation procedure in reverse.

OPERATION

WARNING:

- It should never be necessary to force the tool. The weight of the tool applies adequate pressure. Forcing and excessive pressure could cause dangerous wheel breakage.
- ALWAYS replace wheel if tool is dropped while grinding.
- NEVER bang or hit grinding disc or wheel onto work.
- Avoid bouncing and snagging the wheel, especially when working corners, sharp edges etc. This can cause loss of control and kickback.
- NEVER use tool with wood cutting blades and other sawblades. Such blades when used on a grinder frequently kick and cause loss of control leading to personal injury.

CAUTION:

- After operation, always switch off the tool and wait until the wheel has come to a complete stop before putting the tool down.

Grinding and sanding operation (Fig. 14)

ALWAYS hold the tool firmly with one hand on rear handle and the other on the side handle. Turn the tool on and then apply the wheel or disc to the workpiece.

In general, keep the edge of the wheel or disc at an angle of about 15 degrees to the workpiece surface.

During the break-in period with a new wheel, do not work the grinder in the B direction or it will cut into the workpiece. Once the edge of the wheel has been rounded off by use, the wheel may be worked in both A and B direction.

MAINTENANCE

CAUTION:

- Always be sure that the tool is switched off and unplugged before attempting to perform inspection or maintenance.

The tool and its air vents have to be kept clean.

Regularly clean the tool's air vents or whenever the vents start to become obstructed. (Fig. 15)

Replacing carbon brushes (Fig. 16)

Remove and check the carbon brushes regularly. Replace when they wear down to the limit mark. Keep the carbon brushes clean and free to slip in the holders. Both carbon brushes should be replaced at the same time. Use only identical carbon brushes.

Use a screwdriver to remove the brush holder caps.

Take out the worn carbon brushes, insert the new ones and secure the brush holder caps. (Fig. 17)

After replacing brushes, plug in the tool and break in brushes by running tool with no load for about 10 minutes.

Then check the tool while running and electric brake operation when releasing the switch trigger. If electric brake is not working well, ask your local Makita service center for repair. (For models GA5020/GA6020)

To maintain product SAFETY and RELIABILITY, repairs, any other maintenance or adjustment should be performed by Makita Authorized Service Centers, always using Makita replacement parts.

ACCESSORIES

CAUTION:

- These accessories or attachments are recommended for use with your Makita tool specified in this manual. The use of any other accessories or attachments might present a risk of injury to persons. Only use accessory or attachment for its stated purpose.
- Your tool is supplied with a guard for use with a depressed center grinding wheel, multi-disc and wire wheel brush. A cut-off wheel can also be used with an optional guard. If you decide to use your Makita grinder with approved accessories which you purchase from your Makita distributor or service center, be sure to obtain and use all necessary fasteners and guards as recommended in this manual. Your failure to do so could result in personal injury to you and others.

If you need any assistance for more details regarding these accessories, ask your local Makita Service Center.

- Wheel guard (Wheel cover)
- Inner flange
- Depressed center wheels
- Lock nut (For depressed center wheel)
- Rubber pad
- Abrasive discs
- Lock nut (For abrasive disc)
- Lock nut wrench
- Wire cup brush
- Side grip
- Loop handle
- Dust cover

For Model GA5020

For European countries only

Noise

ENG102-2

The typical A-weighted noise level determined according to EN60745:

- Sound pressure level (L_{pA}): 89 dB (A)
- Sound power level (L_{WA}): 100 dB (A)
- Uncertainty (K): 3 dB (A)

Wear ear protection.

Vibration

ENG208-4

The vibration total value (tri-axial vector sum) determined according to EN60745:

- Work mode: surface grinding
- Vibration emission ($a_{h,AG}$): 9 m/s²
- Uncertainty (K): 1.5 m/s²

Cutting-off or wire brushing may have different vibration emission values.

For Model GA5021**For European countries only****Noise** ENG102-2

The typical A-weighted noise level determined according to EN60745:

Sound pressure level (L_{pA}): 90 dB (A)

Sound power level (L_{WA}): 101 dB (A)

Uncertainty (K): 3 dB (A)

Wear ear protection.

Vibration ENG208-4

The vibration total value (tri-axial vector sum) determined according to EN60745:

Work mode: surface grinding

Vibration emission ($a_{h,AG}$): 13.5 m/s²

Uncertainty (K): 1.5 m/s²

Cutting-off or wire brushing may have different vibration emission values.

For Model GA6020**For European countries only****Noise** ENG102-2

The typical A-weighted noise level determined according to EN60745:

Sound pressure level (L_{pA}): 89 dB (A)

Sound power level (L_{WA}): 100 dB (A)

Uncertainty (K): 3 dB (A)

Wear ear protection.

Vibration ENG208-4

The vibration total value (tri-axial vector sum) determined according to EN60745:

Work mode: surface grinding

Vibration emission ($a_{h,AG}$): 10 m/s²

Uncertainty (K): 1.5 m/s²

Cutting-off or wire brushing may have different vibration emission values.

For Model GA6021**For European countries only****Noise** ENG102-2

The typical A-weighted noise level determined according to EN60745:

Sound pressure level (L_{pA}): 89 dB (A)

Sound power level (L_{WA}): 100 dB (A)

Uncertainty (K): 3 dB (A)

Wear ear protection.

Vibration ENG208-4

The vibration total value (tri-axial vector sum) determined according to EN60745:

Work mode: surface grinding

Vibration emission ($a_{h,AG}$): 6.5 m/s²

Uncertainty (K): 1.5 m/s²

Cutting-off or wire brushing may have different vibration emission values.

For Model GA5020C**For European countries only****Noise** ENG102-2

The typical A-weighted noise level determined according to EN60745:

Sound pressure level (L_{pA}): 90 dB (A)

Sound power level (L_{WA}): 101 dB (A)

Uncertainty (K): 3 dB (A)

Wear ear protection.

Vibration ENG208-4

The vibration total value (tri-axial vector sum) determined according to EN60745:

Work mode: surface grinding

Vibration emission ($a_{h,AG}$): 9.5 m/s²

Uncertainty (K): 1.5 m/s²

Cutting-off or wire brushing may have different vibration emission values.

For Model GA5021C**For European countries only****Noise** ENG102-2

The typical A-weighted noise level determined according to EN60745:

Sound pressure level (L_{pA}): 90 dB (A)

Sound power level (L_{WA}): 101 dB (A)

Uncertainty (K): 3 dB (A)

Wear ear protection.

Vibration ENG208-4

The vibration total value (tri-axial vector sum) determined according to EN60745:

Work mode: surface grinding

Vibration emission ($a_{h,AG}$): 8.5 m/s²

Uncertainty (K): 1.5 m/s²

Cutting-off or wire brushing may have different vibration emission values.

For Model GA6020C**For European countries only****Noise** ENG102-2

The typical A-weighted noise level determined according to EN60745:

Sound pressure level (L_{pA}): 91 dB (A)

Sound power level (L_{WA}): 102 dB (A)

Uncertainty (K): 3 dB (A)

Wear ear protection.

Vibration ENG208-4

The vibration total value (tri-axial vector sum) determined according to EN60745:

Work mode: surface grinding

Vibration emission ($a_{h,AG}$): 9.0 m/s²

Uncertainty (K): 1.5 m/s²

Cutting-off or wire brushing may have different vibration emission values.

For Model GA6021C**For European countries only****Noise** ENG102-2

The typical A-weighted noise level determined according to EN60745:

Sound pressure level (L_{pA}): 90 dB (A)

Sound power level (L_{WA}): 101 dB (A)

Uncertainty (K): 3 dB (A)

Wear ear protection.

Vibration ENG208-4

The vibration total value (tri-axial vector sum) determined according to EN60745:

Work mode: surface grinding

Vibration emission ($a_{h,AG}$): 8.5 m/s²

Uncertainty (K): 1.5 m/s²

Cutting-off or wire brushing may have different vibration emission values.

We Makita Corporation as the responsible manufacturer declare that the following Makita machine(s):

Designation of Machine: Angle Grinder
Model No./ Type: GA5020/C, GA5021/C, GA6020/C,
GA6021/C

are of series production and

Conforms to the following European Directives:

98/37/EC until 28th December 2009 and then with
2006/42/EC from 29th December 2009

And are manufactured in accordance with the following
standards or standardised documents:

EN60745

The technical documentation is kept by our authorized
representative in Europe who is:

Makita International Europe Ltd,
Michigan, Drive, Tongwell,
Milton Keynes, MK15 8JD, England

30th January 2009



Tomoyasu Kato
Director

Makita Corporation
3-11-8, Sumiyoshi-cho,
Anjo, Aichi, JAPAN

Description de la vue générale

- | | | |
|------------------------------------------------------|---------------------------------------|------------------------------|
| 1. Blocage de l'arbre | 9. Poignée en arceau | 18. Flasque intérieur |
| 2. Bouton de verrouillage / Bouton de sécurité | 10. Clé hexagonale | 19. Clé à contre-écrou |
| 3. Gâchette (type A) | 11. Boulon | 20. Sortie d'air |
| 4. Bouton de sécurité | 12. Carter de meule | 21. Entrée d'air |
| 5. Gâchette (type B) | 13. Vis | 22. Repère d'usure |
| 6. Voyant | 14. Boîtier d'engrenages | 23. Bouchon de porte-charbon |
| 7. Saillie de la poignée en arceau | 15. Levier | 24. Tournevis |
| 8. Orifice correspondant dans le carter d'engrenages | 16. Contre-écrou | |
| | 17. Meule à moyeu déporté multidisque | |

CARACTERISTIQUES

Modèle	GA5020	GA5021	GA5020C/ GA5021C	GA6020	GA6021	GA6020C/ GA6021C
Diamètre de la meule à moyeu déporté	125 mm	125 mm	125 mm	150 mm	150 mm	150 mm
Filetage de l'axe	M14	M14	M14	M14	M14	M14
Vitesse à vide (n ₀)/Vitesse nominale (n)	11 000 min ⁻¹	11 000 min ⁻¹	10 000 min ⁻¹	10 000 min ⁻¹	10 000 min ⁻¹	9 000 min ⁻¹
Longueur totale	356 mm	384 mm	390 mm	356 mm	384 mm	390 mm
Poids net	2,7 kg	2,7 kg	2,9 kg	3,0 kg	2,8 kg	3,0 kg
Niveau de sécurité	☐/II					

- Étant donné l'évolution constante de notre programme de recherche et de développement, les caractéristiques contenues dans ce manuel sont sujettes à modification sans préavis.
- Les spécifications peuvent varier suivant les pays.
- Poids conforme à la procédure EPTA 01/2003

Utilisations

ENE048-1

L'outil est conçu pour le meulage, le ponçage et la coupe du métal et de la pierre sans utilisation d'eau.

Alimentation

ENF002-1

L'outil ne devra être raccordé qu'à une alimentation de la même tension que celle qui figure sur la plaque signalétique, et il ne pourra fonctionner que sur un courant secteur monophasé. Réalisé avec une double isolation, il est conforme à la réglementation européenne et peut de ce fait être alimenté sans mise à la terre.

CONSIGNES DE SÉCURITÉ SPÉCIFIQUES

GEB033-2

NE vous laissez PAS tromper (au fil d'une utilisation répétée) par un sentiment d'aisance et de familiarité avec le produit, en négligeant le respect rigoureux des consignes de sécurité qui accompagnent l'outil.

En utilisant cet outil dans des conditions dangereuses ou incorrectes, vous vous exposez à un risque de blessure grave.

Consignes de sécurité pour des opérations de meulage, ponçage, broissage avec brosse métallique ou tronçonnage :

1. **Cet outil électrique est prévu pour fonctionner comme un outil de meulage, ponçage, tronçonnage ou broissage à brosse métallique. Lisez tous les avertissements concernant la sécurité, les instructions, les illustrations et les caractéristiques fournis avec cet outil électrique.** Il y a risque d'électrocution, d'incendie et/ou de blessures graves si les instructions énumérées ci-dessous ne sont pas respectées.
2. **Les opérations comme le polissage sont déconseillées avec cet outil électrique.** Les opérations pour lesquelles l'outil électrique n'a pas été conçu peuvent générer un danger et occasionner des blessures.
3. **N'utilisez pas des accessoires qui ne sont pas spécifiquement conçus et recommandés par le fabricant d'outils.** Le simple fait que l'accessoire puisse être fixé à votre outil électrique ne signifie pas que le fonctionnement sera sécurisé.
4. **La vitesse nominale de l'accessoire doit être au moins égale à la vitesse maximale indiquée sur l'outil électrique.** Des accessoires fonctionnant plus rapidement que leur vitesse nominale risquent de se casser et de voler en éclats.
5. **Le diamètre externe et l'épaisseur de votre accessoire doivent correspondre à la puissance nominale de votre outil électrique.** Des accessoires aux dimensions inappropriées ne peuvent pas être protégés ou contrôlés correctement.
6. **La taille de tonnelle des roues, flasques, patins de renfort ou autre accessoire doit s'adapter correctement à l'axe de l'outil.** Les accessoires comportant des orifices de tonnelle qui ne correspondent pas au matériel de montage de l'outil électrique seront déséquilibrés et subiront des vibrations excessives, ce qui peut occasionner une perte de contrôle.
7. **N'utilisez pas d'accessoire endommagé. Avant chaque utilisation, vérifiez que les accessoires,**

comme les meules à tronçonner, ne comportent pas de copeaux et de craquellements, que les patins de renfort ne sont pas craquelés, déchirés ou excessivement usés et que les fils de la brosse métallique ne sont pas lâches ou craqués. En cas de chute de l'outil électrique ou de l'accessoire, vérifiez qu'il n'est pas abîmé ou installez un accessoire en bon état. Après l'inspection et l'installation d'un accessoire, positionnez-vous ainsi que les spectateurs à distance du plan de rotation de l'accessoire et faites fonctionner l'outil électrique à la vitesse maximale à vide pendant une minute. Normalement, tout accessoire endommagé se brisera au cours de ce temps d'essai.

8. **Portez un équipement de protection corporelle. En fonction de l'application, utilisez un écran facial, des lunettes étanches ou des lunettes de protection. Si nécessaire, portez un masque anti-poussières, des protège-tympans, des gants et un tablier d'atelier capable d'arrêter les petits fragments abrasifs ou des morceaux de la pièce à travailler.** La protection pour les yeux doit pouvoir stopper les projections de débris générées par diverses opérations. Le masque anti-poussières ou respirateur doit pouvoir filtrer les particules générées par votre opération. Une exposition prolongée à un bruit haute intensité peut entraîner une perte auditive.
9. **Gardez les spectateurs à une distance de sécurité de la zone de travail. Quiconque pénètre dans la zone de travail doit porter un équipement de protection corporelle.** Des fragments de pièces à travailler ou d'un accessoire cassé peuvent être projetés hors de la zone de travail immédiate et entraîner des blessures.
10. **Ne tenez l'outil électrique que par ses surfaces de poigne isolées lorsque vous effectuez une opération au cours de laquelle l'accessoire de découpe peut entrer en contact avec des fils dissimulés ou avec le cordon de l'outil.** Le contact avec un fil sous tension mettra les parties métalliques exposées de l'outil sous tension, causant ainsi un choc électrique chez l'utilisateur.
11. **Éloignez le cordon de l'accessoire rotatif.** Si vous perdez le contrôle, le cordon peut être coupé ou accroché et l'accessoire rotatif risque d'attraper votre main ou votre bras.
12. **Ne posez jamais l'outil électrique à terre tant que l'accessoire ne s'est pas complètement arrêté.** L'accessoire rotatif peut accrocher la surface et vous risquez de perdre le contrôle de l'outil électrique.
13. **Ne faites pas tourner l'outil électrique si vous le transportez à côté de vous.** Un contact accidentel avec l'accessoire rotatif pourrait accrocher vos vêtements et attirer l'accessoire vers votre corps.
14. **Nettoyez régulièrement les aérations de l'outil électrique.** Le ventilateur du moteur tirera la poussière à l'intérieur du logement et une accumulation excessive de poudre métallique peut entraîner des chocs électriques.
15. **Ne faites pas fonctionner l'outil électrique à proximité de matériaux inflammables.** Les étincelles risquent d'enflammer ces matériaux.
16. **N'utilisez pas d'accessoires qui nécessitent des liquides de refroidissement.** L'utilisation d'eau ou de

liquides de refroidissement peut entraîner une électrocution ou un choc électrique.

Rebond et avertissements afférents

Le rebond est une réaction soudaine suite à un pincement ou accrochage d'une roue en rotation, d'un patin de renfort, d'une brosse ou d'un autre accessoire. Un pincement ou un accrochage peut entraîner le calage rapide de l'accessoire rotatif, ce qui peut alors forcer l'outil électrique hors de contrôle à tourner dans la direction opposée au sens de rotation de l'accessoire, jusqu'à ce qu'ils se bloquent.

Par exemple, si une meule est accrochée ou pincée par la pièce à travailler, le rebord de la meule qui entraine dans le point de pincement peut creuser dans la surface du matériau, ce qui peut faire sortir la meule. La meule risque de sauter en direction de l'opérateur ou dans la direction opposée, selon le sens de rotation de la meule au niveau du point de pincement. Les meules peuvent également se casser dans certaines conditions.

Le rebond est dû à une mauvaise utilisation de l'outil et/ou à des procédures ou conditions de travail inappropriées. Il peut être évité en prenant les mesures appropriées, telles que celles indiquées ci-dessous.

- a) **Maintenez une prise ferme sur l'outil électrique et positionnez votre corps et vos bras de façon à pouvoir résister aux forces du rebond. Utilisez toujours une poignée auxiliaire, le cas échéant, pour contrôler au maximum les rebonds ou la réaction du couple au démarrage.** L'opérateur peut contrôler les réactions du couple ou les forces du rebond s'il prend les précautions nécessaires.
- b) **Ne placez jamais la main à proximité de l'accessoire rotatif.** L'accessoire risque de rebondir sur votre main.
- c) **Ne positionnez pas votre corps dans la zone où l'outil électrique se déplacera en cas de rebond.** Le rebond propulsera l'outil dans la direction opposée au mouvement de la meule, au point d'accrochage.
- d) **Soyez particulièrement prudent lorsque vous travaillez dans des recoins, sur des rebords tranchants, etc. Évitez de faire rebondir ou d'accrocher l'accessoire.** Les recoins, les rebords tranchants ou les rebonds ont tendance à accrocher l'accessoire rotatif et à provoquer une perte de contrôle ou un rebond.
- e) **Ne fixez pas une lame de sculpteur à chaîne coupante ou une lame de scie dentée.** De telles lames peuvent créer des retours de choc fréquents et une perte de contrôle.

Consignes de sécurité spécifiques aux opérations de meulage et de tronçonnage :

- a) **N'utilisez que les types de meules qui sont recommandées pour votre outil électrique et la protection spécifique conçue pour la meule sélectionnée.** Les meules pour lesquelles l'outil électrique n'a pas été conçu ne peuvent pas être protégées de manière adéquate et ne sont pas sûres.
- b) **Il faut fixer fermement la protection à l'outil électrique et la positionner pour une sécurité maximale, de manière à exposer la meule au minimum en direction de l'opérateur.** La protection permet de protéger l'opérateur contre les fragments de meule et un contact accidentel avec la meule.

- c) **Les meules doivent être utilisées uniquement pour les applications recommandées. Par exemple : ne meulez avec la face latérale de la meule à tronçonner.** Les meules à tronçonner sont conçues pour un meulage périphérique, les forces latérales appliquées à ces meules peuvent les briser.
- d) **Utilisez toujours des flasques de meule en bon état dont la taille et la forme sont adaptées à la meule que vous avez choisie.** Des flasques de meule appropriés soutiennent la meule, réduisant ainsi le risque de cassure de la meule. Les flasques pour les meules à tronçonner peuvent être différents des flasques de meule.
- e) **N'utilisez pas des meules usées issues d'outils électriques plus grands.** Les meules conçues pour de grands outils électriques ne conviennent pas en cas de vitesse élevée d'un outil plus petit et elles risquent d'exploser.

Consignes de sécurité supplémentaires spécifiques aux opérations de tronçonnage :

- a) **Ne bloquez pas la meule à tronçonner et n'appliquez pas de pression excessive. Ne tentez pas d'effectuer une découpe d'une profondeur excessive.** Une surcharge de la meule augmente la charge et la susceptibilité aux torsions ou coincements de la meule lors de la découpe ainsi que le risque de rebond ou de cassure de la meule.
- b) **Ne positionnez pas votre corps en ligne avec et derrière la meule en mouvement.** Quand la meule, au niveau du point de fonctionnement, s'écarte de votre corps, le retour de choc éventuel peut propulser la meule en rotation et l'outil électrique directement sur vous.
- c) **Lorsque la meule se coince ou lors de l'interruption d'une découpe, quelle qu'en soit la raison, éteignez l'outil électrique et maintenez-le immobile jusqu'à ce que la meule s'arrête complètement. Ne tentez jamais de retirer la meule à tronçonner de la coupe quand la meule est en mouvement, sans quoi un rebond risque de se produire.** Identifiez la cause du coincement de la lame et prenez les mesures correctives pour éliminer ladite cause.
- d) **Ne reprenez pas l'opération de découpe dans la pièce à travailler. Laissez la meule atteindre sa vitesse pleine et rentrez à nouveau dans la coupe avec prudence.** La meule peut se coincer, retourner en arrière ou rebondir si l'outil électrique est redémarré dans la pièce à travailler.
- e) **Soutenez les panneaux ou une pièce à travailler de taille excessive pour minimiser les risques de pincement et de rebond de la meule.** Les pièces à travailler de grande dimension ont tendance à s'affaisser sous leur propre poids. Des dispositifs de soutien doivent être installés sous la pièce à travailler, à proximité de la ligne de coupe et des rebords de la pièce à travailler, de chaque côté de la meule.
- f) **Soyez extrêmement prudent lorsque vous effectuez une coupe en plongée dans un mur ou toute autre surface derrière laquelle peuvent se trouver des objets non visibles.** La meule en saillie peut couper des conduites de gaz ou d'eau, des fils

électriques ou des objets qui peuvent provoquer un rebond.

Consignes de sécurité particulières aux opérations de ponçage :

- a) **N'utilisez pas de disque de ponçage aux dimensions excessives. Suivez les conseils des fabricants pour sélectionner le papier de verre.** Un papier de verre trop grand qui dépasse du patin de ponçage présente des risques de laceration et peut entraîner un accrochage ou un déchirement du disque ou un retour de choc.

Consignes de sécurité spécifiques aux opérations à la brosse métallique :

- a) **N'oubliez pas que la brosse rejette des fils métalliques, même lors d'un fonctionnement normal. Ne surchargez pas les fils en appliquant une charge excessive sur la brosse.** Les fils métalliques peuvent facilement transpercer des vêtements légers et/ou la peau.
- b) **S'il est conseillé d'utiliser une protection contre la brosse métallique, ne laissez pas la brosse métallique à touret ou la brosse interférer avec la protection.** Le diamètre de la brosse métallique à touret ou de la brosse peut s'agrandir en raison de la charge de travail et des forces centrifuges.

Autres avertissements de sécurité :

17. **Lors de l'utilisation de meules à moyeu déporté, assurez-vous d'utiliser exclusivement des meules renforcées de fibre de verre.**
18. **Prenez garde de ne pas endommager l'axe, le flasque (tout particulièrement la surface d'installation) ou le contre-écrou. La meule risque de casser si ces pièces sont endommagées.**
19. **Assurez-vous que la meule n'entre pas en contact avec la pièce à travailler avant de mettre l'outil sous tension.**
20. **Avant d'utiliser l'outil sur la pièce elle-même, laissez-le tourner un instant. Soyez attentif à toute vibration ou sautellement pouvant indiquer que la meule n'est pas bien installée ou qu'elle est mal équilibrée.**
21. **Utilisez la face spécifiée de la meule pour meuler.**
22. **Prenez garde aux étincelles qui jaillissent. Tenez l'outil de sorte que les étincelles ne jaillissent pas vers vous, vers une personne présente ou vers un matériau inflammable.**
23. **N'abandonnez pas l'outil alors qu'il tourne. Ne faites fonctionner l'outil qu'une fois que vous l'avez bien en main.**
24. **Ne touchez jamais la pièce juste après l'opération ; elle peut être extrêmement chaude et vous risquez de vous brûler.**
25. **Assurez-vous toujours que l'outil est hors tension et débranché ou que la cartouche de batterie est retirée avant d'effectuer toute intervention sur l'outil.**
26. **Pour installer et utiliser correctement la meule, veuillez suivre les instructions du fabricant. Manipulez les meules avec soin et rangez-les en lieu sûr.**
27. **N'utilisez aucun raccord de réduction ou adaptateur séparé pour adapter un trou de meule trop grand.**

28. Utilisez exclusivement les flasques spécifiés pour cet outil.
29. Dans le cas des outils conçus pour l'utilisation avec une meule à trou fileté, assurez-vous que la longueur du filetage de la meule convient à la longueur de l'axe.
30. Assurez-vous que la pièce à travailler est correctement soutenue.
31. Gardez à l'esprit que la meule continue de tourner même une fois le contact coupé sur l'outil.
32. Si le site de travail est extrêmement chaud et humide ou s'il y a beaucoup de poussières conductrices dans l'air, utilisez un coupe-circuit (30 mA) pour assurer votre sécurité.
33. N'utilisez l'outil sur aucun matériau contenant de l'amiante.
34. N'utilisez ni eau ni lubrifiant de meulage.
35. Assurez-vous que les orifices de ventilation sont toujours bien dégagés lorsque vous travaillez dans des conditions poussiéreuses. Lorsqu'il devient nécessaire de retirer la poussière accumulée, commencez par débrancher l'outil de la prise secteur (utilisez un objet non métallique) et veillez à ne pas endommager les pièces internes.
36. Lorsque vous utilisez une meule à tronçonner, travaillez toujours avec le carter de collecte des poussières exigé par la réglementation locale.
37. Aucune pression latérale ne doit être appliquée sur le disque pendant la coupe.

AVERTISSEMENT :

Une UTILISATION INCORRECTE de l'outil ou un non-respect des consignes de sécurité indiquées dans ce manuel d'instructions peut causer des blessures graves.

CONSERVEZ CES INSTRUCTIONS.

DESCRIPTION DU FONCTIONNEMENT

ATTENTION :

- Assurez-vous toujours que l'outil est éteint et débranché avant de l'ajuster ou de vérifier son fonctionnement.

Blocage de l'arbre (Fig. 1)

ATTENTION :

- N'activez jamais le blocage de l'arbre alors que l'axe bouge. Vous pourriez endommager l'outil.

Appuyez sur le blocage de l'arbre pour empêcher l'axe de tourner lors de l'installation ou du retrait des accessoires.

Interrupteur

ATTENTION :

- Avant de brancher l'outil, vérifiez toujours que la gâchette fonctionne correctement et revient en position d'arrêt (« OFF ») lorsqu'elle est relâchée.

Pour l'outil avec la gâchette de type A (Fig. 2)

Pour un outil sans bouton de blocage ni bouton de verrouillage

Pour mettre l'outil en marche, appuyez simplement sur la gâchette. Pour l'arrêter, relâchez la gâchette.

Pour outil disposant d'un bouton de verrouillage

Un bouton de sécurité est prévu pour prévenir la pression accidentelle sur la gâchette. Pour faire démarrer l'outil, enfoncez le bouton de sécurité puis appuyez sur la gâchette. Pour l'arrêter, relâchez la gâchette. Pour un fonctionnement continu, enfoncez le bouton de sécurité appuyez sur la gâchette puis enfoncez plus le bouton de sécurité dans. Pour arrêter l'outil alors qu'il est en position verrouillée, appuyez à fond sur la gâchette puis relâchez-la.

Pour les outils avec bouton de sécurité

Pour éviter tout déclenchement accidentel de la gâchette, l'outil est muni d'un bouton de sécurité.

Pour démarrer l'outil, enfoncez le bouton de sécurité puis appuyez sur la gâchette. Pour l'arrêter, relâchez la gâchette.

Pour l'outil avec la gâchette de type B (Fig. 3)

Pour l'outil équipé d'un commutateur de verrouillage

Pour mettre l'outil en marche, appuyez simplement sur la gâchette (A).

Pour l'arrêter, relâchez la gâchette. Pour un fonctionnement continu, appuyez sur la gâchette (A) puis enfoncez le bouton de verrouillage (B). Pour arrêter l'outil alors qu'il est en position verrouillée, appuyez à fond sur la gâchette (A) puis relâchez-la.

Pour les outils équipés d'un commutateur de sécurité

Un bouton de sécurité est prévu pour prévenir la pression accidentelle sur la gâchette. Pour faire démarrer l'outil, enfoncez le bouton de sécurité (B) puis appuyez sur la gâchette (A). Pour l'arrêter, relâchez la gâchette.

Pour les outils équipés d'un commutateur de sécurité et d'un commutateur de verrouillage

Un bouton de sécurité est prévu pour prévenir la pression accidentelle sur la gâchette. Pour faire démarrer l'outil, enfoncez le bouton de sécurité (B) puis appuyez sur la gâchette (A). Pour l'arrêter, relâchez la gâchette. Pour un fonctionnement continu, enfoncez le bouton de sécurité (B) appuyez sur la gâchette puis enfoncez plus le bouton de sécurité dans (B). Pour arrêter l'outil alors qu'il est en position verrouillée, appuyez à fond sur la gâchette (A) puis relâchez-la.

Fonction électronique

Contrôle de la vitesse constante (Pour le modèle

GA5020C, GA5021C, GA6020C, GA6021C)

- Possibilité d'obtenir une très bonne finition, parce que la vitesse de rotation reste constante même sous des conditions de charge.
- En plus, quand la charge sur l'outil excède les niveaux admissibles, la puissance au moteur est réduite pour protéger le moteur de la surchauffe. Quand la charge retourne aux niveaux admissibles, l'outil fonctionnera comme normal.

Caractéristique de démarrage graduel

- Le choc du démarrage est supprimé grâce au démarrage graduel.

Voyant (Fig. 4)

Le voyant vert de mise sous tension s'allume lorsque l'outil est branché. Si le voyant ne s'allume pas, il se peut que le cordon d'alimentation ou le contrôleur soit défectueux. Si le voyant est allumé, mais que l'outil ne démarre pas même si vous activez la gâchette, il se peut que les charbons soient usés ou que le contrôleur, le moteur ou l'interrupteur MARCHE/ARRÊT soit défectueux.

Sécurité de redémarrage inintentionnel

Même en verrouillant le levier gardant la gâchette enfoncée (position verrouillée) ne permet pas de redémarrer même lorsque l'outil est branché. A cet instant le voyant clignote rouge et affiche que l'appareil de sécurité contre le redémarrage inintentionnel est en cours de fonctionnement. Pour l'annuler, poussez à fond la gâchette, puis relâchez-la.

ASSEMBLAGE

ATTENTION :

- Avant d'effectuer toute intervention sur l'outil, assurez-vous toujours qu'il est éteint et débranché.

Installation de la poignée latérale (manche) (Fig. 5)

ATTENTION :

- Avant d'utiliser l'outil, assurez-vous toujours que la poignée latérale est installée de façon sûre. Vissez la poignée latérale à fond sur la position prévue à cet effet sur l'outil, comme illustré sur la figure.

Montage de la poignée en arceau (accessoire)

ATTENTION :

- Avant d'utiliser l'outil, assurez-vous toujours que la poignée en arceau est installée de façon sûre. (Fig. 6)
- Montez toujours la poignée en arceau sur l'outil avant usage. Maintenez fermement la poignée de l'interrupteur de l'outil et la poignée en arceau des deux mains pendant l'utilisation.
- Montez la poignée en arceau de telle façon que sa partie saillante s'adapte dans l'orifice correspondant dans le carter d'engrenages.
- Montez les boulons et serrez-les à l'aide d'une clé hexagonale.
- Le poignée en arceau peut être montée dans deux directions différentes, comme illustré, en fonction de ce qui est le plus pratique pour votre travail. (Fig. 7 et 8)

Installation ou retrait du carter de meule

ATTENTION :

- Lors de l'utilisation d'une meule à moyeu déportée/multidisque, d'une meule flexible ou d'une meule à tronçonner, le carter de meule doit être ajusté sur l'outil de sorte que la partie de la meule qui se trouve du côté de l'utilisateur soit toujours recouverte par le carter.

Pour les outils avec un carter de meule de type à vis de verrouillage (Fig. 9)

Montez le carter de meule en alignant la partie saillante de la bande du carter sur l'entaille du boîtier d'engrenage. Faites ensuite tourner le carter de meule de 180 degrés dans le sens inverse des aiguilles d'une montre. Vous devez serrer la vis fermement.

Pour retirer le carter de meule, suivez la procédure d'installation en ordre inverse.

Pour les outils avec un carter de meule de type levier à bride (Fig. 10 et 11)

Desserrez le levier sur le carter de meule après avoir desserré l'écrou. Montez le carter de meule en alignant la partie saillante de la bande du carter sur l'entaille du boîtier d'engrenage. Faites ensuite tourner le carter de meule dans le sens indiqué sur la figure. Serrez le levier pour fixer le carter de meule. Si le levier est trop serré ou trop lâche pour permettre de fixer le carter de meule, desserrez ou serrez l'écrou afin d'ajuster le serrage de la bande du carter de meule.

Pour retirer le carter de meule, suivez la procédure d'installation en ordre inverse.

Installation ou retrait de la meule à moyeu déportée/multidisque (accessoire)

AVERTISSEMENT :

- Utilisez toujours le carter de meule fourni lorsque la meule à moyeu déportée/multidisque est installée sur l'outil. Comme la meule peut se rompre pendant l'utilisation, le carter de meule réduit les risques de blessure. (Fig. 12)

Montez le flasque intérieur sur l'axe. Ajustez la meule/le disque sur le flasque intérieur et vissez le contre-écrou sur l'axe.

Pour serrer le contre-écrou, appuyez fermement sur le blocage de l'arbre pour empêcher l'axe de tourner, puis utilisez la clé à contre-écrou pour serrer fermement dans le sens des aiguilles d'une montre. (Fig. 13)

Pour retirer la meule, suivez la procédure d'installation dans l'ordre inverse.

UTILISATION

AVERTISSEMENT :

- Il n'est jamais nécessaire de forcer l'outil. Le poids de l'outil lui-même suffit à assurer une pression adéquate. En forçant l'outil ou en appliquant une pression excessive dessus vous courez le risque dangereux de casser la meule.
- Remplacez TOUJOURS la meule si l'outil vous échappe pendant le meulage.
- Ne frappez JAMAIS le disque de meulage ou la meule contre la pièce à travailler.
- Évitez de laisser la meule sautiller ou accrocher, tout spécialement lorsque vous travaillez dans les coins, sur les bords tranchants, etc. Cela peut causer une perte de contrôle et un choc en retour.
- N'utilisez JAMAIS cet outil avec des lames à bois et autres lames de scie. Les lames de ce type sautent fréquemment lorsqu'elles sont utilisées sur une meuleuse et risquent d'entraîner une perte de contrôle pouvant causer des blessures.

ATTENTION :

- Après l'utilisation, mettez toujours l'outil hors tension et attendez l'arrêt complet de la meule avant de déposer l'outil.

Meulage et ponçage (Fig. 14)

Tenez TOUJOURS l'outil fermement en posant une main sur le manche arrière et l'autre main sur le manche latéral. Mettez l'outil en marche puis posez la meule ou le disque sur la pièce à travailler.

En général, vous devez maintenir le bord de la meule ou du disque sur un angle d'environ 15 degrés par rapport à la surface de la pièce à travailler.

Pendant la période de rodage d'une meule neuve, ne faites pas avancer la meuleuse dans le sens B, sinon elle risque de couper la pièce à travailler. Une fois le tranchant de la meule rodé, la meule peut être utilisée dans les sens A et B.

ENTRETIEN

ATTENTION :

- Assurez-vous toujours que l'outil est éteint et débranché avant d'effectuer tout travail d'inspection ou d'entretien.

L'outil et ses orifices d'aération doivent être maintenus propres.

Nettoyez les orifices d'aération de l'outil régulièrement ou chaque fois qu'ils commencent à se boucher. (Fig. 15)

Remplacement des charbons (Fig. 16)

Retirez et vérifiez les charbons régulièrement. Remplacez-les lorsqu'ils atteignent le repère d'usure. Gardez les charbons propres et assurez-vous qu'ils glissent librement dans les porte-charbons.

Les deux charbons doivent être remplacés en même temps. Utilisez uniquement des charbons identiques. Retirez les bouchons de porte-charbon à l'aide d'un tournevis.

Enlevez les charbons usés, insérez les neufs et remettez en place les bouchons de porte-charbon. (Fig. 17)

Après avoir remplacé les brosses, branchez l'outil et séparez les brosses en faisant tourner l'outil sans aucune charge pendant environ 10 minutes. Ensuite vérifiez l'outil en cours d'exécution et le fonctionnement du frein électrique lors de la relâche de la gâchette. Si le frein électrique ne fonctionne pas bien, demandez à votre centre d'entretien local Makita de le réparer. (Pour les modèles GA5020/GA6020)

Pour assurer la SÉCURITÉ et la FIABILITÉ du produit, toute réparation et tout travail d'entretien ou de réglage doivent être effectués par un Centre de service après-vente agréé Makita, avec des pièces de rechange Makita.

ACCESSOIRES

ATTENTION :

- Ces accessoires ou pièces complémentaires sont recommandés pour l'utilisation avec l'outil Makita spécifié dans ce manuel. L'utilisation de tout autre accessoire ou pièce complémentaire comporte un risque de blessures. Utilisez uniquement l'accessoire ou la pièce complémentaire dans le but spécifié.

- Votre outil est fourni avec un carter pour une utilisation avec une meule à moyeu déporté, multidisque et une meule flexible. Une meule à tronçonner peut aussi être utilisée avec un carter en option. Si vous décidez d'utiliser votre meule Makita avec des accessoires agréés que vous avez achetés chez votre distributeur Makita ou au centre de service après-vente, veillez à obtenir et utiliser tous les carters et pièces de fixation recommandés dans ce manuel. Sinon vous ou d'autres personnes pourriez subir des blessures corporelles.

Pour obtenir plus de détails sur ces accessoires, contactez un Centre de service après-vente local Makita.

- Carter de meule (capot protecteur de la meule)
- Flasque intérieur
- Meules à moyeu déporté
- Contre-écrou (pour meule à moyeu déporté)
- Coussinet en caoutchouc
- Disques abrasifs
- Contre-écrou (pour disque abrasif)
- Clé à contre-écrou
- Brosse coupe métallique
- Poignée latérale
- Poignée en arceau
- Protection anti-poussière

Pour le modèle GA5020

Pour les pays européens uniquement

Bruit ENG102-2

Les niveaux de bruit pondéré A typiques ont été mesurés selon la norme EN60745 :

Niveau de pression sonore (L_{pA}) : 89 dB (A)

Niveau de puissance sonore (L_{WA}) : 100 dB (A)

Incertitude (K) : 3 dB (A)

Portez des protections auditives.

Vibration ENG208-4

La valeur totale de vibration (somme du vecteur triaxial) déterminée selon la norme EN60745 :

Mode de fonctionnement : meulage de surface

Émission de vibrations ($a_{h,AG}$) : 9 m/s²

Incertitude (K) : 1,5 m/s²

Les valeurs d'émission de vibrations peuvent être différentes pour le tronçonnage et le brossage métallique.

Pour le modèle GA5021

Pour les pays européens uniquement

Bruit ENG102-2

Les niveaux de bruit pondéré A typiques ont été mesurés selon la norme EN60745 :

Niveau de pression sonore (L_{pA}) : 90 dB (A)

Niveau de puissance sonore (L_{WA}) : 101 dB (A)

Incertitude (K) : 3 dB (A)

Portez des protections auditives.

Vibration ENG208-4

La valeur totale de vibration (somme du vecteur triaxial) déterminée selon la norme EN60745 :

Mode de fonctionnement : meulage de surface

Émission de vibrations ($a_{h,AG}$) : 13,5 m/s²

Incertitude (K) : 1,5 m/s²

Les valeurs d'émission de vibrations peuvent être différentes pour le tronçonnage et le brossage métallique.

Pour le modèle GA6020

Pour les pays européens uniquement

Bruit ENG102-2

Les niveaux de bruit pondéré A typiques ont été mesurés selon la norme EN60745 :

Niveau de pression sonore (L_{pA}) : 89 dB (A)

Niveau de puissance sonore (L_{WA}) : 100 dB (A)

Incertitude (K) : 3 dB (A)

Portez des protections auditives.

Vibration ENG208-4

La valeur totale de vibration (somme du vecteur triaxial) déterminée selon la norme EN60745 :

Mode de fonctionnement : meulage de surface

Émission de vibrations ($a_{h,AG}$) : 10 m/s²

Incertitude (K) : 1,5 m/s²

Les valeurs d'émission de vibrations peuvent être différentes pour le tronçonnage et le brossage métallique.

Pour le modèle GA6021

Pour les pays européens uniquement

Bruit ENG102-2

Les niveaux de bruit pondéré A typiques ont été mesurés selon la norme EN60745 :

Niveau de pression sonore (L_{pA}) : 89 dB (A)

Niveau de puissance sonore (L_{WA}) : 100 dB (A)

Incertitude (K) : 3 dB (A)

Portez des protections auditives.

Vibration ENG208-4

La valeur totale de vibration (somme du vecteur triaxial) déterminée selon la norme EN60745 :

Mode de fonctionnement : meulage de surface

Émission de vibrations ($a_{h,AG}$) : 6,5 m/s²

Incertitude (K) : 1,5 m/s²

Les valeurs d'émission de vibrations peuvent être différentes pour le tronçonnage et le brossage métallique.

Pour le modèle GA5020C

Pour les pays européens uniquement

Bruit ENG102-2

Les niveaux de bruit pondéré A typiques ont été mesurés selon la norme EN60745 :

Niveau de pression sonore (L_{pA}) : 90 dB (A)

Niveau de puissance sonore (L_{WA}) : 101 dB (A)

Incertitude (K) : 3 dB (A)

Portez des protections auditives.

Vibration ENG208-4

La valeur totale de vibration (somme du vecteur triaxial) déterminée selon la norme EN60745 :

Mode de fonctionnement : meulage de surface

Émission de vibrations ($a_{h,AG}$) : 9,5 m/s²

Incertitude (K) : 1,5 m/s²

Les valeurs d'émission de vibrations peuvent être différentes pour le tronçonnage et le brossage métallique.

Pour le modèle GA5021C

Pour les pays européens uniquement

Bruit ENG102-2

Les niveaux de bruit pondéré A typiques ont été mesurés selon la norme EN60745 :

Niveau de pression sonore (L_{pA}) : 90 dB (A)

Niveau de puissance sonore (L_{WA}) : 101 dB (A)

Incertitude (K) : 3 dB (A)

Portez des protections auditives.

Vibration ENG208-4

La valeur totale de vibration (somme du vecteur triaxial) déterminée selon la norme EN60745 :

Mode de fonctionnement : meulage de surface

Émission de vibrations ($a_{h,AG}$) : 8,5 m/s²

Incertitude (K) : 1,5 m/s²

Les valeurs d'émission de vibrations peuvent être différentes pour le tronçonnage et le brossage métallique.

Pour le modèle GA6020C

Pour les pays européens uniquement

Bruit ENG102-2

Les niveaux de bruit pondéré A typiques ont été mesurés selon la norme EN60745 :

Niveau de pression sonore (L_{pA}) : 91 dB (A)

Niveau de puissance sonore (L_{WA}) : 102 dB (A)

Incertitude (K) : 3 dB (A)

Portez des protections auditives.

Vibration ENG208-4

La valeur totale de vibration (somme du vecteur triaxial) déterminée selon la norme EN60745 :

Mode de fonctionnement : meulage de surface

Émission de vibrations ($a_{h,AG}$) : 9,0 m/s²

Incertitude (K) : 1,5 m/s²

Les valeurs d'émission de vibrations peuvent être différentes pour le tronçonnage et le brossage métallique.

Pour le modèle GA6021C

Pour les pays européens uniquement

Bruit ENG102-2

Les niveaux de bruit pondéré A typiques ont été mesurés selon la norme EN60745 :

Niveau de pression sonore (L_{pA}) : 90 dB (A)

Niveau de puissance sonore (L_{WA}) : 101 dB (A)

Incertitude (K) : 3 dB (A)

Portez des protections auditives.

Vibration ENG208-4

La valeur totale de vibration (somme du vecteur triaxial) déterminée selon la norme EN60745 :

Mode de fonctionnement : meulage de surface

Émission de vibrations ($a_{h,AG}$) : 8,5 m/s²

Incertitude (K) : 1,5 m/s²

Les valeurs d'émission de vibrations peuvent être différentes pour le tronçonnage et le brossage métallique.

Déclaration de conformité CE

ENH101-12

Nous, Makita Corporation, en tant que fabricant responsable, déclarons que les machines Makita suivantes :

Nom de la machine : Meuleuse angulaire

N° de modèle/ Type : GA5020/C, GA5021/C, GA6020/C, GA6021/C

sont fabriqués en série et

sont conformes aux directives européennes suivantes :

98/37/CE jusqu'au 28 décembre 2009 puis, à partir

du 29 décembre 2009, à la 2006/42/CE

et sont produites conformément aux normes ou documents de normalisation suivants :

EN60745

La documentation technique est disponible auprès de notre représentant en Europe qui est :

Makita International Europe Ltd,

Michigan, Drive, Tongwell,

Milton Keynes, MK15 8JD, Angleterre

30 janvier 2009



Tomoyasu Kato
Directeur

Makita Corporation
3-11-8, Sumiyoshi-cho,
Anjo, Aichi, JAPAN

Erklärung der Gesamtdarstellung

- | | | |
|-------------------------------------------|------------------------|----------------------------------------------------|
| 1. Spindelarretierung | 9. Bügelgriff | 17. Gekröpfte Trennschleifscheibe/
Multischeibe |
| 2. Arretiertaste / Entsperrungstaste | 10. Sechskantschlüssel | 18. Innenflansch |
| 3. Auslöseschalter (Typ A) | 11. Bolzen | 19. Sicherungsmutterschlüssel |
| 4. Verriegelungshebel | 12. Schutzhaube | 20. Auslassöffnung |
| 5. Auslöseschalter (Typ B) | 13. Schraube | 21. Einlassöffnung |
| 6. Anzeigenleuchte | 14. Lagergehäuse | 22. Grenzmarkierung |
| 7. Vorsprung für Bügelgriff | 15. Hebel | 23. Bürstenhalterkappe |
| 8. Passende Öffnung im
Antriebsgehäuse | 16. Sicherungsmutter | 24. Schraubendreher |

TECHNISCHE ANGABEN

Modell	GA5020	GA5021	GA5020C/ GA5021C	GA6020	GA6021	GA6020C/ GA6021C
Durchmesser der gekröpften Trennschleifscheibe	125 mm	125 mm	125 mm	150 mm	150 mm	150 mm
Spindelgewinde	M14	M14	M14	M14	M14	M14
Leerlaufdrehzahl (n ₀)/Nenn-drehzahl (n)	11,000 min ⁻¹	11,000 min ⁻¹	10,000 min ⁻¹	10,000 min ⁻¹	10,000 min ⁻¹	9,000 min ⁻¹
Gesamtlänge	356 mm	384 mm	390 mm	356 mm	384 mm	390 mm
Nettogewicht	2,7 kg	2,7 kg	2,9 kg	3,0 kg	2,8 kg	3,0 kg
Sicherheitsklasse	II/III					

- Aufgrund unserer ständigen Forschungen und Entwicklungen sind Änderungen an den hier angegebenen Technischen Daten ohne Vorankündigung vorbehalten.
- Die Angaben können sich je nach Land unterscheiden.
- Gewicht entsprechend der IEC-60335-1:2003

Vorgesehene Verwendung ENE048-1

Das Werkzeug ist für das Schneiden und Schleifen von Metall- und Steinmaterial ohne Verwendung von Wasser vorgesehen.

Stromversorgung ENF002-1

Das Gerät darf nur an Stromquellen mit der auf dem Typenschild angegebenen Spannung und einphasigem Wechselstrom betrieben werden. Aufgrund der Doppelisolierung nach europäischem Standard kann es auch an Steckdosen ohne Erdungskabel betrieben werden.

BESONDERE SICHERHEITSHINWEISE

GEB033-2

Lassen Sie sich **NIE** durch Bequemlichkeit oder (aus fortwährendem Gebrauch gewonnener) Vertrautheit mit dem Gerät dazu verleiten, die Sicherheitsregeln für den Schleifer zu missachten. Wenn Sie dieses Werkzeug fahrlässig oder nicht ordnungsgemäß verwenden, können Sie sich schwer verletzen. Allgemeine Sicherheitshinweise für das Schleifen, Schmirgeln, Drahtbürsten oder Trennschleifen:

1. Dieses Werkzeug wurde für die Verwendung als Schleifmaschine, Schmirgelschleifmaschine, Drahtbürste oder Trennmaschine hergestellt. Lesen Sie alle Sicherheitshinweise, Anweisungen, Abbildungen und Spezifikationen durch, die mit diesem Elektrowerkzeug geliefert wurden. Werden nicht alle der unten aufgeführten Anweisungen

2. **Andere Arbeiten, wie zum Beispiel Polieren, sollten nicht mit diesem Elektrowerkzeug durchgeführt werden.** Bei Arbeiten, für die das Elektrowerkzeug nicht vorgesehen ist, kann es zu gefährlichen Situationen und zu Verletzungen kommen.
3. **Verwenden Sie nur Zubehör, das vom Hersteller des Geräts entwickelt oder vom Hersteller ausdrücklich empfohlen wurde.** Nur weil Sie ein bestimmtes Zubehör am Werkzeug befestigen können, bedeutet dies nicht, dass die Verwendung gefahrlos möglich ist.
4. **Die Nenn-drehzahl des Zubehörs muss mindestens der auf dem Elektrowerkzeug angegebenen Höchstdrehzahl entsprechen.** Zubehör, das mit einer höheren Drehzahl als der zulässigen Drehzahl betrieben wird, kann zerbersten, wobei Teile mit hoher Geschwindigkeit durch die Luft fliegen.
5. **Außendurchmesser und Dicke von Zubehör müssen innerhalb der Nennleistung des Elektrowerkzeugs liegen.** Zubehör in unzulässiger Größe kann nicht angemessen abgedeckt oder betrieben werden.
6. **Schleifscheiben, Flansche, Schleifteller und anderes Zubehör müssen genau auf die Schleifspindel des Elektrowerkzeugs passen.** Zubehörteile mit Spindelöchern, die nicht den Montageteilen des Elektrowerkzeugs entsprechen, laufen exzentrisch, schwingen stark und führen zum Kontrollverlust.

7. **Verwenden Sie kein beschädigtes Zubehör.** Überprüfen Sie vor jeder Verwendung das Zubehör, beispielsweise die Schleifscheiben auf Splitters und Risse, die Stützlager auf Risse, Abrisse oder übermäßigen Verschleiß, Drahtbürsten auf lose oder gebrochene Borsten. Wenn das Elektrowerkzeug oder ein Zubehör zu Boden gefallen sein sollte, überprüfen Sie Werkzeug und Zubehör auf Beschädigungen und tauschen Sie ggf. beschädigte Teile gegen unbeschädigte Teile aus. Positionieren Sie sich selbst und Zuschauer nach dem Überprüfen und Einbauen eines Zubehörs außerhalb der Rotationsebene des Zubehörs und betreiben Sie das Elektrowerkzeug bei maximaler Leerlaufdrehzahl für 1 Minute. Möglicherweise beschädigtes Zubehör würde üblicherweise innerhalb dieser Testzeit zerbersten.
 8. **Tragen Sie eine persönliche Schutzausrüstung.** Tragen Sie je nach Arbeitsaufgabe einen Gesichtsschild oder eine Schutzbrille. Tragen Sie soweit erforderlich Staubmaske, Gehörschutz, Schutzhandschuhe oder Arbeitsschürze, die kleine Schleif- und Materialpartikel von Ihnen fernhält. Der Augenschutz muss umherfliegende Fremdkörper abhalten können, die bei verschiedenen Arbeiten auftreten können. Die Staubmaske oder Atemschutzmaske muss Partikel herausfiltern können, die bei verschiedenen Arbeiten entstehen. Lange und intensive Lärmbelastung kann zu Hörverlust führen.
 9. **Achten Sie darauf, dass Zuschauer den Sicherheitsabstand zum Arbeitsbereich einhalten.** Jeder, der den Arbeitsbereich betritt, muss persönliche Schutzausrüstung tragen. Splitters des Werkstücks oder eines geborstenen Zubehörs können umherfliegen und auch außerhalb des eigentlichen Arbeitsbereichs noch zu Verletzungen führen.
 10. **Halten Sie das Elektrowerkzeug nur an den isolierten Griffflächen, wenn Sie unter Bedingungen arbeiten, bei denen das Schneidwerkzeug versteckte Verkabelung oder das eigene Kabel berühren kann.** Bei Kontakt des Trennwerkzeugs mit einem Strom führenden Kabel wird der Strom an die Metallteile des Elektrowerkzeugs und dadurch an den Bediener weitergeleitet, und der Bediener erleidet einen Stromschlag.
 11. **Halten Sie das Netzkabel von rotierendem Zubehör fern.** Falls Sie die Kontrolle über das Elektrowerkzeug verlieren, kann das Netzkabel durchtrennt oder erfasst werden, oder Ihre Hand oder Ihr Arm kann in das rotierende Zubehör geraten.
 12. **Legen Sie das Elektrowerkzeug erst dann ab, nachdem rotierendes Zubehör völlig zum Stillstand gekommen ist.** Das rotierende Zubehör könnte Kontakt zur Auflagefläche erhalten, sodass Sie die Kontrolle über das Elektrowerkzeug verlieren.
 13. **Lassen Sie das Elektrowerkzeug nicht in Betrieb, während Sie es tragen.** Ihre Kleidung kann durch zufälligen Kontakt mit dem sich drehenden Zubehör erfasst werden, und das Zubehör kann sich in Ihren Körper bohren.
 14. **Reinigen Sie die Lüftungsschlitze des Elektrowerkzeugs regelmäßig.** Der Lüfter des Motors zieht Staub in das Gehäuse, und eine übermäßige Anhäufung pulverisierten Metalls kann eine Brand- oder Stromschlaggefahr darstellen.
 15. **Betreiben Sie das Elektrowerkzeug nicht in der Nähe brennbarer Materialien.** Diese Materialien können durch Funken entflammt werden.
 16. **Verwenden Sie keine Zubehöerteile, die flüssige Kühlmittel benötigen.** Bei Verwendung von Wasser oder anderen flüssigen Kühlmitteln kann es zu einem Stromschlag kommen.
- Rückschläge und entsprechende Warnhinweise**
- Ein „Rückschlag“ ist eine plötzliche Reaktion von sich drehenden Rädern, Polierscheiben, Bürsten oder sonstigen Zubehörschritten, wenn diese auf ein Hindernis stoßen oder eingeklemmt werden. Durch Verkleben oder Verfangen kommt es zu einem plötzlichen Stillstand des rotierenden Zubehörs, sodass das Elektrowerkzeug am Punkt des Festfahrens in entgegengesetzte Rotationsrichtung des Zubehörs gezwungen wird. Verklemt sich beispielsweise eine Schleifscheibe im Werkstück, kann die Kante, die in den Punkt des Verklebens eindringt, in die Oberfläche des Materials eindringen, sodass die Scheibe ausschlägt. Je nach Bewegungsrichtung der Scheibe zum Zeitpunkt des Verkantens kann die Scheibe entweder in Richtung des Bedieners oder von ihm weg springen. Unter diesen Umständen können Schleifscheiben auch zerbersten. Rückschläge werden durch eine falsche Handhabung des Elektrowerkzeugs und/oder unsachgemäße Bedienschritte oder -umstände verursacht und können durch die unten aufgeführten Maßnahmen vermieden werden.
- a) **Halten Sie das Elektrowerkzeug stets mit beiden Händen gut fest, und halten Sie Ihren Körper und Ihre Arme so, dass Sie Rückschläge abfangen können.** Verwenden Sie, falls vorhanden, immer den Zusatzgriff, um eine größtmögliche Kontrolle über Rückschlagkräfte oder Reaktionsmomente beim Anlaufen zu haben. Bei geeigneten Vorsichtsmaßnahmen kann die Bedienperson Rückschlag- und Reaktionskräfte beherrschen.
 - b) **Halten Sie Ihre Hand niemals in der Nähe des rotierenden Zubehörs.** Das Zubehör könnte zurückschlagen und Ihre Hand treffen.
 - c) **Halten Sie Ihren Körper nicht in dem Bereich auf, in den sich das Elektrowerkzeug im Fall eines Rückschlags bewegen würde.** Der Rückschlag treibt das Elektrowerkzeug in die Richtung entgegengesetzt zur Bewegung der Schleifscheibe an der Blockierstelle.
 - d) **Arbeiten Sie besonders vorsichtig im Bereich von Ecken, scharfen Kanten usw. Verhindern Sie, dass Zubehör vom Werkstück zurückprallt und verklemt.** Ecken, scharfe Kanten und sonstige Hindernisse neigen zum Verkleben des rotierenden Zubehörs und können zum Verlust der Kontrolle oder zu einem Rückschlag führen.
 - e) **Verwenden Sie keine Kettensäge-Holzschnidblätter oder sonstige gezähnte Sägeblätter.** Diese Sägeblätter verursachen häufig Rückschläge und führen zu Verlust der Kontrolle.

Besondere Warnhinweise zum Schneiden und Trennschleifen:

- a) **Verwenden Sie ausschließlich die für dieses Elektrowerkzeug zugelassenen Schleifkörper und die für diese Schleifkörper vorgesehene Schutzhaube.** Schleifscheiben, die nicht für das Elektrowerkzeug vorgesehen sind, können nicht ausreichend gesichert werden und sind unsicher.
- b) **Zur optimalen Sicherheit muss die Schutzhaube sicher am Elektrowerkzeug angebracht und positioniert sein, sodass der kleinstmögliche Teil des Schleifkörpers in Richtung Bedienerperson frei liegt.** Die Schutzabdeckung unterstützt den Schutz des Bedieners vor gebrochenen Scheibenteilen und versehentlichen Kontakt mit der Schleifscheibe.
- c) **Die Schleifscheiben dürfen ausschließlich für die vorgesehenen Arbeiten verwendet werden. Beispiel: Schleifen Sie nicht mit der Seitenfläche der Trennscheibe.** Trennscheiben sind zum Materialabtrag mit der Kante der Scheibe bestimmt. Durch seitliche Kräfteinwirkung auf diese Schleifkörper können diese zerbrechen.
- d) **Verwenden Sie immer unbeschädigte Spannflansche in der richtigen Größe und Form für die von Ihnen gewählte Schleifscheibe.** Die richtigen Scheibenflansche unterstützen die Schleifscheibe, sodass die Möglichkeit des Scheibenbruchs vermindert wird. Flansche für Trennscheiben unterscheiden sich möglicherweise von Flanschen für Schleifscheiben.
- e) **Verwenden Sie keine abgenutzten Schleifscheiben von größeren Elektrowerkzeugen.** Schleifscheiben für größere Elektrowerkzeuge sind nicht für die höheren Drehzahlen von kleineren Elektrowerkzeugen ausgelegt und können bersten.

Weitere Sicherheitshinweise für das Trennschleifen:

- a) **Klemmen Sie die Schleifscheibe nicht fest und üben Sie keinen übermäßigen Druck aus. Führen Sie keine übermäßig tiefen Schnitte aus.** Eine Überlastung der Scheibe erhöht deren Beanspruchung und die Anfälligkeit zum Verkanten oder Blockieren und damit die Möglichkeit eines Rückschlags oder Schleifkörperbruchs.
- b) **Meiden Sie den Bereich vor und hinter der rotierenden Trennscheibe.** Wenn sich die Scheibe während des Betriebs von Ihrem Körper weg bewegt, kann das mögliche Rückschlagen die sich drehende Scheibe und das Elektrowerkzeug direkt auf Sie zu treiben.
- c) **Falls die Trennscheibe verklemmt oder Sie die Arbeit unterbrechen, schalten Sie das Elektrowerkzeug aus und halten Sie es ruhig, bis die Scheibe zum Stillstand gekommen ist. Versuchen Sie niemals, die laufende Scheibe aus dem Schnitt zu ziehen, da dies zu einem Rückschlag führen kann.** Überprüfen Sie die Ursache für das Verkanten der Scheibe und ergreifen Sie Korrekturmaßnahmen.
- d) **Starten Sie den Schnittvorgang nicht im Werkstück. Lassen Sie die Trennscheibe erst ihre volle Drehzahl erreichen, bevor Sie den Schnitt vorsichtig fortsetzen.** Die Scheibe kann sich

verkantet, hochspringen oder zurückschlagen, wenn das Werkzeug im Werkstück eingeschaltet wird.

- e) **Stützen Sie Platten oder große Werkstücke ab, um das Risiko eines Rückschlags durch eine eingeklemmte Scheibe zu vermindern.** Große Werkstücke können sich unter ihrem eigenen Gewicht durchbiegen. Bringen Sie Stützen nahe der Schnittlinie und der Werkstückkante unter dem Werkstück zu beiden Seiten der Scheibe an.
- f) **Seien Sie besonders vorsichtig, wenn Sie einen „Tauschnitt“ in Wände oder andere nicht einsehbare Bereiche ausführen.** Die eintauchende Trennscheibe kann beim Schneiden in Gas- oder Wasserleitungen, elektrische Leitungen oder andere Objekte einen Rückschlag verursachen.

Spezifische Sicherheitshinweise für das Schleifen:

- a) **Verwenden Sie kein zu großes Schleifscheibenpapier. Befolgen Sie bei der Auswahl des Schmirgelpapiers die Empfehlungen der Hersteller.** Schleifblätter, die über den Schleifteller hinausragen, können Verletzungen verursachen sowie zum Blockieren, Zerreißen der Schleifblätter oder zum Rückschlag führen.

Spezifische Sicherheitshinweise für das Drahtbürsten:

- a) **Beachten Sie, dass Drahtborsten auch während des normalen Betriebs aus der Bürste fallen. Überlasten Sie die Drähte nicht durch zu hohen Anpressdruck.** Die Drahtborsten können leicht in lockere Kleidung und/oder die Haut eindringen.
- b) **Falls die Verwendung der Schutzabdeckung für das Drahtbürsten empfohlen wird, müssen Sie sicherstellen, dass die Drahtbürste nicht durch die Schutzabdeckung behindert wird.** Auf Grund der Last und der Zentrifugalkräfte kann sich der Durchmesser der Drahtbürste vergrößern.

Zusätzliche Sicherheitshinweise:

17. **Verwenden Sie nur glasfaserverstärkte Scheiben als gekröpfte Trennschleifscheiben.**
18. **Achten Sie sorgfältig darauf, dass Spindel, Flansch (insbesondere die Ansatzfläche) oder Sicherungsmutter nicht beschädigt werden. Eine Beschädigung dieser Teile kann zu einem Scheibenbruch führen.**
19. **Stellen Sie sicher, dass die Scheibe das Werkstück nicht berührt, bevor das Werkzeug eingeschaltet wurde.**
20. **Bevor Sie das Werkzeug auf das zu bearbeitende Werkstück ansetzen, lassen Sie es einige Zeit ohne Last laufen. Achten Sie auf Vibrationen und Schlägen; beide Anzeichen können auf eine schlecht ausgewuchtete oder nicht fachgerecht eingebaute Schleifscheibe hindeuten.**
21. **Verwenden Sie für Schleifarbeiten ausschließlich die dafür vorgesehene Fläche der Schleifscheibe.**
22. **Achten Sie auf Funkenflug. Halten Sie das Werkzeug so, dass Sie, umstehende Personen oder leicht entzündliche Materialien nicht von Funken getroffen werden.**
23. **Lassen Sie das Werkzeug nicht unbeaufsichtigt eingeschaltet. Das Werkzeug darf nur dann eingeschaltet werden, wenn es festgehalten wird.**

24. Vermeiden Sie eine Berührung des Werkstücks unmittelbar nach der Bearbeitung, da es dann noch sehr heiß sein und Hautverbrennungen verursachen kann.
25. Schalten Sie vor dem Ausführen von Arbeiten am Werkzeug das Werkzeug stets aus und ziehen Sie den Netzstecker bzw. entfernen Sie den Akkublock.
26. Befolgen Sie die Anweisungen des Herstellers zur korrekten Montage und Verwendung von Schleifscheiben. Behandeln und lagern Sie Werkzeugeinsätze mit Sorgfalt.
27. Verwenden Sie keine separaten Reduzierbuchsen oder Adapter zur Anpassung von Schleifscheiben mit großem Durchmesser.
28. Verwenden Sie ausschließlich die für dieses Werkzeug vorgeschriebenen Flansche.
29. Wenn eine Trennscheibe mit Gewindebohrung am Werkzeug montiert werden soll, achten Sie darauf, dass ihr Gewinde tief genug für die Spindellänge ist.
30. Vergewissern Sie sich, dass das Werkstück sicher eingespannt ist.
31. Beachten Sie, dass sich die Schleifscheibe nach dem Ausschalten der Maschine noch weiterdreht.
32. Falls der Arbeitsplatz sehr warm, feucht oder durch leitfähigen Staub stark verschmutzt ist, verwenden Sie einen Schutzschalter (30 mA), um für die Sicherheit des Bedieners zu sorgen.
33. Verwenden Sie dieses Werkzeug nicht zum Bearbeiten von asbesthaltigen Materialien.
34. Verwenden Sie kein Wasser oder Schleiföl.
35. Achten Sie beim Arbeiten unter staubigen Bedingungen darauf, dass die Ventilationsöffnungen frei bleiben. Sollte die Beseitigung von Staub notwendig sein, trennen Sie das Werkzeug zuerst vom Stromnetz (nichtmetallische Gegenstände verwenden), und achten Sie darauf, dass Bauteile im Inneren des Werkzeugs nicht beschädigt werden.
36. Verwenden Sie bei Arbeiten mit der Trennscheibe immer eine gesetzlich vorgeschriebene Staubsammelhaube.
37. Die Trennscheiben dürfen keinem seitlichen Druck ausgesetzt werden.

WARNUNG:

Bei **MISSBRÄUHLICHER** Verwendung des Werkzeugs und Missachtung der in diesem Handbuch enthaltenen Sicherheitshinweise kann es zu schweren Verletzungen kommen.

BEWAHREN SIE DIESE ANLEITUNG SORGFÄLTIG AUF.

FUNKTIONSBESCHREIBUNG

ACHTUNG:

- Schalten Sie das Werkzeug stets aus und ziehen Sie den Stecker, bevor Sie Einstellungen oder eine Funktionsprüfung des Werkzeugs vornehmen.

Spindel-Arretiertaste (Abb. 1)

ACHTUNG:

- Betätigen Sie die Spindel-Arretiertaste niemals bei rotierender Spindel. Andernfalls kann das Werkzeug beschädigt werden.

Drücken Sie die Spindel-Arretiertaste, um die Spindel beim Montieren oder Demontieren von Zubehör zu blockieren.

Bedienung des Schalters

ACHTUNG:

- Achten Sie vor dem Einstecken des Werkzeug-Netzsteckers darauf, dass sich der Ein/Aus-Schalter ordnungsgemäß bedienen lässt und beim Loslassen in die Position „OFF“ (AUS) zurückkehrt.

Für Werkzeug mit Auslöseschalter vom Typ A (Abb. 2)

Für Werkzeug ohne Arretiertaste und Entsperrungstaste

Betätigen Sie zum Starten des Werkzeugs einfach den Ein/Aus-Schalter. Lassen Sie zum Ausschalten des Werkzeugs den Ein/Aus-Schalter los.

Für Werkzeug mit Arretiertaste

Um die versehentliche Betätigung der Auslöseschaltung zu verhindern, ist das Werkzeug mit einer Ausschaltsperre ausgestattet. Betätigen Sie zum Starten des Werkzeugs den Auslöseschalter, während Sie die Arretiertaste gedrückt halten. Lassen Sie zum Ausschalten des Werkzeugs den Auslöseschalter los. Betätigen Sie für den Dauerbetrieb den Auslöseschalter, während Sie die Arretiertaste gedrückt halten, und drücken Sie die Arretiertaste weiter hinein. Zum Lösen der Arretierung müssen Sie den Auslöseschalter bis zum Anschlag betätigen und anschließend loslassen.

Für Werkzeuge mit Entsperrungstaste

Damit die Auslöseschaltung nicht versehentlich gezogen wird, befindet sich am Werkzeug eine Entsperrungstaste. Um das Werkzeug zu starten, drücken Sie den Arretierknopf und betätigen den Ein-/Aus-Schalter. Lassen Sie zum Ausschalten des Werkzeugs den Ein-/Aus-Schalter los.

Für Werkzeug mit Auslöseschalter vom Typ B (Abb. 3)

Für Werkzeug mit Einschaltsperr

Betätigen Sie zum Starten des Werkzeugs einfach den Auslöseschalter (A). Lassen Sie zum Ausschalten des Werkzeugs den Ein/Aus-Schalter los. Betätigen Sie für einen Dauerbetrieb den Auslöseschalter (A) und drücken Sie dann die Arretiertaste (B) hinein. Zum Lösen der Arretierung müssen Sie den Auslöseschalter (A) bis zum Anschlag betätigen und anschließend loslassen.

Für Werkzeug mit Ausschaltsperr

Um die versehentliche Betätigung der Auslöseschaltung zu verhindern, ist das Werkzeug mit einer Ausschaltsperr ausgestattet. Betätigen Sie zum Starten des Werkzeugs den Auslöseschalter (A), während Sie die Arretiertaste (B) gedrückt halten. Lassen Sie zum Ausschalten des Werkzeugs den Auslöseschalter los.

Für Maschine mit Ein- und Ausschaltsperr

Um die versehentliche Betätigung der Auslöseschaltung zu verhindern, ist das Werkzeug mit einer Ausschaltsperr ausgestattet. Betätigen Sie zum Starten des Werkzeugs den Auslöseschalter (A), während Sie die Arretiertaste (B) gedrückt halten. Lassen Sie zum Ausschalten des Werkzeugs den Auslöseschalter los. Betätigen Sie für den Dauerbetrieb den Auslöseschalter, während Sie die Arretiertaste (B) gedrückt halten, und drücken Sie die Arretiertaste (B) weiter hinein. Zum Lösen der Arretierung müssen Sie den Auslöseschalter (A) bis zum Anschlag betätigen und anschließend loslassen.

Elektronische Funktion

Regelung für konstante Drehzahl (Für Modell GA5020C, GA5021C, GA6020C, GA6021C)

- Auch bei Belastung wird durch eine konstant gehaltene Drehzahl eine saubere Schnittfläche erreicht.
- Wenn die Last auf dem Werkzeug den erlaubten Pegel überschreitet, wird außerdem die Stromzufuhr an den Motor gedrosselt, um den Motor vor Überhitzung zu schützen. Wenn die Last wieder auf den erlaubten Pegel absinkt, wird das Werkzeug normal betrieben.

Soft-Start-Funktion

- Weiches Anlaufen auf Grund eines unterdrückten Anlauffuckens.

Anzeigenleuchte (Abb. 4)

Die Anzeigen leuchtet grün, sobald das Werkzeug an die Stromversorgung angeschlossen ist. Wenn die Anzeige nicht leuchtet, können das Stromkabel oder der Regler defekt sein. Wenn die Anzeige leuchtet und das Werkzeug nicht startet, obwohl es eingeschaltet wird, können die Kohlebürsten verbraucht sein, oder der Motor oder der Schalter sind defekt.

Sicherung vor unbeabsichtigtem Neustart

Auch wenn die Arretiertaste den Auslöseschalter gedrückt hält (Einschaltposition), wird das Werkzeug nicht erneut gestartet, wenn das Werkzeug an die Stromversorgung angeschlossen wird.

Zu diesem Zeitpunkt flackert die Anzeige rot und zeigt die Aktivierung des Schutzgeräts zur Verhinderung eines unbeabsichtigten Neustarts an.

Zum Aufheben der Sicherung vor unbeabsichtigtem Neustart betätigen Sie den Auslöseschalter bis zum Anschlag betätigen und lassen Sie ihn anschließend los.

MONTAGE

ACHTUNG:

- Schalten Sie das Werkzeug stets aus und ziehen Sie den Stecker, bevor Sie irgendwelche Arbeiten am Werkzeug durchführen.

Einsetzen des Seitengriffs (Zusatzgriff) (Abb. 5)

ACHTUNG:

- Vergewissern Sie sich vor dem Betrieb stets, dass der Seitengriff einwandfrei montiert ist.

Schrauben Sie den Seitengriff an der in der Abbildung gezeigten Position fest in das Werkzeug.

Einbauen des Bügelgriffs (Zubehör)

ACHTUNG:

- Vergewissern Sie sich vor dem Betrieb stets, dass der Bügelgriff ordnungsgemäß montiert ist. (Abb. 6)

Befestigen Sie vor dem Betrieb immer den Bügelgriff am Werkzeug. Halten Sie während des Betriebs das Werkzeug sicher mit beiden Händen am Schaltgriff und am Bügelgriff.

Befestigen Sie den Bügelgriff so, dass der Vorsprung in die passende Öffnung im Antriebsgehäuse passt.

Bauen Sie die Bolzen ein und ziehen Sie diese mit dem Inbusschlüssel fest.

Der Bügelgriff kann in zwei verschiedenen Richtungen eingebaut werden (siehe Abbildung), je nachdem, welche für Ihre Arbeit besser geeignet ist. (Abb. 7 und 8)

Montage und Demontage der Schutzhaube

ACHTUNG:

- Bei Verwendung einer gekröpften Trennschleifscheibe/Multis Scheibe, Drahrundbürste oder Trennscheibe muss die Schutzhaube so am Werkzeug angebracht werden, dass die geschlossene Seite stets in Richtung Bediener zeigt.

Für Werkzeug mit Schutzhaube und Sicherungsschraube (Abb. 9)

Montieren Sie die Schutzhaube so, dass der Vorsprung am Schutzhaubenring an der Nut im Lagergehäuse ausgerichtet ist.

Drehen Sie dann die Schutzhaube um 180 Grad gegen den Uhrzeigersinn. Prüfen Sie, dass die Schraube fest angezogen ist.

Zum Demontieren der Schutzhaube müssen Sie die Einbauprozedur in umgekehrter Reihenfolge ausführen.

Für Werkzeug mit Schutzhaube und Klemmhebel (Abb. 10 und 11)

Lösen Sie nach dem Lösen der Schraube den Hebel an der Schutzhaube. Montieren Sie die Schutzhaube so, dass der Vorsprung am Schutzhaubenring an der Nut im Lagergehäuse ausgerichtet ist. Drehen Sie dann die Schutzhaube wie in der Abbildung dargestellt gegen den Uhrzeigersinn. Ziehen Sie den Hebel an, um die Schutzhaube zu befestigen. Falls der Hebel zu fest oder zu lose ist, um die Schutzhaube zu sichern, lösen oder ziehen Sie die Schraube fest an, um die Spannung des Schutzhaubenrings einzustellen.

Zum Demontieren der Schutzhaube müssen Sie die Einbauprozedur in umgekehrter Reihenfolge ausführen.

Montage und Demontage der gekröpften Trennschleifscheibe/Multis Scheibe (Zubehörteil)

WARNUNG:

- Wenn die gekröppte Trennschleifscheibe/Multis Scheibe am Werkzeug befestigt ist, muss stets die mitgelieferte Schutzhaube verwendet werden. Die Scheibe kann während ihrer Verwendung zerbrechen. Durch die Schutzhaube wird das Risiko von Verletzungen verringert. (Abb. 12)

Setzen Sie den Innenflansch auf die Spindel. Setzen Sie die Trenn-/Schleifscheibe auf den Innenflansch, und schrauben Sie die Sicherungsmutter auf die Spindel. Drücken Sie zum Anziehen der Sicherungsmutter die Spindelarretierung fest, um die Spindel zu blockieren; ziehen Sie dann die Mutter mit dem Sicherungsmutterschlüssel im Uhrzeigersinn fest an. **(Abb. 13)**
Zum Entnehmen der Trennscheibe befolgen Sie die Einbauprozedur rückwärts.

BETRIEB

WARNUNG:

- Das Werkzeug darf auf keinen Fall mit Gewalt angedrückt werden. Das Eigengewicht des Werkzeugs übt ausreichenden Druck aus. Gewaltanwendung und übermäßiger Druck können zu einem gefährlichen Schleifscheibenbruch führen.
- Wechseln Sie die Schleifscheibe IMMER aus, falls das Werkzeug während der Arbeit fallen gelassen wurde.
- Eine Schleif- oder Trennscheibe darf NIEMALS gegen das Werkstück geschlagen oder gestoßen werden.
- Achten Sie besonders beim Bearbeiten von Ecken, scharfen Kanten usw. darauf, dass die Schleifscheibe nicht springt oder hängen bleibt. Dies könnte den Verlust der Kontrolle und Rückschläge verursachen.
- Verwenden Sie das Werkzeug NIEMALS mit Holzschneide- oder anderen Sägeblättern. Solche Sägeblätter verursachen bei Verwendung an einer Schleifmaschine häufig ein Rückschlagen und den Verlust der Kontrolle, was zu Verletzungen führen kann.

ACHTUNG:

- Schalten Sie das Werkzeug nach der Arbeit stets aus, und warten Sie, bis die Scheibe zum völligen Stillstand gekommen ist, bevor Sie das Werkzeug ablegen.

Schleifen und Schmirgeln (Abb. 14)

Halten Sie das Werkzeug IMMER mit einer Hand am hinteren Griff und mit der anderen am Seitengriff fest. Schalten Sie das Werkzeug ein, und setzen Sie dann die Trenn- oder Schleifscheibe an das Werkstück an. Halten Sie die Trenn- oder Schleifscheibe im Allgemeinen in einem Winkel von etwa 15 Grad zur Werkstoffoberfläche. Bewegen Sie den Schleifer beim Einschleifen einer neuen Schleifscheibe in Richtung B, weil die Schleifscheibe sonst in das Werkstück einschneidet. Sobald die Schleifscheibenkante durch Gebrauch abgerundet ist, kann die Schleifscheibe sowohl in Richtung A als auch in Richtung B bewegt werden.

WARTUNG

ACHTUNG:

- Schalten Sie das Werkzeug stets aus und ziehen Sie den Stecker, bevor Sie Prüfungen oder Wartungsarbeiten am Werkzeug durchführen.
- Halten Sie das Werkzeug und die Ventilationsöffnungen stets sauber.
- Reinigen Sie die Ventilationsöffnungen des Werkzeugs regelmäßig oder im Anfangsstadium einer Verstopfung. **(Abb. 15)**

Ersetzen der Kohlebürsten (Abb. 16)

Entfernen und überprüfen Sie die Kohlebürsten in regelmäßigen Abständen.
Ersetzen Sie diese, wenn sie bis zur Verschleißgrenze abgenutzt sind. Halten Sie die Kohlebürsten sauber und sorgen Sie dafür, dass sie locker in den Halterungen liegen.
Ersetzen Sie beide Kohlebürsten gleichzeitig. Verwenden Sie nur identische Kohlebürsten.
Verwenden Sie einen Schraubendreher, um die Bürstenhalterkappen zu entfernen.
Entnehmen Sie die verbrauchten Kohlebürsten, legen Sie die neuen ein und bringen Sie die Bürstenhalterkappen wieder fest an. **(Abb. 17)**
Nach Austausch der Bürsten schließen Sie das Werkzeug an die Stromversorgung an und fahren die Bürsten ein, indem Sie das Werkzeug etwa 10 Minuten ohne Last laufen lassen. Prüfen Sie dann das Werkzeug im Lauf und den Betrieb der elektrischen Bremse durch Loslassen des Auslöseschalters. Wenn die elektrische Bremse nicht richtig funktioniert, lassen Sie das Werkzeug bei einem Makita-Servicecenter reparieren. (Für Modelle GA5020 und GA6020)
Um die SICHERHEIT und ZUVERLÄSSIGKEIT des Produkts zu gewährleisten, sollten Reparaturen, Wartungsarbeiten und Einstellungen nur durch von Makita autorisierte Servicecenter durchgeführt und immer Makita-Ersatzteile verwendet werden.

ZUBEHÖR

ACHTUNG:

- Die folgenden Zubehör- und Zusatzteile werden für das in diesem Handbuch beschriebene Makita-Werkzeug empfohlen. Die Verwendung anderer Zubehör- und Zusatzteile kann zu Personenschäden führen. Verwenden Sie Zubehör- und Zusatzteile nur für den vorgesehenen Zweck.
- Das Werkzeug ist mit einer Schutzabdeckung für die Verwendung mit einer gekröpften Trennschleifscheibe, Multischeibe und Drahrundbürste ausgestattet. Eine Trennscheibe kann mit einer zusätzlichen Schutzabdeckung verwendet werden. Wenn Sie Ihren Makita-Schleifer mit anerkannten Zubehörteilen, die Sie bei Ihrem Makita-Händler oder beim Makita-Servicecenter erwerben können, verwenden möchten, müssen Sie sicherstellen, dass Sie alle in diesem Handbuch empfohlenen Befestigungen und Schutzabdeckungen haben und verwenden. Zu widerhandlungen können zu schweren Personenschäden führen.

Informationen zu diesem Zubehör erhalten Sie bei einem Makita-Servicecenter in Ihrer Nähe.

- Schutzhaube (Schleifscheibenabdeckung)
- Innenflansch
- Gekröpfte Trennschleifscheiben
- Sicherungsmutter (für gekröpfte Trennschleifscheibe)
- Gummiteller
- Schleifscheiben
- Sicherungsmutter (für Schleifscheibe)
- Sicherungsmutterschlüssel
- Topfdrahtbürste
- Seitengriff
- Bügelgriff
- Staubschutzmanschette

Für Modell GA5020**Nur für europäische Länder****Schall**

ENG102-2

Typischer A-bewerteter Schalldruckpegel nach EN60745:

Schalldruckpegel (L_{pA}): 89 dB (A)Schalleistungspegel (L_{WA}): 100 dB (A)

Unsicherheit (K): 3 dB (A)

Tragen Sie Gehörschutz.**Schwungung**

ENG208-4

Schwungungsgesamtwerte (Vektorsumme dreier Achsen) nach EN60745:

Arbeitsmodus: Flächenschleifen

Schwungungsbelastung ($a_{h,AG}$): 9 m/s²Unsicherheit (K): 1,5 m/s²

Trennschleifen oder Drahtbürsten kann unterschiedliche Schwungungsemissionswerte aufweisen.

Für Modell GA5021**Nur für europäische Länder****Schall**

ENG102-2

Typischer A-bewerteter Schalldruckpegel nach EN60745:

Schalldruckpegel (L_{pA}): 90 dB (A)Schalleistungspegel (L_{WA}): 101 dB (A)

Unsicherheit (K): 3 dB (A)

Tragen Sie Gehörschutz.**Schwungung**

ENG208-4

Schwungungsgesamtwerte (Vektorsumme dreier Achsen) nach EN60745:

Arbeitsmodus: Flächenschleifen

Schwungungsbelastung ($a_{h,AG}$): 13,5 m/s²Unsicherheit (K): 1,5 m/s²

Trennschleifen oder Drahtbürsten kann unterschiedliche Schwungungsemissionswerte aufweisen.

Für Modell GA6020**Nur für europäische Länder****Schall**

ENG102-2

Typischer A-bewerteter Schalldruckpegel nach EN60745:

Schalldruckpegel (L_{pA}): 89 dB (A)Schalleistungspegel (L_{WA}): 100 dB (A)

Unsicherheit (K): 3 dB (A)

Tragen Sie Gehörschutz.**Schwungung**

ENG208-4

Schwungungsgesamtwerte (Vektorsumme dreier Achsen) nach EN60745:

Arbeitsmodus: Flächenschleifen

Schwungungsbelastung ($a_{h,AG}$): 10 m/s²Unsicherheit (K): 1,5 m/s²

Trennschleifen oder Drahtbürsten kann unterschiedliche Schwungungsemissionswerte aufweisen.

Für Modell GA6021**Nur für europäische Länder****Schall**

ENG102-2

Typischer A-bewerteter Schalldruckpegel nach EN60745:

Schalldruckpegel (L_{pA}): 89 dB (A)Schalleistungspegel (L_{WA}): 100 dB (A)

Unsicherheit (K): 3 dB (A)

Tragen Sie Gehörschutz.**Schwungung**

ENG208-4

Schwungungsgesamtwerte (Vektorsumme dreier Achsen) nach EN60745:

Arbeitsmodus: Flächenschleifen

Schwungungsbelastung ($a_{h,AG}$): 6,5 m/s²Unsicherheit (K): 1,5 m/s²

Trennschleifen oder Drahtbürsten kann unterschiedliche Schwungungsemissionswerte aufweisen.

Für Modell GA5020C**Nur für europäische Länder****Schall**

ENG102-2

Typischer A-bewerteter Schalldruckpegel nach EN60745:

Schalldruckpegel (L_{pA}): 90 dB (A)Schalleistungspegel (L_{WA}): 101 dB (A)

Unsicherheit (K): 3 dB (A)

Tragen Sie Gehörschutz.**Schwungung**

ENG208-4

Schwungungsgesamtwerte (Vektorsumme dreier Achsen) nach EN60745:

Arbeitsmodus: Flächenschleifen

Schwungungsbelastung ($a_{h,AG}$): 9,5 m/s²Abweichung (K): 1,5 m/s²

Trennschleifen oder Drahtbürsten kann unterschiedliche Schwungungsemissionswerte aufweisen.

Für Modell GA5021C**Nur für europäische Länder****Schall**

ENG102-2

Typischer A-bewerteter Schalldruckpegel nach EN60745:

Schalldruckpegel (L_{pA}): 90 dB (A)Schalleistungspegel (L_{WA}): 101 dB (A)

Unsicherheit (K): 3 dB (A)

Tragen Sie Gehörschutz.**Schwungung**

ENG208-4

Schwungungsgesamtwerte (Vektorsumme dreier Achsen) nach EN60745:

Arbeitsmodus: Flächenschleifen

Schwungungsbelastung ($a_{h,AG}$): 8,5 m/s²Abweichung (K): 1,5 m/s²

Trennschleifen oder Drahtbürsten kann unterschiedliche Schwungungsemissionswerte aufweisen.

Für Modell GA6020C**Nur für europäische Länder****Schall**

ENG102-2

Typischer A-bewerteter Schalldruckpegel nach EN60745:

Schalldruckpegel (L_{pA}): 91 dB (A)Schalleistungspegel (L_{WA}): 102 dB (A)

Abweichung (K): 3 dB (A)

Tragen Sie Gehörschutz.**Schwungung**

ENG208-4

Schwungungsgesamtwerte (Vektorsumme dreier Achsen) nach EN60745:

Arbeitsmodus: Flächenschleifen

Schwungungsbelastung ($a_{h,AG}$): 9,0 m/s²Abweichung (K): 1,5 m/s²

Trennschleifen oder Drahtbürsten kann unterschiedliche Schwungungsemissionswerte aufweisen.

Für Modell GA6021C

Nur für europäische Länder

Schall

ENG102-2

Typischer A-bewerteter Schalldruckpegel nach

EN60745:

Schalldruckpegel (L_{pA}): 90 dB (A)

Schallleistungspegel (L_{WA}): 101 dB (A)

Abweichung (K): 3 dB (A)

Tragen Sie Gehörschutz.

Schwingung

ENG208-4

Schwingungsgesamtwerte (Vektorsumme dreier Achsen)

nach EN60745:

Arbeitsmodus: Flächenschleifen

Schwingungsbelastung ($a_{h,AG}$): 8,5 m/s²

Abweichung (K): 1,5 m/s²

Trennschleifen oder Drahtbürsten kann unterschiedliche Schwingungsemissionswerte aufweisen.

EU-Konformitätserklärung

ENH101-12

Wir, Makita Corporation als verantwortlicher

Hersteller, erklären, dass die folgenden Geräte der

Marke Makita:

Bezeichnung des Geräts: Winkelschleifer

Nummer / Typ des Modells: GA5020/C, GA5021/C,

GA6020/C, GA6021/C

in Serienfertigung hergestellt werden und

den folgenden Richtlinien der Europäischen Union

genügen:

98/37/EC bis 28. Dezember 2009 und 2006/42/EC ab dem 29. Dezember 2009

Außerdem werden die Geräte gemäß den folgenden Standards oder Normen gefertigt:

EN60745

Die technische Dokumentation erfolgt durch unseren

Bevollmächtigten in Europa:

Makita International Europe Ltd.

Michigan, Drive, Tongwell,

Milton Keynes, MK15 8JD, England

30. Januar 2009



Tomoyasu Kato
Direktor

Makita Corporation
3-11-8, Sumiyoshi-cho,
Anjo, Aichi, JAPAN

Spiegazione della vista generale

- | | | |
|------------------------------------------------------------|------------------------------------------|---------------------------------------|
| 1. Blocco dell'albero | 9. Impugnatura ad anello | 19. Chiavi controdadi |
| 2. Blocco / Sicura | 10. Chiave esagonale | 20. Apertura di ventilazione |
| 3. Interruttore (Tipo A) | 11. Bullone | 21. Apertura di aspirazione |
| 4. Levetta di blocco | 12. Protezione disco | 22. Indicatore di limite |
| 5. Interruttore (Tipo B) | 13. Vite | 23. Coperchio supporto della spazzola |
| 6. Spia luminosa | 14. Alloggiamento del cuscinetto | 24. Cacciavite |
| 7. Sporgenza dell'impugnatura ad anello | 15. Leva | |
| 8. Foro corrispondente nell'alloggiamento dell'ingranaggio | 16. Controdado | |
| | 17. Disco con centro depresso/multidisco | |
| | 18. Flangia interna | |

CARATTERISTICHE TECNICHE

Modello	GA5020	GA5021	GA5020C/ GA5021C	GA6020	GA6021	GA6020C/ GA6021C
Diametro del disco con centro depresso	125 mm	125 mm	125 mm	150 mm	150 mm	150 mm
Filettatura mandrino	M14	M14	M14	M14	M14	M14
Velocità a vuoto (n_0)/Velocità nominale (n)	11,000 min ⁻¹	11,000 min ⁻¹	10,000 min ⁻¹	10,000 min ⁻¹	10,000 min ⁻¹	9,000 min ⁻¹
Lunghezza totale	356 mm	384 mm	390 mm	356 mm	384 mm	390 mm
Peso netto	2,7 kg	2,7 kg	2,9 kg	3,0 kg	2,8 kg	3,0 kg
Classe di sicurezza	☐/II					

- Le caratteristiche tecniche riportate di seguito sono soggette a modifiche senza preavviso in virtù del nostro programma continuo di ricerca e sviluppo.
- Le caratteristiche tecniche possono differire da paese a paese.
- Peso determinato in conformità con la EPTA-Procedure 01/2003

Uso previsto

ENE048-1

L'utensile va usato per la smerigliatura, la carteggiatura e il taglio di metalli e pietre senza l'uso di acqua.

Alimentazione

ENF002-1

L'utensile deve essere collegato a una presa di corrente con la stessa tensione di quella indicata sulla targhetta e può funzionare soltanto con corrente alternata monofase. Esso ha un doppio isolamento in osservanza alle norme europee, per cui può essere usato con prese di corrente sprovviste della messa a terra.

REGOLE DI SICUREZZA SPECIFICHE

GEB033-2

NON lasciare che la familiarità acquisita con il prodotto (dovuta all'uso ripetuto) provochi l'inosservanza delle regole di sicurezza della taglierina. Se questo utensile viene utilizzato in modo improprio o errato, è possibile subire lesioni personali gravi.

Avvisi di sicurezza comuni per la smerigliatura, la carteggiatura, la spazzolatura metallica o le operazioni di taglio abrasivo:

- Questo utensile va utilizzato come smerigliatrice, levigatrice, spazzola d'acciaio o strumento di taglio. Leggere tutti gli avvisi di sicurezza, le istruzioni, le illustrazioni e le caratteristiche tecniche fornite con questo utensile.** La mancata osservanza delle istruzioni riportate di seguito può provocare scosse elettriche, incendi e/o lesioni gravi.
- Non si consiglia di utilizzare questo utensile per eseguire operazioni quali la lucidatura.** Operazioni per le quali l'utensile non è stato progettato possono creare un rischio e lesioni personali.
- Non utilizzare accessori non progettati specificamente e consigliati dal produttore dell'utensile.** Il semplice fissaggio dell'accessorio al proprio utensile non garantisce un funzionamento sicuro.
- La velocità nominale dell'accessorio deve essere almeno equivalente alla velocità massima contrassegnata sull'utensile.** Gli accessori che funzionano più velocemente della velocità nominale possono rompersi in più pezzi.
- Il diametro esterno e lo spessore dell'accessorio devono corrispondere ai limiti di capienza dell'utensile.** Gli accessori con dimensioni errate non possono essere custoditi o controllati adeguatamente.
- Le dimensioni del mandrino dei dischi, flange, cuscinetto di supporto o di qualunque altro accessorio devono corrispondere esattamente al mandrino dell'utensile.** Gli accessori con i fori del mandrino che non corrispondono al supporto dell'utensile tenderanno a perdere l'equilibrio, vibrare eccessivamente e potrebbero causare la perdita di controllo.
- Non utilizzare un accessorio danneggiato.** Prima di ogni utilizzo, controllare gli accessori quali i dischi abrasivi per verificare l'eventuale presenza di schegge e fessure, cuscinetti di supporto per crepe, strappi o usura in eccesso, spazzola

metallica per fili allentati o con fessure. Se l'utensile o l'accessorio cadono, controllare l'eventuale presenza di danni o installare un accessorio intatto. Dopo aver esaminato e installato un accessorio, scostarsi e allontanare eventuali persone presenti dal piano di rotazione dell'accessorio, quindi azionare l'utensile alla massima velocità a vuoto, per un minuto.

Normalmente, gli accessori danneggiati si romperanno durante questo periodo di prova.

8. **Indossare l'equipaggiamento di protezione individuale. A seconda dell'applicazione, utilizzare uno schermo facciale, occhiali protettivi o di sicurezza. Se necessario, indossare una maschera antipolvere, guanti e un grembiule da officina in grado di fermare frammenti piccoli o abrasivi del pezzo in lavorazione.** La protezione degli occhi deve essere capace di arrestare i residui volanti generati dalle varie operazioni. La maschera antipolvere o il respiratore devono essere in grado di filtrare le particelle generate dalla propria attività. L'esposizione prolungata al rumore ad alta intensità può causare la perdita dell'udito.
9. **Mantenere gli astanti ad una distanza di sicurezza dall'area di lavoro. Tutte le persone che entrano nella zona di lavoro devono indossare l'equipaggiamento di protezione individuale.** I frammenti di un pezzo o di un accessorio rotto possono volare via e provocare lesioni oltre l'area operativa immediata.
10. **Nel corso di operazioni che potrebbero portare l'accessorio di taglio a contatto con conduttori nascosti o con il proprio cavo di alimentazione, impugnare l'utensile esclusivamente mediante le superfici isolate predisposte.** Il taglio di un accessorio provocato dal contatto con un filo percorso da corrente farà sì che le parti metalliche esposte dell'utensile si trovino anch'esse sotto tensione provocando scosse elettriche all'operatore.
11. **Posizionare il cavo lontano dell'accessorio rotante.** Se si perde il controllo, il cavo può tagliarsi o impigliarsi e la mano o il braccio spinti nell'accessorio rotante.
12. **Non appoggiare mai l'utensile a terra se l'accessorio non è fermo completamente.** L'accessorio rotante può afferrare la superficie e causare la perdita di controllo dell'utensile.
13. **Non azionare l'utensile quando viene trasportato su un lato.** Il contatto accidentale con l'accessorio rotante può strappare i vestiti, tirando l'accessorio sul proprio corpo.
14. **Pulire regolarmente le prese d'aria dell'utensile.** Il ventilatore del motore attira la polvere all'interno dell'alloggiamento e un accumulo eccessivo di polvere metallica può essere causa di pericoli di natura elettrica.
15. **Non utilizzare l'utensile vicino a materiali infiammabili.** Le scintille potrebbero bruciare questi materiali.
16. **Non utilizzare accessori che richiedano refrigeranti liquidi.** L'utilizzo di acqua o di altri refrigeranti liquidi può provocare elettrocuzione o scosse elettriche.

Contraccolpi e avvisi correlati

I contraccolpi sono una reazione improvvisa ad un disco mobile incastrato o urtato, una spazzola o qualunque altro accessorio. Una frizione o un incaglio portano al rapido blocco dell'accessorio rotante, che a sua volta causa la rotazione incontrollata dell'utensile in direzione opposta alla rotazione dell'accessorio nel momento del blocco. Ad esempio, se un disco abrasivo si impiglia o urta contro un pezzo, il bordo del disco che entra nel punto di incastramento può scavare la superficie del materiale causando l'innalzamento o l'espulsione del disco. Il disco può essere scagliato verso l'operatore o lontano da esso, a seconda del verso di rotazione del disco al momento del blocco. In queste circostanze i dischi abrasivi possono anche rompersi.

I contraccolpi sono determinati dall'uso improprio dell'utensile e/o da procedure o condizioni operative errate e possono essere evitati adottando le precauzioni specifiche illustrate di seguito.

- a) **Stringere con forza l'utensile e posizionare il proprio corpo e il braccio per resistere alle forze del contraccolpo. Utilizzare sempre la maniglia ausiliaria, se inclusa, per un controllo massimo della reazione contro la coppia di torsione o i contraccolpi durante l'avvio.** L'operatore può controllare le reazioni della coppia di torsione o le forze del contraccolpo, se vengono adottate le precauzioni adeguate.
- b) **Non avvicinare mai le mani all'accessorio in rotazione.** Gli accessori possono causare contraccolpi alla mano.
- c) **Non posizionarsi con il corpo nella zona in cui l'utensile si sposterà nel caso si verificasse un contraccolpo.** Un contraccolpo spingerà l'utensile in avanti nella direzione opposta al movimento del disco nel punto dell'urto.
- d) **Prestare particolare attenzione durante il lavoro negli angoli, sui bordi aguzzi e così via. Evitare di fare rimbalzare o urtare l'accessorio.** Gli angoli, i bordi taglienti o i rimbalzi tendono a intralciare il movimento dell'accessorio rotante e a causare la perdita di controllo o contraccolpi.
- e) **Non collegare una lama da intaglio munita di una catena di taglio o una lama di taglio dentata.** Queste lame creano contraccolpi frequenti e la perdita di controllo.

Avvisi di sicurezza specifici per le operazioni di smerigliatura e di taglio abrasivo:

- a) **Utilizzare soltanto i tipi di dischi consigliati per l'utensile e la protezione specifica progettata per il disco selezionato.** I dischi non progettati per l'utensile non possono essere custoditi adeguatamente e sono pericolosi.
- b) **La protezione deve essere fissata saldamente all'utensile e posizionata per la massima sicurezza, in modo che una parte minima del disco venga esposta verso l'operatore.** La protezione aiuta a proteggere l'operatore dai frammenti di disco rotti e dal contatto accidentale con il disco.
- c) **I dischi devono essere utilizzati soltanto per le applicazioni suggerite. Ad esempio: non smerigliare con il lato del disco diamantato.** I dischi abrasivi diamantati sono previsti per la smerigliatura laterale, le forze laterali applicate a questi dischi possono causarne la frantumazione.

d) **Usare sempre flange integre, della forma e delle dimensioni corrette per i dischi utilizzati.** Le flange corrette sorreggono adeguatamente i dischi, riducendo la possibilità di rotture. Le flange dei dischi di taglio possono essere diverse dalle flange del disco di smerigliatura.

e) **Non utilizzare dischi consumati di utensili con dimensioni maggiori.** I dischi previsti per utensili più grandi non sono adatti per le velocità più elevate di un utensile più piccolo e possono frantumarsi.

Ulteriori avvisi di sicurezza specifici alle operazioni di taglio abrasivo:

a) **Non "bloccare" il disco di taglio o applicare una pressione eccessiva. Non cercare di eseguire una profondità di taglio eccessiva.** Il sovraccarico del disco aumenta il caricamento e la predisposizione all'avvitamento o al grippaggio del disco di taglio e la possibilità di contraccolpi o rotture del disco.

b) **Non posizionare il corpo in linea e dietro al disco mobile.** Se il disco, nel punto di mobilità, si sposta lontano dal corpo, gli eventuali contraccolpi possono spingere il disco mobile e l'utensile direttamente verso l'utente.

c) **Quando il disco sta grippando o interrompe un taglio per qualsiasi motivo, spegnere l'utensile e mantenere l'utensile fermo fino a quando il disco si arresta completamente. Durante il taglio, non cercare mai di rimuovere il disco di taglio durante lo spostamento del disco, altrimenti possono verificarsi contraccolpi.** Esaminare le condizioni operative e adottare le misure necessarie per eliminare le cause del grippaggio del disco.

d) **Non ricominciare l'operazione di taglio sul pezzo in lavorazione. Fare raggiungere al disco la piena velocità e regolare di nuovo il taglio.** Se l'utensile viene riavviato sul pezzo in lavorazione, il disco può grippare, sollevarsi o sobbalzare.

e) **Utilizzare supporti per sostenere i pannelli o eventuali pezzi in lavorazione sovradimensionati per ridurre al minimo il rischio di contraccolpi e incastramenti del disco.** I pezzi in lavorazione di grandi dimensioni tendono a flettersi sotto il loro stesso peso. Collocare i supporti al di sotto del pezzo in lavorazione su entrambi i lati, sia vicino alla linea di taglio che all'estremità del disco.

f) **Prestare particolare attenzione nel caso sia necessario eseguire "tagli con cavità" inserendo la lama in una parete esistente o in un'altra superficie chiusa.** Il disco sporgente può tagliare i tubi dell'acqua o del gas, i cavi elettrici o gli oggetti che possono causare il contraccolpo.

Avvisi di sicurezza specifici per le operazioni di smerigliatura:

a) **Non utilizzare una carta abrasiva eccessivamente sovradimensionata. Nel selezionare la carta abrasiva, seguire le raccomandazioni dei produttori.** Una carta abrasiva di dimensioni maggiori che si estende oltre il cuscinetto da smerigliatura presenta un rischio di lacerazione e può causare la sbavatura, l'usura del disco o contraccolpi.

Avvisi di sicurezza specifici per le operazioni di spazzolatura metallica:

a) **Notare che le setole di ferro cadono dalla spazzola persino durante le operazioni normali. Non sovraccaricare i fili applicando un carico eccessivo alla spazzola.** Le setole di ferro possono penetrare facilmente nei vestiti leggeri e/o nella pelle.
b) **Se per la spazzola metallica è consigliato l'utilizzo di una protezione, non fare interferire il disco a raggi o la spazzola con il dispositivo.** Il diametro del disco a raggi o della spazzola può espandersi a causa del carico di lavoro e delle forze centrifughe.

Avvertenze di sicurezza supplementari:

17. **Se vengono utilizzati dischi con un centro depresso, accertarsi che si tratti esclusivamente di dischi in fibra di vetro rinforzata.**
18. **Fare attenzione a non danneggiare il mandrino, la flangia (soprattutto la superficie di installazione) o il controaddo. Se queste parti vengono danneggiate, il disco potrebbe rompersi.**
19. **Verificare che il disco non tocchi il pezzo in lavorazione prima che si accenda l'interruttore.**
20. **Prima di usare l'utensile, lasciarlo funzionare a vuoto per qualche minuto. Prestare attenzione a vibrazioni e oscillazioni, che potrebbero indicare difetti di installazione o che il disco non è bilanciato correttamente.**
21. **Per la smerigliatura, usare la superficie specificata del disco.**
22. **Fare attenzione alle scintille. Tenere l'utensile in modo che le scintille non siano dirette verso l'operatore, altre persone o materiali infiammabili.**
23. **Non lasciare l'utensile acceso. Azionare l'utensile solo dopo averlo impugnato.**
24. **Non toccare il pezzo subito dopo il lavoro, poiché può raggiungere temperature elevate e provocare ustioni.**
25. **Prima di eseguire qualsiasi operazione sull'utensile, verificare sempre di averlo spento e scollegato e di aver rimosso la batteria.**
26. **Osservare le istruzioni del produttore per il corretto montaggio e utilizzo dei dischi. Maneggiare e conservare i dischi con cura.**
27. **Non utilizzare boccole di riduzione o adattatori separati per montare dischi abrasivi con foro largo.**
28. **Usare soltanto flange specifiche per questo utensile.**
29. **Se si usano utensili su cui montare dischi con foro filettato, accertarsi che la filettatura del disco sia sufficientemente lunga da accettare la lunghezza del mandrino.**
30. **Accertarsi che il pezzo sia fissato stabilmente nei supporti.**
31. **Tenere presente che il disco continua a girare anche dopo aver spento l'utensile.**
32. **Se l'ambiente di lavoro è estremamente caldo o umido oppure contaminato da polvere conduttiva, usare un salvavita (30 mA) per garantire la sicurezza dell'operatore.**
33. **Non usare l'utensile su materiali che contengono amianto.**
34. **Non usare acqua o lubrificanti per la smerigliatura.**
35. **Accertarsi che le aperture di ventilazione siano aperte quando si lavora in ambienti polverosi. Per**

rimuovere l'eventuale polvere, staccare prima l'utensile dalla presa di corrente (non usare oggetti metallici) in modo da evitare di danneggiare le parti interne.

36. Quando si usano dischi diamantati, utilizzare sempre la protezione del disco per raccogliere la polvere, come previsto dalle normative in vigore nel paese.
37. I dischi da taglio non devono essere soggetti ad alcuna pressione laterale.

AVVERTENZA:

L'USO IMPROPRIO o la mancata osservanza delle norme di sicurezza contenute in questo manuale può provocare lesioni personali gravi.

CONSERVARE QUESTE ISTRUZIONI.

DESCRIZIONE FUNZIONALE

ATTENZIONE:

- Prima di regolare o controllare le funzioni dell'utensile, verificare sempre di averlo spento e scollegato dall'alimentazione.

Blocco dell'albero (Fig. 1)

ATTENZIONE:

- Non usare il blocco dell'albero mentre il mandrino è in funzione. L'uso in tali condizioni può danneggiare l'utensile.

Premere il blocco dell'albero per evitare la rotazione del mandrino durante l'installazione o la rimozione degli accessori.

Azionamento dell'interruttore

ATTENZIONE:

- Prima di collegare l'utensile, controllare se l'interruttore funziona correttamente e ritorna alla posizione "OFF" una volta rilasciato.

Per utensili con interruttore di tipo A (Fig. 2)

Per utensili senza pulsante di blocco e sicura

Per accendere l'utensile è sufficiente tirare l'interruttore. Per spegnere l'utensile, rilasciare l'interruttore.

Per utensili con il pulsante di blocco

La sicura consente di evitare di azionare involontariamente l'interruttore. Per accendere l'utensile spingere la sicura e premere l'interruttore di accensione. Per spegnere l'utensile, rilasciare l'interruttore. Per il funzionamento continuo, spingere la sicura, premere l'interruttore di accensione e quindi spingere di nuovo la sicura. Per arrestare l'utensile in funzionamento continuo premere a fondo l'interruttore e, quindi, rilasciarlo.

Per utensili con sicura

La sicura previene l'azionamento involontario dell'interruttore di accensione. Per accendere l'utensile, premere la sicura e tirare l'interruttore di accensione. Per spegnere l'utensile, rilasciare l'interruttore.

Per utensili con interruttore di tipo B (Fig. 3)

Per utensili con interruttore di blocco

Per accendere l'utensile è sufficiente premere l'interruttore (A).

Per spegnere l'utensile, rilasciare l'interruttore. Per il funzionamento continuo, premere l'interruttore (A) e, successivamente, il pulsante di blocco (B). Per arrestare l'utensile in funzionamento continuo premere a fondo l'interruttore (A) e, quindi, rilasciarlo.

Per utensili con sicura

La sicura consente di evitare di azionare involontariamente l'interruttore. Per accendere l'utensile spingere la sicura (B) e premere l'interruttore di accensione (A). Per spegnere l'utensile, rilasciare l'interruttore.

Per utensili con interruttore di blocco e sicura

La sicura consente di evitare di azionare involontariamente l'interruttore. Per accendere l'utensile spingere la sicura (B) e premere l'interruttore di accensione (A). Per spegnere l'utensile, rilasciare l'interruttore. Per il funzionamento continuo, spingere la sicura (B), premere l'interruttore di accensione e quindi spingere di nuovo la sicura (B). Per arrestare l'utensile in funzionamento continuo premere a fondo l'interruttore (A) e, quindi, rilasciarlo.

Funzione elettronica

Controllo della velocità costante (Per il modello GA5020C, GA5021C, GA6020C, GA6021C)

- Consente finiture precise grazie alla costanza della velocità di rotazione anche in condizioni di carico.
- Inoltre, quando il carico dell'utensile supera i livelli consentiti, la potenza fornita al motore viene ridotta per evitare che il motore si surriscaldi. Quando il carico ritorna ai livelli consentiti, l'utensile riprende a funzionare normalmente.

Funzione di avvio morbido

- L'avvio morbido permette di rimuovere colpi e scosse iniziali.

Spia luminosa (Fig. 4)

La spia luminosa diventa verde quando l'utensile è collegato alla presa di corrente. Se la spia non si accende, il cavo di alimentazione o il controller potrebbero essere difettosi. Se la spia si accende ma l'utensile non si avvia nonostante sia acceso, potrebbero essersi usurate le spazzole di carbone oppure il controller, il motore o l'interruttore potrebbero essere difettosi.

Prova di riavvio involontario

Se si blocca la leva tenendo premuto l'interruttore (Posizione di blocco), l'utensile non si riaccende anche se collegato alla presa di corrente.

In questo momento, la spia luminosa diventa rossa e mostra che il dispositivo a prova di riavvio involontario è in funzione.

Per annullare la prova di riavvio involontario, premere a fondo l'interruttore e, quindi, rilasciarlo.

MONTAGGIO

ATTENZIONE:

- Accertarsi sempre che l'utensile sia spento e scollegato dalla presa di corrente prima di iniziare qualsiasi operazione su di esso.

Installazione dell'impugnatura laterale (maniglia) (Fig. 5)

ATTENZIONE:

- Accertarsi sempre che l'impugnatura laterale sia montata correttamente prima di fare funzionare l'utensile.

Avvitare saldamente l'impugnatura sul punto dell'utensile mostrato in figura.

Installazione dell'impugnatura ad anello (accessorio)

ATTENZIONE:

- Accertarsi sempre che l'impugnatura ad anello sia montata correttamente prima di fare funzionare l'utensile. (Fig. 6)

Accertarsi sempre che l'impugnatura ad anello sia montata correttamente prima di fare funzionare l'utensile. Durante il funzionamento, tenere sempre saldamente l'utensile con una mano sull'impugnatura dell'interruttore e l'altra sull'impugnatura ad anello.

Installare l'impugnatura ad anello in modo che la sporgenza del foro corrisponda all'alloggiamento dell'ingranaggio.

Installare i bulloni e serrarli con la chiave esagonale. L'impugnatura ad anello può essere installata in due direzioni diverse come mostrato nelle figure, a prescindere dall'impugnatura più comoda per il proprio lavoro. (Fig. 7 e 8)

Installazione o rimozione della protezione disco

ATTENZIONE:

- Durante l'uso di un disco con centro depresso/multidisco, di un disco flessibile, di una spazzola metallica per dischi, di un disco per taglio o di un disco diamantato, la protezione disco deve essere montata sull'utensile in modo che il lato più vicino della protezione sia sempre rivolto verso l'operatore.

Per utensili con protezione disco tipo chiusura con vite (Fig. 9)

Montare la protezione disco con la sporgenza della banda di protezione disco allineata con la tacca presente sull'alloggiamento del cuscinetto.

Ruotare quindi la protezione disco di 180 gradi in senso antiorario. Serrare la vite fino in fondo.

Per rimuovere la protezione disco, attenersi alla procedura di installazione procedendo in senso inverso.

Per utensili con protezione disco tipo leva morsetto (Fig. 10 e 11)

Dopo aver allentato la vite, allentare la leva posizionata sulla protezione disco. Montare la protezione disco con la sporgenza della banda di protezione disco allineata con la tacca presente sull'alloggiamento del cuscinetto. Ruotare quindi la protezione disco fino alla posizione mostrata in

figura. Serrare la leva per fissare la protezione disco. Se la leva è troppo serrata o troppo allentata per fissare la protezione disco, allentare o serrare la vite per regolare il fissaggio della banda di protezione disco.

Per rimuovere la protezione disco, attenersi alla procedura di installazione procedendo in senso inverso.

Installazione o rimozione di un disco con centro depresso/multidisco (accessorio)

AVVERTENZA:

- Utilizzare sempre la protezione in dotazione quando sull'utensile è in uso un disco con centro depresso/multidisco. Il disco può frantumarsi durante l'uso e la protezione aiuta a ridurre le possibilità di infortuni. (Fig. 12)

Montare la flangia interna sul mandrino. Montare il disco o la mola sulla flangia interna e avvitare il controdado sul mandrino.

Per serrare il controdado, premere saldamente il blocco dell'albero in modo da evitare la rotazione del mandrino, quindi utilizzare l'apposita chiave per serrare il controdado girando in senso orario. (Fig. 13)

Per rimuovere il disco, attenersi alla procedura di installazione procedendo in senso inverso.

FUNZIONAMENTO

AVVERTENZA:

- Non dovrebbe essere mai necessario forzare l'utensile. Il peso stesso dell'utensile esercita una pressione adeguata. Una forza o una pressione eccessiva possono provocare una rottura pericolosa del disco.
- Sostituire SEMPRE il disco se l'utensile è caduto durante la smerigliatura.
- Non sbattere MAI o fare urtare il disco o la mola contro il pezzo.
- Evitare di fare rimbalzare o urtare il disco, in particolare durante il lavoro negli angoli, sui bordi aguzzi e così via. Ciò potrebbe causare la perdita di controllo e contraccolpi.
- Non usare MAI l'utensile con lame per il taglio del legno o altre seghe. Se utilizzate con le smerigliatrici, tali lame danno frequentemente dei contraccolpi causando perdite di controllo con pericolo di lesioni.

ATTENZIONE:

- Dopo l'uso, spegnere sempre l'utensile e attendere che il disco si sia fermato prima di riporlo.

Smerigliatura e carteggiatura (Fig. 14)

Tenere SEMPRE saldamente l'utensile con una mano sull'impugnatura posteriore e l'altra sull'impugnatura laterale. Accendere l'utensile e applicare il disco o la mola sul pezzo.

In linea generale, tenere il bordo del disco o della mola a un angolo di circa 15 gradi rispetto alla superficie del pezzo.

Durante il periodo di rodaggio di un nuovo disco, non spostare la smerigliatrice nella direzione B, poiché taglierebbe il pezzo. Una volta che il bordo del disco è stato arrotondato dall'uso, il disco può essere spostato in entrambe le direzioni A e B.

MANUTENZIONE

ATTENZIONE:

- Prima di effettuare controlli e operazioni di manutenzione, verificare sempre che l'utensile sia spento e scollegato.

L'utensile e le aperture di ventilazione devono essere mantenuti puliti.

Pulire regolarmente le aperture di ventilazione dell'utensile o quando iniziano a essere ostruite. (Fig. 15)

Sostituzione delle spazzole di carbone (Fig. 16)

Rimuovere e controllare periodicamente le spazzole di carbone.

Sostituire le spazzole quando sono consumate fino all'indicatore di limite. Mantenere le spazzole di carbone pulite e libere per farle slittare nei supporti.

Entrambe le spazzole di carbone devono essere sostituite contemporaneamente. Utilizzare solo spazzole di carbone identiche.

Rimuovere i coperchi dei portaspazzola con un cacciavite.

Estrarre le spazzole di carbone consumate, inserire le nuove spazzole e fissare i coperchi dei portaspazzola (Fig. 17)

Dopo aver riposto le spazzole, collegare l'utensile e inserire le spazzole e far funzionare l'utensile senza carico per circa 10 minuti. Controllare quindi l'utensile durante il funzionamento e l'operazione di frenatura elettrica quando l'interruttore viene rilasciato. Se il freno elettrico non funziona bene, rivolgersi al centro assistenza Makita di zona per la riparazione. (Per i modelli GA5020/GA6020)

Per mantenere la SICUREZZA e l'AFFIDABILITÀ del prodotto, le riparazioni e qualsiasi altra operazione di manutenzione o regolazione devono essere eseguiti dai centri di assistenza autorizzati Makita utilizzando sempre parti di ricambio Makita.

ACCESSORI

ATTENZIONE:

- L'utensile Makita descritto in questo manuale può essere utilizzato con tali accessori. L'uso di qualsiasi altro accessorio potrebbe provocare lesioni personali. Utilizzare esclusivamente gli accessori per l'uso dichiarato.
- L'utensile è munito di una protezione per l'uso con un disco con centro depresso/multidisco e di una spazzola metallica per dischi. È anche possibile utilizzare un disco di taglio con una protezione facoltativa. Se si decide di utilizzare la smerigliatrice Makita con accessori approvati che è possibile acquistare presso il distributore o il centro di assistenza Makita, procurarsi ed utilizzare tutti i fissaggi e protezioni necessarie consigliati in questo manuale. In caso contrario, si potrebbero subire lesioni personali, nonché causare lesioni a terzi.

Per l'assistenza e ulteriori informazioni su tali accessori, rivolgersi al centro di assistenza Makita locale.

- Protezione disco (coperchio disco)
- Flangia interna
- Dischi con centro depresso
- Controdado (per disco con centro depresso)

- Gommino
- Dischi abrasivi
- Controdado (per dischi abrasivi)
- Chiave controdado
- Spazzola di ferro
- Impugnatura laterale
- Impugnatura ad anello
- Coperchio antipolvere

Per il modello GA5020

Solo per i Paesi europei

Rumore

ENG102-2

Il tipico livello di rumore ponderato "A" è determinato in conformità con la norma EN60745:

Livello di pressione sonora (L_{pA}): 89 dB (A)

Livello di pressione sonora (L_{WA}): 100 dB (A)

Variazione (K): 3 dB (A)

Indossare una protezione acustica.

Vibrazione

ENG208-4

Il valore totale della vibrazione (somma vettoriale triassiale) viene determinato in conformità con la norma EN60745:

Modalità di lavoro: smerigliatura superficie

Emissione vibrazioni ($a_{h,AG}$): 9 m/s²

Variazione (K): 1,5 m/s²

Operazioni quali il taglio o la spazzolatura metallica potrebbero avere valori di emissione delle vibrazioni diversi.

Per il modello GA5021

Solo per i Paesi europei

Rumore

ENG102-2

Il tipico livello di rumore ponderato "A" è determinato in conformità con la norma EN60745:

Livello di pressione sonora (L_{pA}): 90 dB (A)

Livello di pressione sonora (L_{WA}): 101 dB (A)

Variazione (K): 3 dB (A)

Indossare una protezione acustica.

Vibrazione

ENG208-4

Il valore totale della vibrazione (somma vettoriale triassiale) viene determinato in conformità con la norma EN60745:

Modalità di lavoro: smerigliatura superficie

Emissione vibrazioni ($a_{h,AG}$): 13,5 m/s²

Variazione (K): 1,5 m/s²

Operazioni quali il taglio o la spazzolatura metallica potrebbero avere valori di emissione delle vibrazioni diversi.

Per il modello GA6020

Solo per i Paesi europei

Rumore

ENG102-2

Il tipico livello di rumore ponderato "A" è determinato in conformità con la norma EN60745:

Livello di pressione sonora (L_{pA}): 89 dB (A)

Livello di pressione sonora (L_{WA}): 100 dB (A)

Variazione (K): 3 dB (A)

Indossare una protezione acustica.

Vibrazione ENG208-4

Il valore totale della vibrazione (somma vettoriale triassiale) viene determinato in conformità con la norma EN60745:

- Modalità di lavoro: smerigliatura superficie
- Emissione vibrazioni ($a_{h,AG}$): 10 m/s²
- Variazione (K): 1,5 m/s²

Operazioni quali il taglio o la spazzolatura metallica potrebbero avere valori di emissione delle vibrazioni diversi.

Per il modello GA6021**Solo per i Paesi europei****Rumore** ENG102-2

Il tipico livello di rumore ponderato "A" è determinato in conformità con la norma EN60745:

- Livello di pressione sonora (L_{pA}): 89 dB (A)
- Livello di pressione sonora (L_{WA}): 100 dB (A)
- Variazione (K): 3 dB (A)

Indossare una protezione acustica.**Vibrazione** ENG208-4

Il valore totale della vibrazione (somma vettoriale triassiale) viene determinato in conformità con la norma EN60745:

- Modalità di lavoro: smerigliatura superficie
- Emissione vibrazioni ($a_{h,AG}$): 6,5 m/s²
- Variazione (K): 1,5 m/s²

Operazioni quali il taglio o la spazzolatura metallica potrebbero avere valori di emissione delle vibrazioni diversi.

Per il modello GA5020C**Solo per i Paesi europei****Rumore** ENG102-2

Il tipico livello di rumore ponderato "A" è determinato in conformità con la norma EN60745:

- Livello di pressione sonora (L_{pA}): 90 dB (A)
- Livello di pressione sonora (L_{WA}): 101 dB (A)
- Variazione (K): 3 dB (A)

Indossare una protezione acustica.**Vibrazione** ENG208-4

Il valore totale della vibrazione (somma vettoriale triassiale) viene determinato in conformità con la norma EN60745:

- Modalità di lavoro: smerigliatura superficie
- Emissione vibrazioni ($a_{h,AG}$): 9,5 m/s²
- Variazione (K): 1,5 m/s²

Operazioni quali il taglio o la spazzolatura metallica potrebbero avere valori di emissione delle vibrazioni diversi.

Per il modello GA5021C**Solo per i Paesi europei****Rumore** ENG102-2

Il tipico livello di rumore ponderato "A" è determinato in conformità con la norma EN60745:

- Livello di pressione sonora (L_{pA}): 90 dB (A)
- Livello di pressione sonora (L_{WA}): 101 dB (A)
- Variazione (K): 3 dB (A)

Indossare una protezione acustica.**Vibrazione** ENG208-4

Il valore totale della vibrazione (somma vettoriale triassiale) viene determinato in conformità con la norma EN60745:

- Modalità di lavoro: smerigliatura superficie
- Emissione vibrazioni ($a_{h,AG}$): 8,5 m/s²
- Variazione (K): 1,5 m/s²

Operazioni quali il taglio o la spazzolatura metallica potrebbero avere valori di emissione delle vibrazioni diversi.

Per il modello GA6020C**Solo per i Paesi europei****Rumore** ENG102-2

Il tipico livello di rumore ponderato "A" è determinato in conformità con la norma EN60745:

- Livello di pressione sonora (L_{pA}): 91 dB (A)
- Livello di pressione sonora (L_{WA}): 102 dB (A)
- Variazione (K): 3 dB (A)

Indossare una protezione acustica.**Vibrazione** ENG208-4

Il valore totale della vibrazione (somma vettoriale triassiale) viene determinato in conformità con la norma EN60745:

- Modalità di lavoro: smerigliatura superficie
- Emissione vibrazioni ($a_{h,AG}$): 9,0 m/s²
- Variazione (K): 1,5 m/s²

Operazioni quali il taglio o la spazzolatura metallica potrebbero avere valori di emissione delle vibrazioni diversi.

Per il modello GA6021C**Solo per i Paesi europei****Rumore** ENG102-2

Il tipico livello di rumore ponderato "A" è determinato in conformità con la norma EN60745:

- Livello di pressione sonora (L_{pA}): 90 dB (A)
- Livello di pressione sonora (L_{WA}): 101 dB (A)
- Variazione (K): 3 dB (A)

Indossare una protezione acustica.**Vibrazione** ENG208-4

Il valore totale della vibrazione (somma vettoriale triassiale) viene determinato in conformità con la norma EN60745:

- Modalità di lavoro: smerigliatura superficie
- Emissione vibrazioni ($a_{h,AG}$): 8,5 m/s²
- Variazione (K): 1,5 m/s²

Operazioni quali il taglio o la spazzolatura metallica potrebbero avere valori di emissione delle vibrazioni diversi.

Dichiarazione di conformità CE ENH101-12**Makita Corporation, in qualità di produttore responsabile, dichiara che gli utensili Makita indicati di seguito:**

Denominazione dell'utensile: Smerigliatrice angolare
N. modello /Tipo: GA5020/C, GA5021/C, GA6020/C, GA6021/C

appartengono a una produzione in serie e sono conformi alle seguenti direttive europee:

98/37/CE fino al 28 dicembre 2009 e successivamente alla direttiva 2006/42/CE a partire dal 29 dicembre 2009

Sono inoltre prodotti in conformità con gli standard o i documenti standardizzati riportati di seguito:

EN60745

La documentazione tecnica viene conservata dal rappresentante autorizzato Makita in Europa, ovvero:

Makita International Europe Ltd,
Michigan, Drive, Tongwell,
Milton Keynes, MK15 8JD, Inghilterra

30 gennaio 2009



Tomoyasu Kato
Direttore

Makita Corporation
3-11-8, Sumiyoshi-cho,
Anjo, Aichi, JAPAN

Verklaring van algemene gegevens

- | | | |
|------------------------------------------|--------------------|---------------------------------|
| 1. Asvergrendeling | 9. Beugelhandgreep | 17. Slijpschijf/multischijf met |
| 2. Vergrendelknop/uit-
vergrendelknop | 10. Inbussleutel | verzonken middengat |
| 3. Aan/uit-schakelaar (type A) | 11. Bout | 18. Binnenflens |
| 4. Vergrendelknop | 12. Beschermkap | 19. Borgmoersleutel |
| 5. Aan/uit-schakelaar (type B) | 13. Schroef | 20. Luchtuitlaatopening |
| 6. Bedrijfslampje | 14. Kussenblokkast | 21. Luchtinlaatopening |
| 7. Uitsteeksel op beugelhandgreep | 15. Hendel | 22. Slijtgrensmarkering |
| 8. Pasgat in motorhuis | 16. Borgmoer | 23. Koolborsteldop |
| | | 24. Schroevendraaier |

TECHNISCHE GEGEVENS

Model	GA5020	GA5021	GA5020C/ GA5021C	GA6020	GA6021	GA6020C/ GA6021C
Diameter van schijf met een verzonken middengat	125 mm	125 mm	125 mm	150 mm	150 mm	150 mm
Asschroefdraad	M14	M14	M14	M14	M14	M14
Nullasttoerental (n ₀)/ nominaal toerental (n)	11,000 min ⁻¹	11,000 min ⁻¹	10,000 min ⁻¹	10,000 min ⁻¹	10,000 min ⁻¹	9,000 min ⁻¹
Totale lengte	356 mm	384 mm	390 mm	356 mm	384 mm	390 mm
Netto gewicht	2,7 kg	2,7 kg	2,9 kg	3,0 kg	2,8 kg	3,0 kg
Veiligheidsklasse	II/III					

- Als gevolg van ons doorlopende onderzoeks- en ontwikkelingsprogramma, zijn de technische gegevens van dit gereedschap onderhevig aan veranderingen zonder voorafgaande kennisgeving.
- De technische gegevens kunnen van land tot land verschillen.
- Gewicht volgens EPTA-procedure 01/2003

Gebruiksdoeleinden

ENE048-1

Dit gereedschap is bedoeld voor het slijpen, schuren en snijden van metaal en steen zonder gebruik van water.

Voeding

ENF002-1

Het gereedschap mag uitsluitend worden aangesloten op een voeding met dezelfde spanning als aangegeven op het identificatieplaatje en werkt alleen op enkele-fase wisselstroom. Het gereedschap is dubbel geïsoleerd volgens de Europese norm en mag derhalve ook op een niet-geaard stopcontact worden aangesloten.

**SPECIFIEKE
VEILIGHEIDSVORSCHRIFTEN**

GEB033-2

Laat u NIET misleiden door een vals gevoel van comfort en bekendheid met het gereedschap (na veelvuldig gebruik) en neem alle veiligheidsvoorschriften van de slijpmachine altijd strikt in acht. Bij onveilig of verkeerd gebruik van het gereedschap, bestaat de kans op ernstig persoonlijk letsel.

Gemeenschappelijke veiligheidswaarschuwingen voor slijp-, schuur-, draadborstel- en doorslijpwerkzaamheden:

1. Dit elektrisch gereedschap is bedoeld voor gebruik als slijp-, schuur-, draadborstel- of doorslijpgereedschap. Lees alle veiligheidswaarschuwingen, instructies, afbeeldingen en technische gegevens die bij dit elektrisch gereedschap worden geleverd. Als u

nalaat alle onderstaande instructies te volgen, kan dit leiden tot een elektrische schok, brand en/of ernstig letsel.

2. **Werkzaamheden zoals polijsten worden niet aangeraden met dit elektrisch gereedschap.** Werkzaamheden waarvoor dit elektrisch gereedschap niet is bedoeld kunnen gevaarlijke situaties opleveren en tot persoonlijk letsel leiden.
3. **Gebruik geen accessoires die niet specifiek zijn ontworpen en aanbevolen door de fabrikant van het gereedschap.** Ook wanneer het accessoire kan worden bevestigd op uw elektrisch gereedschap, is een veilige werking niet gegarandeerd.
4. **Het nominaal toerental van het accessoire moet minstens gelijk zijn aan het maximumtoerental vermeld op het elektrisch gereedschap.** Accessoires die met een hoger toerental draaien dan hun nominaal toerental kunnen stuk breken en in het rond vliegen.
5. **De buitendiameter en de dikte van het accessoire moet binnen het capaciteitsbereik van het elektrisch gereedschap vallen.** Accessoires met verkeerde afmetingen kunnen niet afdoende worden afgeschermd of beheerd.
6. **De asdiameter van schijven, flenzen, rugschijven en andere accessoires moeten goed passen rond de as van het elektrisch gereedschap.** Accessoires met een asdiameter die niet overeenkomt met de standaardhardware voor het elektrisch gereedschap zullen niet in balans draaien, buitensporig trillen en kunnen tot verlies van controle over het gereedschap leiden.

7. **Gebruik nooit een beschadigd accessoire.** Inspecteer het accessoire vóór ieder gebruik, bijvoorbeeld een slijpschijf op ontbrekende schiffers en barsten; een rugschijf op barsten, scheuren of buitensporige slijtage; en een draadborstel op losse of gebarsten draden. Nadat het elektrisch gereedschap is gevallen, inspecteert u het op schade of monteert u een onbeschadigd accessoire. Na inspectie en montage van een accessoire, zorgt u ervoor dat u en omstanders niet in het rotatie vlak van het accessoire staan, en laat u het elektrisch gereedschap draaien op het maximaal, onbelast toerental gedurende één minuut. Beschadigde accessoire breken normaal gesproken in stukken gedurende deze testduur.
 8. **Gebruik persoonlijke veiligheidsmiddelen. Afhankelijk van de toepassing gebruikt u een spat scherm, een beschermende bril of een veiligheidsbril. Al naar gelang van toepassing draagt u een stofmasker, gehoorbeschermers, handschoenen en een werkschort die in staat zijn kleine stukjes slijpsel of werkstukfragmenten te weerstaan.** De oogbescherming moet in staat zijn rondvliegend afval te stoppen dat ontstaat bij de diverse werkzaamheden. Het stofmasker of ademhalingsapparaat moet in staat zijn deeltjes te filteren die ontstaat bij de werkzaamheden. Langdurige blootstelling aan zeer intens geluid kan leiden tot gehoorbeschadiging.
 9. **Houd omstanders op veilige afstand van het werkgebied. Iedereen die zich binnen het werkgebied begeeft, moet persoonlijke veiligheidsmiddelen gebruiken.** Fragmenten van het werkstuk of van een uiteengevallen accessoire kunnen rondvliegen en letsel veroorzaken buiten de onmiddellijke werkomgeving.
 10. **Houd elektrisch gereedschap uitsluitend vast aan het geïsoleerde oppervlak van de handgrepen wanneer u werkt op plaatsen waar het slijpaccessoire met verborgen bedrading of zijn eigen snoer in aanraking kan komen.** Wanneer het slijpaccessoire in aanraking komt met onder spanning staande draden, zullen ook de niet-geïsoleerde metalen delen van het elektrisch gereedschap onder spanning komen te staan zodat de gebruiker een elektrische schok kan krijgen.
 11. **Houd het snoer goed uit de buurt van het ronddraaiende accessoire.** Als u de controle verliest over het gereedschap, kan het snoer worden doorgesneden of bekneld raken, en kan uw hand of arm tegen het ronddraaiende accessoire worden aangetrokken.
 12. **Leg het elektrisch gereedschap nooit neer voordat het accessoire volledig tot stilstand is gekomen.** Het ronddraaiende accessoire kan de ondergrond pakken zodat u de controle over het elektrisch gereedschap verliest.
 13. **Laat het elektrisch gereedschap niet draaien terwijl u het naast u draagt.** Als het ronddraaiende accessoire u per ongeluk raakt, kan het verstrikt raken in uw kleding waardoor het accessoire in uw lichaam wordt getrokken.
 14. **Maak de ventilatieopeningen van het gereedschap regelmatig schoon.** De ventilator van de motor zal het stof de behuizing in trekken, en een grote opeenhoping van metaalslijpsel kan leiden tot elektrisch gevaarlijke situaties.
 15. **Gebruik het elektrisch gereedschap niet in de buurt van brandbare materialen.** Vonken kunnen deze materialen doen ontvlammen.
 16. **Gebruik geen accessoires die met vloeistof moeten worden gekoeld.** Het gebruik van water of andere vloeibare koelmiddelen kan leiden tot elektrocutie of elektrische schokken.
- Terugslag en aanverwante waarschuwingen**
- Terugslag is een plotselinge reactie op een beknelde of vastgelopen draaiende schijf, rugschijf, borstel of enig ander accessoire. Beknellen of vastlopen veroorzaakt een snelle stilstand van het draaiende accessoire dat op zijn beurt ertoe leidt dat het elektrisch gereedschap zich ongecontroleerd beweegt in de tegenovergestelde richting van de draairichting van het accessoire op het moment van vastlopen.
- Bijvoorbeeld, als een slijpschijf bekneld raakt of vastloopt in het werkstuk, kan de rand van de schijf die het beknellingspunt ingaat, zich invreten in het oppervlak van het materiaal waardoor de schijf eruit klimt of eruit slaat. De schijf kan daarbij naar de gebruiker toe of weg springen, afhankelijk van de draairichting van de schijf op het beknellingspunt. Slijpschijven kunnen in dergelijke situaties ook breken.
- Terugslag is het gevolg van misbruik van het elektrisch gereedschap en/of onjuiste gebruiksprocedures of -omstandigheden, en kan worden voorkomen door goede voorzorgsmaatregelen te treffen, zoals hieronder vermeld:
- a) **Houd het gereedschap stevig vast en houdt uw armen en lichaam zodanig dat u in staat bent een terugslag op te vangen. Gebruik altijd de extra handgreep (indien aanwezig) voor een maximale controle over het gereedschap in geval van terugslag en koppelreactie bij het starten.** De gebruiker kan een terugslag of de koppelreactie opvangen indien de juiste voorzorgsmaatregelen worden getroffen.
 - b) **Plaats uw hand nooit in de buurt van het draaiende accessoire.** Het accessoire kan terugslaan over uw hand.
 - c) **Plaats uw lichaam niet in het gebied waar het elektrisch gereedschap naar toe gaat wanneer een terugslag optreedt.** Een terugslag zal het gereedschap bewegen in de tegenovergestelde richting van de draairichting van de schijf op het moment van beknellen.
 - d) **Wees bijzonder voorzichtig bij het werken met hoeken, scherpe randen, enz. Voorkom dat het accessoire springt of bekneld raakt.** Hoeken, scherpe randen of springen veroorzaken vaak beknellen van het draaiende accessoire wat leidt tot terugslag of verlies van controle over het gereedschap.
 - e) **Bevestig geen houtbewerkingsblad van een zaagketting of getand zaagblad.** Dergelijke bladen leiden vaak tot terugslag of verlies van controle over het gereedschap.

Veiligheidswaarschuwingen specifiek voor slijp- en doorslijpwerkzaamheden:

- a) **Gebruik uitsluitend schijven van het type aanbevolen voor uw elektrisch gereedschap en de specifieke beschermkap voor de te gebruiken schijf.** Schijven waarvoor het elektrisch gereedschap niet is ontworpen, kunnen niet goed worden afgeschermd en zijn niet veilig.
- b) **De beschermkap moet stevig worden vastgezet aan het elektrisch gereedschap en in de maximaal beschermende stand worden gezet zodat het kleinst mogelijke deel van de schijf is blootgesteld in de richting van de gebruiker.** De beschermkap helpt de gebruiker te beschermen tegen afgebroken stukjes van de schijf en het per ongeluk aanraken van de schijf.
- c) **De schijven mogen uitsluitend worden gebruikt voor de aanbevolen toepassingen. Bijvoorbeeld: u mag niet slijpen met de zijkant van een doorslijpschijf.** Doorslijpschijven zijn bedoeld voor slijpen met de rand. Krachten op het zijoppervlak kunnen deze schijven doen breken.
- d) **Gebruik altijd onbeschadigde schijfflensen van de juiste afmetingen en vorm voor de te gebruiken schijf.** Een goede schijfflens ondersteunt de schijf en verkleint daarmee de kans op het breken van de schijf. Flenzen voor doorslijpschijven kunnen verschillen van flenzen voor slijpschijven.
- e) **Gebruik geen afgesleten schijven van grotere elektrische gereedschappen.** Schijven die zijn bedoeld voor grotere elektrische gereedschappen zijn niet geschikt voor de hogere snelheid van een kleiner elektrisch gereedschap en kunnen in stukken breken.

Aanvullende veiligheidswaarschuwingen specifiek voor doorslijpwerkzaamheden:

- a) **Laat de doorslijpschijf niet vastlopen en oefen geen buitensporige druk uit. Probeer niet een buitensporig diepe snede te slijpen.** Een te grote kracht op de schijf verhoogt de belasting en de kans dat de schijf in de snede verdraait of vastloopt, waardoor terugslag kan optreden of de schijf kan breken.
- b) **Plaats uw lichaam niet in één lijn achter de ronddraaiende schijf.** Wanneer de schijf, op het aangrijppunt in het werkstuk, zich van uw lichaam af beweegt, kunnen door de mogelijke terugslag de ronddraaiende schijf en het elektrisch gereedschap in uw richting worden geworpen.
- c) **Wanneer de schijf vastloopt of u het slijpen onderbreekt, schakelt u het elektrisch gereedschap uit en houdt u dit stil totdat de schijf volledig tot stilstand is gekomen. Probeer nooit de doorslijpschijf uit de snede te halen terwijl de schijf nog draait omdat hierdoor een terugslag kan optreden.** Onderzoek waarom de schijf is vastgelopen en tref afdoende maatregelen om de oorzaak ervan op te heffen.
- d) **Begin niet met doorslijpen terwijl de schijf al in het werkstuk steekt. Wacht totdat de schijf de volle snelheid heeft bereikt en breng daarna de schijf voorzichtig terug in de snede.** Wanneer het elektrisch gereedschap opnieuw wordt gestart terwijl

de schijf al in het werkstuk steekt, kan de schijf vastlopen, omhoog lopen of terugslaan.

- e) **Ondersteun platen en grote werkstukken om de kans op het beknellen van de schijf en terugslag te minimaliseren.** Grote werkstukken neigen door te zakken onder hun eigen gewicht. U moet het werkstuk ondersteunen vlakbij de snijlijn en vlakbij de rand van het werkstuk aan beide kanten van de schijf.
- f) **Wees extra voorzichtig bij blind slijpen in bestaende wanden of op andere plaatsen.** De uitstekende schijf kan gas- of waterleidingen, elektrische bedrading of voorwerpen die terugslag veroorzaken raken.

Veiligheidswaarschuwingen specifiek voor schuurwerkzaamheden:

- a) **Gebruik geen veel te grote schuurpapierschijven. Volg de aanwijzingen van de fabrikant bij uw keuze van het schuurpapier.** Te groot schuurpapier dat uitsteekt tot voorbij de rand van het schuurkussen levert snijgevaar op en kan beknellen of scheuren van de schuurpapierschijf of terugslag veroorzaken.

Veiligheidswaarschuwingen specifiek voor draadborstelwerkzaamheden:

- a) **Wees erop bedacht dat ook tijdens normaal gebruik borsteldraden door de borstel worden rondgeslingerd. Oefen niet te veel kracht uit op de borsteldraden door een te hoge belasting van de borstel.** De borsteldraden kunnen met gemak door dunne kleding en/of de huid dringen.
- b) **Als het gebruik van een beschermkap wordt aanbevolen voor draadborstelen, zorgt u ervoor dat de draadschijf of draadborstel niet in aanraking komt met de beschermkap.** De draadschijf of draadborstel kan in diameter toenemen als gevolg van de werkbelasting en centrifugale krachten.

Aanvullende veiligheidswaarschuwingen:

17. **Bij gebruik van een slijpschijf met een verzonken middengat, mag u uitsluitend met glasvezel versterkte schijven gebruiken.**
18. **Let erop dat u de as, de flens (met name de montagekant) en de borgmoer niet beschadigt. Als deze onderdelen beschadigd raken, kan de schijf breken.**
19. **Zorg ervoor dat de schijf niet in aanraking is met het werkstuk voordat u het gereedschap hebt ingeschakeld.**
20. **Laat het gereedschap een tijdje draaien voordat u het op het werkstuk gebruikt. Controleer op trillingen of schommelingen die op onjuiste montage of een slecht uitgebalanceerde schijf kunnen wijzen.**
21. **Gebruik de aangegeven kant van de schijf om mee te slijpen.**
22. **Wees alert op rondvliegende vonken. Houd het gereedschap zodanig vast dat de vonken wegvliegen van u en andere personen of brandbare materialen.**
23. **Laat het gereedschap niet ingeschakeld liggen. Bedien het gereedschap alleen wanneer u het vasthoudt.**

24. Raak de schijf niet onmiddellijk na gebruik aan. Deze kan bijzonder heet zijn en brandwonden op uw huid veroorzaken.
25. Controleer altijd of het gereedschap is uitgeschakeld en de stekker uit het stopcontact is getrokken of de accu is verwijderd alvorens enige werkzaamheden aan het gereedschap te verrichten.
26. Houd u aan de instructies van de fabrikant voor juiste montage en gebruik van de schijven. Behandel en bewaar de schijven zorgvuldig.
27. Gebruik geen afzonderlijke verkleinbussen of adaptelingen om slijpschijven met een groot middengat te kunnen monteren.
28. Gebruik uitsluitend flenzen die geschikt zijn voor dit gereedschap.
29. Voor gereedschappen waarop schijven met schroefdraad in het middengat kunnen worden gemonteerd, controleert u dat de schroefdraad van de schijf lang genoeg is voor de lengte van de as.
30. Controleer of het werkstuk goed wordt ondersteund.
31. Wees erop bedacht dat de schijf blijft doordraaien nadat het gereedschap is uitgeschakeld.
32. Als de werkruiimte bijzonder heet en vochtig is, of sterk vervuild is met geleidend stof, gebruik dan een kortsluitonderbreker (30 mA) om de veiligheid van de gebruiker te garanderen.
33. Gebruik het gereedschap niet op materiaal dat asbest bevat.
34. Gebruik geen water of slijpsmeermiddel.
35. Zorg ervoor dat de ventilatie-openingen niet verstopt raken bij gebruik in een stoffige omgeving. Als het noodzakelijk is het stof te verwijderen, moet u het gereedschap eerst loskoppelen van de netvoeding (gebruik hiervoor niet-metalen voorwerpen) en wees voorzichtig geen inwendige onderdelen te beschadigen.
36. Bij gebruik van een doorslijpschijf, gebruikt u altijd de stofbeschermkap, zoals vereist door plaatselijke regelgeving.
37. Doorslijpschijven mogen niet worden blootgesteld aan enige laterale druk.

WAARSCHUWING:

VERKEERD GEBRUIK of het niet volgen van de veiligheidsinstructies in deze gebruiksaanwijzing kan leiden tot ernstig persoonlijk letsel.

BEWAAR DEZE INSTRUCTIES.

BESCHRIJVING VAN DE FUNCTIES

LET OP:

- Controleer altijd of het gereedschap is uitgeschakeld en de stekker uit het stopcontact is getrokken alvorens de functies van het gereedschap te controleren of af te stellen.

Asvergrendeling (zie afb. 1)

LET OP:

- Bedien de asvergrendeling nooit terwijl de as nog draait. Het gereedschap kan hierdoor worden beschadigd.

Druk op de asvergrendeling om te voorkomen dat de as kan draaien tijdens het monteren of verwijderen van schijven of accessoires.

Werking van de aan/uit-schakelaar

LET OP:

- Controleer altijd, voordat u de stekker in het stopcontact steekt, of de aan/uit-schakelaar op de juiste manier schakelt en weer terugkeert naar de uitstand nadat deze is losgelaten.

Voor gereedschap met aan/uit-schakelaar van type A (zie afb. 2)

Voor gereedschap zonder vergrendelknop en uit-vergrendelknop

Om het gereedschap in te schakelen, knijpt u gewoon de aan/uit-schakelaar in. Laat de aan/uit-schakelaar los om het gereedschap te stoppen

Voor gereedschappen met een vergrendelknop

Om te voorkomen dat de aan/uit-schakelaar per ongeluk wordt bediend, is een vergrendelknop aangebracht. Om het gereedschap te starten, drukt u eerst op de vergrendelknop en knijpt u vervolgens de aan/uit-schakelaar in. Laat de aan/uit-schakelaar los om het gereedschap te stoppen. Om het gereedschap continu te laten werken, drukt u op de vergrendelknop, knijpt u de aan/uit-schakelaar in, en drukt u de vergrendelknop verder in. Om vanuit de vergrendelde werking het gereedschap te stoppen, knijpt u de aan/uit-schakelaar helemaal in en laat u deze vervolgens weer los.

Voor gereedschappen met een uit-vergrendelknop

Om te voorkomen dat de aan/uit-schakelaar per ongeluk wordt bediend, is een uit-vergrendelknop aangebracht. Om het gereedschap te starten, drukt u de uit-vergrendelknop in en knijpt u de aan/uit-schakelaar in. Laat de aan/uit-schakelaar los om het gereedschap te stoppen.

Voor gereedschap met aan/uit-schakelaar van type B (zie afb. 3)

Voor gereedschappen met een aan-vergrendeling

Om het gereedschap in te schakelen, knijpt u gewoon de aan/uit-schakelaar (A) in.

Laat de aan/uit-schakelaar los om het gereedschap te stoppen. Om het gereedschap continu te laten werken, knijpt u de aan/uit-schakelaar (A) in en drukt u vervolgens op de vergrendelknop (B). Om vanuit de vergrendelde werking het gereedschap te stoppen, knijpt u de aan/uit-schakelaar (A) helemaal in en laat u deze vervolgens weer los.

Voor gereedschappen met een uit-vergrendeling

Om te voorkomen dat de aan/uit-schakelaar per ongeluk wordt bediend, is een vergrendelknop aangebracht. Om het gereedschap te starten, drukt u eerst op de vergrendelknop (B) en knijpt u vervolgens de aan/uit-schakelaar (A) in. Laat de aan/uit-schakelaar los om het gereedschap te stoppen

Voor gereedschappen met een aan-vergrendeling en een uit-vergrendeling

Om te voorkomen dat de aan/uit-schakelaar per ongeluk wordt bediend, is een vergrendelknop aangebracht. Om het gereedschap te starten, drukt u eerst op de vergrendelknop (B) en knijpt u vervolgens de aan/uit-schakelaar (A) in. Laat de aan/uit-schakelaar los om het gereedschap te stoppen. Om het gereedschap continu te laten werken, drukt u op de vergrendelknop (B), knijpt u de aan/uit-schakelaar in, en drukt u de vergrendelknop (B) verder in. Om vanuit de vergrendelde werking het gereedschap te stoppen, knijpt u de aan/uit-schakelaar (A) helemaal in en laat u deze vervolgens weer los.

Elektronische aansturing

Constante-snelheidsfunctie (voor model GA5020C, GA5021C, GA6020C, GA6021C)

- Maakt een onberispelijke afwerking mogelijk omdat de draaisnelheid zelfs onder belasting constant blijft.
- Bovendien, wanneer de belasting van het gereedschap het toelaatbare niveau overschrijdt, wordt de voeding naar de motor beperkt om te voorkomen dat deze oververhit raakt. Nadat de belasting weer op een toelaatbaar niveau is teruggebracht, werkt het gereedschap weer normaal.

Zachte-startfunctie

- Maakt een zachte start mogelijk door onderdrukking van de startschok.

Indicatielampje (zie afb. 4)

Het indicatielampje gaat groen branden zodra de stekker van het gereedschap in een stopcontact wordt gestoken. Als het indicatielampje niet brandt, kan het netsnoer beschadigd of de schakeling defect zijn. Als het indicatielampje brandt, maar het gereedschap niet start, zelfs niet wanneer de schakelaar in de aan-stand wordt gezet, kunnen de koolborstels versleten zijn, of kunnen de motor, de schakeling of de aan/uit-schakelaar defect zijn.

Beveiliging tegen onbedoeld starten

Zelfs als de aan/uit-schakelaar met de vergrendelknop ingedrukt wordt gehouden (vergrendeld in de aan-stand), kan het gereedschap niet worden gestart door de stekker in het stopcontact te steken.

Op dat moment knippert het indicatielampje rood waarmee wordt aangegeven dat de beveiliging tegen onbedoeld starten in werking is getreden.

Om de beveiliging tegen onbedoeld starten te annuleren, knijpt u de aan/uit-schakelaar helemaal in en laat u deze vervolgens weer los.

ONDERDELEN AANBRENGEN/ VERWIJDEREN

LET OP:

- Controleer altijd of het gereedschap is uitgeschakeld en de stekker uit het stopcontact is getrokken alvorens enige werk aan het gereedschap uit te voeren.

De zijhandgreep monteren (handvat) (zie afb. 5)

LET OP:

- Controleer altijd voor gebruik dat de zijhandgreep stevig vastzit.

Draai de zijhandgreep vast op het gereedschap in een van de standen aangegeven in de afbeelding.

De beugelhandgreep monteren (los verkrijgbaar)

LET OP:

- Controleer altijd voor gebruik dat de beugelhandgreep stevig vastzit. (zie afb. 6)

Monteer de beugelhandgreep altijd op het gereedschap voordat u dit gebruikt. Houd tijdens gebruik van het gereedschap het schakelaarhandvat en de beugelhandgreep stevig vast met beide handen.

Bij het monteren van de beugelhandgreep moet het uitsteeksel ervan in het overeenkomstige pasgat in het motorhuis vallen.

Monteer de bouten en zet deze vast met de inbusleutel. De beugelhandgreep kan in twee verschillende richtingen worden gemonteerd, zoals aangegeven in de afbeeldingen, zodat u de richting kunt kiezen die het makkelijkst werkt. (zie afb. 7 en 8)

De beschermkap aanbrengen en verwijderen

LET OP:

- Bij gebruik van een slijpschijf/multischijf met een verzonken middengat, draadborstel of doorslijpschijf, moet de beschermkap zodanig op het gereedschap worden gemonteerd dat de gesloten zijde van de kap altijd naar de gebruiker is gekeerd.

Voor gereedschap met een beschermkap met een borgschroef (zie afb. 9)

Monteer de beschermkap met het uitsteeksel op de beschermkap-band uitgelijnd met de inkeping in de kussenblokkast.

Draai vervolgens de beschermkap 180 graden linksom. Draai tenslotte de schroef stevig vast.

Om de beschermkap te verwijderen, volgt u de procedure in omgekeerde volgorde.

Voor gereedschap met een beschermkap met een klemhendel (zie afb. 10 en 11)

Zet de hendel op de beschermkap los nadat de schroef is losgedraaid. Monteer de beschermkap met het uitsteeksel op de beschermkap-band uitgelijnd met de inkeping in de kussenblokkast. Draai vervolgens de beschermkap rond tot de stand aangegeven in de afbeelding. Zet de hendel van de beschermkap vast. Als de hendel te vast of te los zit om de beschermkap te bevestigen, draait u de schroef los of vast om de klemkracht van de beschermkap-band in te stellen.

Om de beschermkap te verwijderen, volgt u de procedure in omgekeerde volgorde.

Een slijpschijf/multischijf met een verzonken middengat (los verkrijgbaar) aanbrengen of verwijderen

WAARSCHUWING:

- Gebruik altijd de bijgeleverde beschermkap wanneer u met een slijpschijf/multischijf met een verzonken middengat werkt. De schijf kan tijdens het gebruik kapotslaan en de beschermkap helpt verwondingen voorkomen. (zie afb. 12)

Breng de binnenflens aan op de as. Monteer de schijf op de binnenflens en schroef de borgmoer op de as. Om de borgmoer vast te draaien, drukt u de asvergrendeling stevig in zodat de as niet kan draaien, en gebruikt u vervolgens de borgmoersleutel om de borgmoer stevig rechtsom vast te draaien. (zie afb. 13)

Om de schijf te verwijderen, volgt u de procedure in omgekeerde volgorde.

BEDIENING

WAARSCHUWING:

- Het moet nooit nodig zijn om grote kracht uit te oefenen op het gereedschap. Het gewicht van het gereedschap zorgt al voor voldoende druk op het werkstuk. Grote kracht en hoge druk uitoefenen kunnen ertoe leiden dat de schijf breekt. Dit is zeer gevaarlijk.
- Vervang de schijf ALTIJD als het gereedschap tijdens het slijpen is gevallen.
- Stoot of sla NOOIT met de slijpschijf tegen het werkstuk.
- Voorkom dat de schijf over het werkstuk huppelt of bekneld raakt tijdens het werken in hoeken, op scherpe randen, enz. Hierdoor kunt u de controle over het gereedschap verliezen of terugslag worden veroorzaakt.
- Gebruik het gereedschap NOOIT met zaagbladen en dergelijke. Als dergelijke zaagbladen op een slijpmachine worden gebruikt, springen ze veelal waardoor u de controle over het gereedschap verliest en persoonlijk letsel kan ontstaan.

LET OP:

- Schakel na gebruik altijd het gereedschap uit en wacht totdat de schijf volledig tot stilstand is gekomen alvorens het gereedschap neer te leggen.

Gebruik als slijpmachine of schuurmachine (zie afb. 14)

Houd het gereedschap ALTIJD stevig vast met een hand aan de achterhandgreep en de andere hand aan de zijhandgreep. Schakel het gereedschap in en breng daarna de schijf in aanraking met het werkstuk. In het algemeen geldt: houd de rand van de schijf onder een hoek van ongeveer 15 graden op het oppervlak van het werkstuk.

Tijdens de inlooperperiode van een nieuwe schijf, mag u de slijpmachine niet in de richting van pijl B gebruiken omdat de schijf dan in het werkstuk zal snijden. Nadat de rand van de schijf is afgerond door gebruik, kunt u de schijf in de richting van zowel pijl A als B gebruiken.

ONDERHOUD

LET OP:

- Zorg er altijd voor dat de machine is uitgeschakeld en de stekker uit het stopcontact is getrokken, voordat u een inspectie of onderhoud uitvoert.

Het gereedschap en de ventilatieopeningen moeten schoon gehouden worden.

Maak de ventilatieopeningen van het gereedschap regelmatig schoon of zodra de ventilatieopeningen verstopt dreigen te raken. (zie afb. 15)

De koolborstels vervangen (zie afb. 16)

Verwijder en controleer de koolborstels regelmatig. Vervang deze wanneer ze tot aan de slijtgrensmarkering zijn afgesleten. Houd de koolborstels schoon en zorg ervoor dat ze vrij kunnen bewegen in de houders. Beide koolborstels dienen tegelijkertijd te worden vervangen. Gebruik alleen identieke koolborstels. Gebruik een schroevendraaier om de koolborsteldoppen te verwijderen.

Haal de versleten koolborstels eruit, plaats de nieuwe erin, en zet de koolborsteldoppen goed vast. (zie afb. 17)

Nadat de koolborstels vervangen zijn, steekt u de stekker van het netsnoer in het stopcontact en laat u de koolborstels inlopen door het gereedschap gedurende 10 minuten onbelast te laten draaien. Test vervolgens de werking van de elektrische rem van het gereedschap door de aan/uit-schakelaar los te laten. Als de elektrische rem niet goed werkt, neemt u contact op met uw plaatselijke Makita-servicecentrum voor reparatie. (Voor de modellen GA5020 en GA6020)

Om de VEILIGHEID en BETROUWBAARHEID van het gereedschap te handhaven, dienen alle reparaties, onderhoud en afstellingen te worden uitgevoerd door een erkend Makita-servicecentrum, en altijd met gebruikmaking van originele Makita-ervangingsonderdelen.

ACCESSOIRES

LET OP:

- Deze accessoires of hulpstukken worden aanbevolen voor gebruik met het Makita-gereedschap dat in deze gebruiksaanwijzing wordt beschreven. Het gebruik van andere accessoires of hulpstukken kan gevaar voor persoonlijk letsel opleveren. Gebruik de accessoires of hulpstukken uitsluitend voor de aangegeven gebruiksdoeleinden.
- Uw gereedschap is uitgerust met een beschermkap geschikt voor gebruik met een slijpschijf/multischijf met een verzonken middengat en draadborstel. U kunt ook een doorslijpschijf gebruiken met een los verkrijgbare beschermkap. Als u uw Makita-slijpmachine gaat gebruiken met goedgekeurde accessoires die u hebt aangeschaft bij uw Makita-distributeur of -servicecentrum, zorgt u ervoor dat u alle benodigde bevestigingsmiddelen en beschermkappen aanschaft en gebruikt, zoals aanbevolen in deze handleiding. Als u dit nalaat, kan dit leiden tot persoonlijk letsel voor u en anderen.

Mocht u meer informatie willen hebben over deze accessoires, dan kunt u contact opnemen met uw plaatselijke Makita-servicecentrum.

- Beschermkap (schijfkap)

- Binnenflens
- Schijf met een verzonken middengat
- Borgmoer (voor schijf met een verzonken middengat)
- Rubberblok
- Slijpschijven
- Borgmoer (voor slijpschijven)
- Borgmoersleutel
- Komstaal draadborstel
- Zijhandgreep
- Beugelhandgreep
- Stofafdichting

Voor model GA5020

Alleen voor Europese landen

Geluid ENG102-2

Het standaard A-gewogen geluidsniveau zoals vastgesteld conform EN60745:

Geluidsdrumniveau (L_{pA}): 89 dB (A)

Geluidsdrumniveau (L_{WA}): 100 dB (A)

Onzekerheid (K): 3 dB (A)

Draag gehoorbescherming.

Trilling ENG208-4

De totale trilwaarde (triaxiale vectorsom) zoals vastgesteld volgens EN60745:

Gebruikstoepassing: oppervlak slijpen

Trillingsemissie ($a_{h,AG}$): 9 m/s²

Onzekerheid (K): 1,5 m/s²

Tijdens doorslijpen en draadborstelen kunnen andere trillingsemissiewaarden optreden.

Voor model GA5021

Alleen voor Europese landen

Geluid ENG102-2

Het standaard A-gewogen geluidsniveau zoals vastgesteld conform EN60745:

Geluidsdrumniveau (L_{pA}): 90 dB (A)

Geluidsdrumniveau (L_{WA}): 101 dB (A)

Onzekerheid (K): 3 dB (A)

Draag gehoorbescherming.

Trilling ENG208-4

De totale trilwaarde (triaxiale vectorsom) zoals vastgesteld volgens EN60745:

Gebruikstoepassing: oppervlak slijpen

Trillingsemissie ($a_{h,AG}$): 13,5 m/s²

Onzekerheid (K): 1,5 m/s²

Tijdens doorslijpen en draadborstelen kunnen andere trillingsemissiewaarden optreden.

Voor model GA6020

Alleen voor Europese landen

Geluid ENG102-2

Het standaard A-gewogen geluidsniveau zoals vastgesteld conform EN60745:

Geluidsdrumniveau (L_{pA}): 89 dB (A)

Geluidsdrumniveau (L_{WA}): 100 dB (A)

Onzekerheid (K): 3 dB (A)

Draag gehoorbescherming.

Trilling ENG208-4

De totale trilwaarde (triaxiale vectorsom) zoals vastgesteld volgens EN60745:

Gebruikstoepassing: oppervlak slijpen

Trillingsemissie ($a_{h,AG}$): 10 m/s²

Onzekerheid (K): 1,5 m/s²

Tijdens doorslijpen en draadborstelen kunnen andere trillingsemissiewaarden optreden.

Voor model GA6021

Alleen voor Europese landen

Geluid ENG102-2

Het standaard A-gewogen geluidsniveau zoals vastgesteld conform EN60745:

Geluidsdrumniveau (L_{pA}): 89 dB (A)

Geluidsdrumniveau (L_{WA}): 100 dB (A)

Onzekerheid (K): 3 dB (A)

Draag gehoorbescherming.

Trilling ENG208-4

De totale trilwaarde (triaxiale vectorsom) zoals vastgesteld volgens EN60745:

Gebruikstoepassing: oppervlak slijpen

Trillingsemissie ($a_{h,AG}$): 6,5 m/s²

Onzekerheid (K): 1,5 m/s²

Tijdens doorslijpen en draadborstelen kunnen andere trillingsemissiewaarden optreden.

Voor model GA5020C

Alleen voor Europese landen

Geluid ENG102-2

Het standaard A-gewogen geluidsniveau zoals vastgesteld conform EN60745:

Geluidsdrumniveau (L_{pA}): 90 dB (A)

Geluidsdrumniveau (L_{WA}): 101 dB (A)

Onzekerheid (K): 3 dB (A)

Draag gehoorbescherming.

Trilling ENG208-4

De totale trilwaarde (triaxiale vectorsom) zoals vastgesteld volgens EN60745:

Gebruikstoepassing: oppervlak slijpen

Trillingsemissie ($a_{h,AG}$): 9,5 m/s²

Onzekerheid (K): 1,5 m/s²

Tijdens doorslijpen en draadborstelen kunnen andere trillingsemissiewaarden optreden.

Voor model GA5021C

Alleen voor Europese landen

Geluid ENG102-2

Het standaard A-gewogen geluidsniveau zoals vastgesteld conform EN60745:

Geluidsdrumniveau (L_{pA}): 90 dB (A)

Geluidsdrumniveau (L_{WA}): 101 dB (A)

Onzekerheid (K): 3 dB (A)

Draag gehoorbescherming.

Trilling ENG208-4

De totale trilwaarde (triaxiale vectorsom) zoals vastgesteld volgens EN60745:

Gebruikstoepassing: oppervlak slijpen

Trillingsemissie ($a_{h,AG}$): 8,5 m/s²

Onzekerheid (K): 1,5 m/s²

Tijdens doorslijpen en draadborstelen kunnen andere trillingsemissiewaarden optreden.

Voor model GA6020C

Alleen voor Europese landen

Geluid ENG102-2

Het standaard A-gewogen geluidsniveau zoals vastgesteld conform EN60745:

Geluidsdrumniveau (L_{pA}): 91 dB (A)

Geluidsdrumniveau (L_{WA}): 102 dB (A)

Onzekerheid (K): 3 dB (A)

Draag gehoorbescherming.

Trilling ENG208-4

De totale trilwaarde (triaxiale vectorsom) zoals

vastgesteld volgens EN60745:

Gebruikstoepassing: oppervlak slijpen

Trillingsemissie ($a_{h,AG}$): 9,0 m/s²

Onzekerheid (K): 1,5 m/s²

Tijdens doorslijpen en draadborstelen kunnen andere trillingsemissiewaarden optreden.

Voor model GA6021C

Alleen voor Europese landen

Geluid ENG102-2

Het standaard A-gewogen geluidsniveau zoals

vastgesteld conform EN60745:

Geluidsdrukkniveau (L_{pA}): 90 dB (A)

Geluidsdrukkniveau (L_{WA}): 101 dB (A)

Onzekerheid (K): 3 dB (A)

Draag gehoorbescherming.

Trilling ENG208-4

De totale trilwaarde (triaxiale vectorsom) zoals

vastgesteld volgens EN60745:

Gebruikstoepassing: oppervlak slijpen

Trillingsemissie ($a_{h,AG}$): 8,5 m/s²

Onzekerheid (K): 1,5 m/s²

Tijdens doorslijpen en draadborstelen kunnen andere trillingsemissiewaarden optreden.

EU-verklaring van conformiteit ENH101-12

Wij, Makita Corporation, als de verantwoordelijke fabrikant, verklaren dat de volgende Makita-machine(s):

Aanduiding van de machine: Haakse slijpmachine

Modelnr./Type: GA5020/C, GA5021/C, GA6020/C,

GA6021/C

in serie zijn geproduceerd en

Voldoen aan de volgende Europese richtlijnen:

98/37/EC tot en met 28 december 2009 en daarna

aan 2006/42/EC vanaf 29 december 2009

En zijn gefabriceerd in overeenstemming met de volgende normen of genormaliseerde documenten:

EN60745

De technische documentatie wordt bewaard door onze erkende vertegenwoordiger in Europa, te weten:

Makita International Europe Ltd.,

Michigan Drive, Tongwell,

Milton Keynes, MK15 8JD, Engeland

30 januari 2009



Tomoyasu Kato
Directeur

Makita Corporation
3-11-8, Sumiyoshi-cho,
Anjo, Aichi, JAPAN

Descripción y visión general

- | | | |
|-----------------------------------------------|------------------------|--------------------------------------------------|
| 1. Bloqueo del eje | 9. Asa | 17. Disco de amolar de centro hundido/multidisco |
| 2. Botón de bloqueo/desbloqueo | 10. Llave Allen | 18. Brida interior |
| 3. Interruptor disparador (tipo A) | 11. Perno | 19. Llave de la contratuerca |
| 4. Palanca de bloqueo | 12. Protector de disco | 20. Abertura de salida de aire |
| 5. Interruptor disparador (tipo B) | 13. Tornillo | 21. Abertura de entrada de aire |
| 6. Luz indicadora | 14. Caja de cojinetes | 22. Marca de límite |
| 7. Saliente del asa | 15. Palanca | 23. Tapa del portaescobillas |
| 8. Orificio de encaje en la caja de engranaje | 16. Contratuerca | 24. Destornillador |

ESPECIFICACIONES

Modelo	GA5020	GA5021	GA5020C/ GA5021C	GA6020	GA6021	GA6020C/ GA6021C
Diámetro del disco con el centro rebajado	125 mm	125 mm	125 mm	150 mm	150 mm	150 mm
Rosca del husillo	M14	M14	M14	M14	M14	M14
Velocidad en vacío (n ₀)/ Velocidad nominal (n)	11,000 mín ⁻¹	11,000 mín ⁻¹	10,000 mín ⁻¹	10,000 mín ⁻¹	10,000 mín ⁻¹	9,000 mín ⁻¹
Longitud total	356 mm	384 mm	390 mm	356 mm	384 mm	390 mm
Peso neto	2,7 kg	2,7 kg	2,9 kg	3,0 kg	2,8 kg	3,0 kg
Clase de seguridad	II					

- Debido a nuestro programa continuo de investigación y desarrollo, las especificaciones aquí descritas están sujetas a cambios sin previo aviso.
- Las especificaciones pueden ser diferentes en cada país.
- Peso de acuerdo con el procedimiento EPTA 01/2003

Uso previsto ENE048-1
La herramienta ha sido prevista para amolar, lijar y cortar metal y materiales de piedra sin usar agua.

Alimentación ENF002-1
La herramienta debe conectarse solamente a una fuente de alimentación de la misma tensión que la indicada en la placa de características, y sólo puede funcionar con corriente alterna monofásica. El sistema de doble aislamiento de la herramienta cumple con las normas europeas y puede, por lo tanto, usarse también en tomas de corriente sin conductor de tierra.

NORMAS DE SEGURIDAD ESPECÍFICAS GEB033-2

No deje que la comodidad o la familiaridad con el producto (a base de utilizarlo repetidamente) sustituya la estricta observancia de las normas de seguridad de la amoladora. Si utiliza esta herramienta de forma no segura o incorrecta, puede sufrir graves daños corporales.

Advertencias de seguridad generales para operaciones de amolado, lijado, cepillado con alambre o corte abrasivo:

1. **Esta herramienta eléctrica está pensada para ser utilizada como amoladora, lijadora, cepillo de alambre o cortadora. Lea todas las advertencias de seguridad, instrucciones, ilustraciones y especificaciones que acompañan a esta herramienta eléctrica.** No seguir todas las instrucciones que se indican a continuación podría

provocar una descarga eléctrica, incendio o lesiones graves.

2. **No se recomienda utilizar esta herramienta para operaciones tales como pulir.** El uso de la herramienta en aplicaciones para las cuales no ha sido diseñada puede generar peligros y ocasionar daños personales.
3. **No utilice accesorios diferentes de aquellos que el fabricante haya diseñado o recomendado especialmente para esta herramienta.** El hecho de que el accesorio pueda montarse en la herramienta no garantiza que sea seguro.
4. **Las revoluciones nominales del accesorio deben ser como mínimo iguales a la velocidad máxima indicada en la herramienta.** Si un accesorio se mueve a una velocidad mayor a la admisible, podría romperse y salir despedido.
5. **El diámetro exterior y el grosor del accesorio deben encontrarse dentro de la capacidad de la herramienta.** Los accesorios de tamaño incorrecto no pueden protegerse ni controlarse correctamente.
6. **Los orificios de los discos, bridas, platos lijadores y otros accesorios deben encajar correctamente con el husillo de la herramienta.** Los accesorios que no se ajustan correctamente a las piezas de montaje de la herramienta giran descentrados, vibran en exceso y pueden hacer perder el control de la herramienta.
7. **No utilice accesorios dañados. Antes de cada uso inspeccione los accesorios con el fin de detectar, por ejemplo, si un disco abrasivo está astillado o agrietado, si un plato lijador está agrietado, roto o**

desgastado en exceso, o si un cepillo de alambre contiene púas sueltas o rotas. Si se cae la herramienta o el accesorio, compruebe si ha sufrido algún daño o monte un accesorio en buen estado. Una vez revisado y montado un accesorio, colóquese usted y las personas circundantes fuera del plano de rotación del accesorio y deje funcionar la herramienta eléctrica en vacío a velocidad máxima durante un minuto. Por norma general, los accesorios que están dañados se rompen durante este tiempo de prueba.

8. **Utilice equipo de protección personal. Dependiendo del trabajo, utilice una careta, protección para los ojos o gafas de seguridad. Si fuera necesario, utilice una mascarilla antipolvo, protectores auditivos, guantes y un mandil adecuado para protegerse de los pequeños fragmentos que pudieran salir proyectados.** Las gafas de protección deberán ser indicadas para detener los pequeños fragmentos que pudieran salir proyectados al trabajar. La mascarilla antipolvo o respiratoria debe ser apta para filtrar las partículas producidas al trabajar. Una exposición prolongada al ruido puede producir pérdidas auditivas.
9. **Encárguese de que todas las personas se mantengan a suficiente distancia de la zona de trabajo. Toda persona que acceda a la zona de trabajo deberá utilizar equipo de protección personal.** Podría sufrir daños, incluso fuera del área de trabajo inmediata, al salir proyectados fragmentos de la pieza de trabajo o del accesorio.
10. **Sujete la herramienta eléctrica sólo por las superficies de agarre aisladas al realizar una operación en la que el accesorio de corte pueda entrar en contacto con cables ocultos o con su propio cable.** Si entra en contacto con un cable con corriente, puede que las piezas metálicas expuestas de la herramienta eléctrica se carguen también de corriente y que el operario reciba una descarga.
11. **Mantenga el cable alejado del accesorio en funcionamiento.** En caso de perder el control, el cable de red podría enredarse o cortarse con el accesorio y arrastrar de esta forma su mano hacia el mismo.
12. **Jamás deposite la herramienta eléctrica hasta que el accesorio se haya detenido por completo.** El accesorio en funcionamiento podría entrar en contacto con la superficie de apoyo y hacerle perder el control sobre la herramienta.
13. **No deje funcionar la herramienta eléctrica mientras la transporta.** El accesorio en funcionamiento podría ocasionarle daños personales al engancharse accidentalmente en su vestimenta.
14. **Limpie periódicamente los orificios de ventilación de la herramienta.** El ventilador del motor aspira polvo hacia el interior de la carcasa y, en caso de acumularse un exceso de polvo metálico, podría provocar una descarga eléctrica.
15. **No utilice la herramienta eléctrica cerca de materiales inflamables.** Las chispas podrían inflamarnos.
16. **No emplee accesorios que requieran ser refrigerados con líquidos.** El uso de agua u otros refrigerantes líquidos puede provocar una descarga o electrocución.

Contragolpes y advertencias al respecto

El contragolpe es una reacción brusca que se produce al atascarse o engancharse un disco de amolar, un plato lijador, un cepillo de alambre u otro accesorio. Al atascarse o engancharse el accesorio en funcionamiento, éste es frenado bruscamente y puede hacer perder el control sobre la herramienta eléctrica, impulsándola en la dirección opuesta al sentido de giro que tenía el accesorio en el momento de agarrarse.

Por ejemplo, si un disco de amolar se atasca o engancha en la pieza de trabajo, puede suceder que el borde del accesorio que entra en el material quede bloqueado, provocando la rotura del accesorio o un contragolpe. Según el sentido de giro del disco en el momento de bloquearse, puede que éste resulte despedido en dirección al operario o en sentido opuesto. En este caso también puede suceder que los discos de amolar se rompan.

El contragolpe es el resultado de un mal uso de la herramienta eléctrica o de condiciones o procedimientos de uso incorrectos y se puede evitar tomando las precauciones que se indican a continuación.

- a) **Sujete con firmeza la herramienta eléctrica y mantenga su cuerpo y brazos en una posición que le permita resistir los contragolpes. Si forma parte del equipo, utilice siempre la empuñadura auxiliar para poder controlar mejor las fuerzas derivadas del contragolpe o los pares de reacción durante la puesta en marcha.** El operario puede controlar los pares de reacción y las fuerzas derivadas del contragolpe si toma las medidas oportunas.
- b) **Jamás aproxime la mano al accesorio en funcionamiento.** En caso de contragolpe el accesorio podría dañarle la mano.
- c) **No se coloque en el área hacia donde se movería la herramienta en caso de contragolpe.** En caso de contragolpe la herramienta saldrá rechazada en sentido opuesto al movimiento del disco.
- d) **Preste especial atención al trabajar en esquinas, bordes afilados, etc. Evite que el accesorio rebote o se atasque.** En las esquinas, bordes afilados, o al rebotar, el accesorio en funcionamiento tiende a atascarse y puede provocar la pérdida de control o un contragolpe.
- e) **No utilice hojas de sierra para maderas ni otros accesorios dentados.** Estos accesorios son propensos al rechazo y pueden hacerle perder el control.

Advertencias de seguridad específicas para operaciones de amolado y corte abrasivo:

- a) **Utilice únicamente los tipos de discos recomendados para su herramienta eléctrica y el protector correcto para el disco en cuestión.** Los discos que no fueron diseñados para esta herramienta no pueden quedar suficientemente protegidos y suponen un peligro.
- b) **Para obtener el nivel máximo de seguridad, el protector debe estar bien sujeto y colocado en la herramienta eléctrica, de forma que el operario esté expuesto a una parte mínima del disco.** El protector ayuda a proteger al operario frente a los fragmentos de disco que se rompen y el contacto accidental con el disco.

c) **Utilice el disco solamente en aquellos trabajos para los que fue concebido. Por ejemplo: no emplee las caras de un disco de corte para amolar.** Los discos de corte abrasivos están previstos para amolar utilizando su periferia; la aplicación de fuerzas en sus caras puede hacer que se rompan.

d) **Utilice siempre bridas que estén en buen estado y que tengan las dimensiones y la forma correctas para el disco utilizado.** Una brida adecuada soporta correctamente el disco reduciendo así el peligro de rotura. Las bridas para discos de corte pueden ser diferentes de aquellas para los discos de amolar.

e) **No utilice discos gastados de herramientas de mayor tamaño.** Los discos destinados a una herramienta eléctrica más grande no son aptos para soportar la mayor velocidad de las herramientas más pequeñas y podrían romperse.

Advertencias de seguridad adicionales específicas para operaciones de corte abrasivo:

a) **No haga demasiada fuerza ni aplique demasiada presión con el disco de corte. No intente hacer cortes de una profundidad excesiva.** Si el disco se somete a una fuerza excesiva aumenta la carga y las posibilidades de que se doble o se agarrote en el corte, así como de que se rompa o se produzca un contragolpe.

b) **No se coloque en línea ni detrás del disco en funcionamiento.** Cuando el disco esté en funcionamiento y se mueva en dirección opuesta a usted, un contragolpe podría proyectar el disco y la herramienta en dirección a usted.

c) **Cuando la hoja esté agarrada o se interrumpa la operación de corte, apague la herramienta eléctrica y manténgala en posición inmóvil hasta que el disco se detenga por completo. No intente extraer el disco del corte mientras esté en funcionamiento, ya que de lo contrario podría producirse un contragolpe.** Investigue y tome las acciones correctoras para eliminar la causa del agarrotamiento del disco.

d) **No reanude la operación de corte con la herramienta en la pieza de trabajo. Deje que el disco alcance la velocidad máxima y vuelva a introducirlo en el corte con cuidado.** Si la herramienta se vuelve a poner en marcha dentro de la pieza de trabajo, el disco podría doblarse, salirse o provocar un contragolpe.

e) **Apoye los paneles y otras piezas de trabajo de tamaño excesivo para reducir el peligro de que el disco se atasque o se produzca un contragolpe.** Las piezas de trabajo grandes tienden a hundirse bajo su propio peso. Deben colocarse soportes bajo la pieza de trabajo a ambos lados, cerca de la línea de corte y del borde de la pieza de trabajo.

f) **Tenga especial cuidado cuando realice un "corte de inmersión" en paredes u otras áreas ciegas.** Al salir por el otro lado, el disco podría cortar un tubo de gas o de agua, un cable eléctrico u otro objeto que podría provocar un contragolpe.

Advertencias de seguridad específicas para operaciones de lijado:

a) **No utilice papel de lija de tamaño excesivo para el disco. Seleccione el papel de lija conforme a las recomendaciones del fabricante.** El exceso de papel de lija que sobresale del plato lijador supone un peligro de desgarro y puede provocar que el disco se enganche o se rompa o que se produzca un contragolpe.

Advertencias de seguridad específicas para las operaciones de cepillado con alambre:

a) **Tenga presente que el alambre del cepillo sale despedido incluso durante el funcionamiento normal. No sobrecargue los alambres aplicando una fuerza excesiva al disco.** Los alambres pueden penetrar con facilidad a través de una prenda delgada y / o la piel.

b) **Si se recomienda utilizar un protector durante las operaciones de cepillado, impida que el disco o cepillo de alambre interfiera en el protector.** El diámetro del disco o cepillo de alambre puede aumentar a causa de la carga de trabajo y las fuerzas centrífugas.

Advertencias de seguridad adicionales:

- 17. Cuando utilice discos de amolar con el centro hundido, asegúrese de emplear solamente discos reforzados con fibra de vidrio.**
- 18. Tenga cuidado de no dañar el husillo, la brida (especialmente la superficie de instalación) ni la contratuerca. Si se dañan estas piezas, el disco podría romperse.**
- 19. Asegúrese de que el disco no esté tocando la pieza de trabajo antes de activar el interruptor.**
- 20. Antes de utilizar la herramienta en una pieza de trabajo, déjela en marcha durante unos instantes. Esté atento por si se producen vibraciones u oscilaciones, lo que indicaría que el disco no se ha instalado correctamente o que está mal equilibrado.**
- 21. Para realizar las tareas de amolado, use la superficie del disco especificada.**
- 22. Tenga cuidado con las chispas que saltan. Sostenga la herramienta de modo que las chispas no salten hacia usted ni hacia otras personas o materiales inflamables.**
- 23. No deje la herramienta encendida. Póngala en marcha solamente cuando la tenga en las manos.**
- 24. No toque la pieza de trabajo inmediatamente después de la tarea, ya que puede estar extremadamente caliente y producir quemaduras en la piel.**
- 25. Asegúrese siempre de apagar y desenchufar la herramienta y de extraer el cartucho de la batería antes de intentar realizar cualquier tipo de operación en la herramienta.**
- 26. Observe las instrucciones del fabricante para montar y utilizar correctamente los discos. Maneje y guarde con cuidado los discos.**
- 27. No utilice bujes de reducción ni adaptadores separados para adaptar discos abrasivos de orificio grande.**
- 28. Utilice sólo las bridas especificadas para esta herramienta.**

29. En herramientas que vayan a ser utilizadas con discos de orificio roscado, asegúrese de que la rosca del disco sea lo suficientemente larga como para acomodar la longitud del eje.
30. Compruebe que la pieza de trabajo esté bien sujeta.
31. Tenga en cuenta que el disco continuará girando después de haber apagado la herramienta.
32. Si el lugar de trabajo es muy caluroso y húmedo, o si está muy contaminado con polvo conductor, utilice un disyuntor de cortocircuito (30 mA) para garantizar la seguridad del operario.
33. No utilice la herramienta con ningún material que contenga amianto.
34. No utilice agua ni lubricante para amolado.
35. Asegúrese de que las aberturas de ventilación estén despejadas cuando trabaje en condiciones polvorosas. Si fuera necesario eliminar el polvo, desconecte primero la herramienta de la fuente de alimentación (utilice objetos que no sean metálicos) y procure no estropear las piezas internas.
36. Cuando utilice un disco de cortar, trabaje siempre con el protector de disco colector de polvo requerido por el reglamento de su país o región.
37. Los discos de cortar no deben ser sometidos a ninguna presión lateral.

ADVERTENCIA:

El MAL USO o la no observancia de las normas de seguridad expuestas en este manual de instrucciones pueden ocasionar graves daños corporales.

GUARDE ESTAS INSTRUCCIONES.

DESCRIPCIÓN DEL FUNCIONAMIENTO

PRECAUCIÓN:

- Asegúrese siempre de que la herramienta esté apagada y desenchufada antes de intentar realizar cualquier tipo de ajuste o comprobación en ella.

Bloqueo del eje (Fig. 1)

PRECAUCIÓN:

- No accione nunca el bloqueo del eje cuando el eje se esté moviendo ya que, de lo contrario, la herramienta podría averiarse.

Al instalar o extraer los accesorios, presione el bloqueo del eje para evitar que gire el husillo.

Acción del interruptor

PRECAUCIÓN:

- Antes de enchufar la herramienta, asegúrese siempre de que el interruptor disparador funcione como es debido y de que vuelva a la posición "OFF" (apagado) al soltarlo.

Para herramientas con interruptor disparador del tipo A (Fig. 2)

Para herramientas sin botón de bloqueo y de desbloqueo

Para poner en marcha la herramienta, simplemente accione el interruptor disparador. Suelte el interruptor disparador para detener la herramienta.

Para herramientas con botón de bloqueo

Para evitar que el disparador del interruptor se accione accidentalmente se proporciona una palanca de bloqueo. Para poner en marcha la herramienta, empuje la palanca de bloqueo y tire del interruptor disparador. Suelte el interruptor disparador para detener la herramienta. Para un uso continuo, empuje la palanca de bloqueo, accione el interruptor disparador y después empuje más la palanca de bloqueo. Para detener la herramienta desde la posición de bloqueo, accione totalmente el interruptor disparador y, a continuación, suéltelo.

Para herramientas con botón de desbloqueo

Para evitar que el interruptor disparador se accione accidentalmente se proporciona un botón de desbloqueo. Para poner en marcha la herramienta, presione el botón de bloqueo y tire del disparador del interruptor. Suelte el interruptor disparador para detener la herramienta.

Para herramientas con interruptor disparador del tipo B (Fig. 3)

Para herramientas con interruptor de bloqueo

Para poner en marcha la herramienta, simplemente accione el interruptor disparador (A). Suelte el interruptor disparador para detener la herramienta. Para un uso continuo, accione el interruptor disparador (A) y después pulse el botón de bloqueo (B). Para detener la herramienta desde la posición de bloqueo, accione totalmente el interruptor disparador (A) y, a continuación, suéltelo.

En herramientas con interruptor de desbloqueo

Para evitar que el disparador del interruptor se accione accidentalmente se proporciona una palanca de bloqueo. Para poner en marcha la herramienta, empuje la palanca de bloqueo (B) y tire del interruptor disparador (A). Suelte el interruptor disparador para detener la herramienta.

Para herramientas con interruptor de bloqueo y desbloqueo

Para evitar que el disparador del interruptor se accione accidentalmente se proporciona una palanca de bloqueo. Para poner en marcha la herramienta, empuje la palanca de bloqueo (B) y tire del interruptor disparador (A). Suelte el interruptor disparador para detener la herramienta. Para un uso continuo, empuje la palanca de bloqueo (B), accione el interruptor disparador y después empuje más la palanca de bloqueo (B). Para detener la herramienta desde la posición de bloqueo, accione totalmente el interruptor disparador (A) y, a continuación, suéltelo.

Función electrónica

Control de velocidad constante (para el modelo GA5020C, GA5021C, GA6020C, GA6021C)

- Permite obtener un acabado preciso, porque la velocidad de rotación se mantiene a un nivel constante incluso en caso de que haya carga.

- Adicionalmente, cuando la carga de la herramienta sobrepasa los niveles admisibles, se reduce la potencia del motor para protegerlo del sobrecalentamiento. Cuando la carga vuelva a niveles admisibles, la herramienta funcionará con normalidad.

Característica de inicio lento

- Elimina la sacudida inicial.

Luz indicadora (Fig. 4)

La luz indicadora se enciende de color verde al enchufar la herramienta. Si la luz indicadora no se enciende, puede que el cable de la corriente o el controlador estén averiados. Si la luz indicadora está encendida, pero la herramienta no se pone en marcha aunque esté encendida, puede que las escobillas de carbón estén desgastadas o que el controlador, el motor o el interruptor de encendido y apagado estén averiados.

Mecanismo contra la puesta en marcha accidental

Aunque la palanca de bloqueo mantenga presionado el interruptor disparador (posición de bloqueo), no se permite que la herramienta se ponga en marcha aunque la herramienta esté enchufada. En ese momento, la luz indicadora parpadea en color rojo e indica que el mecanismo contra la puesta en marcha accidental está funcionando. Para cancelar el mecanismo contra la puesta en marcha accidental, accione el interruptor disparador completamente y suéltelo.

MONTAJE

PRECAUCIÓN:

- Asegúrese siempre de que la herramienta esté apagada y desenchufada antes de intentar realizar cualquier trabajo en ella.

Instalación de la empuñadura lateral (mango) (Fig. 5)

PRECAUCIÓN:

- Antes de utilizar la herramienta, asegúrese siempre de que la empuñadura lateral está instalada firmemente. Atomille con firmeza la empuñadura lateral en la herramienta, tal como se muestra en la figura.

Instalación del asa (accesorio)

PRECAUCIÓN:

- Antes de utilizar la herramienta, asegúrese siempre de que el asa está instalada firmemente. (Fig. 6)
- Instale siempre el asa en la herramienta antes de encenderla. Sujete firmemente la herramienta con ambas manos por el mango del interruptor y el asa mientras esté en funcionamiento. Monte el asa de modo que el saliente encaje en el orificio de la caja de engranaje. Coloque los pernos y apriételes con la llave Allen. El asa se puede montar en dos direcciones distintas, tal como se muestra en las figuras, en función del tipo de trabajo que se vaya a realizar. (Fig. 7 y 8)

Instalación o extracción del protector del disco

PRECAUCIÓN:

- Cuando utilice un disco de amolar de centro hundido/multidisco, un cepillo de alambre o un disco de corte debe montarse en la herramienta el protector del disco de forma que el lado cerrado del protector siempre apunte hacia el operario.

Para herramientas con protector de disco de tipo de tornillo de bloqueo (Fig. 9)

Monte el protector de forma que la protuberancia de la cinta del protector quede alineada con el alojamiento de cojinetes.

Acto seguido, gire el protector 180 grados en el sentido contrario a las agujas del reloj. Asegúrese de que el tornillo esté bien apretado.

Para extraer el protector, siga el procedimiento de instalación en orden inverso.

Para herramientas con protector de disco de tipo de palanca de retención (Fig. 10 y 11)

Afloje la palanca del protector de disco tras aflojar el tornillo. Monte el protector de forma que la protuberancia de la cinta del protector quede alineada con el alojamiento de cojinetes. A continuación, gire el protector de disco hasta la posición que se muestra en la ilustración. Apriete la palanca para fijar el protector de disco. Si la palanca está demasiado apretada o demasiado floja para sujetar el protector, afloje o apriete el tornillo para ajustar el apriete de la cinta del protector de disco.

Para extraer el protector, siga el procedimiento de instalación en orden inverso.

Montaje o extracción del disco de amolar de centro hundido/multidisco (accesorio)

ADVERTENCIA:

- Utilice siempre el protector suministrado cuando el disco de amolar de centro hundido/multidisco esté en la herramienta. El disco puede romperse durante el uso y el protector ayuda a reducir las posibilidades de lesiones personales. (Fig. 12)

Monte la brida interior en el husillo. Encaje el disco en la brida interior y enrosque la contratuerca en el husillo. Para apretar la contratuerca, ejerza presión sobre el bloqueo del eje para que el husillo no pueda girar, y utilice la llave de la contratuerca para ajustarla con firmeza en el sentido de las agujas del reloj. (Fig. 13)

Para extraer el disco, siga el procedimiento de instalación en orden inverso.

MANEJO

ADVERTENCIA:

- No deberá ser nunca necesario forzar la herramienta. El peso de la herramienta ya aplica la presión adecuada. Si la fuerza y ejerce una presión excesiva, podría romperse el disco con el peligro que eso conlleva.
- Reemplace el disco SIEMPRE si se cae la herramienta durante el amolado.
- No golpee NUNCA el disco de amolar u otros discos contra la pieza de trabajo.

- Evite que el disco rebote o se enganche, especialmente cuando trabaje en esquinas, bordes afilados, etc. Podría ocasionar la pérdida del control y contragolpes.
- No utilice NUNCA esta herramienta con discos para cortar madera ni otros discos de sierra. Con estas sierras, la herramienta podría rebotar con fuerza y causarle lesiones.

PRECAUCIÓN:

- Después de finalizar la tarea, apague siempre la herramienta y espere hasta que el disco se haya parado completamente antes de dejar la herramienta.

Amolado y lijado (Fig. 14)

Sujete SIEMPRE la herramienta firmemente con una mano en la empuñadura lateral y otra mano en el mango principal. Enciéndala y aplique el disco a la pieza de trabajo.

Normalmente, mantenga el borde del disco en un ángulo de unos 15 grados con respecto a la superficie de la pieza de trabajo.

Durante el período de funcionamiento inicial con un disco nuevo, no haga funcionar la amoladora en la dirección B porque cortaría la pieza de trabajo. Una vez que se haya redondeado el borde del disco, ya podrá utilizarlo en las direcciones A y B.

MANTENIMIENTO

PRECAUCIÓN:

- Asegúrese siempre de que la herramienta esté apagada y desenchufada antes de intentar realizar cualquier trabajo de inspección o mantenimiento en ella.

La herramienta y los orificios de ventilación deben mantenerse siempre limpios.

Limpie los orificios de ventilación periódicamente o siempre que perciba cualquier obstrucción. (Fig. 15)

Reemplazo de las escobillas de carbón (Fig. 16)

Extraiga y compruebe las escobillas de carbón periódicamente.

Reemplácelas cuando se gasten hasta la marca de límite. Mantenga las escobillas de carbón limpias y de forma que entren libremente en los portaescobillas.

Ambas escobillas de carbón deberán ser reemplazadas al mismo tiempo. Utilice únicamente escobillas de carbón idénticas.

Utilice un destornillador para extraer las tapas de los portaescobillas.

Saque las escobillas de carbón desgastadas, inserte las nuevas y cierre las tapas de los portaescobillas. (Fig. 17)

Tras sustituir las escobillas, enchufe la herramienta y permita que las escobillas se asienten haciendo funcionar la herramienta sin carga durante unos 10 minutos. A continuación compruebe la herramienta durante el uso y el funcionamiento del freno eléctrico cuando suelta el interruptor disparador. Si el freno eléctrico no funciona bien, pida a su centro de reparaciones Makita local que repare la herramienta. (Para modelos GA5020/GA6020) Para conservar la SEGURIDAD y la FIABILIDAD del producto, los trabajos de reparación y otros trabajos de mantenimiento y ajuste deberán ser realizados en centros

de servicio autorizados de Makita, utilizando siempre repuestos Makita.

ACCESORIOS

PRECAUCIÓN:

- Se recomienda el uso de estos accesorios o complementos con la herramienta Makita especificada en este manual. El uso de otros accesorios o complementos puede conllevar el riesgo de ocasionar daños corporales. Utilice los accesorios o complementos solamente para su fin establecido.
- Con la herramienta se suministra un protector para utilizarse con discos de amolar de centro hundido, multidiscos o cepillos de alambre. Si se utiliza un protector opcional, también se puede utilizar un disco de corte. Si decide utilizar la amoladora Makita con los accesorios aprobados que puede adquirir en su distribuidor o centro de servicio Makita, asegúrese de que dispone de todos los cierres y protectores que se recomiendan en este manual. En caso contrario, el operario y otras personas pueden sufrir lesiones personales.

Si necesita cualquier ayuda para obtener más información relativa a estos accesorios, pregunte al centro de servicio Makita local.

- Protector de disco (cubierta de disco)
- Brida interior
- Discos de centro hundido
- Contratuercas (para disco de centro hundido)
- Almohadilla de goma
- Discos abrasivos
- Contratuercas (para disco abrasivo)
- Llave de la contratuercas
- Cepillo de copa de alambre
- Empuñadura lateral
- Asa
- Guardapolvo

Para el modelo GA5020

Sólo para los países europeos

Ruido

ENG102-2

Nivel de ruido típico de ponderación A establecido según EN60745:

Nivel de presión de sonido (L_{pA}): 89 dB (A)

Nivel de presión de sonido (L_{WA}): 100 dB (A)

Incertidumbre (K): 3 dB (A)

Utilice protección para los oídos.

Vibración

ENG208-4

Valor total de vibración (suma de vectores triaxiales) establecido según la EN60745:

Modo de trabajo: amolado de superficies

Emisión de vibraciones ($a_{h,AG}$): 9 m/s²

Incertidumbre (K): 1,5 m/s²

El corte o el cepillado de alambre pueden tener diferentes valores de emisión de vibraciones.

Para el modelo GA5021

Sólo para los países europeos

Ruido ENG102-2

Nivel de ruido típico de ponderación A establecido según EN60745:

Nivel de presión de sonido (L_{pA}): 90 dB (A)

Nivel de presión de sonido (L_{WA}): 101 dB (A)

Incertidumbre (K): 3 dB (A)

Utilice protección para los oídos.

Vibración ENG208-4

Valor total de vibración (suma de vectores triaxiales) establecido según la EN60745:

Modo de trabajo: amolado de superficies

Emisión de vibraciones ($a_{h,AG}$): 13,5 m/s²

Incertidumbre (K): 1,5 m/s²

El corte o el cepillado de alambre pueden tener diferentes valores de emisión de vibraciones.

Para el modelo GA6020

Sólo para los países europeos

Ruido ENG102-2

Nivel de ruido típico de ponderación A establecido según EN60745:

Nivel de presión de sonido (L_{pA}): 89 dB (A)

Nivel de presión de sonido (L_{WA}): 100 dB (A)

Incertidumbre (K): 3 dB (A)

Utilice protección para los oídos.

Vibración ENG208-4

Valor total de vibración (suma de vectores triaxiales) establecido según la EN60745:

Modo de trabajo: amolado de superficies

Emisión de vibraciones ($a_{h,AG}$): 10 m/s²

Incertidumbre (K): 1,5 m/s²

El corte o el cepillado de alambre pueden tener diferentes valores de emisión de vibraciones.

Para el modelo GA6021

Sólo para los países europeos

Ruido ENG102-2

Nivel de ruido típico de ponderación A establecido según EN60745:

Nivel de presión de sonido (L_{pA}): 89 dB (A)

Nivel de presión de sonido (L_{WA}): 100 dB (A)

Incertidumbre (K): 3 dB (A)

Utilice protección para los oídos.

Vibración ENG208-4

Valor total de vibración (suma de vectores triaxiales) establecido según la EN60745:

Modo de trabajo: amolado de superficies

Emisión de vibraciones ($a_{h,AG}$): 6,5 m/s²

Incertidumbre (K): 1,5 m/s²

El corte o el cepillado de alambre pueden tener diferentes valores de emisión de vibraciones.

Para el modelo GA5020C

Sólo para los países europeos

Ruido ENG102-2

Nivel de ruido típico de ponderación A establecido según EN60745:

Nivel de presión de sonido (L_{pA}): 90 dB (A)

Nivel de presión de sonido (L_{WA}): 101 dB (A)

Incertidumbre (K): 3 dB (A)

Utilice protección para los oídos.

Vibración ENG208-4

Valor total de vibración (suma de vectores triaxiales) establecido según la EN60745:

Modo de trabajo: amolado de superficies

Emisión de vibraciones ($a_{h,AG}$): 9,5 m/s²

Incertidumbre (K): 1,5 m/s²

El corte o el cepillado de alambre pueden tener diferentes valores de emisión de vibraciones.

Para el modelo GA5021C

Sólo para los países europeos

Ruido ENG102-2

Nivel de ruido típico de ponderación A establecido según EN60745:

Nivel de presión de sonido (L_{pA}): 90 dB (A)

Nivel de presión de sonido (L_{WA}): 101 dB (A)

Incertidumbre (K): 3 dB (A)

Utilice protección para los oídos.

Vibración ENG208-4

Valor total de vibración (suma de vectores triaxiales) establecido según la EN60745:

Modo de trabajo: amolado de superficies

Emisión de vibraciones ($a_{h,AG}$): 8,5 m/s²

Incertidumbre (K): 1,5 m/s²

El corte o el cepillado de alambre pueden tener diferentes valores de emisión de vibraciones.

Para el modelo GA6020C

Sólo para los países europeos

Ruido ENG102-2

Nivel de ruido típico de ponderación A establecido según EN60745:

Nivel de presión de sonido (L_{pA}): 91 dB (A)

Nivel de presión de sonido (L_{WA}): 102 dB (A)

Incertidumbre (K): 3 dB (A)

Utilice protección para los oídos.

Vibración ENG208-4

Valor total de vibración (suma de vectores triaxiales) establecido según la EN60745:

Modo de trabajo: amolado de superficies

Emisión de vibraciones ($a_{h,AG}$): 9,0 m/s²

Incertidumbre (K): 1,5 m/s²

El corte o el cepillado de alambre pueden tener diferentes valores de emisión de vibraciones.

Para el modelo GA6021C

Sólo para los países europeos

Ruido ENG102-2

Nivel de ruido típico de ponderación A establecido según EN60745:

Nivel de presión de sonido (L_{pA}): 90 dB (A)

Nivel de presión de sonido (L_{WA}): 101 dB (A)

Incertidumbre (K): 3 dB (A)

Utilice protección para los oídos.

Vibración ENG208-4

Valor total de vibración (suma de vectores triaxiales)

establecido según la EN60745:

Modo de trabajo: amolado de superficies

Emisión de vibraciones ($a_{h,AG}$): 8,5 m/s²

Incertidumbre (K): 1,5 m/s²

El corte o el cepillado de alambre pueden tener diferentes valores de emisión de vibraciones.

Declaración de conformidad de la CE ENH101-12

Nosotros, Makita Corporation, en calidad de fabricante responsable, declaramos que las siguientes máquinas Makita:

Designación de la máquina: Amoladora

Nº de modelo/ Tipo: GA5020/C, GA5021/C, GA6020/C, GA6021/C

son de producción en serie y

Cumplen con las siguientes Directivas europeas:

98/37/EC hasta el 28 de diciembre de 2009 y

después con 2006/42/EC desde el 29 de diciembre de 2009

Y se han fabricado de acuerdo con los siguientes estándares o documentos estandarizados:

EN60745

La documentación técnica la conserva nuestro

representante autorizado en Europa, que es:

Makita International Europe Ltd,

Michigan, Drive, Tongwell,

Milton Keynes, MK15 8JD, Inglaterra

30 de enero de 2009



Tomoyasu Kato


Director

Makita Corporation
3-11-8, Sumiyoshi-cho,
Anjo, Aichi, JAPAN

Descrição geral

- | | | |
|---------------------------------------------------|-------------------------------------------------------|--------------------------------|
| 1. Bloqueio do veio | 9. Pega | 18. Flange interior |
| 2. Botão de bloqueio / Botão de desbloqueio | 10. Chave sextavada | 19. Chave da porca de bloqueio |
| 3. Gatilho (tipo A) | 11. Parafuso | 20. Ventilação de saída |
| 4. Alavanca de bloqueio | 12. Protecção da roda | 21. Ventilação de entrada |
| 5. Gatilho (tipo B) | 13. Parafuso | 22. Marca limite |
| 6. Luz indicadora | 14. Caixa de rolamentos | 23. Tampa do porta-escovas |
| 7. Saliência da pega | 15. Alavanca | 24. Chave de parafusos |
| 8. Orifício correspondente na caixa da engrenagem | 16. Porca de bloqueio | |
| | 17. Roda de afiar central com reentrância Multi-disco | |

ESPECIFICAÇÕES

Modelo	GA5020	GA5021	GA5020C/ GA5021C	GA6020	GA6021	GA6020C/ GA6021C
Diâmetro da roda central com reentrância	125 mm	125 mm	125 mm	150 mm	150 mm	150 mm
Ranhura do fuso	M14	M14	M14	M14	M14	M14
Velocidade de rotação sem carga (n_0)/ Velocidade nominal (n)	11,000 min ⁻¹	11,000 min ⁻¹	10,000 min ⁻¹	10,000 min ⁻¹	10,000 min ⁻¹	9,000 min ⁻¹
Comprimento total	356 mm	384 mm	390 mm	356 mm	384 mm	390 mm
Peso líquido	2,7 kg	2,7 kg	2,9 kg	3,0 kg	2,8 kg	3,0 kg
Classe de segurança						

- Devido à pesquisa e desenvolvimento constantes, estas especificações estão sujeitas a alteração sem aviso prévio.
- Estas especificações podem diferir de país para país.
- Peso de acordo com procedimento EPTA 01/2003

Utilização prevista ENE048-1

A ferramenta destina-se a afiar, lixar e cortar materiais de metal e pedra, sem utilizar água.

Fonte de alimentação ENF002-1

A ferramenta apenas deve ser ligada a uma fonte de alimentação da mesma tensão que a indicada na chapa de nome, e apenas pode funcionar com uma alimentação monofásica AC. Estão blindadas duplamente, de acordo com a Norma Europeia e podem, assim, ser igualmente utilizadas em tomadas sem fio terra.

REGRAS DE SEGURANÇA ESPECÍFICAS

GEB033-2

NÃO deixe que o progressivo à vontade com o produto (resultante de uma utilização frequente) o faça esquecer o estrito cumprimento das regras de segurança de utilização da afiadora. Se utilizar a ferramenta incorrectamente ou não respeitar as regras de segurança, poderá ferir-se gravemente.

Avisos de Segurança Comuns para Afiar, Lixar, Escovar com arame ou para Operações de corte abrasivas:

1. Esta ferramenta serve para afiar, lixar, escovar com arame e cortar. Leia todos os avisos, instruções, ilustrações e especificações de segurança fornecidos juntamente com a ferramenta. Caso não siga todas as instruções indicadas em baixo, poderão ocorrer choques eléctricos, incêndios e/ou ferimentos graves.
2. As operações, tais como polir, não devem ser desempenhadas com esta ferramenta. Operações

para as quais a ferramenta não foi concebida podem criar perigos e causar ferimentos pessoais.

3. **Não utilize acessórios que não sejam especificamente concebidos e recomendados pelo fabricante da ferramenta.** Mesmo que o acessório encaixe na ferramenta, isso não garante uma operação segura.
4. **A velocidade nominal do acessório deve ser no mínimo igual à velocidade máxima marcada na ferramenta.** Os acessórios a funcionar mais rapidamente do que a velocidade nominal podem quebrar e sair projectados.
5. **O diâmetro exterior e a espessura do acessório deve estar dentro da capacidade nominal da ferramenta.** Os acessórios com tamanhos incorrectos não podem ser guardados ou controlados adequadamente.
6. **O tamanho do alojamento das rodas, flanges, discos de apoio ou qualquer outro acessório deve encaixar adequadamente no veio da ferramenta.** Os acessórios com orifícios de alojamento que não correspondem ao hardware de instalação da ferramenta perderão o balanço, vibrarão excessivamente e podem causar perda de controlo.
7. **Não utilize um acessório danificado. Antes de cada utilização, inspeccione sempre o acessório, em busca de fissuras e fendas nas rodas abrasivas, fendas, desgaste ou uso excessivo nos discos de apoio e arames partidos ou soltos na escova de arame. Se a ferramenta ou acessório cair, inspeccione para a existência de danos ou instale um acessório não danificado. Depois de**

inspeccionar e instalar um acessório, afaste-se e afaste outras pessoas na proximidade do plano do acessório rotativo e ligue a ferramenta eléctrica na velocidade máxima sem carga durante um minuto. Normalmente, os acessórios danificados partem-se durante este teste.

8. **Use equipamento pessoal de protecção. Consoante a aplicação, use protecção para a cara ou óculos de segurança. Use máscara de pó, protectores auditivos, luvas e avental adequados, capazes de parar pequenos fragmentos abrasivos ou da peça de trabalho.** A protecção dos olhos deve ser capaz de parar detritos projectados gerados por várias utilizações. A máscara de pó ou respirador deve conseguir filtrar partículas geradas pela operação que estiver a efectuar. Uma exposição prolongada a ruído de alta intensidade pode causar perda de audição.
9. **Mantenha as pessoas presentes a uma distância segura da área de trabalho. Qualquer pessoa que entre na área de trabalho deve usar equipamento pessoal de protecção.** Os fragmentos da peça de trabalho ou de um acessório partido podem ser projectados e causar ferimentos para além da área imediata da operação.
10. **Quando executar operações em que acessórios de corte possam entrar em contacto com fios eléctricos ocultos ou com próprio cabo eléctrico da ferramenta, tenha o cuidado de tocar apenas nas superfícies isoladas da ferramenta eléctrica.** O acessório de corte em contacto com um fio eléctrico ligado à corrente pode electrificar as peças de metal da ferramenta e causar um choque.
11. **Posicione o cabo eléctrico longe do acessório rotativo.** Se perder o controlo, o cabo eléctrico pode ser cortado ou movimentado bruscamente e a sua mão ou braço podem ser puxados para o acessório rotativo.
12. **Nunca pouse a ferramenta antes do acessório parar por completo.** O acessório rotativo pode apanhar a superfície e fazê-lo perder o controlo da ferramenta.
13. **Não ligue a ferramenta enquanto a leva na mão junto ao corpo.** O contacto accidental com o acessório rotativo pode arrancar a sua roupa, puxando o acessório para o corpo.
14. **Limpe regularmente as aberturas de ventilação da ferramenta eléctrica.** A ventoinha do motor puxa o pó para o interior da caixa e a acumulação excessiva de metal em pó pode causar problemas eléctricos.
15. **Não utilizar a ferramenta perto de materiais inflamáveis.** As faíscas podem acender esses materiais.
16. **Não utilizar acessórios que requeiram arrefecedores líquidos.** Usar água ou outro líquido arrefecedor poderá resultar em electrocussão ou choque.

Recuos e Avisos Relacionados

Um recuo é uma reacção repentina a uma roda rotativa, disco de apoio, escova ou outro qualquer acessório encravado ou movimentado bruscamente. A obstrução ou emperramento causam uma paragem súbita do acessório giratório, o que por sua vez faz com que a ferramenta eléctrica descontrolada seja forçada na direcção contrária à da rotação do acessório no momento do empeno.

Por exemplo, se uma roda abrasiva for movimentada bruscamente ou encravada pela peça de trabalho, a ponta da roda que está entrar no ponto de encravamento pode perfurar a superfície do material, fazendo com a roda salte fora ou ressalte. A roda pode saltar na direcção do operador ou para longe do mesmo, dependendo da direcção do movimento da roda no momento do encravamento. As rodas abrasivas podem também quebrar nestas condições.

O recuo é o resultado de uma má utilização da ferramenta e/ou procedimentos de funcionamento incorrectos e pode ser evitado tomando as devidas precauções, tal como indicado em baixo.

- a) **Segure firmemente na ferramenta e posicione o corpo e o braço de forma a resistir às forças do recuo. Se forçada, utilize sempre uma pega auxiliar para um controlo máximo sobre o recuo ou reacção de força durante o início.** Se tomar medidas de precaução adequadas, o operador pode controlar as reacções de força ou de recuo.
- b) **Nunca coloque a mão perto do acessório giratório.** O acessório pode recuar sobre a sua mão.
- c) **Não posicione o corpo na área para onde a ferramenta se moverá se ocorrer um recuo.** O recuo projectará a ferramenta na direcção oposta ao movimento da roda, no ponto de movimento brusco.
- d) **Tenha especial atenção ao trabalhar cantos, extremidades afiadas, etc. Evite fazer ressaltar e movimentar bruscamente o acessório.** Os cantos, extremidades afiadas ou ressaltos têm uma tendência de movimentar bruscamente o acessório rotativo e causam perda de controlo ou recuo.
- e) **Não colocar uma serra de cortar madeira ou uma serra dentada.** Tais lâminas criam recuos frequentes e perda de controlo.

Avisos de Segurança Específicos para Operações de Cortes Abrasivos e Afiar:

- a) **Use apenas tipos de rodas que são recomendados para a ferramenta e a protecção específica concebida para a roda seleccionada.** Rodas para as quais a ferramenta não foi concebida não podem ser protegidas e não são seguras.
- b) **A protecção deve estar encaixada de forma segura à ferramenta e posicionada para segurança máxima, para que a roda esteja minimamente exposta na direcção do operador.** A protecção ajuda a proteger o operador de fragmentos de roda partida e contacto accidental com a roda.
- c) **As rodas devem ser usadas apenas para as aplicações recomendadas. Por exemplo: não afie com o lado da roda de corte.** As rodas de corte abrasivas têm como fim afiar perifericamente, se aplicar forças laterais a estas rodas pode parti-las.
- d) **Utilize sempre flanges que não estejam danificadas e que tenham o formato e o tamanho correctos para a roda seleccionada.** As flanges adequadas apoiam a roda, reduzindo assim a possibilidade de quebra da mesma. As flanges para as rodas de corte podem ser diferentes das flanges das rodas de afiar.
- e) **Não usar rodas desgastadas de ferramentas maiores.** Uma roda destinada a ferramentas maiores não é apropriada à velocidade superior de uma ferramenta mais pequena, podendo rebentar.

Avisos de Segurança Específicos Adicionais para as Operações de Cortes Abrasivos:

- a) Não “encravar” a roda de corte ou aplicar pressão excessiva. Não tentar fazer um corte de profundidade excessiva. Esforçar a roda aumenta o pressão e a susceptibilidade de girar ou empenar da roda no corte e a possibilidade de recuo ou da roda partir.
- b) Não posicione o corpo alinhado e atrás da roda rotativa. Quando a roda, aquando a utilização, está movimentar-se na direcção oposta do seu corpo, o recuo possível pode projectar a roda giratória e a ferramenta na sua direcção.
- c) Quando a roda está a empenar ou quando interrompe um corte por qualquer razão, desligue a ferramenta e segure-a estaticamente até a roda parar por completo. Nunca tente remover a roda do corte enquanto a roda está em movimento, caso contrário pode ocorrer um recuo. Investigue e tome acções correctivas para eliminar a causa do empeno da lâmina.
- d) Não recomece a operação de corte na peça de trabalho. Deixe a roda atingir a velocidade máxima e reentre cuidadosamente no corte. A roda pode empenar, subir ou recuar se a ferramenta for reiniciada na peça de trabalho.
- e) Para minimizar o risco de recuo e de encravamento da roda, apoie convenientemente painéis ou qualquer peça de trabalho de grandes dimensões. Peças de trabalho de grandes dimensões tendem a abater sob o seu próprio peso. Os suportes devem ser colocados debaixo da peça de trabalho em ambos os lados da roda, perto da linha de corte e perto da margem da extremidade da peça de trabalho.
- f) Utilize um cuidado adicional quando fizer um “corte a fundo” em paredes existentes ou outras zonas cegas. A roda saliente pode cortar canos de gás e água, fios eléctricos ou objectos que podem causar um recuo.

Avisos de Segurança Específicos para Operações de Lixar:

- a) Não usar lixas excessivamente grandes. Siga as recomendações do fabricante, quando escolher a lixa. Lixas maiores que o apoio de lixar representam um perigo de laceração e podem causar movimentos bruscos, destruição do disco ou recuo.

Avisos Específicos para Operações de Escovar com Arames:

- a) Tenha consciência de que fragmentos de arame são atirados pela escova, mesmo durante as operações normais. Não esforce os arames ao aplicar carga excessiva na escova. Os fragmentos dos arames podem facilmente penetrar na roupa leve e/ou pele.
- b) Se o uso de protecção é recomendado para escovar arames, não permita interferência da roda de arame ou escova com a protecção. Roda ou escova de arame pode expandir em diâmetro devido à carga de trabalho e forças centrífugas.

Avisos de segurança adicionais:

17. Quando utilizar as rodas de lixar centrais com reentrância, certifique-se de que utiliza apenas rodas reforçadas com fibra de vidro.
18. Não danifique o veio, a flange (especialmente a superfície de instalação) ou a porca de bloqueio. Os danos nestas peças podem resultar em quebra das rodas.
19. Certifique-se de que a roda não está em contacto com a peça de trabalho antes de ligar o interruptor.
20. Antes de utilizar a ferramenta numa peça de trabalho, deixe-a a trabalhar durante algum tempo. Procure a existência de vibrações ou oscilações que possam indicar uma má fixação ou uma roda mal equilibrada.
21. Utilize a superfície especificada da roda para afiar.
22. Tenha cuidado com as faíscas. Segure a ferramenta de forma a que as faíscas sejam projectadas para longe de si e de outras pessoas ou materiais inflamáveis.
23. Não abandone a ferramenta a funcionar. Ponha-a a funcionar apenas quando estiver a segurá-la.
24. Não toque na peça de trabalho logo após a operação, uma vez que pode estar demasiado quente e provocar queimaduras.
25. Certifique-se sempre de que a ferramenta está desligada ou a bateria removida, antes de efectuar qualquer operação com acessórios.
26. Cumpra as instruções do fabricante sobre a instalação e utilização correctas das rodas. Manuseie e guarde as rodas com cuidado.
27. Não utilize casquilhos de redução separados ou adaptadores para adaptar rodas abrasivas com orifícios de grandes dimensões.
28. Utilize apenas as flanges especificadas para esta ferramenta.
29. Para ferramentas que sejam instaladas com a roda de orifício roscado, certifique-se de que a rosca na roda é suficientemente longa para aceitar o comprimento do fuso.
30. Verifique se a peça de trabalho está bem suportada.
31. Tome atenção uma vez que a roda continua a rodar após a ferramenta ser desligada.
32. Se o local de trabalho for extremamente quente e húmido ou muito poluído pelo pó, utilize um disjuntor (30 mA) para garantir a segurança do operador.
33. Não utilize a ferramenta ou quaisquer materiais que contenham amianto.
34. Não utilize água ou lubrificante para afiar.
35. Certifique-se de que as aberturas de ventilação são mantidas limpas quando trabalhar em condições de muito pó. Se for necessário limpar primeiro o pó, desligue primeiro a ferramenta da fonte de alimentação (utilize objectos não metálicos) e evite danificar as peças internas.
36. Quando utilizar a roda de corte, trabalhe sempre com a protecção da roda de recolha de pó exigida pelas normas nacionais.
37. Os discos de corte não devem ser sujeitos a qualquer pressão lateral.

AVISO:

A UTILIZAÇÃO INCORRECTA ou o não cumprimento das regras de segurança fornecidas neste manual de instruções podem provocar ferimentos graves.

GUARDE ESTAS INSTRUÇÕES.

DESCRIÇÃO DO FUNCIONAMENTO

PRECAUÇÃO:

- Certifique-se sempre de que a ferramenta está desligada no interruptor e da tomada antes de proceder a ajustes ou testes à mesma.

Bloqueio do veio (Fig. 1)

PRECAUÇÃO:

- Nunca accione o bloqueio do veio quando o fuso estiver em movimento. Pode avariar a ferramenta. Prima o bloqueio do veio para evitar a rotação do fuso quando instalar ou remover acessórios.

Ação do interruptor

PRECAUÇÃO:

- Antes de inserir a ficha da ferramenta na tomada, verifique se o gatilho está a funcionar correctamente e se volta à posição "OFF" quando o solta.

Para ferramentas com gatilho tipo A (Fig. 2)

Para ferramentas sem botão de bloqueio e botão de desbloqueio

Para colocar a ferramenta em funcionamento prima o gatilho. Para parar a ferramenta, solte o gatilho.

Para ferramentas com botão de bloqueio

Para evitar que o gatilho seja acidentalmente puxado, é fornecida uma alavanca de bloqueio. Para iniciar a ferramenta, pressione a alavanca de bloqueio e puxe o gatilho. Para parar a ferramenta, solte o gatilho. Para um funcionamento contínuo, pressione a alavanca de bloqueio, puxe o gatilho e, depois, pressione ainda mais a alavanca de bloqueio. Para parar a ferramenta da posição de bloqueada, puxe totalmente o gatilho e solte-o.

Para as ferramentas com botão de desbloqueio

Para evitar que o gatilho seja acidentalmente puxado, é fornecido botão de bloqueio.

Para iniciar a ferramenta, pressione o botão de bloqueio e puxe o gatilho. Para parar a ferramenta, solte o gatilho.

Para ferramentas com gatilho tipo B (Fig. 3)

Para ferramentas com o interruptor de bloqueio

Para colocar a ferramenta em funcionamento, prima o gatilho (A).

Para parar a ferramenta, solte o gatilho. Para um funcionamento contínuo, puxe o gatilho (A) e pressione a alavanca de bloqueio (B). Para parar a ferramenta da posição de bloqueada, puxe totalmente o gatilho (A) e solte-o.

Para ferramentas com o interruptor de desbloqueio

Para evitar que o gatilho seja acidentalmente puxado, é fornecida uma alavanca de bloqueio. Para iniciar a

ferramenta, pressione a alavanca de bloqueio (B) e puxe o gatilho (A). Para parar a ferramenta, solte o gatilho.

Para ferramentas com o interruptor de bloqueio e desbloqueio

Para evitar que o gatilho seja acidentalmente puxado, é fornecida uma alavanca de bloqueio. Para iniciar a ferramenta, pressione a alavanca de bloqueio (B) e puxe o gatilho (A). Para parar a ferramenta, solte o gatilho. Para um funcionamento contínuo, pressione a alavanca de bloqueio (B), puxe o gatilho e, depois, pressione ainda mais a alavanca de bloqueio (B). Para parar a ferramenta da posição de bloqueada, puxe totalmente o gatilho (A) e solte-o.

Função electrónica

Controlo de velocidade constante (para o modelo GA5020C, GA5021C, GA6020C, GA6021C)

- É possível obter um acabamento fino, uma vez que a velocidade de rotação é mantida constante, mesmo em condições de carga.
- Além disso, quando a carga da ferramenta excede os níveis permitidos, a alimentação para o motor é reduzida para proteger o motor contra o sobreaquecimento. Assim que a carga retomar os níveis permitidos, a ferramenta funcionará de modo normal.

Funcionalidade de arranque suave

- Arranque suave devido à eliminação do choque de arranque.

Luz indicadora (Fig. 4)

A luz indicadora acende-se a verde quando a ferramenta é ligada à tomada. Se a luz indicadora não se acender, o cabo de alimentação ou o controlador podem estar avariados. Se a luz indicadora se acender mas a ferramenta não se iniciar, mesmo que a ferramenta seja ligada, as escovas de carvão poderão estar gastas ou o controlador, o motor ou o interruptor podem estar avariados.

Protecção contra arranque acidental

Mesmo com a alavanca de bloqueio a manter o gatilho pressionado (posição de bloqueado), não é permitido à ferramenta arrancar quando a ficha é ligada à tomada. Nesta altura, a luz indicadora pisca a vermelho, indicando que está activada a função de dispositivo protegido contra arranque acidental.

Para cancelar a protecção contra arranque acidental, puxe totalmente o gatilho e solte-o.

MONTAGEM

PRECAUÇÃO:

- Certifique-se sempre de que a ferramenta está desligada no interruptor e da tomada antes de efectuar qualquer trabalho na mesma.

Instalar a pega lateral (Fig. 5)

PRECAUÇÃO:

- Certifique-se sempre de que a pega lateral está bem instalada antes de utilizar a ferramenta. Aparafuse bem a pega lateral em posição na ferramenta, tal como indicado na ilustração.

Instalar a pega (Acessório)

PRECAUÇÃO:

- Certifique-se sempre de que a pega está bem instalada antes de utilizar a ferramenta. (Fig. 6)
- Instale sempre a pega na ferramenta antes da operação. Segure a pega de interruptor da ferramenta e a pega firmemente com ambas as mãos durante a operação. Instale a pega de modo a que a protecção encaixe no orifício correspondente na caixa. Instale os parafusos e aperte-os com a chave sextavada. Para tornar o seu trabalho mais fácil, a pega pode ser instalada em duas direcções diferentes como demonstram as figuras. (Fig. 7 e 8)

Instalar ou remover a protecção da roda

PRECAUÇÃO:

- Quando utilizar a roda de afiar central com reentrância/ Multi-disco, escova da roda de arames ou roda de corte, a protecção da roda deve ser instalada na ferramenta, de forma a que o lado fechado da protecção aponte sempre na direcção do operador.

Para ferramentas com protecção da roda do tipo parafuso de bloqueio A (Fig. 9)

Instale a protecção da roda com a saliência na banda da protecção da roda alinhada com o entalhe na caixa de rolamentos.

De seguida, rode a protecção da roda em 180 graus no sentido contrário ao dos ponteiros do relógio. Certifique-se de que aperta bem o parafuso.

Para remover a protecção da roda, siga o procedimento inverso da instalação.

Para ferramentas com protecção da roda do tipo alavanca do grampo A (Fig. 10 e 11)

Solte a alavanca da protecção da roda, depois de soltar o parafuso. Instale a protecção da roda com a saliência na banda da protecção da roda alinhada com o entalhe na caixa de rolamentos. De seguida, rode a protecção da roda à volta da posição apresentada na figura. Aperte a alavanca para apertar a protecção da roda. Se a alavanca estiver demasiado apertada ou demasiado solta para apertar a protecção da roda, desaperte ou aperte o parafuso para ajustar o nível de aperto da cinta da protecção da roda.

Para remover a protecção da roda, siga o procedimento inverso da instalação.

Instalar ou remover a roda de afiar central com reentrância/multi-disco (acessório)

AVISO:

- Utilize sempre a protecção fornecida quando a roda de afiar central com reentrância/multi-disco estiver montada na ferramenta. A roda pode quebrar durante a utilização e a protecção ajuda a reduzir a ocorrência de ferimentos pessoais. (Fig. 12)

Instale a flange interior no fuso. Instale a roda/disco na flange interior e aparafuse a porca de bloqueio no fuso. Para apertar a porca de bloqueio, prima o bloqueio do veio firmemente, para evitar que o fuso rode, e utilize a chave da porca de bloqueio para a apertar com segurança no sentido dos ponteiros do relógio. (Fig. 13)

Para remover a roda, siga o procedimento inverso de instalação.

FUNCIONAMENTO

AVISO:

- Nunca deverá ser necessário forçar a ferramenta. O peso da ferramenta aplica pressão adequada. Forçar a pressão excessiva poderão ser perigosos e quebrar a roda.
- Substitua SEMPRE a roda se deixar cair a ferramenta enquanto afia.
- NUNCA atire ou embata com o disco de afiar ou roda na peça de trabalho.
- Evite fazer ressaltar e movimentar bruscamente a roda, especialmente quando estiver a trabalhar cantos, extremidades afiadas, etc. Isto pode provocar a perda de controlo e ressaltos.
- NUNCA utilize a ferramenta com lâminas de cortar madeira e outras lâminas de serra. Tais lâminas, quando utilizadas numa afiadora, provocam com frequência ressaltos e perda de controlo, que podem provocar ferimentos pessoais.

PRECAUÇÃO:

- Após a utilização, desligue sempre a ferramenta e aguarde até que a roda pare completamente antes de pousar a ferramenta.

Afiar e lixar (Fig. 14)

Segure SEMPRE bem a ferramenta com uma mão na pega traseira e a outra na pega lateral. Ligue a ferramenta e coloque a roda ou disco sobre a peça de trabalho.

De maneira geral, mantenha a extremidade da roda ou disco a um ângulo de cerca de 15 graus da superfície da peça de trabalho.

Durante o período de rodagem de uma nova roda, não coloque a afiadora a funcionar na direcção B ou esta cortará a peça de trabalho. Quando a extremidade da roda ficar arredondada pelo uso, a roda pode ser trabalhada nas direcções A e B.

MANUTENÇÃO

PRECAUÇÃO:

- Certifique-se sempre de que a ferramenta está desligada no interruptor e da tomada antes de inspeccionar ou fazer a manutenção da ferramenta.
- A ferramenta e as respectivas aberturas de ventilação devem ser mantidas limpas. Limpe regularmente as aberturas de ventilação da ferramenta ou sempre que estas fiquem obstruídas. (Fig. 15)

Substituir as escovas de carvão (Fig. 16)

Remova e verifique regularmente as escovas de carvão. Substitua-as quando o desgaste atingir a marca limite. Mantenha-as limpas e soltas para poderem deslizar nos suportes.

Substitua as duas ao mesmo tempo. As escovas de um mesmo par utilizado devem ser idênticas. Utilize uma chave de parafusos para remover as tampas do porta-escovas.

Retire as escovas usadas, coloque umas novas e fixe as tampas do porta-escovas. (Fig. 17)

Depois de substituir as escovas, ligue a ferramenta à tomada e experimente as escovas, fazendo funcionar a ferramenta sem carga durante cerca de 10 minutos.

Depois verifique a ferramenta enquanto estiver em funcionamento, bem como o travão eléctrico ao soltar o gatilho. Se este não funcionar devidamente, solicite que seja reparado ao seu centro de assistência local Makita. (Para modelos GA5020/GA6020)

Para manter os níveis de SEGURANÇA e FIABILIDADE definidos para este produto, reparações, operações de manutenção ou ajustes devem ser executados por centros de assistência Makita autorizados e, no caso de substituição de peças, estas devem ser igualmente Makita.

ACESSÓRIOS

PRECAUÇÃO:

- Os seguintes acessórios ou extensões são os recomendados para utilizar com a ferramenta Makita especificada neste manual. A utilização de outros acessórios ou extensões podem provocar ferimentos. Utilize cada acessório ou extensão apenas para o fim indicado.
- A ferramenta é fornecida com uma protecção para utilizar com uma roda de afiar central com reentrância, multi-disco e escova de roda de arames. Uma roda de corte pode também ser usada com uma protecção opcional. Se decidir usar a sua afiadora Makita com acessórios aprovados que adquire ao seu distribuidor Makita ou a um centro de assistência, obtenha e use todos os fixadores e protecções necessárias, como é recomendado neste manual. Caso contrário, poderá resultar em ferimentos pessoais para si e para terceiros.

Se precisar de informações adicionais relativas aos acessórios, contacte o centro local de assistência Makita.

- Protecção da roda (tampa da roda)
- Flange interior
- Rodas centrais com reentrância
- Porca de bloqueio (para a roda central com reentrância)
- Almofada de borracha
- Discos abrasivos
- Porca de bloqueio (para disco abrasivo)
- Chave da porca de bloqueio
- Escova de tampa de arame
- Apoio lateral
- Pega
- Protecção para o pó

Para o modelo GA5020

Apenas para os países europeus

Ruído

ENG102-2

Os níveis acústicos ponderados A típicos foram determinados segundo a EN60745:

Nível de pressão sonora (L_{pA}): 89 dB (A)

Nível de potência sonora (L_{WA}): 100 dB (A)

Imprecisão (K): 3 dB (A)

Use protecção para os ouvidos.

Vibração

ENG208-4

O valor total da vibração (soma vectorial triaxial) é determinado segundo a EN60745:

Modo de trabalho: afiar à superfície

Emissão de vibração ($a_{h,AG}$): 9 m/s²

Imprecisão (K): 1,5 m/s²

Efectuar cortes ou escovagem com arame podem ter valores diferentes de emissão de vibrações.

Para o modelo GA5021

Apenas para os países europeus

Ruído

ENG102-2

Os níveis acústicos ponderados A típicos foram determinados segundo a EN60745:

Nível de pressão sonora (L_{pA}): 90 dB (A)

Nível de potência sonora (L_{WA}): 101 dB (A)

Imprecisão (K): 3 dB (A)

Use protecção para os ouvidos.

Vibração

ENG208-4

O valor total da vibração (soma vectorial triaxial) é determinado segundo a EN60745:

Modo de trabalho: afiar à superfície

Emissão de vibração ($a_{h,AG}$): 13,5 m/s²

Imprecisão (K): 1,5 m/s²

Efectuar cortes ou escovagem com arame podem ter valores diferentes de emissão de vibrações.

Para o modelo GA6020

Apenas para os países europeus

Ruído

ENG102-2

Os níveis acústicos ponderados A típicos foram determinados segundo a EN60745:

Nível de pressão sonora (L_{pA}): 89 dB (A)

Nível de potência sonora (L_{WA}): 100 dB (A)

Imprecisão (K): 3 dB (A)

Use protecção para os ouvidos.

Vibração

ENG208-4

O valor total da vibração (soma vectorial triaxial) é determinado segundo a EN60745:

Modo de trabalho: afiar à superfície

Emissão de vibração ($a_{h,AG}$): 10 m/s²

Imprecisão (K): 1,5 m/s²

Efectuar cortes ou escovagem com arame podem ter valores diferentes de emissão de vibrações.

Para o modelo GA6021

Apenas para os países europeus

Ruído

ENG102-2

Os níveis acústicos ponderados A típicos foram determinados segundo a EN60745:

Nível de pressão sonora (L_{pA}): 89 dB (A)

Nível de potência sonora (L_{WA}): 100 dB (A)

Imprecisão (K): 3 dB (A)

Use protecção para os ouvidos.

Vibração

ENG208-4

O valor total da vibração (soma vectorial triaxial) é determinado segundo a EN60745:

Modo de trabalho: afiar à superfície

Emissão de vibração ($a_{h,AG}$): 6,5 m/s²

Imprecisão (K): 1,5 m/s²

Efectuar cortes ou escovagem com arame podem ter valores diferentes de emissão de vibrações.

Para o modelo GA5020C

Apenas para os países europeus

Ruído

ENG102-2

Os níveis acústicos ponderados A típicos foram determinados segundo a EN60745:

Nível de pressão sonora (L_{pA}): 90 dB (A)

Nível de potência sonora (L_{WA}): 101 dB (A)

Imprecisão (K): 3 dB (A)

Use protecção para os ouvidos.

Vibração

ENG208-4

O valor total da vibração (soma vectorial triaxial) é determinado segundo a EN60745:

Modo de trabalho: afiar à superfície

Emissão de vibração ($a_{h,AG}$): 9,5 m/s²

Imprecisão (K): 1,5 m/s²

Efectuar cortes ou escovagem com arame podem ter valores diferentes de emissão de vibrações.

Para o modelo GA5021C

Apenas para os países europeus

Ruído

ENG102-2

Os níveis acústicos ponderados A típicos foram determinados segundo a EN60745:

Nível de pressão sonora (L_{pA}): 90 dB (A)

Nível de potência sonora (L_{WA}): 101 dB (A)

Imprecisão (K): 3 dB (A)

Use protecção para os ouvidos.

Vibração

ENG208-4

O valor total da vibração (soma vectorial triaxial) é determinado segundo a EN60745:

Modo de trabalho: afiar à superfície

Emissão de vibração ($a_{h,AG}$): 8,5 m/s²

Imprecisão (K): 1,5 m/s²

Efectuar cortes ou escovagem com arame podem ter valores diferentes de emissão de vibrações.

Para o modelo GA6020C

Apenas para os países europeus

Ruído

ENG102-2

Os níveis acústicos ponderados A típicos foram determinados segundo a EN60745:

Nível de pressão sonora (L_{pA}): 91 dB (A)

Nível de potência sonora (L_{WA}): 102 dB (A)

Imprecisão (K): 3 dB (A)

Use protecção para os ouvidos.

Vibração

ENG208-4

O valor total da vibração (soma vectorial triaxial) é determinado segundo a EN60745:

Modo de trabalho: afiar à superfície

Emissão de vibração ($a_{h,AG}$): 9,0 m/s²

Imprecisão (K): 1,5 m/s²

Efectuar cortes ou escovagem com arame podem ter valores diferentes de emissão de vibrações.

Para o modelo GA6021C

Apenas para os países europeus

Ruído

ENG102-2

Os níveis acústicos ponderados A típicos foram determinados segundo a EN60745:

Nível de pressão sonora (L_{pA}): 90 dB (A)

Nível de potência sonora (L_{WA}): 101 dB (A)

Imprecisão (K): 3 dB (A)

Use protecção para os ouvidos.

Vibração

ENG208-4

O valor total da vibração (soma vectorial triaxial) é determinado segundo a EN60745:

Modo de trabalho: afiar à superfície

Emissão de vibração ($a_{h,AG}$): 8,5 m/s²

Imprecisão (K): 1,5 m/s²

Efectuar cortes ou escovagem com arame podem ter valores diferentes de emissão de vibrações.

Declaração de conformidade EC

ENH101-12

A Makita Corporation, na qualidade do fabricante responsável, declara que a(s) máquina(s) Makita seguinte(s):

Designação da máquina: Afidora angular

N.º de modelo/Tipo: GA5020/C, GA5021/C, GA6020/C, GA6021/C

são de produção em série e

estão em conformidade com as Directivas Europeias seguintes:

98/37/EC até 28 de Dezembro de 2009 e, de seguida, com a 2006/42/EC a partir de 29 de Dezembro de 2009

E são fabricadas de acordo com as normas ou os documentos padronizados seguintes:

EN60745

A documentação técnica é mantida pelo nosso representante autorizado na Europa, que é:

Makita International Europe Ltd,
Michigan, Drive, Tongwell,
Milton Keynes, MK15 8JD, Inglaterra

30 de Janeiro de 2009



Tomoyasu Kato
Director

Makita Corporation
3-11-8, Sumiyoshi-cho,
Anjo, Aichi, JAPAN

Forklaring til generel oversigt

- | | | |
|--------------------------------|-------------------------------------|-----------------------------------|
| 1. Skaftflås | 10. Umbracconøgle | 19. Skruenøgle til sikringsmøtrik |
| 2. Låseknap/sikringsknap | 11. Bolt | 20. Udstødningsåbning |
| 3. Kontaktgreb (type A) | 12. Beskyttelsesskærm | 21. Indsugningsåbning |
| 4. Låsearm | 13. Skrue | 22. Slidgrænse |
| 5. Kontaktgreb (type B) | 14. Kuglelejevoks | 23. Kulholderdæksel |
| 6. Indikatorlampe | 15. Håndtag | 24. Skruetrækker |
| 7. Fremspring på lækkehåndtag | 16. Sikringsmøtrik | |
| 8. Tilsvarende hul i gearhuset | 17. Forsænket centerskive/Multidisk | |
| 9. Løkkehåndtag | 18. Indvendig flange | |

SPECIFIKATIONER

Model	GA5020	GA5021	GA5020C/ GA5021C	GA6020	GA6021	GA6020C/ GA6021C
Diameter af forsænket centerskive	125 mm	125 mm	125 mm	150 mm	150 mm	150 mm
Spindeltråd	M14	M14	M14	M14	M14	M14
Hastighed uden belastning (n_0)/ nominel hastighed (n)	11,000 min ⁻¹	11,000 min ⁻¹	10,000 min ⁻¹	10,000 min ⁻¹	10,000 min ⁻¹	9,000 min ⁻¹
Længde i alt	356 mm	384 mm	390 mm	356 mm	384 mm	390 mm
Nettovægt	2,7 kg	2,7 kg	2,9 kg	3,0 kg	2,8 kg	3,0 kg
Sikkerhedsklasse	II/III					

- På grund af vores løbende forsknings- og udviklingsprogram kan specifikationerne heri ændres uden forudgående varsel.
- Specifikationerne kan variere fra land til land.
- Vægt i henhold til EPTA-Procedure 01/2003

Tilsigtet brug ENE048-1

Værktøjet er beregnet til afslibning, slibning og skæring i metal- og stenmaterialer uden brug af vand.

Strømforsyning ENF002-1

Værktøjet bør kun slutes til en strømforsyning med den spænding, der er angivet på navnepladen, og det kan kun benyttes med enkelfaset vekselstrøm. Det er dobbelt isoleret i overensstemmelse med europæisk standard og kan derfor også slutes til stikkontakter uden jordforbindelse.

SPECIFIKKE SIKKERHEDSREGLER

GEB033-2

LAD IKKE tryghed eller kendskab til produktet (på grund af gentagen brug) betyde, at du ikke strengt overholder sikkerhedsreglerne for værktøjet. Hvis værktøjet anvendes på usikker eller forkert vis, kan du komme alvorligt til skade.

Fælles sikkerhedsadvarsler for afslibning, sandslibning, trådbørstning og vinkelslibning:

1. Denne maskine er beregnet til brug som afsliber, sandsliber, trådbørste eller vinkelsliber. Læs alle sikkerhedsadvarsler, instruktioner, illustrationer og specifikationer, der følger med maskinen. Hvis du ikke følger alle instruktionerne nedenfor, kan det medføre elektrisk stød, brand og/eller alvorlig personskade.
2. Det anbefales ikke at benytte maskinen til formål som f.eks. polering. Anvendelser, som maskinen ikke er beregnet til, kan udgøre en risiko og medføre personskade.

3. **Undlad at benytte tilbehør, som ikke er specielt udviklet og anbefalet af producenten af værktøjet.** Selvom tilbehøret kan monteres på maskinen, er anvendelsen ikke nødvendigvis sikker.
4. **Tilbehørets nominelle hastighed skal være mindst lig med den maksimale hastighed, der er angivet på maskinen.** Tilbehør, der kører hurtigere end dets nominelle hastighed, kan gå i stykker og blive slynget bort.
5. **Tilbehørets udvendige diameter og tykkelse skal overholde maskinens kapacitet.** Tilbehør med forkert størrelse kan ikke fastgøres eller kontrolleres korrekt.
6. **Akselstørrelsen for skiver, flanger, bagpolstringer og andet tilbehør skal passe til spindlen på maskinen.** Tilbehør med akselhuller, der ikke passer til monteringsudstyret på maskinen, vil komme ud af balance, vibrere voldsomt og kan medføre, at du mister kontrollen.
7. **Undlad brug af beskadiget tilbehør. Kontroller tilbehør som f.eks. slibeskiver, hver gang de bruges, for flanger og revner, bagpolstringer for revner, nedslidning eller kraftigt slid, trådbørster for løse eller knækkede tråde. Hvis du taber maskinen eller tilbehøret, skal du se efter for beskadigelser eller monter ubeskadiget tilbehør. Efter kontrol og montering af tilbehør skal du placere dig selv og tilskuere væk fra tilbehørets drejningsplan og lade maskinen køre ved maksimal hastighed uden belastning i et minut. Beskadiget tilbehør vil normalt gå i stykker inden for denne testperiode.**

8. **Bær personligt sikkerhedsudstyr. Afhængigt af anvendelsen skal du bære ansigtsskærm, beskyttelsesbriller eller sikkerhedsbriller. Bær om nødvendigt støvmaske, høreværn, handsker og arbejdsforklæde, der kan stoppe små slibningsstykker eller stumper af arbejdsemnet.** Øjenbeskyttelsen skal kunne stoppe flyvende stumper, der frembringes ved forskellige betjening. Støvmasken eller åndedrætsbeskyttelsen skal kunne filtrere partikler, der frembringes ved anvendelsen. Længerevarende udsættelse for kraftig støj kan medføre høreskader.
9. **Hold andre tilstedeværende på sikker afstand af arbejdsområdet. Alle, der kommer ind i arbejdsområdet, skal bære personligt sikkerhedsudstyr.** Dele af arbejdsemnet eller ødelagt tilbehør kan flyve væk og medføre personskade uden for det umiddelbare anvendelsesområde.
10. **Hold kun maskiner i de isolerede gribeblader, når du udfører arbejde, hvor skæretilbehøret kan komme i kontakt med skjulte ledninger eller værktøjets egen ledning.** Hvis det slibende tilbehør kommer i kontakt med en strømførende ledning, kan udsatte metaldele på maskinen blive strømførende, hvorved operatøren kan få elektrisk stød.
11. **Placer ledningen på afstand af det roterende tilbehør.** Hvis du mister kontrollen, kan ledningen blive skåret over eller beskadiget, og din hånd eller arm kan blive trukket ind i det roterende tilbehør.
12. **Læg aldrig maskinen fra dig, før tilbehøret er stoppet helt.** Det roterende tilbehør kan gribe fat i overfladen og trække i maskinen, så du mister kontrollen.
13. **Lad ikke maskinen køre, mens du bærer den ved siden.** Hvis dit tøj kommer i kontakt med det roterende tilbehør, kan det gribe fat i tøjet og trække tilbehøret ind imod kroppen på dig.
14. **Rengør regelmæssigt maskinens ventilationsåbninger.** Motorventilatoren trækker støv ind i kabinettet, og koncentration af pulveriseret metal kan medføre elektriske risici.
15. **Undlad at betjene maskinen i nærheden af brændbare materialer.** Gnister kan antænde disse materialer.
16. **Undlad at benytte tilbehør, der kræver flydende kølemidler.** Brug af vand eller andre flydende kølemidler kan medføre elektrisk stød eller chok.

Tilbageslag og relaterede advarsler

Tilbageslag er en pludselig reaktion på, at en roterende skive, bagpolstring, børste eller andet tilbehør sidder fast eller kommer i klemme. Hvis tilbehøret sidder fast eller kommer i klemme, går det roterende tilbehør pludselig i stå, hvorved den ikke-kontrollerede maskine tvinges i den modsatte retning af tilbehørets rotationsretning på det sted, hvor det sidder fast.

Hvis en slibeskive f.eks. kommer i klemme eller sidder fast på arbejdsemnet, kan den kant på skiven, der sidder ind i fastklemningspunktet, skære sig ind i emnets overflade, så skiven klattrer ud eller slås ud. Skiven kan enten springe ind mod eller væk fra operatøren, afhængigt af skivens bevægelse på det sted, hvor den sidder fast. Slibeskiver kan også gå i stykker under disse forhold.

Tilbageslag skyldes forkert brug af maskinen og/eller forkerte betjeningsprocedurer eller forhold og kan undgås ved at træffe de nødvendige forsigtighedsregler som beskrevet nedenfor.

- a) **Hold godt fast i maskinen, og placer kroppen og armen, så du kan modstå tilbageslag. Benyt altid det ekstra håndtag, hvis det er tilgængeligt, for at opnå størst mulig kontrol med tilbageslag eller drejningsreaktion ved start.** Operatøren kan kontrollere drejningsreaktioner eller tilbageslag, hvis der træffes de rette forholdsregler.
- b) **Placer aldrig hånden i nærheden af det roterende tilbehør.** Tilbehøret kan blive slået tilbage hen over hånden.
- c) **Placer ikke dig selv i det område, hvor maskinen vil bevæge sig, hvis der opstår tilbageslag.** Ved tilbageslag bliver værktøjet slynget i modsat retning af skivens bevægelse på det sted, hvor den sidder fast.
- d) **Vær særlig forsigtig ved arbejde på hjørner, skarpe kanter osv. Undgå at støde og vride tilbehøret.** Hjørner, skarpe kanter og stød har tendens til at få det roterende tilbehør til at sidde fast og forårsage tab af kontrollen eller tilbageslag.
- e) **Montér ikke en klingende til savning i træ eller en savtunge med tænder.** Sådanne klinger forårsager ofte tilbageslag og tab af kontrollen.

Specifikke sikkerhedsadvarsler for afslibning og vinkelslibning:

- a) **Anvend kun skivetyper, der anbefales til maskinen, og den specifikke beskyttelseskærm, der er beregnet til den valgte skive.** Skiver, som maskinen ikke er beregnet til, kan ikke beskyttes ordentligt og er ikke sikre at bruge.
- b) **Beskyttelseskærmen skal sidde korrekt fast på maskinen og placeres med henblik på maksimal sikkerhed, så mindst muligt af skiven er blottet ud mod operatøren.** Beskyttelseskærmen hjælper med at beskytte operatøren mod dele af brækkede skiver og kontakt med skiven ved et uheld.
- c) **Skiver må kun benyttes til de anbefalede anvendelser. Eksempel: Undlad at bruge siden af en slibeskive til vinkelslibning.** Vinkelslibeskiver er beregnet til slibning i periferien. Hvis skiverne udsættes for kræfter fra siden, kan de gå i stykker.
- d) **Anvend altid ubeskidte skiveflanger af den korrekte størrelse og form til den valgte skive.** Korrekte skiveflanger understøtter skiven, så der er mindre risiko for, at den går i stykker. Flanger til vinkelslibeskiver kan være forskellige fra flanger til slibeskiver.
- e) **Undlad at benytte nedslidte skiver fra større maskiner.** Skiver, der er beregnet til større maskiner, er ikke beregnet til et mindre værktøjs større hastigheder og kan gå i stykker.

Specifikke sikkerhedsadvarsler for vinkelslibning:

- a) **Undlad at "læse" vinkelslibeskiven eller anvende unødigt pres. Undlad at skære for dybt.** Hvis skiven overbelastes, forøges belastningen og risikoen for at bøje skiven, eller at den sidder fast i snittet, hvilket øger risikoen for tilbageslag, eller at skiven går i stykker.
- b) **Undlad at placere dig selv på linje med og bagved den roterende skive.** Når skiven på

anvendelsesstedet bevæger sig bort fra dig selv, vil et eventuelt tilbageslag slynge den roterende skive og maskinen direkte tilbage mod dig selv.

c) Hvis skiven sidder fast, eller hvis du af en eller anden grund afbryder et snit, skal du slukke for maskinen og holde den stille, indtil skiven er stoppet helt. Forsøg aldrig at fjerne vinkelslibeskiven fra snittet, mens skiven bevæger sig, da dette kan forårsage tilbageslag. Se efter og tag modforholdsregler imod årsager til, at skiven binder.

d) Start ikke snittet igen i arbejdsemnet. Lad skiven nå fuld hastighed, og sæt den forsigtigt tilbage i snittet. Skiven kan binde, springe op eller forårsage tilbageslag, hvis maskinen genstartes i arbejdsemnet.

e) Støt paneler eller store arbejdsemner for at reducere risikoen for, at skiven binder og forårsager tilbageslag. Store arbejdsemner har tendens til at bøjes under deres egen vægt. Der skal placeres støtter under arbejdsemnet i nærheden af skæringslinjen og nær arbejdsemnets kanter på begge sider af skiven.

f) Vær ekstra forsigtig, når du foretager et "lømmesnit" i eksisterende vægge eller andre områder, du ikke kan se. Den fremstikkende skive kan skære i gas- eller vandrør, elektriske kabler eller genstande, der kan forårsage tilbageslag.

Specifikke sikkerhedsadvarsler for sandslibning:

a) Anvend ikke for stort sandpapir. Følg producentens anbefalinger ved valg af sandpapir. Større sandpapir, der stikker ud over sandpladen, kan skære i personer og sidde fast, blive revet af disken eller forårsage tilbageslag.

Specifikke sikkerhedsadvarsler for trådbørstning:

a) Vær opmærksom på, at træde kan blive slynget af børsten selv ved normal betjening. Overbelast ikke trådene ved at belaste børsten for hårdt. Trådene kan nemt gennemtrænge let beklædning og/eller huden.

b) Hvis brug af en beskyttelsesskærm anbefales til trådbørstning, må du ikke lade trådskiven eller børsten støde mod skærmen. Diameteren af trådskiven eller børsten kan blive større på grund af arbejdsbelastning eller centrifugalkræfter.

Yderligere sikkerhedsadvarsler:

17. Ved brug af forsænkede centerslibeskiver må du kun benytte fiberglasforstærkede skiver.
18. Vær forsigtig med ikke at beskadige spindelen, flangen (især monteringsområdet) eller sikringsmøtrikken. Beskadigelse af disse dele kan medføre beskadigelse af skiven.
19. Sørg for, at skiven ikke har kontakt med arbejdsemnet, før der tændes på kontakten.
20. Lad værktøjet køre et stykke tid, før det benyttes på et arbejdsemne. Hold øje med vibrationer eller slinger, der kan være tegn på en dårlig montering eller en dårligt afbalanceret skive.
21. Anvend den tilsigtede overflade på skiven til at udføre slibningen.
22. Vær opmærksom på gnistregn. Hold værktøjet, så gnisterne flyver væk fra dig selv og andre personer eller fra brændbare materialer.

23. Gå ikke fra værktøjet, mens det kører. Lad kun værktøjet køre, mens du holder det i hænderne.
24. Berør ikke arbejdsemnet umiddelbart efter arbejdet. Det kan være meget varmt og forårsage forbrændinger af huden.
25. Sørg altid for, at værktøjet er slukket og taget ud af stikkontakten, før du udfører nogen form for arbejde på værktøjet.
26. Overhold producentens instruktioner for korrekt montering og brug af skiver. Vær omhyggelig med håndteringen og opbevaringen af skiverne.
27. Anvend ikke separate reduktionsbøsninger eller adaptere til tilpasning af slibeskiver med store huller.
28. Brug kun flanger, der er beregnet til værktøjet.
29. For værktøjer, der er beregnet til brug med skiver med trådede hjul, skal du sikre dig, at tråden i skiven er tilstrækkeligt lang til at modsvare længden af spindelen.
30. Kontroller, at arbejdsemnet er korrekt understøttet.
31. Vær opmærksom på, at skiven fortsætter med at rotere, efter at der slukkes for værktøjet.
32. Hvis arbejdspladsen er meget varm og fugtig, eller hvis den er kraftigt forurenset af ledende støv, skal du bruge en kortslutningsafbryder (30 mA) til at beskytte operatoren.
33. Anvend ikke værktøjet på materialer, der indeholder asbest.
34. Anvend ikke vand eller slibemøremiddel.
35. Sørg for, at ventilationsåbningerne forbliver frie, når der arbejdes under støvede forhold. Hvis det er nødvendigt at fjerne støv, skal værktøjet først kobles fra strømforsyningen (ved hjælp af ikke-metalliske genstande). Undgå at beskadige de interne dele.
36. Ved brug af vinkelslibeskive skal du altid benytte den beskyttelsesskærm til støvopsamling, som den lokale lovgivning foreskriver.
37. Slibeskiver må ikke udsættes for tryk fra siden.

ADVARSEL:

MISBRUG eller manglende overholdelse af sikkerhedsreglerne i denne brugsanvisning kan medføre alvorlig personskade.

GEM DISSE INSTRUKTIONER.

FUNKTIONSBESKRIVELSE

FORSIGTIG:

- Sørg altid for, at værktøjet er slukket, og at stikket er taget ud af stikkontakten, før De justerer værktøjet eller kontrollerer dets funktion.

Skaftlås (Fig. 1)

FORSIGTIG:

- Udløs aldrig skaftlåsen, mens spindelen bevæger sig. Dette kan beskadige værktøjet.
- Tryk på skaftlåsen for at forhindre, at spindelen roterer, mens De monterer eller afmonterer tilbehør.

Betjening af kontakt

FORSIGTIG:

- Før værktøjet tilsluttes, skal De altid kontrollere, at kontaktgrebet reagerer korrekt og vender tilbage til "OFF"-stillingen, når De slipper det.

For værktøjer med kontaktgreb af type A (Fig. 2)

For værktøjer uden låseknap og sikringsknap

For at starte værktøjet skal De blot trykke på kontaktgrebet. Slip kontaktgrebet for at stoppe.

For værktøjer med låseknap

Et låsehåndtag forhindrer, at kontaktgrebet trækkes op ved et uheld. Værktøjet startes ved at trykke låsehåndtaget ind og derefter trække i kontaktgrebet. Slip kontaktgrebet for at stoppe. Hvis værktøjet skal bruges i længere tid, skal De trykke låsehåndtaget ind, trykke på kontaktgrebet og derefter trykke låsehåndtaget længere ind. Når De vil stoppe værktøjet fra den låste position, skal De trykke kontaktgrebet helt ind og slippe det.

For værktøjer med sikringsknap

En sikringsknap forhindrer, at kontaktgrebet trækkes op ved et uheld.

Værktøjet startes ved at trykke sikringsknappen ind og trække i kontaktgrebet. Slip kontaktgrebet for at stoppe.

For værktøjer med kontaktgreb af type B (Fig. 3)

For værktøjer med tryklåsekontakt

For at starte værktøjet skal De blot trykke på kontaktgrebet (A). Slip kontaktgrebet for at stoppe. Hvis værktøjet skal bruges i længere tid ad gangen, skal De trykke på kontaktgrebet (A) og derefter trykke låseknappen (B) ind. Når De vil stoppe værktøjet fra den låste position, skal De trykke kontaktgrebet (A) helt ind og slippe det.

For værktøjer med låsehåndtag

Et låsehåndtag forhindrer, at kontaktgrebet trækkes op ved et uheld. Værktøjet startes ved at trykke låsehåndtaget (B) ind og derefter trække i kontaktgrebet (A). Slip kontaktgrebet for at stoppe.

For værktøjer med tryklåsekontakt og låsehåndtag

Et låsehåndtag forhindrer, at kontaktgrebet trækkes op ved et uheld. Værktøjet startes ved at trykke låsehåndtaget (B) ind og derefter trække i kontaktgrebet (A). Slip kontaktgrebet for at stoppe. Hvis værktøjet skal bruges i længere tid, skal De trykke låsehåndtaget (B) ind, trykke på kontaktgrebet og derefter trykke låsehåndtaget (B) længere ind. Når De vil stoppe værktøjet fra den låste position, skal De trykke kontaktgrebet (A) helt ind og slippe det.

Elektronisk funktionalitet

Konstant hastighedskontrol (for model GA5020C, GA5021C, GA6020C, GA6021C)

- Det er muligt at få en pæn finish, fordi omdrejningshastigheden holdes konstant, også under belastning.
- Desuden reduceres strømmen til motoren, hvis belastningen af værktøjet overskrider den tilladelige værdi, for at beskytte motoren mod overophedning. Når belastningen igen bliver tilladelig, fungerer værktøjet som normalt.

Funktion til blød start

- Blød start, fordi startvibrationen dæmpes.

Indikatorlampe (Fig. 4)

Indikatorlampen lyser grønt, når værktøjet er sat i stikkontakten. Hvis indikatorlampen ikke tændes, er netledningen eller kontrollen muligvis defekte. Hvis indikatorlampen lyser, men værktøjet ikke starter, selvom der er tændt for værktøjet, er kulbørsterne muligvis slidt ned, eller motoren eller kontakten kan være defekte.

Sikring mod genstart ved et uheld

Selvom låsehåndtaget holder kontaktgrebet nede (låst position), kan værktøjet ikke starte igen, heller ikke selvom værktøjet er sat i stikkontakten. I dette tilfælde blinker indikationslampen rødt for at vise, at sikringen mod genstart ved et uheld er sat i funktion. For at annullere sikringen mod genstart skal De trykke kontaktgrebet helt ind og derefter slippe det.

MONTERING

FORSIGTIG:

- Sørg altid for, at værktøjet er slukket og taget ud af stikkontakten, før De udfører nogen form for arbejde på værktøjet.

Montering af sidegreb (håndtag) (Fig. 5)

FORSIGTIG:

- Sørg altid for, at sidegrebet er korrekt monteret før brugen. Skrub sidegrebene godt på plads på værktøjet som vist i figuren.

Montering af løkkehåndtag (tilbehør)

FORSIGTIG:

- Sørg altid for, at løkkehåndtaget er korrekt monteret før brugen. (Fig. 6)
- Monter altid løkkehåndtaget på værktøjet for brugen. Hånd godt fast i kontakthåndtaget og løkkehåndtaget på værktøjet med begge hænder under brugen. Monter løkkehåndtaget, så fremspringet passer til det tilsvarende hul på gearhuset. Monter boltene, og stram dem med umbracconøglen. Løkkehåndtaget kan monteres i to forskellige retninger som vist i figurene, afhængigt af hvad der passer til Deres arbejde. (Fig. 7 og 8)

Montering eller afmontering af beskyttelsesskærmen

FORSIGTIG:

- Ved brug af en forsænket centerskive/multidisk, flexskive, trædbørsteskrive eller vinkelsliberskrive skal beskyttelsesskærmen monteres på værktøjet, så den lukkede side af skærmen altid vender mod operatøren.

For værktøjer med beskyttelsesskærm af låseskruetypen (Fig. 9)

Monter beskyttelsesskærmen, så fremspringet på båndet på skærmen er justeret med mærket på kuglelejevoksen. Drej derefter beskyttelsesskærmen 180 grader mod uret. Sørg for at stramme skruen godt. Følg fremgangsmåden til montering i omvendt rækkefølge for at afmontere beskyttelsesskærmen.

For værktøjer med beskyttelsesskærm af klingefastholdertypen (Fig. 10 og 11)

Løsn håndtaget på beskyttelsesskærmen, efter at De har løsnet skruen. Monter beskyttelsesskærmen, så fremspringet på båndet på skærmen er justeret med mærket på kuglelejeboksen. Drej derefter beskyttelsesskærmen til den stilling, der er vist i figuren. Stram håndtaget for at låse beskyttelsesskærmen fast. Hvis håndtaget sidder for stramt eller for løst til at fastgøre beskyttelsesskærmen, løsnes eller strammes skruen for at indstille stramningen af båndet på skærmen. Følg fremgangsmåden til montering i omvendt rækkefølge for at afmontere beskyttelsesskærmen.

Montering eller afmontering af forsænket centerskive/multidisk (tilbehør)

ADVARSEL:

- Anvend altid den medfølgende beskyttelsesskærm, når en forsænket centerskive/multidisk er monteret på værktøjet. Skiven kan splintres under brug, og skærmen hjælper med at forebygge personskade.

(Fig. 12)

Monter den indvendige flange på spindelen. Monter skiven/disken på den indvendige flange, og skru sikringsmøtrikken på spindelen. For at stramme sikringsmøtrikken trykkes der fast på skafflåsen, så spindelen ikke kan dreje rundt. Brug derefter skruenøglen til sikringsmøtrikken til at stramme godt mod uret. (Fig. 13) Følg fremgangsmåden til montering i omvendt rækkefølge for at afmontere skiven.

BETJENING

ADVARSEL:

- Det bør aldrig være nødvendigt at anvende magt på værktøjet. Værktøjets egen vægt sørger for det nødvendige tryk. Tvang og kraftigt tryk kan medføre farlig beskadigelse af skiven.
- Udskift ALTID skiven, hvis værktøjet tabes under slibning.
- Stød eller slå ALDRIG disken eller skiven mod arbejdsemnet.
- Undgå at støde og vride skiven, især ved arbejde på hjørner, skarpe kanter osv. Det kan medføre tab af kontrollen og tilbageslag.
- Anvend ALDRIG værktøjet med klinger til skæring i træ og andre savklinger. Ved brug på en vinkelsliber forårsager sådanne klinger ofte tilbageslag og tab af kontrollen, hvilket kan resultere i personskade.

FORSIGTIG:

- Efter brugen skal De altid slukke for værktøjet og vente, indtil skiven er stoppet helt, før De lægger værktøjet fra Dem.

Anvendelse til vinkelslibning og sandslibning (Fig. 14)

Hold ALTID godt fast i værktøjet med den ene hånd på det bageste greb og den anden hånd på sidehåndtaget. Tænd for værktøjet, og sæt derefter skiven eller disken mod arbejdsemnet. Skiven eller disken skal som regel holdes i en vinkel på cirka 15 grader mod overfladen af arbejdsemnet.

Under indkøring af en ny skive må sliberen ikke anvendes i retningen B, da den ellers vil skære ned i arbejdsemnet. Når kanten af skiven er blevet rundet af ved brug, kan skiven benyttes i både A- og B-retningen.

VEDLIGEHOLDELSE

FORSIGTIG:

- Sørg altid for, at værktøjet er slukket, og at stikket er taget ud, før De forsøger at udføre inspektion eller vedligeholdelse.

Værktøjet og ventilationsåbningerne skal holdes rene. Rengør værktøjets ventilationsåbninger regelmæssigt, eller når åbningerne begynder at blive tilstoppede. (Fig. 15)

Udskiftning af kulbørsterne (Fig. 16)

Tag regelmæssigt kulbørsterne af, og efterse dem. Udskift dem, når de er nedslidt til slidgrænsen. Hold kulbørsterne rene og frie til at glide i holderne. Begge kulbørster skal udskiftes samtidig. Brug altid identiske kulbørster. Brug en skruetrækker til at fjerne kulholderdækslerne. Tag de udslidte kulbørster ud, monter de nye, og fastgør kulholderdækslerne. (Fig. 17) Efter udskiftning af børsterne skal De sætte værktøjet i stikkontakterne og slide børsterne til ved at lade værktøjet køre uden belastning i cirka 10 minutter. Kontroller derefter værktøjet under kørsel, samt at den elektriske bremse fungerer, når kontakgrebet slippes. Kontakt det lokale Makita-servicecenter for at få værktøjet repareret, hvis den elektriske bremse ikke fungerer korrekt. (For modellerne GA5020/GA6020) For at holde produktet SIKKERT og PÅLIDELIGT skal reparationer samt al anden vedligeholdelse eller justering udføres af autoriserede Makita-servicecentre, og der skal altid benyttes Makita-reservedele.

TILBEHØR

FORSIGTIG:

- Dette tilbehør eller ekstraudstyr anbefales til brug med det Makita-værktøj, som er beskrevet i denne brugsanvisning. Brug af andet tilbehør eller ekstraudstyr kan forårsage personskade. Brug kun tilbehør eller ekstraudstyr til det formål, det er beregnet til.
 - Værktøjet leveres med en beskyttelsesskærm til brug med en forsænket centerskive, multidisk og trådbørste. En vinkelslibeskive kan også bruges med en valgfri beskyttelsesskærm. Hvis De anvender Makita-sliberen sammen med godkendt tilbehør, som kan anskaffes fra Deres Makita-distributør eller servicecenter, skal De sørge for at anskaffe og benytte alle nødvendige fastgøringsmidler og beskyttelsesskærme, der anbefales i denne manual. Hvis De ikke gør dette, kan det medføre personskade på Dem selv eller andre.
- Henvend Dem til Deres lokale Makita-servicecenter, hvis De har brug for hjælp eller yderligere oplysninger vedrørende tilbehøret.

- Beskyttelsesskærm (Skivedæksel)
- Indvendig flange
- Forsænkede centerskiver
- Sikringsmøtrik (til forsænket centerskive)
- Gummimatte

- Slibediske
- Sikringsmøtrik (til slibediske)
- Skrueøgle til sikringsmøtrik
- Trådbørste
- Sidegreb
- Løkkehåndtag
- Støvdæksel

For model GA5020

Kun for lande i Europa

Støj ENG102-2

Det typiske A-vægtede lydtrykniveau bestemt i overensstemmelse med EN60745:

- Lydtrykniveau (L_{pA}): 89 dB (A)
- Lydkraftniveau (L_{WA}): 100 dB (A)
- Usikkerhed (K): 3 dB (A)

Bær høreværn.

Vibration ENG208-4

Den samlede vibrationsværdi (treaksel vektorsum) bestemt i overensstemmelse med EN60745:

- Arbejdstilstand: overfladeslibning
- Vibrationsemission ($a_{h,AG}$): 9 m/s²
- Usikkerhed (K): 1,5 m/s²

Afskæring eller trådbørstning kan give forskellige værdier for vibrationsemissioner.

For model GA5021

Kun for lande i Europa

Støj ENG102-2

Det typiske A-vægtede lydtrykniveau bestemt i overensstemmelse med EN60745:

- Lydtrykniveau (L_{pA}): 90 dB (A)
- Lydkraftniveau (L_{WA}): 101 dB (A)
- Usikkerhed (K): 3 dB (A)

Bær høreværn.

Vibration ENG208-4

Den samlede vibrationsværdi (treaksel vektorsum) bestemt i overensstemmelse med EN60745:

- Arbejdstilstand: overfladeslibning
- Vibrationsemission ($a_{h,AG}$): 13,5 m/s²
- Usikkerhed (K): 1,5 m/s²

Afskæring eller trådbørstning kan give forskellige værdier for vibrationsemissioner.

For model GA6020

Kun for lande i Europa

Støj ENG102-2

Det typiske A-vægtede lydtrykniveau bestemt i overensstemmelse med EN60745:

- Lydtrykniveau (L_{pA}): 89 dB (A)
- Lydkraftniveau (L_{WA}): 100 dB (A)
- Usikkerhed (K): 3 dB (A)

Bær høreværn.

Vibration ENG208-4

Den samlede vibrationsværdi (treaksel vektorsum) bestemt i overensstemmelse med EN60745:

- Arbejdstilstand: overfladeslibning
- Vibrationsemission ($a_{h,AG}$): 10 m/s²
- Usikkerhed (K): 1,5 m/s²

Afskæring eller trådbørstning kan give forskellige værdier for vibrationsemissioner.

For model GA6021

Kun for lande i Europa

Støj ENG102-2

Det typiske A-vægtede lydtrykniveau bestemt i overensstemmelse med EN60745:

- Lydtrykniveau (L_{pA}): 89 dB (A)
- Lydkraftniveau (L_{WA}): 100 dB (A)
- Usikkerhed (K): 3 dB (A)

Bær høreværn.

Vibration ENG208-4

Den samlede vibrationsværdi (treaksel vektorsum) bestemt i overensstemmelse med EN60745:

- Arbejdstilstand: overfladeslibning
- Vibrationsemission ($a_{h,AG}$): 6,5 m/s²
- Usikkerhed (K): 1,5 m/s²

Afskæring eller trådbørstning kan give forskellige værdier for vibrationsemissioner.

For model GA5020C

Kun for lande i Europa

Støj ENG102-2

Det typiske A-vægtede lydtrykniveau bestemt i overensstemmelse med EN60745:

- Lydtrykniveau (L_{pA}): 90 dB (A)
- Lydkraftniveau (L_{WA}): 101 dB (A)
- Usikkerhed (K): 3 dB (A)

Bær høreværn.

Vibration ENG208-4

Den samlede vibrationsværdi (treaksel vektorsum) bestemt i overensstemmelse med EN60745:

- Arbejdstilstand: overfladeslibning
- Vibrationsemission ($a_{h,AG}$): 9,5 m/s²
- Usikkerhed (K): 1,5 m/s²

Afskæring eller trådbørstning kan give forskellige værdier for vibrationsemissioner.

For model GA5021C

Kun for lande i Europa

Støj ENG102-2

Det typiske A-vægtede lydtrykniveau bestemt i overensstemmelse med EN60745:

- Lydtrykniveau (L_{pA}): 90 dB (A)
- Lydkraftniveau (L_{WA}): 101 dB (A)
- Usikkerhed (K): 3 dB (A)

Bær høreværn.

Vibration ENG208-4

Den samlede vibrationsværdi (treaksel vektorsum) bestemt i overensstemmelse med EN60745:

- Arbejdstilstand: overfladeslibning
- Vibrationsemission ($a_{h,AG}$): 8,5 m/s²
- Usikkerhed (K): 1,5 m/s²

Afskæring eller trådbørstning kan give forskellige værdier for vibrationsemissioner.

For model GA6020C

Kun for lande i Europa

Støj ENG102-2

Det typiske A-vægtede lydtrykniveau bestemt i overensstemmelse med EN60745:

- Lydtrykniveau (L_{pA}): 91 dB (A)
- Lydkraftniveau (L_{WA}): 102 dB (A)
- Usikkerhed (K): 3 dB (A)

Bær høreværn.

Vibration

ENG208-4

Den samlede vibrationsværdi (treaksial vektorsum)

bestemt i overensstemmelse med EN60745:

Arbejdstilstand: overfladeslibning

Vibrationsemission ($a_{h,AG}$): 9,0 m/s²

Usikkerhed (K): 1,5 m/s²

Afskæring eller trådbørstning kan give forskellige værdier for vibrationsemissioner.

For model GA6021C

Kun for lande i Europa

Støj

ENG102-2

Det typiske A-vægtede lydtrykniveau bestemt i

overensstemmelse med EN60745:

Lydtrykniveau (L_{pA}): 90 dB (A)

Lydkræftniveau (L_{WA}): 101 dB (A)

Usikkerhed (K): 3 dB (A)

Bær høreværn.

Vibration

ENG208-4

Den samlede vibrationsværdi (treaksial vektorsum)

bestemt i overensstemmelse med EN60745:

Arbejdstilstand: overfladeslibning

Vibrationsemission ($a_{h,AG}$): 8,5 m/s²

Usikkerhed (K): 1,5 m/s²

Afskæring eller trådbørstning kan give forskellige værdier for vibrationsemissioner.

EC-erklæring vedrørende overholdelse af standarder

ENH101-12

Vi, Makita Corporation, erklærer som ansvarlig

producent at følgende Makita-maskine(r):

Maskinens betegnelse: Vinkelsliber

Modelnummer/ type: GA5020/C, GA5021/C, GA6020/C, GA6021/C

er en produktionsserie og

Overholder følgende europæiske direktiver:

98/37/EC indtil den 28. december 2009 og derefter

2006/42/EC fra den 29. december 2009

Og er produceret i overensstemmelse med følgende

standarder eller standardiserede dokumenter:

EN60745

Den tekniske dokumentation findes hos vores

autoriserede repræsentant i Europa:

Makita International Europe Ltd,

Michigan, Drive, Tongwell,

Milton Keynes, MK15 8JD, England

30. januar 2009



Tomoyasu Kato


Direktør

Makita Corporation
3-11-8, Sumiyoshi-cho,
Anjo, Aichi, JAPAN

Περιγραφή γενικής όψης

- | | | |
|-------------------------------------------|---------------------------------------------------------|---------------------------------------|
| 1. Κλείδωμα άξονα | 10. Εξαγωνικό άλεν | 19. Κλειδί παξιμαδιού κλειδώματος |
| 2. Κουμπί ασφάλισης / Κουμπί κλειδώματος | 11. Μπουλόνι | 20. Άνοιγμα εξόδου αέρα |
| 3. Σκανδάλη-διακόπτης (τύπος Α) | 12. Προστατευτικό τροχού | 21. Άνοιγμα εισόδου αέρα |
| 4. Μοχλός κλειδώματος | 13. Βίδα | 22. Ένδειξη ορίου |
| 5. Σκανδάλη-διακόπτης (τύπος Β) | 14. Κιβώτιο ρουλεμάν | 23. Καπάκι υποδοχής για το καρβουνάκι |
| 6. Ενδεικτική λυχνία | 15. Μοχλός | 24. Κατσαβίδι |
| 7. Προεξοχή λαβής | 16. Παξιμάδι κλειδώματος | |
| 8. Αντιστοιχη οπή στο περίβλημα γραναζιού | 17. Τροχός τροχίσματος χαμηλωμένου κέντρου / Πολυδίσκος | |
| 9. Λαβή | 18. Εσωτερική φλάντζα | |

ΠΡΟΔΙΑΓΡΑΦΕΣ

Μοντέλο	GA5020	GA5021	GA5020C/ GA5021C	GA6020	GA6021	GA6020C/ GA6021C
Διάμετρος τροχού χαμηλωμένου κέντρου	125 mm	125 mm	125 mm	150 mm	150 mm	150 mm
Σπείρωμα ατράκτου	M14	M14	M14	M14	M14	M14
Ταχύτητα χωρίς φορτίο (n_0)/ Ονομαστική ταχύτητα (n)	11,000 min ⁻¹	11,000 min ⁻¹	10,000 min ⁻¹	10,000 min ⁻¹	10,000 min ⁻¹	9,000 min ⁻¹
Ολικό μήκος	356 mm	384 mm	390 mm	356 mm	384 mm	390 mm
Καθαρό βάρος	2,7 kg	2,7 kg	2,9 kg	3,0 kg	2,8 kg	3,0 kg
Τάξη ασφάλειας						

- Λόγω του συνεχόμενου προγράμματος που εφαρμόζουμε για έρευνα και ανάπτυξη, τα τεχνικά χαρακτηριστικά στο παρόν έντυπο υπόκεινται σε αλλαγή χωρίς προειδοποίηση.
- Τα τεχνικά χαρακτηριστικά μπορεί να διαφέρουν από χώρα σε χώρα.
- Βάρος σύμφωνα με την διαδικασία ΕΡΤΑ 01/2003

Προοριζόμενη χρήση

ENE048-1

Το εργαλείο προορίζεται για τρόχισμα, λείανση και κόψιμο μεταλλικών και πέτρινων υλικών χωρίς τη χρήση νερού.

Παροχή ρεύματος

ENF002-1

Το εργαλείο πρέπει να συνδέεται μόνο σε ηλεκτρική τροφοδοσία της ίδιας τάσης με αυτήν που αναγράφεται στην πινακίδα ονομαστικών τιμών και μπορεί να λειτουργήσει μόνο με εναλλασσόμενο μονοφασικό ρεύμα. Τα εργαλεία αυτά διαθέτουν διπλή μόνωση που συμμορφώνεται με τα ευρωπαϊκά πρότυπα και συνεπώς μπορούν να συνδεθούν με πρίζες χωρίς γείωση.

ΕΙΔΙΚΟΙ ΚΑΝΟΝΕΣ ΑΣΦΑΛΕΙΑΣ

GEB033-2

ΜΗΝ επιτρέψετε στη βολικότητα ή στην εξοικειωσή σας με το προϊόν (που αποκτήθηκε από επανειλημμένη χρήση) να αντικαταστήσει την αυστηρή προσήλωση στους κανόνες ασφάλειας του τροχού. Εάν χρησιμοποιήσετε αυτό το εργαλείο με ανασφαλές ή λανθασμένο τρόπο, ενδέχεται να υποστείτε σοβαρό τραυματισμό. Προειδοποιήσεις ασφάλειας που συνηθίζονται για τρόχισμα, λείανση, χρήση συρματόβουρτσας ή λειαντικές εργασίες κοπής:

1. Αυτό το ηλεκτρικό εργαλείο προορίζεται για να λειτουργεί ως εργαλείο τροχίσματος, λείανσης, συρματόβουρτσας ή κοπής. Διαβάστε όλες τις προειδοποιήσεις ασφάλειας, τις οδηγίες, τις εικόνες και τις προδιαγραφές που παρέχονται με

αυτό το ηλεκτρικό εργαλείο. Αν δεν ακολουθήσετε όλες τις οδηγίες που παρατίθενται παρακάτω, υπάρχει κίνδυνος ηλεκτροπληξίας, πυρκαγιάς ή/και σοβαρού τραυματισμού.

2. **Δεν συνιστάται η πραγματοποίηση εργασιών όπως το γυάλισμα με αυτό το ηλεκτρικό εργαλείο.** Αν χρησιμοποιηθεί το ηλεκτρικό εργαλείο για εργασίες για τις οποίες δεν έχει σχεδιαστεί, ενδεχομένως να προκληθεί κίνδυνος και προσωπικός τραυματισμός.
3. **Μη χρησιμοποιείτε εξαρτήματα που δεν είναι ειδικά σχεδιασμένα από τον κατασκευαστή του εργαλείου και τα οποία δεν συνιστά ο κατασκευαστής του εργαλείου.** Αν και είναι δυνατό να προσαρτηθεί το εξάρτημα στο ηλεκτρικό εργαλείο σας, αυτό δεν σημαίνει ότι μπορεί να λειτουργεί με ασφάλεια.
4. **Η ονομαστική ταχύτητα του εξαρτήματος πρέπει να είναι τουλάχιστον ίση με τη μέγιστη ταχύτητα που αναγράφεται στο ηλεκτρικό εργαλείο.** Τα εξαρτήματα που λειτουργούν με ταχύτητα υψηλότερη από την ονομαστική ταχύτητά τους μπορεί να σπασούν και να εκπιναχθούν τα μέρη τους.
5. **Η εξωτερική διάμετρος και το πάχος του εξαρτήματος σας πρέπει να βρίσκονται εντός των δυνατοτήτων του ηλεκτρικού εργαλείου σας.** Τα εξαρτήματα με λανθασμένο μέγεθος δεν προστατεύονται ούτε ελέγχονται ικανοποιητικά.
6. **Το μέγεθος στερέωσης των τροχών, των φλαντζών, των βυσμάτων στήριξης ή οποιονδήποτε άλλων εξαρτημάτων πρέπει να ταιριάζει σωστά στην άτρακτο του ηλεκτρικού**

εργαλείου. Τα εξαρτήματα με σπές στερέωσης που δεν ταιριάζουν με τον εξοπλισμό στερέωσης του ηλεκτρικού εργαλείου θα λειτουργούν ιδιόρρυθμα, προκαλώντας υπερβολικούς κραδασμούς και ενδεχομένως απώλεια ελέγχου.

7. **Μη χρησιμοποιείτε εξάρτημα που έχουν υποστεί βλάβη.** Πριν από κάθε χρήση να ελέγχετε τα εξαρτήματα, για παράδειγμα, τους λειαντικούς τροχούς για θραύσματα και ραγίσματα, τα βύσματα στήριξης για ραγίσματα, σχισίματα ή υπερβολική φθορά, τη συρματόβουρτα για χαλαρά ή ραγισμένα σύρματα. Αν το ηλεκτρικό εργαλείο ή ένα εξάρτημα πέσει κάτω, ελέγξτε για ζημιές ή εγκαταστήστε ένα εξάρτημα που δεν έχει υποστεί βλάβη. Μετά την εξέταση και την εγκατάσταση ενός εξαρτήματος, παραμείνετε εσείς και οι παρευρισκόμενοι μακριά από το επίπεδο του περιστρεφόμενου εξαρτήματος και λειτουργήστε το ηλεκτρικό εργαλείο στη μέγιστη ταχύτητα χωρίς φορτίο για ένα λεπτό. Τα εξαρτήματα που έχουν υποστεί βλάβη, συνήθως σπάνε κατά τη διάρκεια αυτής της δοκιμής.
8. **Να φοράτε προσωπικό προστατευτικό εξοπλισμό.** Ανάλογα με την εφαρμογή, να χρησιμοποιείτε προσωπίδα, προστατευτικά ματιών ή προστατευτικά γυαλιά. Αν είναι απαραίτητο, να φοράτε προσωπίδα κατά της σκόνης, γυαλιά ασφαλείας, γάντια και φόρμα συνεργείου που έχουν τη δυνατότητα να σταματούν την κίνηση μικρών θραυσμάτων που προέρχονται από τη λείανση ή το τεμάχιο εργασίας. Ο προστατευτικός εξοπλισμός για τα μάτια πρέπει να έχει τη δυνατότητα να σταματά την κίνηση των εκτινασσομένων θραυσμάτων που δημιουργούνται από τις διάφορες εργασίες. Η προσωπίδα κατά της σκόνης ή ο αναπνευστήρας πρέπει να έχει τη δυνατότητα να φιλτράρει τα σωματίδια που δημιουργούνται από την εργασία που εκτελείται. Η παρατεταμένη έκθεση σε θόρυβο υψηλής έντασης μπορεί να προκαλέσει απώλεια ακοής.
9. **Να απομακρύνετε τους μη έχοντες εργασία σε ασφαλή απόσταση από το χώρο εργασίας.** Κάθε άτομο που εισέρχεται στο χώρο εργασίας πρέπει να φορά προσωπικό προστατευτικό εξοπλισμό. Μπορεί να εκτιναχθούν θραύσματα από το τεμάχιο εργασίας ή από ένα σπασμένο εξάρτημα και να προκαλέσουν τραυματισμό σε άτομα που βρίσκονται μακριά από την άμεση περιοχή της εργασίας.
10. **Να κρατάτε το ηλεκτρικό εργαλείο μόνο από τις λαβές με μόνωση όταν εκτελείτε εργασίες κατά τις οποίες το κοπτικό εξάρτημα μπορεί να έρθει σε επαφή με κρυμμένα καλώδια ή με το ίδιο του το καλώδιο.** Αν το κοπτικό εξάρτημα έρθει σε επαφή με κάποιο ηλεκτροφόρο καλώδιο, τα εκτεθειμένα μεταλλικά μέρη του ηλεκτρικού εργαλείου θα γίνουν κι αυτά ηλεκτροφόρα και θα προκληθεί ηλεκτροπληξία στο χειριστή.
11. **Να τοποθετείτε το ηλεκτρικό καλώδιο μακριά από το περιστρεφόμενο εξάρτημα.** Αν χάσετε τον έλεγχο, το ηλεκτρικό καλώδιο μπορεί να κοπεί ή να σκαλώσει, και μπορεί να τραβήξει το χέρι ή το βραχιόνιό σας μέσα στο περιστρεφόμενο εξάρτημα.
12. **Ποτέ να μην τοποθετείτε κάτω το ηλεκτρικό εργαλείο έως ότου το εξάρτημα σταματήσει τελείως.** Το περιστρεφόμενο εξάρτημα ενδεχομένως

να πιαστεί στην επιφάνεια και να χάσετε τον έλεγχο του ηλεκτρικού εργαλείου.

13. **Μη θέτετε το ηλεκτρικό εργαλείο σε λειτουργία ενώ το μεταφέρετε κρατώντας το στο πλάι σας.** Η τυχαία επαφή με το περιστρεφόμενο εξάρτημα μπορεί να έχει ως αποτέλεσμα να πιαστούν τα ρούχα σας και το εξάρτημα να τραβηχτεί προς το σώμα σας.
14. **Καθαρίζετε τακτικά τα ανοίγματα εξαιρισμού του ηλεκτρικού εργαλείου.** Ο ανεμιστήρας του μοτέρ θα τραβήξει τη σκόνη στο εσωτερικό του περιβλήματος και η υπερβολική συσσώρευση μετάλλου σε σκόνη μπορεί να δημιουργήσει κίνδυνο ηλεκτροπληξίας.
15. **Μη θέτετε σε λειτουργία το ηλεκτρικό εργαλείο κοντά σε εύφλεκτα υλικά.** Οι σπινθήρες μπορούν να προκαλέσουν ανάφλεξη αυτών των υλικών.
16. **Μη χρησιμοποιείτε εξάρτηματα που απαιτούν υγρά ψυκτικά.** Η χρήση νερού ή άλλων υγρών ψυκτικών μπορεί να έχει ως αποτέλεσμα την ηλεκτροπληξία.

Κλώστσημα και Σχετικές Προειδοποιήσεις

Το κλώστσημα είναι μια ξαφνική αντίδραση όταν αποκοπεί ή σκαλώσει ο περιστρεφόμενος τροχός, το βύσμα στήριξης, η βούρτα ή κάποιο άλλο εξάρτημα. Το σφίξιμο ή το σκάλωμα προκαλεί ταχύτατο σταμάτημα του περιστρεφόμενου εξαρτήματος που με τη σειρά του προκαλεί το μη ελεγχόμενο ηλεκτρικό εργαλείο να κινηθεί προς την αντίθετη κατεύθυνση από την περιστροφή του εξαρτήματος στο σημείο της επαφής.

Για παράδειγμα, αν ένας λειαντικός τροχός αποκοπεί ή σκαλώσει στο τεμάχιο εργασίας, το άκρο του τροχού που εισέρχεται στο σημείο αποκοπής μπορεί να σκάψει μέσα στην επιφάνεια του υλικού και να έχει ως αποτέλεσμα ο τροχός να εξέλθει από αυτό ή να κλωστήσει. Ο τροχός μπορεί να πηδήξει είτε προς το χειριστή είτε μακριά από αυτόν, ανάλογα με την κατεύθυνση της κίνησης του τροχού στο σημείο του σκαλώματος. Οι λειαντικοί τροχοί μπορεί και να σπάσουν κάτω από αυτές τις συνθήκες. Το κλώστσημα προκαλείται όταν το ηλεκτρικό εργαλείο χρησιμοποιείται λανθασμένα ή/και όταν οι διαδικασίες ή οι συνθήκες λειτουργίας είναι λανθασμένες, ενώ μπορεί να αποφευχθεί αν ληφθούν οι κατάλληλες προφυλάξεις που αναφέρονται παρακάτω.

- α) **Να κρατάτε το ηλεκτρικό εργαλείο καλά και με τα δύο χέρια και να τοποθετείτε το σώμα και το βραχιόνιό σας με τρόπο ώστε να αντιστέκονται στη δύναμη του κλωστήματος.** Να χρησιμοποιείτε πάντα τη βοηθητική λαβή, αν παρέχεται, για μέγιστο έλεγχο κατά του κλωστήματος ή της αντίδρασης ροπής κατά την έναρξη της λειτουργίας. Ο χειριστής μπορεί να ελέγχει τις αντιδράσεις ροπής ή τις δυνάμεις κλωστήματος αν λάβει τις κατάλληλες προφυλάξεις.
- β) **Ποτέ μη τοποθετείτε το χέρι σας κοντά στο περιστρεφόμενο εξάρτημα.** Το εξάρτημα μπορεί να κλωστήσει επάνω από το χέρι σας.
- γ) **Μην τοποθετείτε το σώμα σας στην περιοχή που θα κινηθεί το ηλεκτρικό εργαλείο στην περίπτωση που αυτό κλωστήσει.** Το κλώστσημα θα προωθήσει το εργαλείο προς την αντίθετη κατεύθυνση της κίνησης του τροχού στο σημείο του σκαλώματος.
- δ) **Να είστε ιδιαίτερα προσεκτικοί όταν εργάζεστε σε γωνίες, αιχμηρές άκρες, κτλ.** Να αποφεύγετε την αναπήδηση και το σκάλωμα που εξαρτάται. Οι γωνίες, οι αιχμηρές άκρες ή η αναπήδηση έχουν

την τάση να σκαλώνουν το περιστρεφόμενο εξάρτημα και να προκαλούν την απώλεια ελέγχου ή το κλώτσημα.

ε) **Μην συνδέσετε μια λάμα αλυσοπρίονου για ξύλο ή μια οδοντωτή λάμα.** Τέτοιες λάμες δημιουργούν συχνά κλώτσημα και απώλεια του ελέγχου.

Ειδικές προειδοποιήσεις ασφάλειας για τρόχισμα και λειαντικές εργασίες κοπής:

α) **Να χρησιμοποιείτε μόνο είδη τροχών που συνιστώνται για το ηλεκτρικό εργαλείο σας και να χρησιμοποιείτε το ειδικό προστατευτικό που έχει σχεδιαστεί για τον επιλεγμένο τροχό.** Οι τροχοί για τους οποίους δεν είναι σχεδιασμένο το ηλεκτρικό εργαλείο δεν μπορούν να προστατευτούν ικανοποιητικά και είναι ανασφαλείς.

β) **Το προστατευτικό πρέπει να προσαρτηθεί με ασφάλεια στο ηλεκτρικό εργαλείο και να τοποθετηθεί ώστε να παρέχει μέγιστη ασφάλεια, με τρόπο ώστε ο χειριστής να είναι εκτεθειμένος σε όσο το δυνατό μικρότερο μέρος του τροχού.** Το προστατευτικό συμβάλλει στην προστασία του χειριστή από σπασμένα θραύσματα τροχού και την τυχαία επαφή με τον τροχό.

γ) **Πρέπει να χρησιμοποιείτε τους τροχούς μόνο για τις συνιστώμενες εφαρμογές. Για παράδειγμα: μην τροχίζετε με την πλευρά του τροχού κοπής.** Οι λειαντικοί τροχοί κοπής προορίζονται για περιφερειακό τρόχισμα. Οι πλευρικές δυνάμεις που ασκούνται σε αυτούς τους τροχούς ενδεχομένως να προκαλέσουν το θρυμματισμό τους.

δ) **Να χρησιμοποιείτε πάντα φλάντζες τροχών που δεν έχουν υποστεί ζημιά και είναι του σωστού μεγέθους και σχήματος για τον τροχό που επιλέξατε.** Οι σωστές φλάντζες τροχού υποστηρίζουν τον τροχό μειώνοντας κατά αυτόν τον τρόπο την πιθανότητα σπασίματος του τροχού. Οι φλάντζες για τους τροχούς κοπής ενδεχομένως να διαφέρουν από τις φλάντζες τροχών τριχοσίματος.

ε) **Μην χρησιμοποιείτε φθαρμένους τροχούς από μεγαλύτερα ηλεκτρικά εργαλεία.** Ο τροχός που προορίζεται για μεγαλύτερα ηλεκτρικά εργαλεία δεν είναι κατάλληλος για την υψηλότερη ταχύτητα των μικρότερων εργαλείων, και ενδεχομένως να σπάσει.

Πρόσθετες Ειδικές Προειδοποιήσεις Ασφάλειας για Λειαντικές Εργασίες Κοπής:

α) **Μη «φρακάρετε» τον τροχό κοπής και μην ασκείτε υπερβολική πίεση σε αυτόν. Μην επιχειρήσετε να κάνετε υπερβολικά βαθιά κοπή.** Αν ασκείται υπερβολική πίεση στον τροχό αυξάνεται το φορτίο και η ευπάθεια στις δυνάμεις στρέψης και δέσμωσης του τροχού στην κοπή, ενώ αυξάνεται και η πιθανότητα κλωτσήματος ή σπασίματος του τροχού.

β) **Μην τοποθετείτε το σώμα σας στην ίδια ευθεία με τον περιστρεφόμενο τροχό ή πίσω από αυτόν.** Όταν ο τροχός μετακινείται μακριά από το σώμα σας, ένα πιθανό κλώτσημα ενδεχομένως να προωθήσει τον περιστρεφόμενο τροχό και το ηλεκτρικό εργαλείο κατευθύνει επάνω σας τη στιγμή που τον θέτετε σε λειτουργία.

γ) **Όταν εμποδίζεται η κίνηση του τροχού ή όταν διακόπτεται η κοπή για οποιονδήποτε λόγο, σβήστε το ηλεκτρικό εργαλείο και κρατήστε το**

ακίνητο έως ότου ο τροχός σταματήσει να κινείται εντελώς. **Μη επιχειρήσετε ποτέ να βγάλετε τον τροχό κοπής από την κοπή όταν ο τροχός κινείται, επειδή το εργαλείο μπορεί να κλωτσήσει.** Διερευνήστε την αιτία λόγω της οποίας εμποδίζεται η κίνηση του τροχού και λάβετε διορθωτικά μέτρα.

δ) **Μην ξεκινάτε ξανά την εργασία κοπής στο τεμάχιο εργασίας. Αφήστε τον τροχό να αποκτήσει την πλήρη ταχύτητά του και εισάγετε τον ξανά στην κοπή προσεκτικά.** Αν θέσετε το ηλεκτρικό εργαλείο ξανά σε λειτουργία μέσα στο τεμάχιο εργασίας, μπορεί να εμποδιστεί η κίνηση του τροχού, ή μπορεί ο τροχός να αναπηδήσει ή να κλωτσήσει.

ε) **Πρέπει να στηρίζετε τις πλάκες και τα υπερμεγέθη τεμάχια εργασίας για να ελαχιστοποιείτε τον κίνδυνο αποκοπής και κλωτσήματος του τροχού.** Τα μεγάλα τεμάχια εργασίας τείνουν να βαρύνονται από το ίδιο τους το βάρος. Πρέπει να τοποθετείτε στηρίγματα κάτω από το τεμάχιο εργασίας, κοντά στη γραμμή κοπής και κοντά στην άκρη του τεμαχίου εργασίας, και στις δύο πλευρές του τροχού.

στ) **Να είστε ιδιαίτερα προσεκτικοί όταν εκτελείτε «κοπές θύλακα» σε τοίχους ή άλλες περιοχές για τις οποίες δεν γνωρίζετε τι κρύβουν στο εσωτερικό τους.** Αν ο τροχός προεξέχει, μπορεί να κόψει σωλήνες υγραερίου ή νερού, ηλεκτρικά καλώδια ή αντικείμενα που θα προκαλέσουν το κλώτσημά του.

Ειδικές Προειδοποιήσεις Ασφάλειας για τις Λειτουργίες Λείανσης:

α) **Μην χρησιμοποιείτε υπερβολικά υπερμεγέθη γυαλόχαρτα στο δίσκο. Να ακολουθείτε τις συστάσεις των κατασκευαστών, όταν επιλέγετε γυαλόχαρτο.** Αν το γυαλόχαρτο προεξέχει από το βύσμα για το γυαλόχαρτο, υπάρχει κίνδυνος να σκιστεί και ενδεχομένως να προκαλέσει σκάλωμα και σκίσιμο του δίσκου ή κλώτσημα.

Ειδικές Προειδοποιήσεις Ασφάλειας για τις Εργασίες με Χρήση Συρματόβουρτσας:

α) **Να γνωρίζετε ότι οι συρματένιες τρίχες πετούνται από τη βούρσα ακόμα και κατά την κανονική λειτουργία. Μην πιέζετε υπερβολικά τα σύρματα ασκώντας υπερβολικό φορτίο στη βούρσα.** Οι συρματένιες τρίχες μπορούν εύκολα να διαπεράσουν τον ελαφρύ ρουχισμό ή/και το δέρμα.
β) **Αν συνιστάται η χρήση προστατευτικού κατά τη χρήση της συρματόβουρτσας, μην αφήνετε τον τροχό σύρματος ή τη συρματόβουρτσα να εμπλακεί με το προστατευτικό.** Ενδεχομένως να μεγαλώσει η διάμετρος του τροχού του σύρματος ή της συρματόβουρτσας εξαιτίας του φόρτου εργασίας και των φυσικοεπιβατικών δυνάμεων.

Επιπλέον προειδοποιήσεις ασφάλειας:

17. **Όταν χρησιμοποιείτε τροχούς τριχοσίματος με χαμηλωμένο κέντρο, να βεβαιώνετε να χρησιμοποιείτε μόνο τροχούς ενισχυμένους με υαλοίνες.**

18. **Να προσέχετε ώστε να μην καταστρέψετε την άρακτο, τη φλάντζα (ειδικά την επιφάνεια τοποθέτησης) ή το παξιμάδι κλειδώματος. Αν τα εξαρτήματα αυτά είναι κατεστραμμένα, μπορεί να επέλθει ως αποτέλεσμα το σπάσιμο του τροχού.**

19. Βεβαιωθείτε ότι ο τροχός δεν ακουμπά το τεμάχιο εργασίας πριν ενεργοποιήσετε το διακόπτη λειτουργίας.
20. Πριν χρησιμοποιήσετε το εργαλείο σε ένα πραγματικό τεμάχιο εργασίας, να το αφήνετε να λειτουργεί για λίγη ώρα. Να προσέχετε για κραδασμούς ή κινήσεις που θα μπορούσαν να υποδείξουν κακή τοποθέτηση ή κακή ισορροπηση του τροχού.
21. Να χρησιμοποιείτε την καθορισμένη επιφάνεια του τροχού για την εκτέλεση του τροχίσματος.
22. Προσέχετε τις σπίνες που πετάνονται. Να κρατάτε το εργαλείο με τρόπο ώστε οι σπίνες να πετάνονται μακριά από εσάς, άλλα άτομα ή εύφλεκτα υλικά.
23. Μην αφήνετε το εργαλείο σε λειτουργία. Το εργαλείο πρέπει να βρίσκεται σε λειτουργία μόνο όταν το κρατάτε.
24. Μην αγγίζετε το τεμάχιο εργασίας αμέσως μετά τη λειτουργία του εργαλείου. Μπορεί να είναι εξαιρετικά θερμό και να προκληθεί έγκαυμα στο δέρμα σας.
25. Να βεβαιώνετε πάντοτε ότι έχετε σβήσει το εργαλείο και έχετε βγάλει το φως του ηλεκτρικού καλωδίου από την πρίζα ή έχετε βγάλει την μπαταρία πριν εκτελέσετε οποιαδήποτε εργασία σε αυτό.
26. Να τηρείτε τις οδηγίες του κατασκευαστή όσον αφορά τη σωστή τοποθέτηση και χρήση των τροχών. Να χειρίζεστε και να αποθηκεύετε τους τροχούς με προσοχή.
27. Μη χρησιμοποιείτε ξεχωριστές ροδέλες ή προσαρμογείς για να προσαρμόσετε λειαντικούς τροχούς με μεγάλη οπή.
28. Να χρησιμοποιείτε μόνο φλάντζες κατάλληλες για αυτό το εργαλείο.
29. Για εργαλεία στα οποία πρόκειται να τοποθετήσετε τροχό με οπή με σπείρωμα, να βεβαιώνετε ότι το σπείρωμα στον τροχό είναι αρκετά μακρύ για να δεχτεί το μήκος της ατράκτου.
30. Ελέγξτε ότι το τεμάχιο εργασίας υποστηρίζεται σωστά.
31. Να προσέχετε όταν ο τροχός συνεχίζει να περιστρέφεται ακόμη και αφού απενεργοποιήσετε το εργαλείο.
32. Εάν το περιβάλλον εργασίας είναι πολύ ζεστό και υγρό ή εάν υπάρχει υπερβολική αγωγήμη σκόνη, να χρησιμοποιείτε ασφάλεια βραχυκυκλώματος (30 mA) για να εξασφαλίζετε την ασφάλεια του χειριστή.
33. Μη χρησιμοποιείτε το εργαλείο σε κανένα υλικό που περιέχει αμιάντο.
34. Μη χρησιμοποιείτε νερό ή λιπαντικό τροχίσματος.
35. Να φροντίζετε ώστε τα ανοίγματα εξερισμού να είναι καθαρά όταν εργάζεστε σε χώρους με σκόνη. Εάν είναι απαραίτητο να καθαρίσετε τη σκόνη, αποσυνδέστε πρώτα το εργαλείο από την κεντρική παροχή ηλεκτρικού ρεύματος (μη χρησιμοποιείτε μεταλλικά αντικείμενα) και προσέξτε να μην προκαλέσετε ζημιά στα εσωτερικά μέρη.
36. Όταν χρησιμοποιείτε τροχό κοπής, να εργάζεστε πάντοτε με το προστατευτικό συλλογής σκόνης

του τροχού όπως απαιτείται από τους τοπικούς κανονισμούς.

37. Οι δίσκοι κοπής δεν πρέπει να υφίστανται καμία πλευρική πίεση.

ΠΡΟΕΙΔΟΠΟΙΗΣΗ:

Η ΛΑΘΑΙΩΣΜΕΝΗ ΧΡΗΣΗ ή η μη τήρηση των κανόνων ασφαλείας που διατυπώνονται στο παρόν εγχειρίδιο οδηγίων μπορεί να προκαλέσει σοβαρό τραυματισμό.

ΦΥΛΑΞΤΕ ΑΥΤΕΣ ΤΙΣ ΟΔΗΓΙΕΣ.

ΠΕΡΙΓΡΑΦΗ ΛΕΙΤΟΥΡΓΙΑΣ

ΠΡΟΣΟΧΗ:

- Να βεβαιώνετε πάντοτε ότι το εργαλείο είναι σβηστό και αποσυνδεδεμένο από το ηλεκτρικό ρεύμα πριν ρυθμίζετε ή ελέγχετε κάποια λειτουργία του.

Κλειδώμα άξονα (Εικ. 1)

ΠΡΟΣΟΧΗ:

- Μην ενεργοποιείτε το κλειδώμα άξονα όταν κινείται η ατράκτος. Μπορεί να προκληθεί βλάβη στο εργαλείο. Να πιέζετε το κλειδώμα άξονα για να αποφεύγετε την περιστροφή της ατράκτου κατά την τοποθέτηση ή την αφαίρεση εξαρτημάτων.

Δράση διακόπτη

ΠΡΟΣΟΧΗ:

- Πριν συνδέετε το εργαλείο, πάντοτε να ελέγχετε ότι η σκανδάλη-διακόπτης ενεργοποιείται κανονικά και επιστρέφει στη θέση OFF όταν την αφήνετε.

Για εργαλείο με τύπο Α σκανδάλη-διακόπτη (Εικ. 2)

Για εργαλείο χωρίς κουμπί ασφάλισης και κουμπί κλειδώματος

Για να ξεκινήσετε το εργαλείο, απλά πιέστε τη σκανδάλη-διακόπτη. Για να σταματήσετε, αφήστε τη σκανδάλη-διακόπτη.

Για εργαλείο με κουμπί ασφάλισης

Για να μην πιεστεί η σκανδάλη-διακόπτης κατά λάθος, παρέχεται ένας μοχλός ασφάλισης. Για να ξεκινήσετε τη λειτουργία του εργαλείου, πιέστε το μοχλό ασφάλισης και μετά πατήστε τη σκανδάλη-διακόπτη. Για να σταματήσετε, αφήστε τη σκανδάλη-διακόπτη. Για συνεχή λειτουργία, πιέστε το μοχλό ασφάλισης, τραβήξτε την σκανδάλη-διακόπτη και μετά πιέστε το μοχλό κλειδώματος περισσότερο στο. Για να βγάλετε το εργαλείο από την κλειδωμένη θέση, πιέστε εντελώς τη σκανδάλη-διακόπτη και κατόπιν αφήστε την.

Για εργαλείο με κουμπί κλειδώματος

Για να μην πιέζεται η σκανδάλη-διακόπτης κατά λάθος, παρέχεται ένα κουμπί κλειδώματος. Για να ξεκινήσετε τη λειτουργία του εργαλείου, πιέστε το κουμπί ασφάλισης και πατήστε τη σκανδάλη-διακόπτη. Για να σταματήσετε, αφήστε τη σκανδάλη-διακόπτη.

Για εργαλείο με τύπο Β σκανδάλη-διακόπτη (Εικ. 3)

Για εργαλείο με διακόπτη κλειδώματος

Για να ξεκινήσετε το εργαλείο, απλά πιέστε τη σκανδάλη-διακόπτη (Α).

Για να σταματήσετε, αφήστε τη σκανδάλη-διακόπτη. Για συνεχόμενη λειτουργία, πατήστε τη σκανδάλη-διακόπτη

(Α) και κατόπιν πατήστε το μοχλό κλειδώματος (Β). Για να βγάλετε το εργαλείο από την κλειδωμένη θέση, πιέστε εντελώς τη σκανδάλη-διακόπτη (Α) και κατόπιν αφήστε την.

Για εργαλείο με διακόπτη ασφάλισης

Για να μην πειστεί η σκανδάλη-διακόπτης κατά λάθος, παρέχεται ένας μοχλός ασφάλισης. Για να ξεκινήσετε τη λειτουργία του εργαλείου, πιέστε το μοχλό ασφάλισης (Β) και μετά πατήστε τη σκανδάλη-διακόπτη (Α). Για να σταματήσετε, αφήστε την σκανδάλη-διακόπτη.

Για εργαλείο με διακόπτη ασφάλισης και κλειδώματος

Για να μην πειστεί η σκανδάλη-διακόπτης κατά λάθος, παρέχεται ένας μοχλός ασφάλισης. Για να ξεκινήσετε τη λειτουργία του εργαλείου, πιέστε το μοχλό ασφάλισης (Β) και μετά πατήστε τη σκανδάλη-διακόπτη (Α). Για να σταματήσετε, αφήστε τη σκανδάλη-διακόπτη. Για συνεχή λειτουργία, πιέστε το μοχλό ασφάλισης (Β), τραβήξτε τη σκανδάλη-διακόπτη και μετά πιέστε το μοχλό κλειδώματος περισσότερο στο (Β). Για να βγάλετε το εργαλείο από την κλειδωμένη θέση, πιέστε εντελώς τη σκανδάλη-διακόπτη (Α) και κατόπιν αφήστε την.

Ηλεκτρονική λειτουργία

Συνεχής έλεγχος ταχύτητας (Για το μοντέλο GA5020C, GA5021C, GA6020C, GA6021C)

- Είναι δυνατό να έχετε ένα καθαρό τελείωμα, επειδή η ταχύτητα περιστροφής διατηρείται σταθερή ακόμη και κάτω από συνθήκες φορτίου.
- Επιπρόσθετα, όταν το φορτίο στο εργαλείο ξεπερνά τα επιτρεπόμενα όρια, η ισχύς στο μοτέρ ελαττώνεται για την προστασία του μοτέρ από την υπερθέρμανση. Όταν το φορτίο επιστρέψει στα επιτρεπτά όρια, το εργαλείο θα λειτουργεί κανονικά.

Χαρακτηριστικό ομαλής εκκίνησης

- Χρησιμοποιήστε την ομαλή εκκίνηση λόγω των απότομων κραδασμών κατά την εκκίνηση.

Ενδεικτική λυχνία (Εικ. 4)

Όταν συνδέετε το εργαλείο στη μπρίζα, ανάβει η πράσινη ενδεικτική λυχνία. Αν δεν ανάβει η ενδεικτική λυχνία, μπορεί να είναι ελαττωματικό το ηλεκτρικό καλώδιο ή ο ελεγκτής. Αν η ενδεικτική λυχνία είναι αναμμένη, αλλά το εργαλείο δεν ξεκινάει, ακόμη και αν πατηθεί ο διακόπτης, μπορεί να έχουν φθαρεί τα καρβουνάκια, ή να είναι ελαττωματικός ο ελεγκτής, το μοτέρ ή ο διακόπτης ON/OFF.

Προστασία ακούσιας επανεκκίνησης

Ο μοχλός ασφάλισης διατηρεί τη σκανδάλη-διακόπτη πατημένη (Ασφαλισμένη θέση) μη επιτρέποντας στο εργαλείο την επανεκκίνηση ακόμη και όταν αυτό μπει στην μπρίζα.

Τη στιγμή αυτή, η ενδεικτική λυχνία αναβοσβήνει στο κόκκινο και δείχνει ότι λειτουργεί η συσκευή της προστασίας ενάντια στην ακούσια επανεκκίνηση.

Για την ακύρωση της προστασίας ενάντια στην ακούσια επανεκκίνηση, τραβήξτε τη σκανδάλη-διακόπτη πλήρως, και μετά ελευθερώστε την.

ΣΥΝΑΡΜΟΛΟΓΗΣΗ

ΠΡΟΣΟΧΗ:

- Να βεβαιώνετε πάντοτε ότι το εργαλείο είναι σβηστό και αποσυνδεδεμένο από το ηλεκτρικό ρεύμα πριν εκτελέσετε οποιαδήποτε εργασία σε αυτό.

Τοποθέτηση πλαινής λαβής (χειρολαβή) (Εικ. 5)

ΠΡΟΣΟΧΗ:

- Πριν από τη λειτουργία, να βεβαιώνετε πάντοτε ότι είναι τοποθετημένη με ασφάλεια η πλαινή λαβή. Να βιδώνετε με ασφάλεια την πλαινή λαβή στη θέση του εργαλείου όπως απεικονίζεται στην εικόνα.

Τοποθέτηση λαβής (εξάρτημα)

ΠΡΟΣΟΧΗ:

- Πριν από τη λειτουργία, να βεβαιώνετε πάντοτε ότι είναι τοποθετημένη με ασφάλεια η λαβή. **(Εικ. 6)** Να τοποθετείτε πάντα τη λαβή στο εργαλείο πριν από τη λειτουργία. Να κρατάτε τη λαβή διακόπτη και τη λαβή του εργαλείου καλά και με τα δύο χέρια κατά τη λειτουργία. Τοποθετήστε τη λαβή με τρόπο ώστε η προεξοχή της να ταιριάζει στην αντίστοιχη οπή μέσα στο περίβλημα γραναζιού. Τοποθετήστε τα μπουλόνια και σφίξτε τα με το εξαγωνικό κλειδί. Μπορείτε να τοποθετήσετε τη λαβή προς δύο διαφορετικές κατευθύνσεις, όπως απεικονίζεται στις εικόνες, δηλαδή προς την κατεύθυνση που σας βολεύει για την εργασία. **(Εικ. 7 και 8)**

Τοποθέτηση ή αφαίρεση του προστατευτικού του τροχού

ΠΡΟΣΟΧΗ:

- Όταν χρησιμοποιείτε τροχό τροχίσματος χαμηλωμένου κέντρου/πολυδίσκο, συρματόβουρτα τροχού ή τροχό κοπής, το προστατευτικό τροχού πρέπει να είναι προσαρμοσμένο στο εργαλείο με τρόπο ώστε η κλειστή πλευρά του προστατευτικού να είναι πάντοτε στραμμένη προς τη μεριά του χειριστή.

Για εργαλείο με προστατευτικό του τροχού που ασφαλίζει με βίδα (Εικ. 9)

Τοποθετήστε το προστατευτικό τροχού με τρόπο ώστε η προεξοχή στη ζώνη προστατευτικού τροχού να είναι ευθυγραμμισμένη με την εγκοπή στο κιβώτιο τριβών. Κατόπιν περιστρέψτε το προστατευτικό τροχού κατά 180 μοίρες αριστερόστροφα. Βεβαιωθείτε να σφίξετε καλά τις βίδες.

Για να βγάλετε το προστατευτικό τροχού, ακολουθήστε τη διαδικασία τοποθέτησης με αντίστροφη σειρά.

Για εργαλείο με προστατευτικό του τροχού που ασφαλίζει με μοχλό (Εικ. 10 και 11)

Ξεσφίξτε το μοχλό στο προστατευτικό του τροχού αφότου ξεσφίξετε τη βίδα. Τοποθετήστε το προστατευτικό τροχού με τρόπο ώστε η προεξοχή στη ζώνη προστατευτικού τροχού να είναι ευθυγραμμισμένη με την εγκοπή στο κιβώτιο τριβών. Στη συνέχεια περιστρέψτε το προστατευτικό του τροχού στη θέση που δείχνεται στην εικόνα. Σφίξτε το μοχλό για να στερεώσετε το προστατευτικό του τροχού. Εάν ο μοχλός είναι πολύ σφικτός ή πολύ χαλαρός για να στερεώσετε το

προστατευτικό του τροχού, ξεσφίξτε ή σφίξτε τη βίδα για να ρυθμίσετε το σφίξιμο της ζώνης του προστατευτικού του τροχού.

Για να βγάλετε το προστατευτικό τροχού, ακολουθήστε τη διαδικασία τοποθέτησης με αντίστροφη σειρά.

Τοποθέτηση ή αφαίρεση τροχού τροχίσματος χαμηλωμένου κέντρου/πολυδίσκου (αξεσουάρ)

ΠΡΟΕΙΔΟΠΟΙΗΣΗ:

- Να χρησιμοποιείτε πάντα το προστατευτικό που παρέχεται όταν υπάρχει τροχός τροχίσματος χαμηλωμένου κέντρου/πολυδίσκου στο εργαλείο. Ο τροχός μπορεί να θρυμματιστεί κατά τη χρήση και το προστατευτικό βοηθάει ώστε να μειωθούν οι πιθανότητες για προσωπικό τραυματισμό. **(Εικ. 12)**

Στερεώστε την εσωτερική φλάντζα στην άτρακτο.

Προσαρμόστε τον τροχό/δίσκο στην εσωτερική φλάντζα και βιδώστε το παξιμάδι κλειδώματος στην άτρακτο.

Για να σφίξτε το παξιμάδι κλειδώματος, πιέστε καλά το κλειδώμα άξονα ώστε να μην μπορεί να περιστρέφεται η άτρακτος. Κατόπιν, χρησιμοποιήστε το κλειδί παξιμαδιού κλειδώματος και σφίξτε καλά δεξιόστροφα. **(Εικ. 13)**

Για να αφαιρέσετε τον τροχό, ακολουθήστε τη διαδικασία τοποθέτησης με αντίστροφη σειρά.

ΛΕΙΤΟΥΡΓΙΑ

ΠΡΟΕΙΔΟΠΟΙΗΣΗ:

- Δεν θα πρέπει ποτέ να ασκείτε δύναμη στο εργαλείο. Το βάρος του εργαλείου εφαρμόζει αρκετή πίεση. Ο εξαναγκασμός και η υπερβολική πίεση μπορεί να προκαλέσουν το σπάσιμο του τροχού.
- ΠΑΝΤΟΤΕ να αντικαθιστάτε τον τροχό αν το εργαλείο πέσει κάτω κατά το τρόχισμα.
- ΠΟΤΕ μη χτυπάτε το δίσκο ή τον τροχό τροχίσματος επάνω στο αντικείμενο εργασίας.
- Να αποφεύγετε την αναπήδηση και το σκάλωμα του τροχού, ιδιαίτερα όταν εργάζεστε σε γωνίες, αιχμηρές άκρες, κτλ. Μπορεί να προκληθεί απώλεια του ελέγχου και κλότσημα.
- ΠΟΤΕ μη χρησιμοποιείτε το εργαλείο με λάμες κοπής ξύλου και λάμες άλλου είδους. Όταν χρησιμοποιούνται τέτοιες λάμες στον τροχό, προκαλείται συχνά κλότσημα και απώλεια του ελέγχου οδηγώντας σε προσωπικό τραυματισμό.

ΠΡΟΣΟΧΗ:

- Μετά τη λειτουργία, να σβήνετε πάντοτε το εργαλείο και να περιμένετε έως ότου ακινητοποιηθεί ο τροχός πριν αφήσετε το εργαλείο κάτω.

Εργασία τροχίσματος και λείανσης (Εικ. 14)

Να κρατάτε ΠΑΝΤΟΤΕ το εργαλείο σταθερά με το ένα χέρι στην πίσω λαβή και με το άλλο χέρι στην πλαινή λαβή. Θέστε το εργαλείο σε λειτουργία και κατόπιν τοποθετήστε τον τροχό ή το δίσκο επάνω στο τεμάχιο εργασίας.

Σε γενικές γραμμές, να κρατάτε την άκρη του τροχού ή του δίσκου σε γωνία περίπου 15 μοιρών ως προς την επιφάνεια του τεμαχίου εργασίας.

Κατά τη διάρκεια της περιόδου στρωσίματος ενός καινούργιου τροχού, μη χειρίζεστε τον τροχό προς την κατεύθυνση Β επειδή θα κόψει το τεμάχιο εργασίας. Μόλις

στογγυλοποιηθεί η άκρη του τροχού λόγω χρήσης, μπορείτε να χρησιμοποιήσετε τον τροχό και προς τις δύο κατευθύνσεις Α και Β.

ΣΥΝΤΗΡΗΣΗ

ΠΡΟΣΟΧΗ:

- Να βεβαιώνετε πάντοτε ότι το εργαλείο είναι σβηστό και αποσυνδεδεμένο από το ηλεκτρικό ρεύμα πριν εκτελέσετε οποιαδήποτε εργασία ελέγχου ή συντήρησης σε αυτό.

Το εργαλείο και τα ανοίγματα εξαιρισμού του πρέπει να διατηρούνται καθαρά.

Να καθαρίζετε τακτικά τα ανοίγματα εξαιρισμού του εργαλείου ή όταν αρχίσουν να φράσσονται. **(Εικ. 15)**

Αλλαγή καρβουνακίων (Εικ. 16)

Να αφαιρείτε και να ελέγχετε τακτικά τα καρβουνάκια.

Να αντικαθιστάτε τα καρβουνάκια όταν έχουν φθαρεί έως την ένδειξη ορίου. Να διατηρείτε τα καρβουνάκια καθαρά και ελεύθερα για να γλιστρούν στις υποδοχές.

Πρέπει να αλλάζετε ταυτόχρονα και τα δύο καρβουνάκια.

Να χρησιμοποιείτε μόνο καρβουνάκια ίδιου τύπου.

Με τη βοήθεια ενός κατασαβιδιού, βγάλτε τα καπάκια υποδοχής για τα καρβουνάκια.

Βγάλτε τα φθαρμένα καρβουνάκια, τοποθετήστε τα καινούργια και ασφαλίστε τα καπάκια υποδοχής για τα καρβουνάκια. **(Εικ. 17)**

Μετά την αντικατάσταση των καρβουνακίων, συνδέστε στην μπρίζα το εργαλείο και "στρώστε" τα καρβουνάκια λειτουργώντας το εργαλείο χωρίς φορτίο για περίπου 10 λεπτά.

Κατά την ελευθέρωση της σκανδάλης-διακόπτη, ελέγξτε το εργαλείο καθώς λειτουργεί καθώς επίσης και την χρήση του ηλεκτρικού φρένου. Αν το ηλεκτρικό φρένο δεν λειτουργεί καλά, επικοινωνήστε με τον τοπικό αντιπρόσωπο του σέρβις της Makita για την επισκευή. (Για τα μοντέλα GA5020/GA6020)

Για να διατηρείται η ΑΣΦΑΛΕΙΑ και η ΑΞΙΟΠΙΣΤΙΑ του προϊόντος, οι εργασίες επισκευής, καθώς και οποιαδήποτε άλλα εργασιακά συντήρησης ή ρύθμισης, θα πρέπει να εκτελούνται σε εξουσιοδοτημένα κέντρα εξυπηρέτησης της Makita, και πάντοτε με τη χρήση ανταλλακτικών της Makita.

ΑΞΕΣΟΥΑΡ

ΠΡΟΣΟΧΗ:

- Συνιστάται η χρήση των παρακάτω αξεσουάρ και εξαρτημάτων με το εργαλείο της Makita μόνο όπως καθορίζεται στο παρόν εγχειρίδιο. Αν χρησιμοποιήσετε άλλα αξεσουάρ ή εξαρτήματα μπορεί να παρουσιαστεί κίνδυνος για πρόκληση ατομικού τραυματισμού. Να χρησιμοποιείτε τα αξεσουάρ και τα εξαρτήματα μόνο για το σκοπό για τον οποίο προορίζονται.
- Το εργαλείο σας είναι εξοπλισμένο με προστατευτικό για χρήση με τροχό τροχίσματος χαμηλωμένου κέντρου, πολυδίσκο και συρματόβουρτσα τροχού. Ο τροχός κοπής μπορεί να χρησιμοποιηθεί και με προαιρετικό προστατευτικό. Αν αποφασίσετε να χρησιμοποιήσετε τον τροχό της Makita με εγκεκριμένα εξαρτήματα τα οποία θα αγοράσετε από διανομέα ή κέντρο εξυπηρέτησης της Makita, βεβαιωθείτε να προμηθευτείτε όλους τους απαραίτητους συνδετήρες και προστατευτικά που συνιστώνται σε αυτό το

εγχειρίδιο. Αν δεν το κάνετε αυτό, μπορεί να έχει ως αποτέλεσμα προσωπικό τραυματισμό σε εσάς ή σε άλλους.

Αν χρειάζεστε κάποια βοήθεια ή περισσότερες πληροφορίες σχετικά με τα αξεσουάρ αυτά, απευθυνθείτε στο πλησιέστερο κέντρο εξυπηρέτησης της Makita.

- Προστατευτικό τροχού (Κάλυμμα τροχού)
- Εσωτερική φλάντζα
- Τροχοί χαμηλωμένου κέντρου
- Παξιμάδι κλειδώματος (για τροχό χαμηλωμένου κέντρου)
- Λαστιχένιο βύσμα
- Λειαντικοί δίσκοι
- Παξιμάδι κλειδώματος (για λειαντικούς δίσκους)
- Κλειδί παξιμαδιών κλειδώματος
- Συρματένιο καρβουνάκι
- Πλαϊνή λαβή
- Λαβή
- Κάλυμμα σκόνης

Για το μοντέλο GA5020

Για ευρωπαϊκές χώρες μόνο

Θόρυβος

ENG102-2

Το σύνθηες σταθμισμένο επίπεδο θορύβου που έχει καθοριστεί σύμφωνα με την EN60745:

Επίπεδο ηχητικής πίεσης (L_{pA}): 89 dB (A)

Επίπεδο ηχητικής ισχύος (L_{WA}): 100 dB (A)

Αβεβαιότητα (K): 3 dB (A)

Να φοράτε ωτοασπίδες.

Κραδασμοί

ENG208-4

Η συνολική τιμή κραδασμών (άθροισμα τριαξονικού διανύσματος) που έχει καθοριστεί σύμφωνα με την EN60745:

Κατάσταση λειτουργίας: επιφάνειες τροχίσματος

Εκπομπή κραδασμού ($a_{h,AG}$): 9 m/s²

Αβεβαιότητα (K): 1,5 m/s²

Η εργασία κοπής ή η χρήση συρματόβουρτσας ενδέχεται να έχουν διαφορετικές τιμές εκπομπής δόνησης.

Για το μοντέλο GA5021

Για ευρωπαϊκές χώρες μόνο

Θόρυβος

ENG102-2

Το σύνθηες σταθμισμένο επίπεδο θορύβου που έχει καθοριστεί σύμφωνα με την EN60745:

Επίπεδο ηχητικής πίεσης (L_{pA}): 90 dB (A)

Επίπεδο ηχητικής ισχύος (L_{WA}): 101 dB (A)

Αβεβαιότητα (K): 3 dB (A)

Να φοράτε ωτοασπίδες.

Κραδασμοί

ENG208-4

Η συνολική τιμή κραδασμών (άθροισμα τριαξονικού διανύσματος) που έχει καθοριστεί σύμφωνα με την EN60745:

Κατάσταση λειτουργίας: επιφάνειες τροχίσματος

Εκπομπή κραδασμού ($a_{h,AG}$): 13,5 m/s²

Αβεβαιότητα (K): 1,5 m/s²

Η εργασία κοπής ή η χρήση συρματόβουρτσας ενδέχεται να έχουν διαφορετικές τιμές εκπομπής δόνησης.

Για το μοντέλο GA6020

Για ευρωπαϊκές χώρες μόνο

Θόρυβος

ENG102-2

Το σύνθηες σταθμισμένο επίπεδο θορύβου που έχει καθοριστεί σύμφωνα με την EN60745:

Επίπεδο ηχητικής πίεσης (L_{pA}): 89 dB (A)

Επίπεδο ηχητικής ισχύος (L_{WA}): 100 dB (A)

Αβεβαιότητα (K): 3 dB (A)

Να φοράτε ωτοασπίδες.

Κραδασμοί

ENG208-4

Η συνολική τιμή κραδασμών (άθροισμα τριαξονικού διανύσματος) που έχει καθοριστεί σύμφωνα με την EN60745:

Κατάσταση λειτουργίας: επιφάνειες τροχίσματος

Εκπομπή κραδασμού ($a_{h,AG}$): 10 m/s²

Αβεβαιότητα (K): 1,5 m/s²

Η εργασία κοπής ή η χρήση συρματόβουρτσας ενδέχεται να έχουν διαφορετικές τιμές εκπομπής δόνησης.

Για το μοντέλο GA6021

Για ευρωπαϊκές χώρες μόνο

Θόρυβος

ENG102-2

Το σύνθηες σταθμισμένο επίπεδο θορύβου που έχει καθοριστεί σύμφωνα με την EN60745:

Επίπεδο ηχητικής πίεσης (L_{pA}): 89 dB (A)

Επίπεδο ηχητικής ισχύος (L_{WA}): 100 dB (A)

Αβεβαιότητα (K): 3 dB (A)

Να φοράτε ωτοασπίδες.

Κραδασμοί

ENG208-4

Η συνολική τιμή κραδασμών (άθροισμα τριαξονικού διανύσματος) που έχει καθοριστεί σύμφωνα με την EN60745:

Κατάσταση λειτουργίας: επιφάνειες τροχίσματος

Εκπομπή κραδασμού ($a_{h,AG}$): 6,5 m/s²

Αβεβαιότητα (K): 1,5 m/s²

Η εργασία κοπής ή η χρήση συρματόβουρτσας ενδέχεται να έχουν διαφορετικές τιμές εκπομπής δόνησης.

Για το μοντέλο GA5020C

Για ευρωπαϊκές χώρες μόνο

Θόρυβος

ENG102-2

Το σύνθηες σταθμισμένο επίπεδο θορύβου που έχει καθοριστεί σύμφωνα με την EN60745:

Επίπεδο ηχητικής πίεσης (L_{pA}): 90 dB (A)

Επίπεδο ηχητικής ισχύος (L_{WA}): 101 dB (A)

Αβεβαιότητα (K): 3 dB (A)

Να φοράτε ωτοασπίδες.

Κραδασμοί

ENG208-4

Η συνολική τιμή κραδασμών (άθροισμα τριαξονικού διανύσματος) που έχει καθοριστεί σύμφωνα με την EN60745:

Κατάσταση λειτουργίας: επιφάνειες τροχίσματος

Εκπομπή κραδασμού ($a_{h,AG}$): 9,5 m/s²

Αβεβαιότητα (K): 1,5 m/s²

Η εργασία κοπής ή η χρήση συρματόβουρτσας ενδέχεται να έχουν διαφορετικές τιμές εκπομπής δόνησης.

Για το μοντέλο GA5021C
Για ευρωπαϊκές χώρες μόνο

Θόρυβος

ENG102-2

Το σύνθετο σταθμισμένο επίπεδο θορύβου που έχει καθοριστεί σύμφωνα με την EN60745:

Επίπεδο ηχητικής πίεσης (L_{pA}): 90 dB (A)

Επίπεδο ηχητικής ισχύος (L_{WA}): 101 dB (A)

Αβεβαιότητα (K): 3 dB (A)

Να φοράτε ωτοασπίδες.

Κραδασμοί

ENG208-4

Η συνολική τιμή κραδασμών (άθροισμα τριαξονικού διανύσματος) που έχει καθοριστεί σύμφωνα με την EN60745:

Κατάσταση λειτουργίας: επιφάνειες τροχίσματος

Εκπομπή κραδασμού ($a_{h,AG}$): 8,5 m/s²

Αβεβαιότητα (K): 1,5 m/s²

Η εργασία κοπής ή η χρήση συρματόβουρτσας ενδέχεται να έχουν διαφορετικές τιμές εκπομπής δόνησης.

Για το μοντέλο GA6020C

Για ευρωπαϊκές χώρες μόνο

Θόρυβος

ENG102-2

Το σύνθετο σταθμισμένο επίπεδο θορύβου που έχει καθοριστεί σύμφωνα με την EN60745:

Επίπεδο ηχητικής πίεσης (L_{pA}): 91 dB (A)

Επίπεδο ηχητικής ισχύος (L_{WA}): 102 dB (A)

Αβεβαιότητα (K): 3 dB (A)

Να φοράτε ωτοασπίδες.

Κραδασμοί

ENG208-4

Η συνολική τιμή κραδασμών (άθροισμα τριαξονικού διανύσματος) που έχει καθοριστεί σύμφωνα με την EN60745:

Κατάσταση λειτουργίας: επιφάνεια τροχίσματος

Εκπομπή κραδασμού ($a_{h,AG}$): 9,0 m/s²

Αβεβαιότητα (K): 1,5 m/s²

Η εργασία κοπής ή η χρήση συρματόβουρτσας ενδέχεται να έχουν διαφορετικές τιμές εκπομπής δόνησης.

Για το μοντέλο GA6021C

Για ευρωπαϊκές χώρες μόνο

Θόρυβος

ENG102-2

Το σύνθετο σταθμισμένο επίπεδο θορύβου που έχει καθοριστεί σύμφωνα με την EN60745:

Επίπεδο ηχητικής πίεσης (L_{pA}): 90 dB (A)

Επίπεδο ηχητικής ισχύος (L_{WA}): 101 dB (A)

Αβεβαιότητα (K): 3 dB (A)

Να φοράτε ωτοασπίδες.

Κραδασμοί

ENG208-4

Η συνολική τιμή κραδασμών (άθροισμα τριαξονικού διανύσματος) που έχει καθοριστεί σύμφωνα με την EN60745:

Κατάσταση λειτουργίας: επιφάνεια τροχίσματος

Εκπομπή κραδασμού ($a_{h,AG}$): 8,5 m/s²

Αβεβαιότητα (K): 1,5 m/s²

Η εργασία κοπής ή η χρήση συρματόβουρτσας ενδέχεται να έχουν διαφορετικές τιμές εκπομπής δόνησης.

EC Δήλωση Συμμόρφωσης

ENH101-12

Η Εταιρία Makita ως υπεύθυνος κατασκευαστής,

δηλώνει ότι το παρακάτω μηχάνημα ή μηχανήματα

της Makita:

Ονομασία Μηχανήματος: Γωνιακός τροχός

Αρ. Μοντέλου/ Τύπος: GA5020/C, GA5021/C, GA6020/C, GA6021/C

αποτελούν παραγωγή σε σειρά και

Συμμορφώνονται με τις ακόλουθες Ευρωπαϊκές

Οδηγίες:

98/37/ΕΚ έως στην 28η Δεκεμβρίου 2009 και

επακόλουθα με την 2006/42/ΕΚ από την 29η

Δεκεμβρίου 2009

Και κατασκευάζονται σύμφωνα με τα παρακάτω πρότυπα ή τυποποιημένα έγγραφα:

EN60745

Ο εξουσιοδοτημένος μας αντιπρόσωπος στην Ευρώπη

διατρείει τα τεχνικά έγγραφα, ο οποίος είναι:

Makita International Europe Ltd,

Michigan, Drive, Tongwell,

Milton Keynes, MK15 8JD, England

30η Ιανουαρίου 2009



Tomoyasu Kato

Διευθυντής

Makita Corporation
3-11-8, Sumiyoshi-cho,
Anjo, Aichi, JAPAN

Makita Corporation
Anjo, Aichi, Japan

884710F992