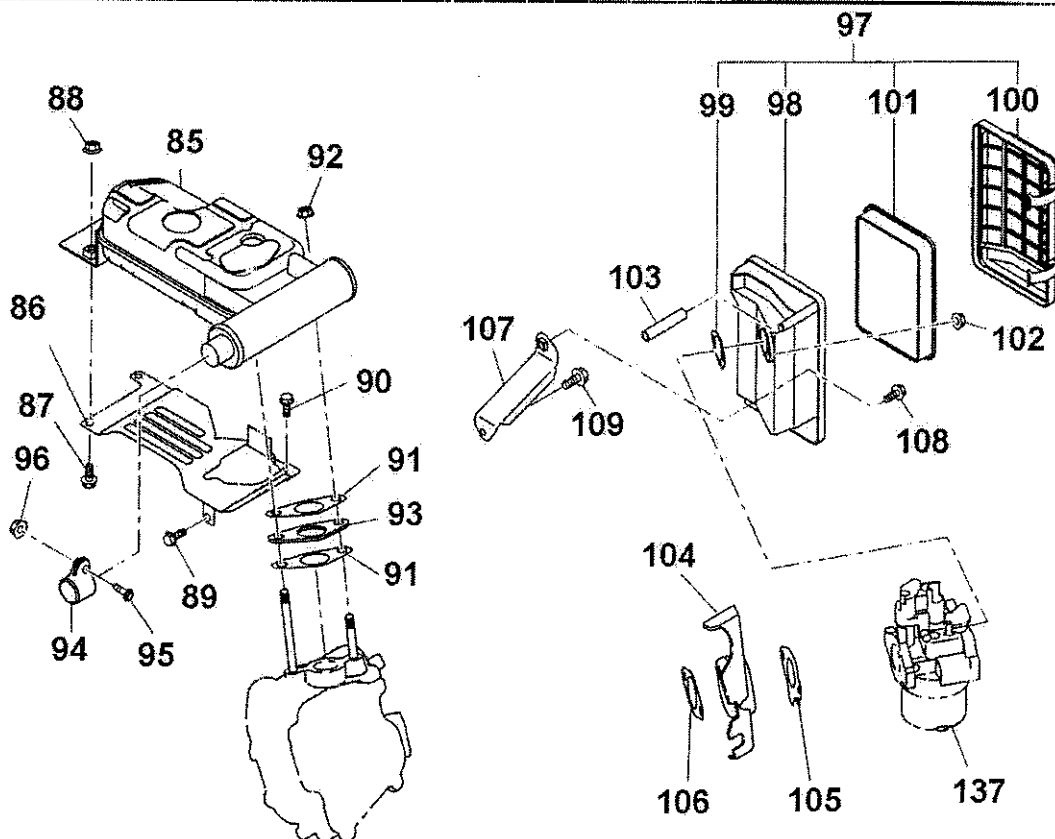
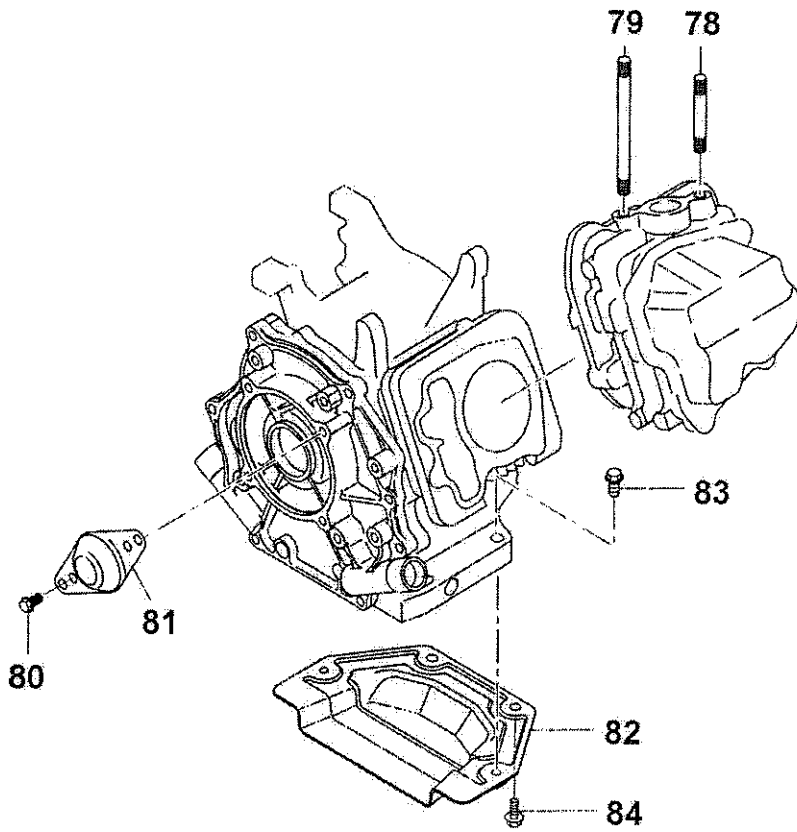
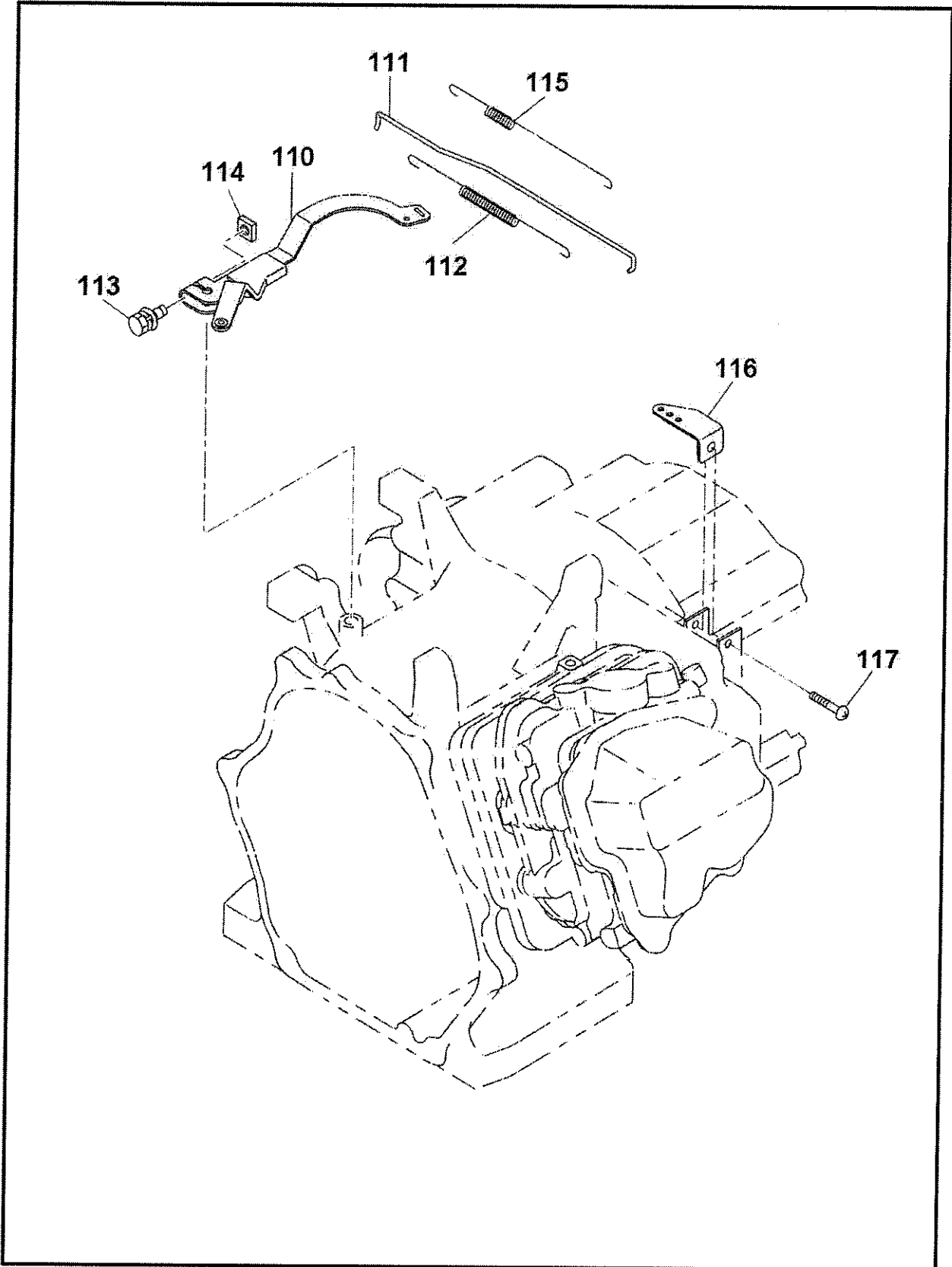
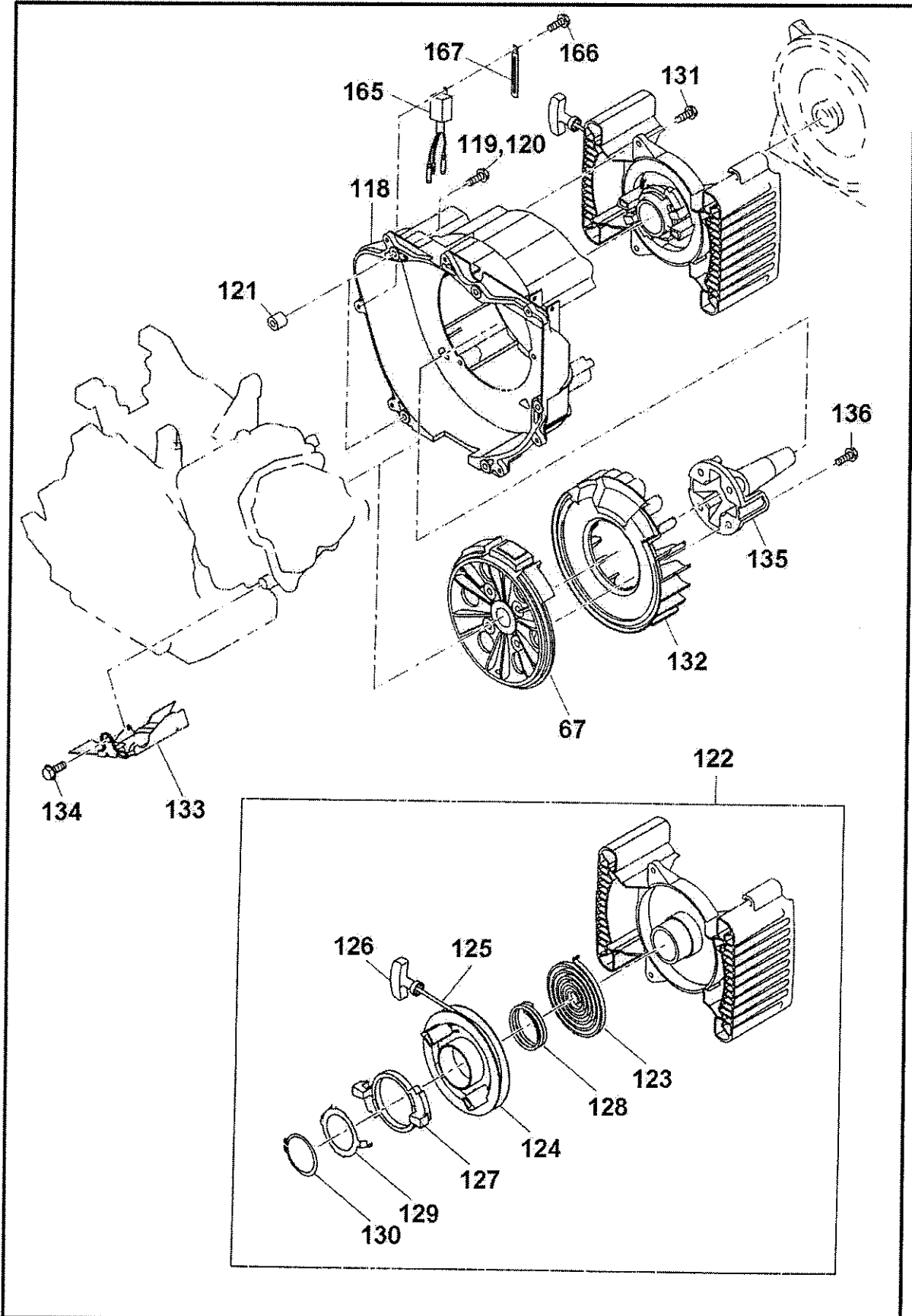
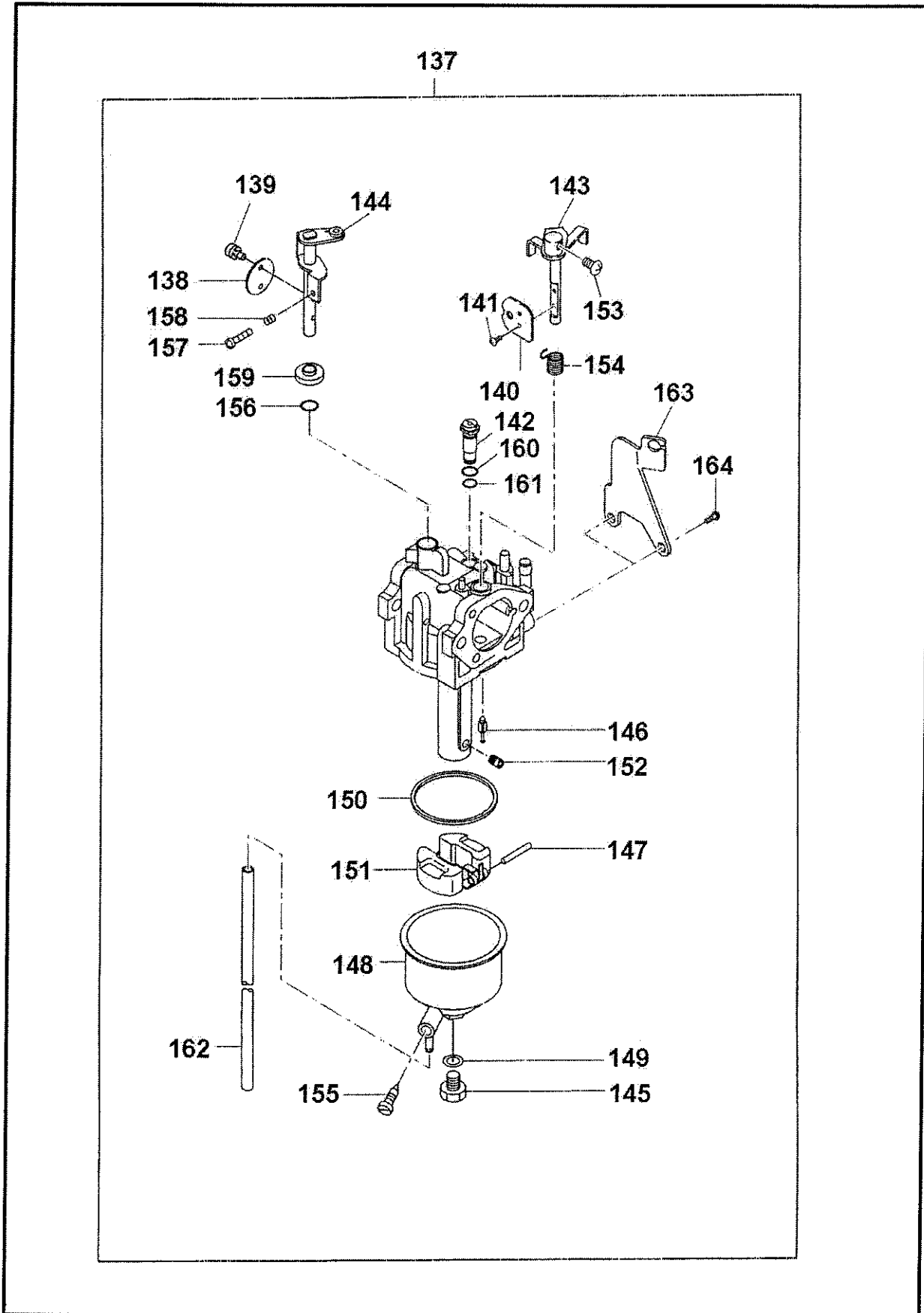


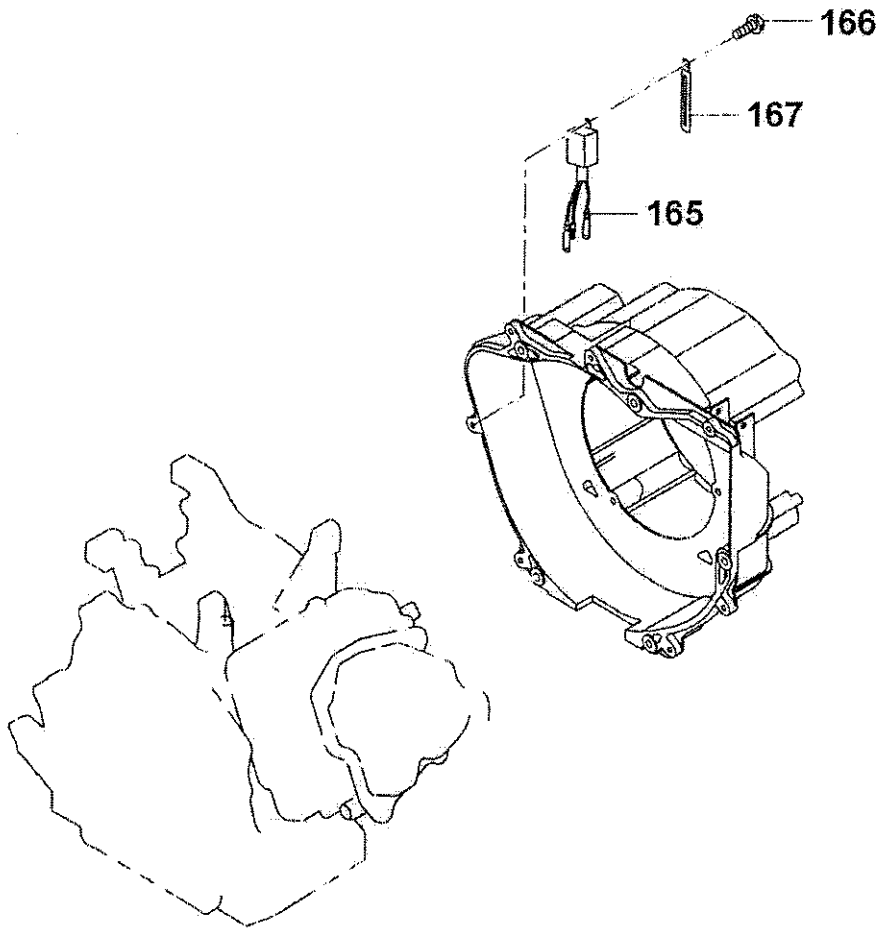
137 CARBURETOR ASS'Y

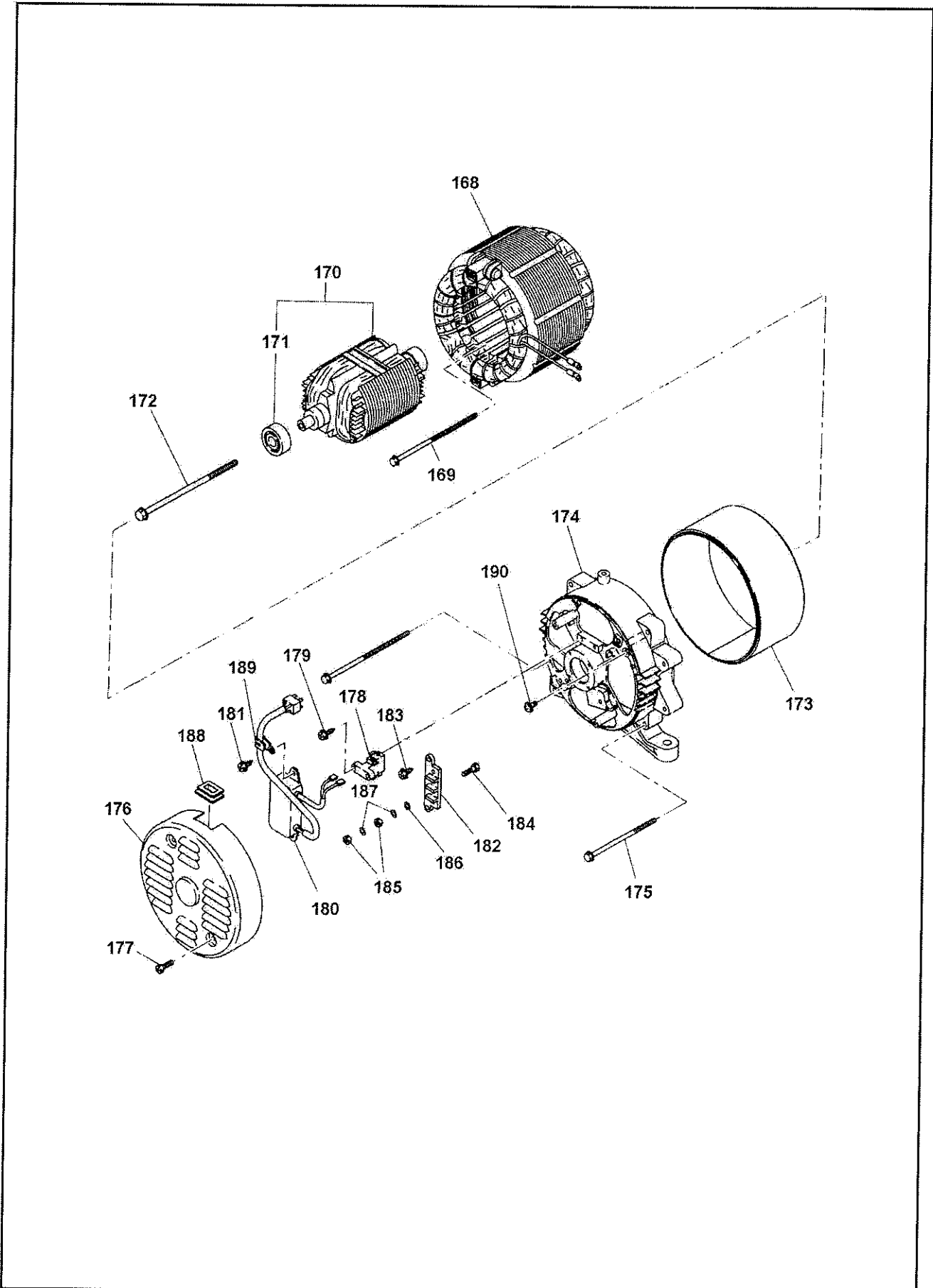






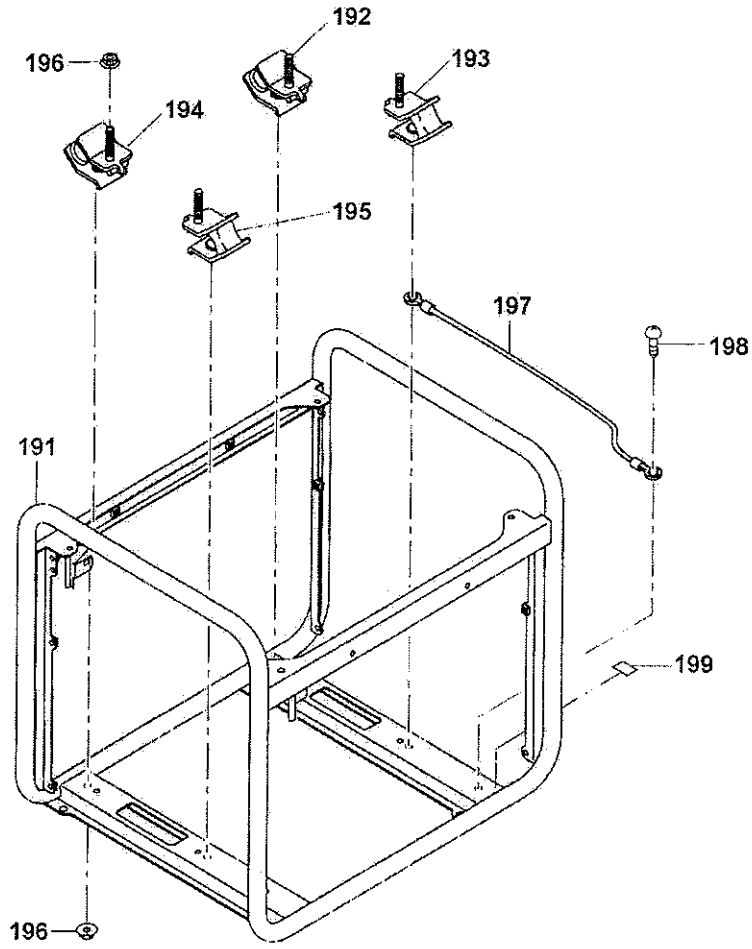






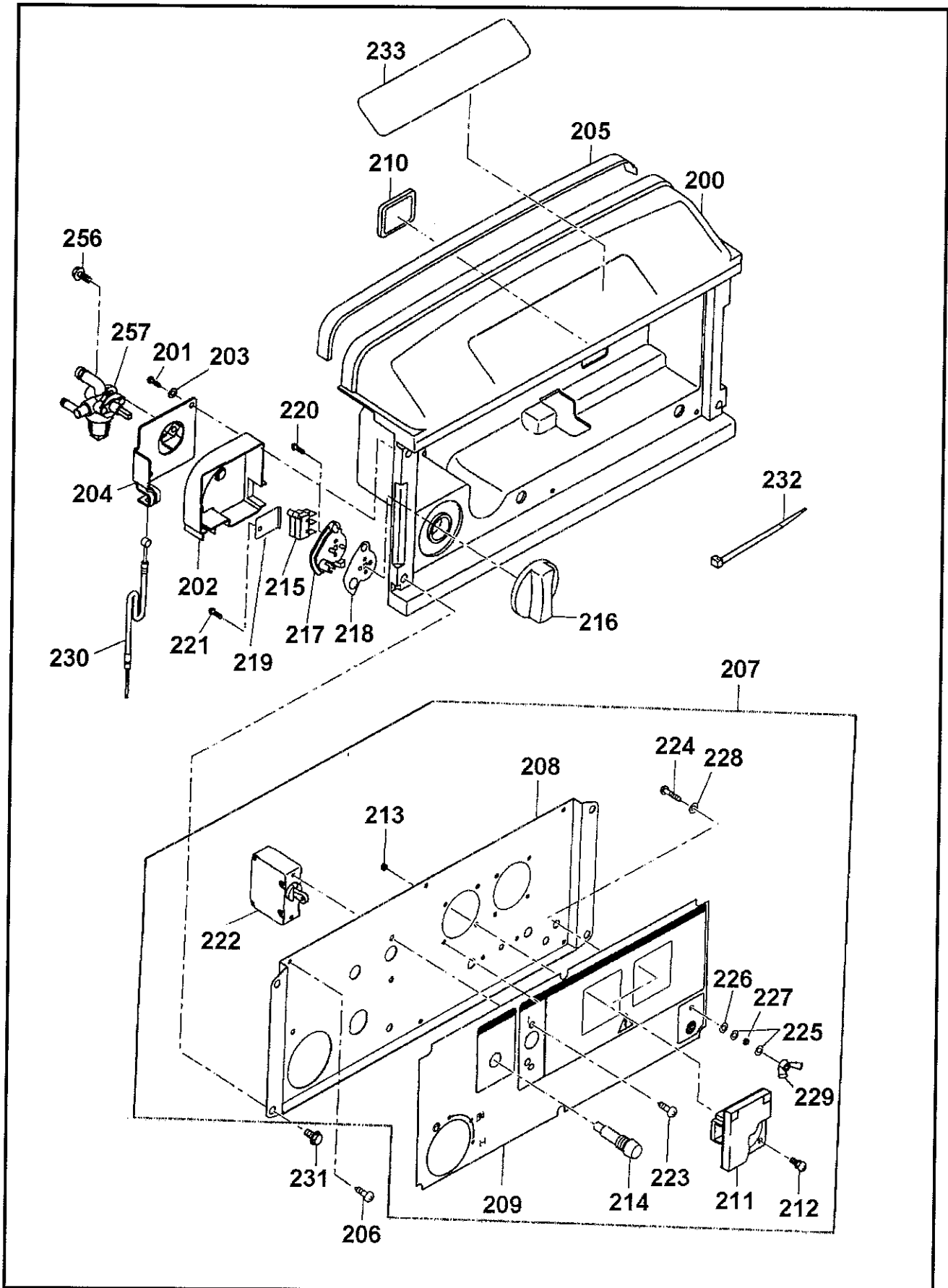


G4300L (DEA)



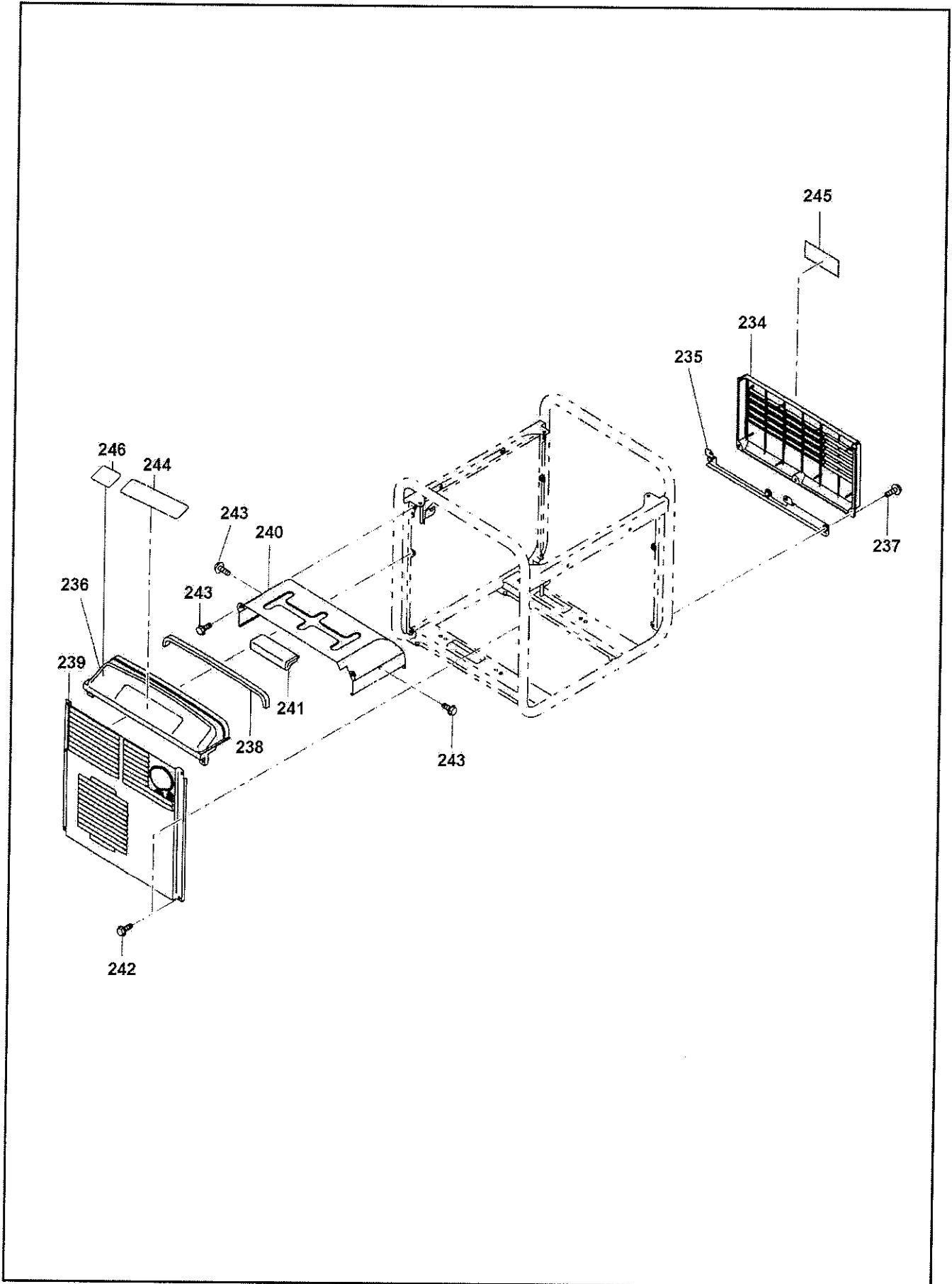


# G4300L (DEA)



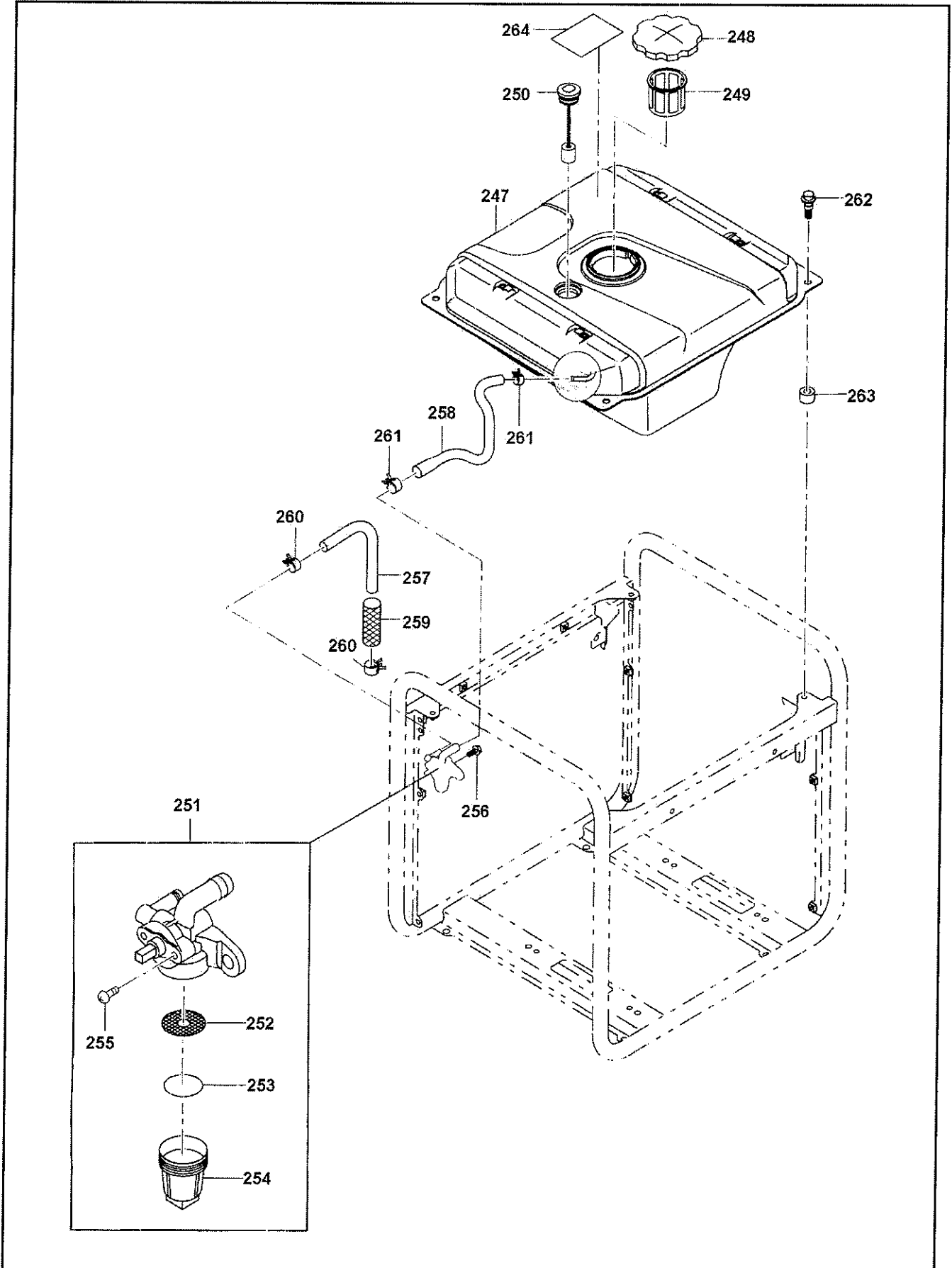


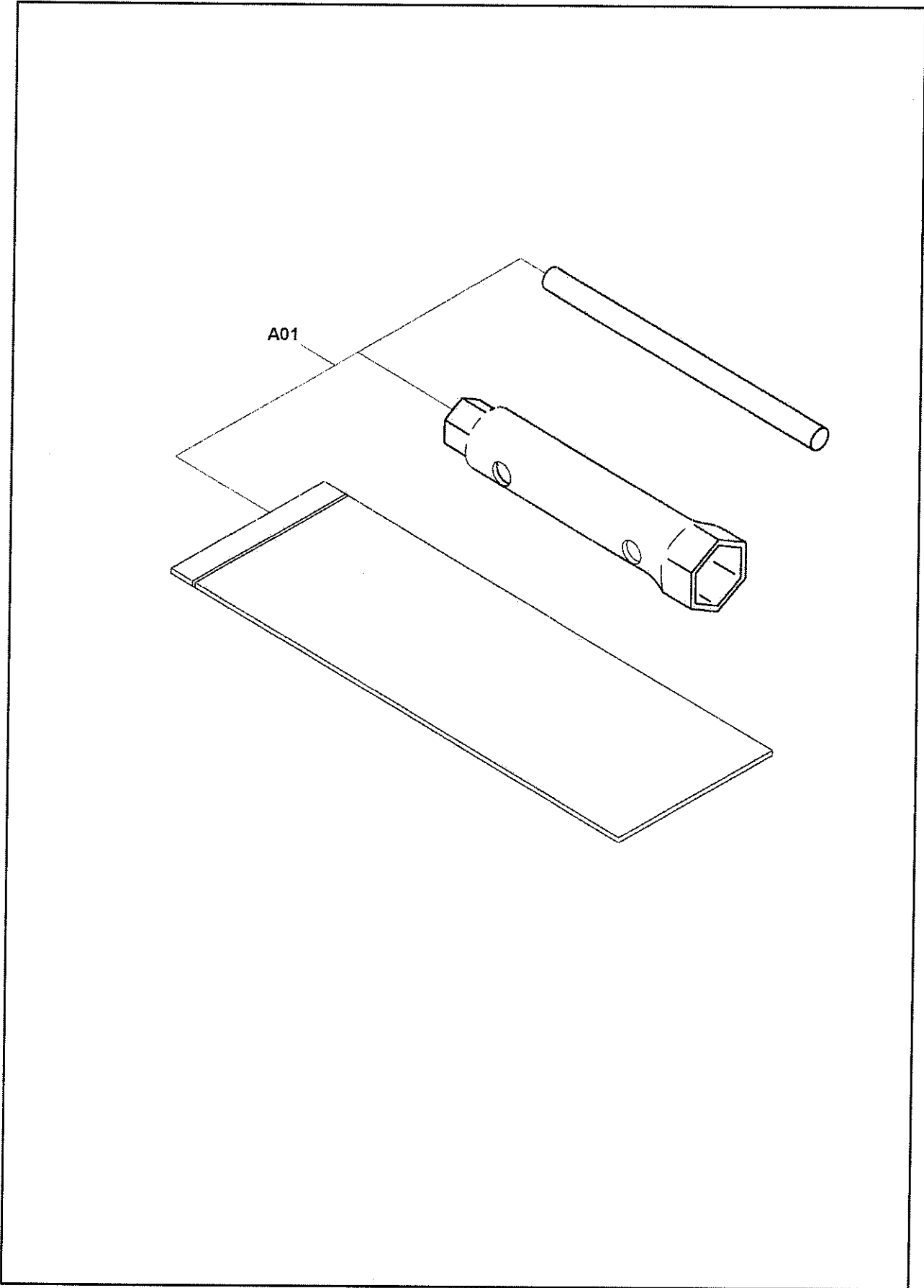
G 4300L (DEA)





# G4300L (DEA)





## G4300L

POS.NO	ITEM NO.	DESCRIPTION	PC/SET	QTY	USED QTY
1	2791010251	CRANK CASE COMPLETE	PC.	1	1
1	D10	INC. 4-6,8			
2	2371420203	VALVE GUIDE (OVERSIZE)	PC.	1	2
3	2771601001	STEM SEAL	PC.	1	1
4	0440300160	OIL SEAL 30DX45DX7B	PC.	1	1
5	0600300341	BALL BEARING 6206 30DX62DX16B	PC.	1	1
6	2771501103	PIPE KNOCK 10.3DX8.5DX14L	PC.	1	2
7	0105060410	STUD M6X1.0X107L	PC.	1	2
8	0440060020	OIL SEAL 6DX10DX2.5B	PC.	1	1
9	0401140030	PLUG	PC.	1	2
10	0211140020	GASKET	PC.	1	2
11	2791100121	MAIN BEARING COVER C	PC.	1	1
11	D10	INC.12,13			
12	0440300160	OIL SEAL 30DX45DX7B	PC.	1	1
13	0600300370	BALL BEARING 6206 30DX62DX16B	PC.	1	1
14	27745004H1	GOVERNOR GEAR COMPLETE	PC.	1	1
15	2774190103	GOVERNOR SLEEVE	PC.	1	1
16	2796360113	OIL GAUGE M22X1.5L=67.5+18	PC.	1	2
17	0213200050	GASKET	PC.	1	2
18	0010408350	FLANGE BOLT	PC.	1	7
19	2791300501	CYLINDER HEAD COMPLETE	PC.	1	1
19	D10	INC. 2,3,7,78,79			
20	2791500123	GASKET (HEAD)	PC.	1	1
21	0110080240	FLANGE BOLT M8X1.25X16DX68L	PC.	1	4
22	0110080310	FLANGE BOLT M8X33L	PC.	1	1
23	2771550101	LOCKER COVER COMPLETE	PC.	1	1
24	2771600103	GASKET(ROCKER COVER)T=0.7	PC.	1	1
25	2771501103	PIPE KNOCK 10.3DX8.5DX14L	PC.	1	2
26	0110060020	FLANGE BOLT M6X1.0X14DX12L	PC.	1	4
27	2799900117	GASKET SET	PC.	1	1
27	D10	INC. 10,17,20,24,91,105,106			
28	2792050101	CRANKSHAFT COMPLETE	PC.	1	1
29	0180180010	FLANGE NUT M18X15X31DX14H	PC.	1	1
30	0323030010	WOODRUFF KEY	PC.	1	1
31	2792250120	CONNECTING ROD ASSEMBLY	PC.	1	1
31	D10	INC. 32			
32	2792300103	CONNECTING ROD BOLT M7X1X13.8D	PC.	1	2
33	2792330103	PISTON PIN 18DX13DX53L	PC.	1	1
34	2792340103	PISTON STD(75DX43H)	PC.	1	1
034A	2792340303	PISUTON 0.25 OVER SIZ(75DX43H)	PC.	1	1
034B	2792340403	PISUTON 0.25 OVER SIZ(75DX43H)	PC.	1	1
35	2792351117	PISTON RING SET STANDARD OIL	PC.	1	1
035A	2792351217	PISTON RINGU SET 0.25 OVER SIZ	PC.	1	1
035B	2792351317	PISTON RINGU SET 0.25 OVER SIZ	PC.	1	1
36	0565180010	CLIP	PC.	1	2
37	2793160211	CAM SHAFT COMPLETE	PC.	1	1
37	D10	INC. 40-43			
38	2773510103	PIN(CAM SHAFT)9DX78.5L	PC.	1	1
39	0240060010	O RING 5.8DX9.6D	PC.	1	1
40	2773860103	PIN(SPRING) 4DX8DX9L	PC.	1	1
41	2793640103	RELEASE LEVER	PC.	1	1
42	2773650103	CLIP 13.8DX20.3DX4T	PC.	1	1
43	2793870113	RETURN SPRING	PC.	1	1
44	2793360103	VALVE SPING	PC.	1	2
45	2693370103	SPRING RETAINER	PC.	1	2
46	2793340113	INTAKE VALVE 28.5DX5.5DX67.8L	PC.	1	1
47	2793350113	EXHAUST VALVE 26.5DX5.5DX67.8L	PC.	1	1
48	13210KA031	COLLET VALVE	PC.	1	4
49	2793560111	TIMING CHAIN COMPLETE	PC.	1	1
50	2773691103	TENSIONER	PC.	1	1
51	2773710103	SPRING(TENSIONER)	PC.	1	1
52	2773690203	PIN(TENSIONER) 6DX13DX34L	PC.	1	1

## G4300L

POS.NO	ITEM NO.	DESCRIPTION	PC./SET	QTY	USED QTY
53	2773691313	CHAIN GUIDE	PC.	1	1
54	2773500201	PIN(ROCKER) COMPLETE	PC.	1	1
54	D10	INC. 55			
55	0031305000	CLIP	PC.	1	1
56	2773620100	LOCKER ARM(INTAKE) ASSY	PC.	1	1
56	D10	INC. 58,60			
57	2773620200	ROCKER ARM(EXHAUST)ASSY	PC.	1	1
57	D10	INC. 59,61			
58	0149050020	ADJUST SCREW M5	PC.	1	1
59	0149050020	ADJUST SCREW M5	PC.	1	1
60	0170050030	NUT M5	PC.	1	1
61	0170050030	NUT M5	PC.	1	1
62	0110060020	FLANGE BOLT M6X1.0X14DX12L	PC.	1	1
63	2774220133	GOVERNOR SHAFT	PC.	1	1
64	0031305000	CLIP	PC.	1	1
65	2795271111	BAFFLE 1 (CASE) COMPLETE	PC.	1	1
66	0016508120	BOLT	PC.	1	1
67	2797926201	FLYWHEEL COMPLETE	PC.	1	1
68	2797943001	IGNITION COIL COMPLETE	PC.	1	1
69	0011406250	BOLT & WASHER ASSY	PC.	1	2
70	27773102H1	WIRE 2 COMPLETE	PC.	1	1
71	0650140150	SPARK PLUG (BR6HS)	PC.	1	1
72	0655000270	SPARK PLUG CAP	PC.	1	1
73	2797630131	OIL SENSOR COMPLETE	PC.	1	1
74	0011406160	BOLT & WASHER ASSY	PC.	1	1
75	0130060260	BOLT AND WASHER ASSEMBLY	PC.	1	1
76	2797550103	WIRE CLAMP	PC.	1	1
77	0152060050	TAPPING BOLT	PC.	1	1
78	0105080290	MUFFLER STUD	PC.	1	1
79	0105080440	STUD M8X120L	PC.	1	1
80	0110080150	FLANGE BOLT M8X12L	PC.	1	2
81	2778700103	COVER(CRANKSHAFT)	PC.	1	1
82	33D3500101	BOTTOM EXT. PLATE COMPLETE	PC.	1	1
83	0110080270	FLANGE BOLT M8X33L	PC.	1	2
84	0110080150	FLANGE BOLT M8X12L	PC.	1	2
85	2793040121	MUFFLER COMPLETE	PC.	1	1
86	33D5260103	BAFFLE	PC.	1	1
87	0110080270	FLANGE BOLT M8X33L	PC.	1	2
88	0023808000	FLANGE NUT	PC.	1	2
89	0110080320	FLANGE BOLT	PC.	1	1
90	0110060010	FLANGE BOLT M6X1.0X14DX8L	PC.	1	1
91	2773520113	GASKET(MUFFLER)	PC.	1	2
92	9802008280	FLANGE NUT M8	PC.	1	2
93	2793920103	FLANGE	PC.	1	1
94	2773721000	TAIL SCREEN COMPLETE	PC.	1	1
95	0043505160	SCREW ASSY	PC.	1	1
96	0021805000	NUT M5	PC.	1	1
97	2793262200	AIR CLEANER ASSEMBLY	PC.	1	1
97	D10	INC. 98-101			
98	2793263508	CLEANER BODY COMPLETE	PC.	1	1
99	2793265008	GASKET	PC.	1	1
100	2793264608	COVER COMPLETE	PC.	1	1
101	2793261208	FILTER	PC.	1	1
102	0023806000	FLANGE NUT M6	PC.	1	2
103	0851080000	RUBBER PIPE 1M	PC.	1	1
104	27932902H3	INSULATOR	PC.	1	1
105	27935902H3	GASKET1(INSULATOR)	PC.	1	1
106	27935903H3	GASKET2(INSULATOR)	PC.	1	1
107	2793900401	BRACKET (A/C) COMPLETE	PC.	1	1
108	0110060150	FLANGE BOLT	PC.	1	1
109	0110060050	FLANGE BOLT	PC.	1	1
110	2794230123	GOVERNOR LEVER	PC.	1	1

## G4300L

POS.NO	ITEM NO.	DESCRIPTION	PC./SET	QTY	USED QTY
111	2794270101	GOVERNOR ROD COMPLETE	PC.	1	1
112	2774280113	ROD SPRING 7DX.5DX182L N=16	PC.	1	1
113	0130060240	BOLT AND WASHER ASS'Y	PC.	1	1
114	0186060020	NUT M6X1.0X4.9H	PC.	1	1
115	2774252503	GOVERNOR SPRING	PC.	1	1
116	2774800101	PLATE COMPLETE (S.ADJUST)	PC.	1	1
117	0043105550	SCREW M5X55	PC.	1	1
118	2795200113	BLOWER HOUSING	PC.	1	1
119	0011406300	BOLT AND WASHER ASS'Y	PC.	1	1
120	0011406600	BOLT AND WASHER ASSEMBLY	PC.	1	4
121	9804008110	STR PIN 8X10	PC.	1	2
122	2775040100	RECOIL STARTER ASSY	PC.	1	1
122	D10	INC. 123-130			
123	2775040208	SPIRAL SPRING	PC.	1	1
124	2775040308	REEL	PC.	1	1
125	2775040808	STARTER ROPE	PC.	1	1
126	2775040908	STARTER KNOB	PC.	1	1
127	2775040408	RACHET	PC.	1	1
128	2775040508	FRICTION SPRING	PC.	1	1
129	2775040708	FRICTION PLATE	PC.	1	1
130	2775040608	RETAINING RING	PC.	1	1
131	0110060140	FLANGE BOLT M6X18L	PC.	1	3
132	2795411003	COOLING BLOWER	PC.	1	1
133	2795270213	BAFFLE2(HEAD)	PC.	1	1
134	0110060020	FLANGE BOLT M6X1.0X14DX12L	PC.	1	1
135	2772440103	DRIVING SHAFT	PC.	1	1
136	0110100110	FLANGE BOLT M8X27L	PC.	1	4
137	2796233100	CARBURETOR ASSEMBLY	PC.	1	1
137	D10	INC. 138-164			
138	2796253508	THROTTLE VALVE	PC.	1	1
139	2516245008	SCREW	PC.	1	2
140	2796252608	VALVE CHOKE	PC.	1	1
141	2516245008	SCREW	PC.	1	2
142	2796242008	JET SLOW	PC.	1	1
143	2796252108	CHOKE LEVER	PC.	1	1
144	2796253008	SHAFT SUB ASSEMBLY(THROTTLE)	PC.	1	1
145	2516245308	SCREW	PC.	1	1
146	2796250008	VALVE ASSEMBLY,NEEDLE	PC.	1	1
147	2796251508	PIN FLOAT LEVER	PC.	1	1
148	2796255308	FLOAT BODY	PC.	1	1
149	2516235008	GASKET	PC.	1	1
150	2796254008	GASKET CHAMBER	PC.	1	1
151	2796250508	FLOAT SUB ASSEMBLY	PC.	1	1
152	2796240008	JET MAIN	PC.	1	1
153	2846245608	SCREW	PC.	1	1
154	2796244708	SPRING(CHOKE)	PC.	1	1
155	2796258108	SCREW	PC.	1	1
156	2796256108	BUSH	PC.	1	1
157	2796235318	SCREW ADJUSTING	PC.	1	1
158	2796244508	SPRING	PC.	1	1
159	2796256208	COLLAR	PC.	1	1
160	2796245208	O-RING	PC.	1	1
161	2796245108	O-RING	PC.	1	1
162	2796259008	VINYL PIPE	PC.	1	1
163	2796257608	BRACKET	PC.	1	1
164	2796258008	SCREW	PC.	1	2
165	KU31104311	FLOAT C/U CP3	PC.	1	1
166	0110060020	FLANGE BOLT M6X1.0X14DX12L	PC.	1	1
167	0566000250	CLAMP	PC.	1	1
168	33D2175201	STATOR ASSEMBLY	PC.	1	1
169	33C2105208	BOLT M5X135L	PC.	1	2
170	33D2116101	ROTOR	PC.	1	1

## G4300L

POS.NO	ITEM NO.	DESCRIPTION	PC/SET	QTY	USED QTY
170	D10	INC. 171			
171	32D2100108	BALL BEARING	PC.	1	1
172	33D2105308	ROTOR BOLT M10X185L	PC.	1	1
173	33D2306101	STATOR COVER	PC.	1	1
174	32D2307101	REAR COVER	PC.	1	1
175	33D2105108	STATOR BOLT M6X115L	PC.	1	4
176	33B2305101	END COVER	PC.	1	1
177	33B2105208	BOLT M5X10L	PC.	1	2
178	32D2310101	BRUSH COMPLETE	PC.	1	1
179	32D2106208	SCREW M5X18L	PC.	1	1
180	33B2300100	AVR ASSEMBLY	PC.	1	1
181	32D2105508	SCREW M5X14L	PC.	1	2
182	32D2105208	BASE	PC.	1	1
183	32D2105508	SCREW M5X14L	PC.	1	2
184	32D2106108	BOLT	PC.	1	2
185	32D2105108	NUT M5	PC.	1	4
186	32D2105308	WASHER	PC.	1	2
187	32D2105408	SPRING WASHER	PC.	1	4
188	32B4500203	GROMMET	PC.	1	1
189	32D2106008	CLAMP	PC.	1	1
190	32D2106308	SCREW M5X12L	PC.	1	1
191	33D3000111	FRAME COMPLETE	PC.	1	1
192	32B3021301	MOUNT COMPLETE(R)	PC.	1	1
193	32B3021401	MOUNT COMPLETE(L)	PC.	1	1
194	32B3020301	MOUNT COMPLETE(R) 35L	PC.	1	1
195	32B3020401	MOUNT COMPLETE (L) 35L	PC.	1	1
196	0023808000	FLANGE NUT	PC.	1	8
197	33B4809101	EARTH WIRE COMPLETE	PC.	1	1
198	0140060121	SCREW	PC.	1	1
199	0732002651	LABEL(EARTH)	PC.	1	1
200	33B5000201	FRONT COVER (UPPER) COMPLETE	PC.	1	1
201	0150040070	TAPPING SCREW	PC.	1	2
202	33B4600103	COVER (COCK)	PC.	1	1
203	0031004000	WASHER	PC.	1	2
204	33B4601201	BRACKET (COCK)	PC.	1	1
205	34B5731103	SEAL SPONGE FC2	PC.	1	1
206	3534990408	TAPPING SCREW(M4X10MM)	PC.	1	1
207	33D4374410	CONTRPL PANEL ASSEMBLY	PC.	1	1
207	D10	INC. 208,209,211,214,222-229			
208	33B4510901	PANEL PLATE COMPLETE	PC.	1	1
209	33B4926503	SHEET (PANEL AR) 15	PC.	1	1
211	3584062108	AC RECEPTACLE F/GERMAN TYPE	PC.	1	2
212	0043603120	SCREW & WASHER ASSY	PC.	1	8
213	0021703000	NUT(M5)	PC.	1	8
214	3934066608	NEON LAMP(GREEN)	PC.	1	1
215	33K4181103	MICRO SWITCH	PC.	1	2
216	33K4201003	CONTROL DIAL	PC.	1	1
217	33K4202003	CHOKE REEL	PC.	1	1
218	33K4203013	PLATE	PC.	1	1
219	33B4601501	BRACKET	PC.	1	1
220	33K4181408	TAPPING SCREW M3X16L	PC.	1	2
221	0150040070	TAPPING SCREW	PC.	1	1
222	32B4315401	CIRCUIT BREAKER AC250V-11A	PC.	1	1
223	31B7901103	SCREW AND WASHER ASSY	PC.	1	2
224	3888800103	SCREW M5X18	PC.	1	1
225	3320005008	SPRING WASHER	PC.	1	2
226	3534990308	WASHER	PC.	1	1
227	3534990208	NUT	PC.	1	1
228	0033005000	LOCK WASHER	PC.	1	1
229	3534990108	WING NUT	PC.	1	1
230	33B4602101	CHOKE WIRE COMPLETE	PC.	1	1
231	0140060190	SCREW	PC.	1	4

## G4300L

POS. NO	ITEM NO.	DESCRIPTION	PC/SET	QTY	USED QTY
232	0563000020	WIRE BAND	PC.	1	5
233	33D9001113	LABEL (TRADE MARK)	PC.	1	1
234	33B5010101	FRONT COVER (LOWER) COMPLETE	PC.	1	1
235	33B3550101	BRACKET (COVER) COMPLETE	PC.	1	1
236	33B5050101	REAR COVER (UPPER)	PC.	1	1
237	0110060180	FLANGE BOLT M6X1.0X14DX18L	PC.	1	3
238	34B5731103	SEAL SPONGE FC2	PC.	1	1
239	33B5620101	MUFFKER COVER COMPLETE	PC.	1	1
240	33D5605101	MUFFLER COVER (L) COMPLETE	PC.	1	1
241	33B5700503	SEAL RUBBER	PC.	1	1
242	0110060180	FLANGE BOLT M6X1.0X14DX18L	PC.	1	4
243	0110060080	FLANGE BOLT M6X12L	PC.	1	4
244	33B9713213	LABEL (TRADE MARK-RC)	PC.	1	1
245	33D9515613	LABEL(SPEC)	PC.	1	1
246	0732005410	LABEL(96DB)	PC.	1	1
247	33D6010211	FUEL TANK COMPLETE	PC.	1	1
248	0430590011	FUEL TANK CAP, COMPLETE	PC.	1	1
249	0641540011	FUEL FILTER	PC.	1	1
250	0648001500	FUEL GAUGE COMPLETE	PC.	1	1
251	0642010300	FUEL STRAINER ASSY	PC.	1	1
251	D10	INC. 252-255			
252	0642009320	FILTER	PC.	1	1
253	0642006410	RUBBER PACKING	PC.	1	1
254	0642007810	CUP	PC.	1	1
255	0642004790	PAN HEAD SCREW M3X8	PC.	1	2
256	0110060020	FLANGE BOLT M6X1.0X14DX12L	PC.	1	1
257	0851060000	RUBBER PIPE 6X12X160	PC.	1	1
258	0851070040	RUBBER PIPE TANK-COCK	PC.	1	1
259	2511730203	MESH PROTECTOR	PC.	1	1
260	0561110020	HOSE CLAMP 11D	PC.	1	2
261	0561130010	HOSE CLAMP 13D	PC.	1	2
262	0110060220	FLANGE BOLT	PC.	1	4
263	3913900013	RUBBER (TANK)	PC.	1	4
264	33B9710213	LABEL (CAUTION)	PC.	1	1
A01	27790301H0	ACCESSORY TOOL KIT	PC.	1	1