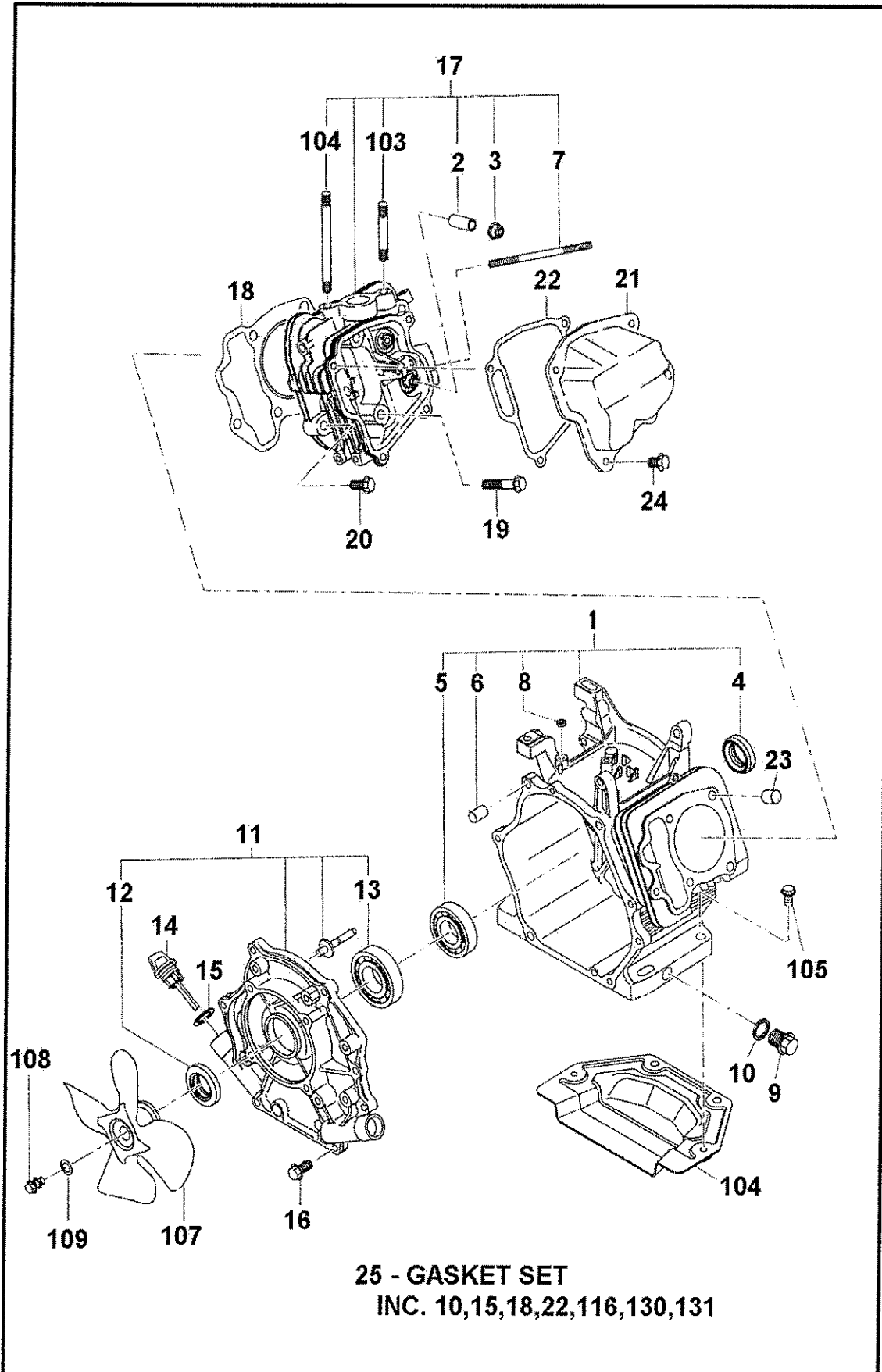


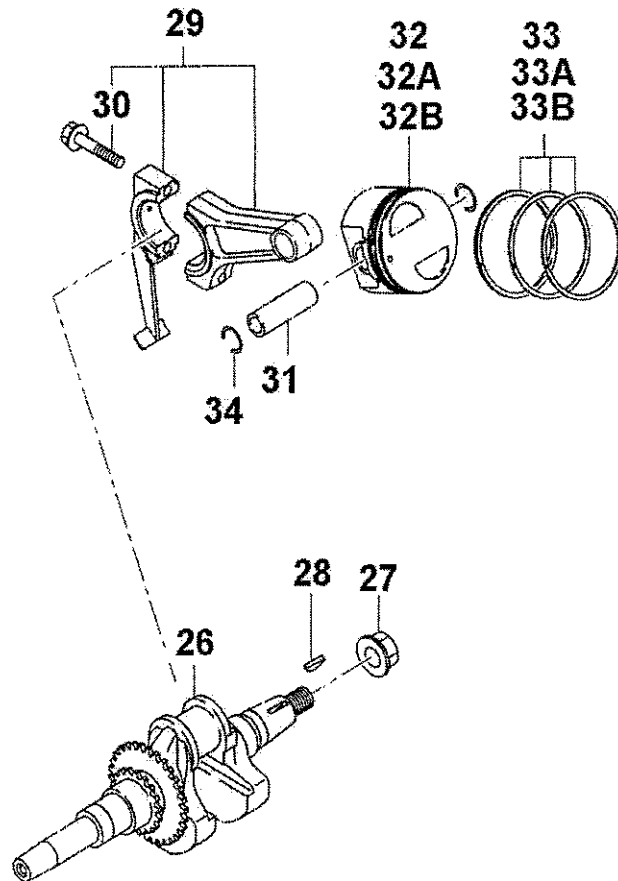


G4300IS(DEA)



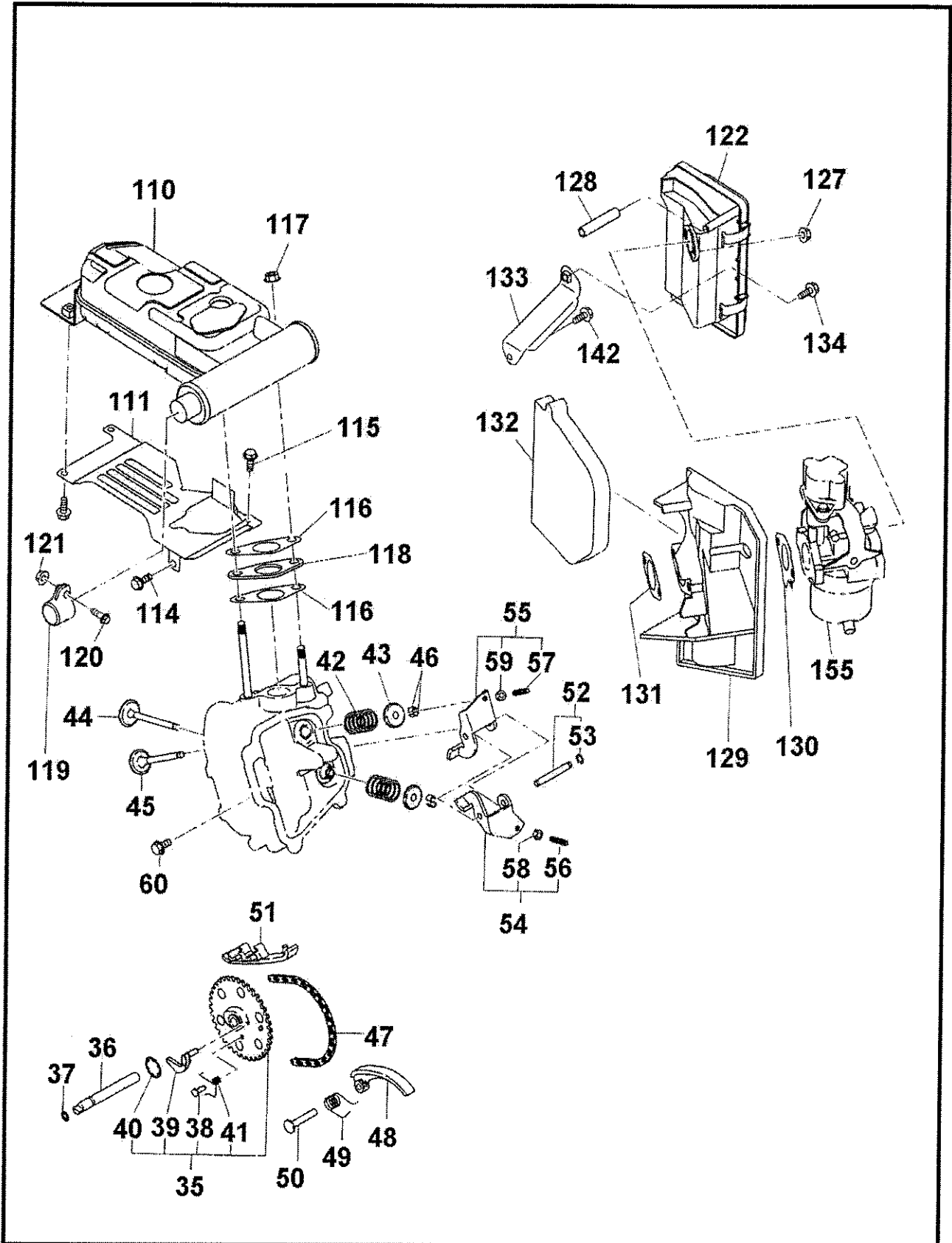


G4300IS(DAE)



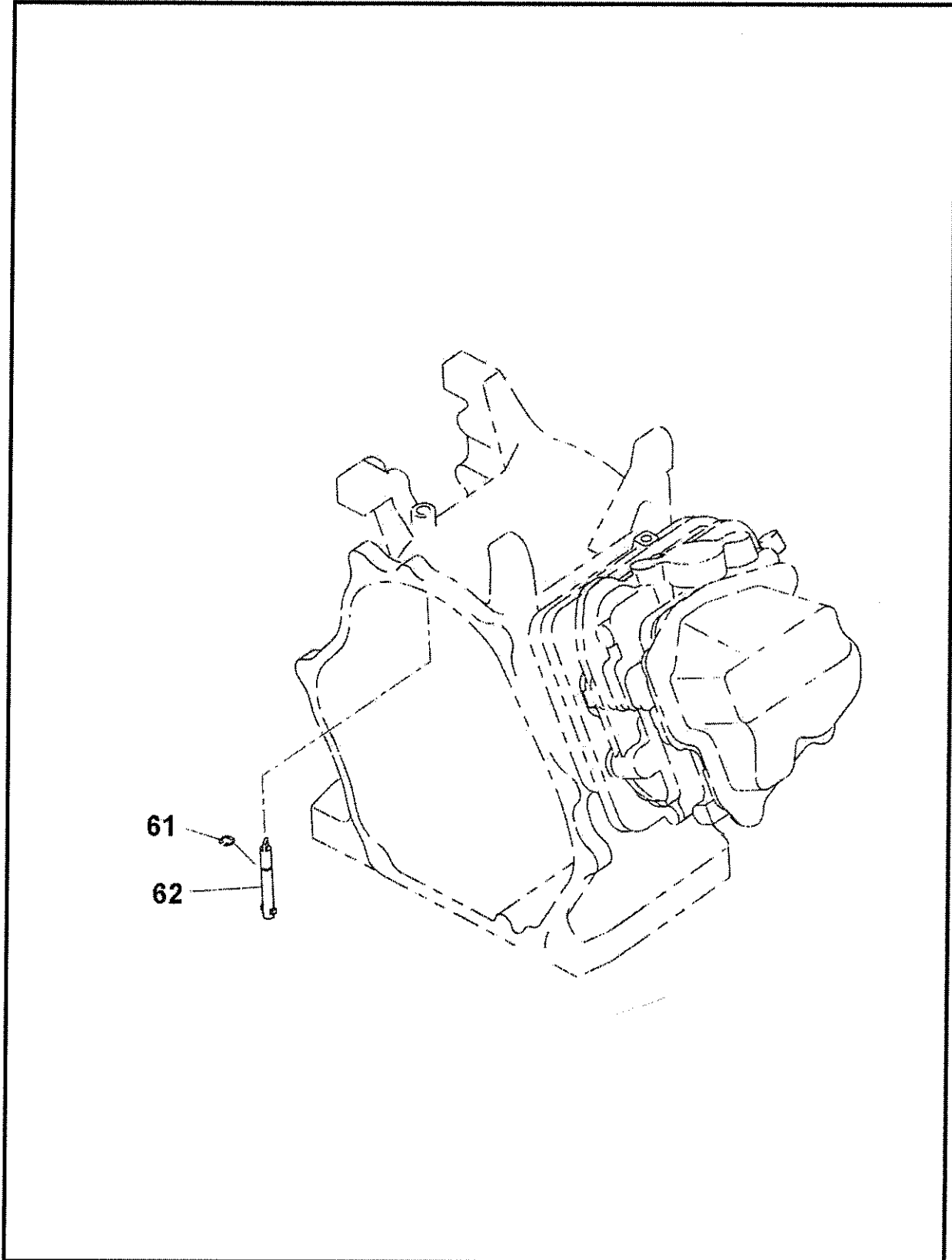


G4300IS(DEA)



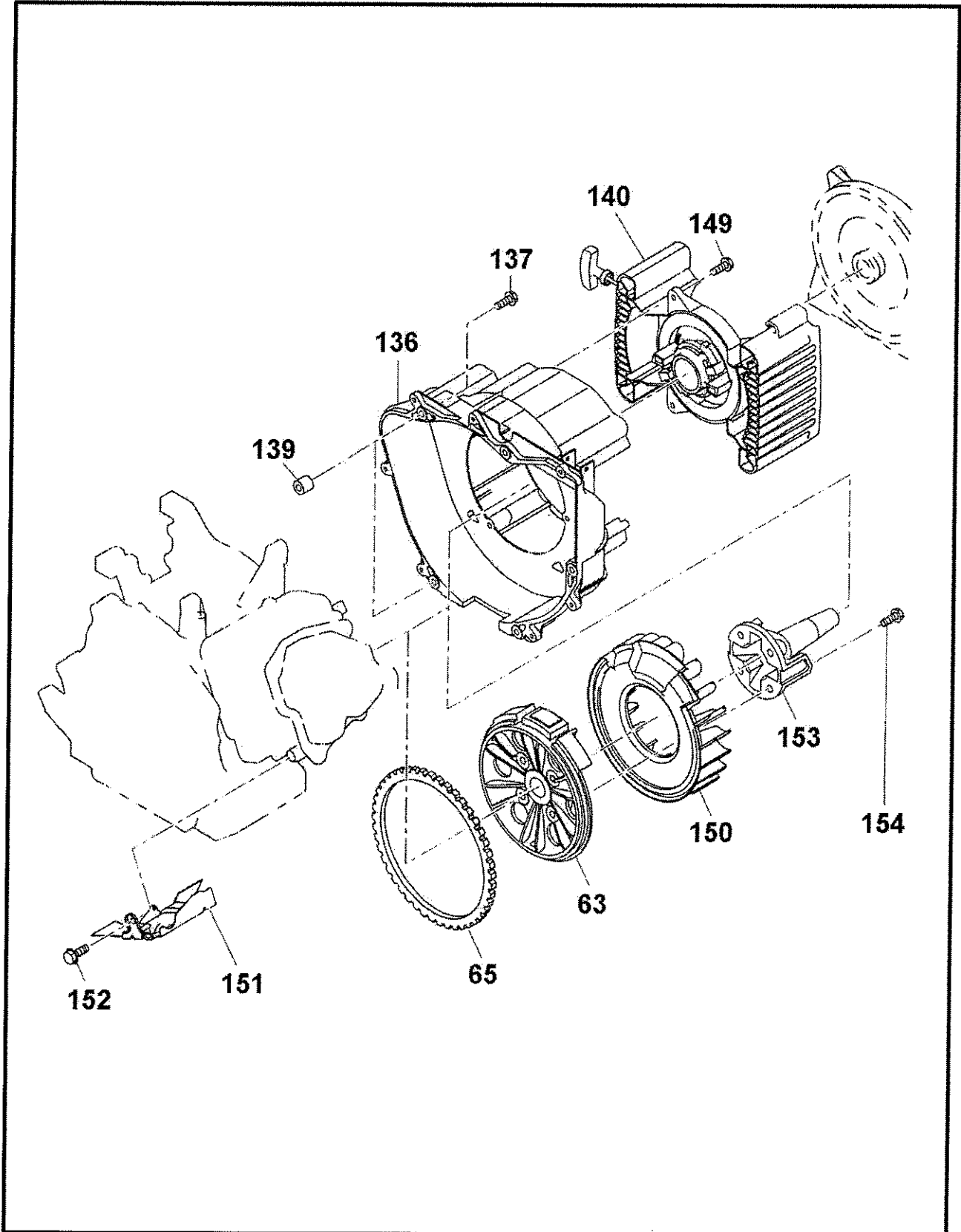


G4300IS(DEA)



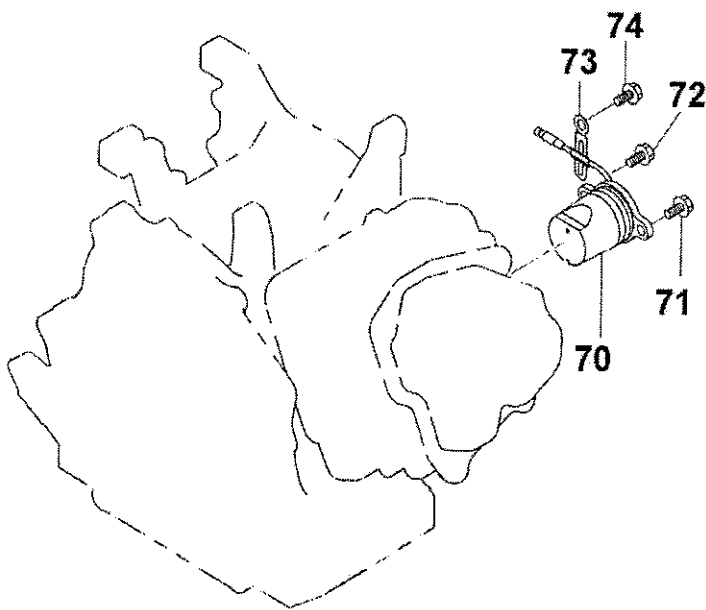
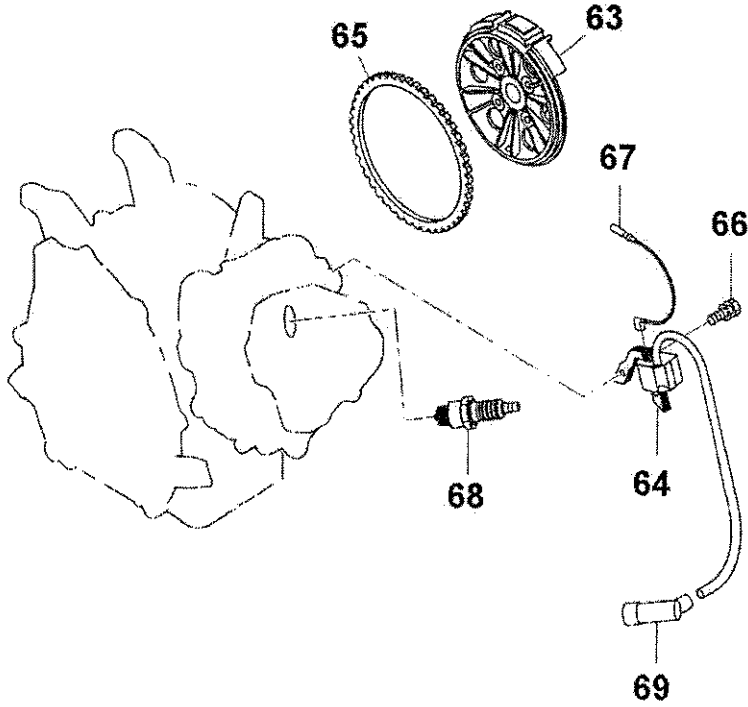


G4300IS(DEA)





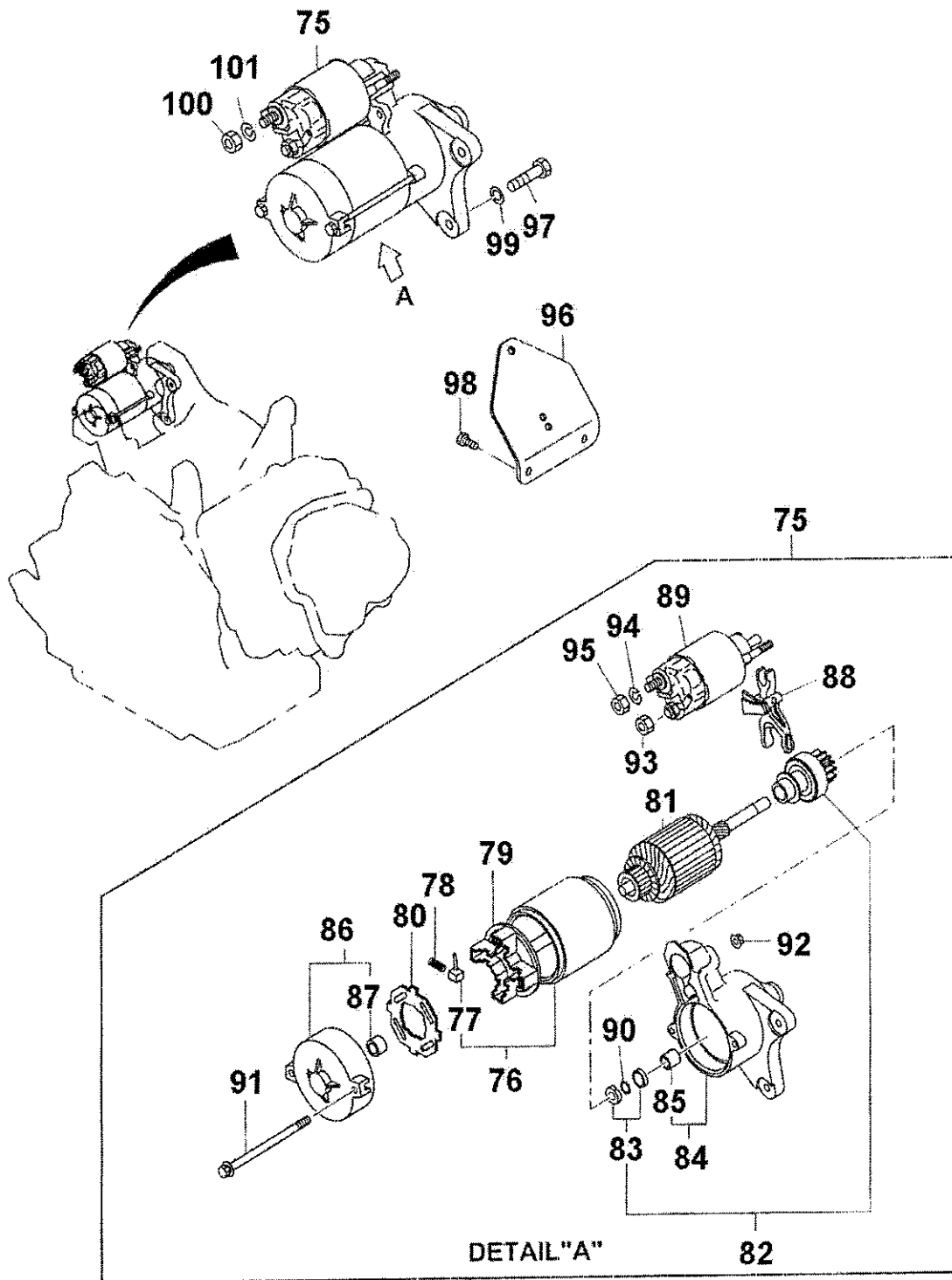
G4300IS(DEA)



155 - CARBURETOR ASS'Y

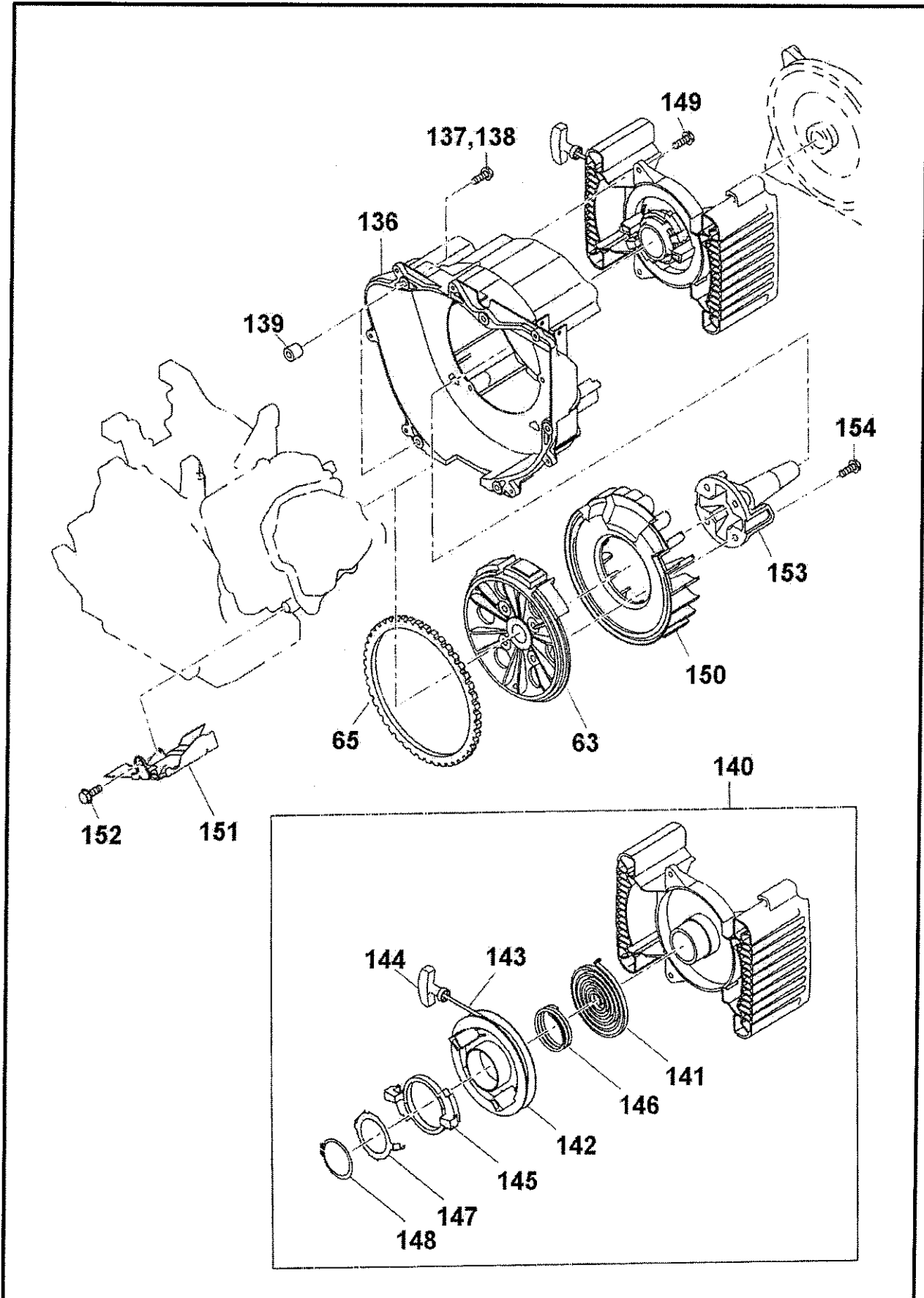


G4300IS(DEA)



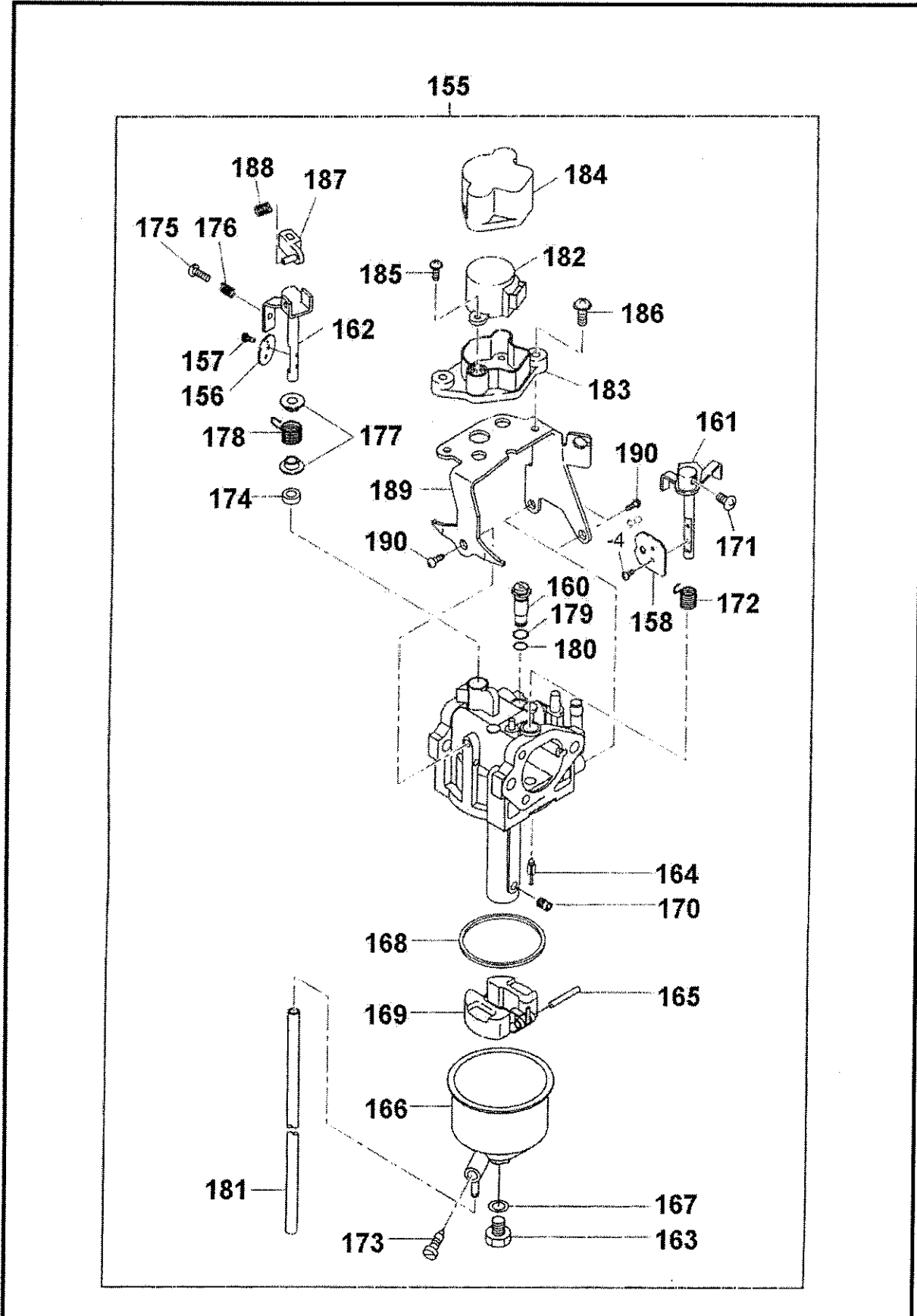


G4300IS(DEA)



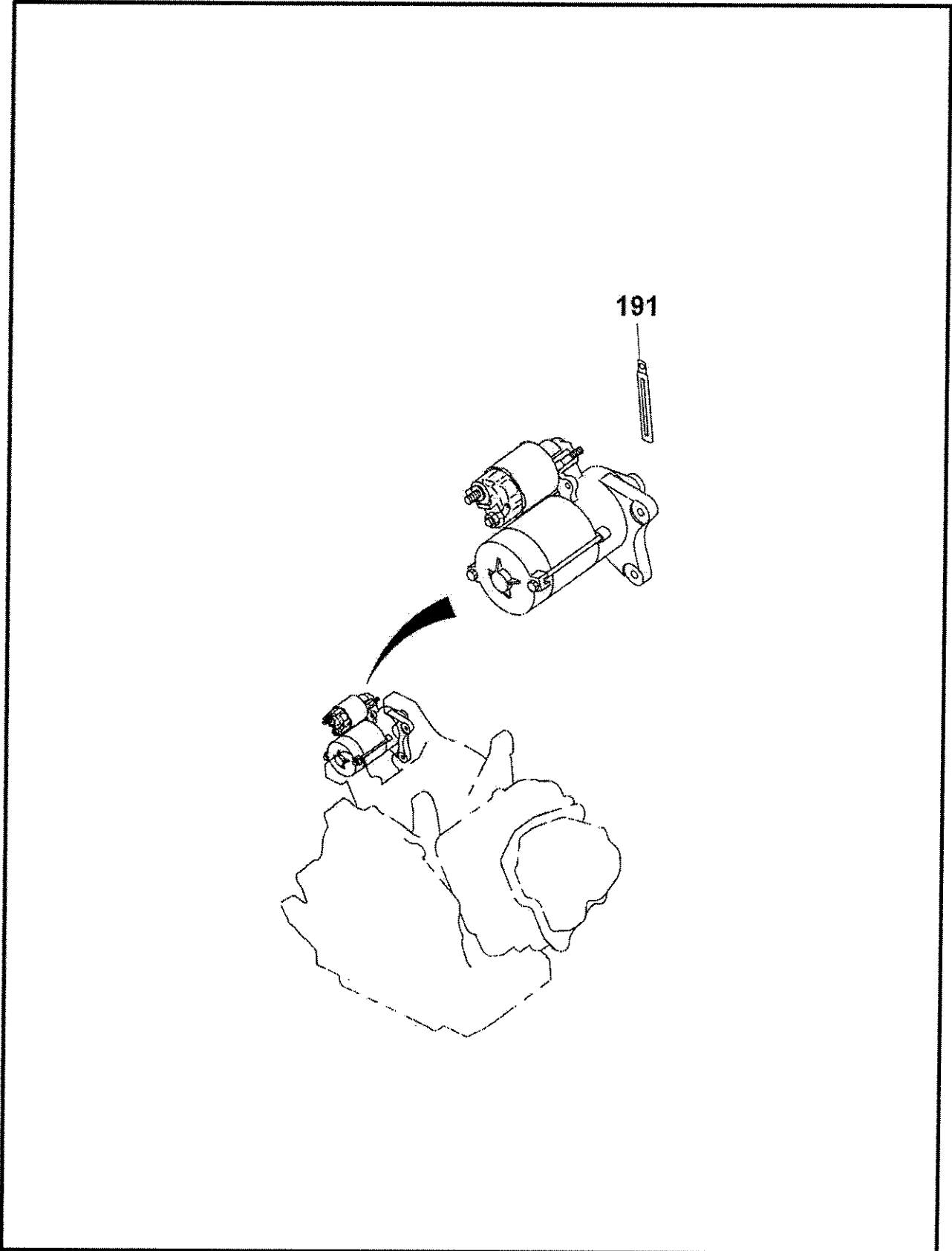


G4300IS(DEA)



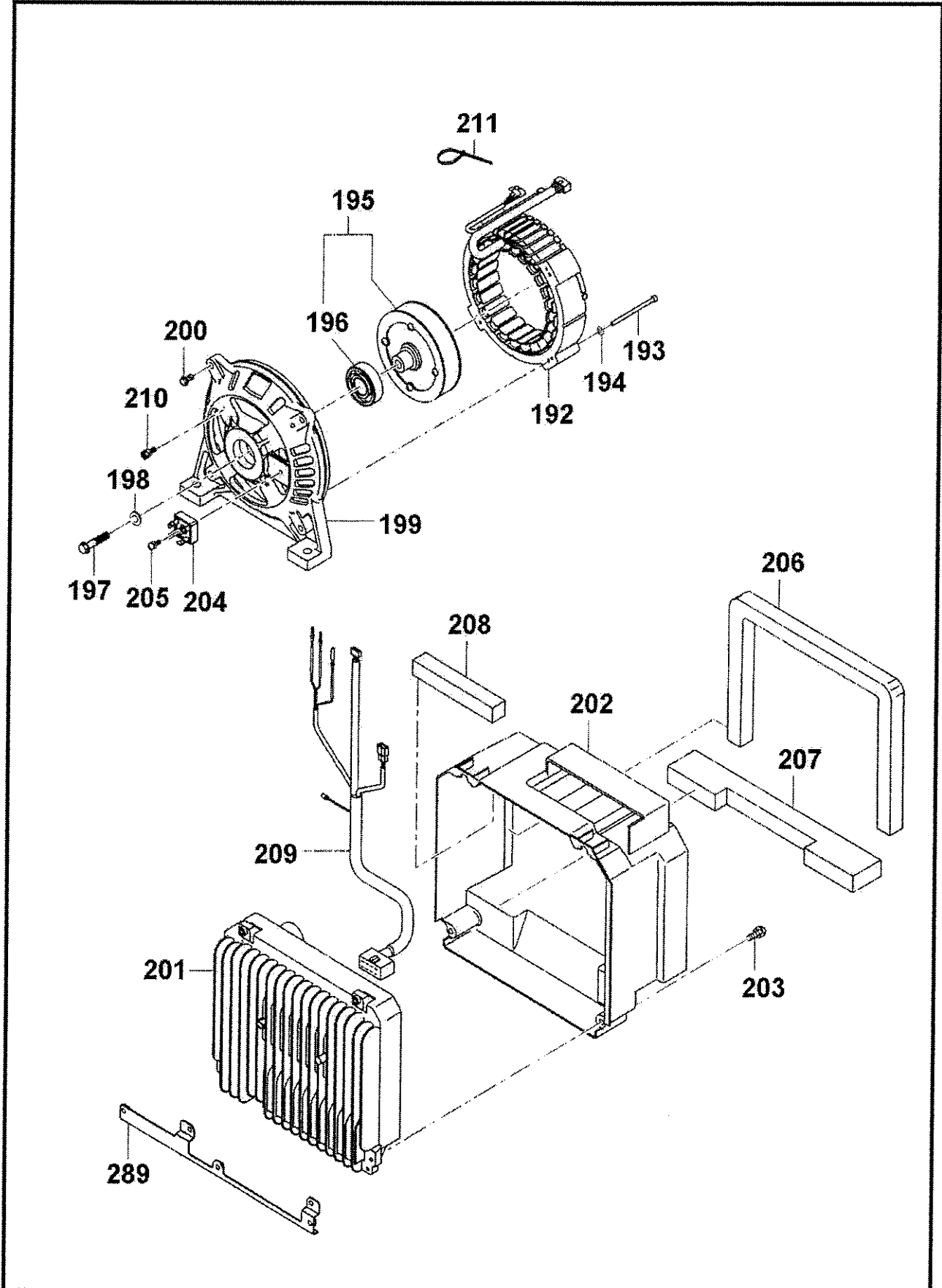


G4300IS(DEA)



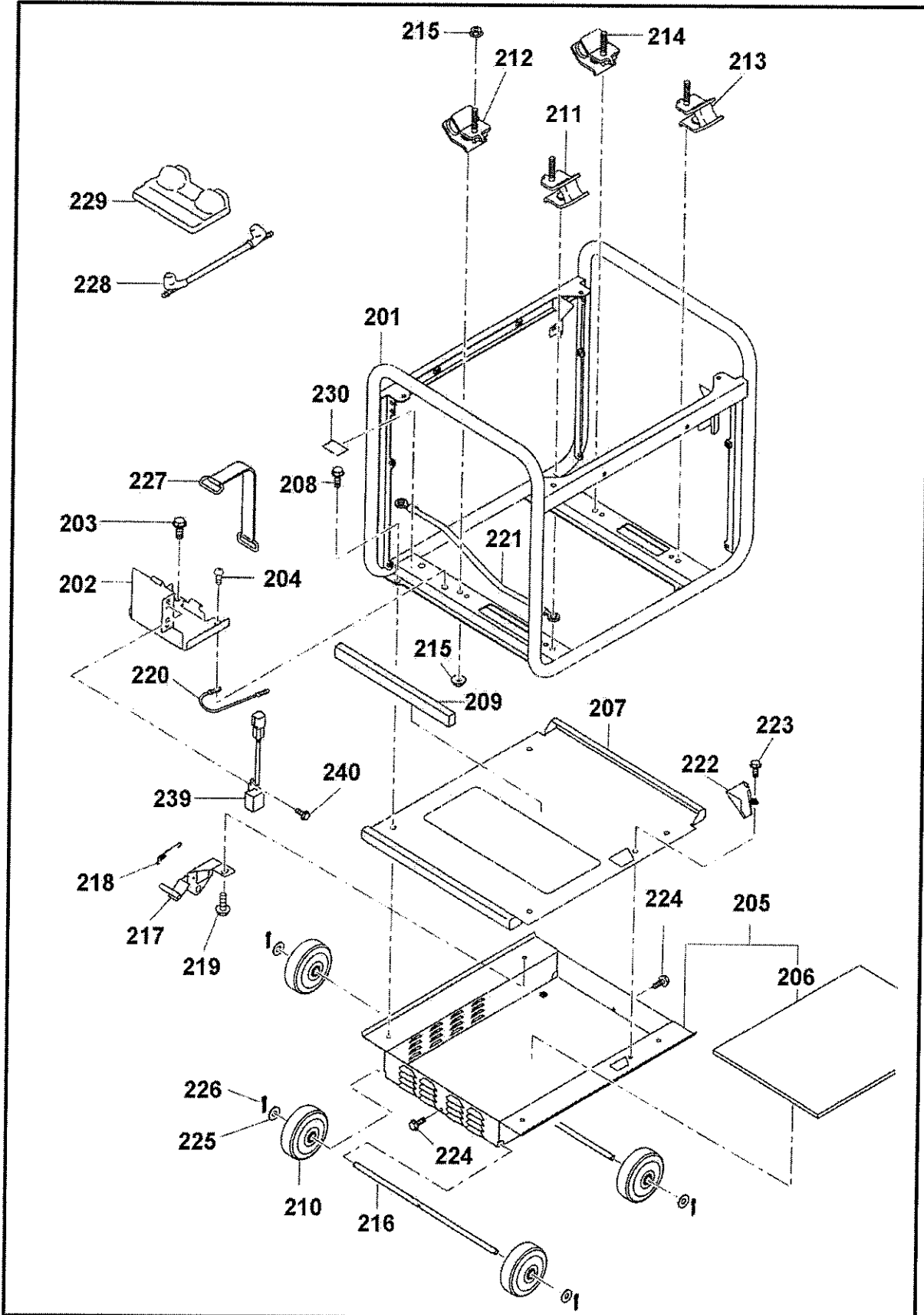


G4300IS(DEA)





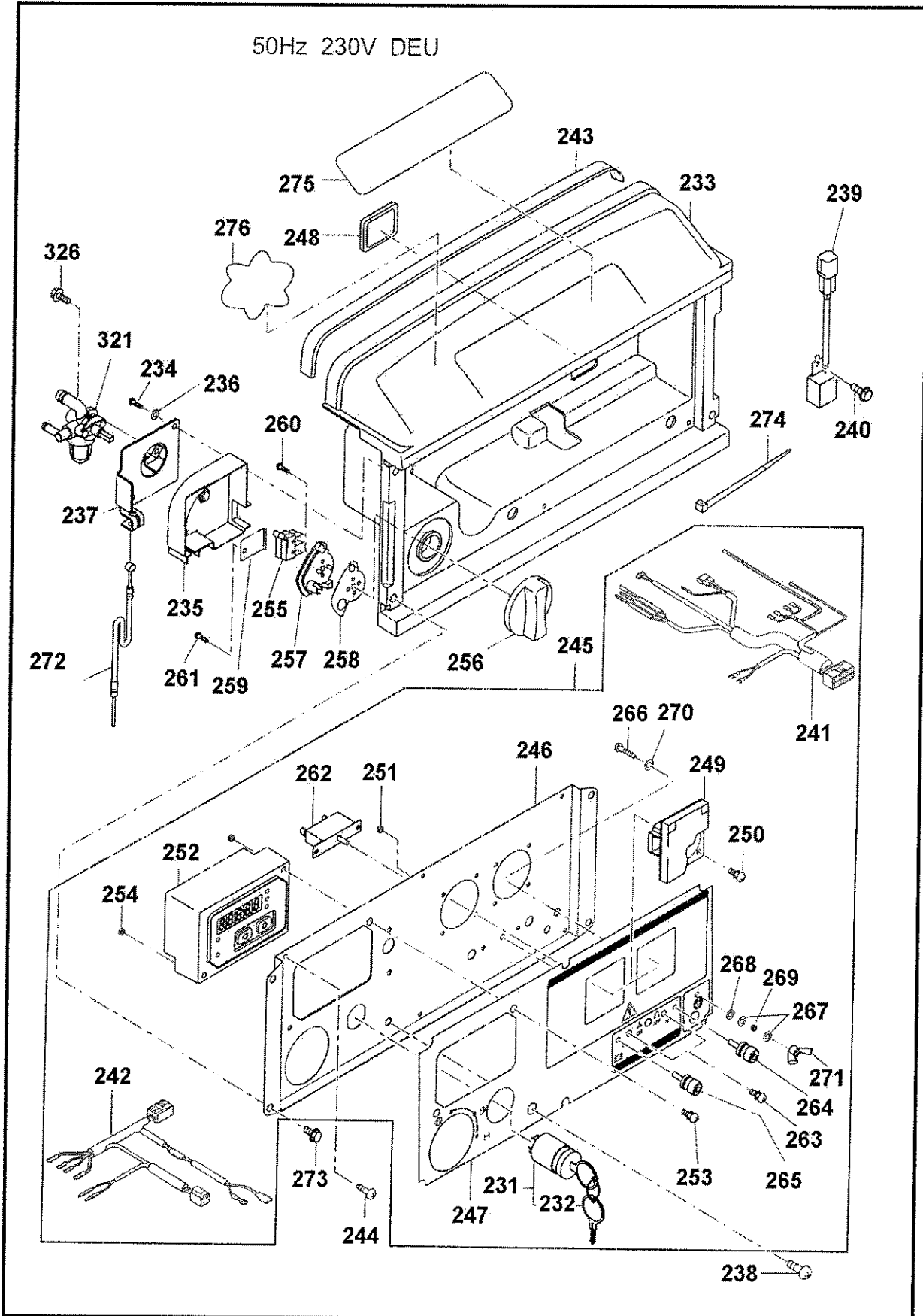
G4300IS(DEA)





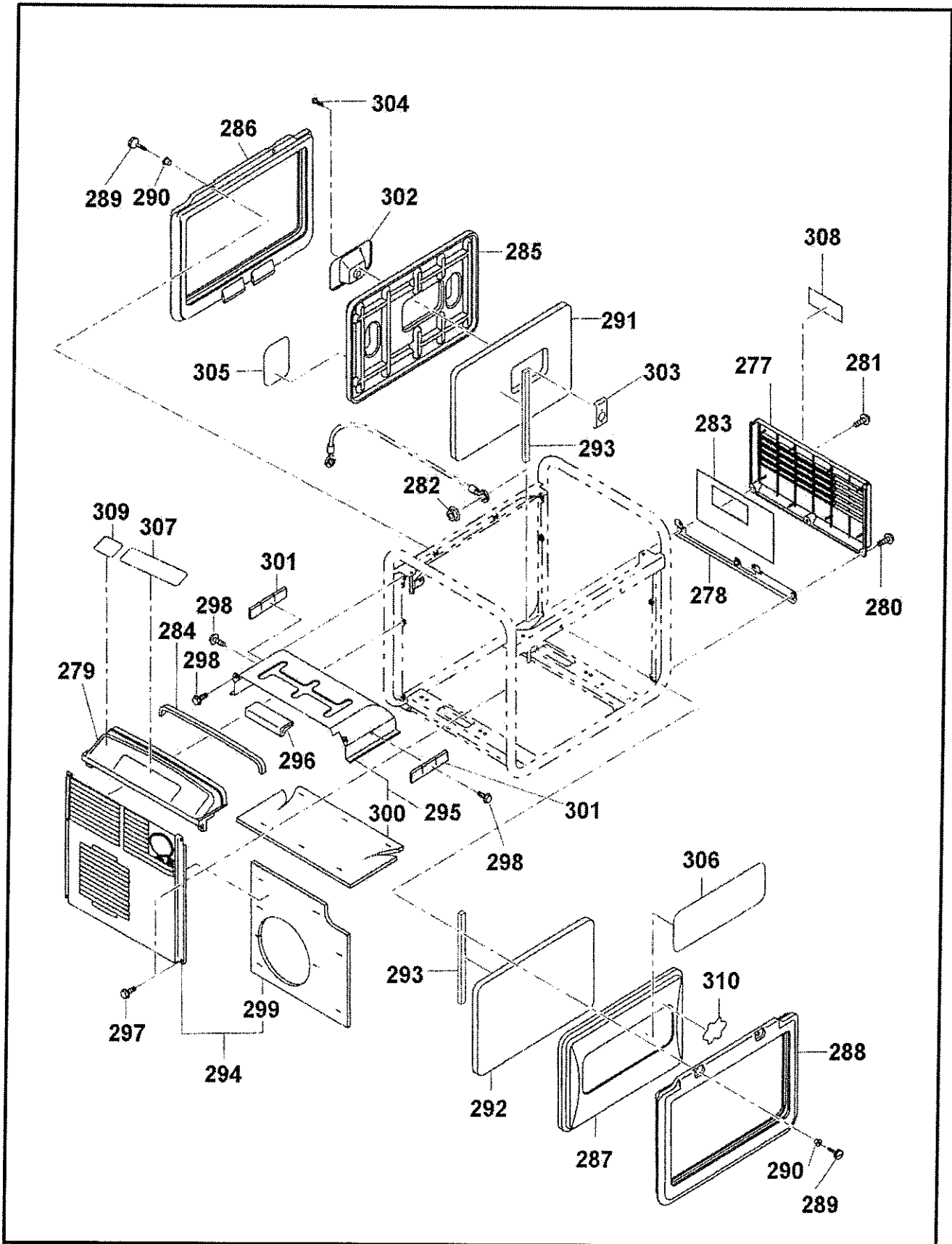
G4300IS(DEA)

50Hz 230V DEU



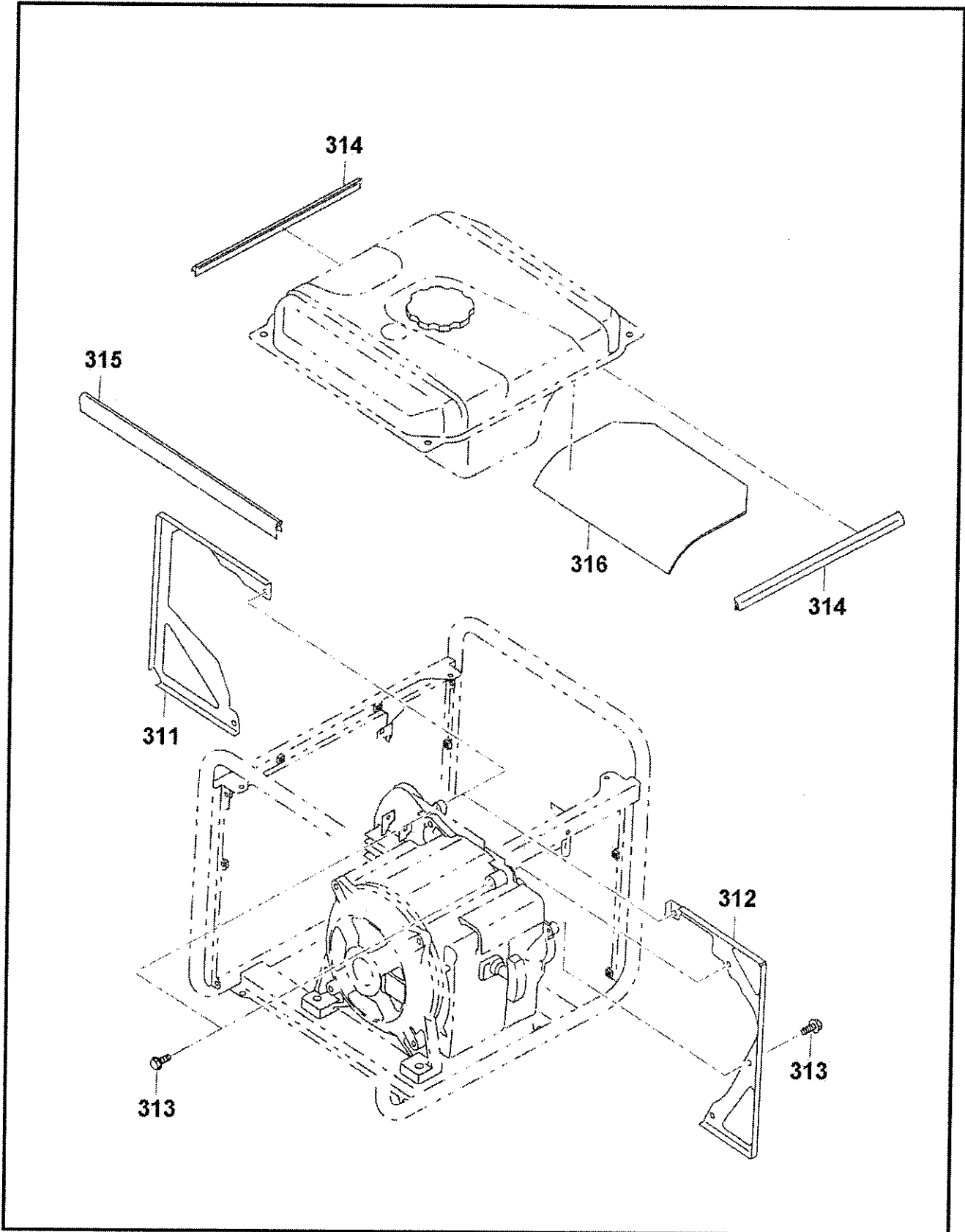


G4300IS(DEA)



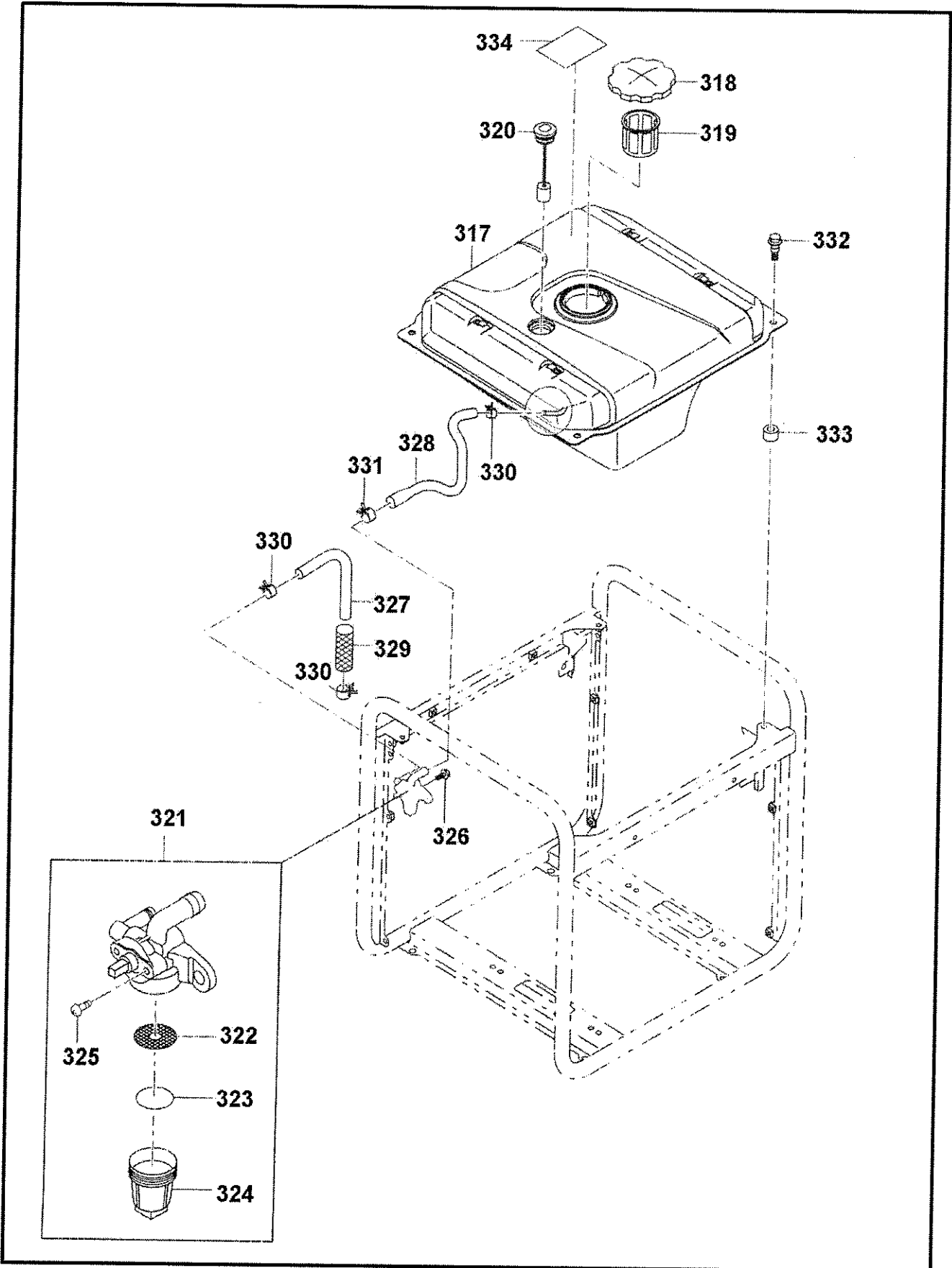


G4300IS(DEA)





G4300IS(DEA)



G4300IS

POS. NO	ITEM NO	DESCRIPTION	PC/SET	QTY	USED QTY
1	2791010251	CRANK CASE COMPLETE	PC.	1	1
2	2371420203	VALVE GUIDE (OVERSIZE)	PC.	1	2
3	2771601001	STEM SEAL	PC.	1	1
4	0440300160	OIL SEAL 30DX45DX7B	PC.	1	1
5	0600300341	BALL BEARING 6206 30DX62DX16B	PC.	1	1
6	2771501103	PIPE KNOCK 10.3DX8.5DX14L	PC.	1	2
7	0105060410	STUD M6X1.0X107L	PC.	1	2
8	0440060020	OIL SEAL 6DX10DX2.5B	PC.	1	1
9	0401140030	PLUG	PC.	1	2
10	0211140020	GASKET	PC.	1	2
10	D10	INC. 4-6,8			
11	2791100121	MAIN BEARING COVER C	PC.	1	1
11	D10	INC. 12,13			
12	0440300160	OIL SEAL 30DX45DX7B	PC.	1	1
13	0600300370	BALL BEARING 6206 30DX62DX16B	PC.	1	1
14	2796360113	OIL GAUGE M22X1.5L=67.5+18	PC.	1	1
15	0213200050	GASKET	PC.	1	2
16	0010408350	FLANGE BOLT	PC.	1	7
17	2791300501	CYLINDER HEAD COMPLETE	PC.	1	1
17	D10	INC. 2,3,7,102,1003			
18	2791500123	GASKET (HEAD)	PC.	1	1
19	0110080240	FLANGE BOLT M8X1.25X16DX68L	PC.	1	4
20	0110080310	FLANGE BOLT M8X33L	PC.	1	1
21	2771550101	LOCKER COVER COMPLETE	PC.	1	1
22	2771600103	GASKET(ROCKER COVER)T=0.7	PC.	1	1
23	2771501103	PIPE KNOCK 10.3DX8.5DX14L	PC.	1	2
24	0110060020	FLANGE BOLT M6X1.0X14DX12L	PC.	1	4
25	2799900117	GASKET SET	PC.	1	1
25	D10	INC. 10,15,18,22,116,130,131			
26	2792070141	CRANKSHAFT COMPLETE	PC.	1	1
27	0180180010	FLANGE NUT M18X15X31DX14H	PC.	1	1
28	0323030010	WOODRUFF KEY	PC.	1	1
29	2792250120	CONNECTING ROD ASSEMBLY	PC.	1	1
29	D10	INC. 30			
30	2792300103	CONNECTING ROD BOLT M7X1X13.8D	PC.	1	2
31	2792330103	PISTON PIN 18DX13DX53L	PC.	1	1
32	2792340103	PISTON STD(75DX43H)	PC.	1	1
032A	2792340303	PISUTON 0.25 OVER SIZ(75DX43H)	PC.	1	1
032B	2792340403	PISUTON 0.25 OVER SIZ(75DX43H)	PC.	1	1
33	2792351117	PISTON RING SET STANDARD OIL	PC.	1	1
033A	2792351217	PISTON RINGU SET 0.25 OVER SIZ	PC.	1	1
033B	2792351317	PISTON RINGU SET 0.25 OVER SIZ	PC.	1	1
34	0565180010	CLIP	PC.	1	2
35	2793160211	CAM SHAFT COMPLETE	PC.	1	1
35	D10	INC. 36-41			
36	2773510103	PIN(CAM SHAFT)9DX78.5L	PC.	1	1
37	0240060010	O RING 5.8DX9.6D	PC.	1	1
38	2773860103	PIN(SPRING) 4DX8DX9L	PC.	1	1
39	2793640103	RELEASE LEVER	PC.	1	1
40	2773650103	CLIP 13.8DX20.3DX4T	PC.	1	1
41	2793870113	RETURN SPRING	PC.	1	1
42	2793360103	VALVE SPING	PC.	1	2
43	2693370103	SPRING RETAINER	PC.	1	2
44	2793340113	INTAKE VALVE 28.5DX5.5DX67.8L	PC.	1	1
45	2793350113	EXHAUST VALVE 26.5DX5.5DX67.8L	PC.	1	1
46	13210KA031	COLLET VALVE	PC.	1	4
47	2793560111	TIMING CHAIN COMPLETE	PC.	1	1
48	2773691103	TENSIONER	PC.	1	1
49	2773710103	SPRING(TENSIONER)	PC.	1	1
50	2773690203	PIN(TENSIONER) 6DX13DX34L	PC.	1	1
51	2773691313	CHAIN GUIDE	PC.	1	1
52	2773500201	PIN(ROCKER) COMPLETE	PC.	1	1
52	D10	INC. 53			

G4300IS

POS. NO	ITEM NO	DESCRIPTION	PC/SET	QTY	USED QTY
53	0031305000	CLIP	PC.	1	1
54	2773620100	LOCKER ARM(INTAKE) ASS'Y	PC.	1	1
54	D10	INC. 56 58			
55	2773620200	ROCKER ARM(EXHAUST)ASS'Y	PC.	1	1
55	D10	INC. 57,59			
56	0149050020	ADJUST SCREW M5	PC.	1	1
57	0149050020	ADJUST SCREW M5	PC.	1	1
58	0170050030	NUT M5	PC.	1	1
59	0170050030	NUT M5	PC.	1	1
60	0110060020	FLANGE BOLT M6X1.0X14DX12L	PC.	1	1
61	2774860103	PIN(BLIND)	PC.	1	1
62	0031305000	CLIP	PC.	1	1
63	2797926111	FLYWHEEL COMPELTE	PC.	1	1
64	2797943101	IGNITION COIL COMPLETE	PC.	1	1
65	2677100203	RING GEAR	PC.	1	1
66	0011406250	BOLT & WASHER ASS'Y	PC.	1	2
67	27973105H1	WIRE 5	PC.	1	1
68	0650140150	SPARK PLUG (BR6HS)	PC.	1	1
69	0655000270	SPARK PLUG CAP	PC.	1	1
70	2797630131	OIL SENSOR COMPLETE	PC.	1	1
71	0011406160	BOLT & WASHER ASS'Y	PC.	1	1
72	0130060260	BOLT AND WASHER ASSEMBLY	PC.	1	1
73	2797550103	WIRE CLAMP	PC.	1	1
74	0152060050	TAPPING BOLT	PC.	1	1
75	2797050200	STARTING MOTOR ASSEMBLY	PC.	1	1
75	D10	INC. 76-95			
76	2097055008	YOKE COMPLETE	PC.	1	1
77	2097055108	BRUSH	PC.	1	4
78	2097054508	BRUSH SPRING	PC.	1	4
79	2097053008	BRUSH HOLDER	PC.	1	1
80	2097055208	INSULATOR	PC.	1	1
81	2097055408	ARMATURE ASSEMBLY	PC.	1	1
82	2097052108	OVER RUNNING CLUTCH	PC.	1	1
82	D10	INC. 83			
83	2347055508	PINION STOPPER	PC.	1	1
84	2797055008	HOUSING COMPLETE	PC.	1	1
84	D10	INC. 85			
85	2097051108	BUSH	PC.	1	1
86	2097050518	FRAME COMPLETE	PC.	1	1
86	D10	INC. 87			
87	2097051008	BUSH	PC.	1	1
88	2097052508	LEVER	PC.	1	1
89	2797051508	MAGNET SWITCH COMPLETE	PC.	1	1
90	2097055718	SNAP RING	PC.	1	1
91	2097055808	THROUGH BOLT	PC.	1	2
92	9492997002	NUT	PC.	1	2
93	2097056008	NUT	PC.	1	2
94	1077065208	SPRING WASHER	PC.	1	1
95	2117058408	NUT	PC.	1	1
96	2797651111	BRACKET (SEL) COMPLETE	PC.	1	1
97	2147900701	BOLT,STARTER	PC.	1	2
98	0110060020	FLANGE BOLT M6X1.0X14DX12L	PC.	1	3
99	0031008000	WASHER	PC.	1	2
100	0021708000	NUT	PC.	1	1
101	0032008000	SPRING WASHER	PC.	1	1
102	0105080290	MUFFLER STUD	PC.	1	1
103	0105080440	STUD M8X120L	PC.	1	1
104	33D3500101	BOTTOM EXT. PLATE COMPLETE	PC.	1	1
105	0110080270	FLANGE BOLT M8X33L	PC.	1	2
106	0110080150	FLANGE BOLT M8X12L	PC.	1	2
107	34J5410101	FAN (SILENT) COMPLETE	PC.	1	1
108	0011410250	BOLT AND WASHER	PC.	1	1
109	0200080080	WASHER	PC.	1	1

G4300IS

POS NO	ITEM NO	DESCRIPTION	PC/SET	QTY	USED QTY
110	2793041131	MUFFLER COMPLETE(SILENT)	PC.	1	1
111	33D5260103	BAFFLE	PC.	1	1
112	0110080270	FLANGE BOLT M8X33L	PC.	1	2
113	0023808000	FLANGE NUT	PC.	1	2
114	0110080320	FLANGE BOLT	PC.	1	1
115	0110060010	FLANGE BOLT M6X1.0X14DX8L	PC.	1	1
116	2773520113	GASKET(MUFFLER)	PC.	1	2
117	9802008280	FLANGE NUT M8	PC.	1	2
118	2793920103	FLANGE	PC.	1	1
119	2773721000	TAIL SCREEN COMPLETE	PC.	1	1
120	0043505160	SCREW ASS'Y	PC.	1	1
121	0021805000	NUT M5	PC.	1	1
122	2793262200	AIR CLEANER ASSEMBLY	PC.	1	1
122	D10	INC. 123-126			
123	2793263508	CLEANER BODY COMPELTE	PC.	1	1
124	2793265008	GASKET	PC.	1	1
125	2793264608	COVER COMPLETE	PC.	1	1
126	2793261208	FILTER	PC.	1	1
127	0023806000	FLANGE NUT M6	PC.	1	2
128	0851080000	RUBBER PIPE 1M	PC.	1	1
129	2793291003	INSULATOR	PC.	1	1
130	27935902H3	GASKET1(INSULATOR)	PC.	1	1
131	27935903H3	GASKET2(INSULATOR)	PC.	1	1
132	2793970103	SPONGE(INSULATOR)	PC.	1	1
133	2793900401	BRACKET (A/C) COMPLETE	PC.	1	1
134	0110060050	FLANGE BOLT	PC.	1	1
135	0110060150	FLANGE BOLT	PC.	1	1
136	2795200113	BLOWER HOUSING	PC.	1	1
137	0011406300	BOLT AND WASHER ASSY	PC.	1	1
138	0011406600	BOLT AND WASHER ASSEMBLY	PC.	1	4
139	9804008110	STR PIN 8X10	PC.	1	2
140	2775040100	RECOIL STARTER ASSY	PC.	1	1
141	2775040208	SPIRAL SPRING	PC.	1	1
142	2775040308	REEL	PC.	1	1
143	2775040808	STARTER ROPE	PC.	1	1
144	2775040908	STARTER KNOB	PC.	1	1
144	D10	INC. 141-148			
145	2775040408	RACHET	PC.	1	1
146	2775040508	FRICTION SPRING	PC.	1	1
147	2775040708	FRICTION PLATE	PC.	1	1
148	2775040608	RETAINING RING	PC.	1	1
149	0110060140	FLANGE BOLT M6X18L	PC.	1	3
150	2795411003	COOLING BLOWER	PC.	1	1
151	2795270213	BAFFLE2(HEAD)	PC.	1	1
152	0110060020	FLANGE BOLT M6X1.0X14DX12L	PC.	1	1
153	2772440103	DRIVING SHAFT	PC.	1	1
154	0110100110	FLANGE BOLT M8X27L	PC.	1	4
155	2796233000	CARBURETOR ASSEMBLY	PC.	1	1
155	D10	INC. 156-190			
156	2796253508	THROTTLE VALVE	PC.	1	1
157	2516245008	SCREW	PC.	1	2
158	2796252608	VALVE CHOKE	PC.	1	1
159	2516245008	SCREW	PC.	1	2
160	2796242008	JET SLOW	PC.	1	1
161	2796252108	CHOKE LEVER	PC.	1	1
162	2796253108	THROTTLE SHAFT	PC.	1	1
163	2516245308	SCREW	PC.	1	1
164	2796250008	VALVE ASSEMBLY,NEEDLE	PC.	1	1
165	2796251508	PIN FLOAT LEVER	PC.	1	1
166	2796255308	FLOAT BODY	PC.	1	1
167	2516235008	GASKET	PC.	1	1
168	2796254008	GASKET CHAMBER	PC.	1	1
169	2796250508	FLOAT SUB ASSEMBLY	PC.	1	1

G4300IS

POS. NO	ITEM NO.	DESCRIPTION	PC./SET	QTY	USED QTY
170	2796240008	JET MAIN	PC.	1	1
171	2846245608	SCREW	PC.	1	1
172	2796244708	SPRING(CHOKE)	PC.	1	1
173	2796258108	SCREW	PC.	1	1
174	2796256108	BUSH	PC.	1	1
175	2796235318	SCREW ADJUSTING	PC.	1	1
176	2796244508	SPRING	PC.	1	1
177	2796256508	COLLAR	PC.	1	2
178	2846231508	SPRING(THROTTLE)	PC.	1	1
179	2796245208	O-RING	PC.	1	1
180	2796245108	O-RING	PC.	1	1
181	2796259008	VINYL PIPE	PC.	1	1
182	2846258008	MOTOR	PC.	1	1
183	2846257608	BRACKET(MOTOR)	PC.	1	1
184	2776259508	5OVER(MOTOR)	PC.	1	1
185	2846245808	SCREW	PC.	1	2
186	2846245708	SCREW	PC.	1	2
187	2796260008	JOINT LEVER	PC.	1	1
188	2846244608	SPRING	PC.	1	1
189	2796257508	BRACKET	PC.	1	1
190	2796258008	SCREW	PC.	1	3
191	0566000250	CLAMP	PC.	1	1
192	34D2105101	STATOR COMPLETE	PC.	1	1
193	34D2105108	BOLT	PC.	1	4
194	0032005000	SPRING WASHER	PC.	1	4
195	34D2006101	ROTOR COMPLETE	PC.	1	1
195	D10	INC. 196			
196	34B2100108	BEARING	PC.	1	1
197	0100100200	BOLT	PC.	1	1
198	0200100160	WASHER	PC.	1	1
199	34B2307101	REAR COVER	PC.	1	1
200	0011406250	BOLT & WASHER ASSY	PC.	1	4
201	KU31073011	INV AND E/G C/U COMPLETE(F14)	PC.	1	1
202	34B5500103	COVER	PC.	1	1
203	0043605160	SCREW ASS'Y M5X16 (W,SW)	PC.	1	2
204	34K2090308	RECTIFIER	PC.	1	1
205	34K2090408	SCREW	PC.	1	1
206	34J5730103	SEAL SPONG IN1	PC.	1	1
207	34B5730203	SEAL SPONGE IV2	PC.	1	1
208	34B5730303	SEAL SPONGE IV3	PC.	1	1
209	34B4810101	WIRE HARNESS	PC.	1	1
210	34K2090508	SCREW	PC.	1	1
211	34K2090708	BAND	PC.	1	2
212	34J3000101	FRAME COMPLETE	PC.	1	1
213	33B3560201	BATTERY BASE	PC.	1	1
214	0110060080	FLANGE BOLT M6X12L	PC.	1	2
215	0140060121	SCREW	PC.	1	1
216	34J5310101	BASE PLATE(LOWER) COMPLETE	PC.	1	1
217	34G5900503	SPONGE(BASE)	PC.	1	1
218	34J5300201	BASE PLATE(UPPER) COMPLETE	PC.	1	1
219	0011408160	BOLT AND WASHER ASSY	PC.	1	4
220	34G5900603	SPONGE(BASE)	PC.	1	1
221	3933060301	WHEEL	PC.	1	4
222	32B3021401	MOUNT COMPLETE(L)	PC.	1	1
223	32B3021301	MOUNT COMPLETE(R)	PC.	1	1
224	32B3020301	MOUNT COMPLETE(R) 35L	PC.	1	1
225	32B3020401	MOUNT COMPLETE (L) 35L	PC.	1	1
226	0023808000	FLANGE NUT	PC.	1	8
227	34G5520101	SHAFT (WHEEL) COMPLETE	PC.	1	2
228	34G5600210	BRAKE	PC.	1	1
229	34G5610213	SPRING	PC.	1	1
230	0011408160	BOLT AND WASHER ASSY	PC.	1	1
231	33B4809101	EARTH WIRE COMPLETE	PC.	1	1

G4300IS

POS. NO	ITEM NO	DESCRIPTION	PC/SET	QTY	USED QTY
232	34B4809101	EARTH WIRE	PC.	1	1
233	34G5521111	DRAIN GUIDE	PC.	1	1
234	0110060020	FLANGE BOLT M6X1.0X14DX12L	PC.	1	1
235	0110060020	FLANGE BOLT M6X1.0X14DX12L	PC.	1	2
236	0031112000	WASHER	PC.	1	4
237	0051030250	COTTER PIN	PC.	1	4
238	33B5800101	BATTERY BAND	PC.	1	1
239	33B4807211	BATTERY WIRE COMPLETE	PC.	1	1
240	33D3570103	BATTERY COVER	PC.	1	1
241	0732002651	LABEL(EARTH)	PC.	1	1
242	0660000330	KEY SWITCH ASS'Y	PC.	1	1
243	0660009980	KEY	PC.	1	2
244	33B5000201	FRONT COVER (UPPER) COMPLETE	PC.	1	1
245	0150040070	TAPPING SCREW	PC.	1	2
246	33B4600103	COVER (COCK)	PC.	1	1
247	0031004000	WASHER	PC.	1	2
248	33B4601201	BRACKET (COCK)	PC.	1	1
249	0043606160	SCREW & WASHER ASS'Y	PC.	1	2
250	33B4710101	DIODE	PC.	1	1
251	0110060020	FLANGE BOLT M6X1.0X14DX12L	PC.	1	1
252	34B4800201	WIRE HARNESS COMPLETE	PC.	1	1
253	33B4805201	WIRE HARNESS COMPLETE	PC.	1	1
254	34B5731103	SEAL SPONGE FC2	PC.	1	1
255	3534990408	TAPPING SCREW(M4X10MM)	PC.	1	6
256	34D4571410	CONTROL PANEL ASSEMBLY	PC.	1	1
256	D10	INC. 242,243,252,253,257,258			
256	D20	INC. 260-265,273-282			
257	33B4500901	PANEL PLATE COMPLETE	PC.	1	1
258	34B4911503	SHEET (PANEL VS) 15	PC.	1	1
260	3584062108	AC RECEPTACLE F/GERMAN TYPE	PC.	1	2
261	0043603120	SCREW & WASHER ASS'Y	PC.	1	8
262	0021703000	NUT(M5)	PC.	1	8
263	KU31177011	MONITOR C/U COMPLETE (INV2)	PC.	1	1
264	0131040080	SCREW AND WASHER ASSY	PC.	1	2
265	0021704000	NUT	PC.	1	2
266	33K4181103	MICRO SWITCH	PC.	1	2
267	33K4201003	CONTROL DIAL	PC.	1	1
268	33K4202003	CHOKE REEL	PC.	1	1
269	33K4203013	PLATE	PC.	1	1
270	33B4601501	BRACKET	PC.	1	1
271	33K4181408	TAPPING SCREW M3X16L	PC.	1	2
272	0150040070	TAPPING SCREW	PC.	1	1
273	3524562008	CIRCUIT BREAKER (DC) 10A	PC.	1	1
274	31B7901103	SCREW AND WASHER ASS'Y	PC.	1	2
275	3634570108	TERMINAL BOLT (RED)	PC.	1	1
276	3634570008	TERMINAL BOLT (BLACK)	PC.	1	1
277	3888800103	SCREW M5X18	PC.	1	1
278	3320005008	SPRING WASHER	PC.	1	2
279	3534990308	WASHER	PC.	1	1
280	3534990208	NUT	PC.	1	1
281	0033005000	LOCK WASHER	PC.	1	1
282	3534990108	WING NUT	PC.	1	1
283	33B4602101	CHOKE WIRE COMPLETE	PC.	1	1
284	0140060190	SCREW	PC.	1	4
285	0563000020	WIRE BAND	PC.	1	5
286	34J9001713	LABEL(TRADE MARK)	PC.	1	1
287	34K9211003	LABEL E-CON	PC.	1	1
288	33B5010101	FRONT COVER (LOWER) COMPLETE	PC.	1	1
289	33B3550101	BRACKET (COVER) COMPLETE	PC.	1	1
290	33B5050101	REAR COVER (UPPER)	PC.	1	1
291	0110060180	FLANGE BOLT M6X1.0X14DX18L	PC.	1	2
292	0011106250	BOLT & WASHER ASSY	PC.	1	1
293	0023806000	FLANGE NUT M6	PC.	1	1

G4300IS

POS NO	ITEM NO.	DESCRIPTION	PC/SET	QTY	USED QTY
294	34B5731003	SEAL SPONGE FC1	PC.	1	1
295	34B5731103	SEAL SPONGE FC2	PC.	1	1
296	34J5100201	SIDE COVER(R) COMPLETE	PC.	1	1
297	34J5510103	SIDE RUBBER SEAL	PC.	1	1
298	34J5110201	SIDE COVER(L) COMPLETE	PC.	1	1
299	34J5510103	SIDE RUBBER SEAL	PC.	1	1
300	34G5530101	COVER BOLT	PC.	1	4
301	34G5530201	SPACER	PC.	1	4
302	34J5900113	SPONGE(S COVER-R)	PC.	1	1
303	34J5900213	SPONGE(S COVER-L)	PC.	1	1
304	34G5732103	SEAL SPONGE (SIDE)	PC.	1	2
305	33B5641101	MUFFLER COVER (REAR) COMPLETE	PC.	1	1
305	D10	INC. 310			
306	34J5635101	MUFFLER COVER (LL) COMPLETE	PC.	1	1
307	33B5700503	SEAL RUBBER	PC.	1	1
308	0110060180	FLANGE BOLT M6X1.0X14DX18L	PC.	1	6
309	0110060080	FLANGE BOLT M6X12L	PC.	1	4
310	33B5710503	GLASS WOOL(M COVER)	PC.	1	1
311	33B5710403	GLASS WOOL	PC.	1	1
312	34J5732103	SEAL SPONGE(MUF27)	PC.	1	2
313	34G5500101	COVER(RECOIL KNOB)COMPLETE	PC.	1	1
314	34G5500201	PLATE COMPLETE	PC.	1	1
315	0043506100	SCREW & WASHER ASS Y	PC.	1	2
316	34J9101713	LABEL(TRADE MARK-R)	PC.	1	1
317	34J9201713	LABEL(TRADE MARK-L)	PC.	1	1
318	33B9713213	LABEL (TRADE MARK-RC)	PC.	1	1
319	34J9610613	LABEL(SPEC)	PC.	1	1
320	0732005390	LABEL(93DB)	PC.	1	1
321	34K9211003	LABEL E-CON	PC.	1	1
322	33D5610101	SEPARATOR(A/C)	PC.	1	1
323	33D5610201	SEPARATOR(SEL)	PC.	1	1
324	0110060010	FLANGE BOLT M6X1.0X14DX8L	PC.	1	5
325	33B5700303	SEAL RUBBER	PC.	1	2
326	33B5700403	SEAL RUBBER	PC.	1	1
327	34J5720103	SPONGE(TANK)	PC.	1	1
328	33D6010211	FUEL TANK COMPLETE	PC.	1	1
329	0430590011	FUEL TANK CAP, COMPLETE	PC.	1	1
330	0641540011	FUEL FILTER	PC.	1	1
331	0648001500	FUEL GAUGE COMPLETE	PC.	1	1
332	0642010300	FUEL STRAINER ASSY	PC.	1	1
332	D10	INC. 333-336			
333	0642009320	FILTER	PC.	1	1
334	0642006410	RUBBER PACKING	PC.	1	1
335	0642007810	CUP	PC.	1	1
336	0642004790	PAN HEAD SCREW M3X8	PC.	1	2
337	0110060020	FLANGE BOLT M6X1.0X14DX12L	PC.	1	1
338	0851060000	RUBBER PIPE 6X12X160	PC.	1	1
339	0851070040	RUBBER PIPE TANK-COCK	PC.	1	1
340	2511730203	MESH PROTECTOR	PC.	1	1
341	0561110020	HOSE CLAMP 11D	PC.	1	2
342	0561130010	HOSE CLAMP 13D	PC.	1	2
343	0110060220	FLANGE BOLT	PC.	1	4
344	3913900013	RUBBER (TANK)	PC.	1	4
345	33B9710213	LABEL (CAUTION)	PC.	1	1
A01		27790301H0	ACCESSORY TOOL KIT	PC.	1