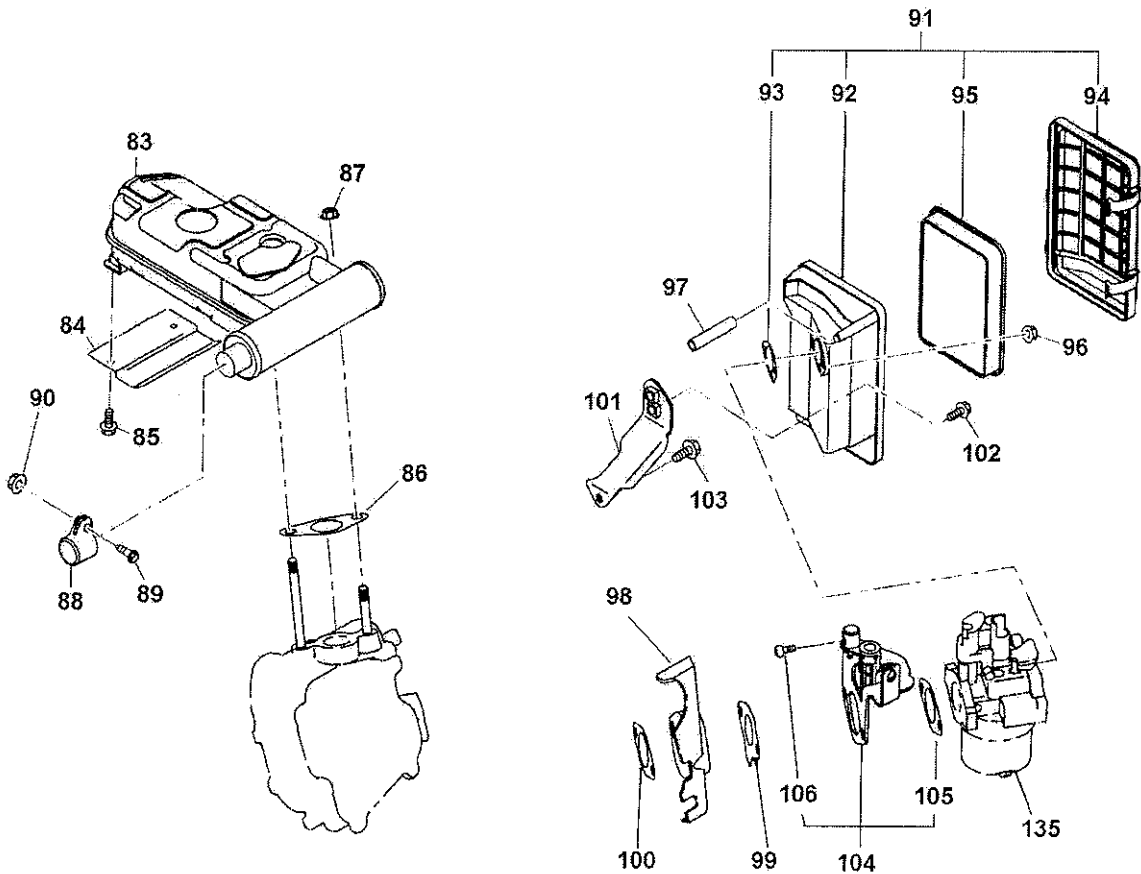
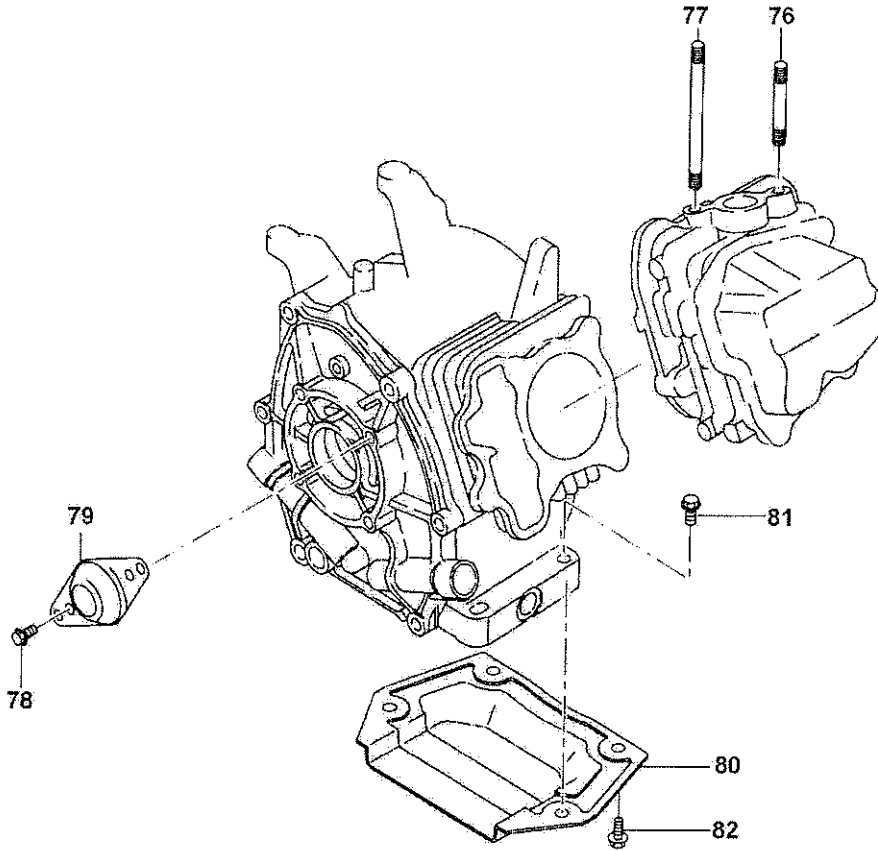
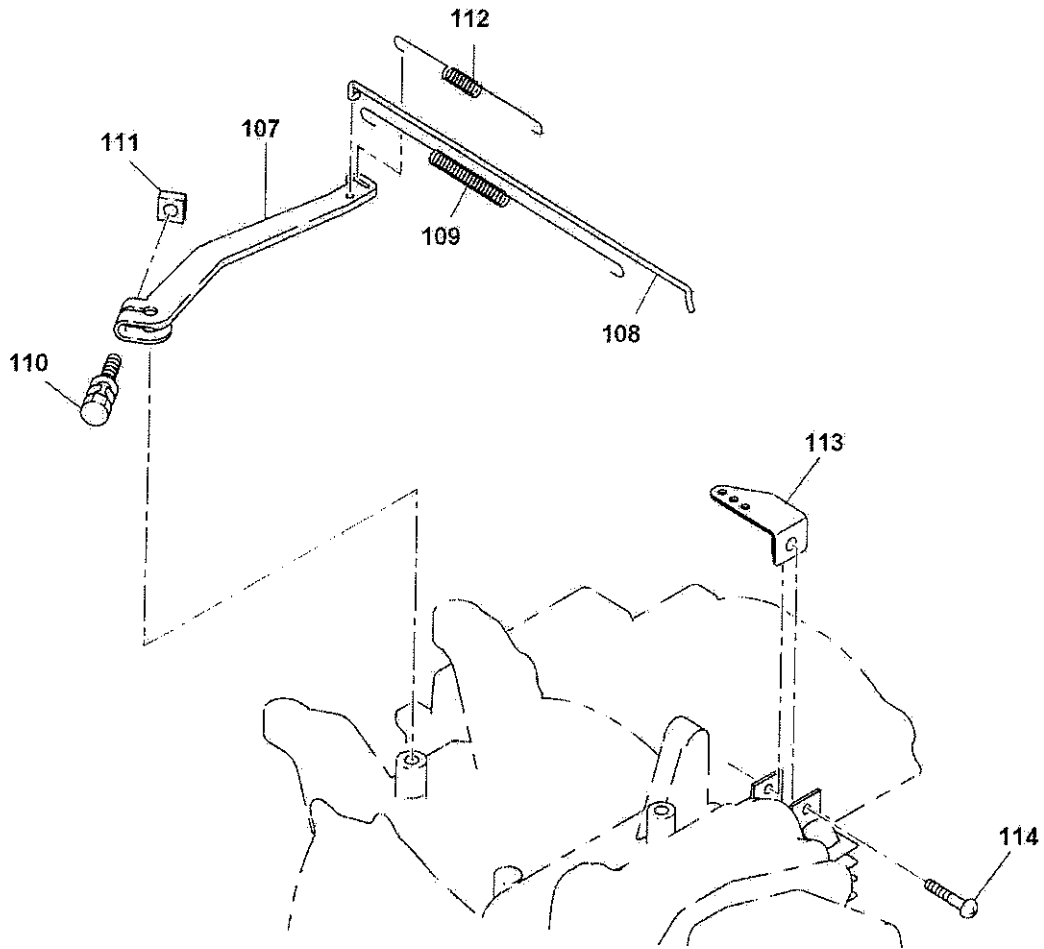
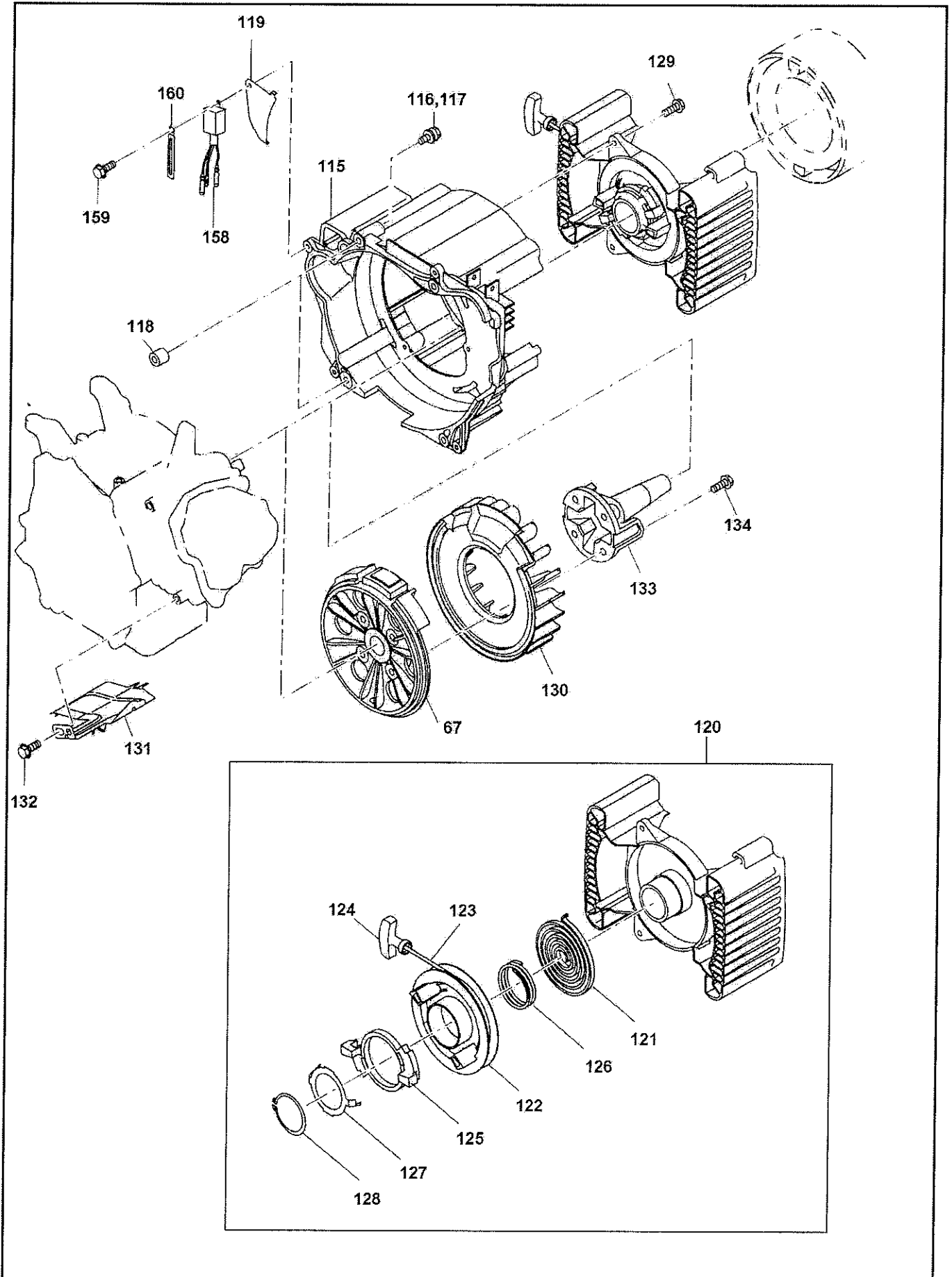
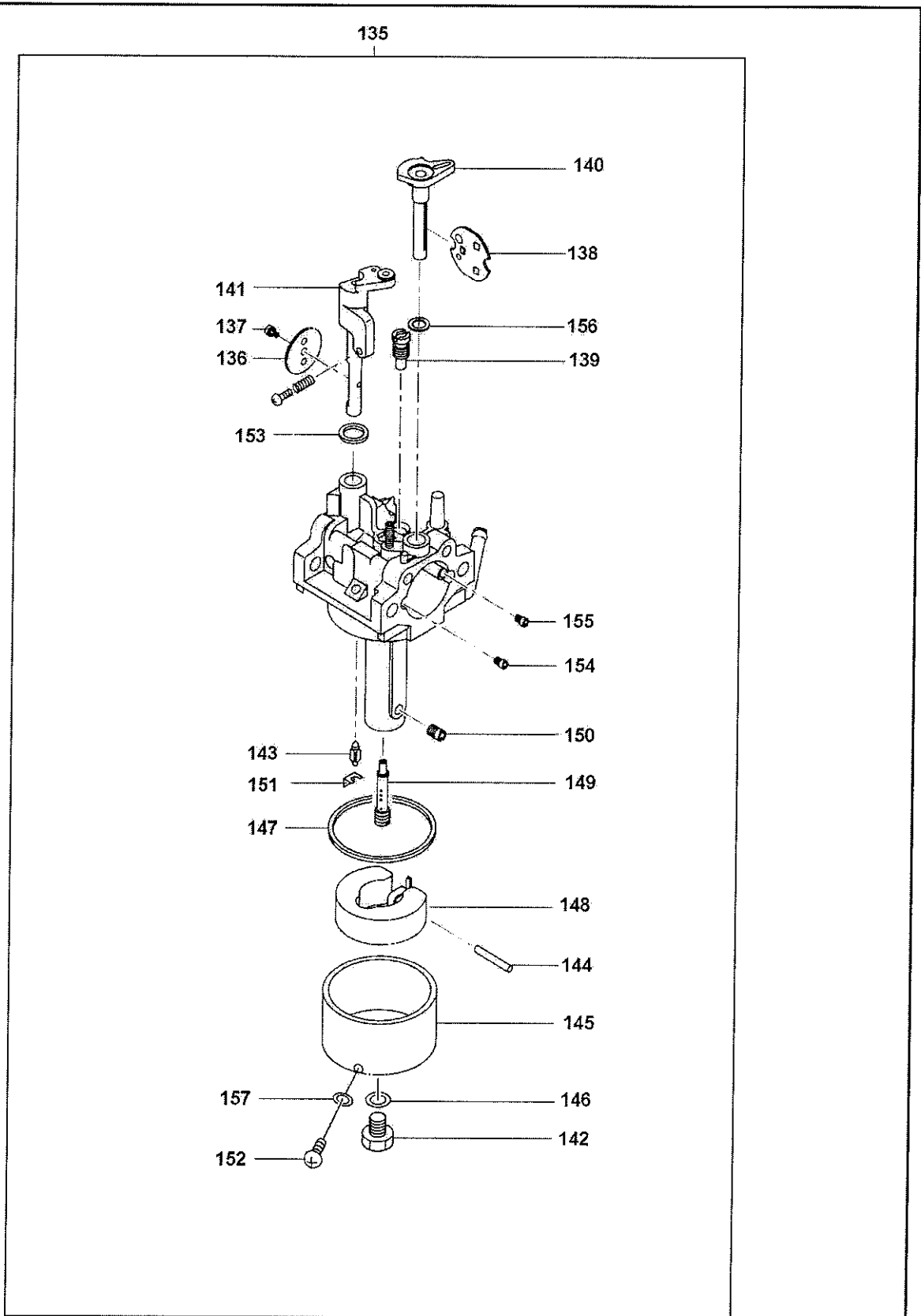


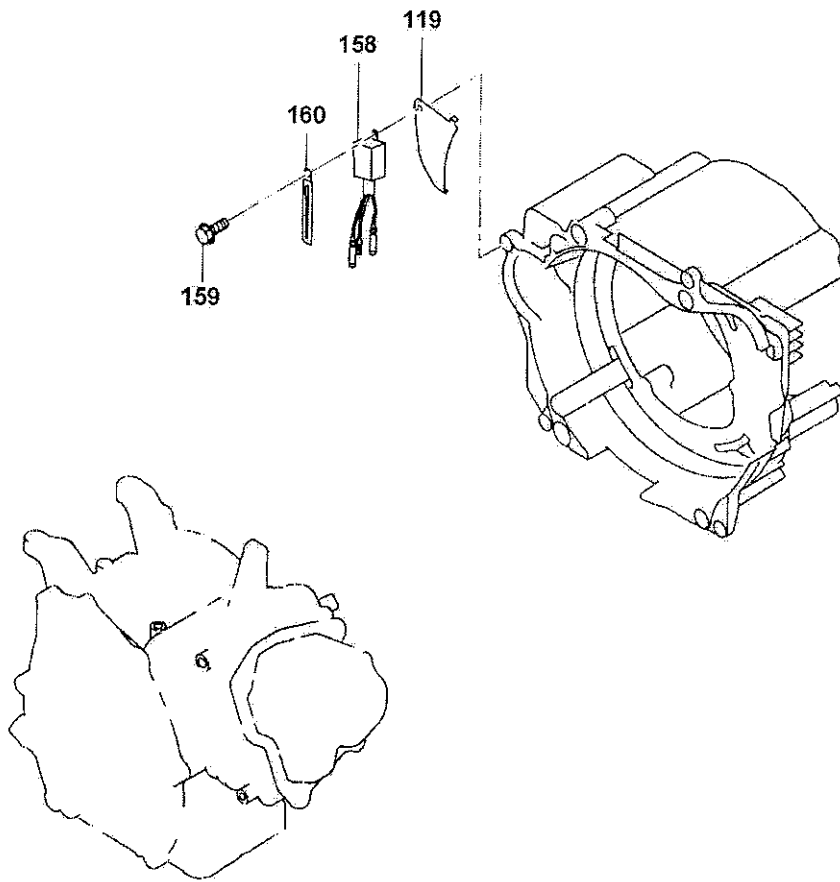
135 CARBRETOR ASS'Y

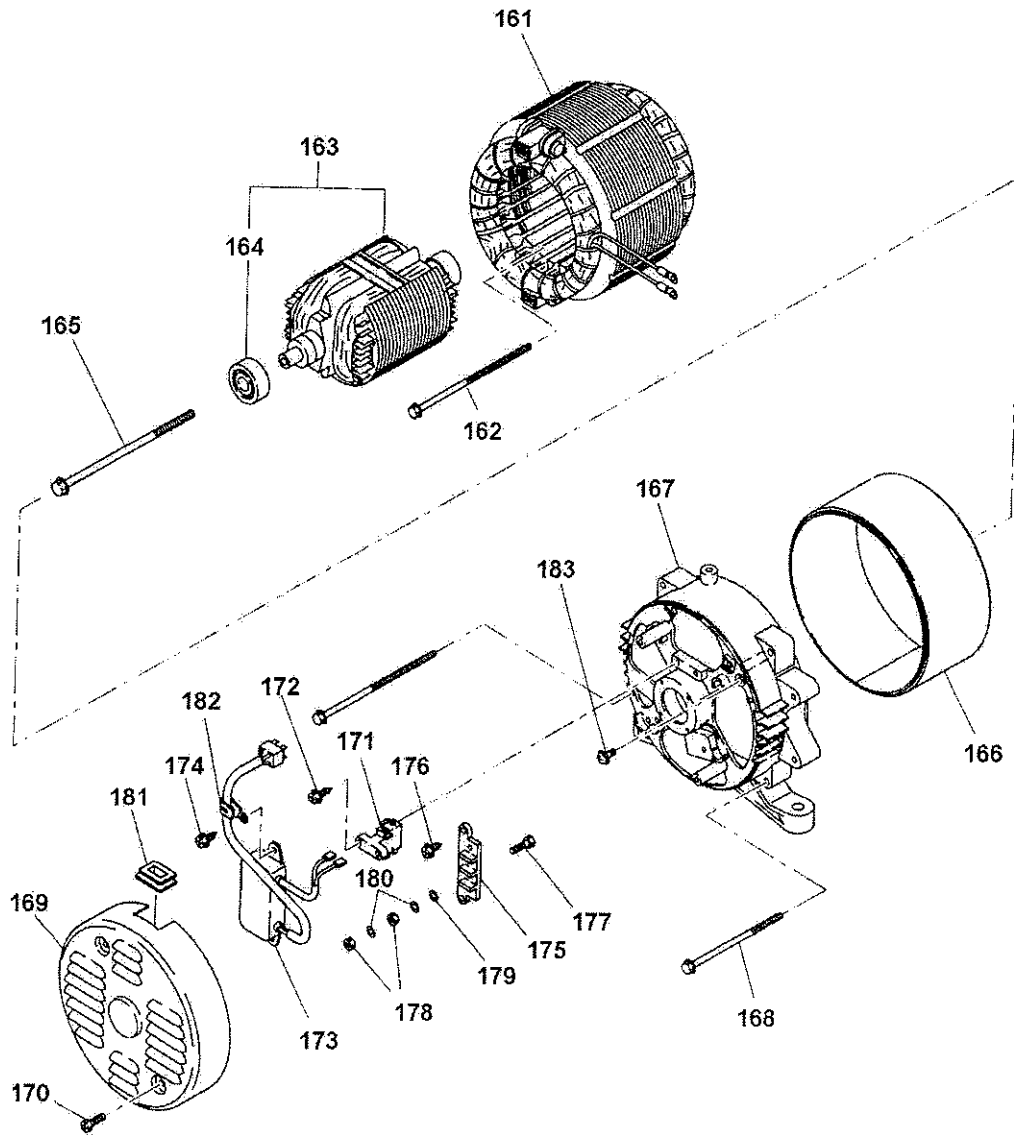






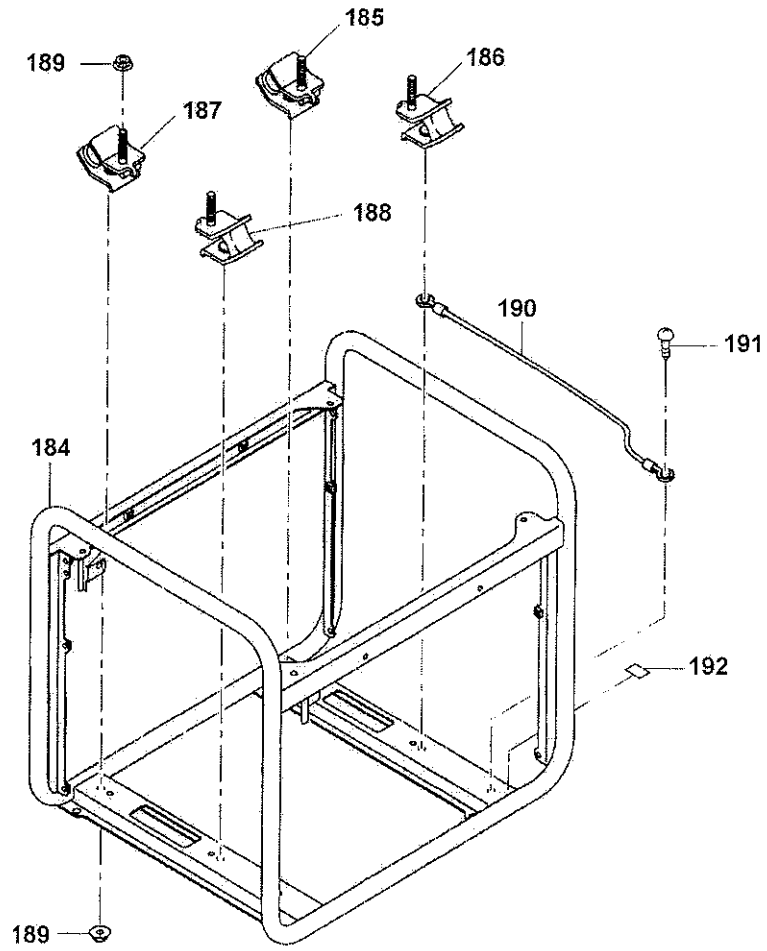






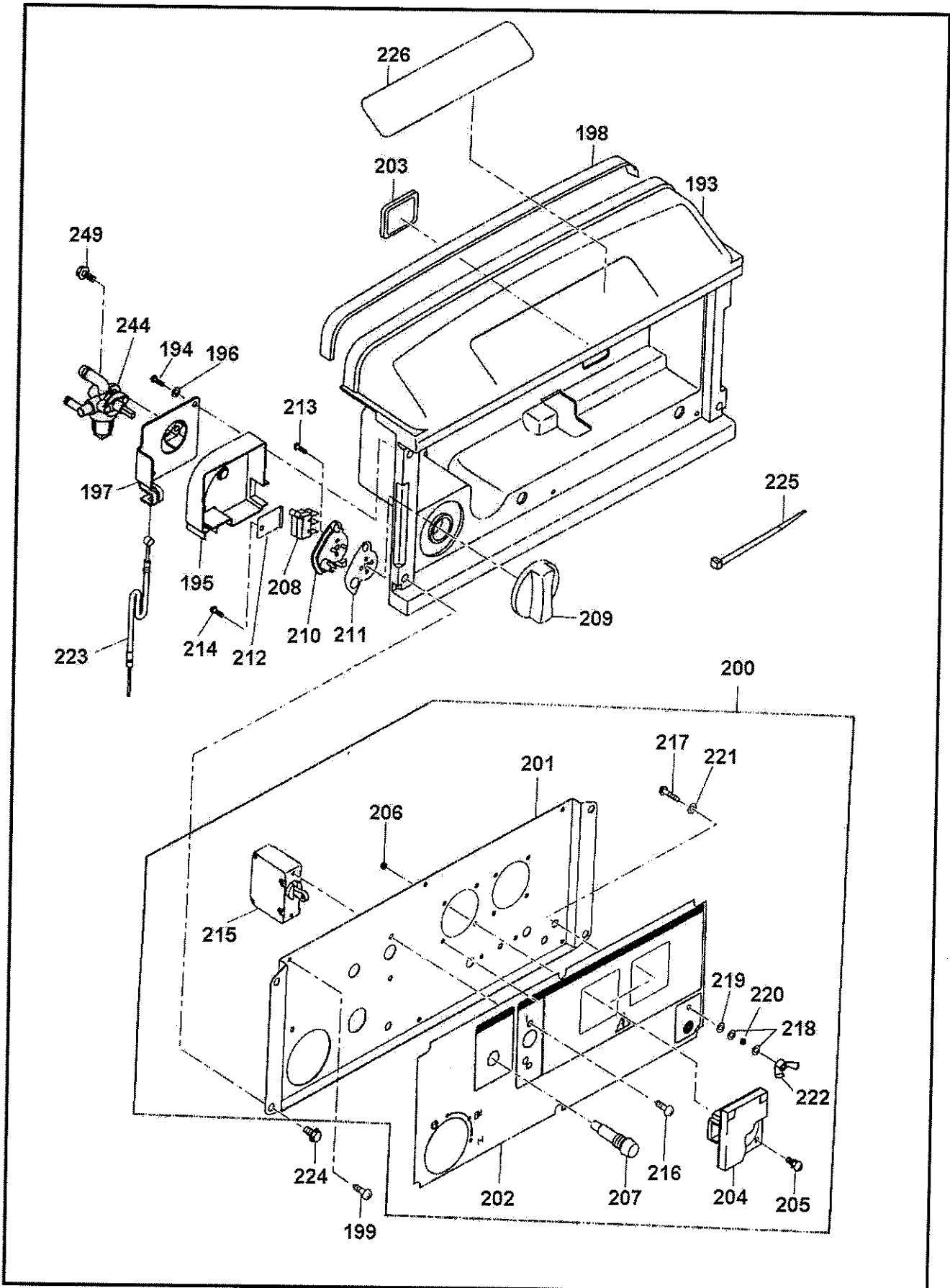


G2800L,G3200L(DEA)



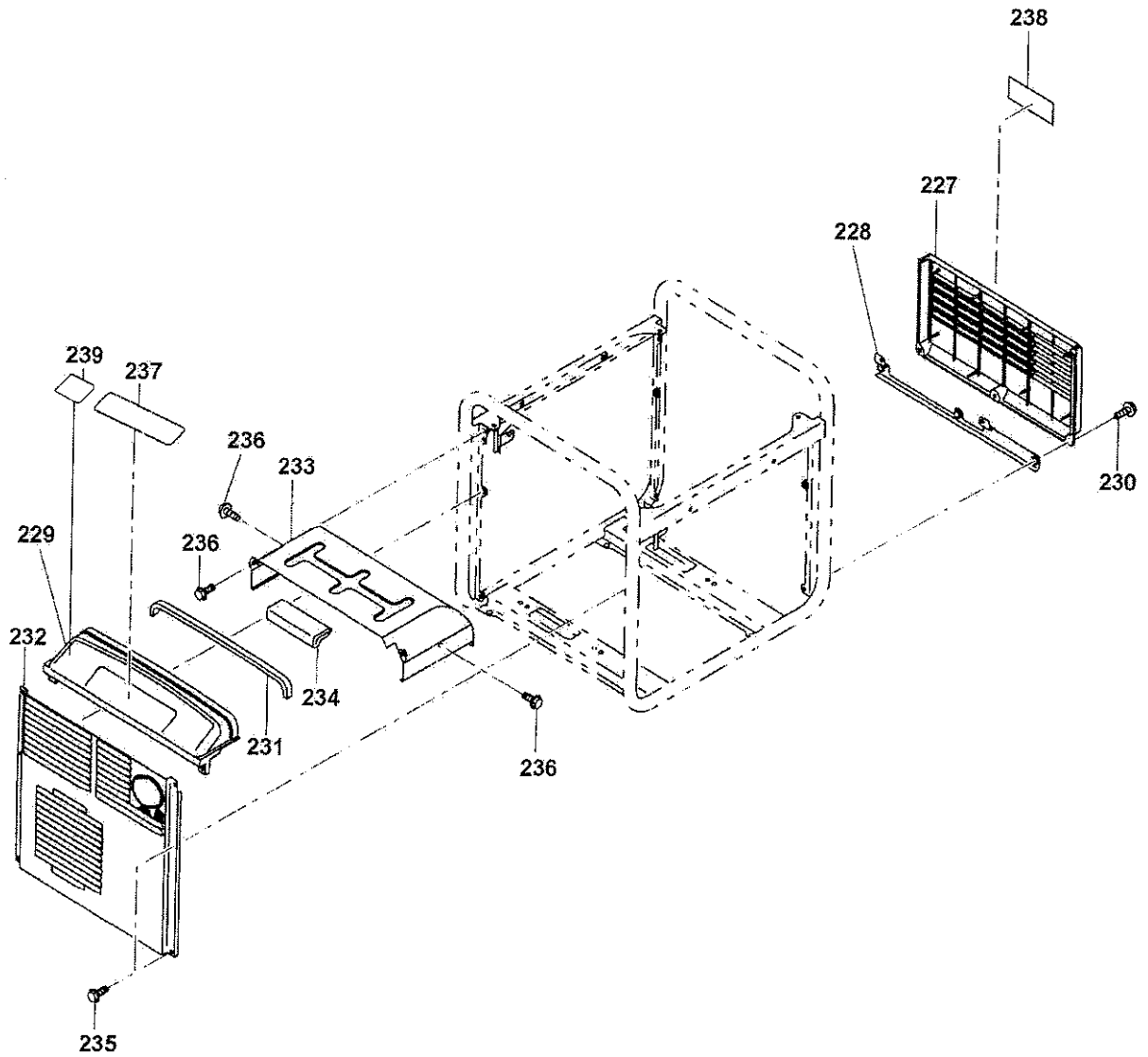


# G2800L , G3200L (DEA)



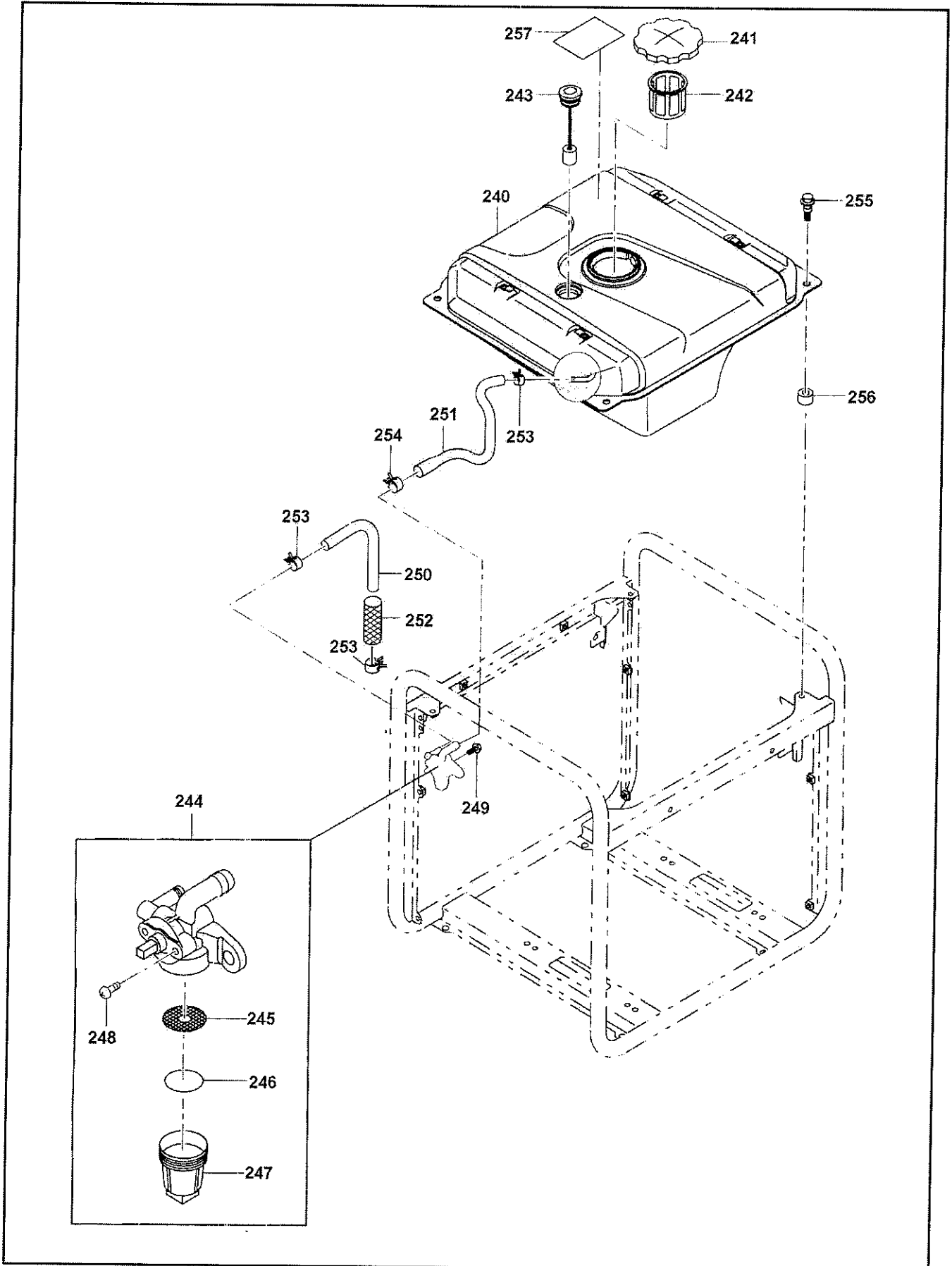


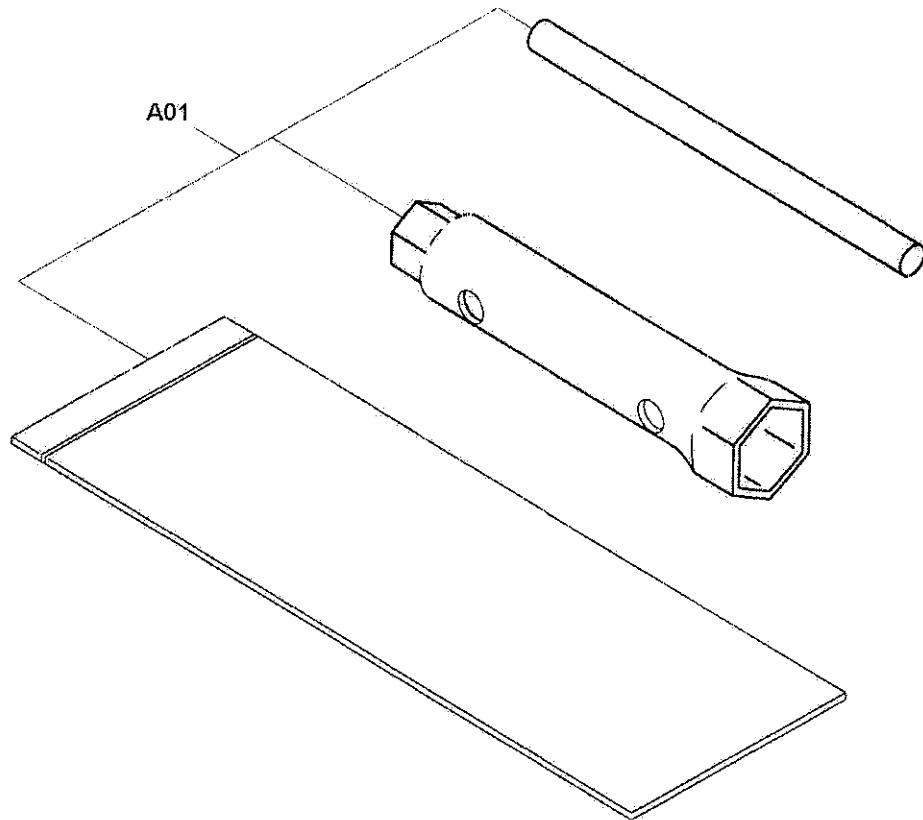
G2800L , G3200L (DEA)





G2800L, G3200L(DEA)





## \*G2800L

POS. NO		ITEM NO	DESCRIPTION	PC/SET	QTY	USED QTY
001		2771010241	CRANK CASE COMPLETE	PC.	1	1
001	D10		INC. 4-6, 8		0	0
002		2371420203	VALVE GUIDE (OVERSIZE)	PC.	1	2
003		2771601001	STEM SEAL	PC.	1	1
004		0440250200	OIL SEAL 25DX38DX7B	PC.	1	1
005		0600280021	BALL BEARING 62/28 28DX58DX16B	PC.	1	1
006		2771501103	PIPE KNOCK 10. 3DX8. 5DX14L	PC.	1	2
007		0105060351	STUD M6X1. 0X98L	PC.	1	2
008		0440060020	OIL SEAL 6DX10DX2. 5B	PC.	1	1
009		0401140030	PLUG	PC.	1	2
010		0211140020	GASKET	PC.	1	2
011		2771100131	MAIN BEARING COVER C	PC.	1	1
011	D10		INC. 12, 13		0	0
012		0440250210	OIL SEAL 25DX41. 25DX6B	PC.	1	1
013		0600250140	BALL BEARING 6205 25DX52DX15B	PC.	1	1
014		27745004H1	GOVERNOR GEAR COMPLETE	PC.	1	1
015		2774190103	GOVERNOR SLEEVE	PC.	1	1
016		2776360113	OIL GAUGE M18X1. 5 L=70+18	PC.	1	2
017		0213160020	GASKET 16DX23X1. 2T	PC.	1	2
018		0010408350	FLANGE BOLT	PC.	1	6
019		2771300501	CYLINDER HEAD COMPLETE	PC.	1	1
019	D10		INC. 2, 3, 7, 76, 77		0	0
020		2771500123	GASKET (HEAD)	PC.	1	1
021		0110080240	FLANGE BOLT M8X1. 25X16DX68L	PC.	1	4
022		0110080310	FLANGE BOLT M8X33L	PC.	1	1
023		2771550101	LOCKER COVER COMPLETE	PC.	1	1
024		2771600103	GASKET (ROCKER COVER) T=0. 7	PC.	1	1
025		2771501103	PIPE KNOCK 10. 3DX8. 5DX14L	PC.	1	2
026		0110060020	FLANGE BOLT M6X1. 0X14DX12L	PC.	1	4
027		2779900117	GASKET SET	PC.	1	1
027	D10		INC. 10, 17, 20, 24, 86, 99, 100		0	0
028		2772050101	CRANKSHAFT COMPLETE	PC.	1	1
029		0180140020	FLANGE NUT M14X1. 5X28DX12H	PC.	1	1
030		0323030010	WOODRUFF KEY	PC.	1	1
031		2772250110	CONNECTING ROD ASS' Y	PC.	1	1
031	D10		INC. 32		0	0
032		2772300103	CONNECTING ROD BOLT	PC.	1	2
033		2772330103	PISTON PIN 16DX11DX48. 5L	PC.	1	1
034		2772340103	PISTON STD (67DX40H)	PC.	1	1
034A		2772340303	PISTON 0. 25 O. S. (67DX40H)	PC.	1	1
034B		2772340403	PISTON 0. 50 O. S. (67DX40H)	PC.	1	1
035		2772350117	PISTON RING SET STD OIL 3PCS.	PC.	1	1
035A		2772350217	PISTON RING SET. 25 O. S. OIL3PCS	PC.	1	1
035B		2772350317	PISTON RING SET. 50 O. S. OIL3PCS	PC.	1	1
036		0565160010	GLIP	PC.	1	2
037		2783160111	CAM SHAFT COMPLETE	PC.	1	1
037	D10		INC. 40-43		0	0
038		2773510103	PIN (CAM SHAFT) 9DX78. 5L	PC.	1	1
039		0240060010	O RING 5. 8DX9. 6D	PC.	1	1
040		2773860103	PIN (SPRING) 4DX8DX9L	PC.	1	1
041		2773640103	RELEASE LEVER	PC.	1	1
042		2773650103	CLIP 13. 8DX20. 3DX4T	PC.	1	1
043		2793870113	RETURN SPRING	PC.	1	1
044		2793360103	VALVE SPING	PC.	1	2
045		2693370103	SPRING RETAINER	PC.	1	2
046		2773340113	INTAKE VALVE 25. 5DX5. 5DX68. 1L	PC.	1	1
047		2773350113	EXHAUST VALVE 23. 5DX5. 5DX68. 1L	PC.	1	1
048		13210KA031	COLLET VALVE	PC.	1	4
049		2773560111	TIMING CHAIN COMPLETE	PC.	1	1
050		2773691103	TENSIONER	PC.	1	1
051		2773710103	SPRING (TENSIONER)	PC.	1	1
052		2773690203	PIN (TENSIONER) 6DX13DX34L	PC.	1	1
053		2773691313	CHAIN GUIDE	PC.	1	1

\*G2800L

POS. NO.		ITEM NO.	DESCRIPTION	PC/SET	QTY	USED QTY
054		2773500201	PIN (ROCKER) COMPLETE	PC.	1	1
054	D10		INC. 55		0	0
055		0031305000	CLIP	PC.	1	1
056		2773620100	LOCKER ARM (INTAKE) ASS' Y	PC.	1	1
056	D10		INC. 58, 60		0	0
057		2773620200	ROCKER ARM (EXHAUST) ASS' Y	PC.	1	1
057	D10		INC. 59, 61		0	0
058		0149050020	ADJUST SCREW M5	PC.	1	1
059		0149050020	ADJUST SCREW M5	PC.	1	1
060		0170050030	NUT M5	PC.	1	1
061		0170050030	NUT M5	PC.	1	1
062		0110060020	FLANGE BOLT M6X1.0X14DX12L	PC.	1	1
063		2774220133	GOVERNOR SHAFT	PC.	1	1
064		0031305000	CLIP	PC.	1	1
065		2775271111	BAFFLE 1 (CASE) COMPLETE	PC.	1	1
066		0010406160	FLANGE BOLT	PC.	1	1
067		2777923201	FLYWHEEL COMPLETE	PC.	1	1
068		2777943101	IGNITION COIL COMPLETE	PC.	1	1
069		0011406250	BOLT & WASHER ASS' Y	PC.	1	2
070		27773102H1	WIRE 2 COMPLETE	PC.	1	1
071		0650140150	SPARK PLUG (BR6HS)	PC.	1	1
072		0655000270	SPARK PLUG CAP	PC.	1	1
073		2777630111	OIL SENSOR COMPLETE	PC.	1	1
074		0011406160	BOLT & WASHER ASS' Y	PC.	1	1
075		0130060260	BOLT AND WASHER ASSEMBLY	PC.	1	1
076		0105080290	MUFFLER STUD	PC.	1	1
077		0105080510	STUD	PC.	1	1
078		0110080150	FLANGE BOLT M8X12L	PC.	1	2
079		2778700103	COVER (CRANKSHAFT)	PC.	1	1
080		33B3500101	BOTTOM EXTENTION PLATE CP	PC.	1	1
081		0110080270	FLANGE BOLT M8X33L	PC.	1	2
082		0110080150	FLANGE BOLT M8X12L	PC.	1	2
083		2773040121	MUFFLER COMPLETE	PC.	1	1
084		33B5260103	BAFFLE	PC.	1	1
085		0110060160	FLANGE BOLT M6X23L	PC.	1	2
086		2773520113	GASKET (MUFFLER)	PC.	1	1
087		9802008280	FLANGE NUT M8	PC.	1	2
088		2773721000	TAIL SCREEN COMPLETE	PC.	1	1
089		0043505160	SCREW ASS' Y	PC.	1	1
090		0021805000	NUT M5	PC.	1	1
091		2773262210	AIR CLEANER ASSY	PC.	1	1
091	D10		INC. 92-95		0	0
092		2773263208	BASE COMPLETE	PC.	1	1
093		2773260408	PACKING	PC.	1	1
094		2773264308	COVER COMPLETE	PC.	1	1
095		2773266117	ELEMENT	PC.	1	1
096		0023806000	FLANGE NUT M6	PC.	1	2
097		0851080000	RUBBER PIPE 1M	PC.	1	1
098		27732902H3	INSULATOR	PC.	1	1
099		27735902H3	GASKET 1 (INSULATOR)	PC.	1	1
100		27735903H3	GASKET 2 (INSULATOR)	PC.	1	1
101		2773900401	BRACKET (A/C) 1 COMPLETE	PC.	1	1
102		0110060050	FLANGE BOLT	PC.	1	1
103		0110060150	FLANGE BOLT	PC.	1	1
104		2774710110	CHOKE BRACKET ASSEMBLY	PC.	1	1
104	D10		INC. 105, 106		0	0
105		2774670103	GASKET (CHOKE)	PC.	1	1
106		0043104080	SCREW M4X8L	PC.	1	1
107		2774230123	GOVERNOR LEVER	PC.	1	1
108		2774270101	GOVERNOR ROD COMPLETE	PC.	1	1
109		2774280113	ROD SPRING 7DX. 5DX182L N=16	PC.	1	1
110		0130060240	BOLT AND WASHER ASS' Y	PC.	1	1
111		0186060020	NUT M6X1.0X4.9H	PC.	1	1

\*G2800L

POS. NO.	ITEM NO.	DESCRIPTION	PC/SET	QTY	USED QTY
112	2774252603	GOVERNOR SPRING	PC.	1	1
113	2774800101	PLATE COMPLETE (S. ADJUST)	PC.	1	1
114	0043105550	SCREW M5X55	PC.	1	1
115	2775200113	BLOWER HOUSING	PC.	1	1
116	0011406350	BOLT AND WASHER ASSY	PC.	1	1
117	0011406450	BOLT AND WASHER ASSY	PC.	1	3
118	9804008110	STR PIN 8X10	PC.	1	2
119	2775600103	PLATE 3	PC.	1	1
120	2775040100	RECOIL STARTER ASSY	PC.	1	1
120	D10	INC. 121-128		0	0
121	2775040208	SPIRAL SPRING	PC.	1	1
122	2775040308	REEL	PC.	1	1
123	2775040808	STARTER ROPE	PC.	1	1
124	2775040908	STARTER KNOB	PC.	1	1
125	2775040408	RACHET	PC.	1	1
126	2775040508	FRICTION SPRING	PC.	1	1
127	2775040708	FRICTION PLATE	PC.	1	1
128	2775040608	RETAINING RING	PC.	1	1
129	0110060140	FLANGE BOLT M6X18L	PC.	1	3
130	2775410113	COOLING BLOWER	PC.	1	1
131	2775270203	BAFFLE 2(HEAD) COMPLETE	PC.	1	1
132	0110060020	FLANGE BOLT M6X1.0X14DX12L	PC.	1	1
133	2772440103	DRIVING SHAFT	PC.	1	1
134	0110100110	FLANGE BOLT M8X27L	PC.	1	4
135	2776230900	CARBURETOR ASSEMBLY	PC.	1	1
135	D10	INC. 136-157		0	0
136	2776253508	THROTTLE VALVE #160	PC.	1	1
137	2096235108	SCREW ASS'Y	PC.	1	1
138	2776252508	CHOKE VALVE	PC.	1	1
139	2466242008	PILOT JET (#40)	PC.	1	1
140	2776252008	CHOKE LEVER	PC.	1	1
141	2776253118	THROTTLE SHAFT-A	PC.	1	1
142	2276245108	BOLT	PC.	1	1
143	2776250008	NEEDLE	PC.	1	1
144	2776251508	PIN	PC.	1	1
145	2776250608	FLOAT BODY	PC.	1	1
146	2146245008	PACKING	PC.	1	1
147	2146254008	FLOAT CHAMBER PACKING	PC.	1	1
148	2266250608	FLOAT ASS'Y	PC.	1	1
149	2776244008	MAIN NOZZLE	PC.	1	1
150	2776240208	MAIN JET #81.3	PC.	1	1
151	2266270118	CLIP	PC.	1	1
152	2776236008	BOLT	PC.	1	1
153	2466239008	SEAL	PC.	1	1
154	2486241008	AIR JET	PC.	1	1
155	1066241008	AIR JET (PILOT)	PC.	1	1
156	2366268008	SEAL	PC.	1	1
157	2366254108	PACKING	PC.	1	1
158	KU31104311	FLOAT C/U CP3	PC.	1	1
159	0110060020	FLANGE BOLT M6X1.0X14DX12L	PC.	1	1
160	0566000250	CLAMP	PC.	1	1
161	33B2175201	STATOR COMPLETE	PC.	1	1
162	33B2105308	BOLT M5X125L	PC.	1	2
163	33B2116101	ROTOR	PC.	1	1
163	D10	INC. 164		0	0
164	32D2100108	BALL BEARING	PC.	1	1
165	33B2105508	ROTOR BOLT M10X160L	PC.	1	1
166	33B2306101	STATOR COVER	PC.	1	1
167	32D2307101	REAR COVER	PC.	1	1
168	33B2105108	STATOR BOLT M6X90L	PC.	1	4
169	33B2305101	END COVER	PC.	1	1
170	33B2105208	BOLT M5X10L	PC.	1	2
171	32D2310101	BRUSH COMPLETE	PC.	1	1

## \*G2800L

POS. NO	ITEM NO.	DESCRIPTION	PC/SET	QTY	USED QTY
172	32D2106208	SCREW M5X18L	PC.	1	1
173	33B2300100	AVR ASSEMBLY	PC.	1	1
174	32D2105508	SCREW M5X14L	PC.	1	2
175	32D2105208	BASE	PC.	1	1
176	32D2105508	SCREW M5X14L	PC.	1	2
177	32D2106108	BOLT	PC.	1	2
178	32D2105108	NUT M5	PC.	1	4
179	32D2105308	WASHER	PC.	1	2
180	32D2105408	SPRING WASHER	PC.	1	4
181	32B4500203	GROMMET	PC.	1	1
182	32D2106008	CLAMP	PC.	1	1
183	32D2106308	SCREW M5X12L	PC.	1	1
184	33B3000111	FRAME COMPLETE	PC.	1	1
185	32B3021201	MOUNT COMPLETE (L)	PC.	1	1
186	32B3021101	MOUNT COMPLETE (R)	PC.	1	1
187	32B3020201	MOUNT COMPLETE (L)	PC.	1	1
188	32B3020101	MOUNT COMPLETE (R)	PC.	1	1
189	0023808000	FLANGE NUT	PC.	1	8
190	33B4809101	EARTH WIRE COMPLETE	PC.	1	1
191	0140060121	SCREW	PC.	1	1
192	0732002651	LABEL (EARTH)	PC.	1	1
193	33B5000201	FRONT COVER (UPPER) COMPLETE	PC.	1	1
194	0150040070	TAPPING SCREW	PC.	1	2
195	33B4600103	COVER (COCK)	PC.	1	1
196	0031004000	WASHER	PC.	1	2
197	33B4601201	BRACKET (COCK)	PC.	1	1
198	34B5731103	SEAL SPONGE FC2	PC.	1	1
199	3534990408	TAPPING SCREW (M4X10MM)	PC.	1	6
200	33B4374410	CONTROL PANEL ASSEMBLY	PC.	1	1
200	D10	INC. 201, 202, 204-207, 215-222		0	0
201	33B4510901	PANEL PLATE COMPLETE	PC.	1	1
202	33B4926503	SHEET (PANEL AR) 15	PC.	1	1
203	2277500103	GROMMET	PC.	1	1
204	3584062108	AC RECEPTACLE F/GERMAN TYPE	PC.	1	2
205	0043603120	SCREW & WASHER ASS'Y	PC.	1	8
206	0021703000	NUT (M5)	PC.	1	8
207	3934066608	NEON LAMP (GREEN)	PC.	1	1
208	33K4181103	MICRO SWITCH	PC.	1	2
209	33K4201003	CONTROL DIAL	PC.	1	1
210	33K4202003	CHOKE REEL	PC.	1	1
211	33K4203013	PLATE	PC.	1	1
212	33B4601501	BRACKET	PC.	1	1
213	33K4181408	TAPPING SCREW M3X16L	PC.	1	2
214	0150040070	TAPPING SCREW	PC.	1	1
215	32B4315301	CIRCUIT BREAKER AC250V 10A	PC.	1	1
216	31B7901103	SCREW AND WASHER ASS'Y	PC.	1	2
217	3888800103	SCREW M5X18	PC.	1	1
218	3320005008	SPRING WASHER	PC.	1	2
219	3534990308	WASHER	PC.	1	1
220	3534990208	NUT	PC.	1	1
221	0033005000	LOCK WASHER	PC.	1	1
222	3534990108	WING NUT	PC.	1	1
223	33B4602101	CHOKE WIRE COMPLETE	PC.	1	1
224	0140060190	SCREW	PC.	1	4
225	0563000020	WIRE BAND	PC.	1	5
226	33B9001113	LABEL (TRADE MARK)	PC.	1	1
227	33B5010101	FRONT COVER (LOWER) COMPLETE	PC.	1	1
228	33B3550101	BRACKET (COVER) COMPLETE	PC.	1	1
229	33B5050101	REAR COVER (UPPER)	PC.	1	1
230	0110060180	FLANGE BOLT M6X1.0X14DX18L	PC.	1	3
231	34B5731103	SEAL SPONGE FC2	PC.	1	1
232	33B5620101	MUFFLER COVER COMPLETE	PC.	1	1
233	33B5605101	MUFFLER COVER (S) COMPLETE	PC.	1	1

\*G2800L

POS. NO.	ITEM NO.	DESCRIPTION	PC./SET	QTY	USED QTY
234	33B5700503	SEAL RUBBER	PC.	1	1
235	0110060180	FLANGE BOLT M6X1.0X14DX18L	PC.	1	4
236	0110060080	FLANGE BOLT M6X12L	PC.	1	4
237	33B9713213	LABEL (TRADE MARK-RC)	PC.	1	1
238	33B9515613	LABEL (SPEC)	PC.	1	1
239	0732005200	LABEL (92DB)	PC.	1	1
240	33B6010201	FUEL TANK COMPLETE	PC.	1	1
241	0430590011	FUEL TANK CAP, COMPLETE	PC.	1	1
242	0641540011	FUEL FILTER	PC.	1	1
243	0648001500	FUEL GAUGE COMPLETE	PC.	1	1
244	0642010300	FUEL STRAINER ASSY	PC.	1	1
244	D10	INC. 245-248		0	0
245	0642009320	FILTER	PC.	1	1
246	0642006410	RUBBER PACKING	PC.	1	1
247	0642007810	CUP	PC.	1	1
248	0642004790	PAN HEAD SCREW M3X8	PC.	1	2
249	0110060020	FLANGE BOLT M6X1.0X14DX12L	PC.	1	1
250	0851060000	RUBBER PIPE 6X12X160	PC.	1	1
251	33B6600103	RUBBER PIPE (TANK-COCK)	PC.	1	1
252	2511730203	MESH PROTECTOR	PC.	1	1
253	0561110020	HOSE CLAMP 11D	PC.	1	3
254	0561130010	HOSE CLAMP 13D	PC.	1	1
255	0110060220	FLANGE BOLT	PC.	1	4
256	3913900013	RUBBER (TANK)	PC.	1	4
257	33B9710213	LABEL (CAUTION)	PC.	1	1
A01	27790301H0	ACCESSORY TOOL KIT	PC.	1	1