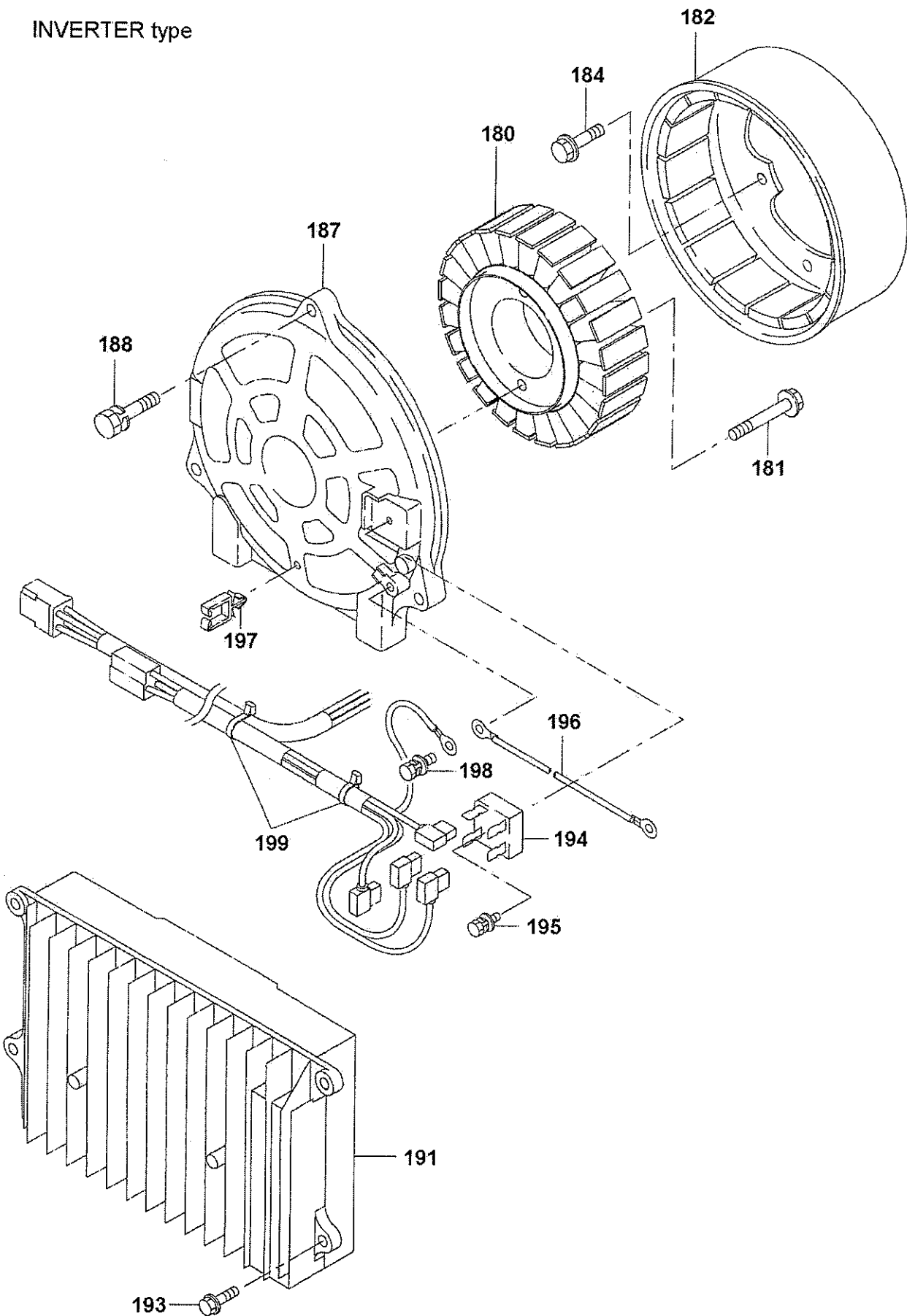
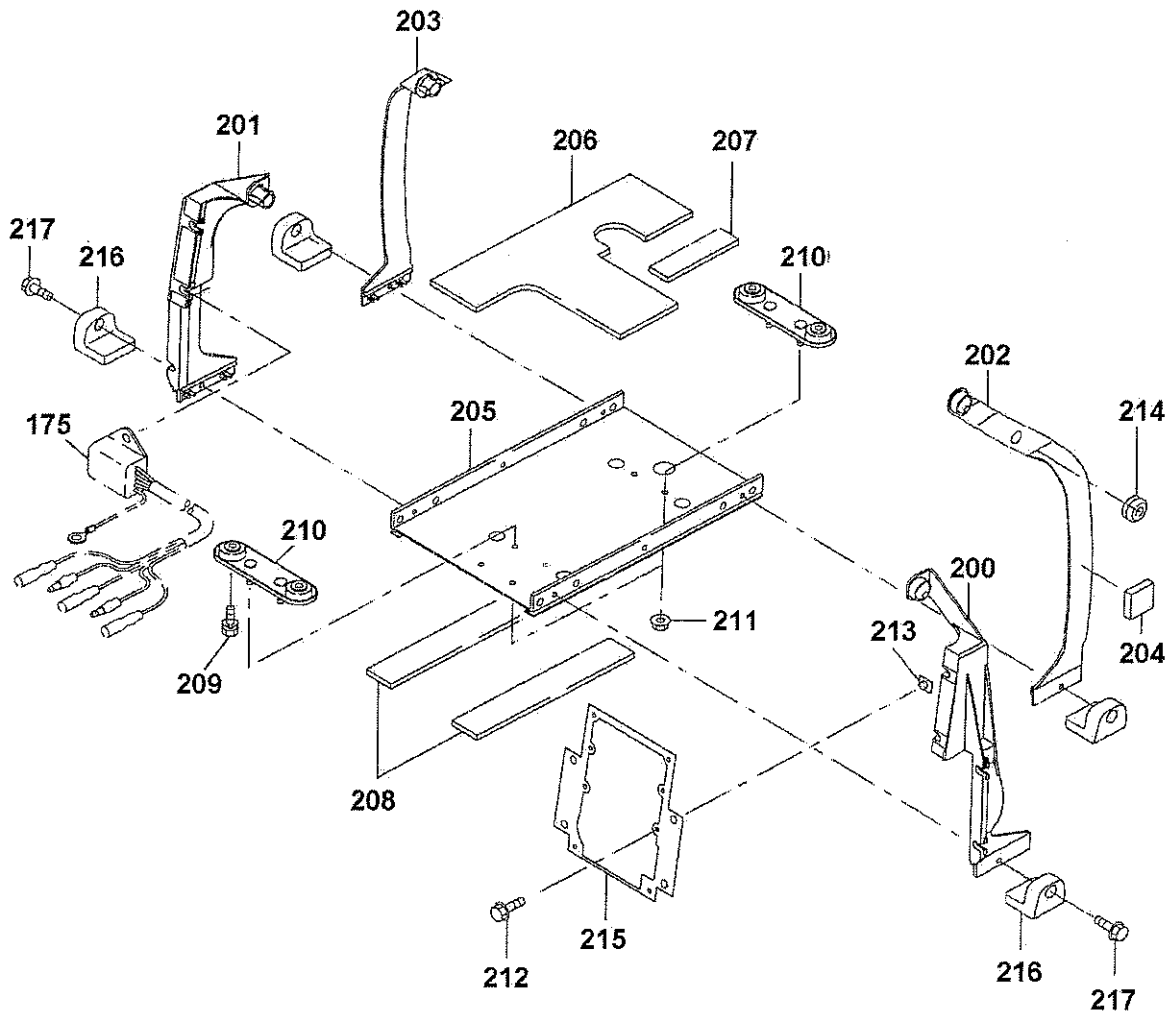
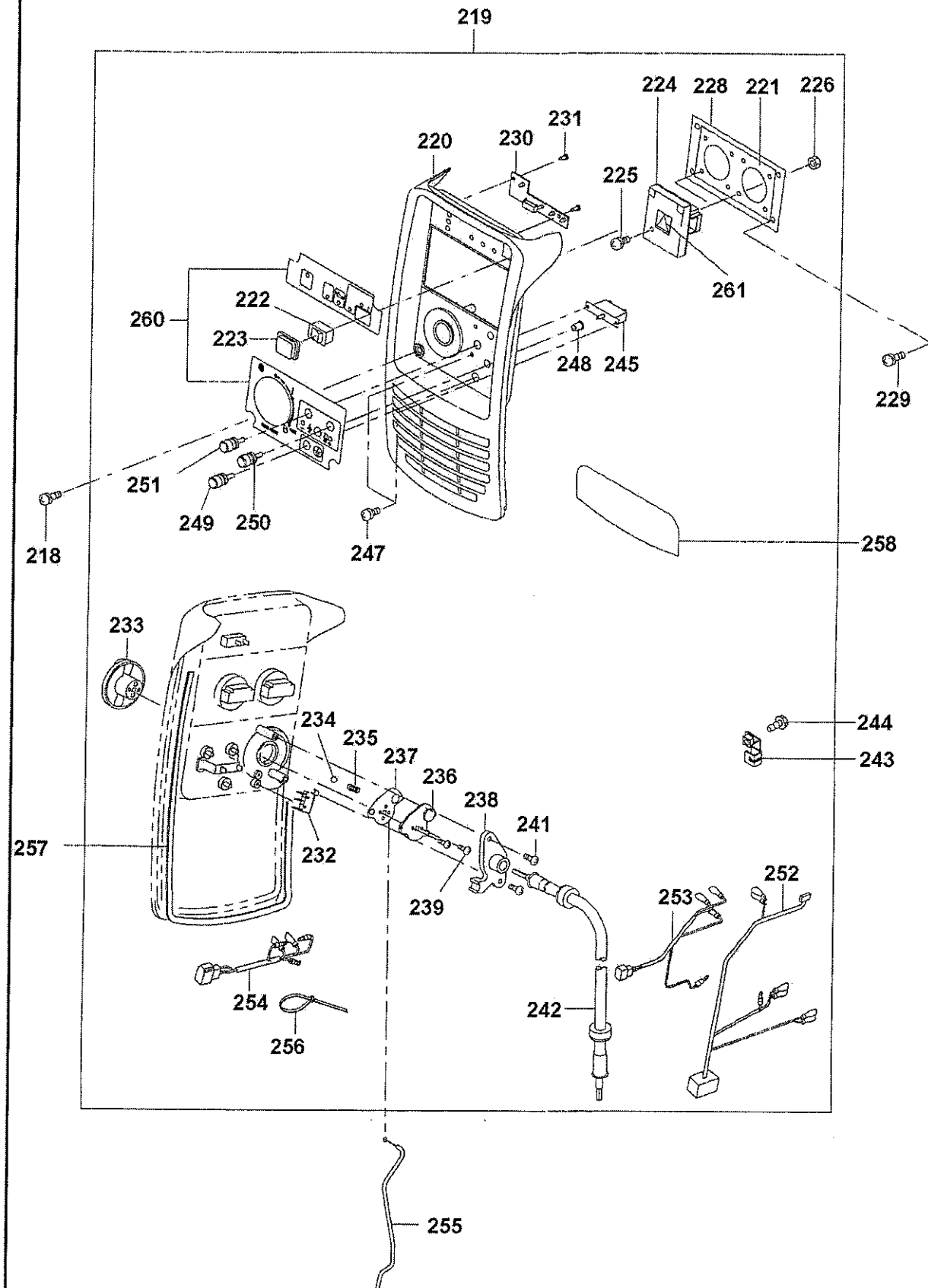


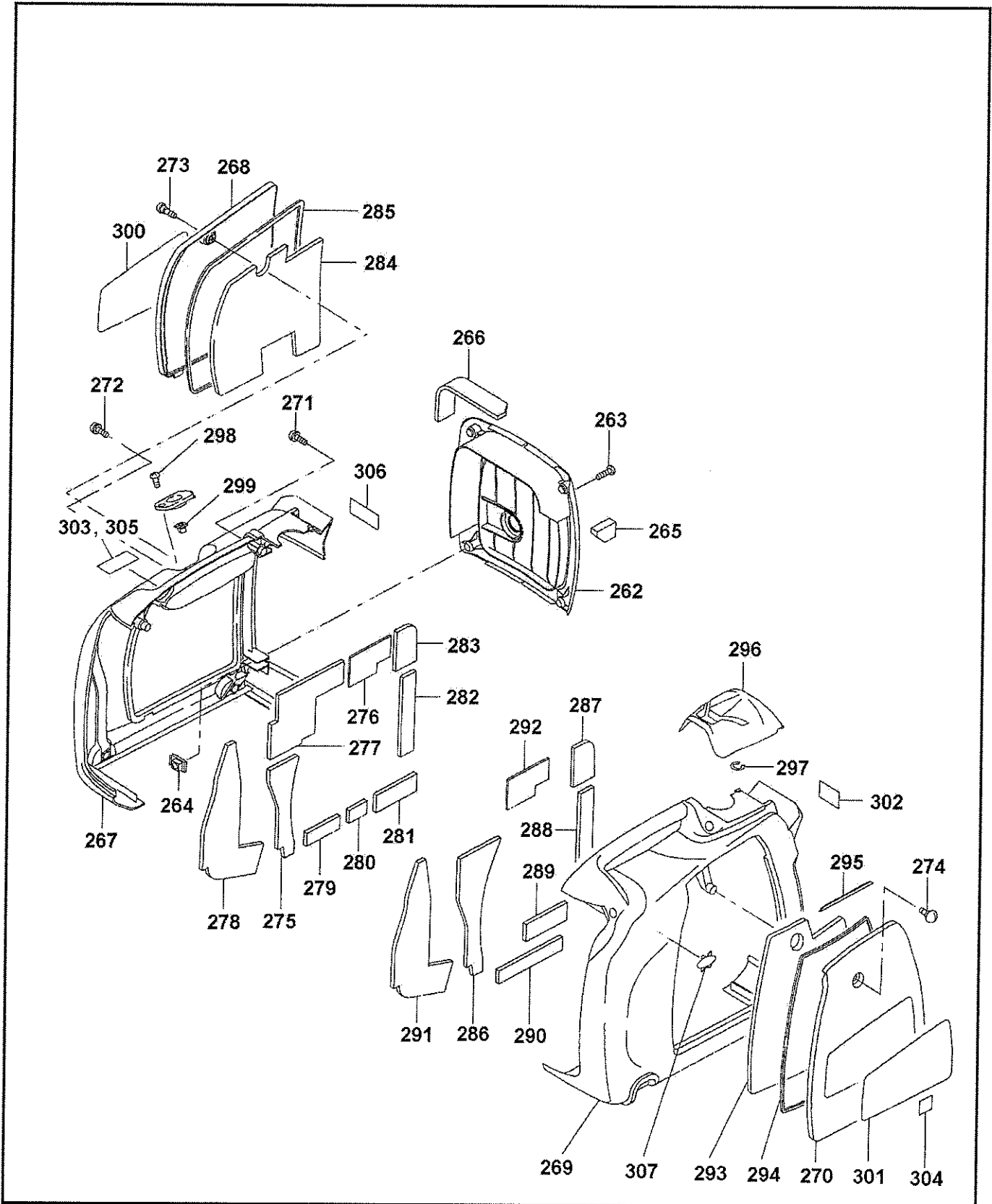
INVERTER type

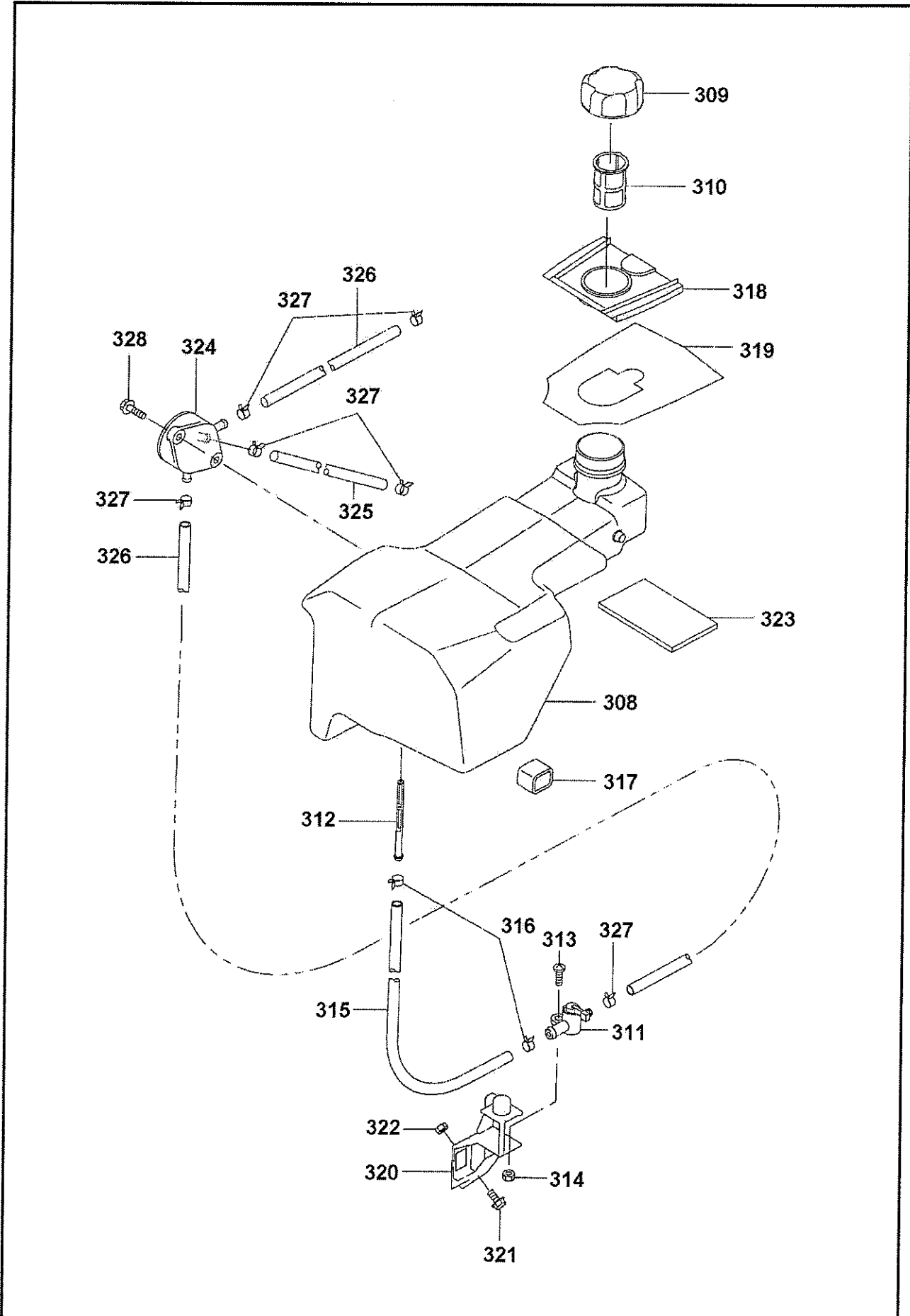


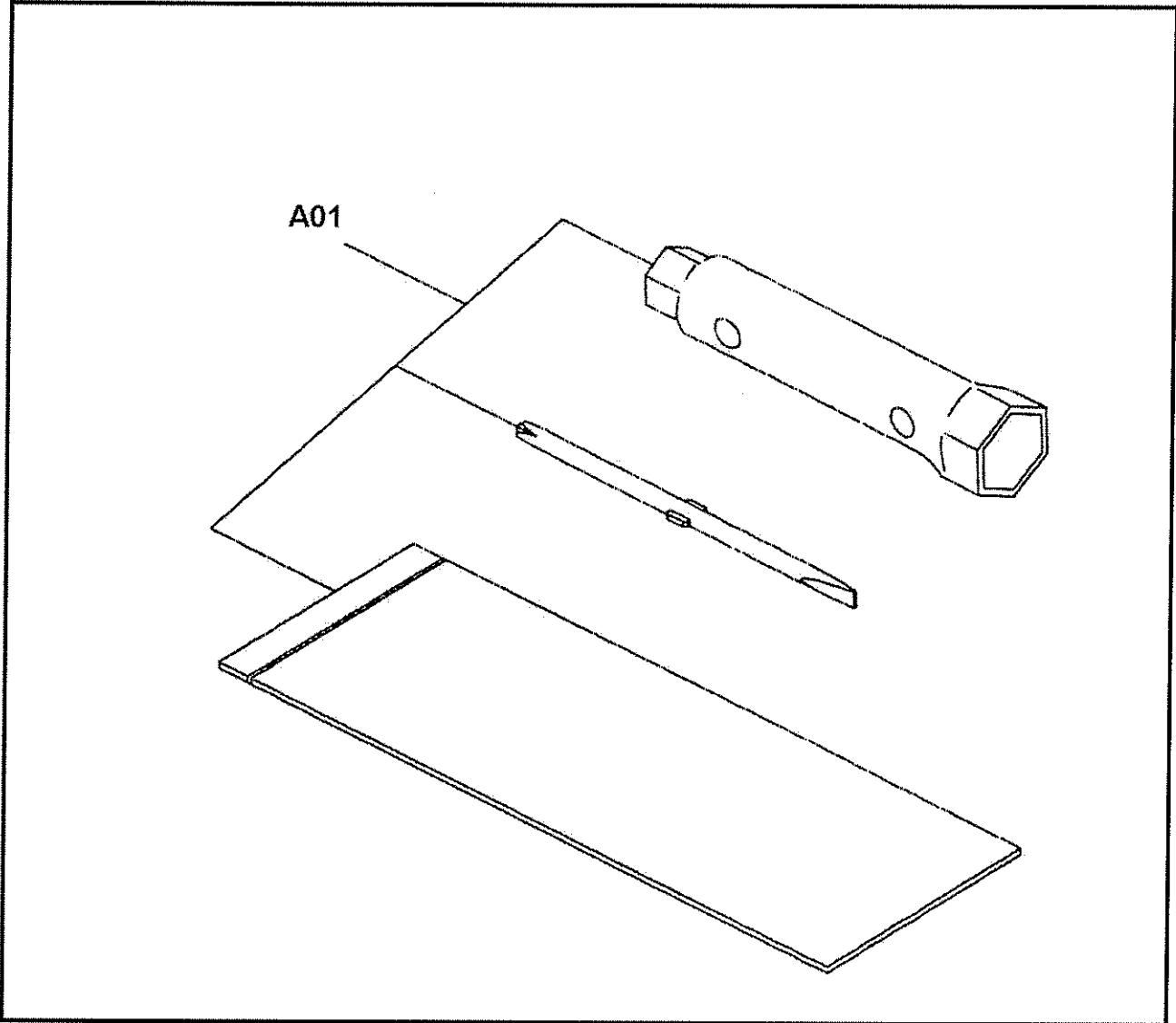


50Hz 230V DEU









\*G17001

POS. NO	ITEM NO	DESCRIPTION	PC./SET	QTY	USED QTY
1	2841010301	CRANKCASE COMPLETE	PC.	1	1
1	D10	INC. 4-6, 8		0	0
2	2371420203	VALVE GUIDE (OVERSIZE)	PC.	1	2
3	2771601001	STEM SEAL	PC.	1	1
4	0440200070	OIL SEAL 20X32X6	PC.	1	1
5	0600200140	BALL BEARING	PC.	1	1
6	0310060020	DOWEL PIN	PC.	1	2
7	0105060420	STUD	PC.	1	2
8	0440060020	OIL SEAL 6DX10DX2.5B	PC.	1	1
9	0401140030	PLUG	PC.	1	1
10	0211140020	GASKET	PC.	1	1
11	2841120101	MAIN BEARING COVER COMPLETE	PC.	1	1
11	D10	INC. 12, 13		0	0
011-1	2841120111	MAIN BEARING COVER COMPLETE	PC.	1	1
011-1	D10	INC. 12, 13		0	0
12	2301710203	PLUG (RUBBER)	PC.	1	1
13	0600200140	BALL BEARING	PC.	1	1
14	2844500301	GOVERNOR GEAR COMPLETE	PC.	1	1
15	2054190103	GOVERNOR SLEEVE	PC.	1	1
16	2306360101	OIL GAUGE COMPLETE	PC.	1	1
16	D10	INC. 17		0	0
17	0213160020	GASKET 16DX23X1.2T	PC.	1	1
18	2841600303	GASKET (BEARING COVER)	PC.	1	1
19	0110060101	FLANGE BOLT	PC.	1	8
20	2841300301	CYLINDER HEAD COMPLETE	PC.	1	1
20	D10	INC. 2, 3, 7		0	0
21	2841500103	GASKET (HEAD)	PC.	1	1
021-1	2841500113	GASKET (HEAD)	PC.	1	1
22	0110080210	FLANGE BOLT	PC.	1	3
022-1	0110080210	FLANGE BOLT	PC.	1	2
23	0110080301	FLANGE BOLT	PC.	1	1
24	2841550103	ROCKER COVER	PC.	1	1
25	2841600403	GASKET (ROCKER COVER)	PC.	1	1
26	2771501103	PIPE KNOCK 10.3DX8.5DX14L	PC.	1	2
27	0110060420	FLANGE BOLT	PC.	1	4
28	2841430101	BREATHER COVER COMPLETE	PC.	1	1
29	2841440101	BREATHER PLATE COMPLETE	PC.	1	1
30	2301600613	GASKET (TAPPET COVER)	PC.	1	1
31	2301600703	GASKET	PC.	1	1
32	0110060020	FLANGE BOLT M6X1.0X14DX12L	PC.	1	2
33	33K5831703	SPONGE CRANK	PC.	1	1
34	2849900207	GASKET SET	PC.	1	1
34	D10	INC. 10, 17, 18, 21, 25, 30, 31, 66,		0	0
34	D20	INC. 75, 76		0	0
034-1	2849900217	GASKET SET	PC.	1	1
034-1	D10	INC. 10, 17, 18, 21, 25, 30, 31, 66,		0	0
034-1	D20	INC. 75, 76, 332		0	0
35	2842050101	CRANKSHFT COMPLETE	PC.	1	1
36	0310040010	DOWEL PIN	PC.	1	1
37	0230200100	SPACER T=0.8	PC.	1	1
037A	0230200110	SPACER T=1.0	PC.	1	1
037B	0230200120	SPACER T=1.2	PC.	1	1
38	0200080030	WASHER	PC.	1	1
39	0011108250	BOLT AND WASHER ASS'Y	PC.	1	1
40	2842250120	CONNECTING ROD ASS'Y	PC.	1	1
40	D10	INC. 41		0	0
41	2842300103	CONNECTING ROD BOLT	PC.	1	2
42	2302330103	PISTON PIN	PC.	1	1
43	2742340103	PISTON 51DX31H	PC.	1	1
043A	2742340203	PISTON 0.25 OVER SIZE	PC.	1	1
043B	2742340303	PISTON 0.50 OVER SIZE	PC.	1	1

\*G17001

POS NO	ITEM NO	DESCRIPTION	PC/SET	QTY	USED	QTY
44	2842350107	PISTON RING SET STANDARD	PC.	1	1	1
044A	2742350207	PISTON RING SET 0.25 OVER SIZE	PC.	1	1	1
044B	2742350307	PISTON RING SET 0.50 OVER SIZE	PC.	1	1	1
45	0565110010	CLIP	PC.	1	1	2
46	2843170111	CAMSHAFT COMPLETE	PC.	1	1	1
46	D10	INC. 47-51		0	0	0
47	2273860123	PIN 3.8DX7.5DX14L	PC.	1	1	1
48	2843640103	RELEASE LEVER	PC.	1	1	1
49	0051904100	SPRING PIN	PC.	1	1	1
50	0031517000	OUTER SNAP RING	PC.	1	1	1
51	2743870123	RETURN SPRING	PC.	1	1	1
52	2743330103	TAPPET	PC.	1	1	2
53	2743360103	VALVE SPRING	PC.	1	1	2
54	2743370203	SPRING RETAINER	PC.	1	1	2
55	2743340103	INTAKE VALVE	PC.	1	1	1
56	2743350103	EXHAUST VALVE	PC.	1	1	1
57	13210KA031	COLLET VALVE	PC.	1	1	4
58	2743530103	PUSH ROD	PC.	1	1	2
59	2743600303	ROCKER ARM	PC.	1	1	2
60	2693580103	BOLT (PIVOT)	PC.	1	1	2
61	0170060090	NUT M6X0.75X5.1H	PC.	1	1	2
62	2743650103	GUIDE PLATE	PC.	1	1	1
63	2843020100	MUFFLER ASS'Y	PC.	1	1	1
63	D10	INC. 64, 65		0	0	0
063-1	2843020110	MUFFLER ASS'Y	PC.	1	1	1
063-1	D10	INC. 64, 65		0	0	0
64	2693760101	SPARK ARRESTER COMPLETE	PC.	1	1	1
65	0150040060	TAPPING SCREW M4X6L	PC.	1	1	1
66	2303520401	GASKET COMPLETE (EXHAUST)	PC.	1	1	2
67	0023806000	FLANGE NUT M6	PC.	1	1	2
067-1	0180060030	FLANGE NUT M6	PC.	1	1	2
68	0110080110	FLANGE BOLT M8X1.25X80L	PC.	1	1	1
69	2843410103	EXHAUST PIPE	PC.	1	1	1
70	0119060020	BOLT (SOCKET HEAD)	PC.	1	1	2
070-1	0011406160	BOLT & WASHER ASS'Y	PC.	1	1	2
71	2843263000	AIR CLEANER ASS'Y	PC.	1	1	1
71	D10	INC. 72, 73		0	0	0
72	2273600413	GASKET	PC.	1	1	1
73	2843263108	ELEMENT	PC.	1	1	1
74	2843290303	INSULATOR	PC.	1	1	1
75	2823590103	GASKET	PC.	1	1	1
76	2363590303	GASKET 2 (INSULATOR)	PC.	1	1	1
77	0023806000	FLANGE NUT M6	PC.	1	1	2
78	0110060180	FLANGE BOLT M6X1.0X14DX18L	PC.	1	1	1
79	2843210103	DUCT	PC.	1	1	1
80	0851080000	RUBBER PIPE 1M	PC.	1	1	1
81	33K5831503	SPONGE INS	PC.	1	1	1
081-1	33K5831513	SPONGE INS	PC.	1	1	1
82	33K5832103	SPONGE INS 2	PC.	1	1	1
082-1	33K5832113	SPONGE INS 2	PC.	1	1	1
83	2844230503	GOVERNOR LEVER	PC.	1	1	1
84	2304220103	GOVERNOR SHAFT	PC.	1	1	1
87	0031305000	CLIP	PC.	1	1	2
88	0011406250	BOLT & WASHER ASS'Y	PC.	1	1	1
89	0186060020	NUT M6X1.0X4.9H	PC.	1	1	1
91	2844600303	CONTROL BRACKET	PC.	1	1	1
92	0110060010	FLANGE BOLT M6X1.0X14DX8L	PC.	1	1	2
95	2845120103	BLOWER HOUSING	PC.	1	1	1
96	2845550103	GROMMET	PC.	1	1	1
97	0110080160	FLANGE BOLT	PC.	1	1	1
98	0110080302	FLANGE BOLT	PC.	1	1	3

\*G17001

POS. NO.	ITEM NO.	DESCRIPTION	PC./SET	QTY	USED QTY
99	2845360101	CYLINDER BAFFLE COMPLETE	PC.	1	1
100	0010308160	FLANGE BOLT	PC.	1	3
100-1	0010306120	FLANGE BOLT	PC.	1	1
101	0010306120	FLANGE BOLT	PC.	1	1
101-1	0110080150	FLANGE BOLT M8X12L	PC.	1	3
102	2845420103	COOLING FAN	PC.	1	1
102-1	2845420113	COOLING FAN	PC.	1	1
103	0566000260	CLAMP	PC.	1	1
104	2845022100	RECOIL STATER ASS'Y	PC.	1	1
104	D10	INC. 105-117		0	0
105	2845022408	SPIRAL SPRING	PC.	1	1
106	2845022208	REEL	PC.	1	1
107	2845023308	ROPE	PC.	1	1
108	5305002110	STARTER KNOB	PC.	1	1
109	2845022308	RACHET	PC.	1	1
110	2845022608	FRICTION SPRING	PC.	1	1
111	2845022708	RETURN SPRING	PC.	1	1
112	2845022508	FRICTION PLATE	PC.	1	1
113	2845023108	RETAINING RING C TYP	PC.	1	1
114	2845610103	ROPE GUIDE	PC.	1	1
115	33K5300103	GUIDE COMPLETE	PC.	1	1
116	2845022908	RETAINING RING E TYP	PC.	1	1
117	2845022808	RACHET GUIDE	PC.	1	1
118	0110060140	FLANGE BOLT M6X18L	PC.	1	3
119	34K4010203	SEAL PLATE 45X120X2	PC.	1	2
120	33K5831203	SPONGE BAFFLE	PC.	1	1
120-1	2845120303	SEAL SPONGE B/H	PC.	1	1
121	33K5831303	SPONGE BAFFLE 2	PC.	1	1
121-1	2845360613	INSULATION SEAT B1	PC.	1	1
122	2845360503	SEAL RUBBER	PC.	1	1
123	2846230200	CARBURETOR ASSY	PC.	1	1
123	D10	INC. 124-160		0	0
124	2846253508	THROTTLE VALVE	PC.	1	1
125	2846245508	SCREW	PC.	1	1
126	2846252508	CHOKE VALVE	PC.	1	1
127	2846245508	SCREW	PC.	1	1
128	2846242008	SLOW JET	PC.	1	1
129	2846252008	CHOKE LEVER	PC.	1	1
130	2846253108	THROTTLE SHAFT ASSY	PC.	1	1
131	2846235508	BOLT	PC.	1	1
132	2796250008	VALVE ASSEMBLY, NEEDLE	PC.	1	1
133	2846251508	PIN	PC.	1	1
134	2846255008	FLOAT BODY	PC.	1	1
135	2516235008	GASKET	PC.	1	1
136	2846254008	CHAMBER PACKING	PC.	1	1
137	2846250508	FLOAT ASSY	PC.	1	1
138	2846240008	MAIN JET	PC.	1	1
139	2846245608	SCREW	PC.	1	1
140	2846244508	SPRING (CHOKE)	PC.	1	1
141	2846256508	VINYL PIPE	PC.	1	1
142	2516266108	SCREW (DRAIN)	PC.	1	1
143	2516255908	BUSH	PC.	1	1
144	2846235308	AJUST SCREW	PC.	1	1
145	2796244508	SPRING	PC.	1	1
146	2846256108	COLLAR	PC.	1	2
147	2846231508	SPRING (THROTTLE)	PC.	1	1
148	2846245108	O RING	PC.	1	1
149	2846245008	O RING	PC.	1	1
151	2846257008	BRACKET (WIRE)	PC.	1	1
152	2846256608	VINYL PIPE	PC.	1	1
153	2846258008	MOTOR	PC.	1	1

\*G17001

POS. NO.	ITEM NO.	DESCRIPTION	PC/SET	QTY	USED QTY
154	2846257608	BRACKET (MOTOR)	PC.	1	1
155	2846245808	SCREW	PC.	1	2
156	2846245708	SCREW	PC.	1	2
157	2846255508	JOINT LEVER	PC.	1	1
158	2846244608	SPRING	PC.	1	1
159	2846257508	BRACKET	PC.	1	1
160	2846245708	SCREW	PC.	1	3
161	2847935001	FLYWHEEL COMPLETE	PC.	1	1
163	2847954001	PULSER COIL COMPLETE	PC.	1	1
165	2847956103	IGNITION COIL BRACKET	PC.	1	1
165-1	2847956101	IGNITION COIL BRACKET	PC.	1	1
167	0023808000	FLANGE NUT	PC.	1	1
168	0110060010	FLANGE BOLT M6X1.0X14DX8L	PC.	1	2
169	0650140380	SPARK PLUG NGK BMR4A	PC.	1	1
171	2847550103	GROMMET, PLUG	PC.	1	1
172	2847958103	PULSER COIL HARNESS	PC.	1	1
173	34K2110103	ENGINE HARNESS	PC.	1	1
174	2307630111	OIL SENSOR	PC.	1	1
176	2307580103	SENSOR RETAINER	PC.	1	1
177	0043506100	SCREW & WASHER ASS'Y	PC.	1	2
179	0566030010	CLAMP FOR STOP BUTTON	PC.	1	1
179-1	2267510103	CLAMP	PC.	1	1
180	34K2105101	STATOR COMPLETE	PC.	1	1
181	0110060101	FLANGE BOLT	PC.	1	2
181-1	34K2090208	FLANGE BOLT	PC.	1	2
182	34K2006101	ROTOR COMPLETE	PC.	1	1
184	0010406120	FLANGE BOLT	PC.	1	3
187	34K2090108	REAR COVER	PC.	1	1
188	0110060101	FLANGE BOLT	PC.	1	3
191	KU31070101	INVERTER UNIT ASS'Y		0	1
191-1	KU31070121	INVERTER UNIT ASS'Y	PC.	1	1
193	0110060020	FLANGE BOLT M6X1.0X14DX12L	PC.	1	4
193-1	0110060140	FLANGE BOLT M6X18L	PC.	1	4
194	34K2090308	RECTIFIER	PC.	1	1
195	34K2090408	SCREW	PC.	1	1
196	34K4190203	EARTH WIRE COMPLETE	PC.	1	1
197	34K2090608	CLAMP	PC.	1	1
198	34K2090508	SCREW	PC.	1	1
199	34K2090708	BAND	PC.	1	2
200	33K3710103	FRONT FRAME (R)	PC.	1	1
201	33K3720103	FRONT FRAME (L)	PC.	1	1
202	33K3730103	REAR FRAME (R)	PC.	1	1
203	33K3740103	REAR FRAME (L)	PC.	1	1
204	33K5841303	SPONGE REAR FRAME 35X35X10	PC.	1	1
205	34K3060103	BASE, INV	PC.	1	1
205-1	34K3060113	BASE, INV	PC.	1	1
206	33K5831003	SPONGE BASE	PC.	1	1
207	33K5831103	SPONGE BASE 2 30X110X20	PC.	1	1
208	33K5832003	SPONGE BASE 3 40X240X1.5	PC.	1	2
209	0011408200	BOLT & WASHER ASS'Y	PC.	1	4
210	33K3010101	MOUNT BASE COMPLETE	PC.	1	2
211	0023806000	FLANGE NUT M6	PC.	1	4
212	0110060020	FLANGE BOLT M6X1.0X14DX12L	PC.	1	4
213	33K3800103	NUT	PC.	1	8
214	33K3800503	GROMMET (REAR FRAME)	PC.	1	2
215	33K3760103	BACK PANEL COMPLETE	PC.	1	1
216	33K3610101	MOUNT COMPLETE	PC.	1	4
217	0110060180	FLANGE BOLT M6X1.0X14DX18L	PC.	1	4
218	0140050100	SCREW	PC.	1	4
219	34K4802100	CONTROL PANEL ASS'Y		0	1
219 D10		INC. 220-226, 228, 230-239, 241		0	0

\*G17001

POS NO.	ITEM NO.	DESCRIPTION	PC/SET	QTY	USED QTY
219	D20	INC. 242, 245, 247-254, 256, 260		0	0
219	D30	INC. 261		0	0
219-1	34K4802110	CONTROL PANEL ASS'Y	PC.	1	1
219-1	D10	INC. 220-226, 228, 230-239, 241		0	0
219-1	D20	INC. 242, 245, 247-254, 256, 260		0	0
219-1	D30	INC. 261		0	0
220	33K4010103	FRONT PANEL	PC.	1	1
221	33K4890203	FILM	PC.	1	1
222	34K4181203	ROCKER SWITCH	PC.	1	1
223	34K4181303	SWITCH COVER	PC.	1	1
224	3584062108	AC RECEPTACLE F/GERMAN TYPE	PC.	1	2
225	0043603120	SCREW & WASHER ASS'Y	PC.	1	8
226	0021703000	NUT (M5)	PC.	1	8
228	33K4070303	CONSENT BRACKET	PC.	1	1
229	0131040060	SCREW AND WASHER ASS'Y	PC.	1	4
230	KD31100101	LED INDICATOR COMPLETE	PC.	1	1
231	0150030020	TAPPING SCREW	PC.	1	2
232	33K4181103	MICRO SWITCH	PC.	1	1
233	33K4201003	CONTROL DIAL	PC.	1	1
234	33K4207103	BALL (DIAL)	PC.	1	1
235	33K4207303	SPRING (DIAL)	PC.	1	1
236	33K4202003	CHOKE REEL	PC.	1	1
237	33K4203003	PLATE	PC.	1	1
237-1	33K4203013	PLATE	PC.	1	1
238	33K4204003	WIRE PLATE	PC.	1	1
239	0150030010	TAPPING SCREW	PC.	1	2
239-1	0150040070	TAPPING SCREW	PC.	1	2
240	0150040090	TAPPING SCREW 4X10	PC.	1	2
240-1	33K4181408	TAPPING SCREW M3X16L	PC.	1	2
242	33K4205001	ROLLING WIRE COMPLETE	PC.	1	1
242-1	33K4205011	ROLLING WIRE COMPLETE	PC.	1	1
243	33K4208003	CHOKE BRACKET	PC.	1	1
244	0110060010	FLANGE BOLT M6X1.0X14DX8L	PC.	1	1
245	3524562008	CIRCUIT BREAKER (DC) 10A	PC.	1	1
247	0131030010	SCREW AND WASHER ASS'Y	PC.	1	4
248	33K4181703	BREAKER CAP	PC.	1	2
249	33K4209001	TERMINAL BOLT BLACK/RED	PC.	1	1
249-1	33K4209001	TERMINAL BOLT BLACK/RED	PC.	1	1
250	3634570108	TERMINAL BOLT (RED)	PC.	1	1
251	3634570008	TERMINAL BOLT (BLACK)	PC.	1	1
252	34K4181703	PANEL HARNESS	PC.	1	1
253	34K4181503	CONCENT HARNESS	PC.	1	1
254	34K4181603	DC OUT HARNESS	PC.	1	1
255	33K4206001	CHOKE WIRE COMPLETE	PC.	1	1
255-1	33K4206011	CHOKE WIRE COMPLETE	PC.	1	1
256	0563000020	WIRE BAND	PC.	1	4
257	33K5841103	SEAL SPONGE F 4.5X650X2.5	PC.	1	1
258	34K9210603	LABEL (FRONT)		0	1
258-1	34K9210613	LABEL (FRONT)	PC.	1	1
260	34K4188303	FILM INVERTER	PC.	1	1
261	0732004490	LABEL (ELECTRIC SHOKE)	PC.	1	1
262	33K5020103	REAR COVER	PC.	1	1
263	0131060030	SCREW AND WASHER ASS'Y	PC.	1	4
264	33K5020503	NUT	PC.	1	4
264-1	33K5020501	NUT COMPLETE	PC.	1	4
265	33K5831803	REAR COVER SPONGE 1	PC.	1	2
265-1	33K5831813	REAR COVER SPONGE 1	PC.	1	2
266	33K5831903	REAR COVER SPONGE 2	PC.	1	1
266-1	33K5831913	REAR COVER SPONGE 2	PC.	1	1
267	33K5130103	CASE BODY R	PC.	1	1
267-1	33K5130113	CASE BODY L	PC.	1	1

\*G17001

POS. NO	ITEM NO	DESCRIPTION	PC/SET	QTY	USED QTY
268	33K5131103	SIDE PANEL L	PC.	1	1
269	33K5140103	CASE BODY L	PC.	1	1
269-1	33K5140113	CASE BODY R	PC.	1	1
270	33K5141103	SIDE PANEL R	PC.	1	1
271	0043606250	SCREW AND WASHER ASS'Y	PC.	1	2
272	0043606200	SCREW M6X20	PC.	1	1
273	33K5050103	BOLT (PANEL)	PC.	1	1
274	33K5050103	BOLT (PANEL)	PC.	1	1
275	33K5830103	SPONGE CASE L	PC.	1	1
276	33K5830703	SPONGE CASE L 5	PC.	1	1
277	33K5830503	SPONGE CASE L 3	PC.	1	1
278	33K5830403	SPONGE CASE R 2	PC.	1	1
279	33K5830803	SPONGE CASE L 6 35X102X20	PC.	1	1
280	33K5830903	SPONGE CASE L 7 35X55X20	PC.	1	1
281	33K5840803	SPONGE CASE R 6 125X47X10	PC.	1	1
282	33K5840903	SPONGE CASE R 7 217X40X10	PC.	1	1
283	33K5830603	SPONGE CASE L 4	PC.	1	1
284	33K5830203	SPONGE PANEL L	PC.	1	1
285	33K5830303	SEAL SPONGE L 2.5X5X920	PC.	1	1
286	33K5840103	SPONGE CASE R	PC.	1	1
287	33K5840603	SPONGE CASE R 4	PC.	1	1
288	33K5840903	SPONGE CASE R 7 217X40X10	PC.	1	1
289	33K5840803	SPONGE CASE R 6 125X47X10	PC.	1	1
290	33K5840703	SPONGE CASE R 5 35X194X20	PC.	1	1
291	33K5840403	SPONGE CASE R 2	PC.	1	1
292	33K5840503	SPONGE CASE R 3	PC.	1	1
293	33K5840203	SPONGE PANEL R	PC.	1	1
294	33K5840303	SEAL SPONGE R 2.5X5X860	PC.	1	1
295	33K5841003	SEAL SPONGE R 2	PC.	1	1
296	33K5510103	TANK CAP COVER	PC.	1	1
296-1	33K5510113	TANK CAP COVER	PC.	1	1
297	0031306000	CLIP	PC.	1	1
298	0150040090	TAPPING SCREW 4X10	PC.	1	1
299	33K5300203	SCREW GROMMET	PC.	1	1
300	34K9210503	LABEL (MODEL) R		0	1
300-1	34K9210513	LABEL (MODEL) R	PC.	1	1
301	34K9210403	LABEL (MODEL) L		0	1
301-1	34K9210413	LABEL (MODEL) L	PC.	1	1
302	34K9160803	LABEL SPEC 40X90		0	1
302-1	34K9160823	LABEL SPEC 40X90	PC.	1	1
303	33K9400403	LABEL (CAUTION)		0	1
304	0732004520	OIL CAUTION LABEL	PC.	1	1
305	0732004510	LABEL (SYMBOL-TANK)	PC.	1	1
306	0732004500	LABEL (HOT&GAS)	PC.	1	1
307	34K9211003	LABEL E-CON	PC.	1	1
307-1	34K9211013	LABEL E-CON	PC.	1	1
308	33K6110102	FUEL TANK UNIT	PC.	1	1
309	33K6500101	FULE TANK CAP COMPLETE	PC.	1	1
310	33K61201H1	FUEL FILTER COMPLETE	PC.	1	1
310-1	33K61201J1	FUEL FILTER COMPLETE	PC.	1	1
311	33K6300100	FUEL COCK ASS'Y	PC.	1	1
311-1	33K6300110	FUEL COCK ASS'Y	PC.	1	1
312	33K6140101	FUEL STRAINER	PC.	1	1
313	0043605120	SCREW ASS'Y M5X12	PC.	1	1
314	0021805000	NUT M5	PC.	1	1
315	33K6225003	RUBBER PIPE	PC.	1	1
316	0561130010	HOSE CLAMP 13D	PC.	1	2
317	33K6410103	TANK MOUNT	PC.	1	2
318	33K6400103	NECK RUBBER	PC.	1	1
318-1	33K6400113	NECK RUBBER	PC.	1	1
319	33K6420103	NECK RUBBER 2	PC.	1	1

\*G17001

POS NO.	ITEM NO	DESCRIPTION	PC/SET	QTY	USED QTY
320	33K6300203	FUEL COCK BRACKET	PC.	1	1
321	0110060020	FLANGE BOLT M6X1.0X14DX12L	PC.	1	1
321-1	0110060030	FLANGE BOLT M6X1.0X14DX14L	PC.	1	1
322	0021906000	NUT	PC.	1	1
322-1	0021706000	NUT M6	PC.	1	1
323	33K5841203	TANK SPONGE 80X45X5	PC.	1	1
323-1	33K5841213	TANK SPONGE 80X45X5	PC.	1	1
324	33K6220100	FUEL PUMP COMPLETE	PC.	1	1
325	0851060000	RUBBER PIPE 6X12X160	PC.	1	1
326	0851060000	RUBBER PIPE 6X12X160	PC.	1	2
327	0561110020	HOSE CLAMP 11D	PC.	1	6
327-1	0561110020	HOSE CLAMP 11D	PC.	1	5
328	0150060020	TAPPING SCREW	PC.	1	2
329	0100080420	BOLT	PC.	1	1
330	0200080210	WASHER	PC.	1	1
331	2843290401	STAY BAFFLE COMPLETE	PC.	1	1
331	D10	INC. 332		0	0
332	2774670103	GASKET (CHOKE)	PC.	1	1
334	2845360303	CYLINDER BAFFLE (E/G)	PC.	1	1
335	2845360903	SEAL SPONGE BAFFLE 2	PC.	1	1
336	2845361003	SEAL SPONGE BAFFLE 3	PC.	1	2
337	33K5832303	SPONGE BAFFLE 4	PC.	1	1
338	2845360803	SEAL SPONGE BAFFLE	PC.	1	1
339	0850930000	VINYL PIPE	PC.	1	1
340	0850930000	VINYL PIPE	PC.	1	1
341	0850930000	VINYL PIPE	PC.	1	1
342	2846710103	Y CONNECTOR	PC.	1	1
343	0569000020	PURSE LOCK ASS'Y	PC.	1	1
345	34K9510203	LABEL (FRONT) 2	PC.	1	1
346	33K5832203	REAR COVER SPONGE 3	PC.	1	1
347	33K5832403	REAR COVER SPONGE 4	PC.	1	1
348	0131040091	SCREW, WASHER AY	PC.	1	1
349	0180040000	FLANGE NUT	PC.	1	1
350	0732005370	LABEL (91DB)	PC.	1	1
351	0561100030	HOSE CLAMP	PC.	1	1
A01	33K9900100	ACCESSORY TOOL KIT	PC.	1	1