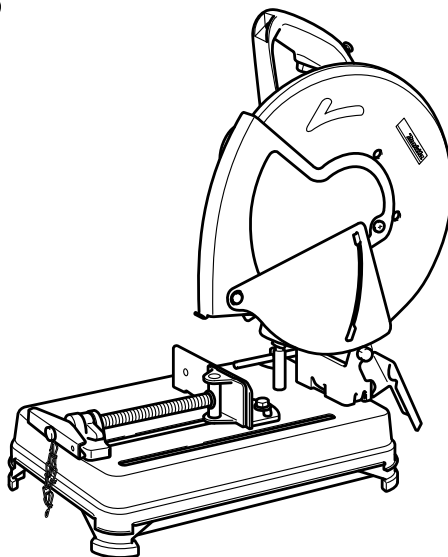
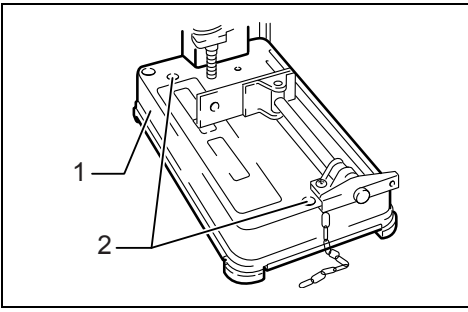




GB	Portable Cut-Off	Instruction Manual
F	Tronçonneuse portative	Manuel d'instructions
D	Trennschleifmaschine	Betriebsanleitung
I	Troncatrice portatile	Istruzioni per l'uso
NL	Afkortslijpmachine	Gebruiksaanwijzing
E	Tronzadora	Manual de instrucciones
P	Cortadora de disco abrasivo	Manual de instruções
DK	Hurtigafkorter	Brugsanvisning
GR	Φορητός κόφτης	Οδηγίες χρήσεως

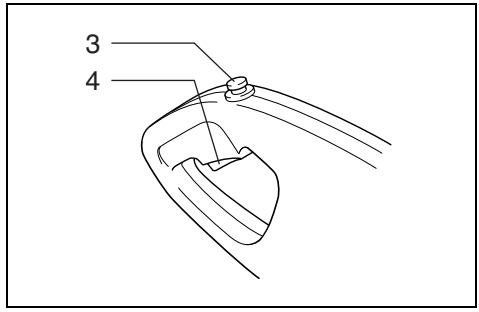
2414NB





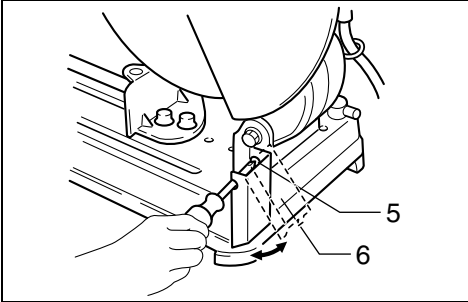
1

003800



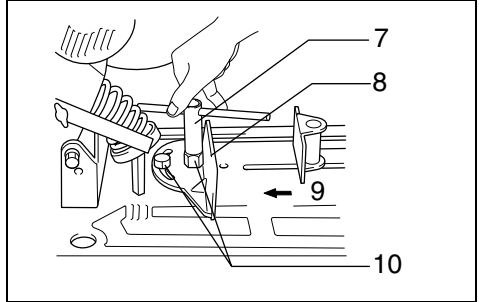
2

005269



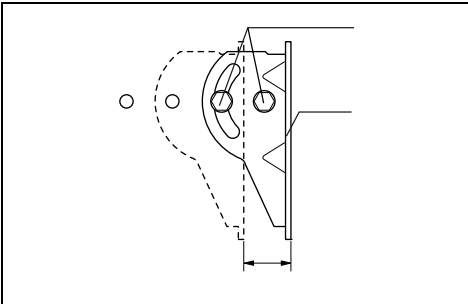
3

003756



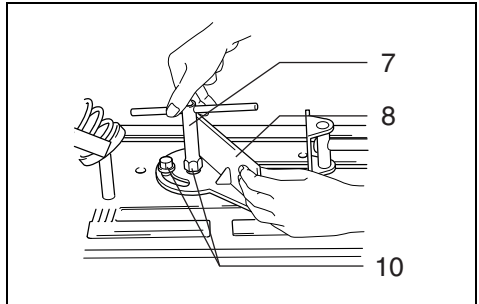
4

003758



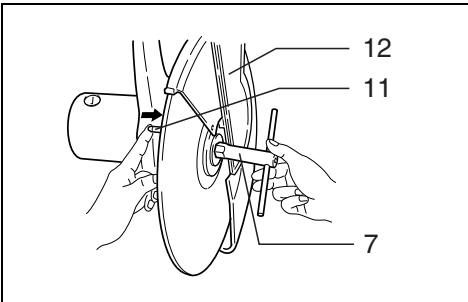
5

003759



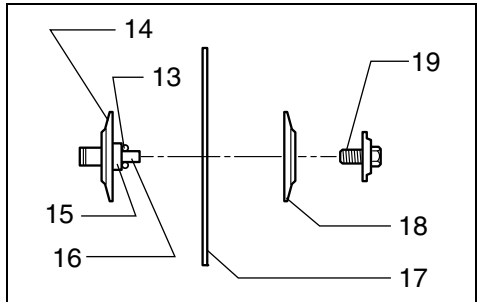
6

003760



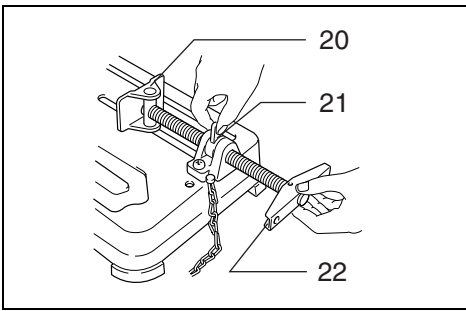
7

003761

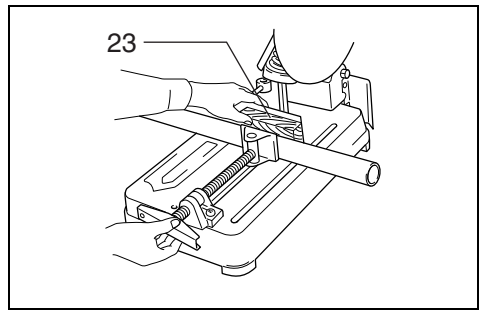


8

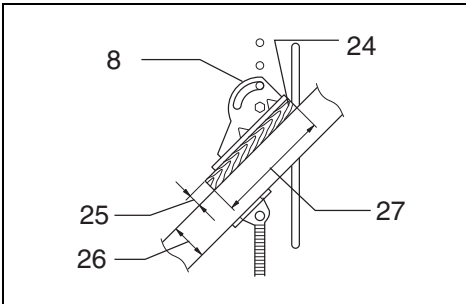
003762



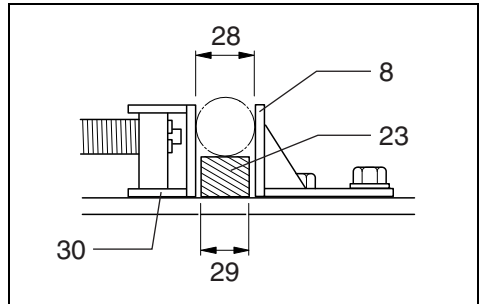
9 003763



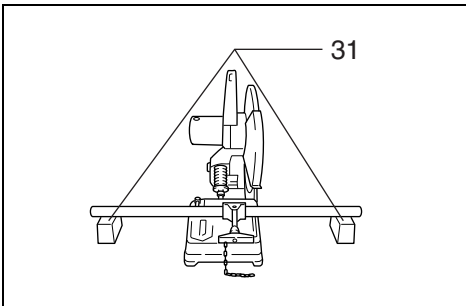
10 003764



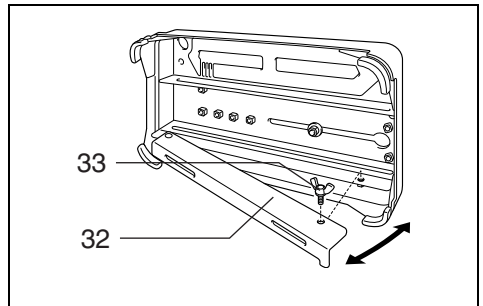
11 005342



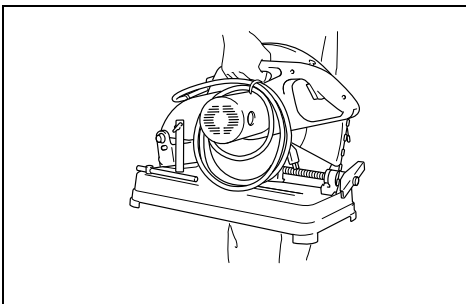
12 003766



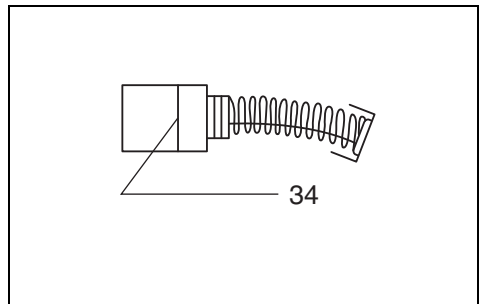
13 003767



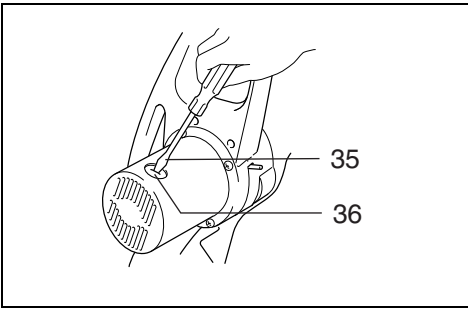
14 005272



15 003768



16 001145




17

003769

Explanation of general view

1 Base	13 O-ring	25 Over 45 mm long
2 Bolt holes	14 Inner flange	26 Over 65 mm long
3 Lock button/Lock-off button	15 Ring	27 Over 190 mm long
4 Switch trigger	16 Spindle	28 Diameter of workpiece
5 Screw	17 Cut-off wheel	29 Width of spacer block
6 Spark guard	18 Outer flange	30 Vise
7 Socket wrench	19 Hex bolt	31 Blocks
8 Guide plate	20 Vise plate	32 Under cover
9 Move	21 Vise nut	33 Wing bolt
10 Hex bolts	22 Vise handle	34 Limit mark
11 Shaft lock	23 Spacer block	35 Screwdriver
12 Safety guard	24 Straight piece of wood (Spacer)	36 Brush holder cap

SPECIFICATIONS

Model	2414NB
Wheel diameter	355 mm
Hole diameter	25.4 mm
No load speed (min ⁻¹)	3,800
Dimensions (L x W x H)	
With under cover.....	500 mm x 280 mm x 620 mm
Net weight	
With European type safety guard and under cover	18.4 kg
Safety class	 /II

- Due to our continuing program of research and development, the specifications herein are subject to change without notice.
- Specifications may differ from country to country.
- Weight according to EPTA-Procedure 01/2003

ENE007-2

Intended use

The tool is intended for cutting in masonry and ferrous materials with appropriate abrasive cut-off wheel. Follow all laws and regulations regarding dust and work area health and safety in your country.

ENF002-2

Power supply

The tool should be connected only to a power supply of the same voltage as indicated on the nameplate, and can only be operated on single-phase AC supply. They are double-insulated and can, therefore, also be used from sockets without earth wire.


ENF100-1

For public low-voltage distribution systems of between 220 V and 250 V

Switching operations of electric apparatus cause voltage fluctuations. The operation of this device under unfavorable mains conditions can have adverse effects to the operation of other equipment. With a mains impedance equal or less than 0.26 Ohms it can be presumed that there will be no negative effects. The mains socket used for this device must be protected with a fuse or protective circuit breaker having slow tripping characteristics.

GEA010-1

General Power Tool Safety Warnings

 **WARNING** Read all safety warnings and all instructions. Failure to follow the warnings and instructions may result in electric shock, fire and/or serious injury.

Save all warnings and instructions for future reference.

ENB066-1

ADDITIONAL SAFETY RULES FOR TOOL

1. **Wear protective glasses. Also wear hearing protection during extended periods of operation.**
2. **Use only wheels recommended by the manufacturer which have a maximum operating speed at least as high as “No Load RPM” marked on the tool’s nameplate. Use only fiberglass-reinforced cut-off wheels.**
3. **Check the wheel carefully for cracks or damage before operation. Replace cracked or damaged wheel immediately.**
4. **Secure the wheel carefully.**
5. **Use only flanges specified for this tool.**
6. **Be careful not to damage the spindle, flanges (especially the installing surface) or bolt, or the wheel itself might break.**
7. **Keep guards in place and in working order.**
8. **Hold the handle firmly.**
9. **Keep hands away from rotating parts.**
10. **Make sure the wheel is not contacting the workpiece before the switch is turned on.**

11. Before using the tool on an actual workpiece, let it simply run for several minutes first. Watch for flutter or excessive vibration that might be caused by poor installation or a poorly balanced wheel.
12. Watch out for flying sparks when operating. They can cause injury or ignite combustible materials.
13. Remove material or debris from the area that might be ignited by sparks. Be sure that others are not in the path of the sparks. Keep a proper, charged fire extinguisher closely available.
14. Use the cutting edge of the wheel only. Never use side surface.
15. If the wheel stops during the operation, makes an odd noise or begins to vibrate, switch off the tool immediately.
16. Always switch off and wait for the wheel to come to a complete stop before removing, securing workpiece, working vise, changing work position, angle or the wheel itself.
17. Do not touch the workpiece immediately after operation; it is extremely hot and could burn your skin.
18. Store wheels in a dry location only.

SAVE THESE INSTRUCTIONS.

INSTALLATION

Securing cut-off (Fig. 1)

This tool should be bolted with two bolts to a level and stable surface using the bolt holes provided in the tool's base. This will help prevent tipping and possible personal injury.

FUNCTIONAL DESCRIPTION

⚠ CAUTION:

- Always be sure that the tool is switched off and unplugged before adjusting or checking function on the tool.

Switch action (Fig. 2)

⚠ CAUTION:

- Before plugging in the tool, always check to see that the switch trigger actuates properly and returns to the "OFF" position when released.

For tool with lock button

To start the tool, simply pull the switch trigger. Release the switch trigger to stop. For continuous operation, pull the switch trigger and then push in the lock button. To stop the tool from the locked position, pull the switch trigger fully, then release it.

For tool with lock-off button

To prevent the switch trigger from being accidentally pulled, a lock-off button is provided.

To start the tool, depress the lock-off button and pull the switch trigger. Release the switch trigger to stop.

Spark guard (Fig. 3)

The spark guard is factory-installed with its lower edge contacting the base. Operating the tool in this position will cause many sparks to fly around. Loosen the screw and adjust the spark guard to a position at which minimum sparks will fly around.

Interval between vise and guide plate (Fig. 4 & 5)

The original spacing or interval between the vise and the guide plate is 0 – 170 mm. If your work requires wider spacing or interval, proceed as follows to change the spacing or interval.

Remove the two hex bolts which secure the guide plate. Move the guide plate as shown in the figure and secure it using the hex bolts. The following interval settings are possible:

35 – 205 mm

70 – 240 mm

⚠ CAUTION:

- Remember that narrow workpieces may not be secured safely when using the two, wider interval settings.

Setting for desired cutting angle (Fig. 6)

To change the cutting angle, follow the procedure below:

1. Loosen the two hex bolts.
2. Set the guide plate to the desired angle (0° – 45°).
3. For more accurate angle, use a protractor or triangle ruler. Keep the handle down so that the cut-off wheel extends into the base. At the same time, adjust the angle between the guide plate and the cut-off wheel with a protractor or triangle ruler.
4. Tighten the hex bolts securely. At this time, make sure that the guide rule does not move.
5. Check the angle again.

⚠ CAUTION:

- Never perform miter cuts when the guide plate is set at the 35 – 205 mm or 70 – 240 mm position.

NOTE:

- The scale on the guide plate is only a rough indication.

ASSEMBLY

⚠ CAUTION:

- Always be sure that the tool is switched off and unplugged before carrying out any work on the tool.

Removing or installing cut-off wheel (Fig. 7)

To remove the wheel, raise the safety guard. Press the shaft lock so that the wheel cannot revolve and use the socket wrench to loosen the hex bolt by turning it counterclockwise.

Then remove the hex bolt, outer flange and wheel.

(Note: Do not remove the inner flange, ring and O-ring.)

To install the wheel, follow the removal procedures in reverse. (Fig. 8)

⚠ CAUTION:

- Be sure to tighten the hex bolt securely. Insufficient tightening of the hex bolt may result in severe injury. Use the socket wrench provided to help assure proper tightening.
- Always use only the proper inner and outer flanges which are provided with this tool.
- Always lower the safety guard after replacing the wheel.

Securing workpiece (Fig. 9)

By turning the vise handle counterclockwise and then flipping the vise nut to the left, the vise is released from the shaft threads and can be moved rapidly in and out.

To grip workpieces, push the vise handle until the vise plate contacts the workpiece. Flip the vise nut to the right and then turn the vise handle clockwise to securely retain the workpiece.

⚠ CAUTION:

- Always set the vise nut to the right fully when securing the workpiece. Failure to do so may result in insufficient securing of the workpiece. This could cause the workpiece to be ejected or cause a dangerous breakage of the wheel.

When the cut-off wheel has worn down considerably, use a spacer block of sturdy, non-flammable material behind the workpiece as shown in the figure. You can more efficiently utilize the worn wheel by using the mid point on the periphery of the wheel to cut the workpiece. (Fig. 10)

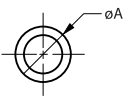
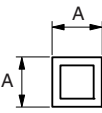
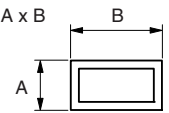
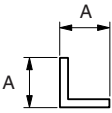
When cutting workpieces over 65 mm wide at an angle, attach a straight piece of wood (spacer) over 190 mm long x 45 mm wide to the guide plate as shown in the figure. Attach this spacer with screws through the holes in the guide plate. (Fig. 11)

If you use a spacer block which is slightly narrower than the workpiece as shown in the figure, you can also utilize the wheel economically. (Fig. 12)

Long workpieces must be supported by blocks of non-flammable material on either side so that it will be level with the base top. (Fig. 13)

Cutting capacity

Max. cutting capacity varies depending upon the cutting angle and workpiece shape. Applicable wheel diameter: 355 mm

Workpiece shape Cutting angle				
90°	115 mm	119 mm	115 mm x 130 mm 102 mm x 194 mm 70 mm x 233 mm	137 mm
45°	115 mm	106 mm	115 mm x 103 mm	100 mm

For tools with the under cover (Fig. 14)

To remove the collected dust from the under cover, place the tool with its side up and pull the under cover open after removing the wing bolt as shown in the figure. Be sure to close and secure the under cover with the wing bolt after the removal of dust.

Carrying tool (Fig. 15)

Fold down the tool head to the position where you can attach the chain to the hook on the handle.

OPERATION

Hold the handle firmly. Switch on the tool and wait until the wheel attains full speed before lowering gently into the cut. When the wheel contacts the workpiece, gradually bear down on the handle to perform the cut. When the cut is completed, switch off the tool and WAIT UNTIL THE WHEEL HAS COME TO A COMPLETE STOP before returning the handle to the fully elevated position.

⚠ CAUTION:

- Proper handle pressure during cutting and maximum cutting efficiency can be determined by the amount of sparks that is produced while cutting. Your pressure on the handle should be adjusted to produce the maximum amount of sparks. Do not force the cut by applying excessive pressure on the handle. Reduced cutting efficiency, premature wheel wear, as well as, possible damage to the tool, cut-off wheel or workpiece may result.

MAINTENANCE

⚠ CAUTION:

- Always be sure that the tool is switched off and unplugged before attempting to perform inspection or maintenance.
- Never use gasoline, benzine, thinner, alcohol or the like. Discoloration, deformation or cracks may result.

Replacing carbon brushes (Fig. 16 & 17)

Remove and check the carbon brushes regularly. Replace when they wear down to the limit mark. Keep the carbon brushes clean and free to slip in the holders. Both carbon brushes should be replaced at the same time. Use only identical carbon brushes.

Use a screwdriver to remove the brush holder caps. Take out the worn carbon brushes, insert the new ones and secure the brush holder caps.

To maintain product SAFETY and RELIABILITY, repairs, any other maintenance or adjustment should be performed by Makita Authorized Service Centers, always using Makita replacement parts.

OPTIONAL ACCESSORIES

CAUTION:

- These accessories or attachments are recommended for use with your Makita tool specified in this manual. The use of any other accessories or attachments might present a risk of injury to persons. Only use accessory or attachment for its stated purpose.

If you need any assistance for more details regarding these accessories, ask your local Makita Service Center.

- Abrasive cut-off wheels
- Socket wrench 17

NOTE:

- Some items in the list may be included in the tool package as standard accessories. They may differ from country to country.

ENG905-1

Noise

The typical A-weighted noise level determined according to EN61029:

Sound pressure level (L_{pA}): 99 dB (A)

Sound power level (L_{WA}): 109 dB (A)

Uncertainty (K): 3 dB (A)

Wear ear protection

ENG900-1

Vibration

The vibration total value (tri-axial vector sum) determined according to EN61029:

Vibration emission (a_h): 4.0 m/s²

Uncertainty (K): 1.5 m/s²

ENG901-1

- The declared vibration emission value has been measured in accordance with the standard test method and may be used for comparing one tool with another.
- The declared vibration emission value may also be used in a preliminary assessment of exposure.

WARNING:

- The vibration emission during actual use of the power tool can differ from the declared emission value depending on the ways in which the tool is used.
- Be sure to identify safety measures to protect the operator that are based on an estimation of exposure in the actual conditions of use (taking account of all parts of the operating cycle such as the times when the tool is switched off and when it is running idle in addition to the trigger time).

For European countries only

EC Declaration of Conformity

We Makita Corporation as the responsible manufacturer declare that the following Makita machine(s):

Designation of Machine:

Portable Cut-Off

Model No./ Type: 2414NB

are of series production and

Conforms to the following European Directives:

2006/42/EC

And are manufactured in accordance with the following standards or standardised documents:

EN61029

The technical documentation is kept by our authorized representative in Europe who is:

Makita International Europe Ltd.

Michigan Drive, Tongwell,

Milton Keynes, Bucks MK15 8JD, England

30.1.2009




Tomoyasu Kato
Director

Makita Corporation
3-11-8, Sumiyoshi-cho,
Anjo, Aichi, 446-8502, JAPAN

Descriptif

1	Base	13	Joint torique	26	Plus de 65 mm de long
2	Orifices pour boulon	14	Flasque intérieur	27	Plus de 190 mm de long
3	Bouton de verrouillage / Bouton de sécurité	15	Bague	28	Diamètre de la pièce
4	Gâchette	16	Arbre	29	Largeur du bloc espaceur
5	Vis	17	Meule à tronçonner	30	Étau
6	Pare-étincelles	18	Flasque extérieur	31	Blocs
7	Clé à douille	19	Boulon à six pans creux	32	Couvercle inférieur
8	Butée orientable	20	Talon de l'étau	33	Boulon à oreilles
9	Déplacer	21	Écrou de l'étau	34	Trait de limite d'usure
10	Boulons à six pans creux	22	Poignée de l'étau	35	Tournevis
11	Blocage de l'arbre	23	Bloc espaceur	36	Bouchon de porte-charbon
12	Carter de sécurité	24	Pièce de bois droite (entretoise)		
		25	Plus de 45 mm de long		

SPÉCIFICATIONS

Modèle	2414NB
Diamètre de meule	355 mm
Alésage	25,4 mm
Vitesse à vide (min ⁻¹)	3 800
Dimensions (L x P x H) Avec couvercle inférieur.....	500 mm x 280 mm x 620 mm
Poids net Avec carter de sécurité et couvercle inférieur de type européen.....	18,4 kg
Catégorie de sécurité	 II

- Étant donné l'évolution constante de notre programme de recherche et de développement, les spécifications contenues dans ce manuel sont sujettes à modification sans préavis.
- Les spécifications peuvent varier suivant les pays.
- Poids selon la procédure EPTA 01/2003

ENE007-2

Utilisations

L'outil est conçu pour la maçonnerie et la coupe des matériaux ferreux, au moyen d'un disque à tronçonner abrasif approprié. Veuillez respecter toutes les lois et réglementations en vigueur dans votre pays concernant les poussières et la zone de travail, en termes de santé et de sécurité.

ENF002-2

Alimentation

L'outil ne devra être raccordé qu'à une alimentation de la même tension que celle qui figure sur la plaque signalétique, et il ne pourra fonctionner que sur un courant secteur monophasé. Réalisé avec une double isolation, il peut de ce fait être alimenté sans mise à la terre.

ENF100-1

Pour les systèmes de distribution publics à basse tension, entre 220 V et 250 V

La mise sous tension et hors tension des appareils électriques entraîne des fluctuations de tension. L'utilisation de cet appareil dans des conditions d'alimentation électrique inadéquates peut avoir des effets néfastes sur le fonctionnement des autres équipements. Il ne devrait toutefois pas y avoir d'effets négatifs si l'impédance de l'alimentation est égale ou inférieure à 0,26 Ohms. La prise de courant utilisée pour cet appareil doit être protégée par un fusible ou un disjoncteur de protection à déclenchement lent.

GEA010-1

Consignes de sécurité générales pour outils électriques

▲ MISE EN GARDE Veuillez lire toutes les mises en garde et toutes les instructions. Il y a risque de choc électrique, d'incendie et/ou de blessure grave si les mises en garde et les instructions ne sont pas respectées.

Conservez toutes les mises en garde et instructions pour référence ultérieure.

ENB066-1

CONSIGNES DE SÉCURITÉ SUPPLÉMENTAIRES POUR L'OUTIL

1. **Portez des lunettes de protection. Portez également un serre-tête antibruit pour les travaux s'étendant sur une longue durée.**
2. **Utilisez uniquement les disques recommandés par le fabricant et dont la vitesse maximale d'utilisation est au moins aussi élevée que la vitesse indiquée pour "No Load RMP" sur la plaque signalétique de l'outil. Utilisez uniquement des meules à découper renforcées de fibre de verre.**
3. **Avant l'utilisation, vérifiez le bon état du disque : il ne doit être ni fendu ni ébréché. Si tel n'est pas le cas, il devra être remplacé immédiatement.**
4. **Fixez soigneusement le disque.**
5. **N'utilisez que les flasques spécifiés pour cet outil.**
6. **Veillez à ce que ni le disque, ni les flasques (spécialement la partie qui porte sur le disque), ni le boulon ne subissent d'avarie ou de déformation : le disque pourrait se briser.**

7. Laissez les protections en place et en ordre de marche.
8. Tenez la poignée fermement.
9. N'approchez pas les mains des pièces en mouvement.
10. Assurez-vous que le disque n'est pas en contact avec la pièce à tronçonner avant d'enclencher l'interrupteur.
11. Avant d'amener l'outil sur la pièce à tronçonner, laissez-le tourner à vide pendant quelques minutes. Vérifiez qu'il ne se produit ni flottement ni vibrations excessives qui pourraient signaler un montage défectueux ou un déséquilibre du disque à tronçonner.
12. La coupe de métaux ferreux produit des étincelles. Celles-ci sont susceptibles de mettre le feu à des produits inflammables, et de causer des brûlures.
13. Retirez tous les matériaux et débris qui pourraient s'enflammer au contact des étincelles. Veillez à ce que personne ne se trouve dans le trajet des étincelles. Gardez un extincteur en parfait état de fonctionnement à portée de main.
14. Utilisez uniquement l'arête tranchante du disque. Ne vous servez jamais de son flanc.
15. Si en cours de travail le disque cesse de tourner, s'il se met à vibrer ou s'il produit un bruit anormal, stoppez immédiatement l'outil.
16. Toute manipulation de la pièce à tronçonner comme de l'étau ne devra avoir lieu qu'après arrêt complet de la rotation du disque, et coupure de l'alimentation.
17. Ne touchez pas la pièce tout de suite après la coupe, car elle sera extrêmement chaude et pourrait vous brûler.
18. Ne remisez les disques que dans un local exempt d'humidité.

CONSERVEZ CES INSTRUCTIONS.

INSTALLATION

Fixation pour le tronçonnage (Fig. 1)

Cet outil doit être fixé à l'aide de deux boulons sur une surface horizontale et stable, au moyen des orifices à boulon prévus sur la base de l'outil. Cela contribuera à prévenir les risques de basculement de l'outil et de blessure.

DESCRIPTION DU FONCTIONNEMENT

⚠ ATTENTION :

- Assurez-vous toujours que l'outil est hors tension et débranché avant de l'ajuster ou de vérifier son fonctionnement.

Interrupteur (Fig. 2)

⚠ ATTENTION :

- Avant de brancher l'outil, vérifiez toujours que la gâchette fonctionne correctement et revient sur la position "OFF" une fois relâchée.

Pour outil avec bouton de verrouillage

Pour mettre l'outil en marche, tirez simplement sur la gâchette. Pour arrêter l'outil, relâchez la gâchette. Pour un fonctionnement continu, tirez sur la gâchette puis enfoncez le bouton de verrouillage. Pour arrêter l'outil lorsqu'il fonctionne en continu, tirez à fond sur la gâchette puis relâchez-la.

Pour outil avec bouton de sécurité

Un bouton de sécurité a été prévu pour éviter l'activation accidentelle de la gâchette.

Pour faire démarrer l'outil, enfoncez le bouton de sécurité et tirez sur la gâchette. Pour arrêter l'outil, relâchez la gâchette.

Pare-étincelles (Fig. 3)

En usine, le pare-étincelles est installé avec le bord inférieur en contact avec la base. L'outil projettera beaucoup d'étincelles s'il est utilisé avec le pare-étincelles dans cette position. Desserrez la vis et ajustez le pare-étincelles sur la position qui réduira le plus possible la projection d'étincelles.

Espace entre l'étau et la butée orientable (Fig. 4 et 5)

Initialement le dégagement ou l'espace entre l'étau et la butée orientable est de 0 à 170 mm. Si un dégagement ou espace supérieur est requis pour l'exécution du travail, procédez comme suit pour le modifier.

Retirez les deux boulons à six pans creux qui retiennent la butée orientable. Déplacez la butée orientable tel qu'illustré sur la figure, puis fixez-la à l'aide des boulons à six pans creux. Les réglages d'espace suivants sont possibles :

35 – 205 mm

70 – 240 mm

⚠ ATTENTION :

- N'oubliez pas que les deux réglages supérieurs de l'espace ne permettent pas de fixer les petites pièces de manière sûre.

Réglage sur l'angle de coupe désiré (Fig. 6)

Pour changer d'angle de coupe, procédez comme il est indiqué ci-dessous :

1. Desserrez les deux boulons à six pans creux.
2. Réglez la butée orientable selon l'angle désiré (0° à 45°).
3. Pour un angle plus précis, utilisez un rapporteur ou une équerre. Abaissez la poignée de sorte que la meule à tronçonner touche la base. Simultanément, ajustez l'angle entre la butée orientable et la meule à tronçonner avec un rapporteur ou une équerre.
4. Serrez bien les boulons à six pans creux. À cette étape, assurez-vous que la règle ne bouge pas.
5. Vérifiez à nouveau l'angle.

⚠ ATTENTION :

- N'effectuez jamais de coupes d'onglet avec la butée orientable placée en position 35 – 205 mm ou 70 – 240 mm.

NOTE :

- L'échelle sur la butée orientable n'est qu'une indication approximative.

ASSEMBLAGE

⚠ ATTENTION :

- Avant d'effectuer toute intervention sur l'outil, assurez-vous toujours qu'il est hors tension et débranché.

Retrait ou pose de la meule à tronçonner (Fig. 7)

Pour retirer la meule, soulevez le carter de sécurité. Appuyez sur le blocage de l'arbre de sorte que la meule ne puisse pas tourner, et utilisez la clé à douille pour desserrer le boulon à six pans creux en le faisant tourner dans le sens contraire des aiguilles d'une montre.

Retirez ensuite le boulon à six pans creux, le flasque extérieur et la meule. (Note : Ne retirez pas le flasque intérieur, la bague et le joint torique.)

Pour poser la meule, effectuez la procédure inverse.

(Fig. 8)

⚠ ATTENTION :

- Vous devez serrer fermement le boulon à six pans creux. Il y a risque de blessure si le boulon à six pans creux n'est pas assez serré. Utilisez la clé à douille fournie pour obtenir plus facilement un serrage adéquat.
- Utilisez toujours les flasques intérieur et extérieur adéquats fournis avec l'outil.
- Abaissez toujours le carter de sécurité après l'exécution d'un changement de meule.

Fixation de la pièce à travailler (Fig. 9)

Il est possible de libérer l'arbre de l'étau pour permettre l'entrée et la sortie rapide des filets de l'arbre ; pour cela, tournez la poignée de l'étau dans le sens contraire des aiguilles d'une montre, puis faites pivoter l'écrou de l'étau vers la gauche.

Pour immobiliser la pièce à travailler, poussez sur la poignée de l'étau jusqu'à ce que le talon de l'étau touche la pièce. Faites pivoter l'écrou de l'étau vers la droite, puis faites tourner la poignée de l'étau dans le sens des aiguilles d'une montre pour retenir la pièce.

⚠ ATTENTION :

- Tournez toujours l'écrou de l'étau complètement vers la droite pour fixer la pièce à travailler. Autrement la pièce risquera de n'être pas fixée assez solidement. Cela peut causer l'éjection de la pièce ou un bris dangereux de la meule.

Lorsque la meule de tronçonnage est très usée, placez un bloc espaceur fait d'un matériau robuste et inflammable derrière la pièce à travailler, tel qu'illustré sur la figure. Vous pourrez ainsi utiliser de manière plus efficace la meule usée, en coupant la pièce à l'aide de la partie de la périphérie située à l'aplomb de l'axe de la meule. **(Fig. 10)**

Pour couper en biseau des pièces de plus de 65 mm de large, fixez une pièce de bois droite (entretoise) d'une longueur supérieure à 190 mm et d'une largeur de 45 mm sur la butée orientable, tel qu'illustré sur la figure. Fixez cette entretoise à l'aide de vis insérées dans les orifices de la butée orientable. **(Fig. 11)**

En utilisant un bloc espaceur légèrement plus étroit que la pièce, tel qu'illustré sur la figure, vous réduirez également l'usure de la meule. **(Fig. 12)**

Les longues pièces doivent être soutenues par des blocs de matériau inflammable, placés de chaque côté, de sorte que la pièce soit de niveau par rapport au dessus de la base. **(Fig. 13)**

UTILISATION

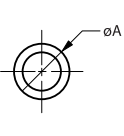
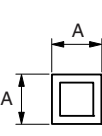
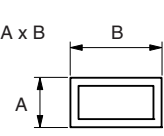
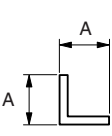
Tenez la poignée fermement. Mettez le contact et attendez que la meule atteigne sa pleine vitesse avant de l'abaisser doucement dans la ligne de coupe. Lorsque la meule entre en contact avec la pièce, pesez graduellement sur la poignée pour effectuer la coupe. Une fois la coupe terminée, coupez le contact et **ATTENDEZ L'ARRÊT COMPLET DE LA MEULE** avant de soulever complètement la poignée.

⚠ ATTENTION :

- Observez la quantité d'étincelles produites pendant la coupe pour savoir qu'elle est la pression optimale à exercer sur la poignée et comment obtenir l'efficacité de coupe maximale. Vous devez appliquer sur la poignée la pression qui produit le plus d'étincelles. N'appliquez pas une pression excessive sur la poignée. Cela réduira l'efficacité de la coupe, provoquera l'usure prématurée de la meule, et peut abîmer l'outil, la meule à tronçonner ou la pièce.

Capacité de coupe

La capacité de coupe maximale varie suivant l'angle de coupe et la forme de la pièce. Diamètre de meule applicable : 355 mm

Forme de la pièce Angle de coupe				
90°	115 mm	119 mm	115 mm x 130 mm 102 mm x 194 mm 70 mm x 233 mm	137 mm
45°	115 mm	106 mm	115 mm x 103 mm	100 mm

Pour les outils avec couvercle inférieur (Fig. 14)

Pour retirer du couvercle inférieur la poussière qui s'y est accumulée, placez l'outil sur le côté, retirez la vis à oreilles et tirez sur le couvercle inférieur pour l'ouvrir, tel qu'illustré sur la figure. Après avoir retiré la poussière, n'oubliez pas de refermer et de fixer le couvercle inférieur à l'aide du boulon à oreilles.

Transport de l'outil (Fig. 15)

Rabattez la tête de l'outil jusqu'à la position qui permet de fixer la chaîne au crochet de la poignée.

ENTRETIEN

⚠ ATTENTION :

- Assurez-vous toujours que l'outil est hors tension et débranché avant d'y effectuer tout travail d'inspection ou d'entretien.
- N'utilisez jamais d'essence, benzine, diluant, alcool ou autre produit similaire. Cela risquerait de provoquer la décoloration, la déformation ou la fissuration de l'outil.

Remplacement des charbons (Fig. 16 et 17)

Retirez et vérifiez les charbons régulièrement. Remplacez-les lorsqu'ils atteignent le trait de limite d'usure. Maintenez les charbons propres et en état de glisser librement dans les porte-charbon. Les deux charbons doivent être remplacés en même temps. Utilisez uniquement des charbons identiques. Utilisez un tournevis pour retirer les bouchons de porte-charbon. Retirez les charbons usés, insérez les neufs et fixez les bouchons de porte-charbon.

Pour maintenir la SÉCURITÉ et la FIABILITÉ du produit, les réparations, travaux d'entretien et autres réglages doivent être effectués dans un centre de service Makita agréé, exclusivement avec des pièces de rechange Makita.

ACCESSOIRES EN OPTION

⚠ ATTENTION :

- Les accessoires ou pièces supplémentaires qui suivent sont recommandés pour l'utilisation avec l'outil Makita spécifié dans ce manuel. L'utilisation de tout autre accessoire ou pièce supplémentaire peut comporter un risque de blessure. Utilisez uniquement l'accessoire ou la pièce supplémentaire dans le but spécifié.

Pour obtenir plus de détails sur ces accessoires, contactez votre Centre d'Entretien local Makita.

- Meules à tronçonner abrasives
- Clé à douille 17

NOTE :

- Il se peut que certains éléments de la liste soient compris dans l'emballage de l'outil en tant qu'accessoires standard. Ils peuvent varier d'un pays à l'autre.

Bruit

Niveau de bruit pondéré A typique, déterminé selon EN61029 :

Niveau de pression sonore (L_{pA}): 99 dB (A)

Niveau de puissance sonore (L_{WA}): 109 dB (A)

Incertitude (K): 3 dB (A)

Porter des protecteurs anti-bruit

ENG900-1

Vibrations

Valeur totale de vibrations (somme de vecteur triaxial) déterminée selon EN61029 :

Émission de vibrations (a_h): 4,0 m/s²

Incertitude (K): 1,5 m/s²

ENG901-1

- La valeur d'émission de vibrations déclarée a été mesurée conformément à la méthode de test standard et peut être utilisée pour comparer les outils entre eux.
- La valeur d'émission de vibrations déclarée peut aussi être utilisée pour l'évaluation préliminaire de l'exposition.

⚠ AVERTISSEMENT :

- L'émission de vibrations lors de l'usage réel de l'outil électrique peut être différente de la valeur d'émission déclarée, suivant la façon dont l'outil est utilisé.
- Les mesures de sécurité à prendre pour protéger l'utilisateur doivent être basées sur une estimation de l'exposition dans des conditions réelles d'utilisation (en tenant compte de toutes les composantes du cycle d'utilisation, comme par exemple le moment de sa mise hors tension, lorsqu'il tourne à vide et le moment de son déclenchement).

ENH003-13

Pour les pays d'Europe uniquement**Déclaration de conformité CE**

Makita Corporation, en tant que fabricant responsable, déclare que la ou les machines suivantes :

Désignation de la machine : Tronçonneuse portative

N° de modèle / Type : 2414NB

sont produites en série et

sont conformes aux Directives européennes suivantes :

2006/42/CE

et qu'elles sont fabriquées conformément aux normes ou documents normalisés suivants :

EN61029

La documentation technique est conservée par notre représentant agréé en Europe, à savoir :

Makita International Europe Ltd.

Michigan Drive, Tongwell,

Milton Keynes, Bucks MK15 8JD, Angleterre

30.1.2009



Tomoyasu Kato
Directeur

Makita Corporation
3-11-8, Sumiyoshi-cho,
Anjo, Aichi, 446-8502, JAPAN


Übersicht

1 Grundplatte	13 O-Ring	25 Über 45 mm lang
2 Schraubenbohrungen	14 Innenflansch	26 Über 65 mm lang
3 Arretierknopf/ Einschaltsperrknopf	15 Ring	27 Über 190 mm lang
4 Ein-Aus-Schalter	16 Spindel	28 Werkstück-Durchmesser
5 Schraube	17 Trennscheibe	29 Distanzblockbreite
6 Funkenflug-Leitblech	18 Außenflansch	30 Schraubstock
7 Steckschlüssel	19 Sechskantschraube	31 Klötze
8 Führungsplatte	20 Schraubstockbacke	32 Unterabdeckung
9 Verschieben	21 Schraubstockmutter	33 Flügelschraube
10 Sechskantschrauben	22 Schraubstockgriff	34 Verschleißgrenze
11 Spindelarretierung	23 Distanzblock	35 Schraubendreher
12 Schutzhaube	24 Gerades Stück Holz (Distanzstück)	36 Bürstenhalterkappe

TECHNISCHE DATEN

Modell

2414NB

Scheibendurchmesser	355 mm
Lochdurchmesser	25,4 mm
Leerlaufdrehzahl (min ⁻¹)	3 800
Abmessungen (L x B x H) Mit Unterabdeckung	500 mm x 280 mm x 620 mm
Nettogewicht Mit Schutzhaube und Unterabdeckung für europäische Vorschriften.....	18,4 kg
Sicherheitsklasse	 II

- Wir behalten uns vor, Änderungen im Zuge der Entwicklung und des technischen Fortschritts ohne vorherige Ankündigung vorzunehmen.
- Die technischen Daten können von Land zu Land abweichen.
- Gewicht nach EPTA-Verfahren 01/2003

EN007-2

Vorgesehene Verwendung

Das Werkzeug ist für das Schneiden von Mauerwerk und Eisenmaterial mit einer geeigneten Trennscheibe vorgesehen. Befolgen Sie alle Gesetze und Bestimmungen Ihres Landes bezüglich Staub, Gesundheit am Arbeitsplatz und Sicherheit.

ENF002-2

Netzanschluss

Die Maschine darf nur an die auf dem Typenschild angegebene Netzspannung angeschlossen werden und arbeitet nur mit Einphasen-Wechselspannung. Sie ist doppelt schutzisoliert und kann daher auch an Steckdose ohne Erdanschluss betrieben werden.

ENF100-1

Für öffentliche Niederspannungs-Verteilungssysteme mit einer Spannung zwischen 220 und 250 V

Schaltvorgänge von Elektrogeräten verursachen Spannungsschwankungen. Der Betrieb dieses Gerätes unter ungünstigen Strombedingungen kann sich nachteilig auf den Betrieb anderer Geräte auswirken. Bei einer Netzstromimpedanz von 0,26 Ohm oder weniger ist anzunehmen, dass keine negativen Effekte auftreten. Die für dieses Gerät verwendete Netzsteckdose muss durch eine Sicherung oder einen Schutzschalter mit trägen Auslösungseigenschaften geschützt sein.

GEA010-1

Allgemeine Sicherheitswarnungen für Elektrowerkzeuge

⚠️ WARNUNG Lesen Sie alle Sicherheitswarnungen und Anweisungen durch. Eine Missachtung der unten aufgeführten Warnungen und Anweisungen kann zu einem elektrischen Schlag, Brand und/oder schweren Verletzungen führen.

Bewahren Sie alle Warnungen und Anweisungen für spätere Bezugnahme auf.

ENB066-1

ZUSÄTZLICHE SICHERHEITSGESAMTREGELN FÜR DIE MASCHINE

1. Tragen Sie stets eine Schutzbrille, und bei längerem Betrieb auch einen Gehörschutz.
2. Verwenden Sie nur vom Hersteller empfohlene Schleifscheiben, deren maximale Betriebsdrehzahl mindestens so hoch wie die auf dem Typenschild der Maschine angegebene Leerlaufdrehzahl ("No Load RPM") ist. Verwenden Sie nur glasfaserverstärkte Trennschleifscheiben.
3. Überprüfen Sie die Trennscheibe vor Inbetriebnahme der Maschine sorgfältig auf Risse, Beschädigung oder Verformung. Wechseln Sie rissige, beschädigte oder verformte Scheiben unverzüglich aus.
4. Befestigen Sie die Scheibe sorgfältig.
5. Nur für diese Maschine von Makita freigegebene Flansche verwenden.

6. Achten Sie darauf, daß Spindel, Flansch (insbesondere die Montagefläche) oder die Schraube nicht beschädigt werden. Eine Beschädigung dieser Teile kann u. U. zum Bruch der Scheibe führen.
7. Die Maschine darf nur mit montierter Schutzhaube betrieben werden.
8. Halten Sie die Maschine mit beiden Händen fest.
9. Halten Sie die Hände von rotierenden Teilen fern.
10. Stellen Sie sicher, daß die Scheibe vor dem Einschalten nicht mit dem Werkstück in Berührung kommt.
11. Vor der Bearbeitung eines Werkstücks die Trennschleifmaschine im Leerlauf auf Vibrationen oder Taumelbewegungen überprüfen.
12. Auf Funkenflug achten. Die Trennschleifmaschine so positionieren, daß Funken nicht in Richtung des Bedienenden, sonstiger umstehender Personen oder leicht entzündlicher Stoffe fliegen. Feuerlöscher bereithalten!
13. Säubern Sie den Bereich von Material oder Abfällen, die durch Funken entzündet werden können. Achten Sie darauf, daß sich keine Personen in der Funkenflugbahn befinden. Halten Sie einen vorschriftsmäßig gefüllten Feuerlöscher griffbereit.
14. Bei Wahrnehmung abnormaler Vorkommnisse Maschine sofort abschalten.
15. Nur die Schnittkante der Trennscheibe, nicht die Seitenflächen verwenden.
16. Erst nachdem die Maschine abgeschaltet wurde und die Scheibe zum Stillstand gekommen ist, das Werkstück entfernen oder befestigen, den Schraubstock betätigen, die Arbeitsposition oder den Winkel ändern, oder die Scheibe auswechseln.
17. Das Werkstück nicht unmittelbar nach Beendigung der Trennarbeit berühren, da es sehr heiß ist und Verbrennungen verursachen kann.
18. Lagern Sie die Trennscheibe nur an einem trockenen Ort.

BEWAHREN SIE DIESE HINWEISE SORGFÄLTIG AUF.

INSTALLATION

Sicherung des Verschnitts (Abb. 1)

Diese Maschine sollte unter Verwendung der Schraubenbohrungen in der Grundplatte mit zwei Schrauben auf einer ebenen und stabilen Oberfläche befestigt werden. Dadurch werden Umkippen und mögliche Verletzungen vermieden.

FUNKTIONSBESCHREIBUNG

⚠ VORSICHT:

- Vergewissern Sie sich vor jeder Einstellung oder Funktionsprüfung der Maschine stets, dass sie ausgeschaltet und vom Stromnetz getrennt ist.

Schalterfunktion (Abb. 2)

⚠ VORSICHT:

- Vergewissern Sie sich vor dem Anschließen der Maschine an das Stromnetz stets, dass der Elektronikschalter ordnungsgemäß funktioniert und beim Loslassen in die AUS-Stellung zurückkehrt.

Für Maschine mit Arretierknopf

Zum Einschalten der Maschine einfach den Ein-Aus-Schalter drücken. Zum Ausschalten den Ein-Aus-Schalter loslassen. Für Dauerbetrieb den Ein-Aus-Schalter betätigen, und dann den Arretierknopf hineindrücken. Zum Ausrasten der Sperre den Ein-Aus-Schalter bis zum Anschlag hineindrücken und dann loslassen.

Für Maschine mit Einschaltsperrknopf

Um versehentliche Betätigung des Ein-Aus-Schalters zu verhindern, ist die Maschine mit einem Einschaltsperrknopf ausgestattet.

Zum Starten der Maschine den Ein-Aus-Schalter bei gedrücktem Einschaltsperrknopf betätigen. Zum Ausschalten den Ein-Aus-Schalter loslassen.

Funkenflug-Leitblech (Abb. 3)

Das Funkenflug-Leitblech wurde werksseitig so installiert, dass seine Unterkante die Grundplatte berührt. Der Betrieb der Maschine in dieser Position verursacht starken Funkenflug. Die Schraube lösen, und das Funkenflug-Leitblech auf eine Position einstellen, bei welcher der Funkenflug auf ein Minimum begrenzt wird.

Spannbereich zwischen Schraubstock und Führungsplatte (Abb. 4 und 5)

Der werksseitig eingestellte Spannbereich zwischen Schraubstock und Führungsplatte beträgt 0 – 170 mm. Ist für das Werkstück ein größerer Spannbereich erforderlich, kann dieser wie folgt eingestellt werden.

Die zwei Sechskantschrauben, mit denen die Führungsplatte befestigt ist, entfernen. Die Führungsplatte versetzen, wie in der Abbildung gezeigt, und wieder mit den Sechskantschrauben befestigen. Die folgenden Spannbereichseinstellungen sind möglich:

35 – 205 mm

70 – 240 mm

⚠ VORSICHT:

- Schmale Werkstücke lassen sich bei Verwendung der zwei breiteren Spannbereichseinstellungen möglicherweise nicht sicher einspannen.

Einstellung auf den gewünschten Schnittwinkel (Abb. 6)

Ändern Sie den Schnittwinkel nach dem folgenden Verfahren:

1. Die zwei Sechskantschrauben lösen.
2. Die Führungsplatte auf den gewünschten Winkel (0° – 45°) einstellen.
3. Um den Winkel genauer einzustellen, einen Winkelmesser oder ein Geodreieck verwenden. Den Griff tief halten, so dass die Trennscheibe in die Grundplatte hineinragt. Gleichzeitig den Winkel zwischen der Führungsplatte und der Trennscheibe mit einem Winkelmesser oder Geodreieck einstellen.
4. Die Sechskantschrauben sicher festziehen. Dabei darauf achten, dass sich das Richtlineal nicht verschiebt.
5. Den Winkel erneut überprüfen.

⚠ VORSICHT:

- Führen Sie niemals Gehrungsschnitte aus, wenn die Führungsplatte auf einen Spannbereich von 35 – 205 mm oder 70 – 240 mm eingestellt ist.

HINWEIS:

- Die Skala auf der Führungsplatte ist nur eine Grobanzeige.

MONTAGE

⚠ VORSICHT:

- Vergewissern Sie sich vor der Ausführung von Arbeiten an der Maschine stets, dass sie ausgeschaltet und vom Stromnetz getrennt ist.

Montage und Demontage der Trennscheibe (Abb. 7)

Zur Demontage der Trennscheibe die Schutzhaube anheben. Die Spindelarretierung zum Blockieren der Trennscheibe drücken, und die Sechskantschraube durch Drehen des Steckschlüssels entgegen dem Uhrzeigersinn lösen.

Dann Sechskantschraube, Außenflansch und Trennscheibe entfernen. (Hinweis: Innenflansch, Ring und O-Ring dürfen nicht entfernt werden.)

Zur Montage der Trennscheibe ist das Demontageverfahren umgekehrt anzuwenden. (Abb. 8)

⚠ VORSICHT:

- Die Sechskantschraube sicher festziehen. Unzulängliches Festziehen der Sechskantschraube kann zu schweren Verletzungen führen. Verwenden Sie den mitgelieferten Steckschlüssel, um ausreichendes Festziehen zu gewährleisten.
- Verwenden Sie nur den mit dieser Maschine gelieferten Innen- und Außenflansch.
- Schließen Sie stets die Schutzhaube nach dem Auswechseln der Trennscheibe.

Sicherung des Werkstücks (Abb. 9)

Durch Drehen des Schraubstockgriffs entgegen dem Uhrzeigersinn und anschließendes Umdrehen der Schraubstockmutter nach links wird das Schraubstockgewinde freigegeben, so dass der Schaft schnell hin und her geschoben werden kann.

Zum Einspannen von Werkstücken den Schraubstockgriff hineinschieben, bis die Schraubstockbacke das Werkstück berührt. Die Schraubstockmutter nach rechts umdrehen, und dann den Schraubstockgriff im Uhrzeigersinn drehen, um das Werkstück sicher einzuspannen.

⚠ VORSICHT:

- Die Schraubstockmutter zum Einspannen des Werkstücks stets vollständig nach rechts umdrehen. Anderenfalls wird das Werkstück möglicherweise nicht ausreichend gesichert. Dies kann zu Herausschleudern des Werkstücks oder gefährlichem Bruch der Trennscheibe führen.

Bei fortgeschrittener Abnutzung der Trennscheibe kann ein Distanzblock aus stabilem, nicht brennbarem Material hinter das Werkstück gelegt werden, wie in der Abbildung gezeigt. Um die abgenutzte Trennscheibe wirksamer einzusetzen, sollte der Mittelpunkt des Trennscheibenumfangs zum Schneiden des Werkstücks verwendet werden. (Abb. 10)

Wenn Sie Werkstücke von mehr als 65 mm Breite in einem Winkel schneiden, bringen Sie ein gerades Stück Holz (Distanzstück) von mehr als 190 mm Länge x 45 mm Breite an der Führungsplatte an, wie in der Abbildung gezeigt. Befestigen Sie dieses Distanzstück mit Schrauben in den Löchern der Führungsplatte. (Abb. 11)

Wenn Sie einen Distanzblock verwenden, der etwas schmaler als das Werkstück ist, wie in der Abbildung gezeigt, können Sie die Trennscheibe sparsamer einsetzen. (Abb. 12)

Lange Werkstücke müssen auf beiden Seiten mit Klötzen aus nicht brennbarem Material abgestützt werden, welche die gleiche Höhe wie die Oberseite der Grundplatte haben. (Abb. 13)

BETRIEB

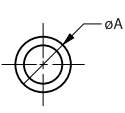
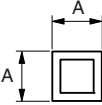
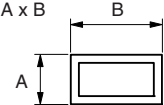
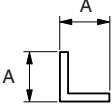
Den Handgriff sicher mit einer Hand führen und Maschine einschalten. Schalten Sie die Maschine ein, und warten Sie, bis sie ihre volle Drehzahl erreicht hat, bevor Sie die Trennscheibe auf das Werkstück absenken. Wenn die Trennscheibe das Werkstück berührt, drücken Sie den Handgriff sachte nieder, um den Schnitt auszuführen. Sobald der Schnitt beendet ist, schalten Sie die Maschine aus und WARTEN, BIS DIE TRENNSCHEIBE ZUM VOLLKOMMENEN STILLSTAND GEKOMMEN IST, bevor Sie den Handgriff wieder ganz anheben.

⚠ VORSICHT:

- Der richtige Vorschubdruck und der maximale Schnittwirkungsgrad können anhand der beim Schneiden erzeugten Funkenmenge ermittelt werden. Üben Sie soviel Vorschubdruck aus, dass die maximale Funkenmenge erzeugt wird. Führen Sie den Schnitt nicht gewaltsam aus, indem Sie übermäßigen Druck auf den Handgriff ausüben. Übermäßige Druckausübung bewirkt nicht nur eine Reduzierung des Schnittwirkungsgrads und vorzeitigen Verschleiß der Trennscheibe, sondern kann auch zu einer Beschädigung von Maschine, Trennscheibe oder Werkstück führen.

Schnittleistung

Die maximale Schnittleistung hängt vom Schnittwinkel und dem Werkstückprofil ab. Verwendbarer Scheibendurchmesser: 355 mm

Werkstückform / Schnittwinkel				
90°	115 mm	119 mm	115 mm x 130 mm 102 mm x 194 mm 70 mm x 233 mm	137 mm
45°	115 mm	106 mm	115 mm x 102 mm	100 mm

Für Maschinen mit Unterabdeckung (Abb. 14)

Um die Unterabdeckung von angesammeltem Staub zu säubern, die Maschine auf die Seite legen und die Unterabdeckung abziehen, nachdem die Flügelschraube entfernt worden ist, wie in der Abbildung gezeigt. Denken Sie daran, die Unterabdeckung nach der Staubbeseitigung wieder zu schließen und mit der Flügelschraube zu sichern.

Tragen der Maschine (Abb. 15)

Klappen Sie den Maschinenkopf so weit herunter, dass Sie die Kette in den Haken am Handgriff einhängen können.

WARTUNG

⚠ VORSICHT:

- Denken Sie vor der Durchführung von Überprüfungen oder Wartungsarbeiten stets daran, die Maschine auszuschalten und vom Stromnetz zu trennen.
- Verwenden Sie auf keinen Fall Benzin, Benzol, Verdünnern, Alkohol oder dergleichen. Solche Mittel können Verfärbung, Verformung oder Rissbildung verursachen.

Auswechseln der Kohlebürsten (Abb. 16 und 17)

Die Kohlebürsten müssen regelmäßig entfernt und überprüft werden. Wenn sie bis zur Verschleißgrenze abgenutzt sind, müssen sie erneuert werden. Halten Sie die Kohlebürsten stets sauber, damit sie ungehindert in den Haltern gleiten können. Beide Kohlebürsten sollten gleichzeitig erneuert werden. Verwenden Sie nur identische Kohlebürsten.

Die Bürstenhalterkappen mit einem Schraubendreher herausdrehen. Die abgenutzten Kohlebürsten herausnehmen, die neuen einsetzen, und dann die Bürstenhalterkappen wieder eindrehen.

Um die SICHERHEIT und ZUVERLÄSSIGKEIT dieses Produkts zu gewährleisten, sollten Reparaturen und andere Wartungs- oder Einstellarbeiten nur von autorisierten Makita-Kundendienstzentren unter ausschließlicher Verwendung von Makita-Originalersatzteilen ausgeführt werden.

SONDERZUBEHÖR

⚠ VORSICHT:

- Die folgenden Zubehörteile oder Vorrichtungen werden für den Einsatz mit der in dieser Anleitung beschriebenen Makita-Maschine empfohlen. Die Verwendung anderer Zubehörteile oder Vorrichtungen kann eine Verletzungsgefahr darstellen. Verwenden Sie Zubehörteile oder Vorrichtungen nur für ihren vorgesehenen Zweck.

Wenn Sie weitere Einzelheiten bezüglich dieser Zubehörteile benötigen, wenden Sie sich bitte an Ihre Makita-Kundendienststelle.

- Trennschleifscheiben
- Steckschlüssel 17

HINWEIS:

- Manche Teile in der Liste können als Standardzubehör im Werkzeugsatz enthalten sein. Sie können von Land zu Land unterschiedlich sein.

Geräusch

Typischer A-bewerteter Geräuschpegel ermittelt gemäß EN61029:

Schalldruckpegel (L_{pA}): 99 dB (A)
 Schalleistungspegel (L_{WA}): 109 dB (A)
 Ungewissheit (K): 3 dB (A)

Gehörschutz tragen

ENG900-1

Vibration

Vibrationsgesamtwert (Drei-Achsen-Vektorsumme) ermittelt gemäß EN61029:

Vibrationsemission (a_{p1}): 4,0 m/s²
 Ungewissheit (K): 1,5 m/s²

ENG901-1

- Der angegebene Vibrationsemissionswert wurde im Einklang mit der Standardprüfmethode gemessen und kann für den Vergleich zwischen Maschinen herangezogen werden.
- Der angegebene Vibrationsemissionswert kann auch für eine Vorbewertung des Gefährdungsgrads verwendet werden.

⚠️ WARNUNG:

- Die Vibrationsemission während der tatsächlichen Benutzung des Elektrowerkzeugs kann je nach der Benutzungsweise der Maschine vom angegebenen Emissionswert abweichen.
- Identifizieren Sie Sicherheitsmaßnahmen zum Schutz des Benutzers anhand einer Schätzung des Gefährdungsgrads unter den tatsächlichen Benutzungsbedingungen (unter Berücksichtigung aller Phasen des Arbeitszyklus, wie z. B. Ausschalt- und Leerlaufzeiten der Maschine zusätzlich zur Betriebszeit).

Nur für europäische Länder**EG-Übereinstimmungserklärung**

Wir, die Firma Makita als verantwortlicher Hersteller, erklären, dass die folgende(n) Makita-Maschine(n):

Bezeichnung der Maschine: Trennschleifmaschine
 Modell-Nr./ Typ: 2414NB

der Serienproduktion entstammen und

den folgenden europäischen Richtlinien entsprechen:
 2006/42/EG

und gemäß den folgenden Standards oder standardisierten Dokumenten hergestellt werden:

EN61029

Die technische Dokumentation befindet sich im Bestand unserer autorisierten Vertretung in Europa, nämlich:

Makita International Europe Ltd.
 Michigan Drive, Tongwell,
 Milton Keynes, Bucks MK15 8JD, England

30.1.2009




Tomoyasu Kato
 Direktor

Makita Corporation
 3-11-8, Sumiyoshi-cho,
 Anjo, Aichi, 446-8502, JAPAN

Visione generale

1 Base	13 Anello di tenuta toroidale	25 Lunghezza di oltre 45 mm
2 Fori bulloni	14 Flangia interna	26 Lunghezza di oltre 65 mm
3 Bottone di blocco/Bottone di sblocco	15 Anello	27 Lunghezza di oltre 190 mm
4 Interruttore	16 Mandrino	28 Diametro pezzo
5 Vite	17 Disco troncatore	29 Larghezza blocco distanziatore
6 Parascintille	18 Flangia esterna	30 Morsa
7 Chiave per brugole	19 Bullone a testa esagonale	31 Blocchi
8 Piastra guida	20 Piastra morsa	32 Sottofondo
9 Spostare	21 Dado morsa	33 Bullone ad alette
10 Bulloni a testa esagonale	22 Maniglia morsa	34 Segno limite
11 Blocco albero	23 Blocco distanziatore	35 Cacciavite
12 Protezione di sicurezza	24 Pezzo di legno diritto (distanziatore)	36 Tappo portaspazzole

DATI TECNICI

Modello	2414NB
Diametro disco	355 mm
Diametro foro	25,4 mm
Velocità a vuoto (min ⁻¹)	3.800
Dimensioni (Lung. x Largh. x Alt.)	
Con sottofondo	500 mm x 280 mm x 620 mm
Peso netto	
Con protezione di sicurezza di tipo europeo e sottofondo	18,4 kg
Classe di sicurezza	

- Per il nostro programma di ricerca e sviluppo continui, i dati tecnici sono soggetti a modifiche senza preavviso.
- I dati tecnici potrebbero differire a seconda del paese di destinazione del modello.
- Peso in base alla procedura EPTA 01/2003

GEA010-1

Avvertimenti generali per la sicurezza dell'utensile elettrico

⚠ AVVERTIMENTO Leggere tutti gli avvertimenti per la sicurezza e le istruzioni. La mancata osservanza degli avvertimenti e delle istruzioni può causare scosse elettriche, incendio e/o gravi incidenti.

Conservare tutti gli avvertimenti e le istruzioni per riferimenti futuri.

ENB066-1

Utilizzo previsto

L'utensile va usato per il taglio di muratura e materiali ferrosi mediante l'uso di un'ideale lama circolare abrasiva. Seguire tutte le leggi e le regole riguardo alla polvere e la salute nell'area di lavoro e la sicurezza del proprio Paese.

ENE007-2

ENF002-2

Alimentazione

L'utensile deve essere collegato ad una presa di corrente con la stessa tensione indicata sulla targhetta del nome, e può funzionare soltanto con la corrente alternata monofase. Esso ha un doppio isolamento per cui può essere usato con le prese di corrente sprovviste della messa a terra.

ENF100-1

Per i sistemi della rete pubblica di distribuzione a bassa tensione da 220 V a 250 V

Le operazioni di accensione e spegnimento degli apparecchi elettrici causano fluttuazioni di tensione. L'utilizzo di questo dispositivo in condizioni inadatte di corrente potrebbe avere effetti negativi sul funzionamento di altri apparecchi. Con una impedenza delle rete uguale o inferiore a 0,26 ohm, si può presumere che non ci siano effetti negativi. La presa di corrente usata per questo dispositivo deve essere protetta da un fusibile o da un interruttore di circuito con basse caratteristiche di scatto.

REGOLE ADDIZIONALI DI SICUREZZA PER L'UTENSILE

1. Usate occhiali di protezione. Usate anche paraorecchi durante i lunghi periodi di lavorazione.
2. Usate soltanto i dischi raccomandati dal produttore, con una velocità operativa massima alta per lo meno quanto la velocità al minuto a vuoto (No Load RPM) indicata sulla targhetta dell'utensile. Usate esclusivamente dischi in fibra di vetro rinforzata.
3. Prima dell'uso, controllate con cura che il disco non sia crepato o danneggiato. Sostituite immediatamente ogni disco crepato o danneggiato.
4. Fissate saldamente il disco.
5. Usate soltanto le flange specificate per questo utensile.
6. State attenti a non danneggiare il mandrino, le flange (soprattutto la superficie di installazione) o il bullone, perché altrimenti il disco stesso potrebbe rompersi.
7. Mantenete le protezioni al loro posto e in buone condizioni di lavorazione.

8. Tenete saldamente il manico.
9. Tenete le mani lontane dalle parti rotanti.
10. Prima di schiacciare il grilletto per accendere l'utensile, accertatevi che il disco non faccia contatto con il pezzo da lavorare.
11. Prima di usare l'utensile sul pezzo da lavorare, lasciatelo girare per alcuni minuti. Controllate se ci sono sfarfallamenti o vibrazioni eccessive, che potrebbero indicare che il disco è stato installato male o che è equilibrato male.
12. Fate attenzione alle scintille sprigionate durante l'uso, perché possono causare ferite o incendiare materiali combustibili.
13. Rimuovete il materiale combustibile dall'area dove possono cadere le scintille. Accertatevi inoltre che non ci siano persone vicine. Tenete sempre a portata di mano un estintore appropriato.
14. Usate soltanto il filo del disco e mai la sua superficie laterale.
15. Se durante l'uso il disco si arresta, fa uno strano rumore o comincia a vibrare, spegnete immediatamente l'utensile.
16. Spegnete sempre l'utensile e aspettate che il disco si fermi completamente prima di rimuovere o di fissare un pezzo da lavorare, di regolare la morsa e di cambiare la posizione di lavorazione o l'angolo del disco.
17. Non toccate il pezzo immediatamente dopo la sua lavorazione, perché potrebbe essere estremamente caldo e causare bruciature.
18. Conservate i dischi soltanto in un luogo asciutto.

CONSERVATE QUESTE ISTRUZIONI.

INSTALLAZIONE

Fissaggio della troncatrice (Fig. 1)

Questo utensile deve essere fissato con due bulloni su una superficie piana e stabile usando i fori per bulloni situati sulla base dell'utensile. Ciò evita che l'utensile si rovesci causando potenziali incidenti.

DESCRIZIONE DEL FUNZIONAMENTO

⚠ ATTENZIONE:

- Accertarsi sempre che l'utensile sia spento e staccato dalla presa di corrente prima di regolarlo o di controllarne il funzionamento.

Funzionamento dell'interruttore (Fig. 2)

⚠ ATTENZIONE:

- Prima di collegare l'utensile alla presa di corrente, controllare sempre che l'interruttore funzioni correttamente e che ritorni sulla posizione "OFF" quando viene rilasciato.

Utensile con bottone di blocco

Per avviare l'utensile, schiacciare semplicemente l'interruttore. Rilasciare l'interruttore per fermarlo. Per il funzionamento continuo, schiacciare l'interruttore e spingere dentro il bottone di blocco. Per arrestare l'utensile dalla posizione bloccata, schiacciare completamente l'interruttore e rilasciarlo.

Utensile con bottone di sblocco

Questo utensile è dotato di un bottone di sblocco, per evitare che l'interruttore venga schiacciato accidentalmente.

Per avviare l'utensile, spingere dentro il bottone di sblocco e schiacciare l'interruttore. Rilasciare l'interruttore per fermarlo.

Parascintille (Fig. 3)

Il parascintille viene installato in fabbrica con il suo bordo inferiore che fa contatto con la base. Facendo funzionare l'utensile in questa posizione si sprigionano intorno molte scintille. Allentare la vite e regolare il parascintille su una posizione che sprigioni intorno meno scintille possibile.

Intervallo tra la morsa e la piastra guida (Fig. 4 e 5)

La spaziatura o intervallo originale tra la morsa e la piastra guida è di 0 – 170 mm. Se il lavoro richiede una spaziatura o intervallo maggiore, procedere come segue per cambiare la spaziatura o intervallo.

Rimuovere i due bulloni a testa esagonale che fissano la piastra guida. Spostare la piastra guida come mostrato nella illustrazione, e fissarla usando i bulloni a testa esagonale. Sono possibili le regolazioni di intervallo seguenti:

35 – 205 mm

70 – 240 mm

⚠ ATTENZIONE:

- Tenere presente che i pezzi stretti potrebbero non essere fissati con sicurezza se si usano le due regolazioni di intervallo più ampie.

Regolazione per l'angolo di taglio desiderato (Fig. 6)

Per cambiare l'angolo di taglio, seguire la procedura sotto:

1. Allentare i due bulloni a testa esagonale.
2. Regolare la piastra guida all'angolo desiderato (0° – 45°).
3. Per un angolo ancor più accurato, usare un rapportatore o righello triangolare. Mantenere abbassato il manico in modo che il disco troncatore si estenda dentro la base. Allo stesso tempo, regolare l'angolo tra la piastra guida e il disco troncatore con un rapportatore o righello triangolare.
4. Stringere saldamente i bulloni a testa esagonale. A questo punto, accertarsi che il righello guida non si muova.
5. Controllare di nuovo l'angolo.

⚠ ATTENZIONE:

- Quando la piastra guida è regolata sulla posizione di 35 – 205 mm, o di 70 – 240 mm, non si devono mai eseguire tagli ad angolo retto.

NOTA:

- La scala sulla piastra guida è solo una indicazione approssimativa.

MONTAGGIO

⚠ATTENZIONE:

- Accertarsi sempre che l'utensile sia spento e staccato dalla presa di corrente prima di un qualsiasi intervento su di esso.

Rimozione o installazione del disco troncatore

(Fig. 7)

Per rimuovere il disco, sollevare la protezione di sicurezza. Premere il blocco albero in modo che il disco non possa girare, e usare la chiave per brugole per allentare il bullone a testa esagonale girandolo in senso antiorario.

Rimuovere poi il bullone a testa esagonale, la flangia esterna e il disco. (Nota: Non rimuovere la flangia interna, l'anello e l'anello di tenuta toroidale.)

Per installare il disco, seguire il procedimento opposto di rimozione. (Fig. 8)

⚠ATTENZIONE:

- Stringere saldamente il bullone a testa esagonale. Il serraggio insufficiente del bullone a testa esagonale potrebbe causare seri incidenti. Usare la chiave per brugole in dotazione per assicurare il serraggio corretto.
- Usare sempre e soltanto le flange interna ed esterna fornite con questo utensile.
- Abbassare sempre la protezione di sicurezza dopo la sostituzione del disco.

Fissaggio del pezzo (Fig. 9)

Girando la maniglia morsa in senso antiorario e rovesciando poi a sinistra il dado morsa si rilascia la morsa dalle filettature dell'albero, e si può così spostarla rapidamente dentro e fuori.

Per fissare il pezzo, spingere la maniglia morsa finché la piastra morsa fa contatto con il pezzo. Rovesciare a destra il dado morsa e girare poi la maniglia morsa in senso orario per fissare saldamente il pezzo.

⚠ATTENZIONE:

- Sistemare sempre il dado morsa completamente a destra per fissare il pezzo. Il pezzo potrebbe altrimenti non essere fissato saldamente. Ciò potrebbe causare l'espulsione del pezzo o una pericolosa rottura del disco.

Se il disco troncatore si è usurato notevolmente, usare dietro il pezzo un blocco distanziatore di un materiale robusto e non infiammabile, come mostrato nella illustrazione. Il disco usurato può essere usato più efficientemente usando il punto mediano sulla periferia del disco per tagliare il pezzo. (Fig. 10)

Per tagliare di lato pezzi con una larghezza di oltre 65 mm, attaccare alla piastra guida un pezzo di legno diritto (distanziatore) di oltre 190 mm di lunghezza x 45 mm di larghezza, come mostrato nella illustrazione. Attaccare questo distanziatore con viti attraverso i fori della piastra guida. (Fig. 11)

Se si usa un blocco distanziatore leggermente più stretto del pezzo, come mostrato nella illustrazione, si può anche usare il disco in modo più economico. (Fig. 12)

I pezzi lunghi devono essere supportati ad entrambi i lati con blocchi di materiale non infiammabile, in modo da essere a livello con la parte superiore della base. (Fig. 13)

FUNZIONAMENTO

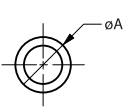
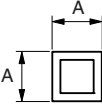
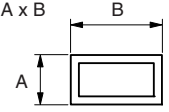
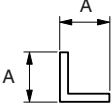
Tenete saldamente il manico. Accendere l'utensile e aspettare finché il disco abbia raggiunto la velocità massima prima di abbassarlo delicatamente nel taglio. Quando il disco fa contatto con il pezzo, fare gradualmente pressione sul manico per eseguire il taglio. Al completamento del taglio, spegnere l'utensile e ASPETTARE FINCHÉ IL DISCO SI È FERMATO COMPLETAMENTE prima di riportare il manico sulla posizione completamente rialzata.

⚠ATTENZIONE:

- La pressione appropriata sul manico e l'efficienza massima di taglio possono essere giudicate dalla quantità di scintille prodotte durante il taglio. La pressione sul manico deve essere applicata in modo da produrre la quantità massima di scintille. Non forzare il taglio applicando una pressione eccessiva sul manico. Ne potrebbe conseguire una efficienza di taglio ridotta, l'usura prematura del disco, come pure un possibile danno all'utensile, al disco troncatore o al pezzo.

Capacità di taglio

La capacità massima di taglio varia secondo l'angolo di taglio e la forma del pezzo. Diametro utile disco: 355 mm

Forma del pezzo / Angolo di taglio				
90°	115 mm	119 mm	115 mm x 130 mm 102 mm x 194 mm 70 mm x 233 mm	137 mm
45°	115 mm	106 mm	115 mm x 103 mm	100 mm

Utensili con sottofondo (Fig. 14)

Per togliere dal sottofondo la polvere che vi si è accumulata, mettere l'utensile con il suo lato in alto e aprire il sottofondo dopo aver rimosso la vite ad alette, come mostrato nella illustrazione. Chiudere e fissare il sottofondo con la vite ad alette dopo aver rimosso la polvere.

Trasporto dell'utensile (Fig. 15)

Ripiegare giù la testa utensile sulla posizione dove è possibile attaccare la catena al gancio sul manico.

MANUTENZIONE**⚠ ATTENZIONE:**

- Accertarsi sempre che l'utensile sia spento e staccato dalla presa di corrente prima di eseguire l'ispezione o la manutenzione.
- Mai usare benzina, benzene, solventi, alcol e altre sostanze simili. Potrebbero causare scolorimenti, deformazioni o crepe.

Sostituzione delle spazzole di carbone**(Figg. 16 e 17)**

Rimuovere e controllare regolarmente le spazzole di carbone. Sostituirle quando sono usurate fino al segno limite. Mantenere le spazzole di carbone pulite e libere di scorrere nei portaspazzole. Le spazzole di carbone devono essere sostituite entrambe allo stesso tempo. Usare soltanto spazzole di carbone identiche.

Usare un cacciavite per rimuovere i tappi dei portaspazzole. Estrarre le spazzole di carbone usurate, inserire quelle nuove e fissare i tappi dei portaspazzole.

Per preservare la SICUREZZA e l'AFFIDABILITÀ del prodotto, le riparazioni, la manutenzione o la regolazione devono essere eseguite da un Centro Assistenza Makita autorizzato usando sempre ricambi Makita.

ACCESSORI OPZIONALI**⚠ ATTENZIONE:**

- In questo manuale si consiglia di usare questi accessori o ricambi Makita. L'impiego di altri accessori o ricambi potrebbe costituire un pericolo di lesioni. Usare esclusivamente gli accessori o ricambi per il loro scopo specificato.

Per maggiori dettagli riguardo a questi accessori, rivolgersi a un centro di assistenza Makita.

- Dischi troncatore abrasivi
- Chiave per brugole 17

NOTA:

- Alcuni articoli nella lista potrebbero essere inclusi nell'imballo dell'utensile come accessori standard. Essi potrebbero differire da Paese a Paese.

Rumore

Il tipico livello di rumore pesato A determinato secondo EN61029:

Livello pressione sonora (L_{pA}): 99 dB (A)

Livello potenza sonora (L_{WA}): 109 dB (A)

Incertezza (K): 3 dB (A)

Indossare i paraorecchi

ENG900-1

Vibrazione

Il valore totale di vibrazione (somma vettore triassiale) determinato secondo EN61029:

Emissione di vibrazione (a_h): 4,0 m/s²

Incertezza (K): 1,5 m/s²

ENG901-1

- Il valore di emissione delle vibrazioni dichiarato è stato misurato conformemente al metodo di test standard, e può essere usato per paragonare un utensile con un altro.
- Il valore di emissione delle vibrazioni dichiarato può anche essere usato per una valutazione preliminare dell'esposizione.

⚠ AVVERTIMENTO:

- L'emissione delle vibrazioni durante l'uso reale dell'utensile elettrico può differire dal valore di emissione dichiarato a seconda dei modi in cui viene usato l'utensile.
- Identificare le misure di sicurezza per la protezione dell'operatore basate sulla stima dell'esposizione nelle condizioni reali d'utilizzo (tenendo presente tutte le parti del ciclo operativo, come le volte in cui l'utensile viene spento e quando gira a vuoto, oltre al tempo di funzionamento).

ENH003-13

Modello per l'Europa soltanto**Dichiarazione CE di conformità**

Noi della Makita Corporation, come produttori responsabili, dichiariamo che le macchine Makita seguenti:

Designazione della macchina: Troncatrice portatile

Modello No./Tipo: 2414NB

sono una produzione di serie e

conformi alle direttive europee seguenti:

2006/42/CE

E sono fabbricate conformemente ai seguenti standard o documenti standardizzati:

EN61029

La documentazione tecnica è tenuta dal nostro rappresentante autorizzato in Europa, che è:

Makita International Europe Ltd.

Michigan Drive, Tongwell,

Milton Keynes, Bucks MK15 8JD, England

30.1.2009




Tomoyasu Kato
Amministratore

Makita Corporation
3-11-8, Sumiyoshi-cho,
Anjo, Aichi, 446-8502, JAPAN

Verklaring van algemene gegevens

1 Voetstuk	13 O-ring	26 Langer dan 65 mm
2 Boutopeningen	14 Binnenflens	27 Langer dan 190 mm
3 Vergrendelknop/ Ontgrendelknop	15 Ring	28 Diameter van werkstuk
4 Trekschakelaar	16 As	29 Breedte van afstandsstuk
5 Schroef	17 Afkortschijf	30 Klemschroef
6 Vonkscherm	18 Buitenflens	31 Blokjes
7 Dopsleutel	19 Zeskantbout	32 Onderkap
8 Geleideplaat	20 Klemplaat	33 Vleugelbout
9 Verstellen	21 Klemmoer	34 Limietaanduiding
10 Zeskantbouten	22 Klemhendel	35 Schroevendraaier
11 Asvergrendeling	23 Afstandsstuk	36 Koolborsteldop
12 Veiligheidskap	24 Recht stuk hout (Afstandsstuk)	
	25 Langer dan 45 mm	

TECHNISCHE GEGEVENS

Model	2414NB
Schijfdiameter	355 mm
Gatdiameter	25,4 mm
Onbelaste snelheid (min ⁻¹)	3.800
Afmetingen (L x Br x H) Met onderkap	500 mm x 280 mm x 620 mm
Nettogewicht Met Europees type veiligheidskap en onderkap	18,4 kg
Veiligheidsklasse	

- In verband met ononderbroken research en ontwikkeling behouden wij ons het recht voor bovenstaande technische gegevens te wijzigen zonder voorafgaande kennisgeving.
- De technische gegevens kunnen van land tot land verschillen.
- Gewicht volgens de EPTA-procedure 01/2003

ENB007-2

Doeleinden van gebruik

Dit gereedschap is bedoeld voor het snijden in metaalwerk en ijzermateriaal met gebruikmaking van de geschikte doorslijpschijf. Houdt u zich aan de wetten en regelgeving zoals die in uw land gelden met betrekking tot stof en veiligheid en gezondheid op de werkplek.

ENF002-2

Stroomvoorziening

Het gereedschap mag alleen worden aangesloten op een stroombron van hetzelfde voltage als aangegeven op de naamplaat, en kan alleen op enkel-fase wisselstroom worden gebruikt. Het gereedschap is dubbel-geïsoleerd en kan derhalve ook op een niet-geaard stopcontact worden aangesloten.

ENF100-1

Voor openbare laagspanningsverdeelsystemen van tussen 220 V en 250 V

Schakelbedieningen van elektrische toestellen veroorzaken spanningsschommelingen. De bediening van dit gereedschap onder ongunstige lichtnetomstandigheden kan een nadelige invloed hebben op de bediening van andere apparatuur. Het kan worden aangenomen dat er geen negatieve effecten zullen zijn wanneer de netimpedantie gelijk is aan of minder is dan 0,26 Ohm. Het stopcontact dat voor dit gereedschap wordt gebruikt, moet beveiligd zijn door een zekering of een stroomonderbreker met trage afschakelkarakteristieken.

GEA010-1

Algemene veiligheidswaarschuwingen voor elektrisch gereedschap

⚠ WAARSCHUWING! Lees alle veiligheidswaarschuwingen en alle instructies. Het niet volgen van de waarschuwingen en instructies kan leiden tot elektrische schokken, brand en/of ernstig letsel.

Bewaar alle waarschuwingen en instructies om in de toekomst te kunnen raadplegen.

ENB066-1

AANVULLENDE VEILIGHEIDSVORSCHRIFTEN

1. Draag een beschermbril. Draag ook oorbeschermers bij langdurige werkzaamheden.
2. Gebruik uitsluitend slijpschijven die door de fabrikant worden aanbevolen en waarvan het maximaal bedrijfstoerental minstens even hoog is als het "No Load RPM" (toerental onbelast) dat op de naamplaat van het gereedschap is vermeld. Gebruik uitsluitend afkortschijven die met glasvezel zijn versterkt.
3. Alvorens met de werkzaamheid te beginnen, de schijf zorgvuldig controleren op barsten of beschadiging. Vervang een gebarsten of beschadigde schijf onmiddellijk.
4. Zet de schijf zorgvuldig vast.
5. Gebruik uitsluitend de voor dit gereedschap voorgeschreven flenzen.
6. Zorg ervoor dat u de as, de flenzen (vooral hun montagevlak) of de bout niet beschadigt, aangezien de schijf zelf dan kan breken.
7. Houd de beschermingen op hun plaats en in goede werkconditie.
8. Houd de handgreep stevig vast.
9. Houd uw handen uit de buurt van draaiende onderdelen.

10. Zorg ervoor dat de schijf het werkstuk niet raakt alvorens het gereedschap in te schakelen.
11. Laat het gereedschap een paar minuten draaien alvorens het op een werkstuk te gebruiken. Controleer het op trillingen of overmatige vibraties die door een verkeerde installatie of een slecht gebalanceerde schijf kunnen worden veroorzaakt.
12. Pas gedurende de werking op voor rondvliegende vonken. Deze kunnen letsel veroorzaken of ontvlambaar materiaal doen ontbranden.
13. Verwijder ontvlambaar materiaal of brokstukken uit de werkomgeving. Zorg ervoor dat niemand zich in de vonkenbaan bevindt. Houd een in goede staat verkerend brandblusapparaat gereed dicht bij de werkomgeving.
14. Gebruik uitsluitend de snijkant van de schijf en nooit de zijkant.
15. Wanneer tijdens de werkzaamheid de schijf plotseling stopt, vreemde geluiden maakt of begint te trillen, schakel dan het gereedschap onmiddellijk uit.
16. Schakel het gereedschap altijd uit en wacht totdat de schijf tot volledige stilstand is gekomen, alvorens het werkstuk te verwijderen of vast te zetten, de klemschroef vaster te zetten, de werkpositie of de snijhoek te veranderen, of de schijf te vervangen.
17. Raak het werkstuk niet aan onmiddellijk na het werken, aangezien het dan gloeiend heet is en brandwonden kan veroorzaken.
18. Berg de schijven uitsluitend op een droge plaats op.

BEWAAR DEZE VOORSCHRIFTEN.

INSTALLEREN

Vastzetten van de afkortslijpmachine (Fig. 1)

Dit gereedschap moet met twee bouten in de boutopeningen van het voetstuk worden vastgezet aan een stabiel, egaal oppervlak. Dit ter voorkoming van kantelen of omvallen met kans op persoonlijk letsel.

BESCHRIJVING VAN DE FUNCTIES

⚠ LET OP:

- Zorg altijd dat het gereedschap is uitgeschakeld en zijn stekker uit het stopcontact is verwijderd alvorens de functies op het gereedschap te controleren of af te stellen.

Werking van de schakelaar (Fig. 2)

⚠ LET OP:

- Alvorens u het gereedschap op een stopcontact aansluit, moet u altijd controleren of de trekschakelaar naar behoren functioneert en bij loslaten naar de "OFF" stand terugkeert.

Voor gereedschap met vergrendelknop

Om het gereedschap te starten, drukt u eenvoudigweg de trekschakelaar in. Om te stoppen, laat u de trekschakelaar los. Voor continu gebruik trekt u de trekschakelaar in en dan drukt u de vergrendelknop in. Om het gereedschap te stoppen vanuit de vergrendelde stand, trekt u de trekschakelaar nog verder in en dan laat u deze los.

Voor gereedschap met een uitstand-borgknop

Om te voorkomen dat de trekschakelaar per ongeluk kan worden ingedrukt, is er voorzien in een uitstand-borgknop.

Om het gereedschap te starten, drukt u de uitstand-borgknop in en trekt u de trekschakelaar in. Om te stoppen, laat u de trekschakelaar los.

Vonkscherm (Fig. 3)

Het vonkscherm is in de fabriek gemonteerd met de onderste rand tegen het voetstuk aan. Als u het gereedschap in die stand gebruikt, zullen er veel vonken in het rond vliegen. Draai de schroef los en verstel het vonkscherm zodanig dat er zo min mogelijk vonken af spatten.

Speling tussen de klemschroef en de geleideplaat (Fig. 4 en 5)

De oorspronkelijke ruimte tussen de klemschroef en de geleideplaat bedraagt van 0 – 170 mm. Als er voor uw werk meer speling nodig is, ga dan als volgt te werk om de speling of ruimte bij te stellen.

Verwijder de twee zeskantbouten waarmee de geleideplaat is bevestigd. Verstel de geleideplaat zoals in de afbeelding is getoond en zet de plaat weer vast met de zeskantbouten. De volgende spelingsinstellingen zijn mogelijk:

35 – 205 mm

70 – 240 mm

⚠ LET OP:

- Onthoud dat smalle werkstukken niet altijd stevig kunnen worden vastgeklemd bij gebruik van de twee bredere spelingsinstellingen.

Instelling voor de gewenste snijhoek (Fig. 6)

Voor het wijzigen van de snijhoek gaat u als volgt te werk:

1. Draai de twee zeskantbouten los.
2. Stel de geleideplaat in op de gewenste snijhoek (0° – 45°).
3. Voor een nauwkeuriger hoekinstelling gebruikt u een gradenboog of een tekendriehoek. Zorg dat de handgreep omlaag staat, zodat de afkortschijf tot in het voetstuk steekt. Verstel tegelijkertijd de hoek tussen de geleideplaat en de afkortschijf met een gradenboog of een tekendriehoek.
4. Draai de zeskantbouten stevig vast. Zorg hierbij vooral dat de geleidelineaal niet beweegt.
5. Controleer de hoek opnieuw.

⚠ LET OP:

- Ga niet verstekzagen wanneer de geleideplaat in de 35 – 205 mm of 70 – 240 mm stand is gezet.

OPMERKING:

- De schaalverdeling op de geleideplaat biedt slechts een ruwe vingeringwijzing.

INEENZETTEN

⚠ LET OP:

- Zorg altijd dat het gereedschap is uitgeschakeld en zijn stekker uit het stopcontact is verwijderd alvorens enig werk aan het gereedschap uit te voeren.

Verwijderen en aanbrengen van de afkortschijf (Fig. 7)

Voor het verwijderen van de afkortschijf tilt u de veiligheidskap op. Druk de asvergrendeling in, zodat de schijf niet kan draaien en draai de zeskantbout linksom los met de dopsleutel.

Verwijder vervolgens de zeskantbout, de buitenflens en de schijf. (Opmerking: Verwijder niet de binnenflens, de ring en de O-ring.)

Voor het aanbrengen van de schijf volgt u de demonteeraanwijzingen in omgekeerde volgorde. (Fig. 8)

⚠ LET OP:

- Draai de zeskantbout altijd stevig vast. Als de zeskantbout niet stevig genoeg wordt vastgedraaid, kan dat leiden tot ernstig letsel. Gebruik de bijgeleverde dopsleutel om het stevig aandraaien te vergemakkelijken.
- Gebruik altijd alleen de juiste binnen- en buitenflenzen die bij dit gereedschap zijn meegeleverd.
- Breng na het vervangen van de schijf altijd de veiligheidskap weer omlaag.

Vastzetten van het werkstuk (Fig. 9)

Door de klemhendel linksom te draaien en dan de klemmoer naar links te klappen, kunt u de schroefklem loshalen van de asschroefdraad, om de klem sneller in en uit te bewegen.

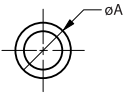
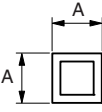
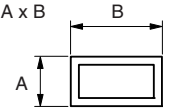
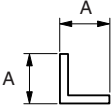
Om uw werkstuk aan te grijpen, drukt u eerst de klemhendel aan zodat de klemplaat het werkstuk raakt. Klap de klemmoer naar rechts en draai dan de klemhendel rechtsom, om uw werkstuk stevig vast te klemmen.

⚠ LET OP:

- Zorg dat de klemmoer altijd geheel naar rechts is gezet wanneer u een werkstuk vastklemt. Als u dit nalaat, kan het werkstuk niet afdoende worden vastgeklemd. In dat geval zou het werkstuk los kunnen raken of zou de schijf kunnen breken, wat zeer gevaarlijk is.

Snijcapaciteit

De maximale snijcapaciteit varieert afhankelijk van de snijhoek en de vorm van het werkstuk. Toepasbare schijfdiameter: 355 mm

Vorm van het werkstuk				
90°	115 mm	119 mm	115 mm x 130 mm 102 mm x 194 mm 70 mm x 233 mm	137 mm
45°	115 mm	106 mm	115 mm x 103 mm	100 mm

Wanneer de afkortschijf al aanzienlijk afgesleten is, plaatst u een afstandsstuk van solide, onbrandbaar materiaal achter uw werkstuk, zoals in de afbeelding getoond. U kunt een versleten schijf efficiënter gebruiken door het middelpunt van de rand van de schijf te gebruiken voor het doorsnijden van uw werkstuk. (Fig. 10)

Om een werkstuk van meer dan 65 mm breed onder een hoek af te snijden, brengt u een recht stuk hout (afstandsstuk) van meer dan 190 mm lang x 45 mm breed aan op de geleideplaat, zoals getoond in de afbeelding. Bevestig dit afstandsstuk met schroeven door de gaten in de geleideplaat. (Fig. 11)

Als u een afstandsstuk gebruikt dat iets smaller is dan het werkstuk, zoals getoond in de afbeelding, kunt u de schijf ook effectief benutten. (Fig. 12)

Ondersteun een lang werkstuk aan beide uiteinden door blokjes van onbrandbaar materiaal, om het werkstuk op gelijke hoogte te brengen met de bovenkant van het voetstuk. (Fig. 13)

BEDIENING

Houd de handgreep stevig vast. Schakel het gereedschap in en wacht tot de schijf op volle snelheid is gekomen, voordat u die geleidelijk op het snijpunt laat zakken. Wanneer de schijf het werkstuk raakt, drukt u geleidelijk de handgreep omlaag om de snede te maken. Wanneer de snede voltooid is, schakelt u het gereedschap uit en WACHT U TOT DE SCHIJF VOLLEDIG TOT STILSTAND IS GEKOMEN voordat u de handgreep terugzet in de bovenste stand.

⚠ LET OP:

- De juiste druk op de handgreep tijdens het snijden en de maximale snijwerking kan worden afgelezen aan de hoeveelheid vonken die wordt geproduceerd tijdens het snijden. U regelt de druk die u op de handgreep uitoefent zodanig dat er de grootste hoeveelheid vonken vrijkomt. Probeer niet om de snede te forceren door al te veel druk op de handgreep uit te oefenen. Dat kan leiden tot verminderde snijwerking, overmatige slijtage aan de schijf, en mogelijke schade aan het gereedschap, de afkortschijf of het werkstuk.

Voor gereedschap met onderkap (Fig. 14)

Om het verzamelde stof uit de onderkap te verwijderen, legt u het gereedschap op de zijkant en trekt u de onderkap open nadat u de vleugelbout hebt verwijderd, zoals in de afbeelding getoond. Zorg dat u na het lozen van het stof de onderkap weer sluit en met de vleugelbout stevig vastzet.

Dragen van het gereedschap (Fig. 15)

Breng de gereedschapshoofd omlaag tot het punt waar u de ketting aan de haak van de handgreep kan bevestigen.

ONDERHOUD**⚠ LET OP:**

- Zorg altijd dat het gereedschap is uitgeschakeld en niet op een stopcontact is aangesloten voordat u begint met inspectie of onderhoud.
- Gebruik nooit benzine, wasbenzine, thinner, alcohol en dergelijke. Hierdoor kunnen verkleuring, vervormingen en barsten worden veroorzaakt.

Koolborstels vervangen (Fig. 16 en 17)

Verwijder en controleer regelmatig de koolborstels. Vervang ze wanneer ze tot de limietaanduiding versleten zijn. Houd de koolborstels schoon en zorg dat ze in de houders kunnen bewegen. Beide koolborstels moeten tegelijk vervangen worden. Gebruik uitsluitend identieke koolborstels.

Gebruik een schroevendraaier om de koolborsteldoppen te verwijderen. Verwijder de versleten koolborstels, plaats een stel nieuwe en breng de koolborsteldoppen weer aan.

Om de VEILIGHEID en BETROUWBAARHEID van het product te handhaven, dienen alle reparaties en alle andere onderhoudswerkzaamheden of afstellingen te worden uitgevoerd door een erkend Makita Servicecentrum, en dat uitsluitend met gebruik van Makita vervangingsonderdelen.

OPTIONELE ACCESSOIRES**⚠ LET OP:**

- Deze accessoires of hulpstukken worden aanbevolen voor gebruik met het Makita gereedschap dat in deze gebruiksaanwijzing is beschreven. Bij gebruik van andere accessoires of hulpstukken bestaat er gevaar voor persoonlijke verwonding. Gebruik de accessoires of hulpstukken uitsluitend voor hun bestemd doel.

Wenst u meer bijzonderheden over deze accessoires, neem dan contact op met het plaatselijke Makita servicecentrum.

- Doorslijpschijven
- Dopsleutel 17

OPMERKING:

- Sommige van de onderdelen in deze lijst kunnen bijgeleverd zijn als standaard-accessoires. Deze accessoires kunnen per land verschillend zijn.

Geluidsniveau

De typisch, A-gewogen geluidsniveaus vastgesteld volgens EN61029:

- Geluidsdrukniveau (L_{pA}): 99 dB (A)
- Geluidsenergie-niveau (L_{WA}): 109 dB (A)
- Onnauwkeurigheid (K): 3 dB (A)

Dragaag oorbeschermers

ENG900-1

Trilling

De totaalwaarde van de trillingen (triaxiale vectorsom) vastgesteld volgens EN61029:

- Trillingsemmissie (a_{11}): 4,0 m/s²
- Onnauwkeurigheid (K): 1,5 m/s²

ENG901-1

- De opgegeven trillingsemmissiewaarde is gemeten volgens de standaardtestmethode en kan worden gebruikt om dit gereedschap te vergelijken met andere gereedschappen.
- De opgegeven trillingsemmissiewaarde kan ook worden gebruikt voor een beoordeling vooraf van de blootstelling.

⚠ WAARSCHUWING:

- De trillingsemmissie tijdens het gebruik van het elektrisch gereedschap in de praktijk kan verschillen van de opgegeven trillingsemmissiewaarde afhankelijk van de manier waarop het gereedschap wordt gebruikt.
- Zorg ervoor dat veiligheidsmaatregelen worden getroffen ter bescherming van de operator die zijn gebaseerd op een schatting van de blootstelling onder praktijkomstandigheden (rekening houdend met alle fasen van de bedrijfscyclus, zoals de tijdsduur gedurende welke het gereedschap is uitgeschakeld en stationair draait, naast de ingeschakelde tijdsduur).

ENH003-13

Alleen voor Europese landen**EU-Verklaring van Conformiteit**

Wij, Makita Corporation, als de verantwoordelijke fabrikant, verklaren dat de volgende Makita-machine(s):

Aanduiding van de machine: Afkortslijpmachine
Modelnr./Type: 2414NB
in serie zijn geproduceerd en

Voldoen aan de volgende Europese richtlijnen:
2006/42/EC

En zijn gefabriceerd in overeenstemming met de volgende normen of genormaliseerde documenten:
EN61029

De technische documentatie wordt bewaard door onze erkende vertegenwoordiger in Europa, te weten:

Makita International Europe Ltd.
Michigan Drive, Tongwell,
Milton Keynes, Bucks MK15 8JD, Engeland

30.1.2009




Tomoyasu Kato
Directeur

Makita Corporation
3-11-8, Sumiyoshi-cho,
Anjo, Aichi, 446-8502, JAPAN

Explicación de los dibujos

1 Base	13 Junta tórica	25 Más de 45 mm de largo
2 Agujeros para pernos	14 Brida interior	26 Más de 65 mm de largo
3 Botón de bloqueo/Botón de desbloqueo	15 Anillo	27 Más de 190 mm de largo
4 Interruptor de gatillo	16 Eje	28 Diámetro de la pieza de trabajo
5 Tornillo	17 Disco de corte	29 Anchura del bloque espaciador
6 Parachispas	18 Brida exterior	30 Mordaza
7 Llave de tubo	19 Perno hexagonal	31 Bloques
8 Placa guía	20 Placa de mordaza	32 Cubierta inferior
9 Mover	21 Tuerca de mordaza	33 Tornillo de aletas
10 Pernos hexagonales	22 Mango de mordaza	34 Marca límite
11 Bloqueo del eje	23 Bloque espaciador	35 Destornillador
12 Guarda de seguridad	24 Pieza de madera recta (Espaciador)	36 Tapón portaescobillas

ESPECIFICACIONES

Modelo	2414NB
Diámetro del disco	355 mm
Diámetro del agujero	25,4 mm
Velocidad en vacío (min ⁻¹)	3.800
Dimensiones (La x An x La) Con cubierta inferior	500 mm x 280 mm x 620 mm
Peso neto Con guarda de seguridad y cubierta inferior tipo europeo	18,4 kg
Clase de seguridad	

- Debido a un programa continuo de investigación y desarrollo, las especificaciones aquí dadas están sujetas a cambios sin previo aviso.
- Las especificaciones pueden ser diferentes de país a país.
- Peso de acuerdo con el procedimiento EPTA 01/2003

ENE007-2

Uso previsto

La herramienta ha sido prevista para cortar mampostería y materiales féreos con el disco de corte abrasivo apropiado. Siga todas las leyes y reglamentos en cuanto al polvo y la salubridad y seguridad del área de trabajo de su país.

ENF002-2

Alimentación

La herramienta ha de conectarse solamente a una fuente de alimentación de la misma tensión que la indicada en la placa de características, y sólo puede funcionar en la placa de características, y sólo puede funcionar con corriente alterna monofásica. El sistema de doble aislamiento de la herramienta puede, por lo tanto, usarse también en enchufes hembra sin conductor de tierra.


ENF100-1

Para sistemas de distribución de baja tensión de entre 220 y 250 v públicos

Los cambios de operación de aparatos eléctricos ocasionan fluctuaciones de tensión. La operación de este dispositivo en condiciones desfavorables de corriente puede afectar adversamente a la operación de otros equipos. Con una impedancia eléctrica igual o inferior a 0,26 ohmios, se puede asumir que no surgirán efectos negativos. La toma de corriente utilizada para este dispositivo deberá estar protegida con un fusible o disyuntor que tenga unas características de desconexión lenta.

Advertencias de seguridad generales para herramientas eléctricas

GEA010-1

 **¡ADVERTENCIA!** Lea todas las advertencias de seguridad y todas las instrucciones. Si no sigue todas las advertencias e instrucciones podrá ocasionar una descarga eléctrica, un incendio y/o heridas graves.

Guarde todas las advertencias e instrucciones para futuras referencias.

ENB066-1

NORMAS DE SEGURIDAD ADICIONALES PARA LA HERRAMIENTA

1. **Póngase gafas de protección. Póngase también protección para los oídos durante las tareas que requieran periodos prolongados.**
2. **Utilice solamente discos abrasivos recomendados por el fabricante que tengan una velocidad de operación máxima de al menos tal alta como la marcada en "No Load RPM" en la placa de características de la herramienta. Utilice solamente discos de corte reforzados con fibra de vidrio.**
3. **Compruebe cuidadosamente que la rueda de corte no tenga grietas ni daños antes de la operación. Reemplace inmediatamente la rueda de corte si está agrietada o dañada.**
4. **Fije con cuidado la rueda de corte.**
5. **Utilice solamente las bridas especificadas para esta herramienta.**
6. **Tenga cuidado de no dañar el husillo, las bridas (especialmente la superficie de instalación) o el perno, ya que podría romperse la misma rueda.**
7. **Mantenga los protectores en su lugar y en orden de trabajo.**
8. **Sujete firmemente la herramienta.**

9. Mantenga las manos apartadas de las partes giratorias.
10. Asegúrese de que la rueda no esté en contacto con la pieza de trabajo antes de conectar el interruptor.
11. Antes de utilizar la herramienta en la pieza de trabajo, déjela primero en funcionamiento durante varios minutos. Observe si se producen fluctuaciones o vibraciones excesivas que podrían ser causadas por una mala instalación o por una rueda de corte mal equilibrada.
12. Tenga cuidado con las chispas que saltan durante la operación. Estas pueden causar heridas o encender materiales combustibles.
13. Quite del área de trabajo el material o restos que puedan encenderse con las chispas. Asegúrese de que no haya nadie por donde saltan las listas. Mantenga a mano un extintor de incendios cargado.
14. Utilice solamente el borde de corte de la rueda. No utilice nunca la superficie lateral.
15. Si la rueda de corte se para durante la operación, hace ruidos extraños o empieza a vibrar, desconecte inmediatamente la herramienta.
16. Desconecte siempre la alimentación de la herramienta y espere a que se pare por completo la rueda de corte antes de quitar o fijar la pieza de trabajo o el torno de trabajo, o antes de cambiar la posición de trabajo, el ángulo de trabajo o la propia rueda de corte.
17. No toque la pieza de trabajo inmediatamente después de la operación; estará muy caliente y podría quemarle.
18. Guarde las ruedas de corte en un lugar seco solamente.

GUARDE ESTAS INSTRUCCIONES.

INSTALACIÓN

Aseguramiento del corte (Fig. 1)

Esta herramienta se deberá fijar con dos pernos en una superficie nivelada y estable utilizando los agujeros para pernos provistos en la base de la herramienta. Esto ayudará a evitar que se vuelque y pueda ocasionar heridas personales.

DESCRIPCIÓN DEL FUNCIONAMIENTO

⚠ PRECAUCIÓN:

- Asegúrese siempre de que la herramienta esté apagada y desenchufada antes de ajustar o comprobar cualquier función de la herramienta.

Accionamiento del interruptor (Fig. 2)

⚠ PRECAUCIÓN:

- Antes de enchufar la herramienta, compruebe siempre para cerciorarse de que el interruptor de gatillo se acciona debidamente y que vuelve a la posición "OFF" cuando lo suelta.

Para herramienta con botón de bloqueo

Para poner en marcha la herramienta, simplemente apriete el gatillo interruptor. Suelte el gatillo interruptor para parar. Para una operación continua, apriete el gatillo interruptor y después presione hacia dentro el botón de bloqueo. Para parar la herramienta desde la posición bloqueada, apriete el gatillo interruptor completamente, y después suéltelo.

Para herramienta con botón de desbloqueo

Para evitar que el gatillo interruptor pueda accionarse accidentalmente, se ha provisto un botón de desbloqueo. Para poner en marcha la herramienta, presione hacia dentro el botón de desbloqueo y apriete el gatillo interruptor. Suelte el gatillo interruptor para parar.

Parachispas (Fig. 3)

El parachispas se instala en fábrica con su borde inferior haciendo contacto con la base. Si se utiliza la herramienta en esta posición se producirán muchas chispas que saldrán volando. Afloje el tornillo y ajuste el parachispas en una posición en la que menos chispas salgan volando.

Intervalo entre la mordaza y la placa guía (Fig. 4 y 5)

El espacio o intervalo original entre la mordaza y la placa guía es 0 – 170 mm. Si su tarea requiere un espacio o intervalo más ancho, proceda de la forma siguiente para cambiar el espacio o intervalo.

Quite los pernos hexagonales que sujetan la placa guía. Mueva la placa guía como se muestra en la figura y sujétela utilizando los pernos hexagonales. Se pueden hacer los ajustes de intervalo siguientes:

35 – 205 mm

70 – 240 mm

⚠ PRECAUCIÓN:

- Recuerde que es posible que las piezas de trabajo estrechas no se puedan sujetar firmemente cuando se utilicen los dos ajustes de intervalo más anchos.

Ajuste del ángulo de corte deseado (Fig. 6)

Para cambiar el ángulo de corte, siga el procedimiento de abajo:

1. Afloje los dos pernos hexagonales.
2. Ajuste la placa guía al ángulo deseado (0° – 45°).
3. Para un ángulo más preciso, utilice un transportador o una escuadra. Mantenga la empuñadura bajada de forma que el disco de corte se prolongue al interior de la base. Al mismo tiempo, ajuste el ángulo entre la placa guía y el disco de corte con un transportador o escuadra.
4. Apriete los pernos hexagonales firmemente. Ahora, asegúrese de que la regla guía no se mueve.
5. Compruebe el ángulo otra vez.

⚠ PRECAUCIÓN:

- No realice nunca cortes en inglete cuando la placa guía esté ajustada en la posición de 35 – 205 mm o 70 – 240 mm.

NOTA:

- La escala de la placa guía es solamente una indicación aproximada.

MONTAJE

⚠ PRECAUCIÓN:

- Asegúrese siempre de que la herramienta esté apagada y desenchufada antes de realizar cualquier trabajo en ella.

Desmontaje o instalación del disco de corte

(Fig. 7)

Para quitar el disco, levante la guarda de seguridad. Presione el bloqueo del eje de forma que el disco no pueda girar y afloje el perno hexagonal girándolo hacia la izquierda con la llave de tubo.

Después quite el perno hexagonal, brida exterior y disco.

(Nota: No quite la brida interior, el anillo ni la junta tórica.)

Para instalar el disco, siga los procedimientos de desmontaje a la inversa. (Fig. 8)

⚠ PRECAUCIÓN:

- Asegúrese de apretar el perno hexagonal firmemente. Un apriete insuficiente del perno hexagonal puede resultar en una herida grave. Utilice la llave de tubo suministrada para asegurarse de que lo aprieta debidamente.
- Utilice siempre únicamente las bridas interior y exterior correctas que se suministran con esta herramienta.
- Baje siempre la guarda de seguridad después de reemplazar el disco.

Sujeción de la pieza de trabajo (Fig. 9)

Girando el mango de mordaza hacia la izquierda y girando después la tuerca de mordaza hacia la izquierda, la mordaza quedará libre de las roscas del eje y podrá ser movida rápidamente hacia dentro y hacia afuera.

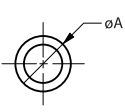
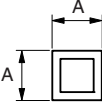
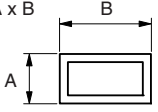
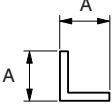
Para sujetar piezas de trabajo, empuje el mango de mordaza hasta que la placa de mordaza haga contacto con la pieza de trabajo. Gire la tuerca de mordaza hacia la derecha y después gire el mango de mordaza hacia la derecha para retener firmemente la pieza de trabajo.

⚠ PRECAUCIÓN:

- Ponga siempre la tuerca de mordaza completamente hacia la derecha cuando sujete la pieza de trabajo. En caso contrario podrá resultar en una insuficiente sujeción de la pieza de trabajo. Esto puede ocasionar que la pieza de trabajo salga expulsada o una peligrosa rotura del disco.

Capacidad de corte

La capacidad de corte máxima varía dependiendo del ángulo de corte y la forma de la pieza de trabajo. Diámetro de disco aplicable: 355 mm

<div style="text-align: center;">Pieza de trabajo</div> <div style="text-align: center;">Ángulo de corte</div>				
90°	115 mm	119 mm	115 mm x 130 mm 102 mm x 194 mm 70 mm x 233 mm	137 mm
45°	115 mm	106 mm	115 mm x 103 mm	100 mm

Quando el disco de corte se haya gastado considerablemente, ponga un bloque espaciador de material robusto y no inflamable detrás de la pieza de trabajo como se muestra en la figura. Podrá utilizar más eficazmente el disco gastado usando el punto medio de la periferia del disco para cortar la pieza de trabajo. (Fig. 10)

Quando corte piezas de trabajo de más de 65 mm de ancho en ángulo, coloque una pieza de madera recta (espaciador) de más de 190 mm de largo x 45 mm de ancho en la placa guía como se muestra en la figura. Coloque este espaciador con tornillos a través de los agujeros en la placa guía. (Fig. 11)

Si utiliza un bloque espaciador que sea ligeramente más estrecho que la pieza de trabajo como se muestra en la figura, también podrá utilizar el disco de forma económica. (Fig. 12)

Las piezas de trabajo largas deberán ser apoyadas sobre bloques de material no inflamable a cada lado de forma que queden a nivel con la parte superior de la base. (Fig. 13)

OPERACIÓN

Sujete firmemente el mango. Encienda la herramienta y espere hasta que el disco haya alcanzado plena velocidad antes de bajar con cuidado hasta el corte. Cuando el disco entre en contacto con la pieza de trabajo, empuje el mango hacia abajo gradualmente para realizar el corte. Cuando haya completado el corte, apague la herramienta y ESPERE HASTA QUE EL DISCO SE HAYA PARADO COMPLETAMENTE antes de devolver el mango a la posición completamente elevada.

⚠ PRECAUCIÓN:

- La presión apropiada sobre el mango durante el corte y la máxima eficacia de corte se pueden determinar mediante la cantidad de chispas que se producen durante el corte. La presión que usted ejerce sobre el mango deberá ser ajustada para producir la máxima cantidad de chispas. No fuerce el corte aplicando presión excesiva sobre el mango. Puede resultar en una menor eficacia de corte, desgaste prematuro del disco, así como posibles daños a la herramienta, el disco de corte o la pieza de trabajo.

Para herramientas con la cubierta inferior (Fig. 14)

Para quitar el polvo acumulado en la cubierta inferior, ponga la herramienta con su costado hacia arriba y saque la cubierta inferior tirando de ella después de haber quitado el tornillo de aletas como se muestra en la figura. Asegúrese de cerrar y sujetar la cubierta inferior con el tornillo de aletas después de haber quitado el polvo.

Transporte de la herramienta (Fig. 15)

Mueva el cabezal de la herramienta hacia abajo hasta la posición donde pueda colocar la cadena en el gancho del mango.

MANTENIMIENTO

⚠️ PRECAUCIÓN:

- Cerciérese siempre de que la herramienta está apagada y desenchufada antes de emprender cualquier tarea de inspección o mantenimiento.
- No utilice nunca gasolina, bencina, disolvente, alcohol o similares. Podría producir descoloración, deformación o grietas.

Reemplazo de las escobillas de carbón (Fig. 16 y 17)

Extraiga e inspeccione las escobillas de carbón regularmente. Reemplácelas cuando se hayan gastado hasta la marca límite. Mantenga las escobillas de carbón limpias de forma que entren libremente en los portaescobillas. Deberá reemplazar ambas escobillas de carbón al mismo tiempo. Utilice únicamente escobillas de carbón idénticas.

Utilice un destornillador para quitar los tapones portaescobillas. Extraiga las escobillas desgastadas, inserte las nuevas y vuelva a colocar los tapones portaescobillas.

Para mantener la SEGURIDAD y la FIABILIDAD del producto, las reparaciones y cualquier otro mantenimiento o ajuste deberán ser realizados por los centros de servicio autorizado de Makita, siempre con piezas de repuesto de Makita.

ACCESORIOS OPCIONALES

⚠️ PRECAUCIÓN:

- Estos accesorios o acoplamientos están recomendados para utilizar con su herramienta Makita especificada en este manual. El empleo de cualesquiera otros accesorios o acoplamientos conllevará un riesgo de sufrir heridas personales. Utilice los accesorios o acoplamientos solamente para su fin establecido.

Si necesita cualquier ayuda para más detalles en relación con estos accesorios, pregunte a su centro de servicio Makita local.

- Discos de corte abrasivo
- Llave de tubo de 17

NOTA:

- Algunos elementos de la lista podrán estar incluidos en el paquete de la herramienta como accesorios estándar. Pueden variar de un país a otro.

Ruido

El nivel de ruido A-ponderado típico determinado de acuerdo con la norma EN61029:

Nivel de presión sonora (L_{pA}): 99 dB (A)

Nivel de potencia sonora (L_{WA}): 109 dB (A)

Error (K): 3 dB (A)

Póngase protectores en los oídos

ENG900-1

Vibración

El valor total de la vibración (suma de vectores triaxiales) determinado de acuerdo con la norma EN61029:

Emisión de vibración (a_{r1}): 4,0 m/s²

Error (K): 1,5 m/s²

ENG901-1

- El valor de emisión de vibración declarado ha sido medido de acuerdo con el método de prueba estándar y se puede utilizar para comparar una herramienta con otra.
- El valor de emisión de vibración declarado también se puede utilizar en una valoración preliminar de exposición.

⚠️ ADVERTENCIA:

- La emisión de vibración durante la utilización real de la herramienta eléctrica puede variar del valor de emisión declarado dependiendo de las formas en las que la herramienta sea utilizada.
- Asegúrese de identificar medidas de seguridad para proteger al operario que estén basadas en una estimación de la exposición en las condiciones reales de utilización (teniendo en cuenta todas las partes del ciclo operativo tal como las veces cuando la herramienta está apagada y cuando está funcionando en vacío además del tiempo de gatillo).

ENH003-13

Para países europeos solamente

Declaración de conformidad CE

Makita Corporation como fabricante responsable declara que la(s) siguiente(s) máquina(s) de Makita:

Designación de máquina: Tronzadora

Modelo N°/Tipo: 2414NB

son producidas en serie y

Cumplen con las directivas europeas siguientes:

2006/42/EC

Y que están fabricadas de acuerdo con las normas o documentos normalizados siguientes:

EN61029

Los documentos técnicos los guarda nuestro representante autorizado en Europa cuya persona es:

Makita International Europe Ltd.

Michigan Drive, Tongwell,

Milton Keynes, Bucks MK15 8JD, Inglaterra

30.1.2009




Tomoyasu Kato
Director

Makita Corporation
3-11-8, Sumiyoshi-cho,
Anjo, Aichi, 446-8502, JAPAN

Explicação geral

1 Base	15 Anel	27 Com mais de 190 mm de comprimento
2 Orifícios dos pernos	16 Veio	28 Diâmetro da superfície de trabalho
3 Botão de bloqueio/botão de segurança	17 Disco de corte	29 Largura do bloco espaçador
4 Gatilho do interruptor	18 Brida exterior	30 Prensa
5 Parafuso	19 Perno hexagonal	31 Blocos para nivelar
6 Protector de faíscas	20 Mordente da prensa	32 Tampa inferior
7 Chave de tubo	21 Porca da prensa	33 Parafuso de orelhas
8 Placa guia	22 Pega da prensa	34 Marca limite
9 Mover	23 Bloco espaçador	35 Chave de parafusos
10 Pernos hexagonais	24 Peça de madeira direita (espaçador)	36 Tampa do porta-escovas
11 Travão do veio	25 Com mais de 45 mm de comprimento	
12 Protector de segurança	26 Com mais de 65 mm de comprimento	
13 O-ring		
14 Brida interior		

ESPECIFICAÇÕES

Modelo	2414NB
Diâmetro do disco	355 mm
Diâmetro interior do disco	25,4 mm
Velocidade em vazio (mín ⁻¹)	3.800
Dimensões (C x L x A)	
Com a tampa inferior	500 mm x 280 mm x 620 mm
Peso líquido	
Com protector de segurança de tipo europeu e tampa inferior	18,4 kg
Classe de segurança	

- Devido a um programa contínuo de pesquisa e desenvolvimento, estas especificações podem ser alteradas sem aviso prévio.
- As especificações podem variar de país para país.
- Peso de acordo com o Procedimento 01/2003 da EPTA (European Power Tool Association)

ENE007-2

Utilização pretendida

A ferramenta foi concebida para corte em maçonaria e materiais ferrosos com o disco abrasivo de corte apropriado. Observe as leis e regulamentos do seu país relativos à poeira e saúde e segurança na área de trabalho.

ENF002-2

Alimentação

A ferramenta só deve ser ligada a uma fonte de alimentação com a mesma voltagem da indicada na placa de características, e só funciona com alimentação de corrente alterna monofásica. Tem um sistema de isolamento duplo e pode, por isso, utilizar tomadas sem ligação à terra.

ENF100-1

Para sistemas públicos de distribuição de baixa voltagem entre 220 V e 250 V

Alternar a operação de aparelhos eléctricos pode causar flutuações de voltagem. A operação deste aparelho sob condições de alimentação não favoráveis pode ter efeitos adversos na operação de outro equipamento. Com uma impedância de alimentação igual ou inferior a 0,26 ohms pode-se presumir que não haverá efeitos negativos. A tomada de alimentação utilizada para este aparelho deve ser protegida com um fusível ou um disjuntor protector de circuito que tenha características de disparo lentas.

GEA010-1

Avisos gerais de segurança para ferramentas eléctricas

⚠ AVISO! Leia todas os avisos de segurança e todas as instruções. O não cumprimento de todos os avisos e instruções pode originar choque eléctrico, incêndio e/ou ferimentos graves.

Guarde todos os avisos e instruções para futuras referências.

ENB066-1

REGRAS ADICIONAIS DE SEGURANÇA PARA A FERRAMENTA

1. Use óculos protectores. Utilize também protectores para os ouvidos quando trabalhar durante longos períodos.
2. Só utilize discos de rebarbação recomendados pelo fabricante que tenham uma velocidade máxima de operação pelo menos tão alta como a "No Load RPM" (rotações em vazio) marcada na placa de características da ferramenta. Utilize apenas discos de corte reforçados a fibra de vidro.
3. Verifique cuidadosamente antes do funcionamento se o disco tem fissuras ou está danificado. Em caso afirmativo, substitua-o imediatamente.
4. Prenda o disco cuidadosamente.
5. Utilize só as bridas indicadas para esta ferramenta.
6. Tenha cuidado para não danificar o veio, a brida (especialmente a superfície de encosto) ou o perno, pois pode originar a ruptura do disco.

7. Mantenha os protectores no lugar e em condições de funcionamento.
8. Segure a pega firmemente.
9. Mantenha as mãos afastadas das partes em rotação.
10. Certifique-se de que o disco não está em contacto com a superfície de trabalho antes de ligar o interruptor.
11. Antes de utilizar a ferramenta deixe-a funcionar em vazio durante um bocado. Preste atenção a um movimento irregular ou vibração excessiva que podem indicar má instalação ou desequilíbrio do disco.
12. Tenha cuidado com as faíscas quando está a trabalhar. Podem causar ferimentos ou incendiar materiais combustíveis.
13. Retire materiais ou fragmentos da área que pode ser atingida pelas faíscas. Certifique-se de que não está ninguém em local onde possa ser atingido pelas faíscas. Mantenha um extintor de incêndios em condições de funcionamento em local próximo.
14. Utilize apenas a superfície de corte do disco. Nunca utilize a superfície lateral.
15. Se o disco parar durante a operação, produzir um ruído anormal ou começar a vibrar, desligue a ferramenta imediatamente.
16. Desligue sempre a ferramenta e espere que o disco esteja completamente parado antes de retirar ou prender a superfície de trabalho, a prensa, mudar a posição de corte, o ângulo ou o disco.
17. Não toque na superfície de trabalho imediatamente depois da operação; pode estar extremamente quente e provocar queimaduras.
18. Guarde os discos só em locais secos.

GUARDE ESTAS INSTRUÇÕES.

INSTALAÇÃO

Prender o disco de corte (Fig. 1)

Esta ferramenta deve ser presa com dois pernos em uma superfície nivelada e estável utilizando os orifícios para pernos existentes na base da ferramenta. Isto ajudará a evitar que a ferramenta se tombe e cause ferimentos.

DESCRIÇÃO FUNCIONAL

⚠️ PRECAUÇÃO:

- Certifique-se sempre de que a ferramenta está desligada e a ficha retirada da tomada antes de regular ou verificar o funcionamento da ferramenta.

Acção do interruptor (Fig. 2)

⚠️ PRECAUÇÃO:

- Antes de ligar a ferramenta à corrente, certifique-se de que o gatilho do interruptor funciona correctamente e volta para a posição de desligado (OFF) quando libertado.

Para ferramenta com botão de bloqueio

Para ligar a ferramenta, carregue simplesmente no gatilho do interruptor. Liberte o gatilho para parar. Para operação contínua, aperte o gatilho e empurre o botão de bloqueio. Para parar a ferramenta a partir da posição de bloqueio, carregue completamente no gatilho e liberte-o.

Para ferramenta com botão de segurança

Para evitar o accionamento acidental do gatilho, a ferramenta é equipada com um botão de segurança.

Para ligar a ferramenta, aperte o botão de segurança e carregue no gatilho. Liberte o gatilho para parar.

Protector de faíscas (Fig. 3)

O protector de faíscas foi instalado na fábrica com a extremidade inferior tocando a base. Funcionar com a ferramenta nesta posição provocará muitas faíscas na área. Desaperte o parafuso e ajuste o protector de faíscas na posição onde ocorra o mínimo de faíscas.

Intervalo entre a prensa e a placa guia (Fig. 4 e 5)

O espaço original ou intervalo entre a prensa e a placa guia é de 0 – 170 mm. Se o seu trabalho requerer um espaço ou intervalo maior, proceda como a seguir para mudar o espaço ou intervalo.

Retire os dois pernos hexagonais que prendem a placa guia. Mova a placa guia como indicado na ilustração e prenda-a utilizando os pernos hexagonais. É possível regular os seguintes intervalos:

35 – 205 mm

70 – 240 mm

⚠️ PRECAUÇÃO:

- Lembre-se que não pode prender seguramente superfícies de trabalho estreitas quando utilizar as regulações dos dois intervalos maiores.

Regulação do ângulo de corte desejado (Fig. 6)

Para alterar o ângulo de corte, siga o procedimento abaixo:

1. Desaperte os dois pernos hexagonais.
2. Regule a placa guia no ângulo desejado (0° – 45°).
3. Para obter um ângulo mais preciso, use um transferidor ou um esquadro. Mantenha a pega abaixada de forma que o disco de corte se estenda até a base. Ao mesmo tempo, regule o ângulo entre a placa guia e o disco de corte com um transferidor ou esquadro.
4. Aperte os pernos hexagonais com firmeza. Nesse ponto, confirme que a guia paralela não se move.
5. Verifique o ângulo outra vez.

⚠️ PRECAUÇÃO:

- Nunca execute cortes de esquadria quando a placa guia estiver colocada na posição de 35 – 205 mm ou 70 – 240 mm.

NOTA:

- A escala na placa guia é apenas um indicação aproximada.

MONTAGEM

⚠️ PRECAUÇÃO:

- Certifique-se sempre de que a ferramenta está desligada e a ficha retirada da tomada antes de executar qualquer trabalho na ferramenta.

Extracção ou instalação do disco de corte (Fig. 7)

Para extrair o disco, levante o protector de segurança. Pressione o travão do veio para impedir que o disco se mova e utilize a chave de tubo para desapertar o perno hexagonal, rodando-o para a esquerda.

Em seguida retire o perno hexagonal, a brida exterior e o disco. (Nota: Não retire a brida interior, o anel nem o O-ring.)

Para instalar o disco, execute o procedimento de extracção na ordem inversa. (Fig. 8)

⚠️ PRECAUÇÃO:

- Certifique-se de que aperta seguramente o perno hexagonal. Se ficar mal apertado pode originar ferimentos graves. Utilize a chave de tubo fornecida para assegurar um aperto correcto.
- Utilize sempre as bridas interior e exterior que foram fornecidas com esta ferramenta.
- Baixe sempre o protector de segurança depois de substituir o disco.

Prender a superfície de trabalho (Fig. 9)

Se rodar a pega da prensa para a esquerda e em seguida mover a porca da prensa para a esquerda, a prensa solta-se do veio roscado e pode ser movimentada rapidamente para dentro e para fora.

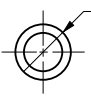
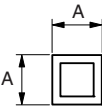
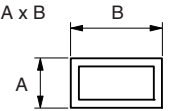
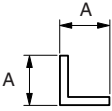
Para prender a superfície de trabalho, empurre a pega da prensa até que a placa guia toque a superfície de trabalho. Mova a porca da prensa para a direita e rode a pega para a direita para prender seguramente a superfície de trabalho.

⚠️ PRECAUÇÃO:

- Coloque sempre a porca da prensa completamente para a direita quando prendendo a superfície de trabalho. Se assim não for, a superfície de trabalho pode ficar mal presa. Isso pode fazer com que a superfície de trabalho se solte ou que o disco se parta, causando danos perigosos.

Capacidade de corte

A capacidade máxima de corte varia de acordo com o ângulo de corte e a forma da superfície de trabalho. Diâmetro do disco aplicável: 355 mm

Superfície de trabalho / Ângulo de corte				
90°	115 mm	119 mm	115 mm x 130 mm 102 mm x 194 mm 70 mm x 233 mm	137 mm
45°	115 mm	106 mm	115 mm x 103 mm	100 mm

Para as ferramentas com tampa inferior (Fig. 14)

Para retirar o pó recolhido da tampa inferior, coloque a ferramenta com a parte lateral voltada para cima e puxe a tampa inferior, para a abrir, depois de retirar o parafuso de orelhas como se mostra na ilustração. Depois de retirar o pó, certifique-se de fechar a tampa inferior e prendê-la com o parafuso de orelhas.

Quando o disco de corte estiver muito gasto, utilize um bloco espaçador sólido, de material não inflamável por detrás da superfície de trabalho como indicado na ilustração. Poderá usar o disco gasto mais eficientemente, utilizando-o até à linha de periferia média para cortar a superfície de trabalho. (Fig. 10)

Quando corta em ângulo peças com mais de 65 mm de largura, prenda uma peça de madeira direita (bloco espaçador) com mais de 190 mm de comprimento x 45 mm de largura à placa guia como mostrado na ilustração. Prenda este espaçador com pernos através dos orifícios na placa guia. (Fig. 11)

Se utilizar um bloco espaçador que seja ligeiramente mais estreito do que a superfície de trabalho, como mostrado na ilustração, pode também utilizar o disco mais economicamente. (Fig. 12)

As peças compridas devem ser apoiadas por blocos de material não inflamável em cada um dos lados, de modo que fiquem niveladas com o topo da base. (Fig. 13)

OPERAÇÃO

Segure a pega firmemente. Ligue a ferramenta e espere até que o disco atinja a velocidade máxima antes de o descer devagar para cortar. Quando o disco tocar a superfície de trabalho, pressione gradualmente a pega para executar o corte. Quando terminar de cortar, desligue a ferramenta e ESPERE ATÉ QUE O DISCO ESTEJA COMPLETAMENTE PARADO antes de levantar a pega totalmente.

⚠️ PRECAUÇÃO:

- A pressão adequada na pega durante o corte e a máxima eficiência de corte podem ser determinadas pela quantidade de faíscas produzidas durante o corte. A pressão exercida na pega deve ser ajustada para produzir a quantidade máxima de faíscas. Não force para cortar, exercendo pressão excessiva na pega. Isso poderá resultar em eficácia reduzida de corte, desgaste prematuro do disco assim como possíveis danos à ferramenta, disco de corte ou superfície de trabalho.

Transporte da ferramenta (Fig. 15)

Incline a cabeça da ferramenta até a posição em que possa prender a corrente ao gancho na pega.

MANUTENÇÃO

⚠️ PRECAUÇÃO:

- Antes de efectuar qualquer inspecção ou manutenção, desligue sempre a ferramenta e retire a ficha da tomada de corrente.
- Nunca utilize gasolina, benzina, diluente, álcool ou produtos semelhantes. Pode ocorrer a descoloração, deformação ou rachaduras.

Substituição das escovas de carvão (Fig. 16 e 17)

Retire e verifique as escovas de carvão regularmente. Substitua quando o desgaste atingir a marca limite. Mantenha as escovas de carvão limpas e livres para deslizarem nos porta-escovas. Ambas as escovas de carvão devem ser substituídas ao mesmo tempo. Utilize somente escovas de carvão idênticas.

Utilize uma chave de parafusos para retirar as tampas do porta-escovas. Retire as escovas de carvão gastas, coloque as novas e feche as tampas dos porta-escovas.

Para manter a SEGURANÇA e FIABILIDADE, as reparações e outras acções de manutenção ou ajustes devem ser executados pelos Centros de assistência autorizados da Makita, utilizando sempre peças de substituição Makita.

ACESSÓRIOS OPCIONAIS

⚠️ PRECAUÇÃO:

- Estes acessórios ou peças extra são recomendadas para utilização com a sua ferramenta Makita especificada neste manual. A utilização de qualquer outros acessórios ou peças extra podem apresentar o risco de ferimentos. Só utilize os acessórios ou peças extras para o fim a que são destinados.

Se necessitar de informações adicionais relativas a estes acessórios, solicite-as ao seu centro de assistência Makita.

- Discos de corte abrasivos
- Chave de tubo 17

NOTA:

- Alguns itens da lista podem estar incluídos na embalagem da ferramenta como acessórios padrão. Eles podem variar de país para país.

ENG905-1

Ruído

A característica do nível de ruído A determinado de acordo com EN61029:

Nível de pressão de som (L_{pA}): 99 dB (A)

Nível do som (L_{WA}): 109 dB (A)

Variabilidade (K): 3 dB (A)

Utilize protectores para os ouvidos

ENG900-1

Vibração

O valor total da vibração (soma vectorial tri-axial) determinado de acordo com EN61029:

Emissão de vibração (a_{hv}): 4,0 m/s²

Variabilidade (K): 1,5 m/s²

ENG901-1

- O valor da emissão de vibração indicado foi medido de acordo com o método de teste padrão e pode ser utilizado para comparar duas ferramentas.
- O valor da emissão de vibração indicado pode também ser utilizado na avaliação preliminar da exposição.

⚠️ AVISO:

- A emissão de vibração durante a utilização real da ferramenta eléctrica pode diferir do valor de emissão indicado, dependendo das formas como a ferramenta é utilizada.
- Certifique-se de identificar as medidas de segurança para protecção do operador que sejam baseadas em uma estimativa de exposição em condições reais de utilização (considerando todas as partes do ciclo de operação, tal como quando a ferramenta está desligada e quando está a funcionar em marcha lenta além do tempo de accionamento).

ENH003-13

Só para países Europeus

Declaração de conformidade CE

Nós, a Makita Corporation, fabricante responsável, declaramos que a(s) seguinte(s) ferramenta(s) Makita:

Designação da ferramenta: Cortadora de disco abrasivo

Modelos n°/Tipo: 2414NB

são de produção de série e

Em conformidade com as seguintes directivas europeias:

2006/42/EC

E estão fabricados de acordo com as seguintes normas ou documentos normativos:

EN61029

A documentação técnica é mantida pelo nosso representante autorizado na Europa:

Makita International Europe Ltd.

Michigan Drive, Tongwell,

Milton Keynes, Bucks MK15 8JD, Inglaterra

30.1.2009




Tomoyasu Kato
Director

Makita Corporation
3-11-8, Sumiyoshi-cho,
Anjo, Aichi, 446-8502, JAPAN

Illustrationsoversigt

1 Base	14 Indre flange	27 Over 190 mm lang
2 Bolthuller	15 Ring	28 Arbejdsemnes diameter
3 Låseknap/Aflåsningsknap	16 Spindel	29 Bredde af afstandsklods
4 Afbryder	17 Afstukket skive	30 Skruestik
5 Skrue	18 Ydre flange	31 Blokke
6 Gnistskærm	19 Sekskantbolt	32 Underdæksel
7 Topnøgle	20 Skruestikplade	33 Vingebolt
8 Ledeplyade	21 Skruestikmøtrik	34 Grænsemærkning
9 Flyt	22 Skruestikgreb	35 Skruetækker
10 Sekskantbolte	23 Afstandsklods	36 Kulholderbørste
11 Spindellås	24 Lige træstykke (afstandsstykke)	
12 Beskyttelseskærm	25 Over 45 mm lang	
13 O-ring	26 Over 65 mm lang	

SPECIFIKATIONER

Model	2414NB
Skivediameter	355 mm
Huldiameter	25,4 mm
Ubelastet hastighed (min ⁻¹)	3.800
Mål (L x B x H) Med underdæksel.....	500 mm x 280 mm x 620 mm
Nettovægt Med beskyttelseskærm og underdæksel af europæisk type	18,4 kg
Sikkerhedsklasse.....	

- På grund af vores kontinuerlige forsknings- og udviklingsprogrammer kan hosstående specifikationer blive ændret uden varsel.
- Specifikationer kan variere fra land til land.
- Vægt i henhold til EPTA-Procedure 01/2003

GEA010-1

Almindelige sikkerhedsregler for el-værktøj

⚠ ADVARSEL! Læs alle sikkerhedsadvarsler og alle sikkerhedsinstruktioner. Hvis nedenstående advarsler og instruktioner ikke overholdes, kan resultatet blive elektrisk stød, brand og/eller alvorlig personskade.

Gem alle advarsler og instruktioner til fremtidig reference.

ENB066-1

Tilsligtet anvendelse

Denne maskine er beregnet til skæring i murværk og jern- og stålerner ved anvendelse af passende skæreskiver til kapning. Følg alle love og regler for stov og arbejdsområde i Deres land med hensyn til helbred og sikkerhed.

ENE007-2

ENF002-2

Netsspænding

Maskinen må kun tilsluttes den netspænding, der er angivet på typeskiltet. Maskinen arbejder på enkeltfasets vekselspænding og er dobbeltisoleret iht. de europæiske normer og må derfor tilsluttes en stikkontakt uden jordtilslutning.

ENF100-1

For offentlige lavspændingsnet på mellem 220 V og 250 V

Tænd og sluk af elektriske apparater medfører spændingssvingninger. Anvendelse af denne maskine under uheldige lysnetforsyningsforhold kan have negativ indflydelse på driften af andet udstyr. Ved en netimpedans svarende til eller mindre end 0,26 ohm, kan det antages, at der ikke vil være negative påvirkninger. Stikkontakten, der anvendes til denne maskine, skal være beskyttet med en sikring eller en beskyttelsesafbryder med træudløsning.

YDERLIGERE SIKKERHEDSBESTEMMELSER FOR MASKINEN

1. Brug sikkerhedsbriller. Brug også høreværn når der skal arbejdes i længere tid.
2. Brug kun skæreskiver, der er anbefalet af fabrikanten, og som har en maksimal hastighed, der er mindst lige så høj, som den, der er angivet som "No Load RPM" på maskinens typeskilt. Brug kun glasfiberforstærkede kvalitetsskiver.
3. Før brug kontrolleres om skiven har revner eller er beskadiget. Udskift revnede eller beskadigede skiver med det samme.
4. Spænd skiven godt fast.
5. Anvend kun flanger, der er beregnet til denne maskine.
6. Pas på ikke at beskadige spindlen, flangerne (især monteringsoverfladen) eller boltene. Hvis det sker, kan selve skiven sprænges.
7. Hold skærmene på plads og i god stand.
8. Hold godt fast i grebet med begge hænder.
9. Lad ikke hænderne komme i nærheden af roterende dele.
10. Forvis Dem om, at skiven ikke berører emnet, når maskinen startes.

11. Før et emne skæres skal maskinen køre lidt i tomgang. Vær opmærksom på vibrationer og rulning, der kan tyde på forkert montering, en dårlig afbalanceret eller defekt skive.
12. Pas på flyvende gnister under betjeningen. De kan medføre personskaade og antænde brændbare materialer.
13. Fjern materiale og affald, der kan antændes af gnister, fra arbejdsområdet. Forvis Dem om, at der ikke er nogle personer der, hvor gnister falder. Hav altid en god, driftsklar ildslukker i nærheden.
14. Brug kun skærekanten på skiven. Brug aldrig siden af skiven.
15. Hvis skiven stopper under brug, Lyder underlig eller begynder at vibrere, skal der omgående slukkes for maskinen.
16. Sluk altid for maskinen og vent til skiven er helt stoppet før emnet fjernes eller der foretages justering på maskinen.
17. Rør ikke ved emne eller fraskær lige efter skæring. Delene er ekstremt varme og kan give forbrændinger.
18. Opbevar altid skiverne på et tørt sted.

GEM DISSE FORSKRIFTER.

INSTALLATION

Fastgøring af afstukket skive (Fig. 1)

Denne maskine skal boltes fast med to bolte til en plan og stabil flade med brug af de bolthuller, der findes i maskinens base. Dette vil bidrage til at forhindre, at at maskinen tipper og forårsager personskaade.

FUNKTIONSBESKRIVELSE

⚠ FORSIGTIG:

- Sørg altid for, at der er slukket for maskinen og at den er taget ud af forbindelse, inden maskinens funktion justeres eller kontrolleres.

Afbryderfunktion (Fig. 2)

⚠ FORSIGTIG:

- Før der tændes for maskinen, skal det altid kontrolleres, at afbryderkontakten fungerer rigtigt og returnerer til "OFF"-stillingen, når den slippes.

For maskine med låseknap

For at starte maskinen, behøver man blot at trykke på afbryderen. For at stoppe, skal man slippe afbryderen. For vedvarende arbejde trykkes der på afbryderen og låsekappen trykkes ind. For at afbryde maskinen fra den låste position, skal afbryderen trykkes helt ind og derefter slippes.

For maskine med aflåsningsknap

For at forhindre utilsigtet tryk på afbryderen, er maskinen udstyret med en aflåsningsknap. For at starte maskinen, trykkes aflåsningsknappen ned og der trykkes på afbryderen. For at stoppe, skal man slippe afbryderen.

Gnistskærm (Fig. 3)

Gnistskærmen er installeret fra fabrikken, så dens nederste kant berører basen. Anvendelse af maskinen i denne stilling vil bevirke, at der flyver mange gnister omkring. Løsn skruen og indstil gnistskærmen til en stilling, hvor kun få gnister vil flyve omkring.

Mellemrum mellem skruestik og ledeplade (Fig. 4 og 5)

Den oprindelige afstand eller mellemrum mellem skruestikken og ledepladen er 0 – 170 mm. Hvis arbejdet kræver større afstand eller mellemrum, skal du gå frem som følger for at ændre afstanden eller mellemrummet. Fjern de to sekskantbolte, der holder ledepladen fast. Flyt ledepladen som vist på illustrationen og fastgør den med sekskantboltene. De følgende indstillinger af mellemrummet er mulige:

35 – 205 mm

70 – 240 mm

⚠ FORSIGTIG:

- Husk at smalle arbejdsemner muligvis ikke kan fastspændes godt nok, når indstillinger for de to brede mellemrum anvendes.

Indstilling af ønsket snitvinkel (Fig. 6)

Følg nedenstående fremgangsmåde, når skærevinklen skal ændres:

1. Løsn de to sekskantbolte.
2. Indstil styrepladen til den ønskede vinkel (0° – 45°).
3. For at opnå en mere nøjagtig vinkel, skal man anvende en forlænger eller en vinkelretskede. Hold håndtaget nede, så afstukket skive går ind i bundpladen. Indstil samtidigt vinklen mellem ledepladen og afstukket skive med en forlænger eller en vinkelretskede.
4. Stram sekskantboltene godt til. Sørg på dette tidspunkt for, at styrepladen ikke bevæger sig.
5. Kontroller vinklen igen.

⚠ FORSIGTIG:

- Udfør aldrig geringssnit, når ledepladen er indstillet til 35 – 205 mm eller 70 – 240 mm.

BEMÆRK:

- Skalaen på ledepladen er kun en omtrentlig indikering.

SAMLING

⚠ FORSIGTIG:

- Sørg altid for at maskinen er slukket og netstikket trukket ud, inden der foretages noget arbejde på selve maskinen.

Afmontering eller montering af afstukket skive (Fig. 7)

Løft beskyttelsesskærmen op når skiven skal afmonteres. Tryk på spindellåsen, så skiven ikke kan rotere, og anvend topnøglen til at løsne sekskantbolten ved at dreje den mod uret. Afmonter nu sekskantbolten, den ydre flange og skiven. (Bemærk: Afmonter ikke den indre flange, ringen og O-ringen.)

For at montere skiven, følges afmonteringsanvisningen i modsat rækkefølge. (Fig. 8)

⚠ FORSIGTIG:

- Sørg for at stramme sekskantbolten godt til. Hvis sekskantbolten ikke strammes godt til, kan det resultere i alvorlig tilskadekomst. Anvend den medfølgende topnøgle til at sikre fastspændingen.
- Anvend altid kun de indre og ydre flanger, der følger med denne maskine.
- Sænk altid beskyttelsesskærmen efter skiveskift.

Fastgøring af arbejdsemner (Fig. 9)

Ved at dreje skruestikgrebet mod uret og knipse skruemøtrikken til venstre, bliver skruestikken frigjort fra skruegangen og kan bevæges hurtigt ind og ud. For at spænde arbejdsemner fast, skal skal man skubbe skruestikgrebet, indtil skruestikpladen berører emnet. Knips skruemøtrikken til højre og drej skruestikgrebet med uret for at holde emnet godt fast.

⚠ FORSIGTIG:

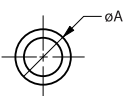
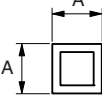
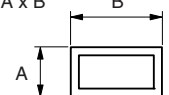
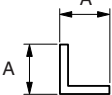
- Sæt altid skruestikmøtrikken helt til højre, når emnet skal holdes på plads. Hvis dette ikke gøres, kan det medføre, at emnet ikke sidder godt nok fast. Derved kan emnet blive skubbet ud eller skiven kan brække, hvilket er farligt.

Når skiven er ved at være nedslidt, skal der sættes en afstandsklods af et robust, ikke-brændbart materiale bagved emnet, som vist på illustrationen. Den nedslidte skive kan anvendes mere effektivt ved at bruge midterpunktet i skivens yderkant, når emnet skal skæres. (Fig. 10)

Når der skæres arbejdsemner, som er over 65 cm brede, skal man anbringe et lige stykke træ (afstandsklods) på over 190 mm (længde) x 45 mm (bredde) som vist på illustrationen. Fastgør denne afstandsklods med skruer gennem hullerne i ledepladen. (Fig. 11)

Skærekapacitet

Den maksimale skærekapacitet afhænger af snitvinklen og arbejdsemnets form. Anvendelig skivediameter: 355 mm

Arbejdsemnets form				
Snitvinkel				
90°	115 mm	119 mm	115 mm x 130 mm 102 mm x 194 mm 70 mm x 233 mm	137 mm
45°	115 mm	106 mm	115 mm x 103 mm	100 mm

For maskiner med underdæksel (Fig. 14)

For at fjerne opsamlet støv fra underdækslet, anbringes maskinen med siden opad og underdækslet åbnes ved at man trækker i det, efter at vingebolten er fjernet som vist på illustrationen. Sørg for at lukke og fastgøre underdækslet med vingebolten, når støvet er fjernet.

Når maskinen skal bæres (Fig. 15)

Bøj værktøjshovedet til den position, hvor kæden kan sættes på grogen på grebet.

Hvis der anvendes en afstandsklods, der er lidt smallere end emnet, som vist på illustrationen, kan skiven anvendes på en mere økonomisk måde. (Fig. 12)

Lange arbejdsemner skal understøttes af blokke af et ikke-brændbart materiale på begge sider, så de bliver plane med basens top. (Fig. 13)

ANVENDELSE

Hold godt fast i grebet. Tænd for maskinen og vent, indtil skiven har nået fuld hastighed, før den forsigtigt sænkes ned i snittet. Når skiven berører emnet, skal der gradvist lægges mere og mere tryk på grebet for at udføre skæringen. Når skæringen er udført, skal der slukkes for maskinen. VENT TIL SKIVEN ER HELT STOPPET, inden grebet igen sættes i den fuldt oprejste stilling.

⚠ FORSIGTIG:

- Det rigtige tryk på grebet under arbejdet og den maksimale skæreevne kan fastslås af mængden af gnister, der frembringes under arbejdet. Trykket på grebet skal justeres således, at der frembringes den maksimale mængde gnister. Skæringen må ikke fremskyndes ved at man lægger for meget tryk på grebet. Dette kan medføre reduceret skæreeffektivitet, for tidlig nedslidning af skiven, såvel som risiko for beskadigelse af maskinen, skiven og arbejdsemnet.

VELLIGHOLDELSE

⚠ FORSIGTIG:

- Sørg altid for at maskinen er slukket og netstikket er trukket ud, før der udføres eftersyn eller vedligeholdelse.
- Anvend aldrig benzin, rensebenzin, fortynder, alkohol og lignende. Resultatet kan blive misfarvning, deformation eller revner.

Udskiftning af kulbørster (Fig. 16 og 17)

Fjern og inspicer kulbørsterne med jævne mellemrum. Skift dem ud, hvis de er slidt ned til slidgrænsen. Hold kulbørsterne rene, så de frit kan glide ind i holderne. Begge kulbørster skal skiftes ud samtidigt. Brug kun identiske kulbørster.

Brug en skruetrækker til at udskifte kulholderbørsterne. Tag de slidte kulbørster ud, sæt de nye i, og sæt kulholderbørsterne på.

For at opretholde produktets SIKKERHED og PÅLIDELIGHED bør reparation, vedligeholdelse og justering kun udføres af et Makita Service Center med anvendelse af original Makita udskiftningsdele.

⚠ FORSIGTIG:

- Dette udstyr og tilbehør bør anvendes sammen med Deres Makita maskine, sådan som det er beskrevet i denne brugsanvisning. Anvendelse af andet udstyr eller tilbehør kan udgøre en risiko for personskade. Tilbehøret bør kun anvendes til det, det er beregnet til.

Hvis De behøver hjælp ved valg af tilbehør eller ønsker yderligere informationer, bedes De kontakte Deres lokale Makita service center.

- Slibende afstukket skive
- Topnøgle 17

BEMÆRK:

- Nogle ting på denne liste kan være inkluderet i værktøjsspakken som standardtilbehør. Det kan være forskellige fra land til land.

ENG905-1

Lyd

Det typiske A-vægtede støjniveau bestemt i overensstemmelse med EN61029:

Lydtryksniveau (L_{pA}): 99 dB (A)
 Lydeffektniveau: (L_{WA}): 109 dB (A)
 Usikkerhed (K): 3 dB (A)

Bør høreværn

ENG900-1

Vibration

Vibrations totalværdi (tre-aksial vektorsum) bestemt i overensstemmelse med EN61029:

Vibrationsafgivelse (a_{h}): 4,0 m/s²
 Usikkerhed (K): 1,5 m/s²

ENG901-1

- Den angivne vibrationsemissionsværdi er blevet målt i overensstemmelse med standardtestmetoden og kan anvendes til at sammenligne en maskine med en anden.
- Den angivne vibrationsemissionsværdi kan også anvendes i en preliminær eksponeringsvurdering.

⚠ ADVARSEL:

- Vibrationsemissionen under den faktiske anvendelse af maskinen kan være forskellig fra den erklærede emissionsværdi, afhængigt af den måde, hvorpå maskinen anvendes.
- Sørg for at identificere de sikkerhedsforskrifter til beskyttelse af operatøren, som er baseret på en vurdering af eksponering under de faktiske brugsforhold (med hensyntagen til alle dele i brugscyklen, som f.eks. de gange, hvor maskinen er slukket og når den kører i tomgang i tilgift til afbrydertiden).

Kun for lande i Europa**EU-konformitetserklæring**

Vi, Makita Corporation, erklærer, som den ansvarlige fabrikant, at den (de) følgende Makita maskine(r):

Maskinens betegnelse: Hurtigafforter

Model nr./Type: 2414NB

er af serieproduktion og

opfylder betingelserne i de følgende EU-direktiver:

2006/42/EC

og er fremstillet i overensstemmelse med de følgende standarder eller standardiserede dokumenter:

EN61029

Den tekniske dokumentation opbevares af vores autoriserede repræsentant i Europa, som er:

Makita International Europe Ltd.

Michigan Drive, Tongwell,

Milton Keynes, Bucks MK15 8JD, England

30.1.2009



Tomoyasu Kato
Direktør

Makita Corporation
3-11-8, Sumiyoshi-cho,
Anjo, Aichi, 446-8502, JAPAN

Περιγραφή γενικής άποψης

1 Βάση	15 Δακτύλιος	27 Παραπάνω από 190 χιλιοστά
2 Τρύπες για μπουλόνια	16 Αξόνιο	σε μακρύ
3 Κουμπί ασφάλισης/Κουμπί	17 Τροχός αποκοπής	28 Διάμετρος αντικειμένου
απασφάλισης	18 Εξωτερική φλάντζα	εργασίας
4 Σκανδάλη διακόπτης	19 Εξαγωνικό μπουλόνι	29 Πλάτος τάκου απόστασης
5 Βίδα	20 Πλάκα μέγκενης	30 Μέγκενη
6 Προφυλακτήρας σπινθήρων	21 Παξιμάδι μέγκενης	31 Τάκοι
7 Κοίλο κλειδί	22 Χειρολαβή μέγκενης	32 Υποκάλυμμα
8 Πλάκα οδηγός	23 Τάκος ρύθμισης απόστασης	33 Μπουλόνι με πτερύγιο
9 Μετακίνηση	24 Ίσιο κομμάτι ξύλου (Τάκος	34 Σημάδι ορίου
10 Εξαγωνικά μπουλόνια	ρύθμισης απόστασης)	35 Κατσαβίδι
11 Εξάρτημα κλειδώματος	25 Παραπάνω από 45 χιλιοστά	36 Καπάκι θήκης καρβουνάκι
άξονα	σε μακρύ	
12 Προστατευτικό ασφάλειας	26 Παραπάνω από 65 χιλιοστά	
13 Στρογγυλός δακτύλιος	σε μακρύ	
14 Εσωτερική φλάντζα		

ΤΕΧΝΙΚΑ ΧΑΡΑΚΤΗΡΙΣΤΙΚΑ**Μοντέλο****2414NB**

Διάμετρος τροχού 355 χιλιοστά

Διάμετρος τρύπας 25,4 χιλιοστά


Ταχύτητα χωρίς φορτίο (min⁻¹) 3.800

Διαστάσεις (Μ x Π x Υ)

Με υποκάλυμμα 500 χιλιοστά x 280 χιλιοστά x 620 χιλιοστά

Βάρος καθαρό

Με προστατευτικό ασφαλείας Ευρωπαϊκού τύπου και κάτω κάλυμμα 18,4 Χγρ

Τάξη ασφάλειας  II

- Λόγω του συνεχιζόμενου προγράμματος έρευνας και ανάπτυξης, οι παρούσες προδιαγραφές υπόκεινται σε αλλαγή χωρίς προειδοποίηση.
- Τα τεχνικά χαρακτηριστικά μπορεί να διαφέρουν από χώρα σε χώρα.
- Βάρος σύμφωνα με διαδικασία ΕΡΤΑ 01/2003

ENE007-2

Προοριζόμενη χρήση

Το εργαλείο προορίζεται για κοπές σε λιθοδομή και σιδερένια υλικά με τον κατάλληλο αποξεστικό, αποκοπτικό τροχό. Να τηρείτε όλους τους νόμους και κανονισμούς της χώρας σας σχετικά με σκόνης και υγιεινής και ασφαλείας στους χώρους εργασίας.

ENF002-2

Ρευματοδότηση

Το μηχάνημα πρέπει να συνδέεται μόνο σε παροχή ρεύματος της ίδιας τάσης με αυτή που αναφέρεται στην πινακίδα κατασκευαστού και μπορεί να λειτουργήσει μόνο με εναλλασσόμενο μονοφασικό ρεύμα. Τα μηχανήματα αυτά έχουν διπλή μόνωση και κατά συνέπεια, μπορούν να συνδεθούν σε ακροδέκτες χωρίς σύρμα γείωσης.

GEA010-1

Γενικές προειδοποιήσεις ασφαλείας για το ηλεκτρικό εργαλείο

⚠ ΠΡΟΕΙΔΟΠΟΙΗΣΗ Διαβάστε όλες τις προειδοποιήσεις ασφαλείας και όλες τις οδηγίες. Η μη τήρηση των προειδοποιήσεων και οδηγιών ενδέχεται να καταλήξει σε ηλεκτροπληξία, πυρκαγιά ή/και σοβαρό τραυματισμό.

Φυλάξτε όλες τις προειδοποιήσεις και τις οδηγίες για μελλοντική παραπομπή.

ΠΡΟΣΘΕΤΕΣ ΔΙΑΤΑΞΕΙΣ ΑΣΦΑΛΕΙΑΣ ΓΙΑ ΤΟ ΕΡΓΑΛΕΙΟ

1. Φοράτε προστατευτικά γυαλιά. Επίσης φοράτε υπασιδείς κατά την διάρκεια μακρών περιόδων λειτουργίας.
2. Χρησιμοποιείτε μόνο τους λειαντικούς τροχούς που συνιστώνται από τον κατασκευαστή και έχουν μέγιστη ταχύτητα λειτουργίας τουλάχιστον ίση με το «Χωρίς φορτίο ΣΑΑ» που σημειώνεται στην πινακίδα του εργαλείου. Χρησιμοποιείτε μόνο ενισχυμένους με ίνες υάλου τροχούς αποκοπής.
3. Ελέγξτε το τροχό για ρωγμές ή ζημιά πριν τη λειτουργία. Αντικαταστήστε τροχό με ρωγμές ή ζημιές αμέσως.
4. Στερεώστε το τροχό προσεκτικά.
5. Χρησιμοποιείτε μόνο φλάντζες ειδικές για το εργαλείο αυτό.
6. Προσέχετε να μη κάνετε ζημιά στο αξόνιο, φλάντζες (ειδικά στην επιφάνεια εγκατάστασης) ή στο μπουλόνι, ή ο ίδιος ο τροχός μπορεί να σπάσει.
7. Κρατάτε τους προφυλακτήρες στη θέση τους και σε καλή κατάσταση.
8. Κρατάτε τη χειρολαβή σταθερά.
9. Κρατάτε τα χέρια σας μακριά από τα περιστρεφόμενα μέρη.
10. Βεβαιωθείτε ότι ο τροχός δεν βρίσκεται σε επαφή με το αντικείμενο εργασίας πριν ανοίξετε το διακόπτη.
11. Πριν χρησιμοποιήσετε το εργαλείο σε ένα πραγματικό αντικείμενο εργασίας, αφήστε το να λειτουργήσει για αρκετά λεπτά πρώτα. Παρακολουθείστε για τρεμουλιίσματα ή υπερβολικές δονήσεις που μπορεί να προκαλούνται από κακή τοποθέτηση ή κακή εξισορρόπηση του τροχού.
12. Προσέχετε για ιπτάμενους σπινθήρες κατά τη λειτουργία. Μπορεί να προκαλέσουν τραυματισμό ή να ανάψουν εύφλεκτα υλικά.
13. Αφαιρέστε υλικά ή απορρίματα από το χώρο που μπορεί να αναφλεγούν από τους σπινθήρες. Βεβαιωθείτε ότι κανείς δεν βρίσκεται στη τροχιά των σπινθήρων. Κρατάτε διαθέσιμο κοντά, ένα κατάλληλο, φορτισμένο πυροσβεστήρα.
14. Χρησιμοποιείτε μόνο τη κόψη του τροχού. Ποτέ μη χρησιμοποιείτε τη πλευρική επιφάνεια.
15. Εάν ο τροχός σταματάει κατά τη λειτουργία, κάνει αλλόκοτο θόρυβο ή αρχίζει να δονείται, σβήστε το εργαλείο αμέσως.
16. Πάντοτε σβήνετε το εργαλείο και περιμένετε να σταματήσει τελείως ο τροχός πριν αφαιρέσετε, στερεώσετε το αντικείμενο εργασίας, χειριστείτε τη μέγγενη, αλλάξετε θέση εργασίας, γωνία ή τον ίδιο το τροχό.
17. Μη πιάνετε το αντικείμενο εργασίας αμέσως μετά τη λειτουργία γιατί είναι εξαιρετικά θερμό και μπορεί να σας προκαλέσει εγκαύματα.
18. Αποθηκεύετε τροχούς μόνο σε χώρους χωρίς υγρασία.

ΦΥΛΑΞΕΤΕ ΑΥΤΕΣ ΤΙΣ ΟΔΗΓΙΕΣ.

Ασφάλιση της αποκοπής (Εικ. 1)

Το εργαλείο αυτό πρέπει να είναι βιδωμένο με δύο μπουλόνια σε μια επίπεδη και σταθερή επιφάνεια χρησιμοποιώντας τις τρύπες για μπουλόνια που παρέχονται στη βάση του εργαλείου. Αυτό θα συμβάλλει στην αποφυγή της εκτροπής του εργαλείου και πιθανού προσωπικού τραυματισμού.

ΠΕΡΙΓΡΑΦΗ ΛΕΙΤΟΥΡΓΙΑΣ

⚠ ΠΡΟΣΟΧΗ:

- Πάντοτε βεβαιώνετε ότι το εργαλείο είναι σβηστό και αποσυνδεδεμένο από το ρεύμα πριν ρυθμίσετε ή ελέγξετε κάποια λειτουργία στο εργαλείο.

Λειτουργία διακόπτη (Εικ. 2)

⚠ ΠΡΟΣΟΧΗ:

- Πριν συνδέσετε το εργαλείο στο ρεύμα, να ελέγχετε πάντα να δείτε ότι η σκανδάλη διακόπτης ενεργοποιείται κανονικά και επιστρέφει στη θέση "OFF" όταν ελευθερώνεται.

Για εργαλείο με κουμπι ασφάλισης

Για να ξεκινήσετε το εργαλείο, απλά πιέστε τη σκανδάλη διακόπτη. Για να σταματήσετε, αφήστε τη σκανδάλη διακόπτη. Για συνεχόμενη λειτουργία, πατήστε τη σκανδάλη διακόπτη και κατόπιν πατήστε το κουμπι ασφάλισης. Για να βγάλετε το εργαλείο από την ασφαλισμένη θέση, πιέστε πλήρως τη σκανδάλη διακόπτη και κατόπιν αφήστε την.

Για εργαλείο με κουμπι απασφάλισης

Για να προληφθεί τυχαίο τράβηγμα της σκανδάλης, παρέχεται ένα κουμπι απασφάλισης. Για να ξεκινήσει το εργαλείο, πατήστε μέσα το κουμπι απασφάλισης και τραβήξτε τη σκανδάλη. Για να σταματήσετε, αφήστε τη σκανδάλη διακόπτη.

Προφυλακτήρας σπινθήρων (Εικ. 3)

Ο προφυλακτήρας σπινθήρων τοποθετείται από το εργοστάσιο με τη χαμηλότερη άκρη του να εφάπτεται στη βάση. Η λειτουργία του εργαλείου σε αυτή τη θέση θα έχει ως αποτέλεσμα να πεταχτούν πολλοί σπινθήρες. Χαλαρώστε τη βίδα και ρυθμίστε τον προφυλακτήρα σπινθήρων σε μια θέση όπου θα πετάνονται ελάχιστοι σπινθήρες.

Διάστημα μεταξύ μέγκενης και πλάκας οδηγού

(Εικ. 4 και 5)

Η αρχική απόσταση η διάστημα μεταξύ της μέγκενης και της πλάκας οδηγού είναι 0 – 170 χιλιοστά. Αν η εργασία σας απαιτεί πλατύτερη απόσταση ή διάστημα, προχωρήστε ως ακολούθως για να αλλάξετε την απόσταση ή το διάστημα. Αφαιρέστε τα δύο εξαγωνικά μπουλόνια που στερεώνουν την πλάκα οδηγού. Μετακινήστε την πλάκα οδηγού όπως φαίνεται στην εικόνα και στερεώστε τη με τα εξαγωνικά μπουλόνια. Οι ακόλουθες ρυθμίσεις διαστήματος είναι δυνατές: 35 – 205 χιλιοστά
70 – 240 χιλιοστά

⚠ ΠΡΟΣΟΧΗ:

- Έχετε υπόψη σας ότι στενά αντικείμενα εργασίας μπορεί να μη στερεώνονται με ασφάλεια όταν χρησιμοποιείτε τις ρυθμίσεις πλατυτέρων διαστημάτων.

Ρύθμιση για επιθυμητή γωνία κοπής (Εικ. 6)

Για να αλλάξετε τη γωνία κοπής, ακολουθήστε τη παρακάτω διαδικασία:

1. Χαλαρώστε τα δύο εξαγωνικά μπουλόνια.
2. Ρυθμίστε την πλάκα οδηγού στην επιθυμητή γωνία ($0^\circ - 45^\circ$).
3. Για πιο ακριβή γωνία, χρησιμοποιήστε μοιρογνωμόνιο ή τριγωνικό χάρακα. Διατηρήστε τη λαβή προς τα κάτω ώστε ο τροχός αποκοπής να επεκτείνεται στη βάση. Ταυτόχρονα, ρυθμίστε τη γωνία μεταξύ της πλάκας οδηγού και του τροχού αποκοπής με μοιρογνωμόνιο ή τριγωνικό χάρακα.
4. Σφίξτε καλά τα εξαγωνικά μπουλόνια. Αυτή τη στιγμή, βεβαιωθείτε ότι ο χάρακας οδηγός δεν μετακινείται.
5. Ελέγξτε ξανά τη γωνία.

⚠️ ΠΡΟΣΟΧΗ:

- Μην εκτελείτε ποτέ λοξοτμήσεις όταν η πλάκα οδηγός είναι ρυθμισμένη στη θέση 35 – 205 χιλιοστά ή 70 – 240 χιλιοστά.

ΠΑΡΑΤΗΡΗΣΗ:

- Η κλίμακα στην πλάκα οδηγό είναι μια πρόχειρη ένδειξη.

ΣΥΝΑΡΜΟΛΟΓΗΣΗ

⚠️ ΠΡΟΣΟΧΗ:

- Πάντοτε βεβαιώνετε ότι το εργαλείο είναι σβηστό και αποσυνδεδεμένο από το ρεύμα πριν εκτελέσετε οποιαδήποτε εργασία στο εργαλείο.

Αφαίρεση ή τοποθέτηση τροχού αποκοπής (Εικ. 7)

Για να αφαιρέσετε τον τροχό, σηκώστε τον οδηγό ασφάλειας. Πιέστε το εξάρτημα κλειδώματος άξονα έτσι ώστε ο τροχός να μην μπορεί να περιστραφεί και χρησιμοποιήστε το κοίλο κλειδί για να χαλαρώσετε το εξαγωνικό μπουλόνι στρίβοντάς το αριστερόστροφα.

Μετά, αφαιρέστε το εξαγωνικό μπουλόνι, την εξωτερική φλάντζα και τον τροχό. (Σημείωση: Μην αφαιρέσετε την εσωτερική φλάντζα, το δακτύλιο και το στρογγυλό δακτύλιο.)

Για να τοποθετήσετε τον τροχό, ακολουθήστε τις διαδικασίες αφαίρεσης αντίστροφα. (Εικ. 8)

⚠️ ΠΡΟΣΟΧΗ:

- Βεβαιώνετε ότι σφίγγετε το εξαγωνικό μπουλόνι γερά. Ανεπαρκές σφίξιμο του εξαγωνικού μπουλονιού μπορεί να προκαλέσει σοβαρό τραυματισμό. Χρησιμοποιήστε το κοίλο κλειδί που παρέχεται για να βοηθήσει στην επιβεβαίωση κατάλληλου σφίξιματος.
- Να χρησιμοποιείτε πάντοτε μόνο την κατάλληλη εσωτερική και εξωτερική φλάντζα που παρέχονται με αυτό το εργαλείο.
- Να χαμηλώνετε πάντοτε τον οδηγό ασφάλειας αφού αντικαταστήσετε τον τροχό.

Στερέωση αντικειμένων εργασίας (Εικ. 9)

Αν στρίψετε τη χειρολαβή της μέγκενης αριστερόστροφα και μετά γυρίσετε αριστερά το παξιμάδι της μέγκενης, η μέγκενη ελευθερώνεται από το σπειρωμα του άξονα και μπορεί να κινηθεί γρήγορα μέσα και έξω.

Για να πιάσετε τα αντικείμενα εργασίας, σπρώξτε τη χειρολαβή της μέγκενης μέχρι η πλάκα της μέγκενης να έρθει σε επαφή με το αντικείμενο εργασίας. Γυρίστε το παξιμάδι της μέγκενης στα δεξιά και μετά γυρίστε τη χειρολαβή της μέγκενης δεξιόστροφα για να συγκρατήσετε με ασφάλεια το αντικείμενο εργασίας.

⚠️ ΠΡΟΣΟΧΗ:

- Να βάζετε πάντοτε το παξιμάδι της μέγκενης τέρμα δεξιά όταν στερεώνετε το αντικείμενο εργασίας. Διαφορετικά μπορεί το αντικείμενο εργασίας να μη στερεωθεί επαρκώς. Αυτό μπορεί να προκαλέσει εκτόξευση του αντικειμένου εργασίας ή επικίνδυνη ζημιά του τροχού.

Όταν ο τροχός αποκοπής έχει φθαρεί σημαντικά, χρησιμοποιήστε ένα τάκο ρύθμισης απόστασης από σκληρό, μη εύφλεκτο υλικό πίσω από το αντικείμενο εργασίας, όπως φαίνεται στην εικόνα. Μπορείτε να αξιοποιήσετε πιο αποδοτικά το φθαρμένο τροχό χρησιμοποιώντας το μεσαίο σημείο στην περιφέρεια του τροχού για να κόψετε το αντικείμενο εργασίας. (Εικ. 10)

Όταν κόβετε σε γωνία κομμάτια που είναι παραπάνω από 65 χιλιοστά σε πλάτος, συνάψτε ένα ίσιο κομμάτι ξύλου (Τάκο ρύθμισης απόστασης) παραπάνω από 190 χιλιοστά σε μήκος x 45 χιλιοστά σε πλάτος για να οδηγήσει την πλάκα όπως φαίνεται στην εικόνα. Συνάψτε αυτόν τον τάκο ρύθμισης της απόστασης με βίδες διαμέσου των τρυπών στην πλάκα οδηγός. (Εικ. 11)

Αν χρησιμοποιήσετε ένα τάκο ρύθμισης απόστασης λίγο στενότερο από το αντικείμενο εργασίας όπως φαίνεται στην εικόνα, μπορεί να αξιοποιήσετε τον τροχό οικονομικότερα. (Εικ. 12)

Μακριά αντικείμενα εργασίας πρέπει να υποστηρίζονται από τάκουσ μη εύφλεκτου υλικού σε οποιαδήποτε πλευρά έτσι ώστε να είναι ευθυγραμμισμένα με την κορυφή της βάσης. (Εικ. 13)

ΛΕΙΤΟΥΡΓΙΑ

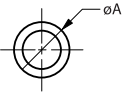
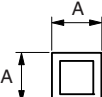
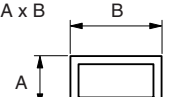
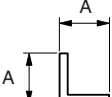
Κρατάτε τη χειρολαβή σταθερά. Ενεργοποιήστε το εργαλείο και περιμένετε μέχρι ο τροχός να αποκτήσει πλήρη ταχύτητα πριν τον χαμηλώσετε απαλά στο κόψιμο. Όταν ο τροχός κάνει επαφή με το αντικείμενο εργασίας, πιέστε βαθμιαία προς τα κάτω τη χειρολαβή για να εκτελέσετε την κοπή. Όταν το κόψιμο συμπληρωθεί, σβήστε το εργαλείο και ΠΕΡΙΜΕΝΕΤΕ ΜΕΧΡΙ Ο ΤΡΟΧΟΣ ΝΑ ΣΤΑΜΑΤΗΣΕΙ ΤΕΛΕΙΩΣ πριν επαναφέρετε τη χειρολαβή στην πλήρως ανασπικμένη θέση.

⚠️ ΠΡΟΣΟΧΗ:

- Η σωστή πίεση στη χειρολαβή κατά το κόψιμο και η μέγιστη επάρκεια κοπής μπορούν να περιοριστούν από την ποσότητα των σπινθήρων που παράγονται κατά το κόψιμο. Η πίεσή σας στη χειρολαβή πρέπει να ρυθμιστεί έτσι ώστε να παράγει τη μέγιστη ποσότητα σπινθήρων. Μη ζορίζετε το κόψιμο εφαρμόζοντας υπερβολική πίεση στη χειρολαβή. Αυτό μπορεί να προκαλέσει μειωμένη επάρκεια κοπής, πρόωρη φθορά τροχού, καθώς και πιθανή βλάβη του εργαλείου, του τροχού αποκοπής ή του αντικειμένου εργασίας.

Ικανότητα κοπής

Η μέγιστη ικανότητα κοπής διαφέρει ανάλογα με τη γωνία κοπής και το σχήμα του αντικειμένου εργασίας. Εφαρμόσιμη διάμετρος τροχού: 355 χιλιοστά

Αντικείμενο εργασίας Γωνία κοπής				
90°	115 χιλιοστά	119 χιλιοστά	115 χιλιοστά x 130 χιλιοστά 102 χιλιοστά x 194 χιλιοστά 70 χιλιοστά x 233 χιλιοστά	137 χιλιοστά
45°	115 χιλιοστά	106 χιλιοστά	115 χιλιοστά x 103 χιλιοστά	100 χιλιοστά

Για εργαλεία με το υποκάλυμμα (Εικ. 14)

Για να αφαιρέσετε τη συγκεντρωμένη σκόνη από το υποκάλυμμα, τοποθετήστε το εργαλείο με την πλευρά προς τα επάνω και τραβήξτε το υποκάλυμμα να ανοίξει αφού αφαιρέσετε το μπουλόνι με πτερύγιο όπως φαίνεται στην εικόνα. Βεβαιωθείτε ότι κλείσατε και ασφαλίσατε το υποκάλυμμα με το μπουλόνι με πτερύγιο μετά την αφαίρεση της σκόνης.

Μεταφορά του εργαλείου (Εικ. 15)

Διπλώστε προς τα κάτω την κεφαλή του εργαλείου στη θέση όπου μπορείτε να προσαρτήσετε την αλυσίδα στο αγκίστρι της χειρολαβής.

ΣΥΝΤΗΡΗΣΗ

⚠️ ΠΡΟΣΟΧΗ:

- Πάντοτε βεβαιώνετε ότι το εργαλείο είναι σβηστό και αποσυνδεδεμένο πριν επιχειρήσετε να εκτελέσετε επιθεώρηση ή συντήρηση.
- Μην χρησιμοποιείτε ποτέ βενζίνη, πετρελαϊκό αιθέρα, διαλυτικό, αλκοόλη ή παρόμοιες ουσίες. Ενδέχεται να προκληθεί αποχρωματισμός παραμόρφωση ή ρωγμές.

Αντικατάσταση καρβουνακιών (Εικ. 16 και 17)

Να αφαιρείτε και να ελέγχετε τακτικά τα καρβουνάκια. Να αντικαθιστάτε τα καρβουνάκια όταν έχουν φθαρεί έως το σημάδι ορίου. Να διατηρείτε τα καρβουνάκια καθαρά και ελεύθερα για να γλιστρούν στις υποδοχές. Πρέπει να αλλάζετε ταυτόχρονα και τα δύο καρβουνάκια. Να χρησιμοποιείτε μόνο καρβουνάκια ίδιου τύπου. Με τη βοήθεια ενός κατσαβιδιού, βγάλτε τα καπάκι θήκης καρβουνακιών για τα καρβουνάκια. Βγάλτε τα φθαρμένα καρβουνάκια, τοποθετήστε τα καινούργια και ασφαλίστε τα καπάκι θήκης καρβουνακιών για τα καρβουνάκια.

Για την διατήρηση της ΑΣΦΑΛΕΙΑΣ και ΑΞΙΟΠΙΣΤΙΑΣ του προϊόντος, επισκευές, οποιαδήποτε άλλη συντήρηση ή ρύθμιση πρέπει να εκτελούνται από τα Εξουσιοδοτημένα Κέντρα Εξυπηρέτησης της Μάκιτα, με χρήση πάντοτε ανταλλακτικών Μάκιτα.

ΠΡΟΑΙΡΕΤΙΚΑ ΕΞΑΡΤΗΜΑΤΑ

⚠️ ΠΡΟΣΟΧΗ:

- Αυτά τα εξαρτήματα ή προσαρτήματα συνιστώνται για χρήση με το εργαλείο Μάκιτα που περιγράφηκε στις οδηγίες αυτές. Η χρήση οτιδήποτε άλλων εξαρτημάτων ή προσαρτημάτων μπορεί να προκαλέσει κίνδυνο τραυματισμού σε άτομα. Χρησιμοποιείτε τα εξαρτήματα ή προσαρτήματα μόνο για την χρήση που προορίζονται.

Εάν χρειάζεστε οποιαδήποτε βοήθεια για περισσότερες πληροφορίες σε σχέση με αυτά τα εξαρτήματα, αποτανθείτε στο τοπικό σας κέντρο εξυπηρέτησης Μάκιτα.

- Λειαντικό τροχό αποκοπής
- Κοίλο κλειδί 17

ΠΑΡΑΤΗΡΗΣΗ:

- Μερικά στοιχεία στη λίστα μπορεί να συμπεριλαμβάνονται στη συσκευασία εργαλείου ως στάνταρ εξαρτήματα. Μπορεί να διαφέρουν ανάλογα με τη χώρα.

Θορύβος

Το τυπικό Α επίπεδο μετρημένου θορύβου καθορίζεται σύμφωνα με το EN61029:

Στάθμη πίεσης ήχου (L_{pA}): 99 dB (A)

Στάθμη δύναμης ήχου (L_{WA}): 109 dB (A)

Αβεβαιότητα (K): 3 dB (A)

Φοράτε ωτοασπίδες

ENG900-1

Κραδασμός

Η ολική τιμή δόνησης (άθροισμα τρι-αξονικού διανύσματος) καθορίζεται σύμφωνα με το EN61029:

Εκπομπή δόνησης (a_h): 4,0 m/s²

Αβεβαιότητα (K): 1,5 m/s²

ENG901-1

- Η δηλωμένη τιμή εκπομπής κραδασμών έχει μετρηθεί σύμφωνα με την πρότυπη μέθοδο δοκιμής και μπορεί να χρησιμοποιηθεί για τη σύγκριση ενός εργαλείου με άλλο.
- Η δηλωμένη τιμή εκπομπής κραδασμών μπορεί να χρησιμοποιηθεί και στην προκαταρκτική αξιολόγηση έκθεσης.

⚠ ΠΡΟΕΙΔΟΠΟΙΗΣΗ:

- Η εκπομπή κραδασμών κατά τη χρήση του ηλεκτρικού εργαλείου σε πραγματικές συνθήκες μπορεί να διαφέρει από τη δηλωμένη τιμή εκπομπής ανάλογα με τον τρόπο χρήσης του εργαλείου.
- Φροντίστε να λάβετε τα κατάλληλα μέτρα προστασίας του χειριστή βάσει υπολογισμού της έκθεσης σε πραγματικές συνθήκες χρήσης (λαμβάνοντας υπόψη όλες τις συνιστώσες του κύκλου λειτουργίας όπως τους χρόνους που το εργαλείο είναι εκτός λειτουργίας και όταν βρίσκεται σε αδρανή λειτουργία πέραν του χρόνου ενεργοποίησης).

Μόνο για χώρες της Ευρώπης**Δήλωση Συμμόρφωσης ΕΚ**

Η Makita Corporation, ως ο υπεύθυνος κατασκευαστής, δηλώνει ότι το/τα ακόλουθο(α) μηχανήμα(τα) της Makita:

Χαρακτηρισμός μηχανήματος: Φορητός κόφτης

Αρ. μοντέλου/ Τύπος: 2414NB

είναι εν σειρά παραγωγή και

συμμορφώνονται με τις ακόλουθες Ευρωπαϊκές Οδηγίες:

2006/42/EK

και κατασκευάζονται σύμφωνα με τα ακόλουθα πρότυπα ή έγγραφα τυποποίησης:

EN61029

Η τεχνική τεκμηρίωση φυλάσσεται από τον εξουσιοδοτημένο εκπρόσωπό μας στην Ευρώπη, δηλαδή τη

Makita International Europe Ltd.

Michigan Drive, Tongwell,

Milton Keynes, Bucks MK15 8JD, England

(Αγγλία)

30.1.2009



Tomoyasu Kato

Διευθυντής

Makita Corporation

3-11-8, Sumiyoshi-cho,

Anjo, Aichi, 446-8502, JAPAN

Makita Corporation
Anjo, Aichi, Japan

884151H978

www.makita.com

IDE